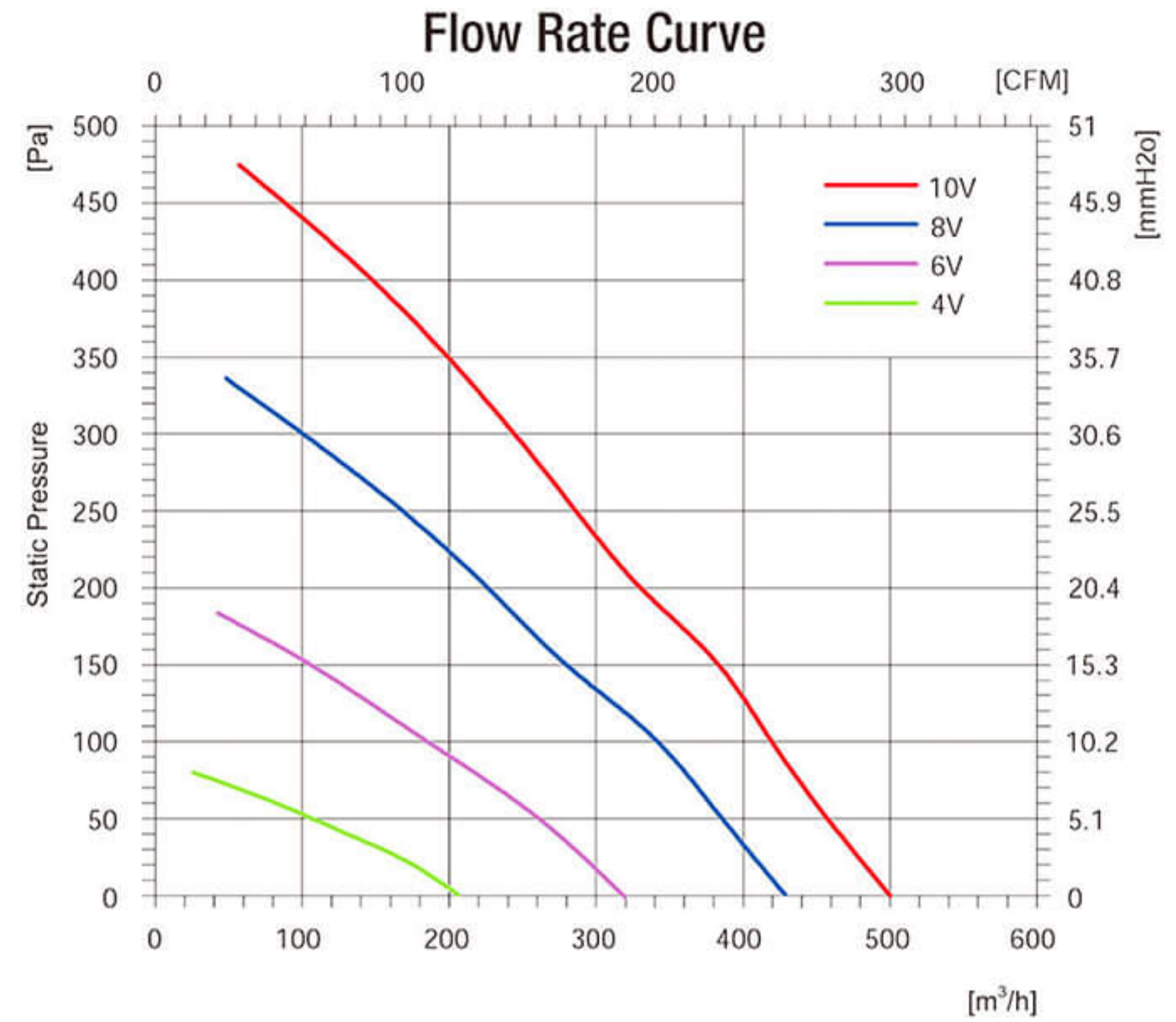
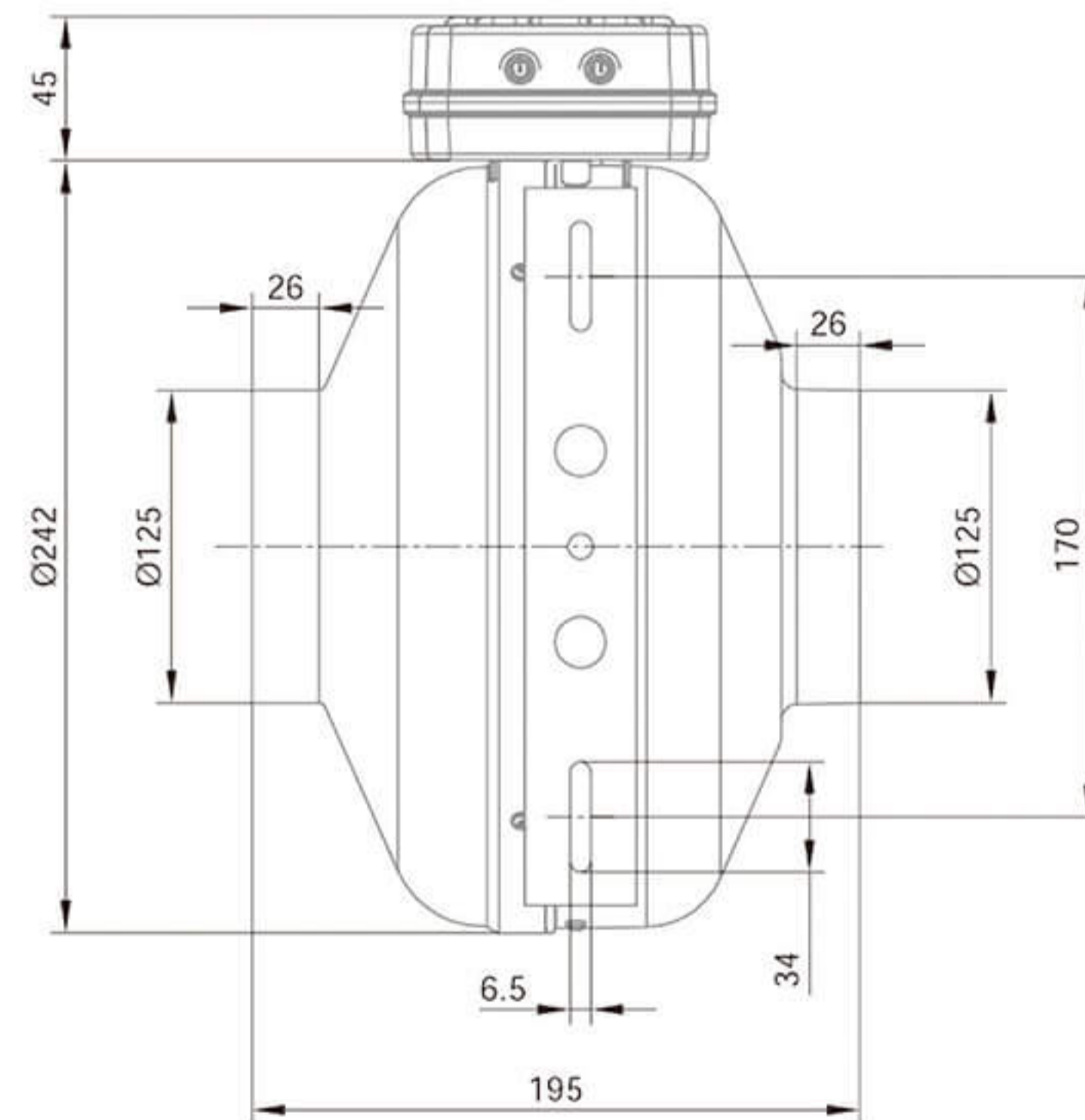
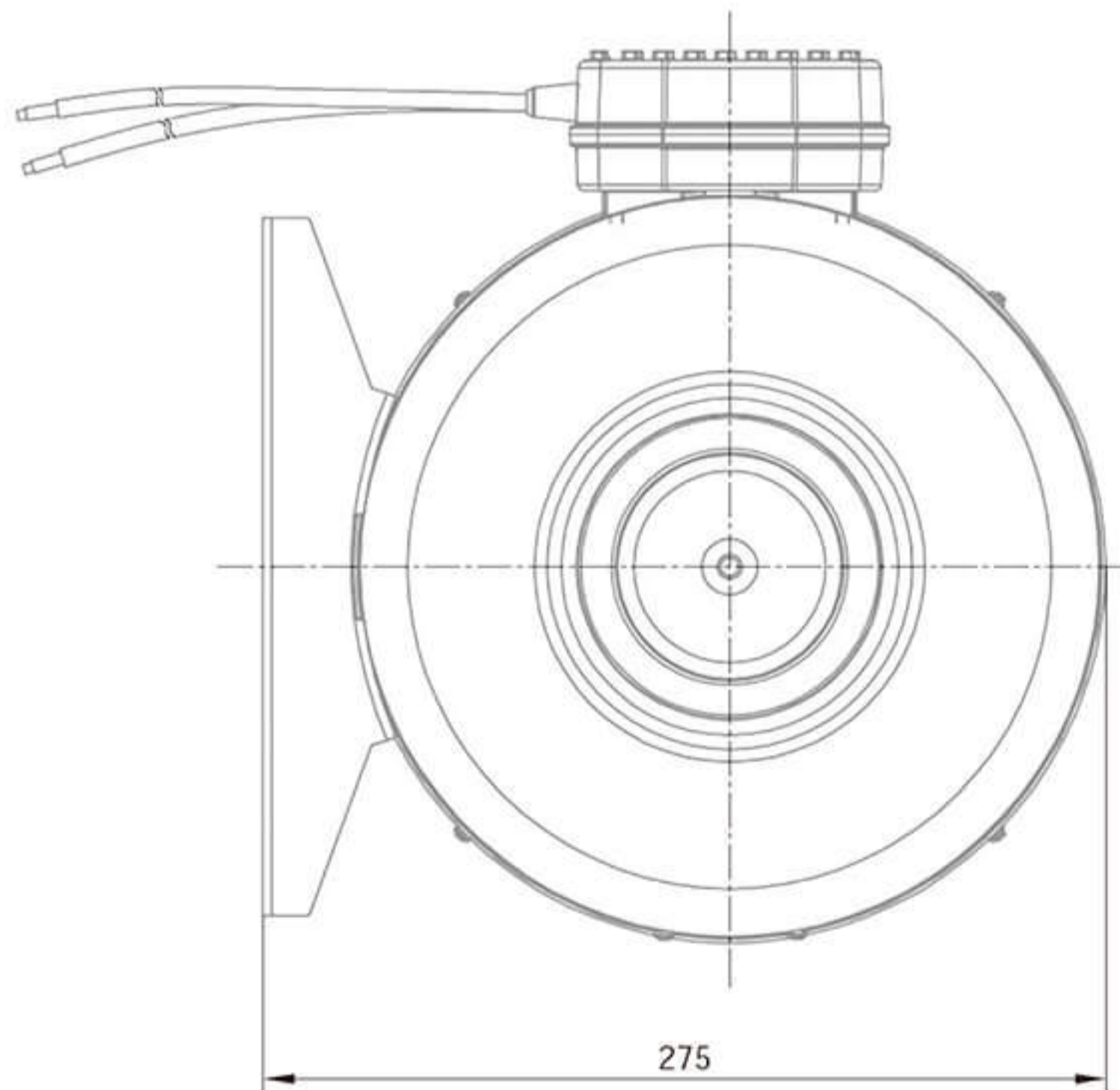


EC Circular Duct Fans $\Phi 192$ T125



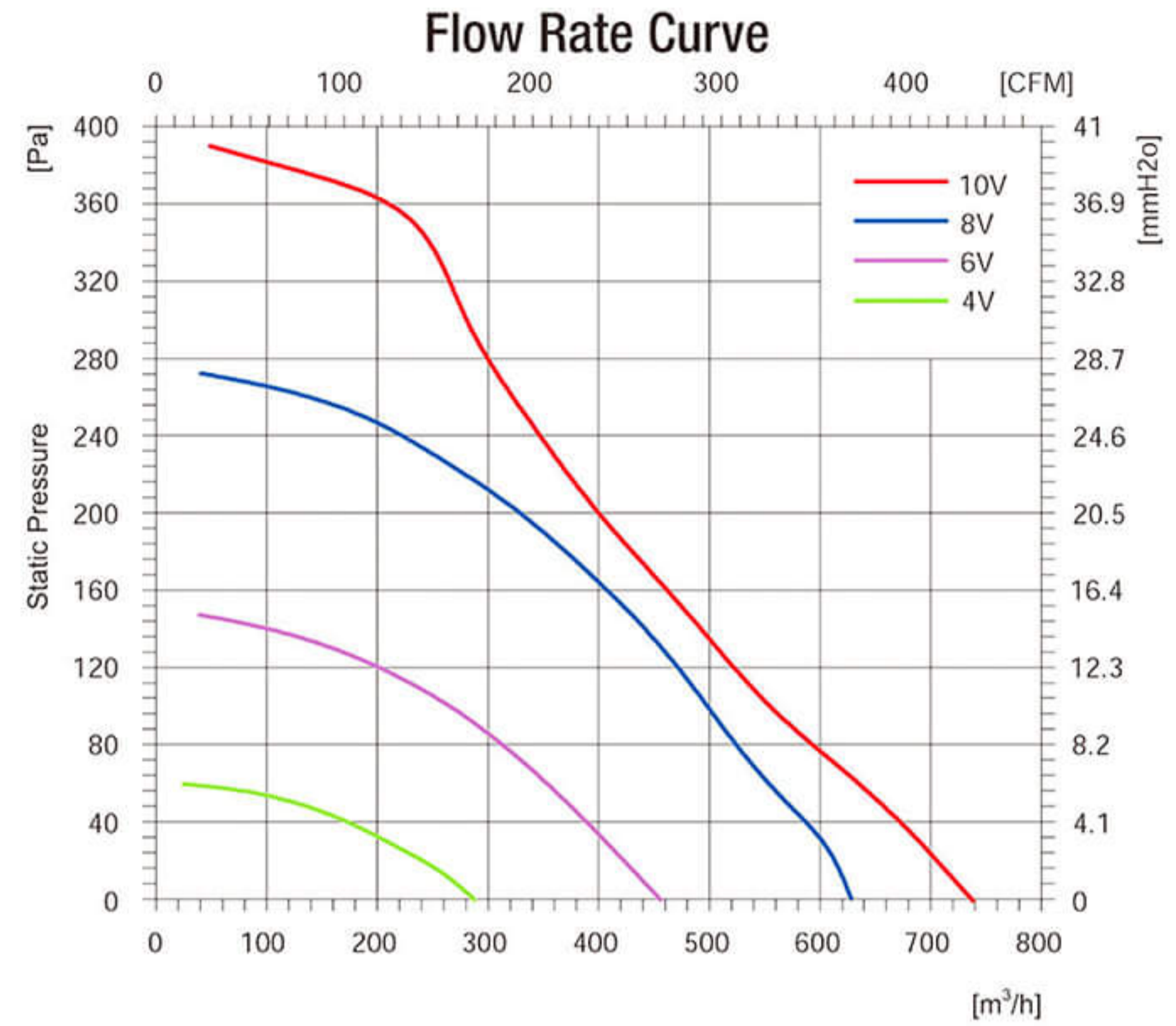
Product Characteristic

Motor technology: EC Outer rotor
 Supply voltage: 1~, 200-277V, 50/60Hz
 Mode of Operation: S1
 Protection Class: IP54
 Insulation Class: F
 Bearings: Maintenance-free ball bearings
 Impeller Type: Backward curved
 Impeller Material: Plastic
 Housing Material: Galvanised sheet steel
 Perm.amb.temp.: -25°C ~ +50°C
 Controller Separated, 0-10V or PWM Control



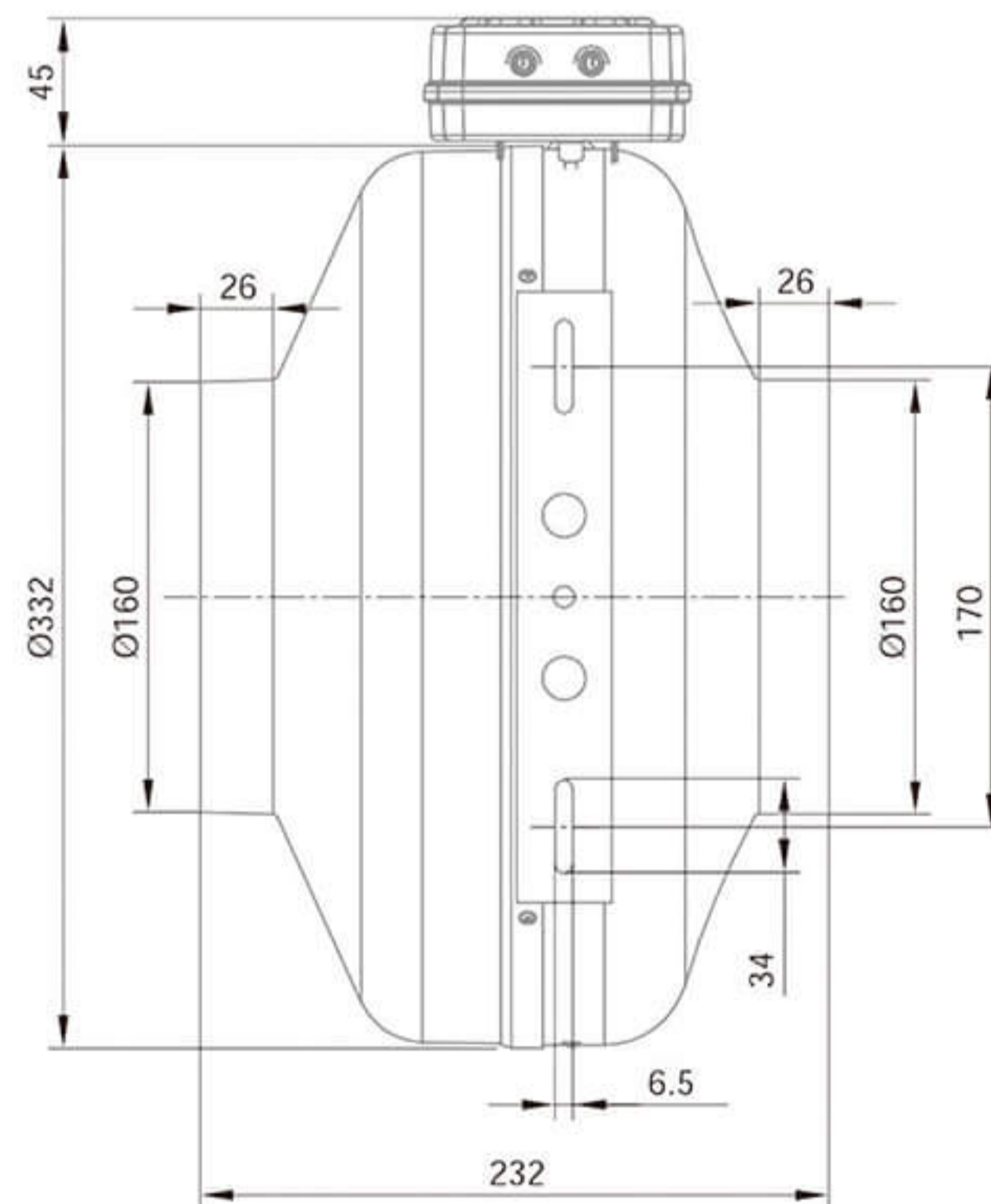
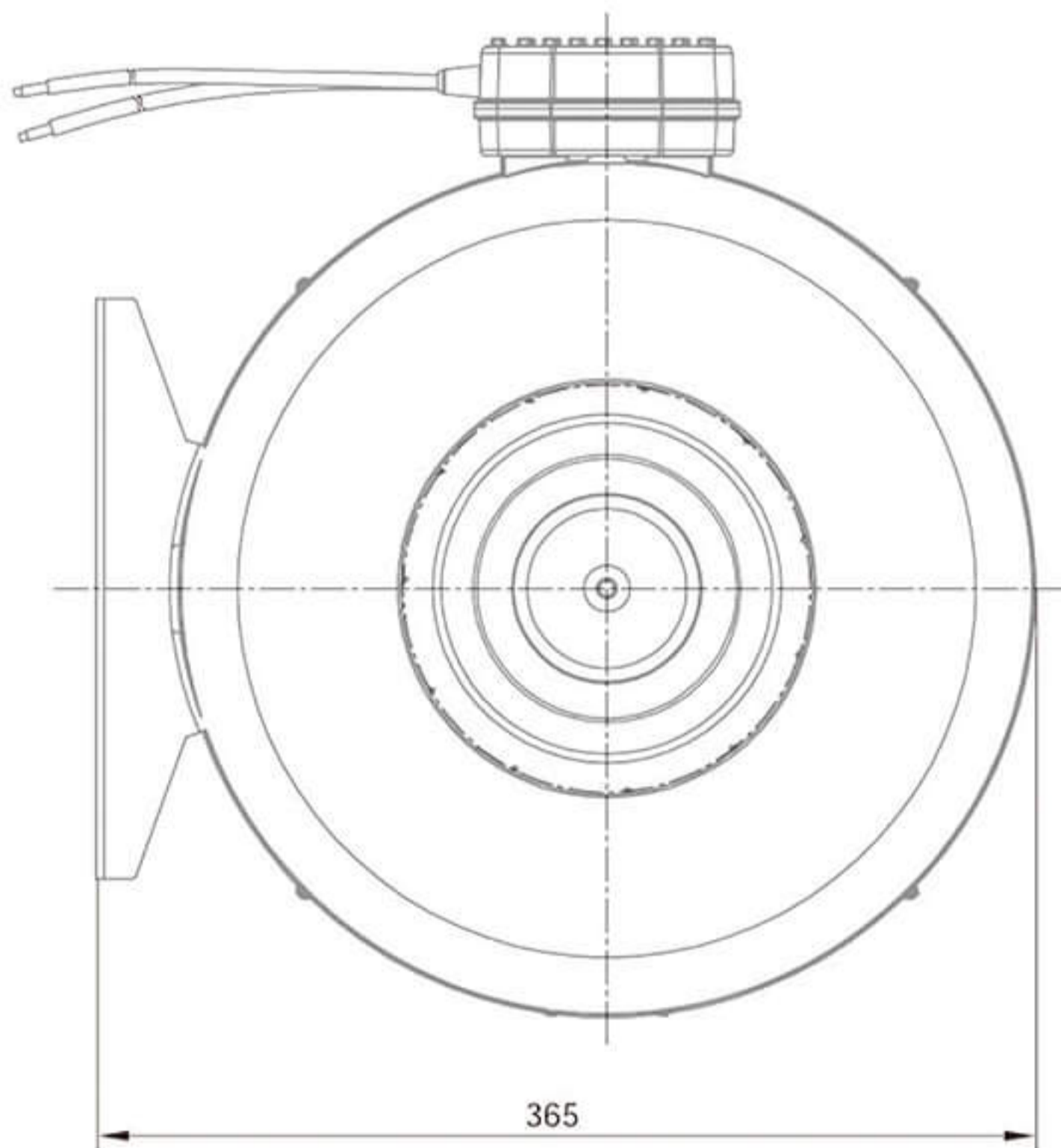
Model	Voltage (V)	Frequency (Hz)	Input Power (W)	Current (A)	Air Volume (m³/h)	Speed (r/min)	Noise [dB(A)]	Max Environmental Temperature(°C)	Weight (Kg)
BMF-4E192T125-PGYDAC0	230	50/60	100	0.82	500	3400	73	50	2.6

EC Circular Duct Fans Φ 220 T160



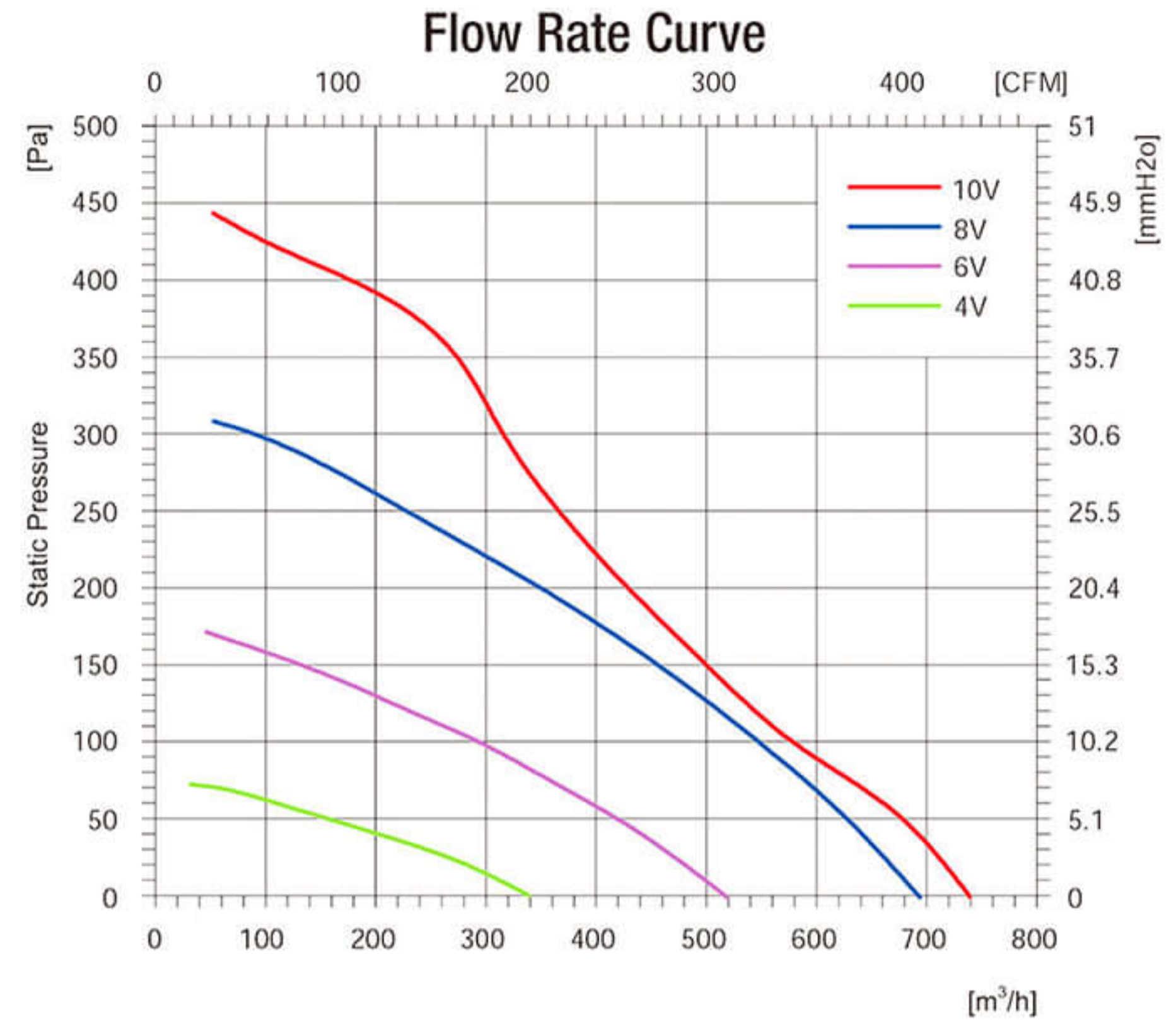
Product Characteristic

Motor technology: EC Outer rotor
 Supply voltage: 1~, 200-277V, 50/60Hz
 Mode of Operation: S1
 Protection Class: IP54
 Insulation Class: F
 Bearings: Maintenance-free ball bearings
 Impeller Type: Backward curved
 Impeller Material: Plastic
 Housing Material: Galvanised sheet steel
 Perm.amb.temp.: -25°C ~ +50°C
 Controller Separated, 0-10V or PWM Control



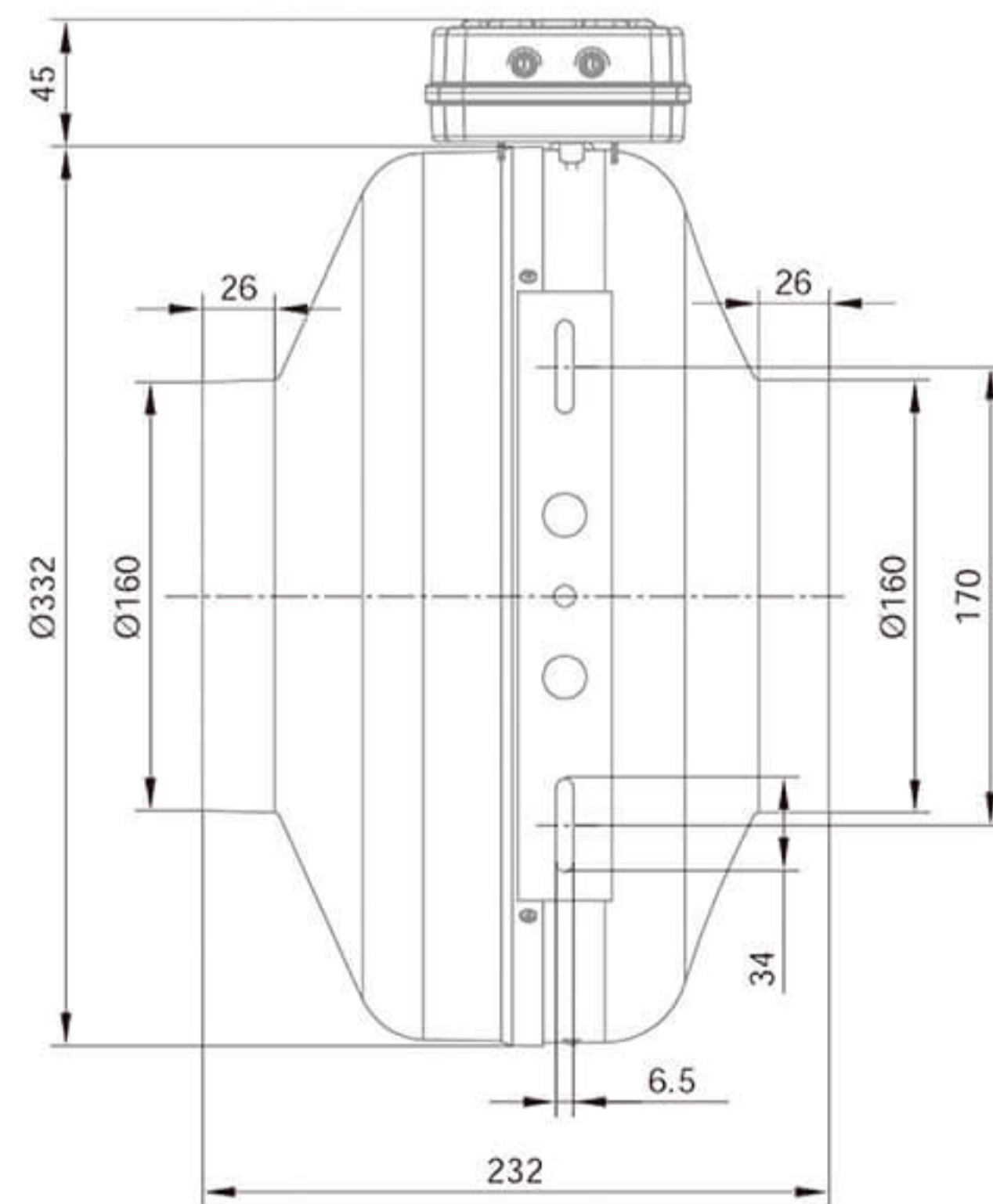
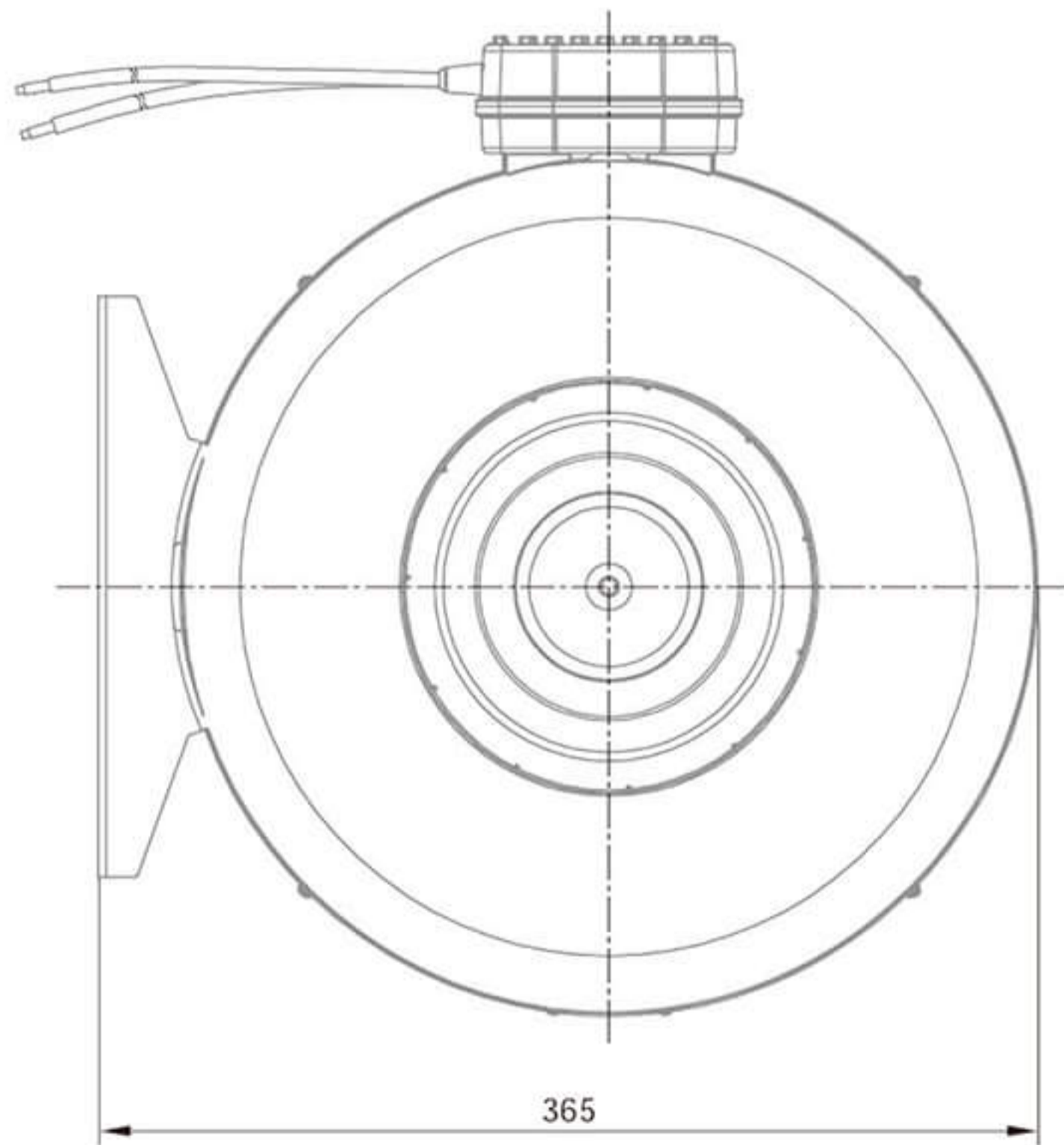
Model	Voltage (V)	Frequency (Hz)	Input Power (W)	Current (A)	Air Volume (m³/h)	Speed (r/min)	Noise [dB(A)]	Max Environmental Temperature(°C)	Weight (Kg)
BMF-4E220T160-PGYDAC0	230	50/60	85	0.70	740	2600	67	50	3.75

EC Circular Duct Fans $\Phi 225$ T160



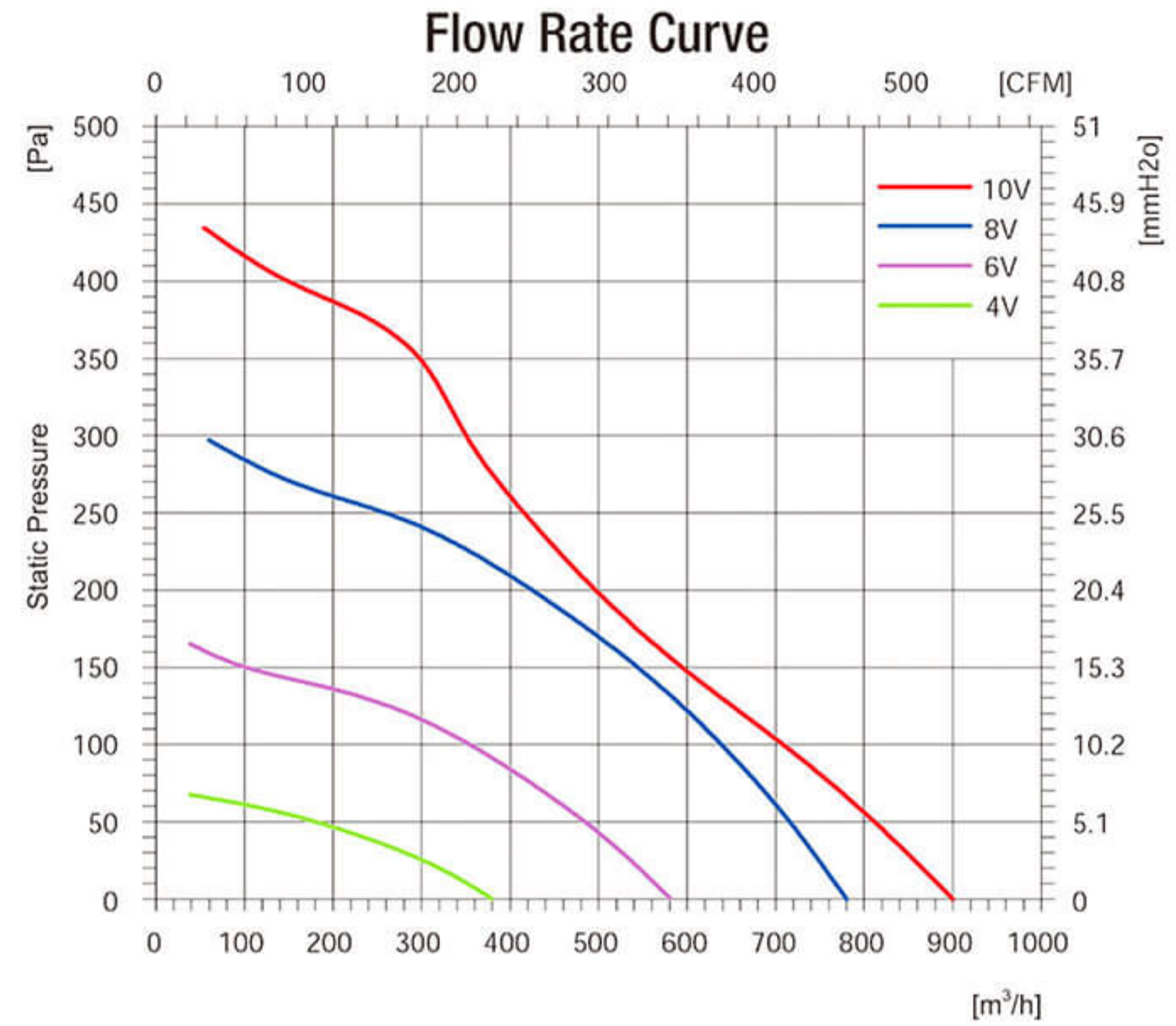
Product Characteristic

Motor technology: EC Outer rotor
 Supply voltage: 1~, 200-277V, 50/60Hz
 Mode of Operation: S1
 Protection Class: IP54
 Insulation Class: F
 Bearings: Maintenance-free ball bearings
 Impeller Type: Backward curved
 Impeller Material: Plastic
 Housing Material: Galvanised sheet steel
 Perm. amb. temp.: -25°C ~ +50°C
 Controller Separated, 0-10V or PWM Control



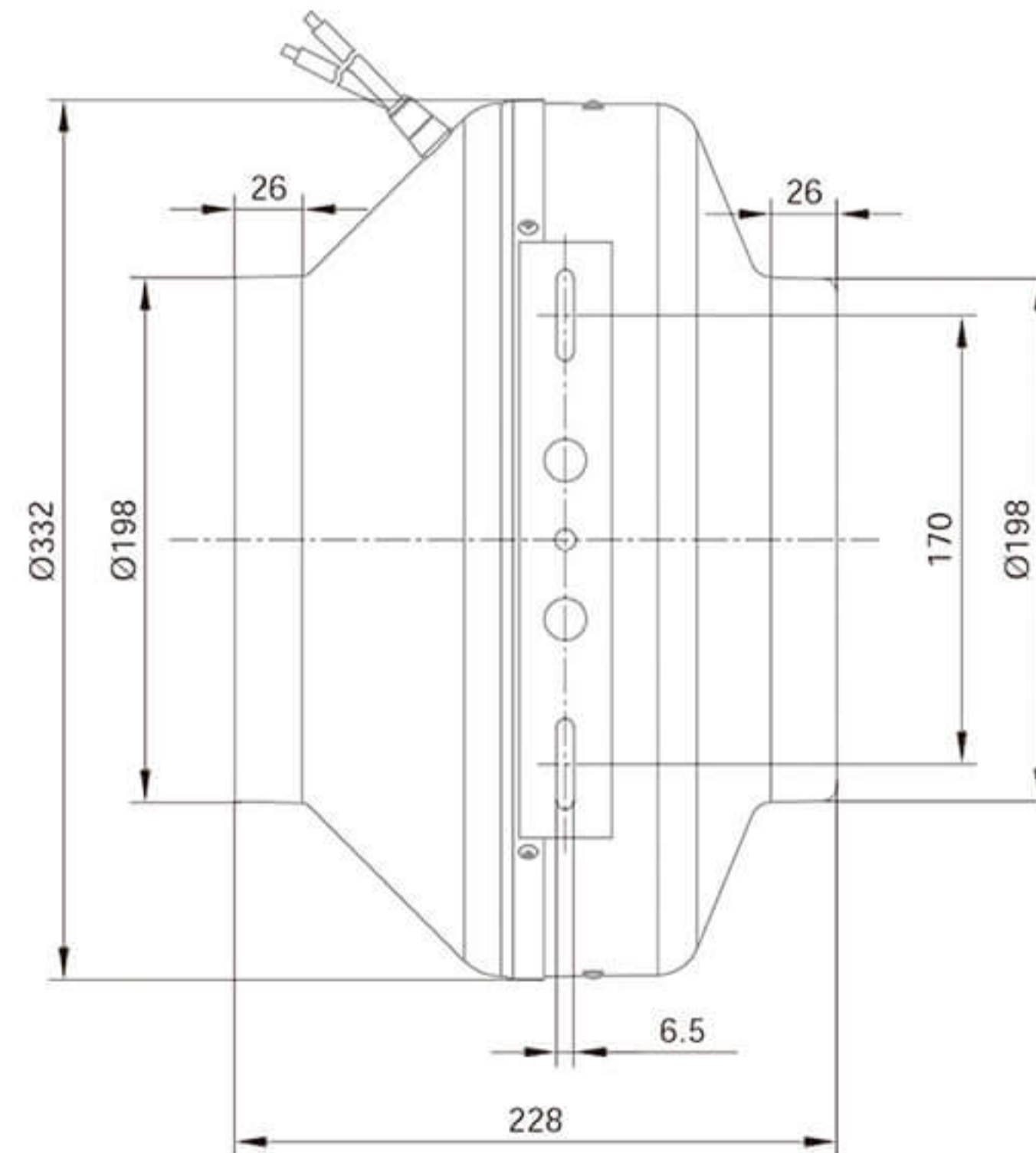
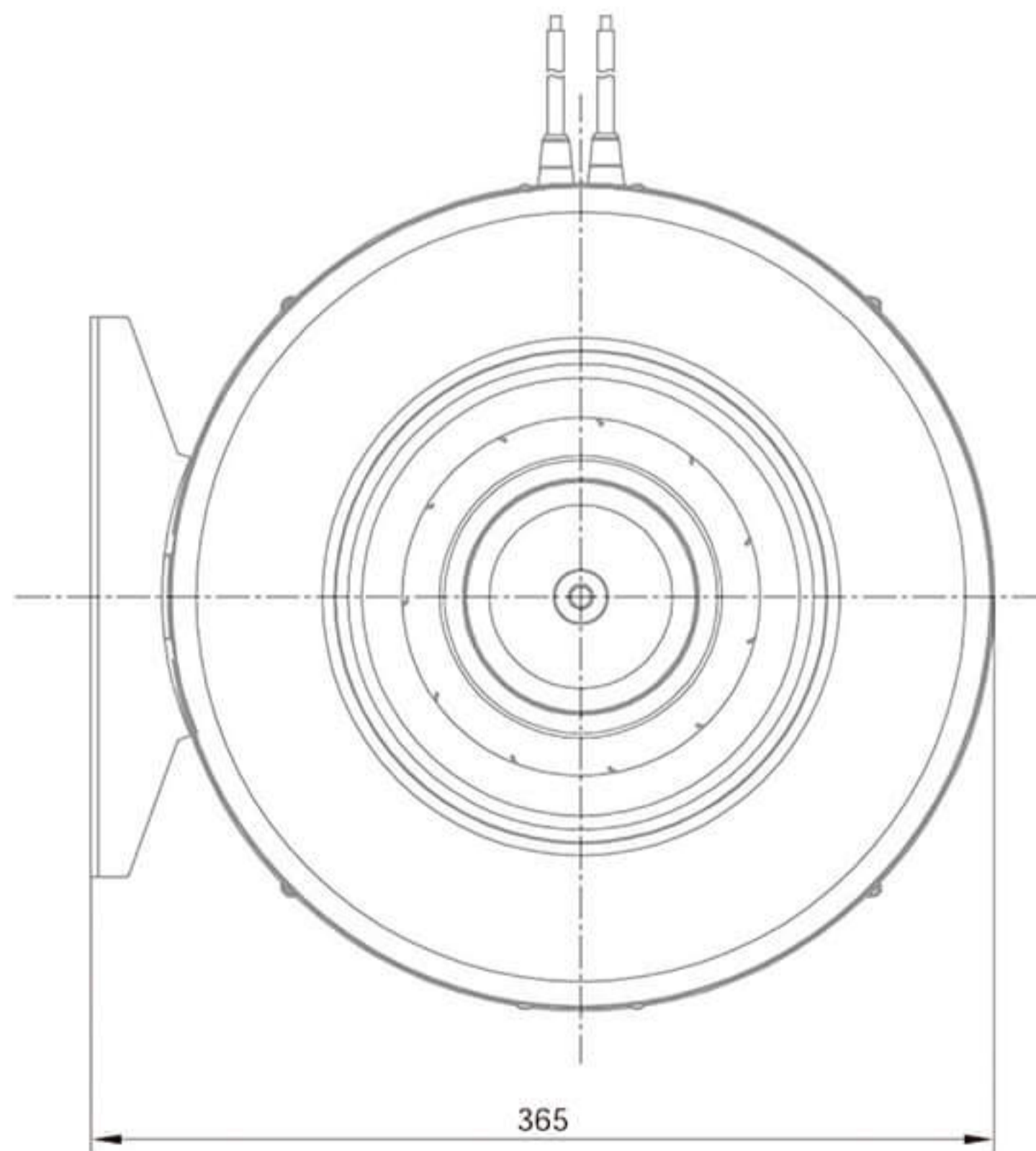
Model	Voltage (V)	Frequency (Hz)	Input Power (W)	Current (A)	Air Volume (m³/h)	Speed (r/min)	Noise [dB(A)]	Max Environmental Temperature(°C)	Weight (Kg)
BMF-4E225T160-PGYDAC0	230	50/60	95	0.8	750	2500	68	50	3.8

EC Circular Duct Fans $\Phi 225$ T200



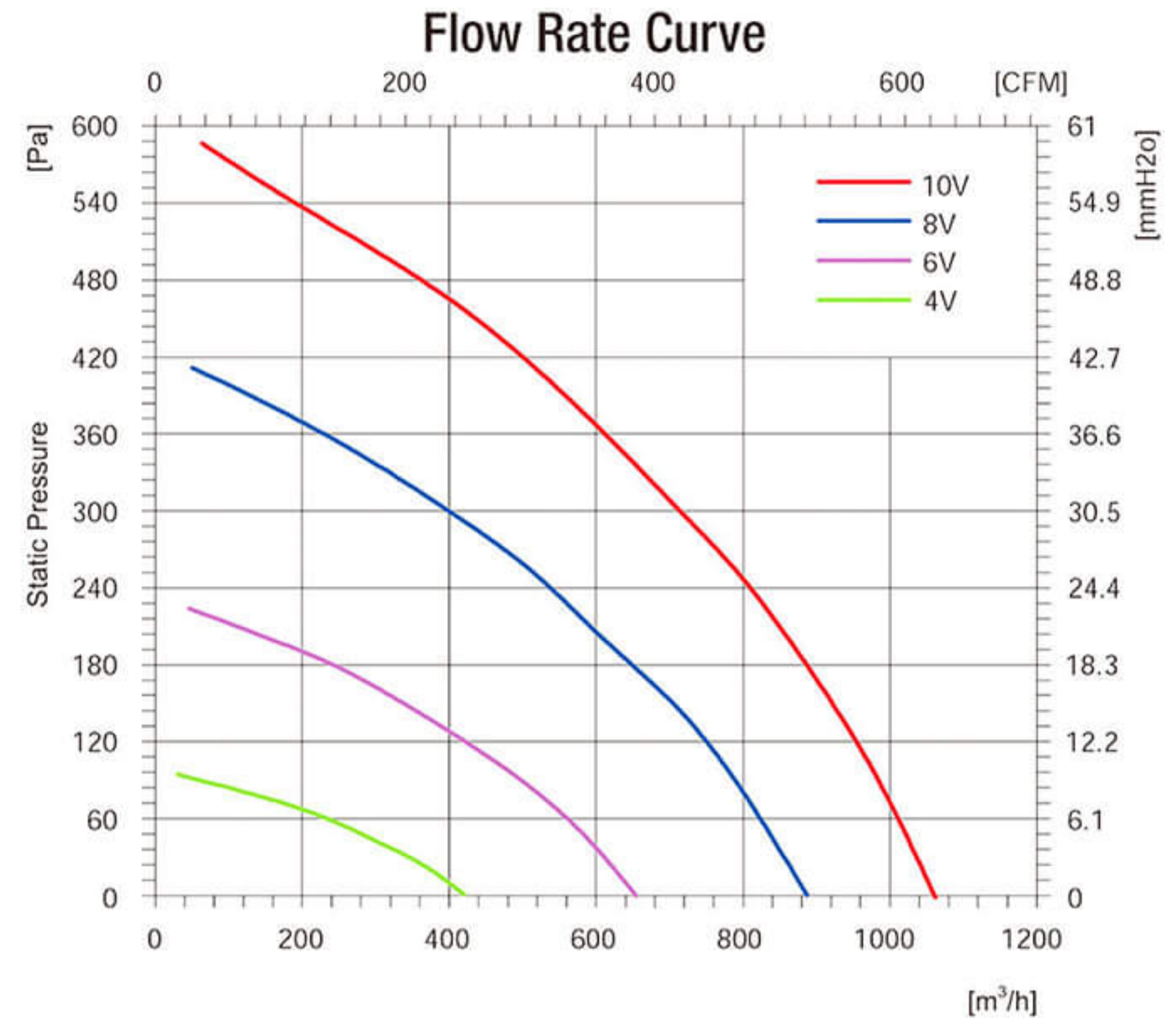
Product Characteristic

- Motor technology: EC Outer rotor
- Supply voltage: 1~, 200-277V, 50/60Hz
- Mode of Operation: S1
- Protection Class: IP54
- Insulation Class: F
- Bearings: Maintenance-free ball bearings
- Impeller Type: Backward curved
- Impeller Material: Plastic
- Housing Material: Galvanised sheet steel
- Perm.amb.temp.: -25°C ~ +50°C
- Controller Separated, 0-10V or PWM Control



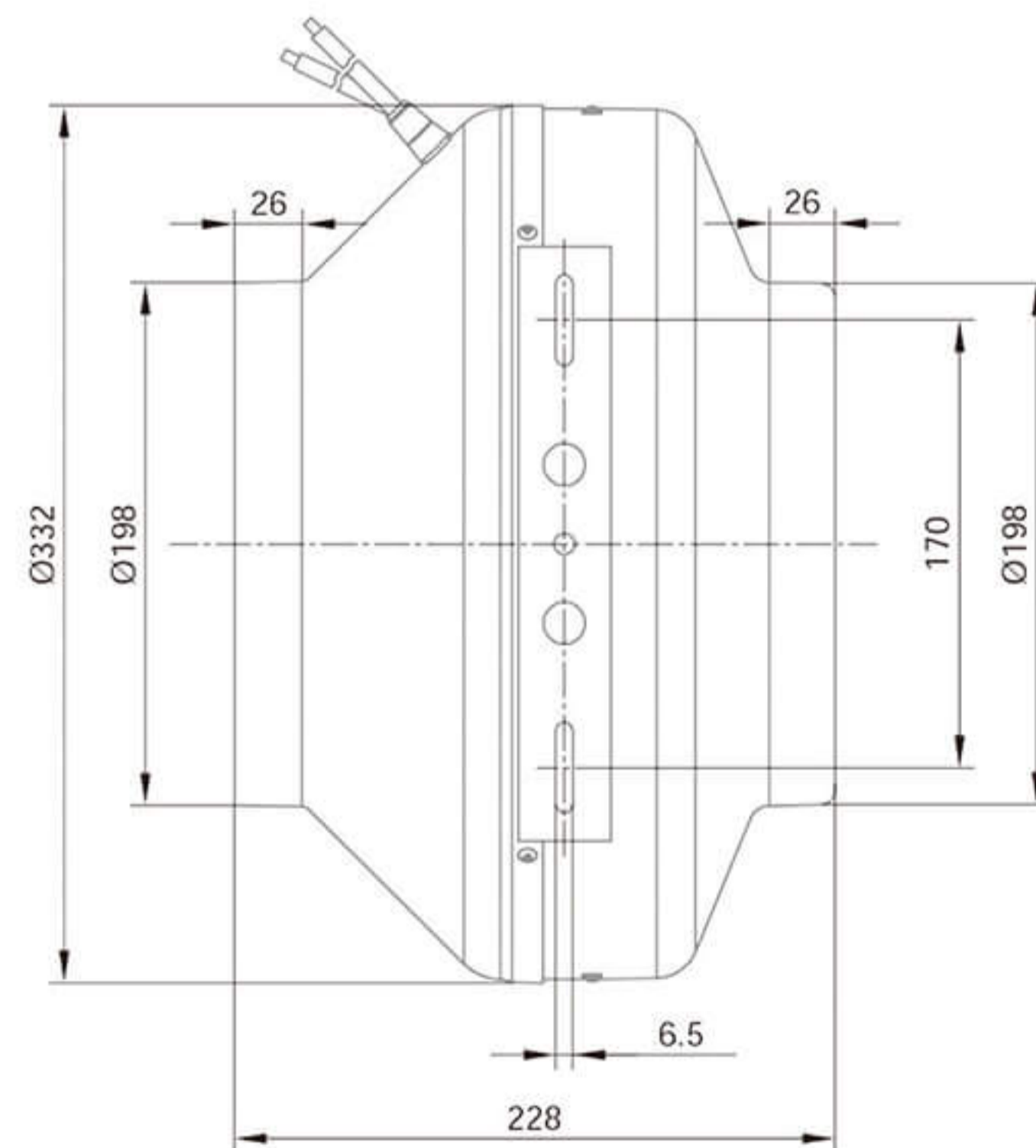
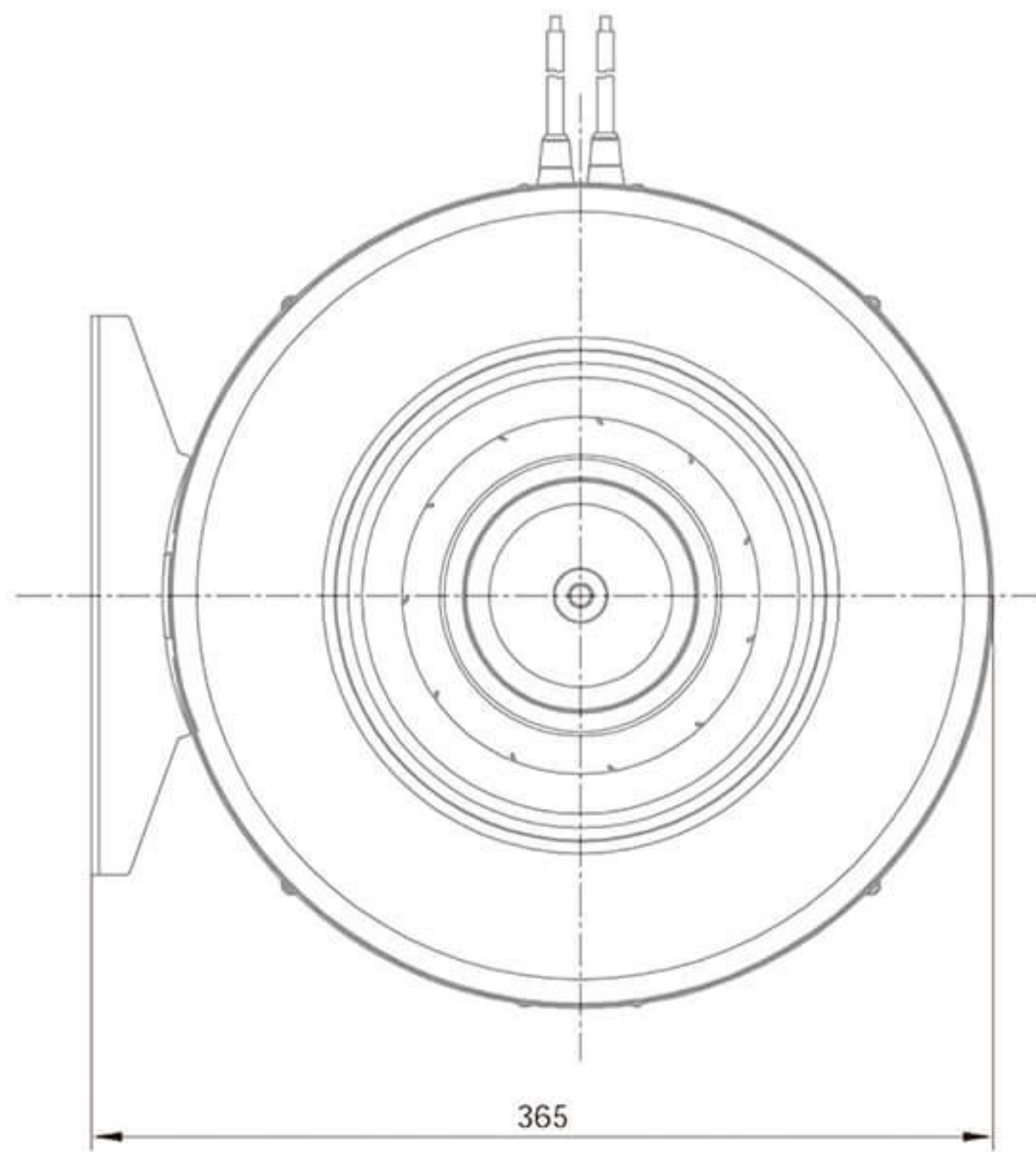
Model	Voltage (V)	Frequency (Hz)	Input Power (W)	Current (A)	Air Volume (m³/h)	Speed (r/min)	Noise [dB(A)]	Max Environmental Temperature(°C)	Weight (Kg)
BMF-4E225T200-PGYDAY0	230	50/60	95	0.8	900	2500	63	50	4.65

EC Circular Duct Fans $\Phi 225$ T200



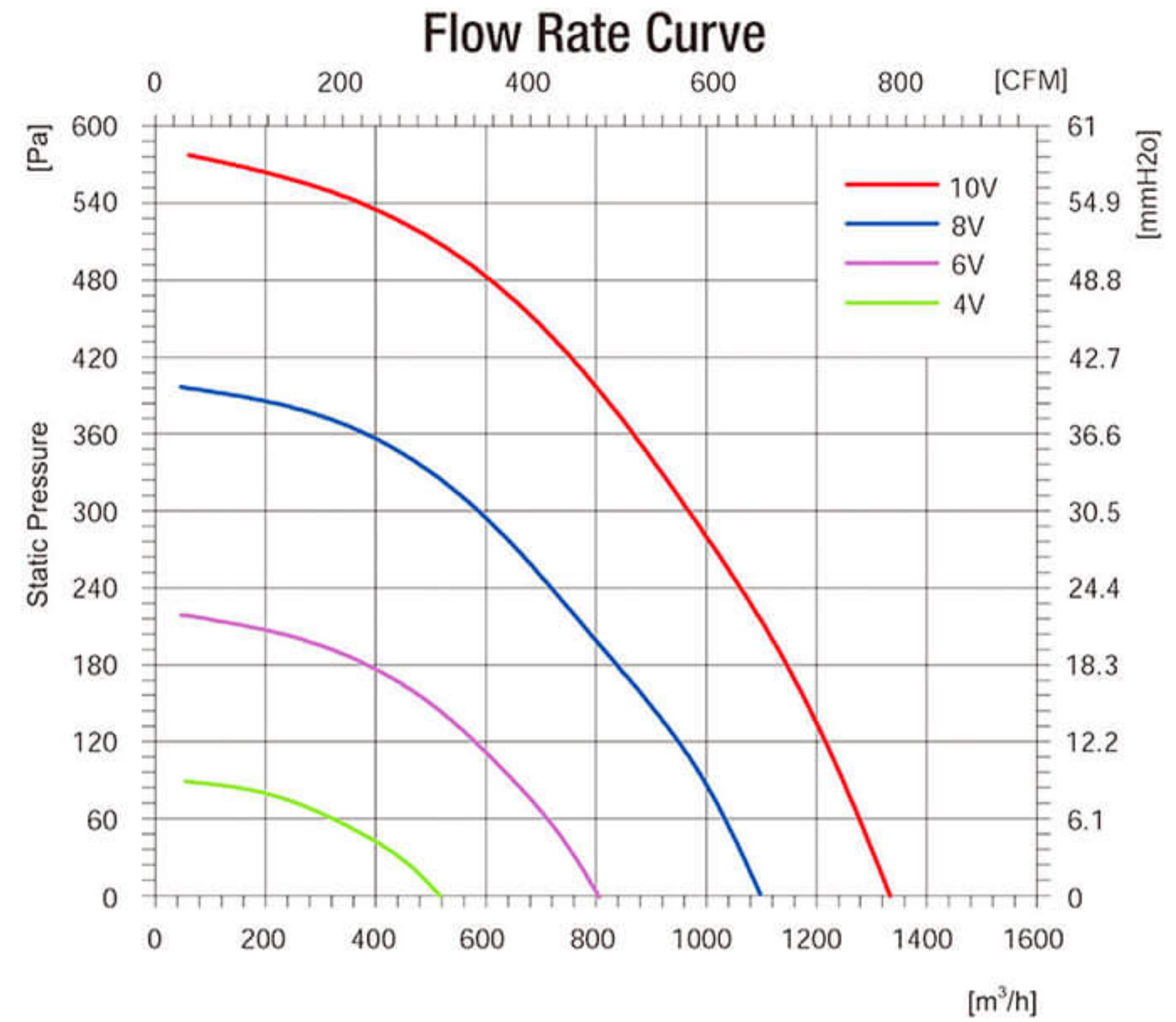
Product Characteristic

Motor technology: EC Outer rotor
 Supply voltage: 1~, 200-277V, 50/60Hz
 Mode of Operation: S1
 Protection Class: IP54
 Insulation Class: F
 Bearings: Maintenance-free ball bearings
 Impeller Type: Backward curved
 Impeller Material: Plastic
 Housing Material: Galvanised sheet steel
 Perm.amb.temp.: -25°C ~ +50°C
 Controller Separated, 0-10V or PWM Control



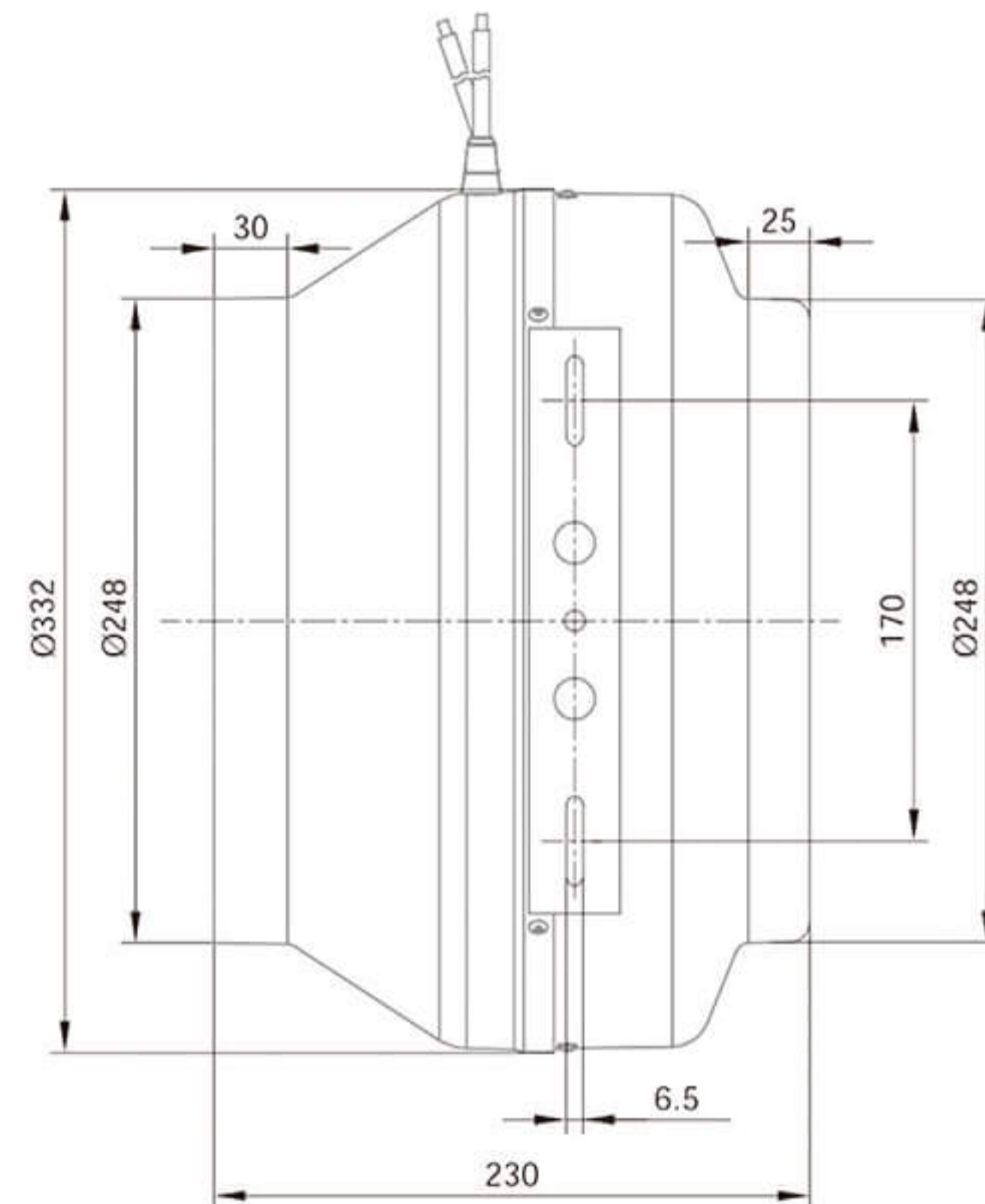
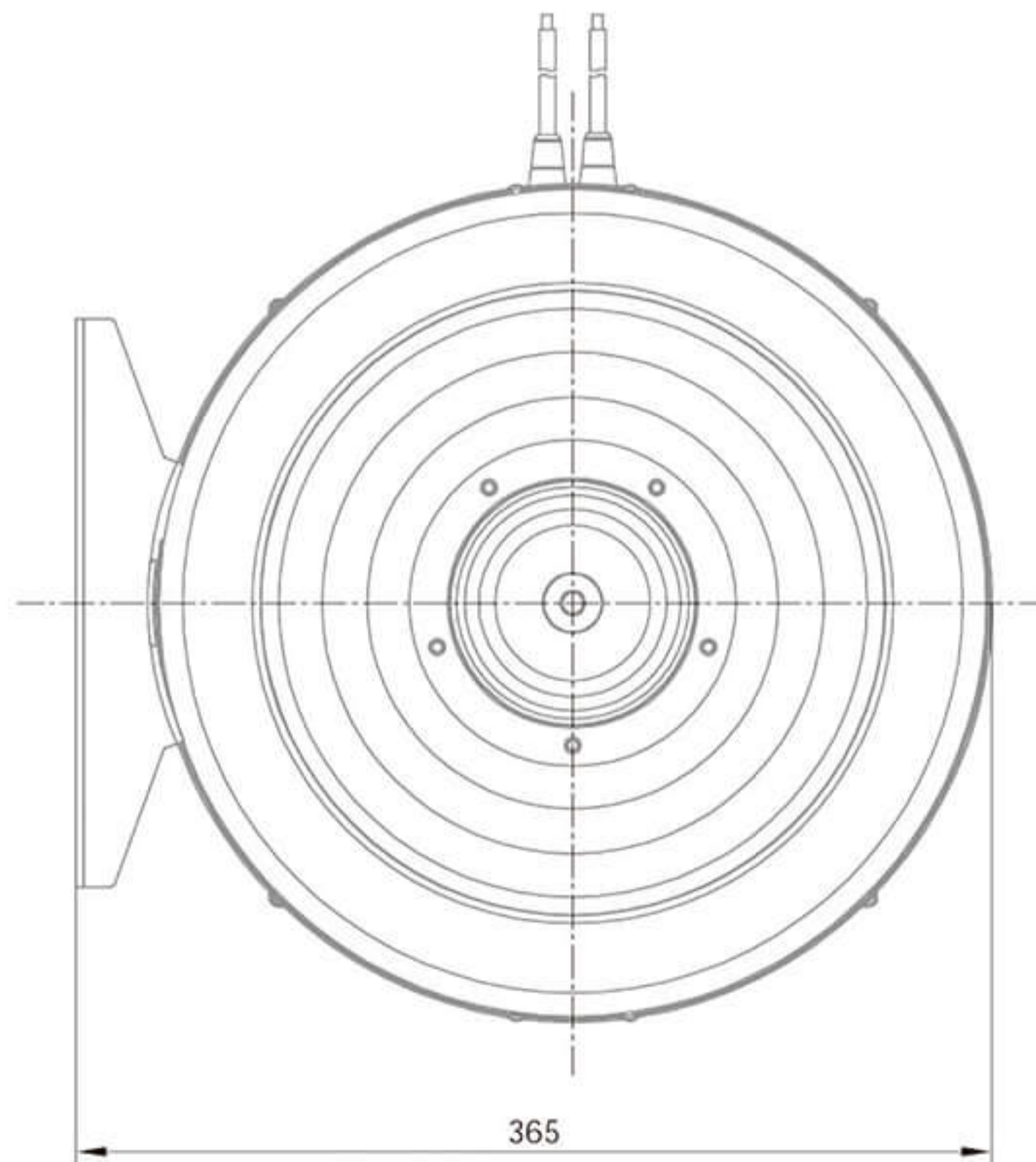
Model	Voltage (V)	Frequency (Hz)	Input Power (W)	Current (A)	Air Volume (m³/h)	Speed (r/min)	Noise [dB(A)]	Max Environmental Temperature(°C)	Weight (Kg)
BMF-6E225T200-PGYDAY0	230	50/60	180	1.3	1060	3000	72	50	4.6

EC Circular Duct Fans $\Phi 250$ T250



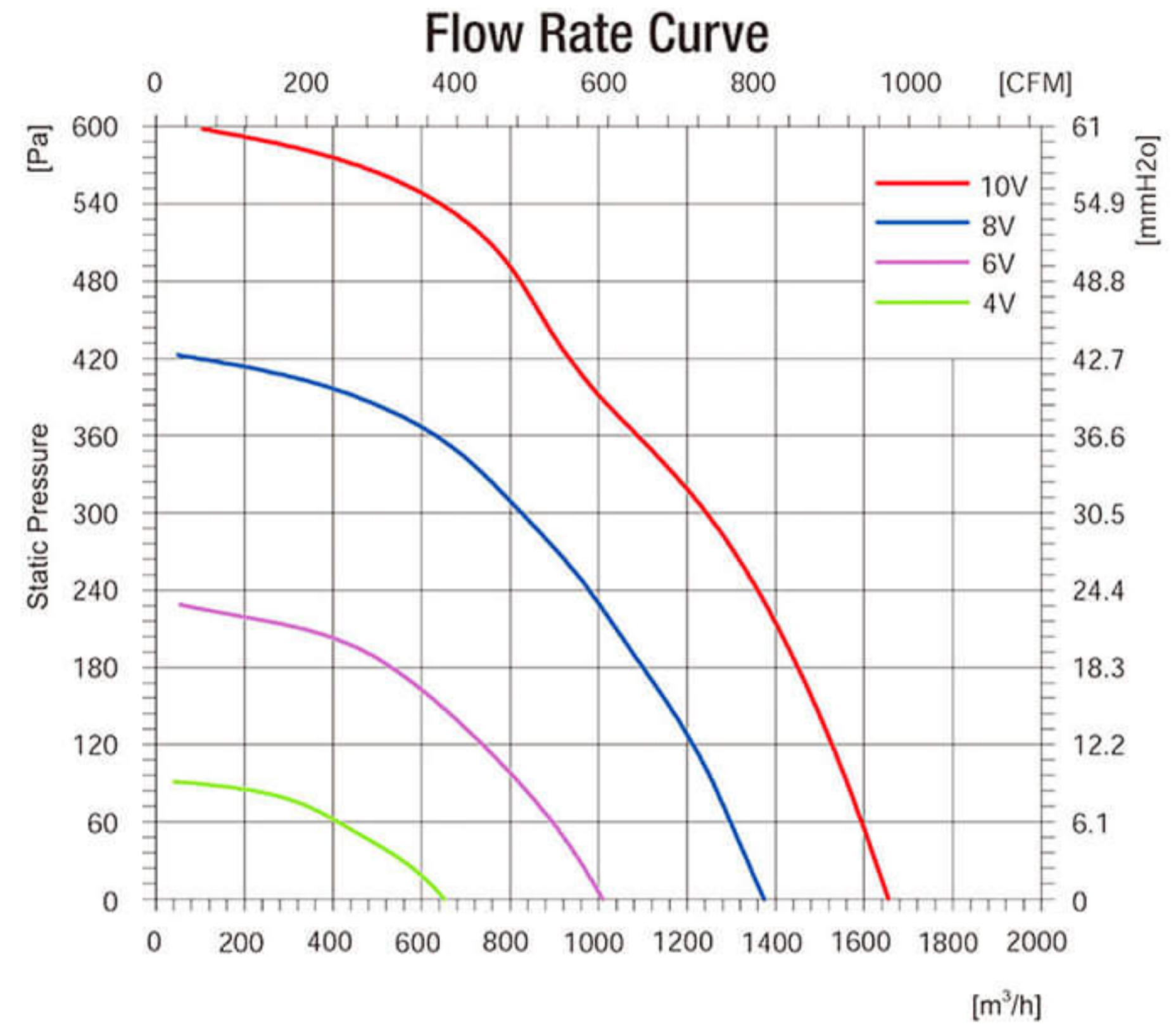
Product Characteristic

Motor technology: EC Outer rotor
 Supply voltage: 1~, 200-277V, 50/60Hz
 Mode of Operation: S1
 Protection Class: IP54
 Insulation Class: F
 Bearings: Maintenance-free ball bearings
 Impeller Type: Backward curved
 Impeller Material: Galvanised iron
 Housing Material: Galvanised sheet steel
 Perm.amb.temp.: -25°C ~ +50°C
 Controller Separated, 0-10V or PWM Control



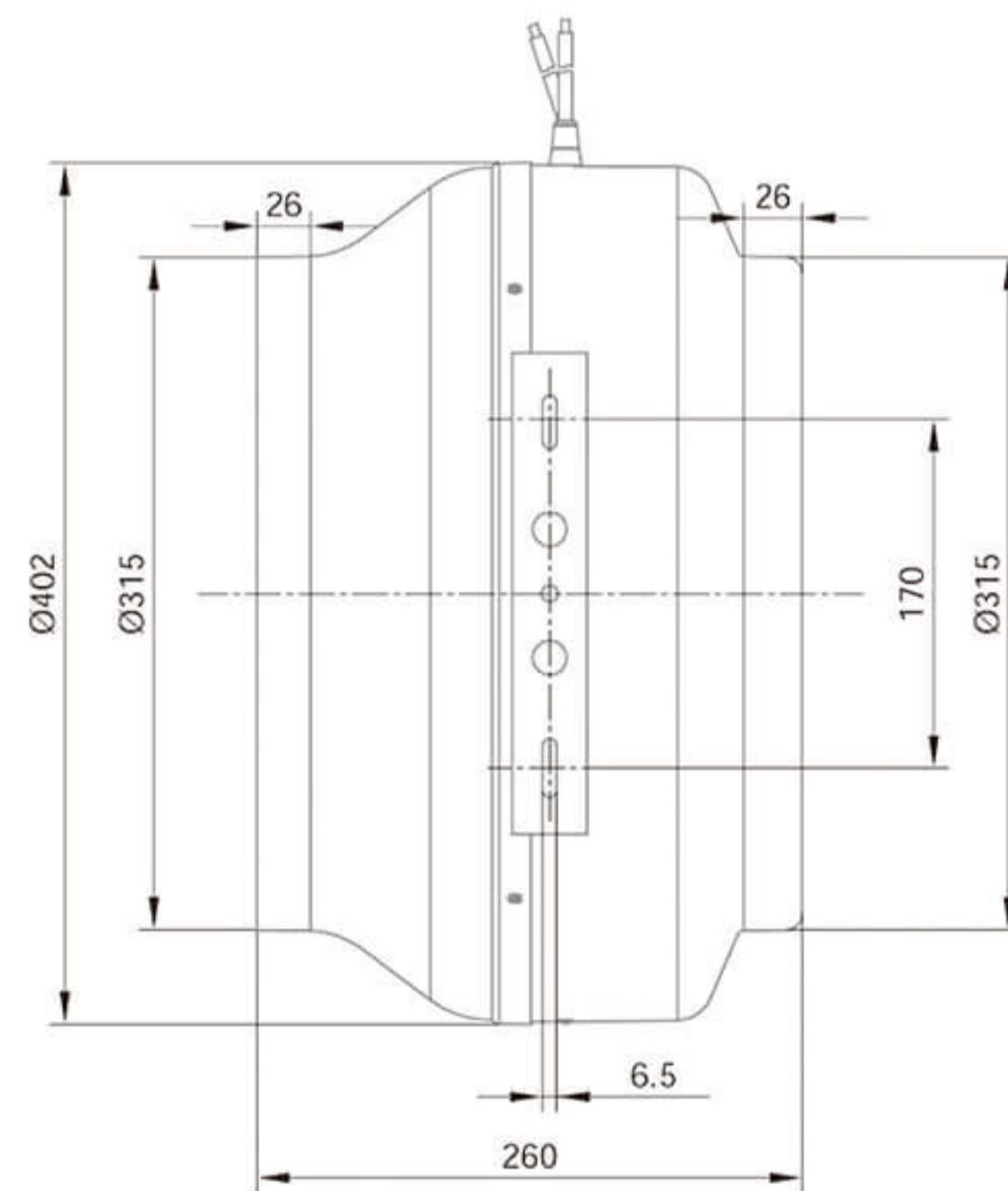
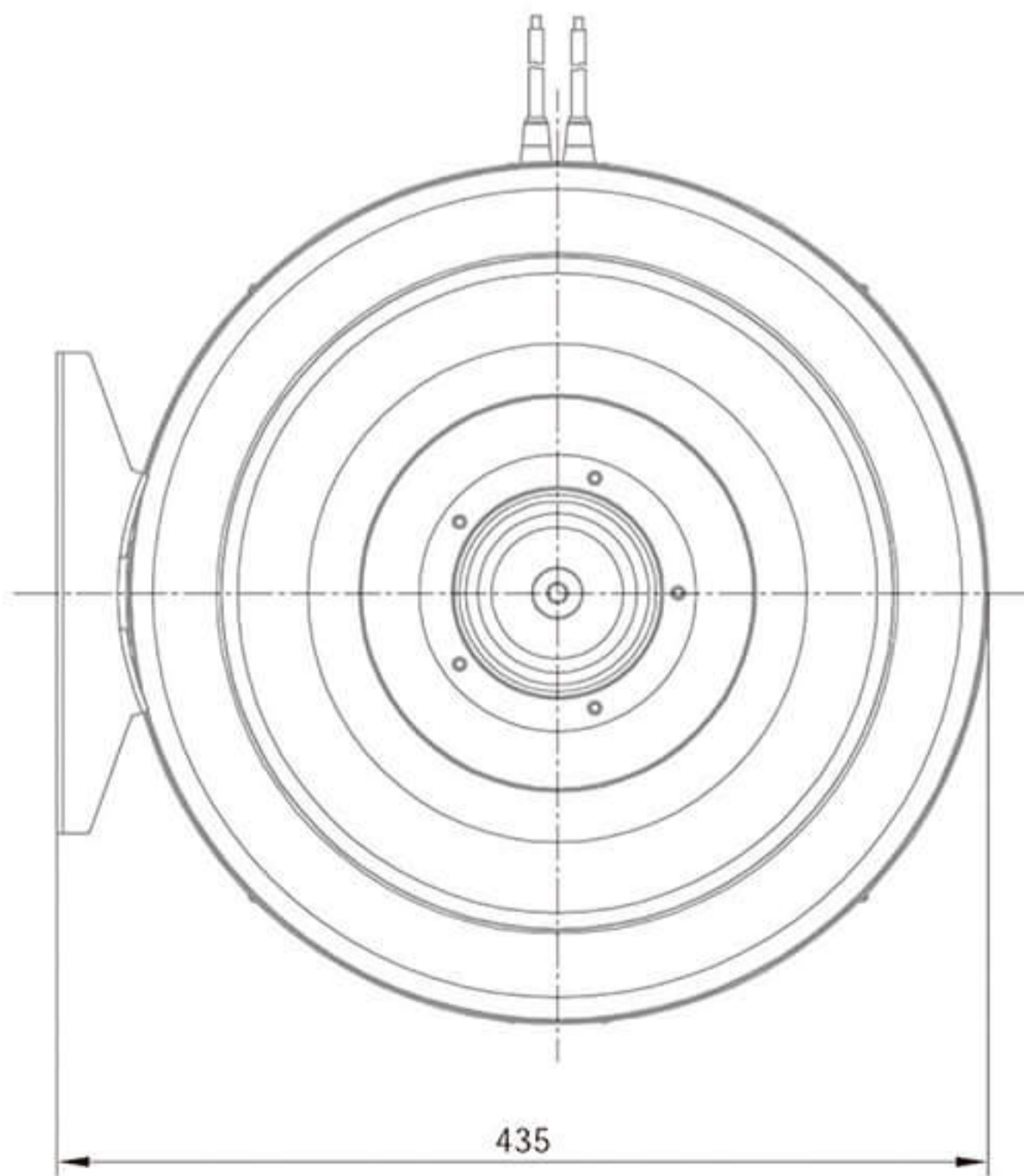
Model	Voltage (V)	Frequency (Hz)	Input Power (W)	Current (A)	Air Volume (m³/h)	Speed (r/min)	Noise [dB(A)]	Max Environmental Temperature(°C)	Weight (Kg)
BMF-6E250T250-PGYDAY0	230	50/60	250	1.8	1330	2900	73	50	5.6

EC Circular Duct Fans $\Phi 280$ T315



Product Characteristic

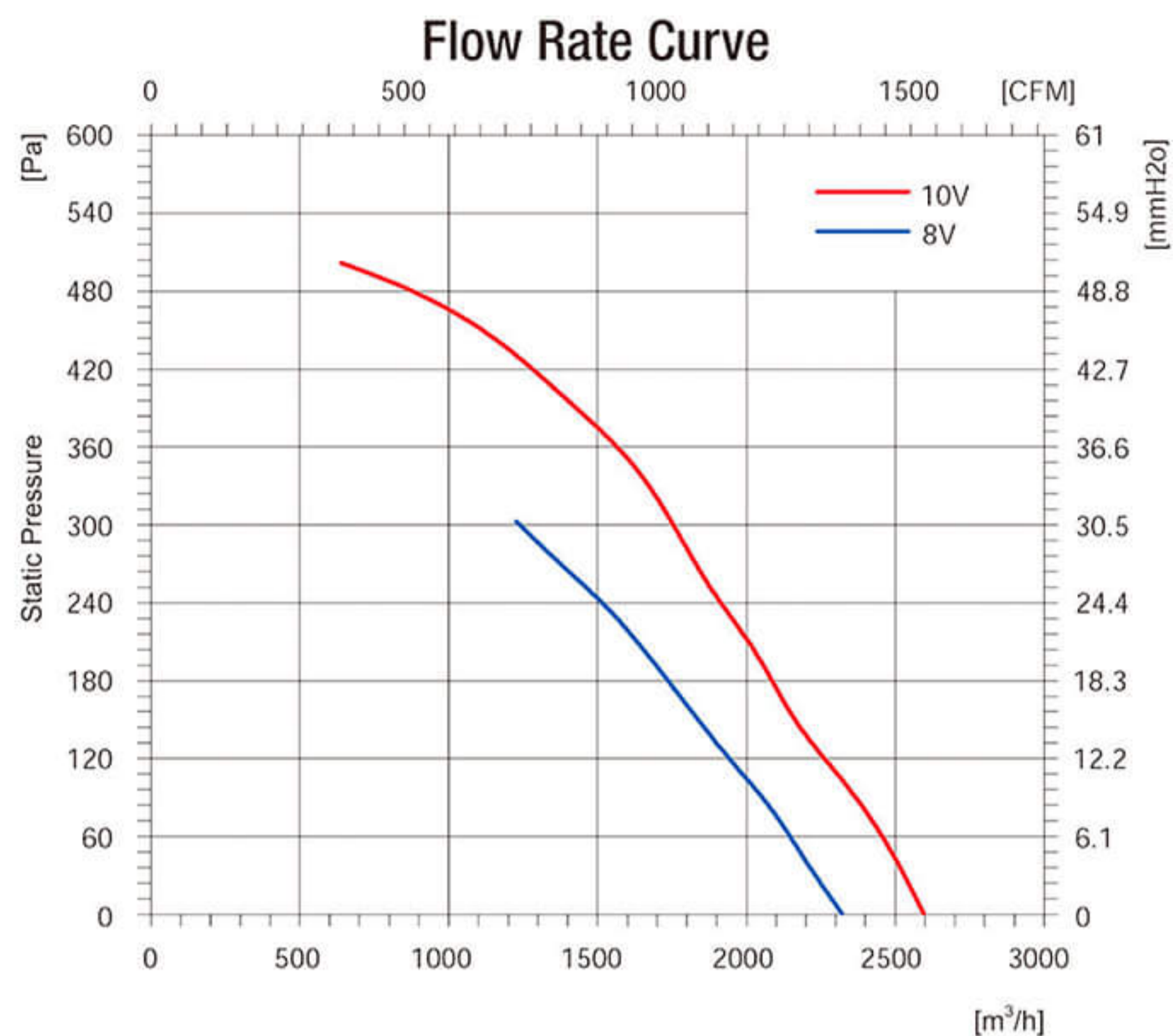
Motor technology: EC Outer rotor
 Supply voltage: 1~, 200-277V, 50/60Hz
 Mode of Operation: S1
 Protection Class: IP54
 Insulation Class: F
 Bearings: Maintenance-free ball bearings
 Impeller Type: Backward curved
 Impeller Material: Galvanised iron
 Housing Material: Galvanised sheet steel
 Perm.amb.temp.: -25°C ~ +50°C
 Controller Separated, 0-10V or PWM Control



Model	Voltage (V)	Frequency (Hz)	Input Power (W)	Current (A)	Air Volume (m³/h)	Speed (r/min)	Noise [dB(A)]	Max Environmental Temperature(°C)	Weight (Kg)
BMF-6E280T315-PGYDAY0	230	50/60	260	1.9	1650	2600	73	50	6.6

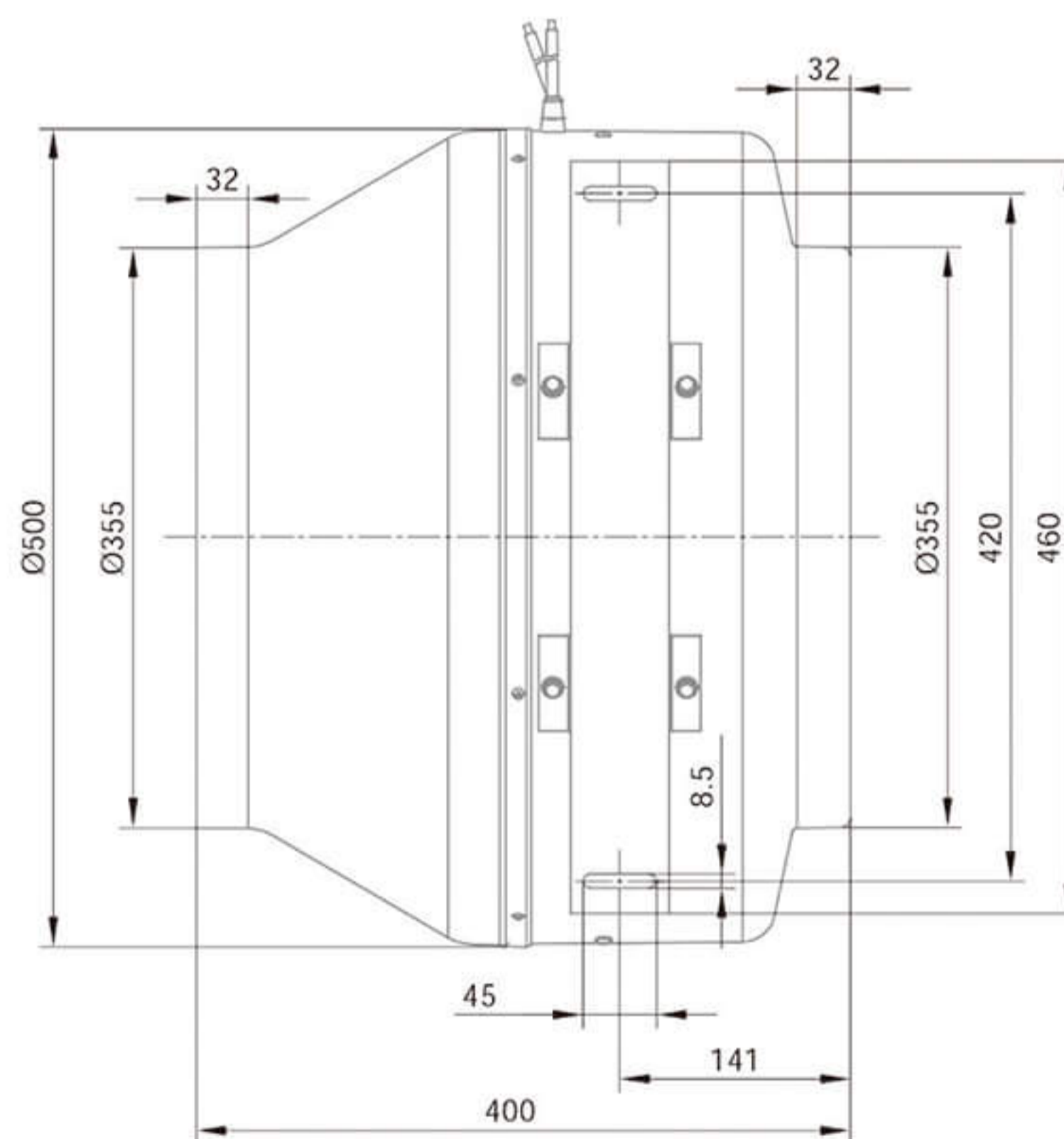
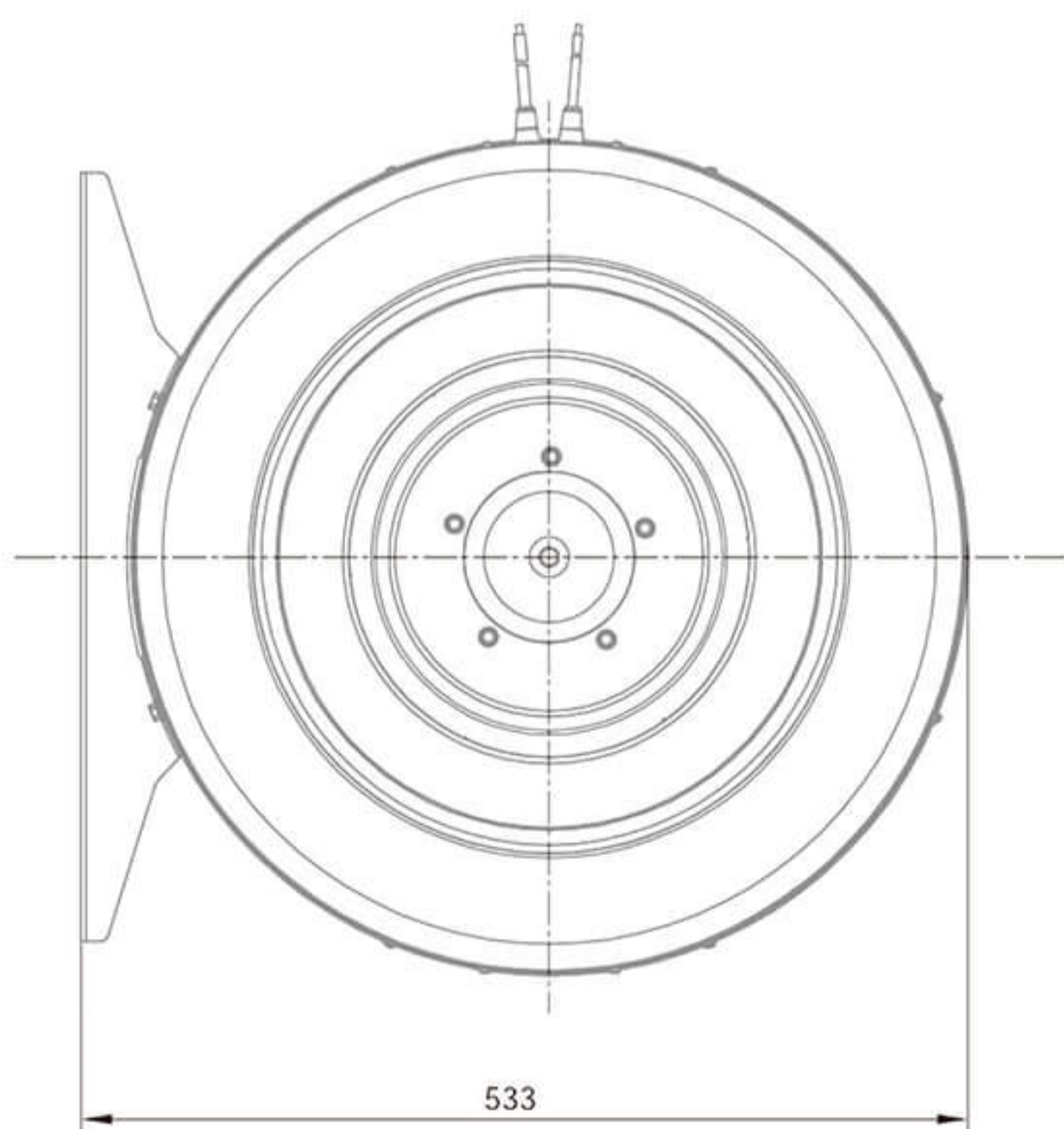
EC Circular Duct Fans $\Phi 355$ T355

ErP
2015



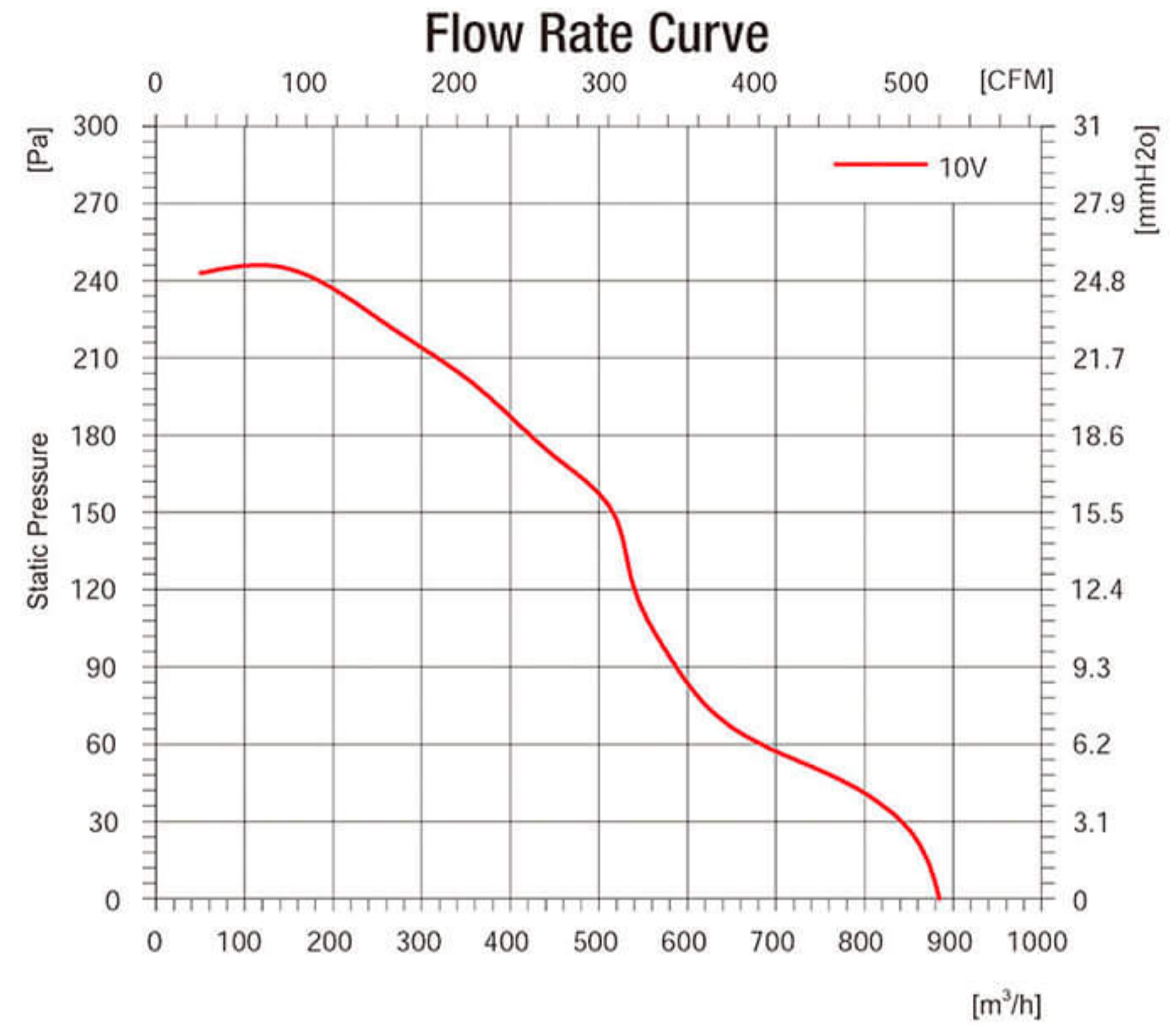
Product Characteristic

- Motor technology: EC Outer rotor
- Supply voltage: 1~, 200-277V, 50/60Hz
- Mode of Operation: S1
- Protection Class: IP54
- Insulation Class: F
- Bearings: Maintenance-free ball bearings
- Impeller Type: Backward curved
- Impeller Material: Sheet aluminium
- Housing Material: Galvanised sheet steel
- Perm.amb.temp.: -25°C ~ +50°C
- Controller Separated, 0-10V or PWM Control



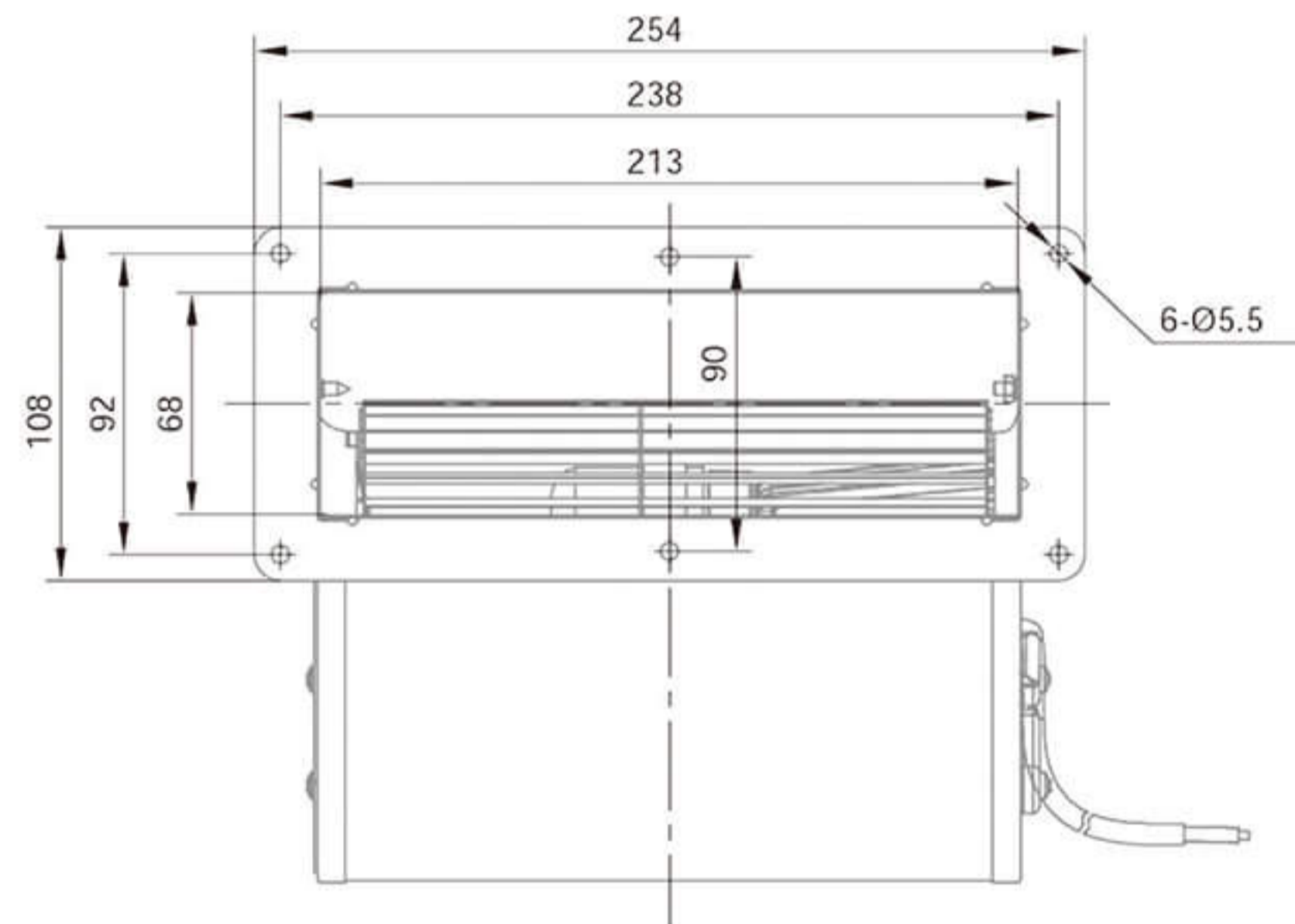
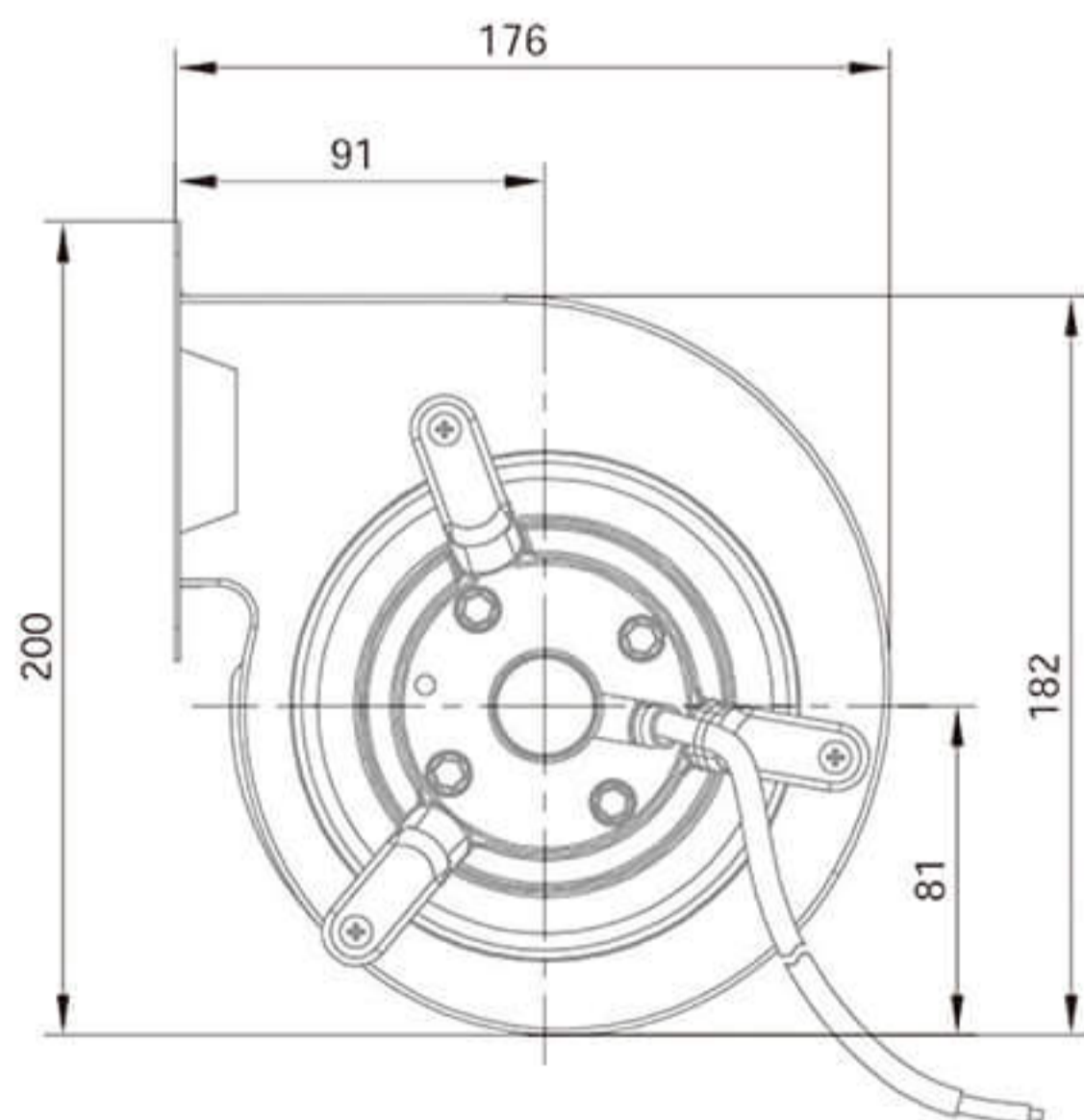
Model	Voltage (V)	Frequency (Hz)	Input Power (W)	Current (A)	Air Volume (m³/h)	Speed (r/min)	Noise [dB(A)]	Max Environmental Temperature(°C)	Weight (Kg)
BMF- 6E355T355-PGYDAY0	230	50/60	320	3.0	2600	1800	71	50	13.5

EC Dual Inlet Forward Curved Centrifugal Blower $\Phi 133$



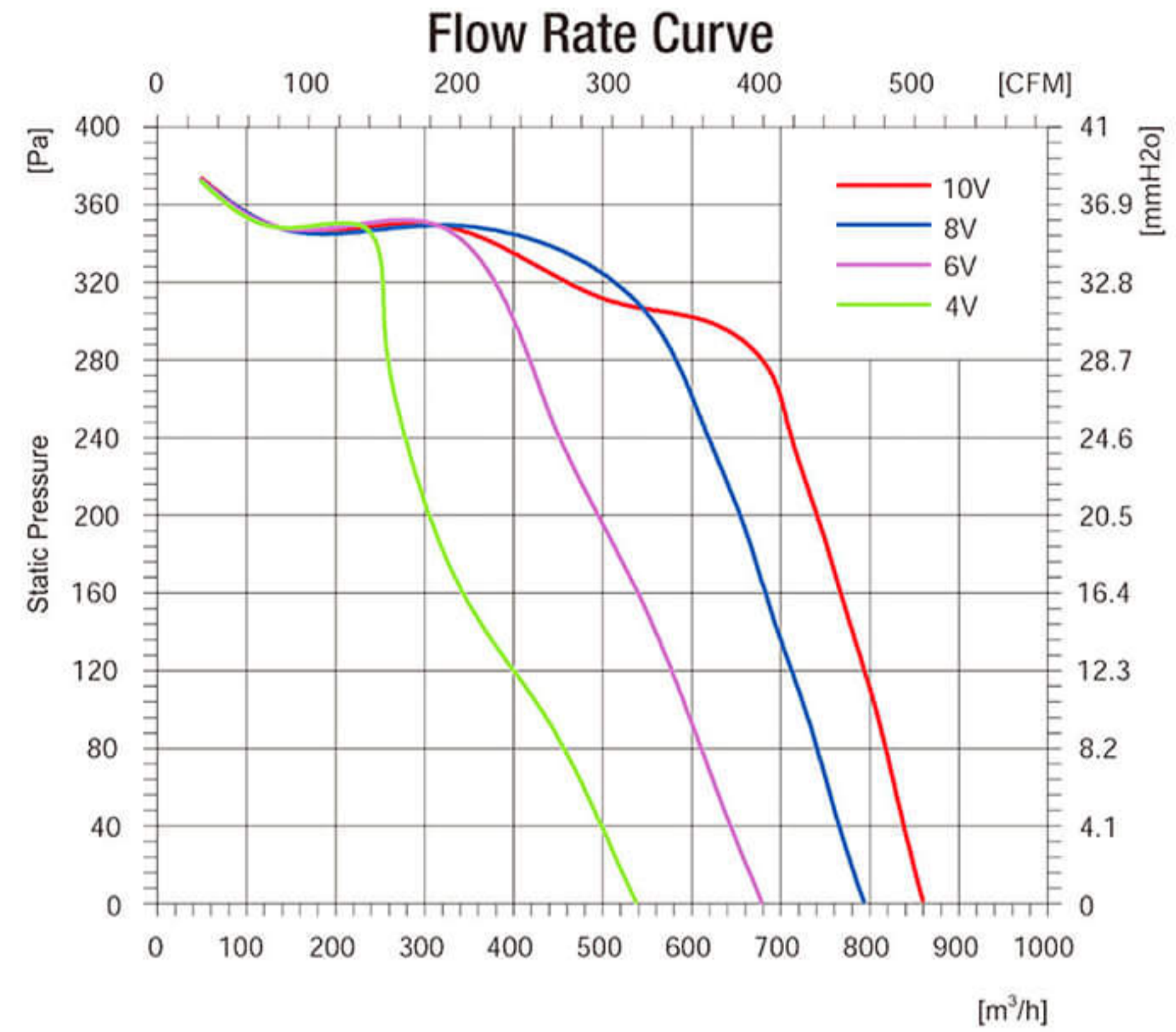
Product Characteristic

Motor technology: EC Outer rotor
 Supply voltage: 1~, 200-277V, 50/60Hz
 Mode of Operation: S1
 Protection Class: IP54
 Insulation Class: F
 Bearings: Maintenance-free ball bearings
 Impeller Material: Galvanised sheet steel
 Housing Material: Galvanised sheet steel
 Rotation: C.C.W, seen on the leads
 Perm.amb.temp.: -25°C ~ +50°C
 Controller Integrated, 0-10V or PWM Control



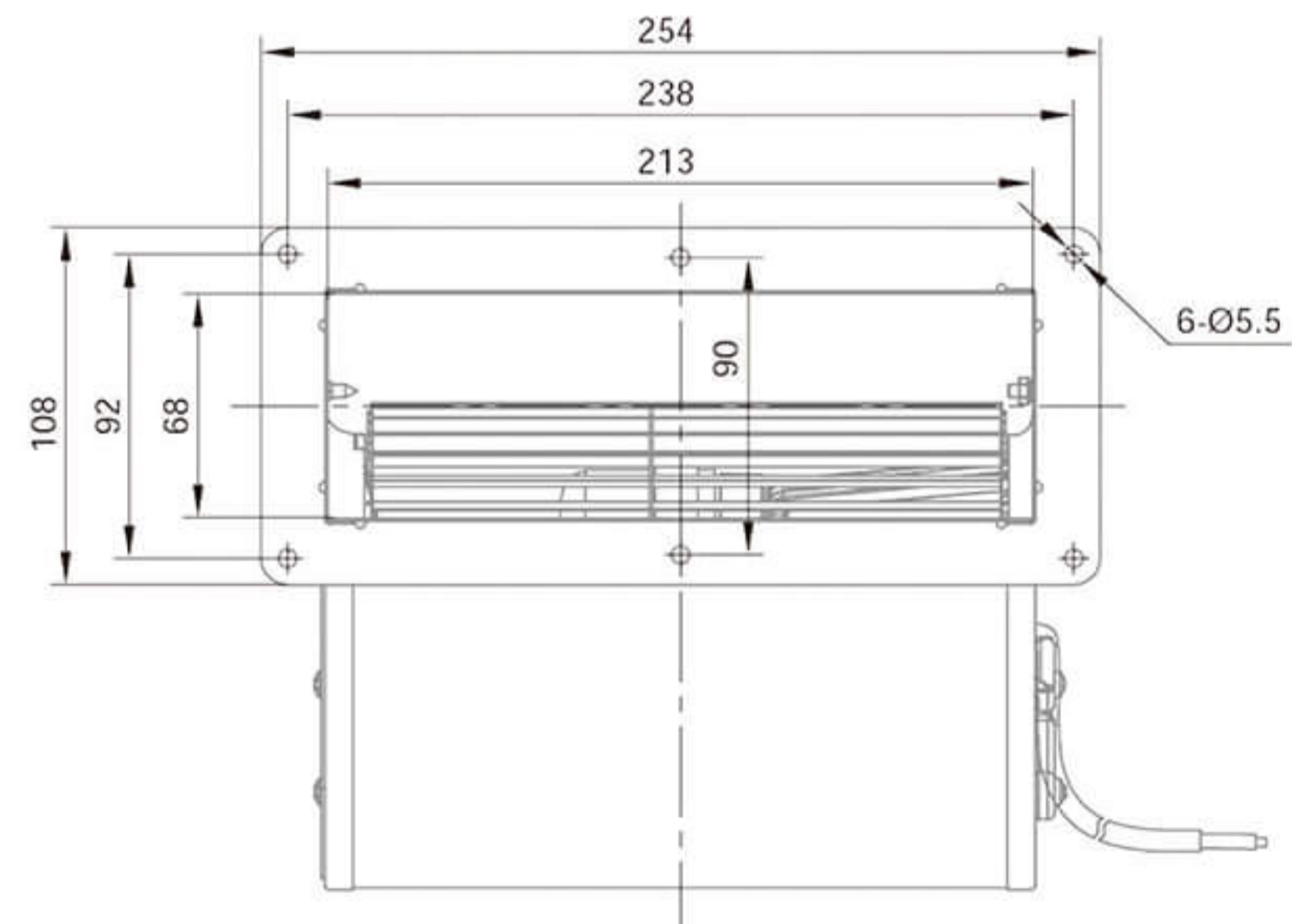
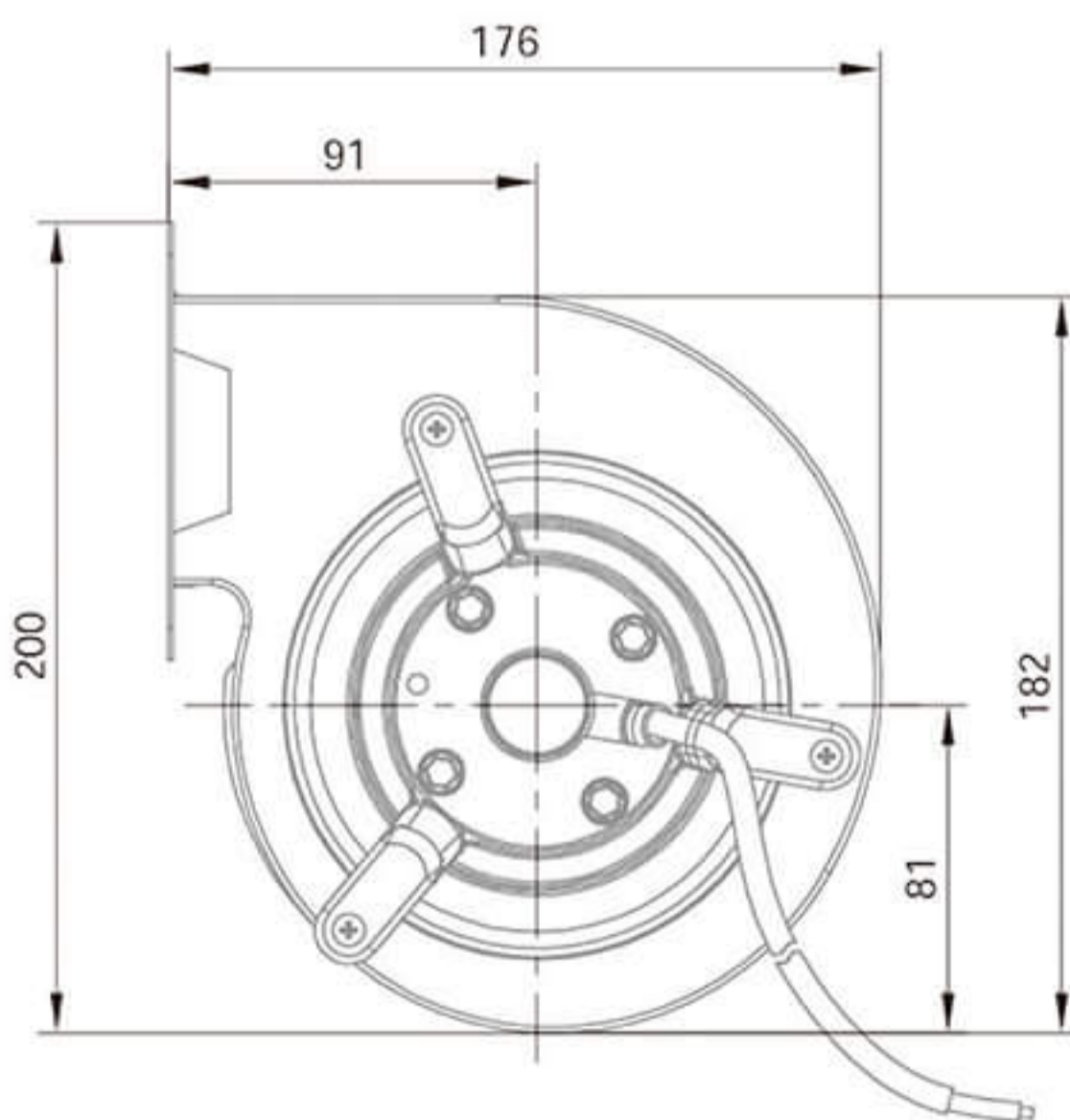
Model	Voltage (V)	Frequency (Hz)	Input Power (W)	Current (A)	Air Volume (m³/h)	Speed (r/min)	Noise [dB(A)]	Max Environmental Temperature(°C)	Weight (Kg)
BMF-6E133-PGWSAV0	230	50/60	81	0.81	886	1445	65	50	4.2

EC Dual Inlet Forward Curved Centrifugal Blower $\Phi 133$



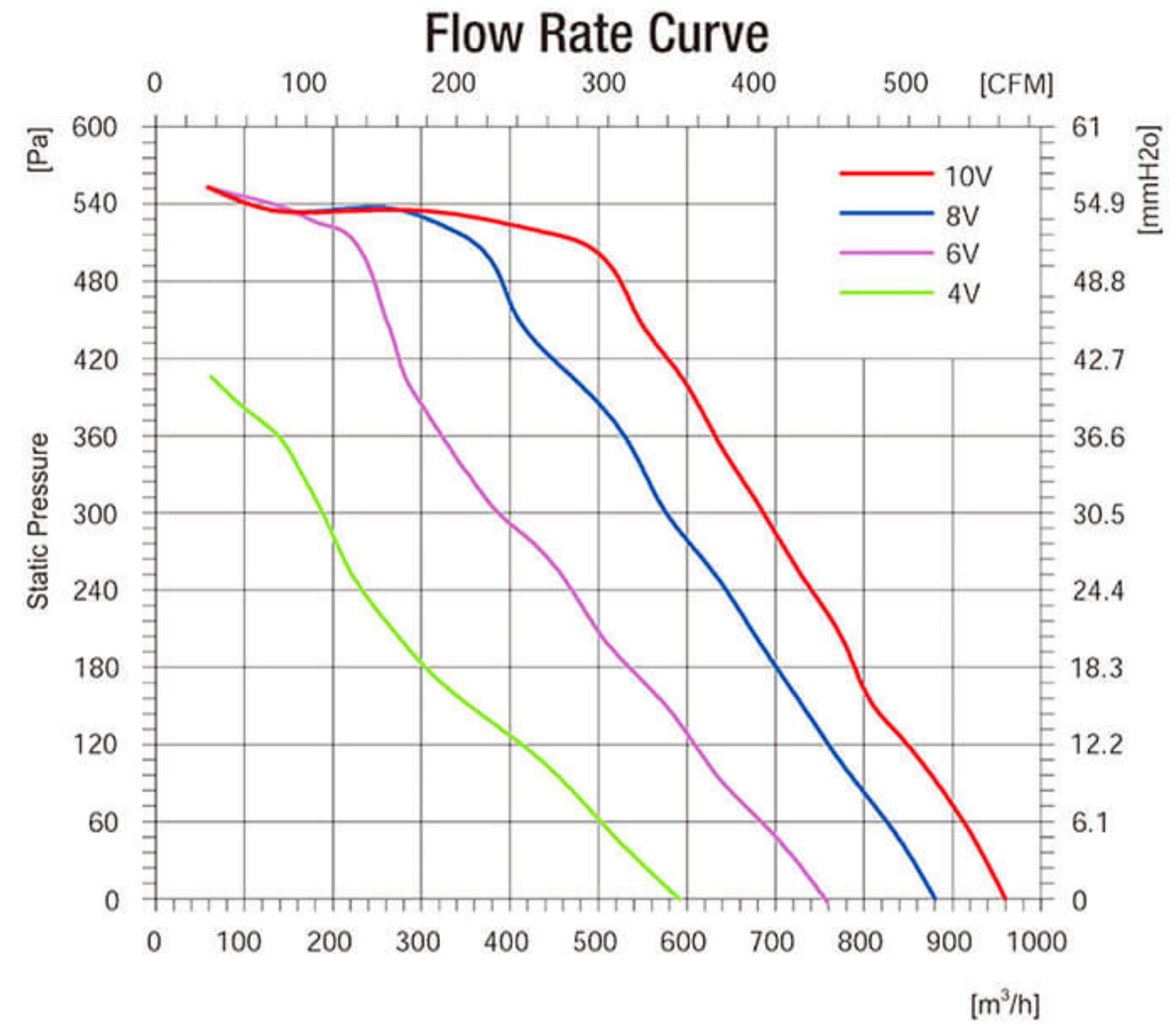
Product Characteristic

- Motor technology: EC Outer rotor
- Supply voltage: 1~, 200-277V, 50/60Hz
- Mode of Operation: S1
- Protection Class: IP54
- Insulation Class: F
- Bearings: Maintenance-free ball bearings
- Impeller Material: Galvanised sheet steel
- Housing Material: Galvanised sheet steel
- Rotation: C.C.W, seen on the leads
- Perm.amb.temp.: -25°C ~ +50°C
- Controller Integrated, 0-10V or PWM Control



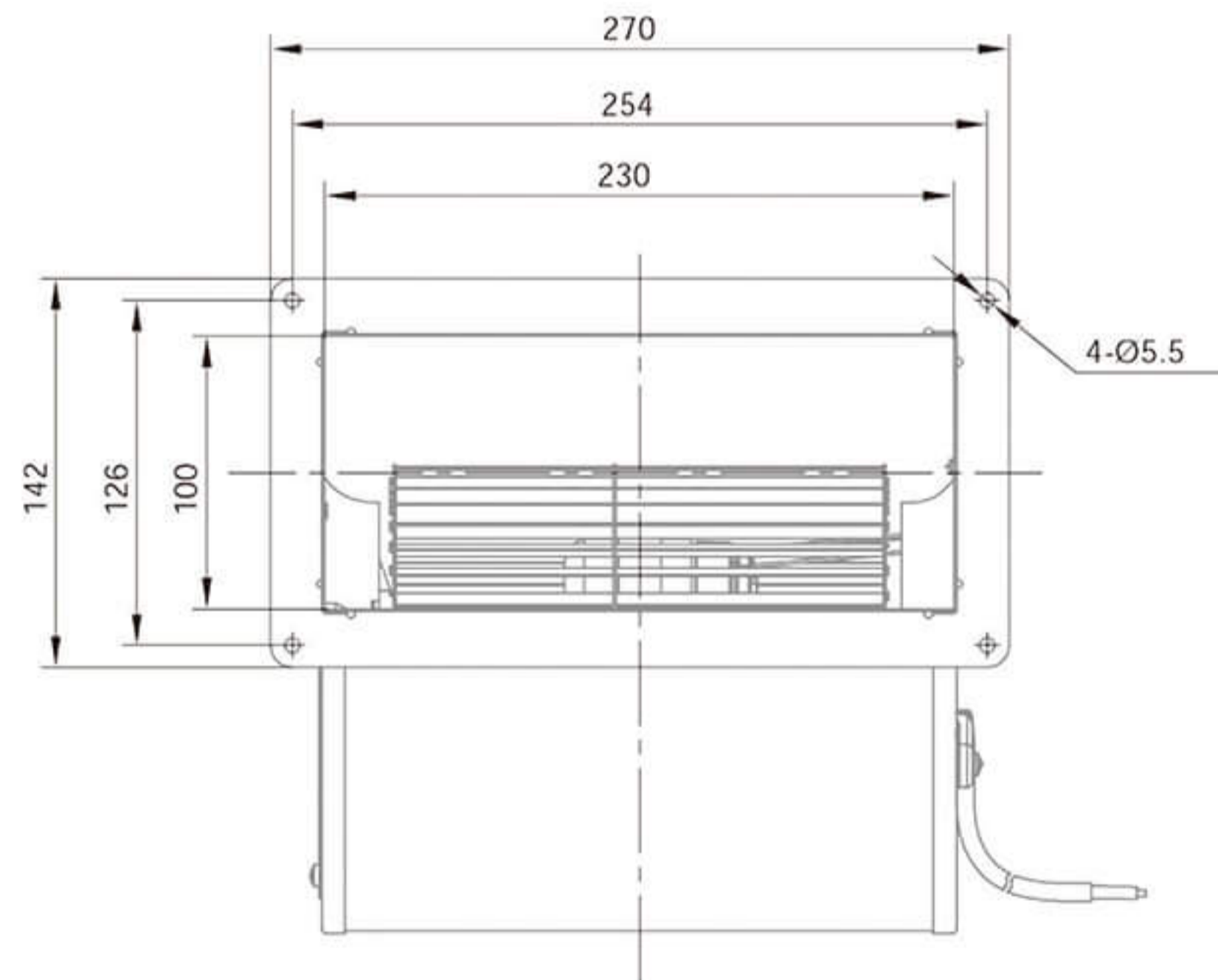
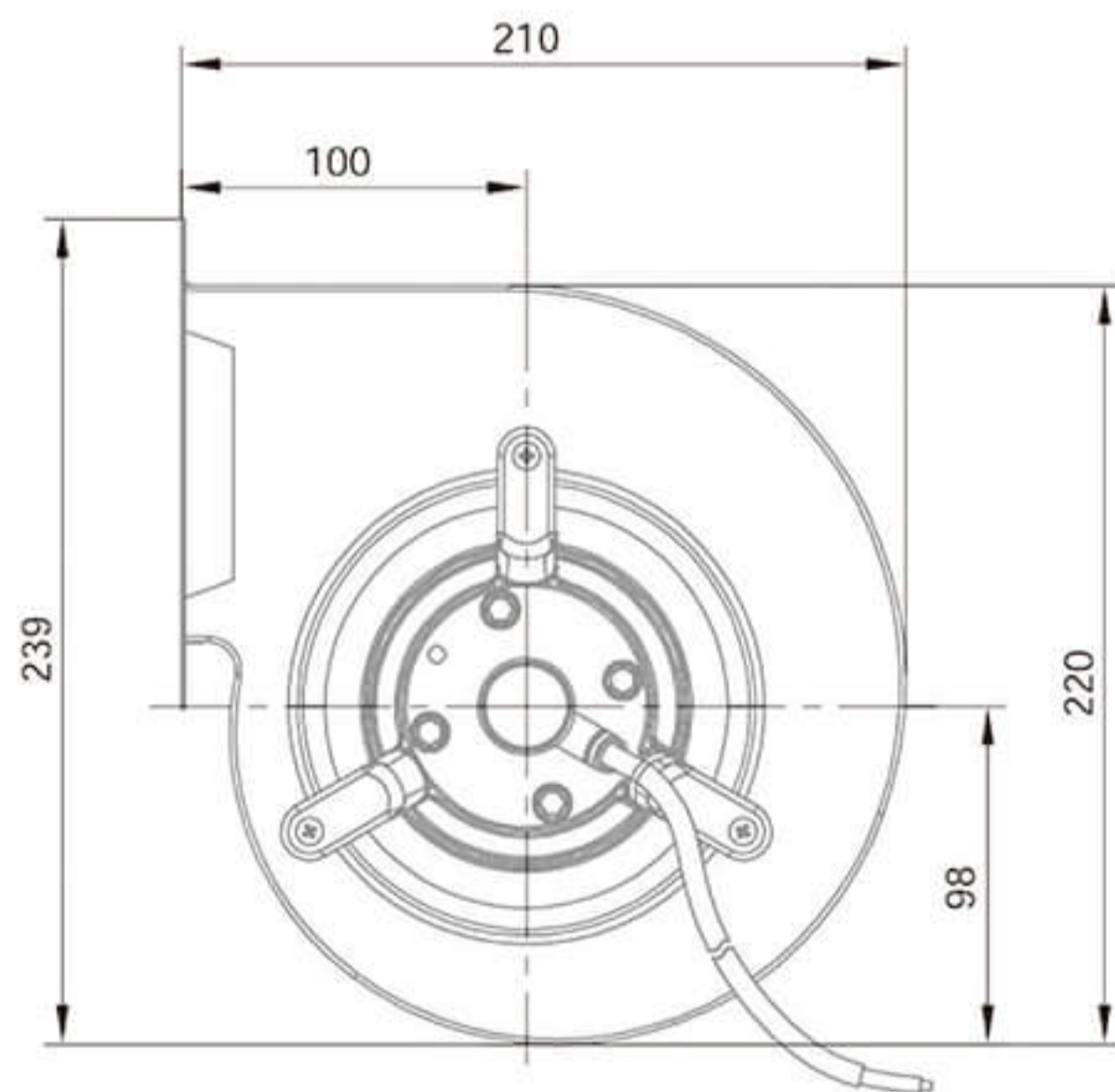
Model	Voltage (V)	Frequency (Hz)	Input Power (W)	Current (A)	Air Volume (m ³ /h)	Speed (r/min)	Noise [dB(A)]	Max Environmental Temperature(°C)	Weight (Kg)
BMF-6E133-PGWSAV1	230	50/60	188	1.36	860	2680	68	50	4.2

EC Dual Inlet Forward Curved Centrifugal Blower $\Phi 146$



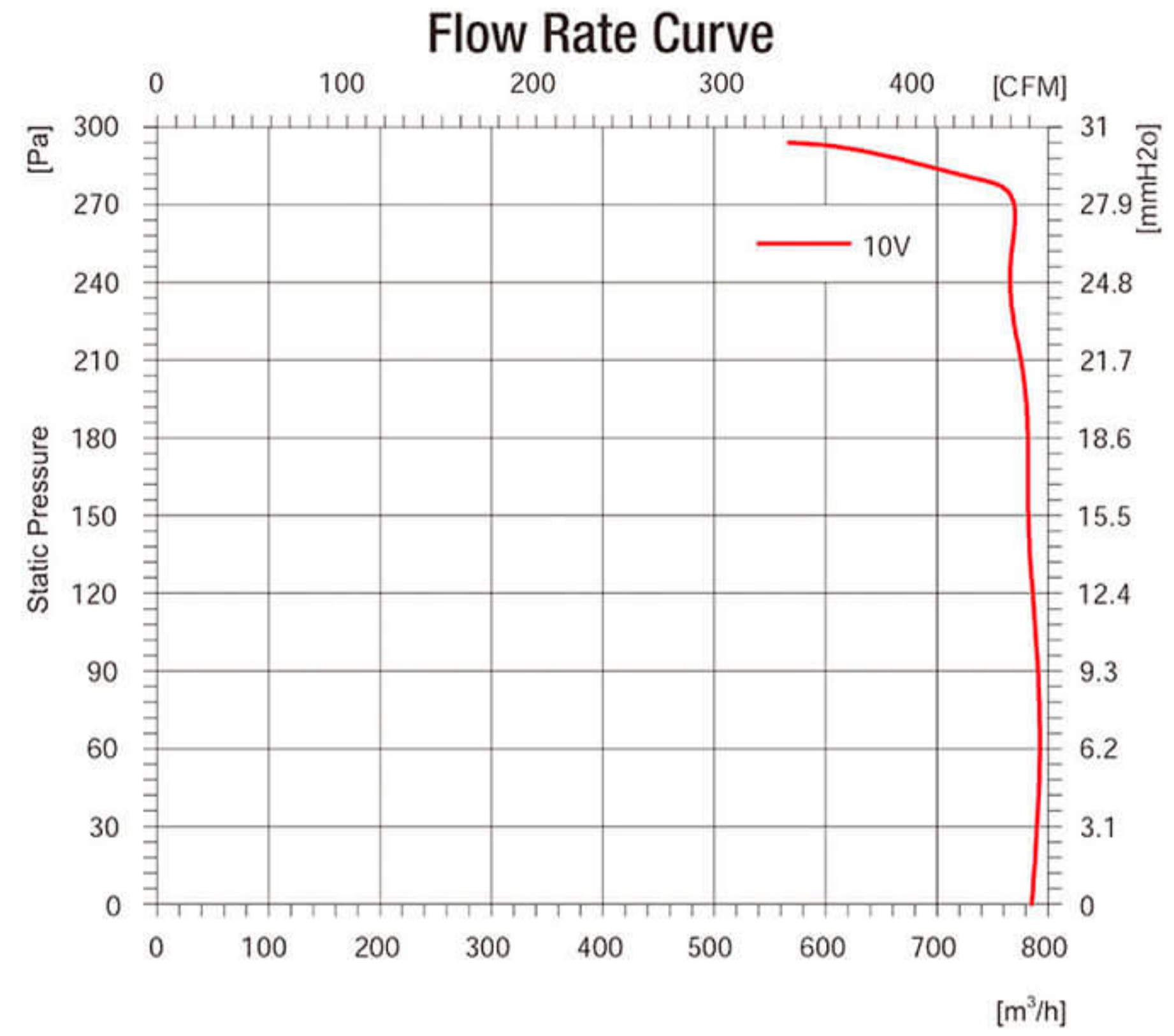
Product Characteristic

- Motor technology: EC Outer rotor
- Supply voltage: 1~, 200-277V, 50/60Hz
- Mode of Operation: S1
- Protection Class: IP54
- Insulation Class: F
- Bearings: Maintenance-free ball bearings
- Impeller Material: Galvanised sheet steel
- Housing Material: Galvanised sheet steel
- Rotation: C.C.W, seen on the leads
- Perm.amb.temp.: -25°C ~ +50°C
- Controller Integrated, 0-10V or PWM Control



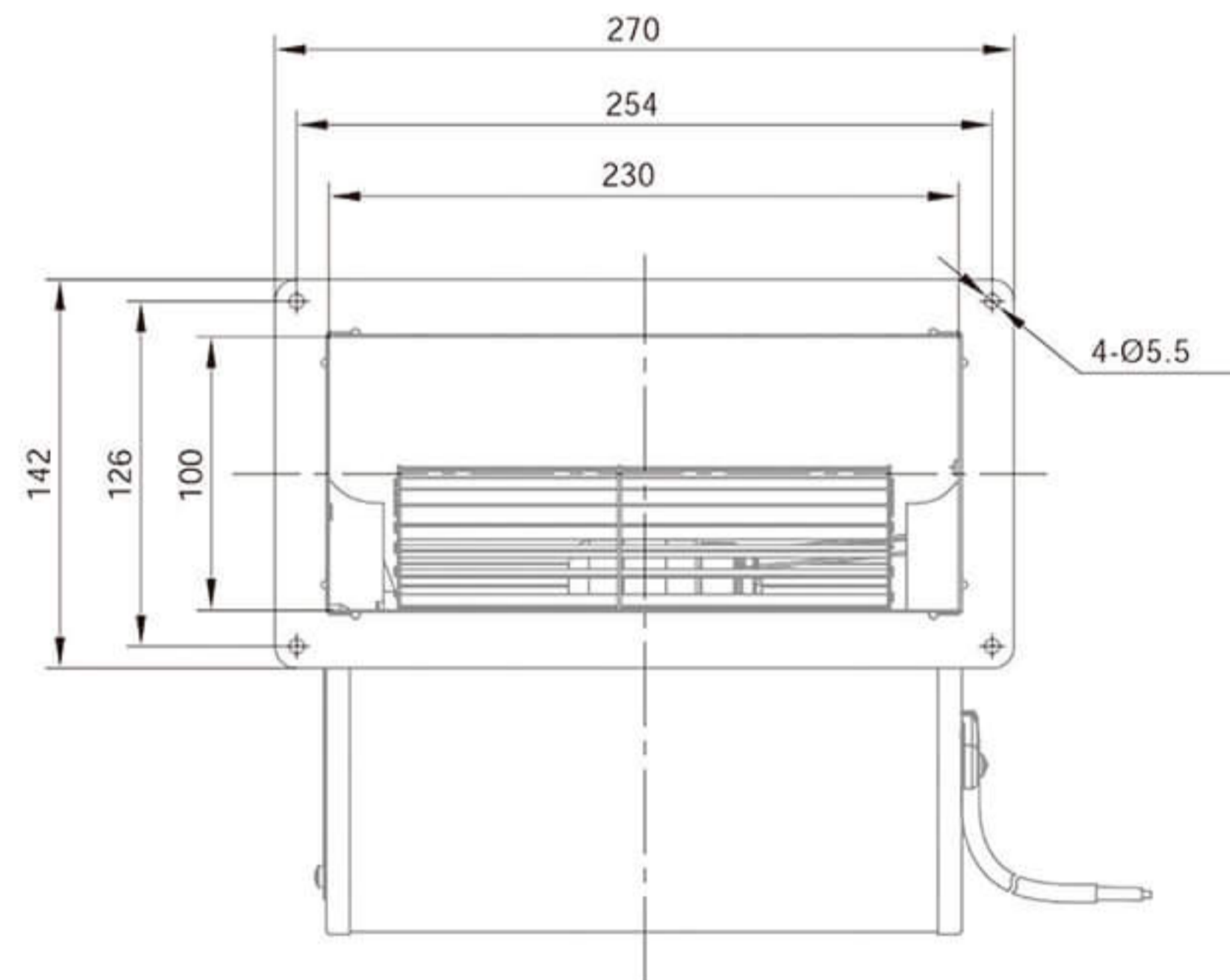
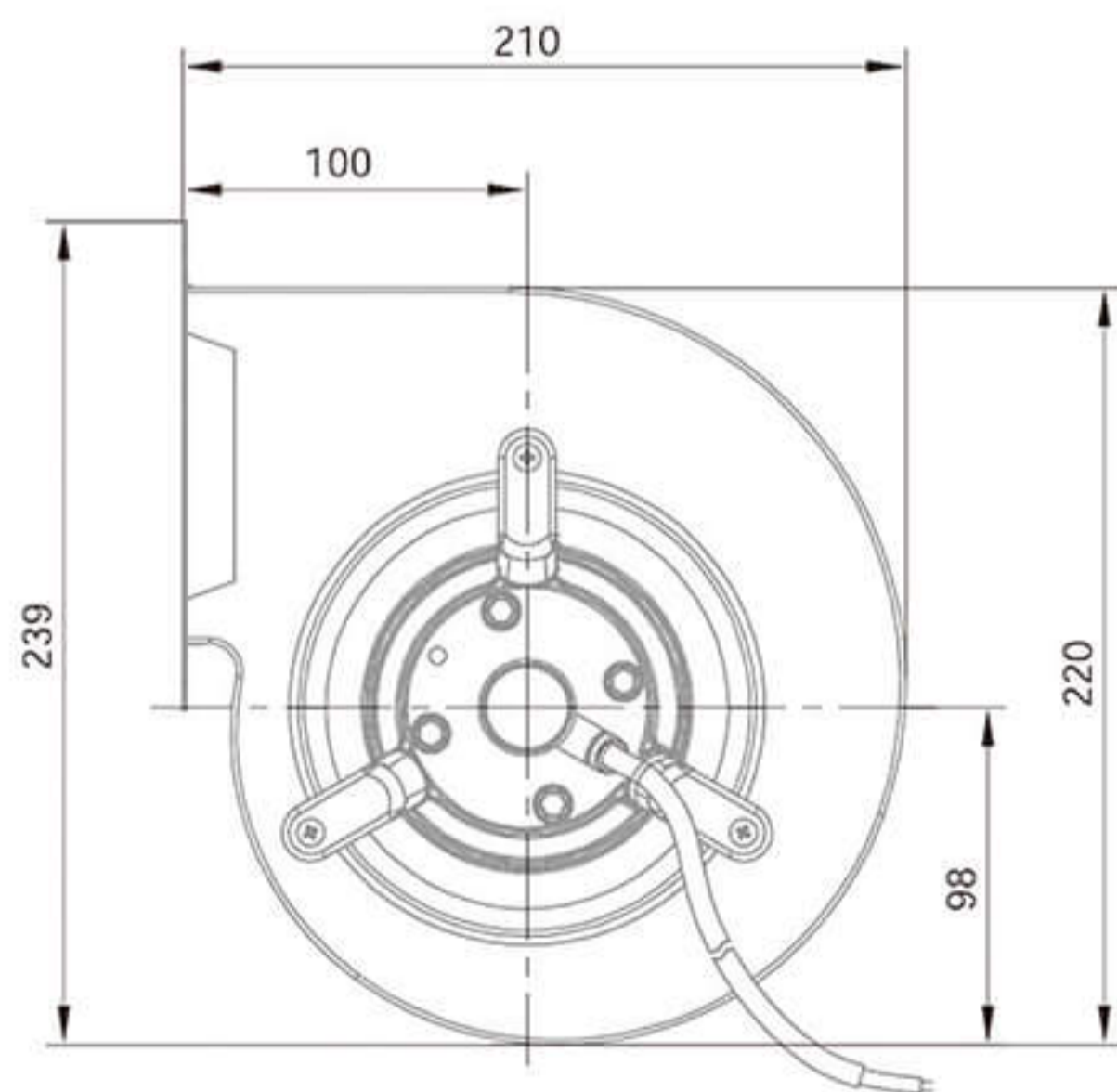
Model	Voltage (V)	Frequency (Hz)	Input Power (W)	Current (A)	Air Volume (m³/h)	Speed (r/min)	Noise [dB(A)]	Max Environmental Temperature(°C)	Weight (Kg)
BMF- 6E146-PGWSAV0	230	50/60	163	1.2	1000	2500	65	50	4.5

EC Dual Inlet Forward Curved Centrifugal Blower $\Phi 146$



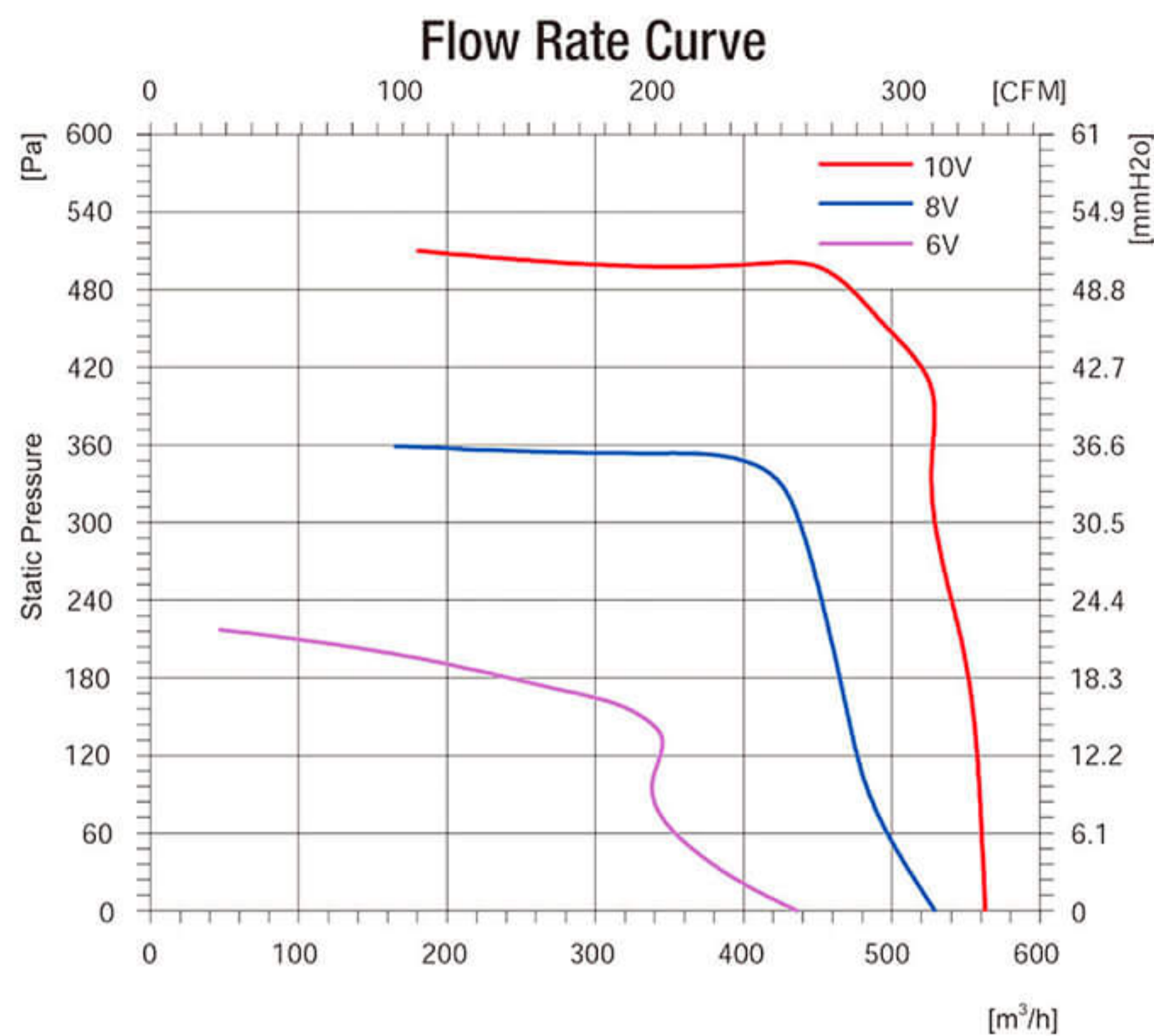
Product Characteristic

- Motor technology: EC Outer rotor
- Supply voltage: 1~, 200-277V, 50/60Hz
- Mode of Operation: S1
- Protection Class: IP54
- Insulation Class: F
- Bearings: Maintenance-free ball bearings
- Impeller Material: Galvanised sheet steel
- Housing Material: Galvanised sheet steel
- Rotation: Clockwise, seen on the leads
- Perm.amb.temp.: -25°C ~ +50°C
- Controller Integrated, 0-10V or PWM Control



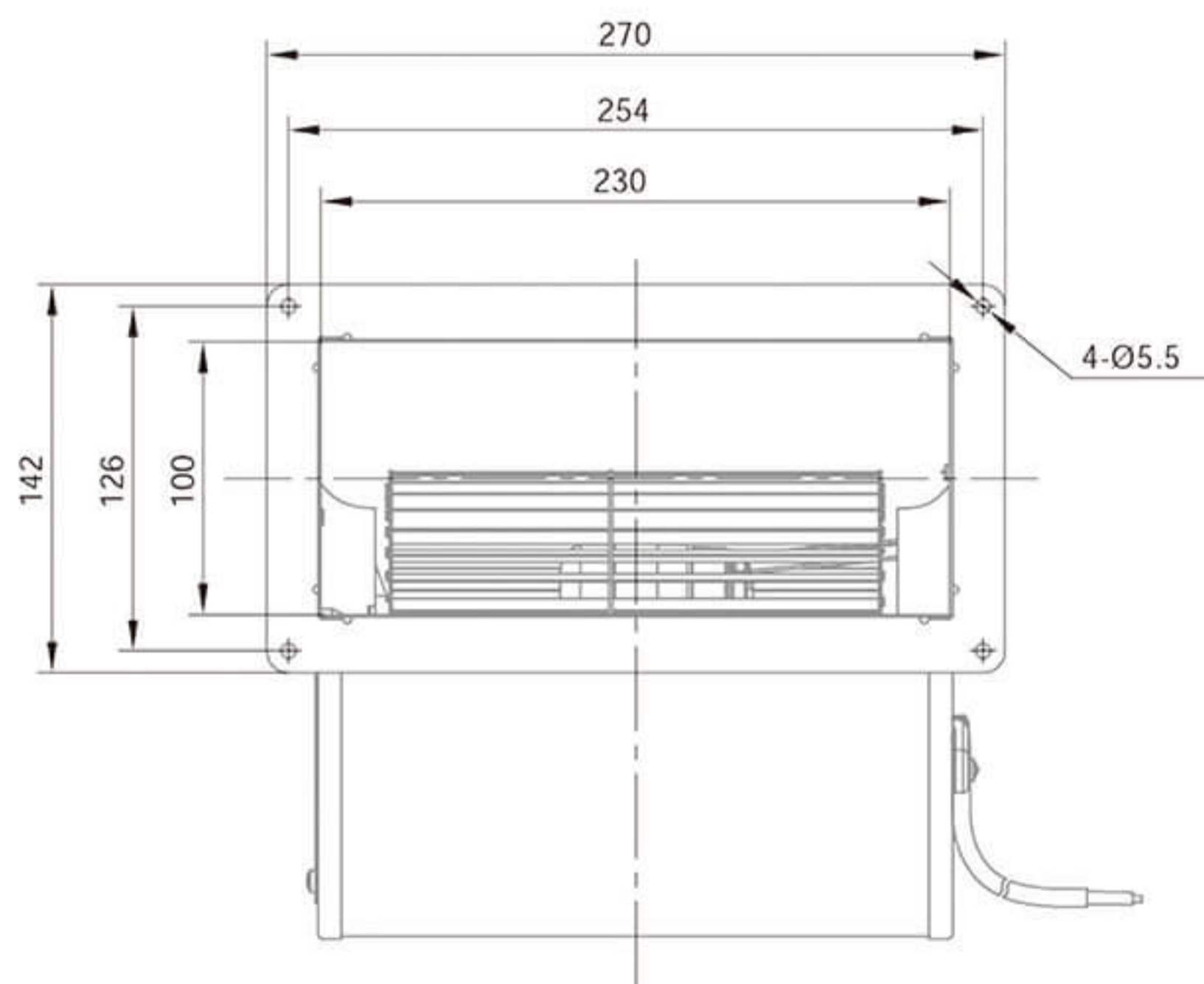
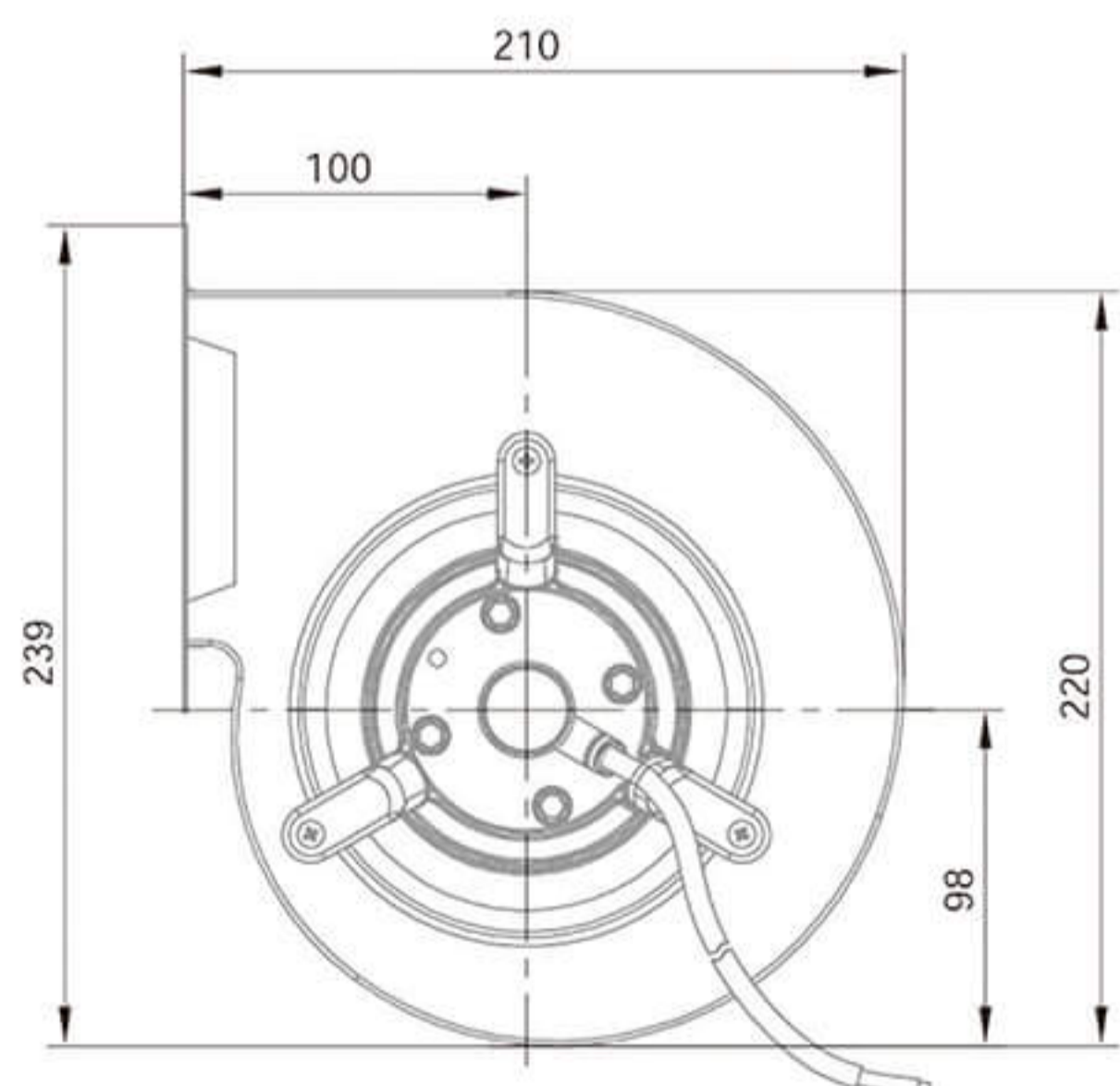
Model	Voltage (V)	Frequency (Hz)	Input Power (W)	Current (A)	Air Volume (m³/h)	Speed (r/min)	Noise [dB(A)]	Max Environmental Temperature(°C)	Weight (Kg)
BMF-6E146-PGWSBV2	230	50/60	167	1.17	790	2070	63	50	4.5

EC Dual Inlet Forward Curved Centrifugal Blower $\Phi 146$



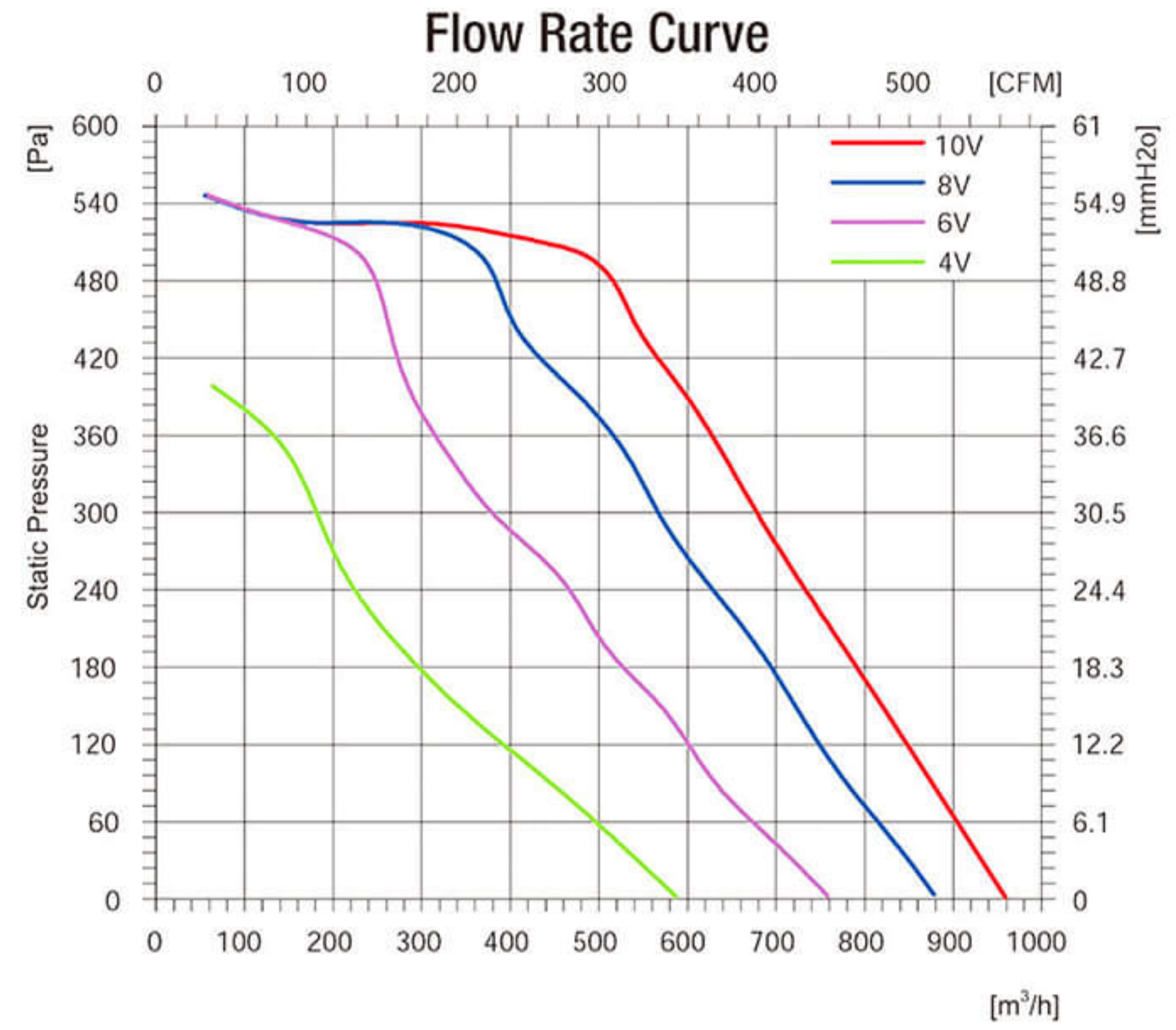
Product Characteristic

- Motor technology: EC Outer rotor
- Supply voltage: 1~, 200-277V, 50/60Hz
- Mode of Operation: S1
- Protection Class: IP54
- Insulation Class: F
- Bearings: Maintenance-free ball bearings
- Impeller Material: Galvanised sheet steel
- Housing Material: Galvanised sheet steel
- Rotation: C.C.W, seen on the leads
- Perm.amb.temp.: -25°C ~ +50°C
- Controller Integrated, 0-10V or PWM Control



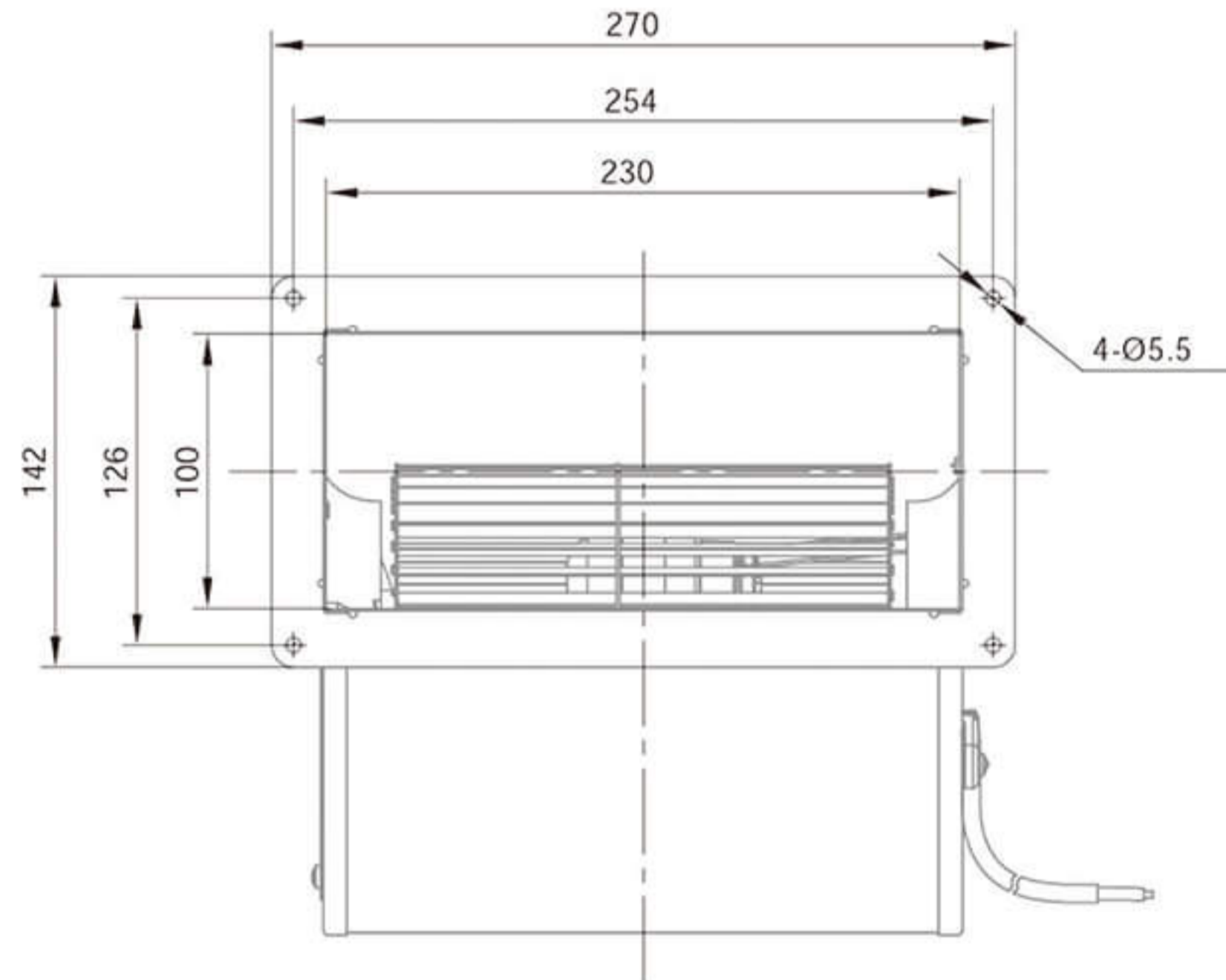
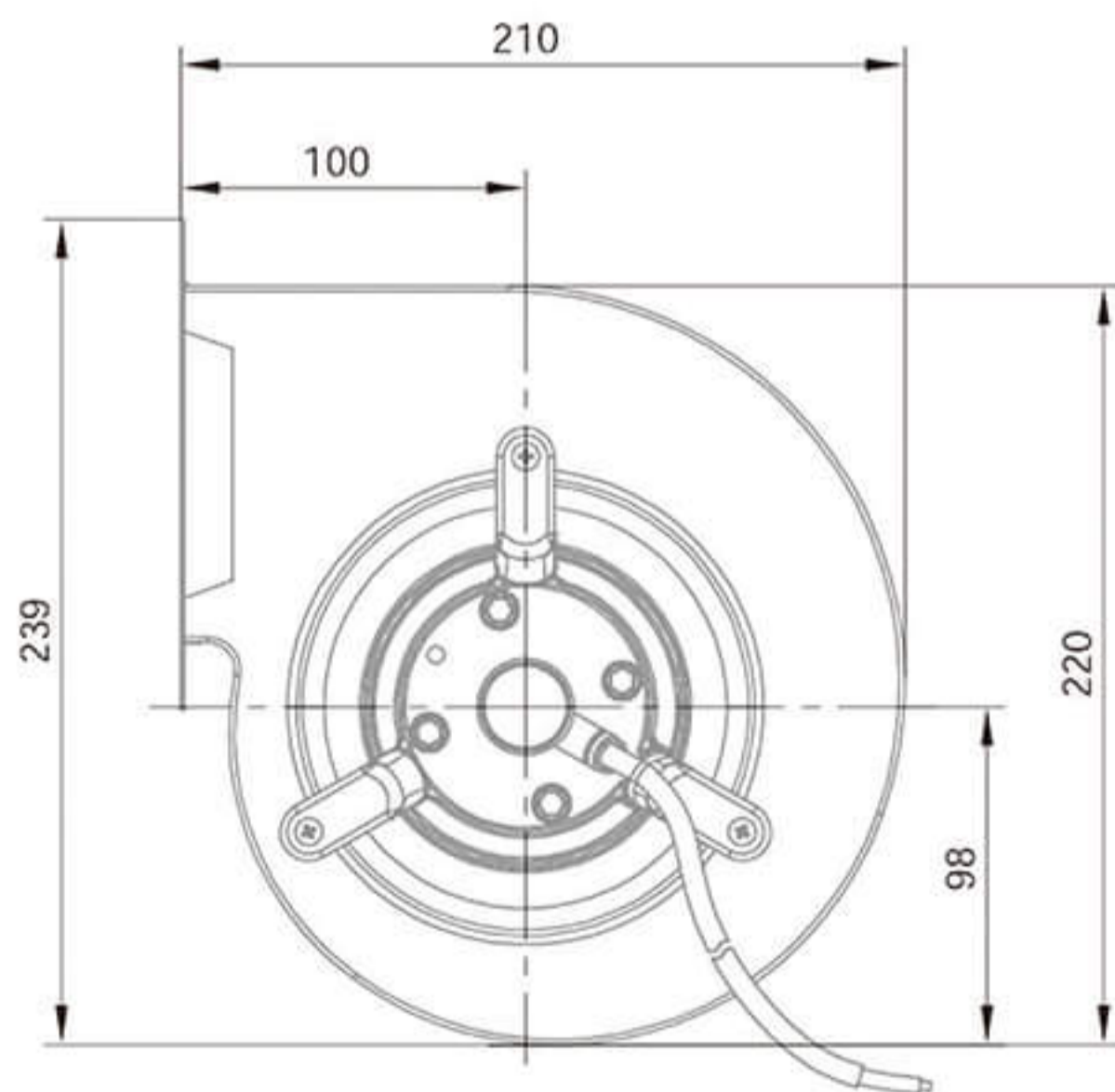
Model	Voltage (V)	Frequency (Hz)	Input Power (W)	Current (A)	Air Volume (m³/h)	Speed (r/min)	Noise [dB(A)]	Max Environmental Temperature(°C)	Weight (Kg)
BMF- 6E146-PGWSAV3	230	50/60	126	1.0	560	2370	61	50	4.5

EC Dual Inlet Forward Curved Centrifugal Blower $\Phi 146$



Product Characteristic

- Motor technology: EC Outer rotor
- Supply voltage: 1~, 200-277V, 50/60Hz
- Mode of Operation: S1
- Protection Class: IP54
- Insulation Class: F
- Bearings: Maintenance-free ball bearings
- Impeller Material: Galvanised sheet steel
- Housing Material: Galvanised sheet steel
- Rotation: C.C.W, seen on the leads
- Perm.amb.temp.: -25°C ~ +50°C
- Controller Integrated, 0-10V or PWM Control



Model	Voltage (V)	Frequency (Hz)	Input Power (W)	Current (A)	Air Volume (m³/h)	Speed (r/min)	Noise [dB(A)]	Max Environmental Temperature(°C)	Weight (Kg)
BMF- 6E146-PGWSAV4	230	50/60	166	1.25	960	2360	65	50	4.5