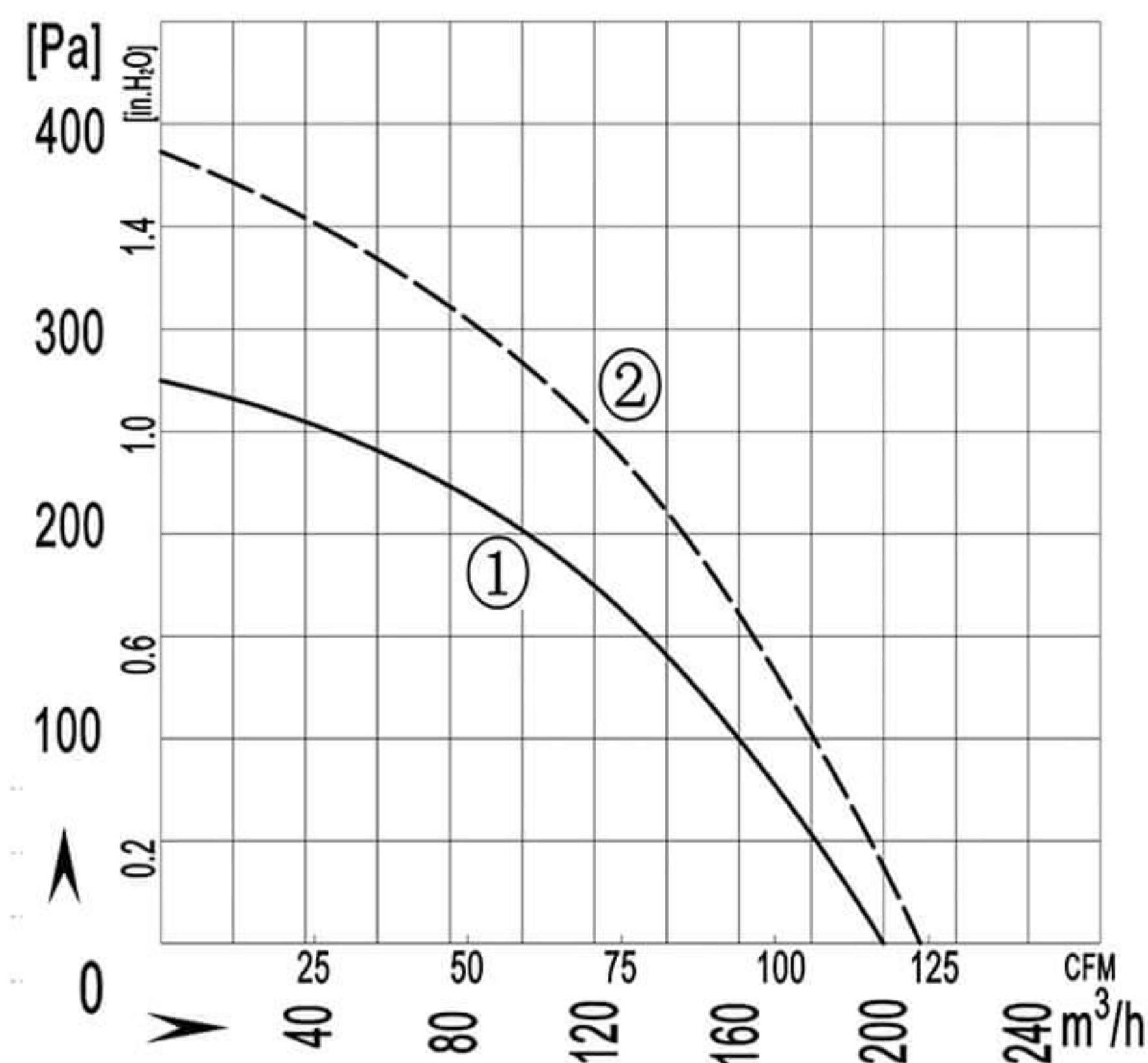


120-60W Forward Centrifugal Fan

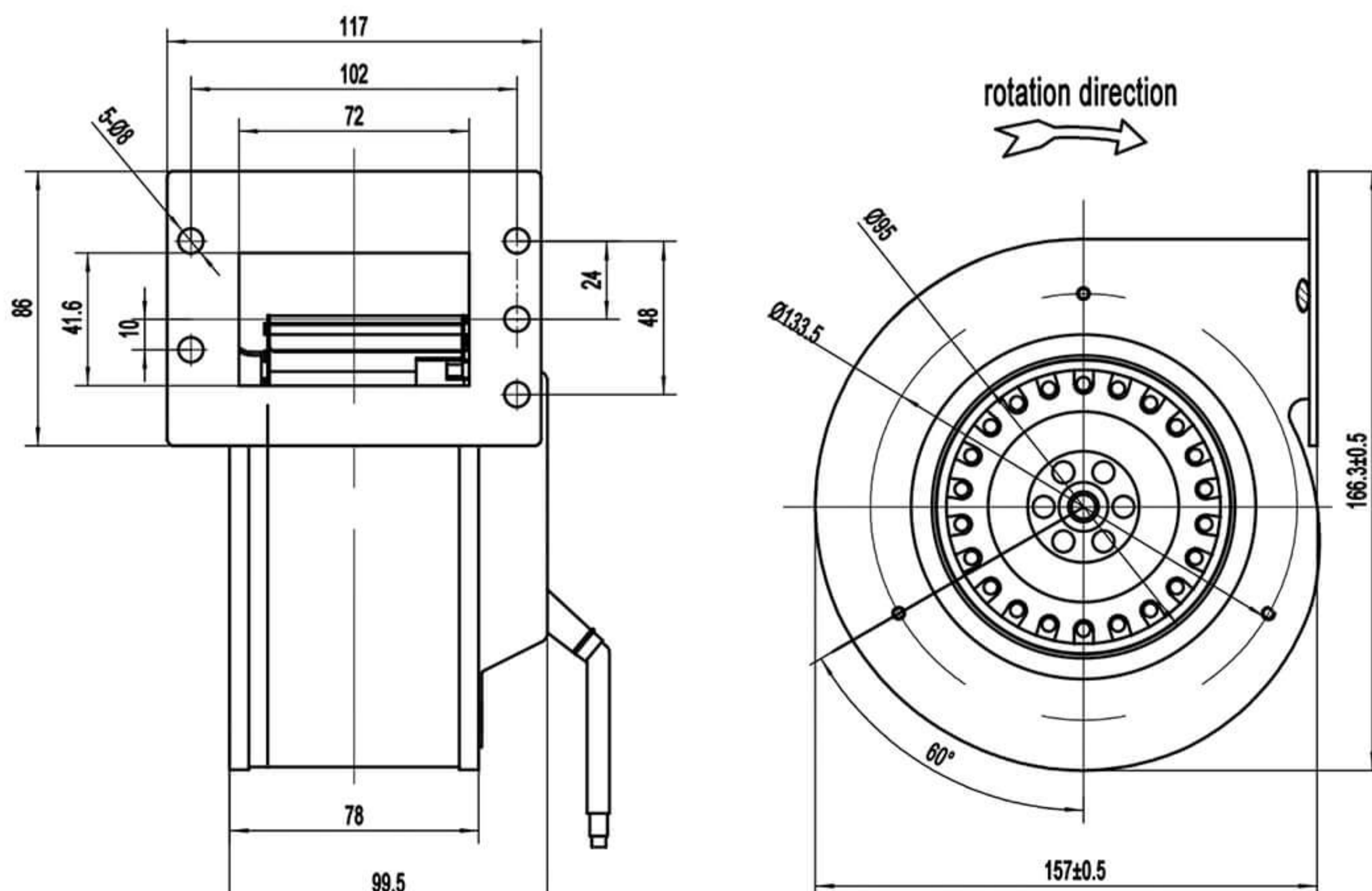


material: Galvanised sheet steel

Protection Class: IP44

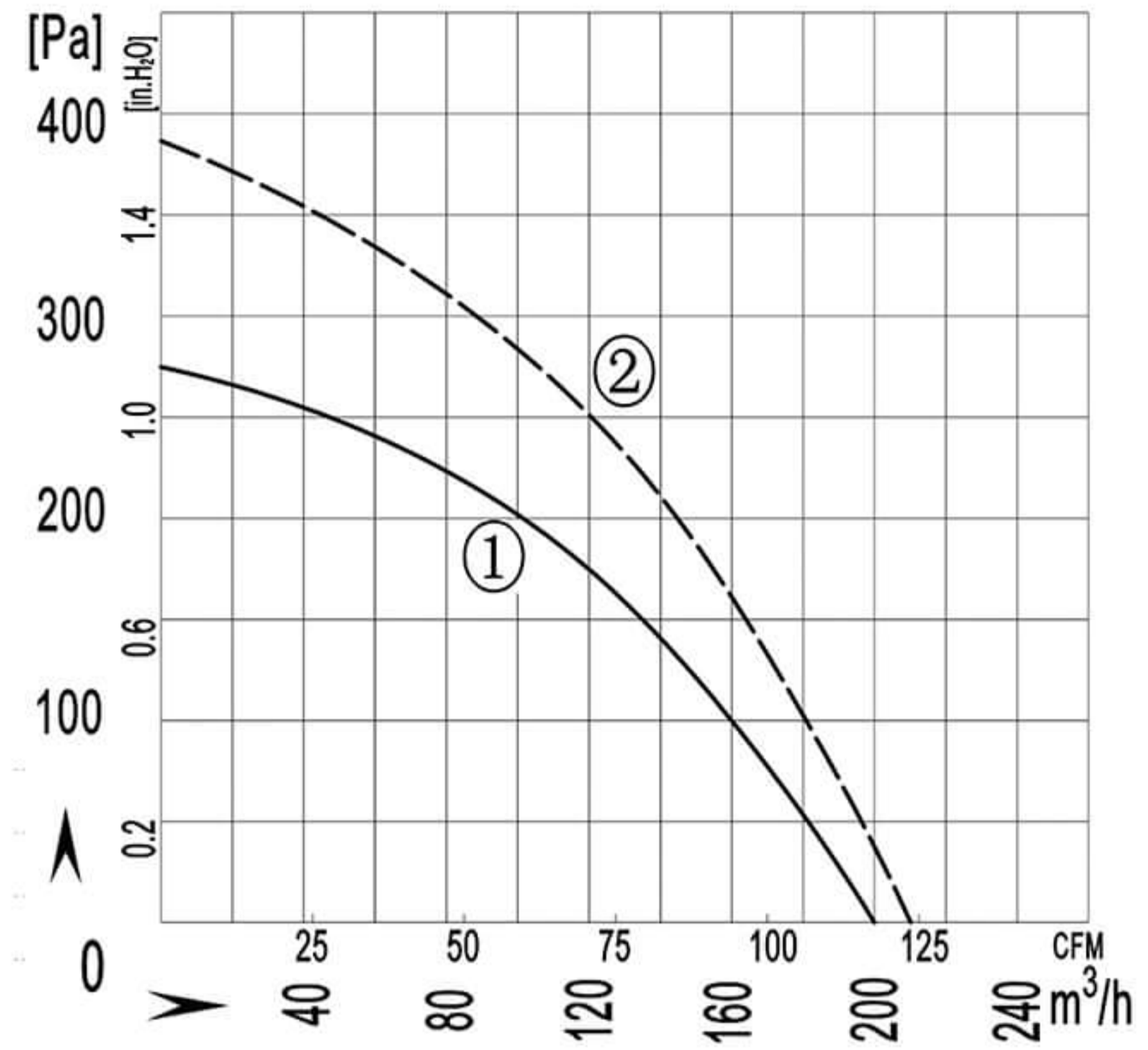
Approvals: CCC CE

Insulation class: F

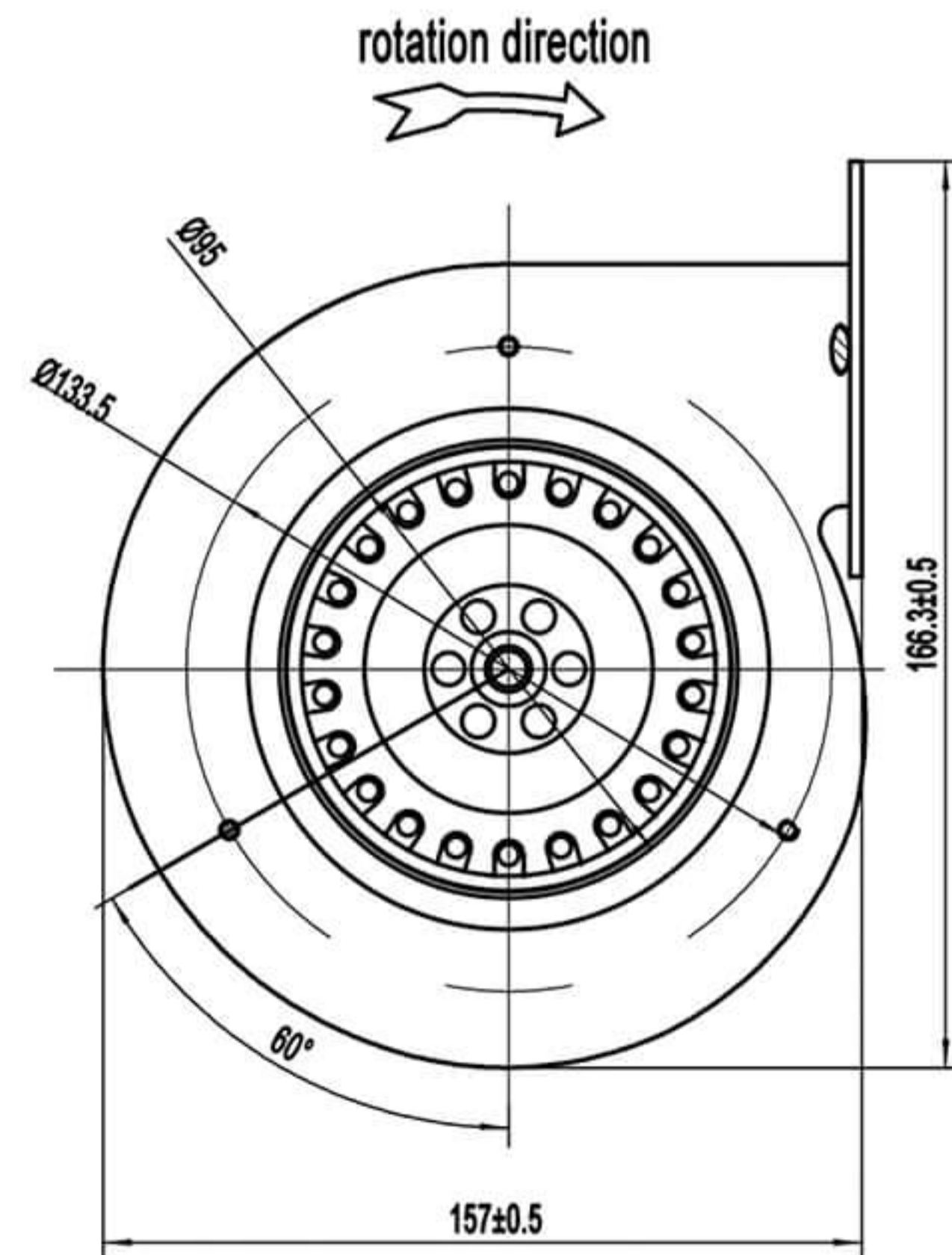
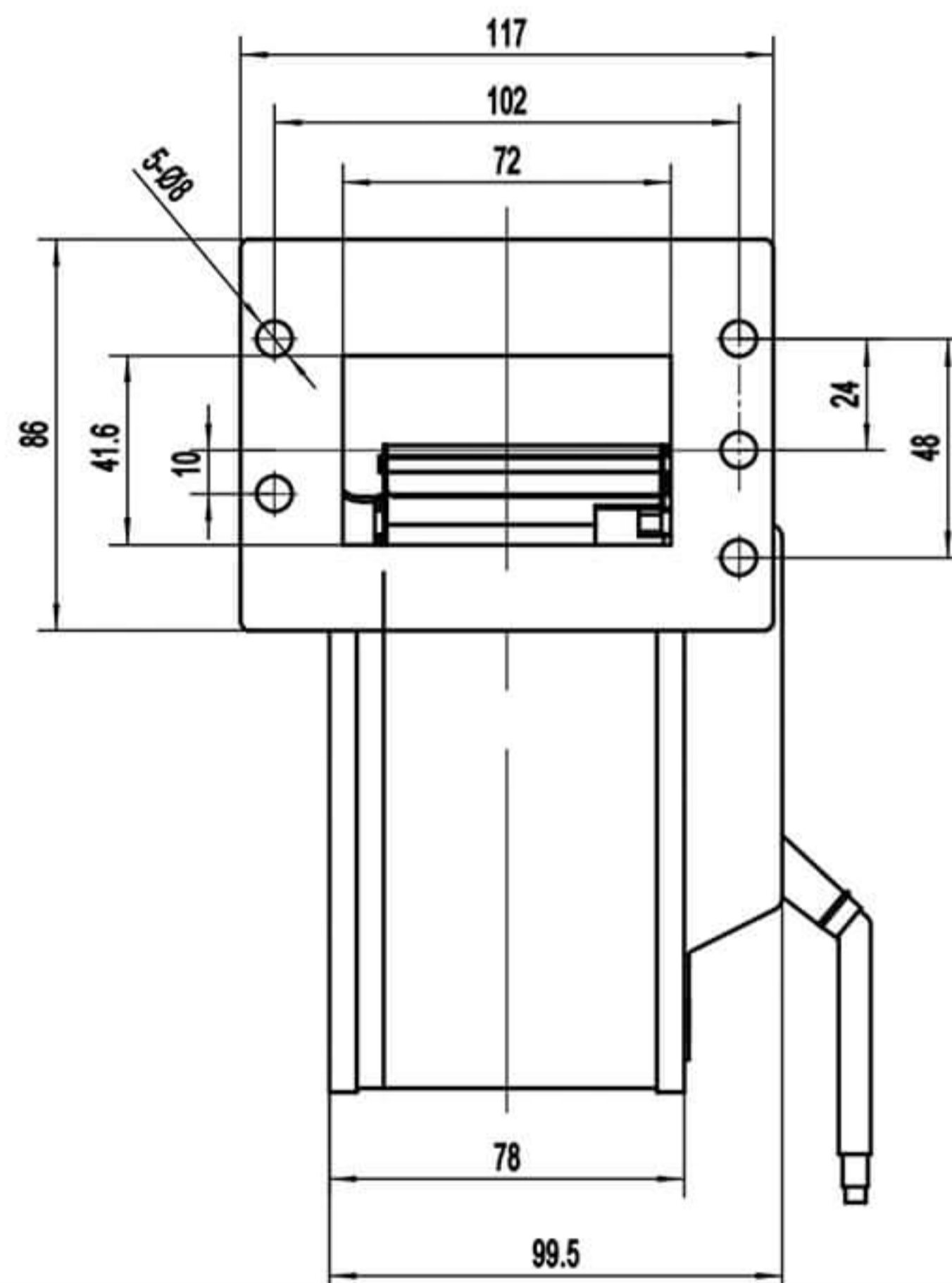


Type	Voltage V	Frequency Hz	Current A	Input Power W	Speed rpm	Capacitor µF	Air Flow m ³ /h / CFM	Noise dB(A)	Temperature Min / Max(°C)	Curve No. #	Approvals
BMF120-060W-AA00	220/230	50	0.27	58	2400	1.5	200 / 120	51	-30 / +60	①	CCC,CE,RoHS
	220/230	60	0.33	73	2500	1.5	210 / 124	53	-30 / +60	②	CCC,CE,RoHS

120-60W Forward Centrifugal Fan

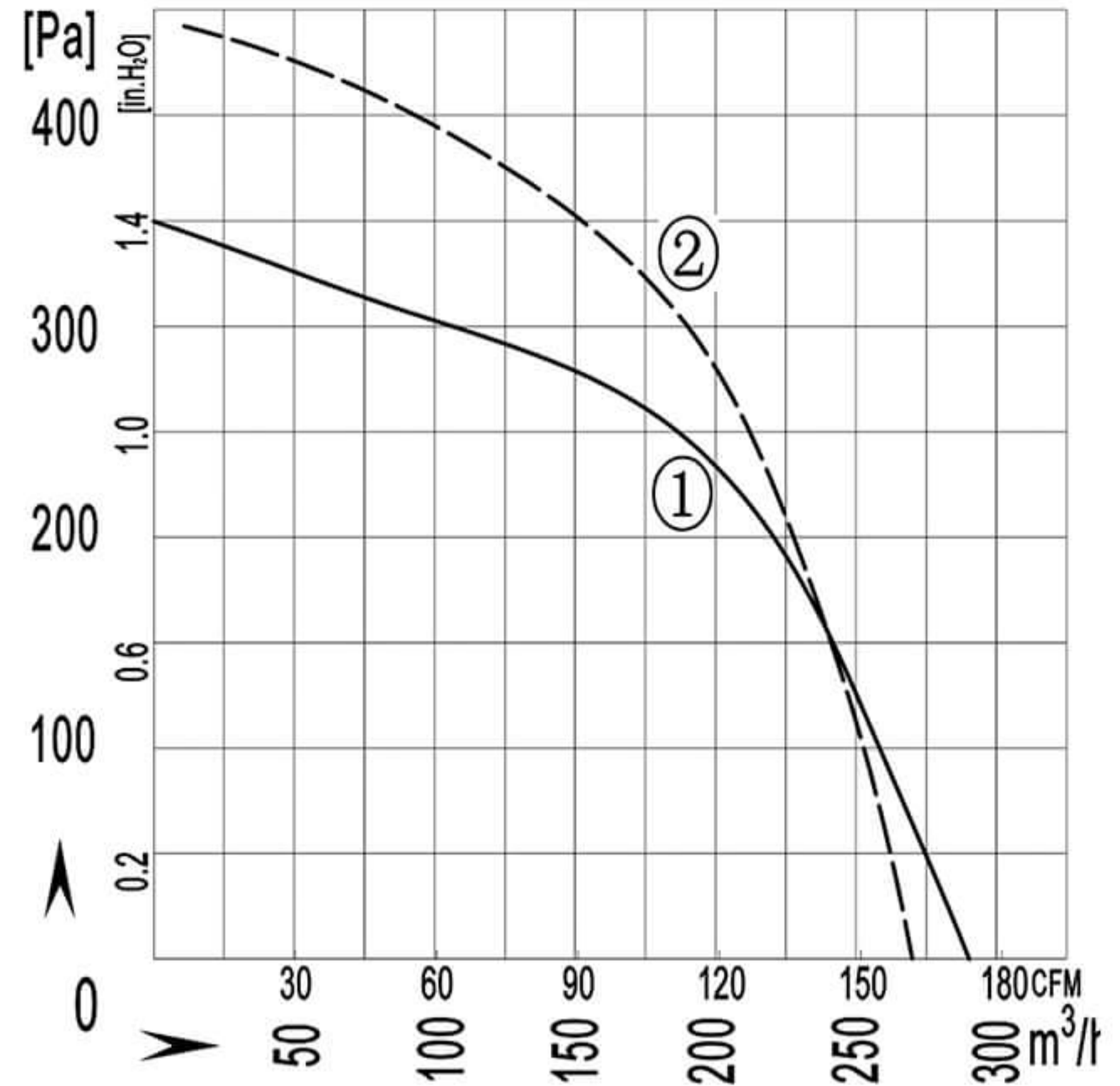


material: Galvanised sheet steel
 Protection Class: IP44
 Approvals: CCC CE
 Insulation class: F

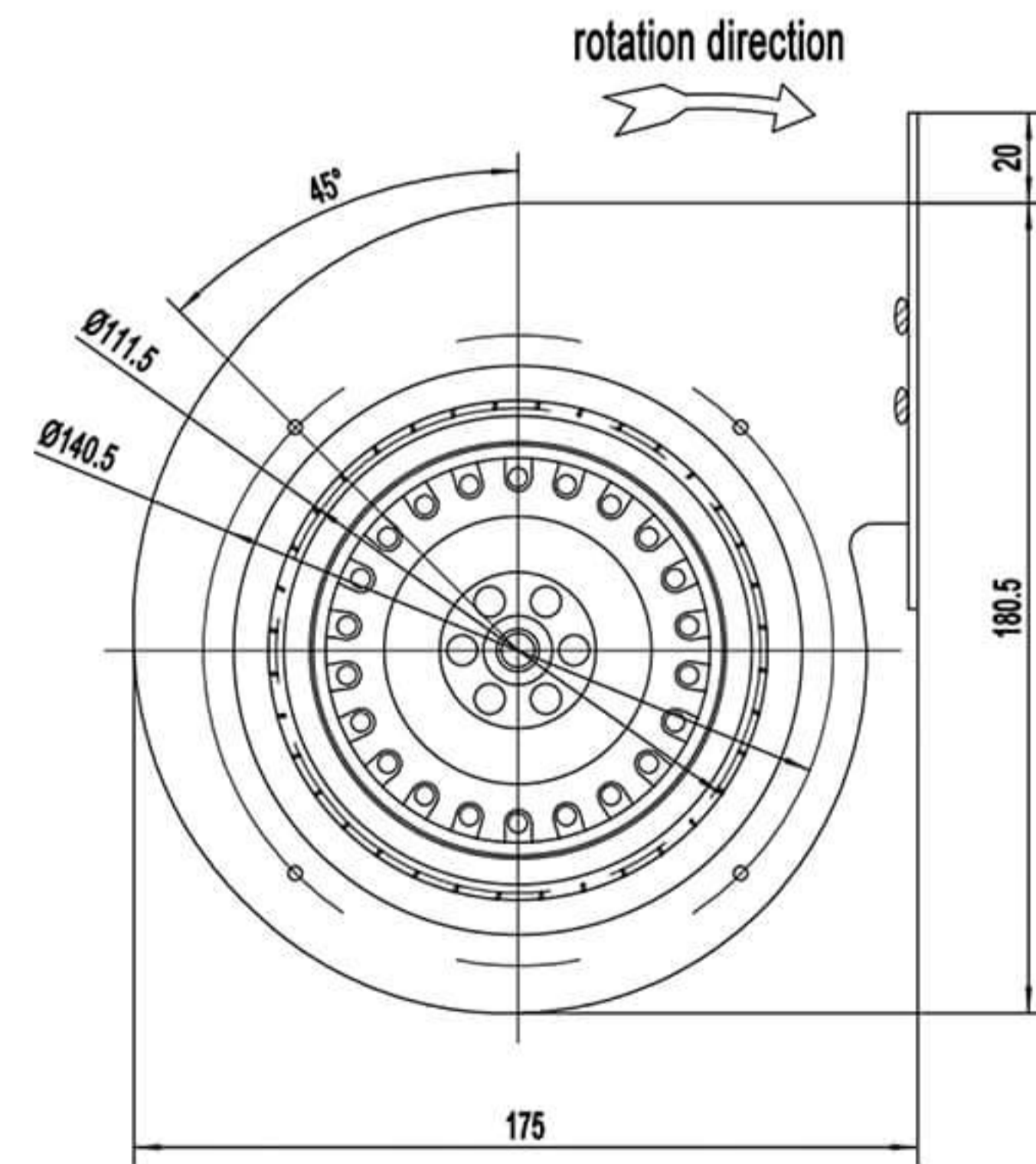
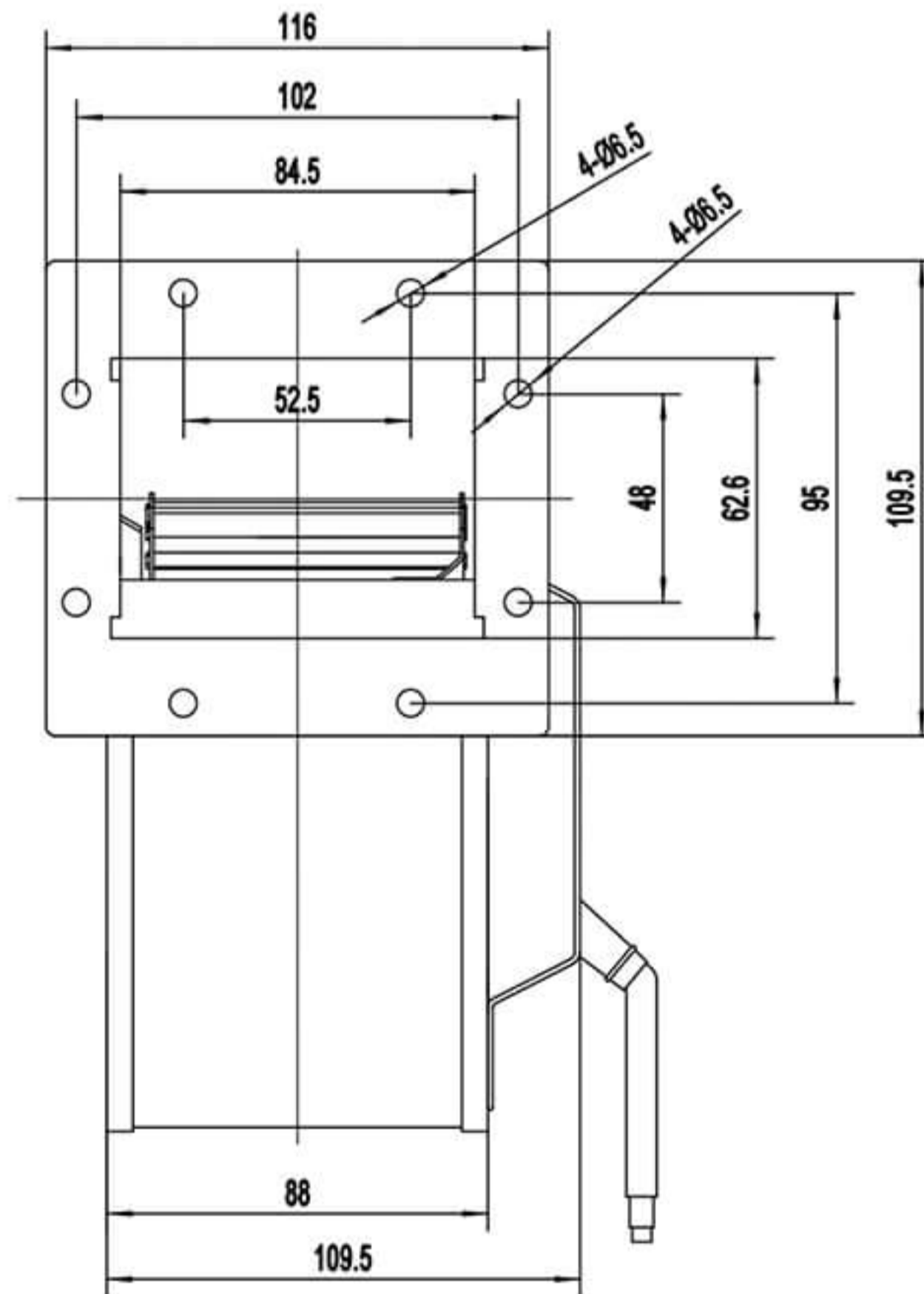


Type	Voltage V	Frequency Hz	Current A	Input Power W	Speed rpm	Capacitor µF	Air Flow m ³ /h / CFM	Noise dB(A)	Temperature Min / Max(°C)	Curve No. #	Approvals
BMF120-060W-AA00	220/230	50	0.27	58	2400	1.5	200 / 120	51	-30 / +60	①	CCC,CE,RoHS
	220/230	60	0.33	73	2500	1.5	210 / 124	53	-30 / +60	②	CCC,CE,RoHS

133-73W Forward Centrifugal Fan

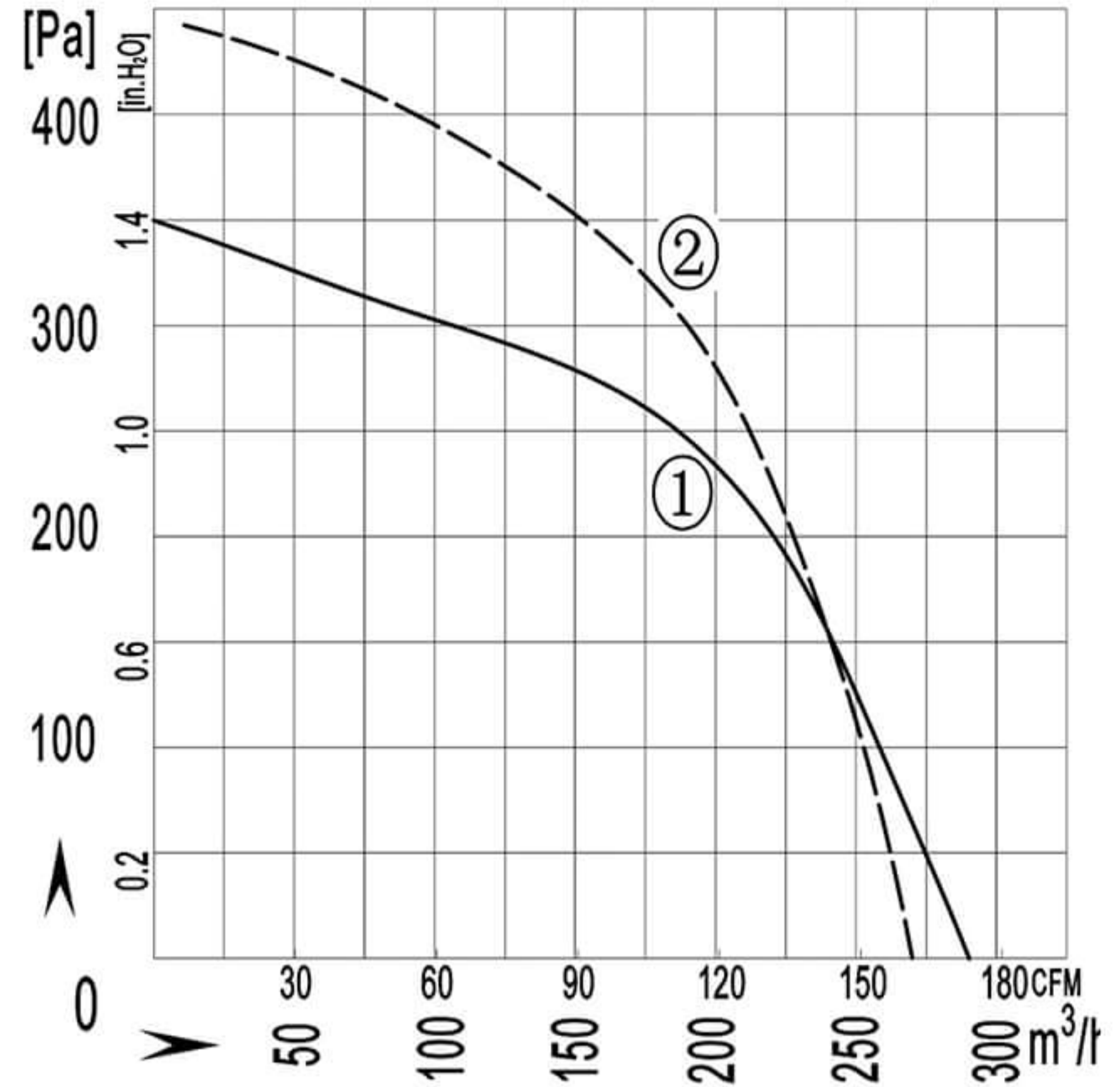


material: Galvanised sheet steel
 Protection Class: IP44
 Approvals: CCC CE
 Insulation class: F

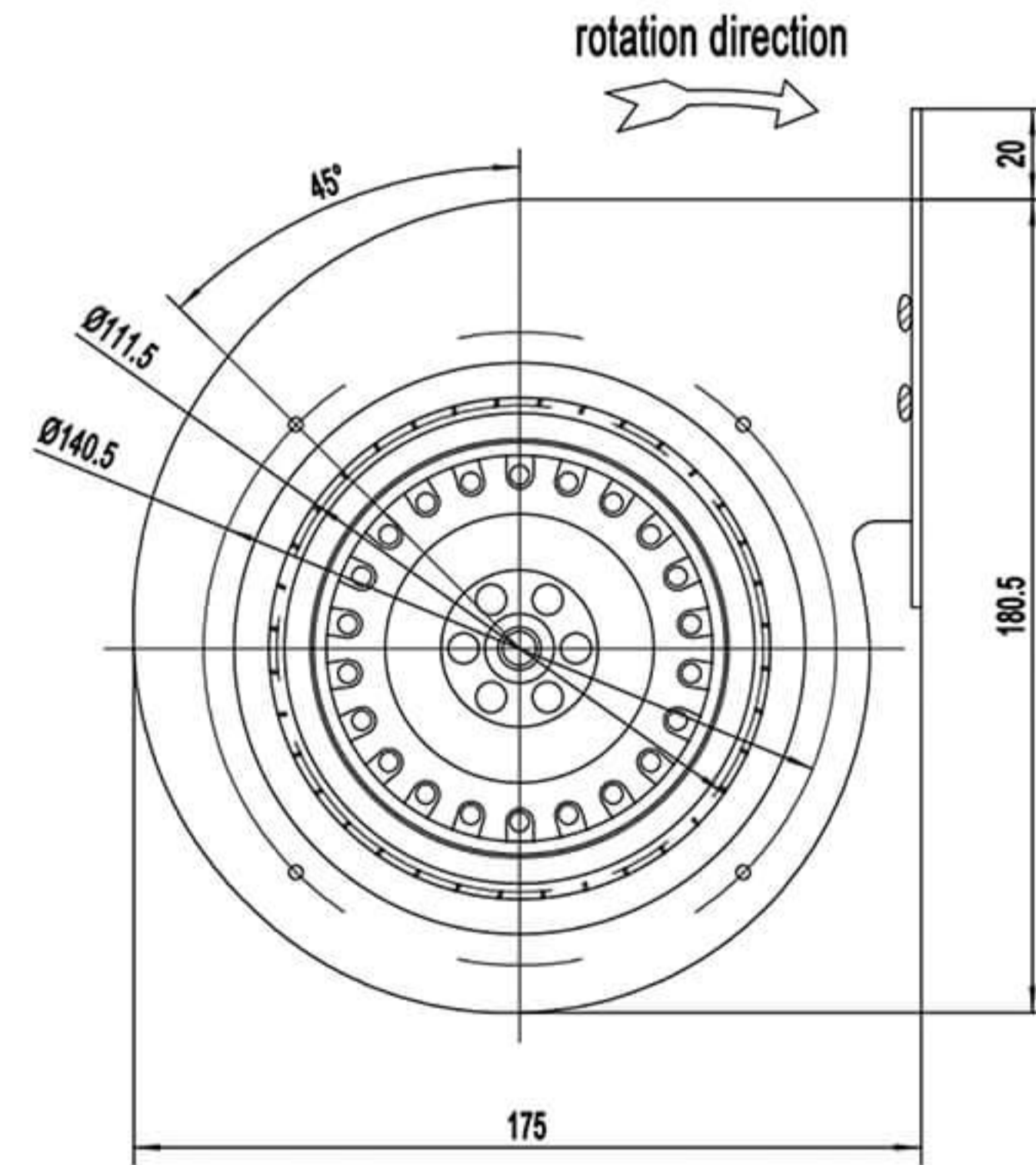
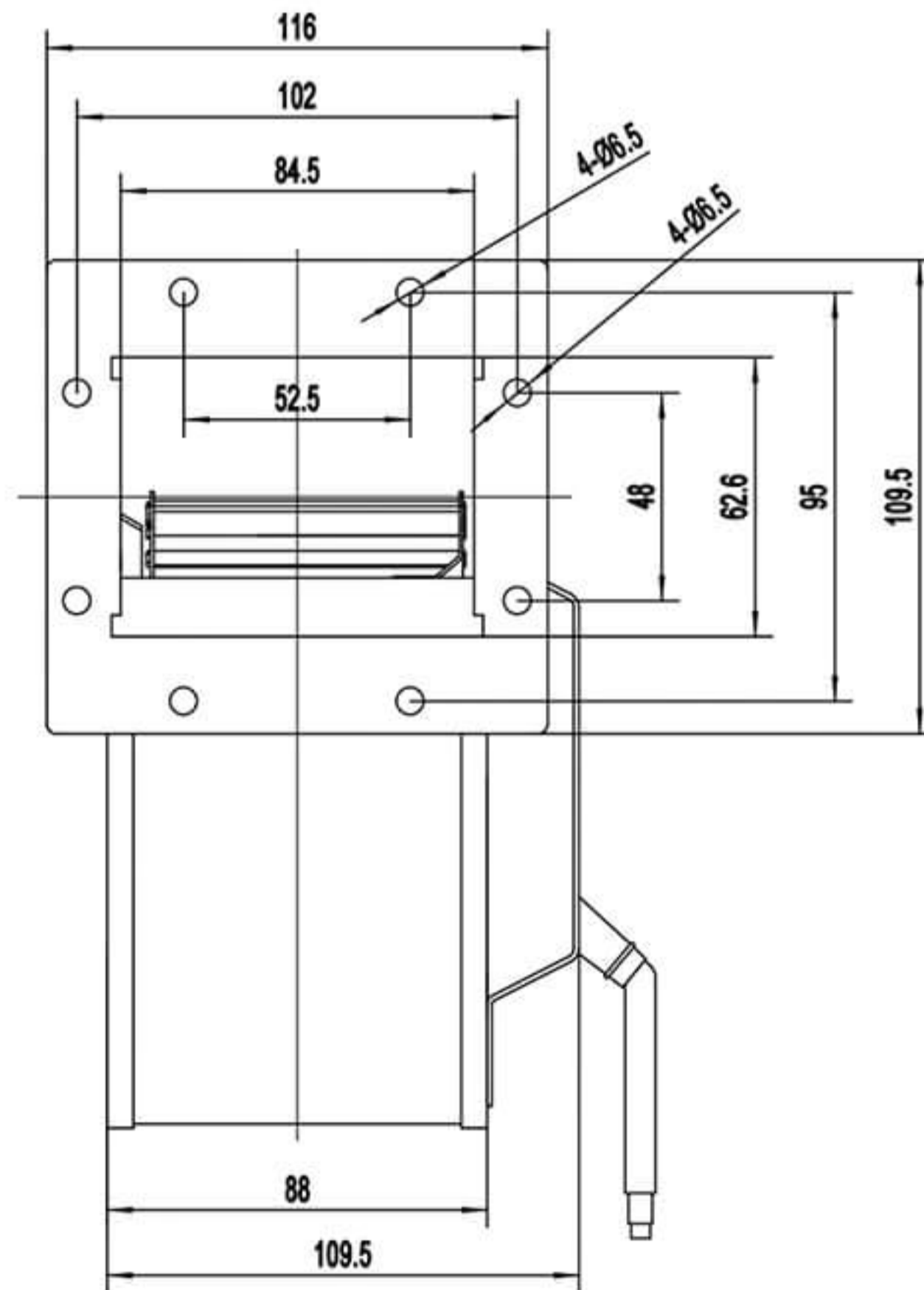


	Voltage V	Frequency Hz	Current A	Input Power W	Speed rpm	Capacitor µF	Air Flow m³/h / CFM	Noise dB(A)	Temperature Min / Max(°C)	Curve No. #	Approvals
BMF133-073W-AA00	220/230	50	0.37	83	1850	2	290 / 170	61	-30 / +60	①	CCC,CE,RoHS
	220/230	60	0.43	95	1750	2	270 / 160	63	-30 / +60	②	CCC,CE,RoHS

133-73W Forward Centrifugal Fan

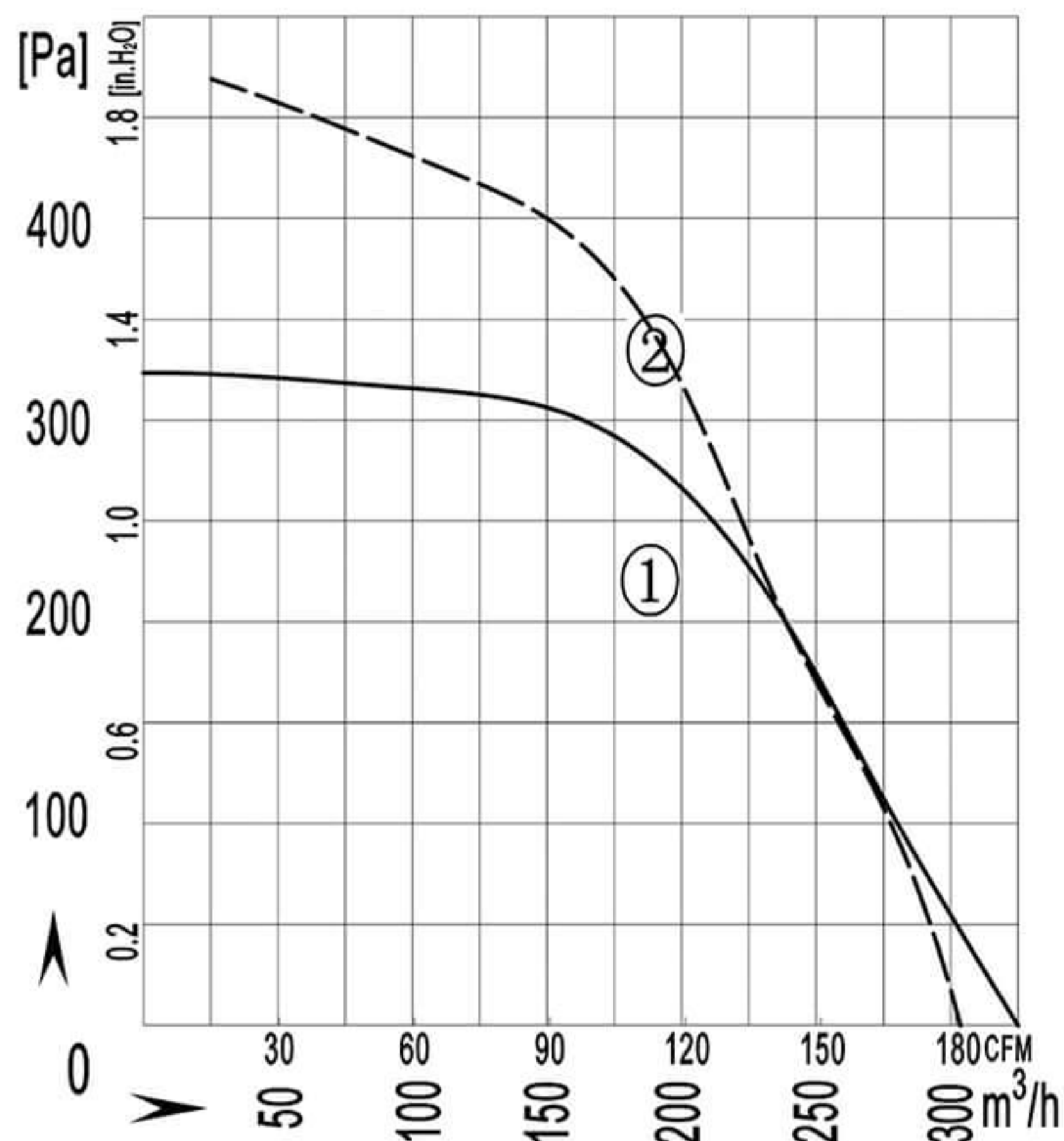


material: Galvanised sheet steel
 Protection Class: IP44
 Approvals: CCC CE
 Insulation class: F



	Voltage	Frequency	Current	Input Power	Speed	Capacitor	Air Flow	Noise	Temperature	Curve No.	Approvals
	V	Hz	A	W	rpm	µF	m³/h / CFM	dB(A)	Min / Max(°C)	#	
BMF133-073W-AA00	220/230	50	0.37	83	1850	2	290 / 170	61	-30 / +60	①	CCC,CE,RoHS
	220/230	60	0.43	95	1750	2	270 / 160	63	-30 / +60	②	CCC,CE,RoHS

140-60-AS Forward Centrifugal Fan

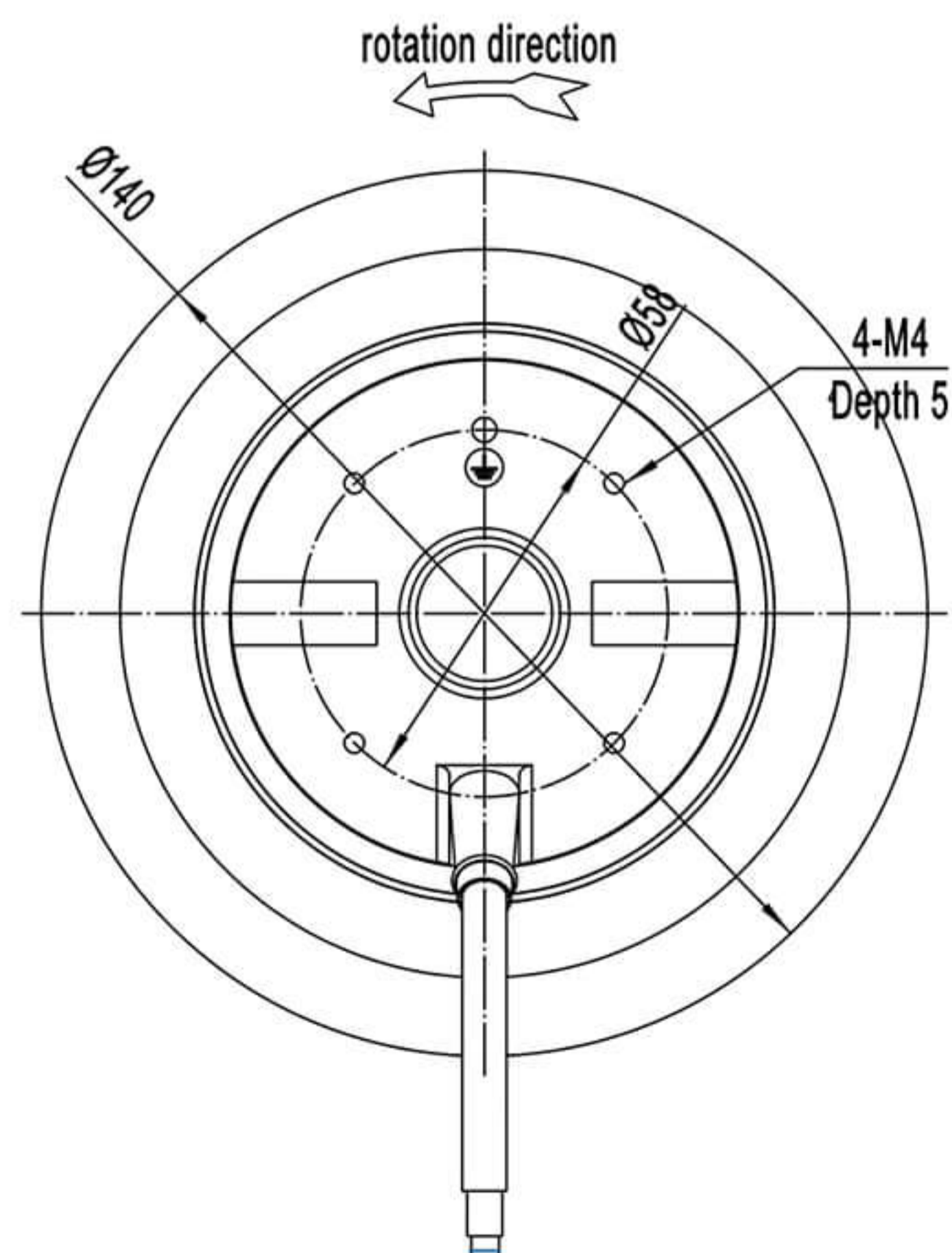
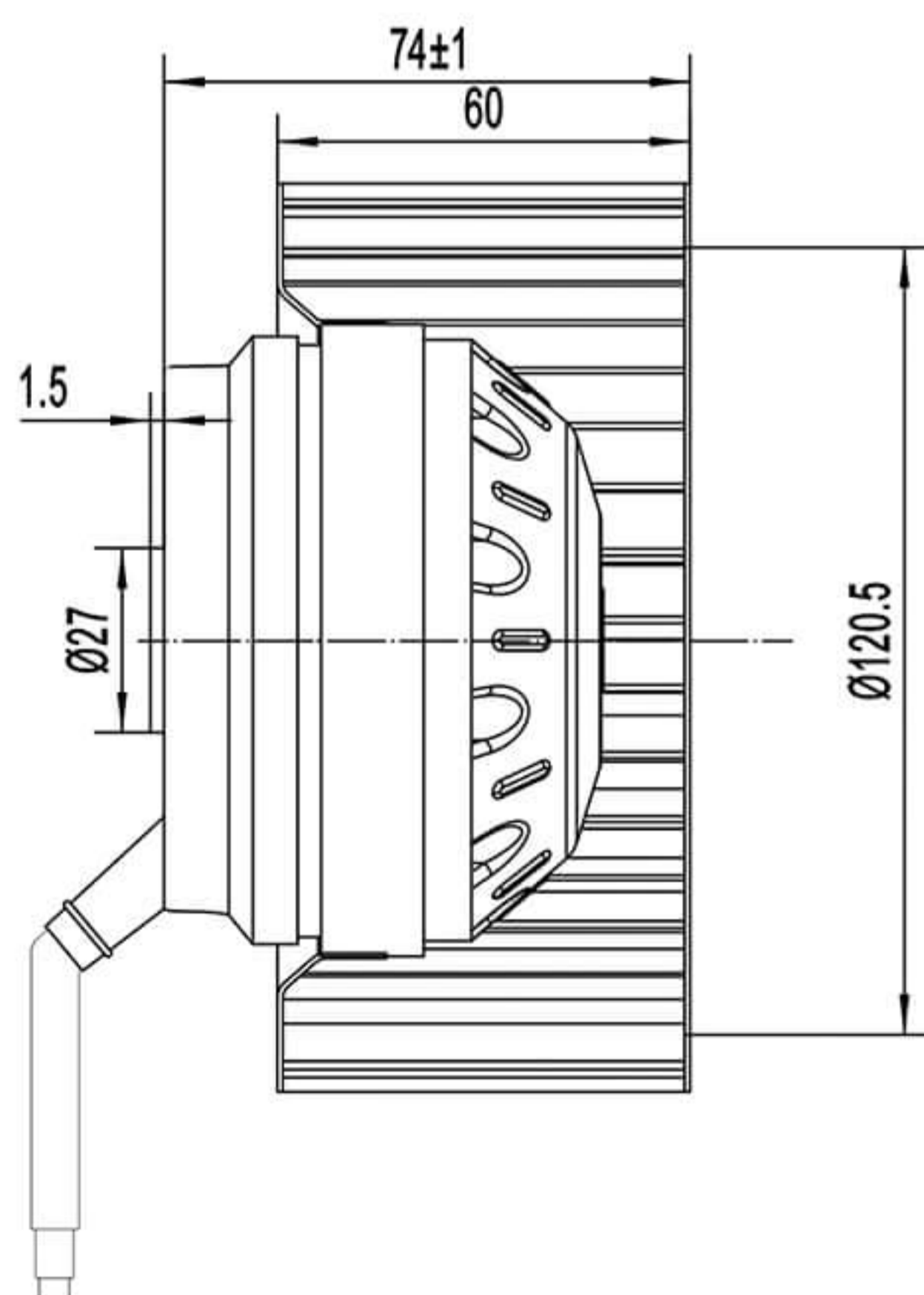


material: Plastic PA66

Protection Class: IP44

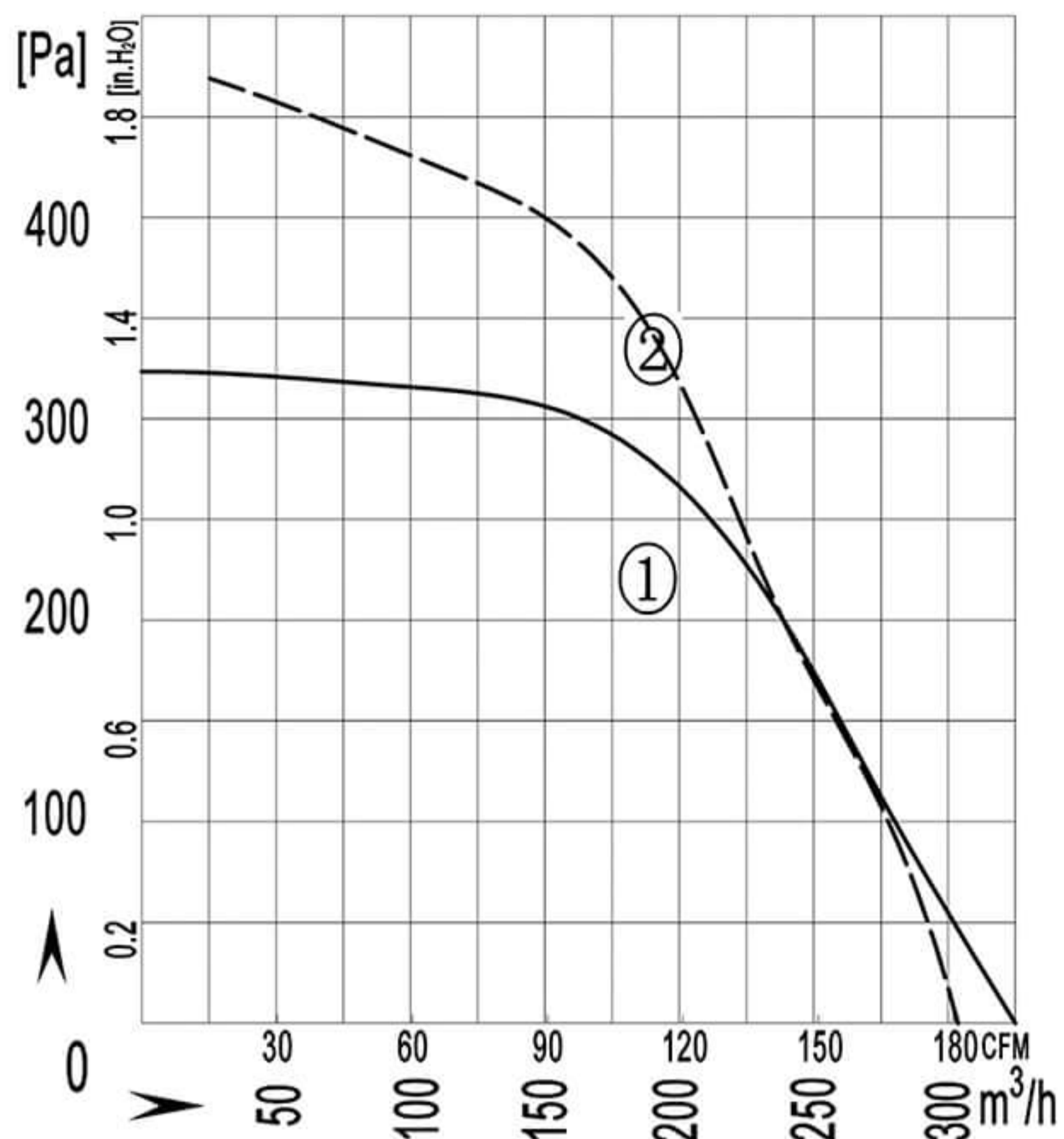
Approvals: CCC CE

Insulation class: F



	Voltage	Frequency	Current	Input Power	Speed	Capacitor	Air Flow	Noise	Temperature	Curve No.	Approvals
	V	Hz	A	W	rpm	µF	m³/h / CFM	dB(A)	Min / Max(°C)	#	
BMF 140-060A-AAS0	220/230	50	0.42	100	1600	2	330 / 200	52	-30 / +60	①	CCC,CE,RoHS
	220/230	60	0.47	110	1500	2	305 / 180	58	-30 / +60	②	CCC,CE,RoHS

140-60-AS Forward Centrifugal Fan

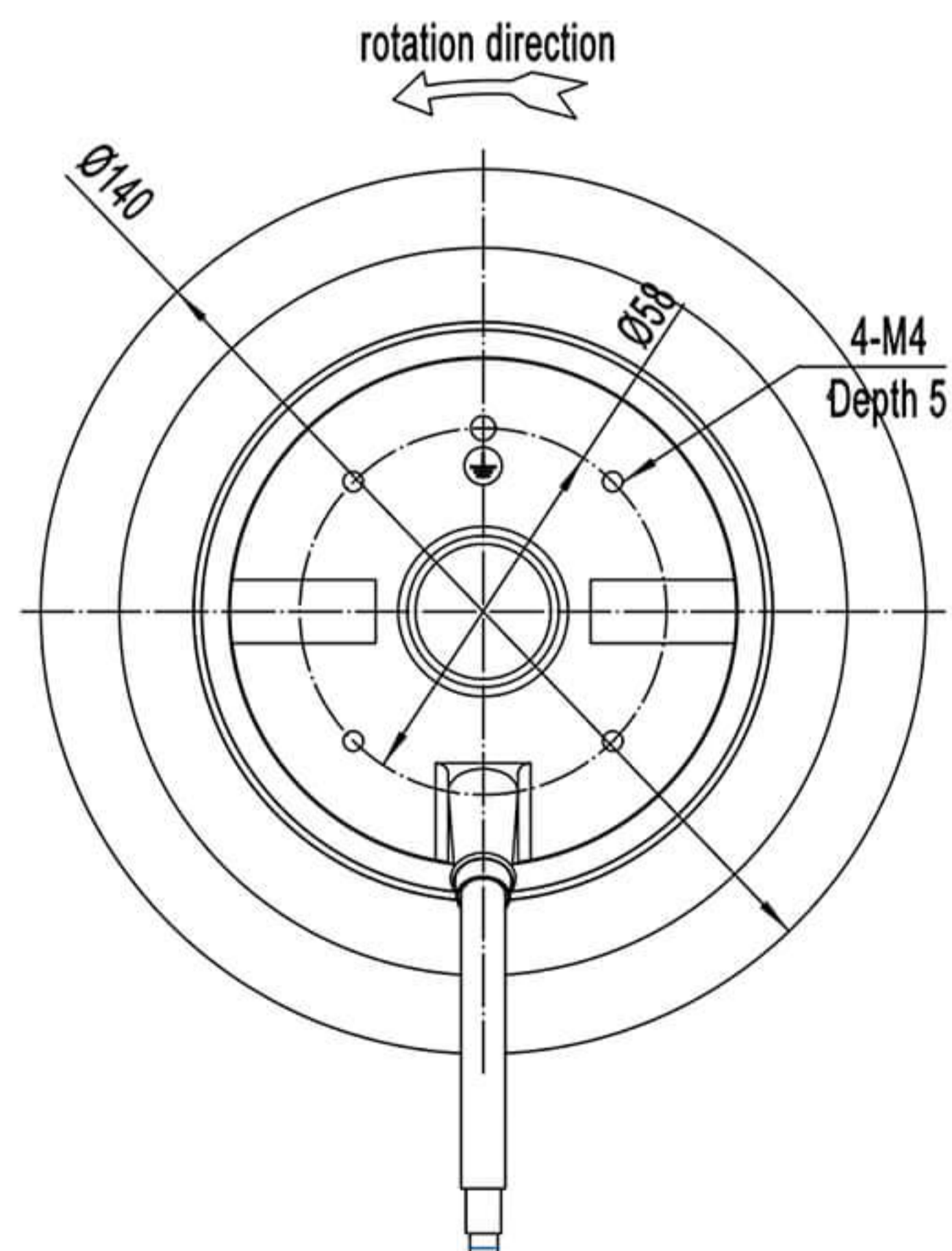
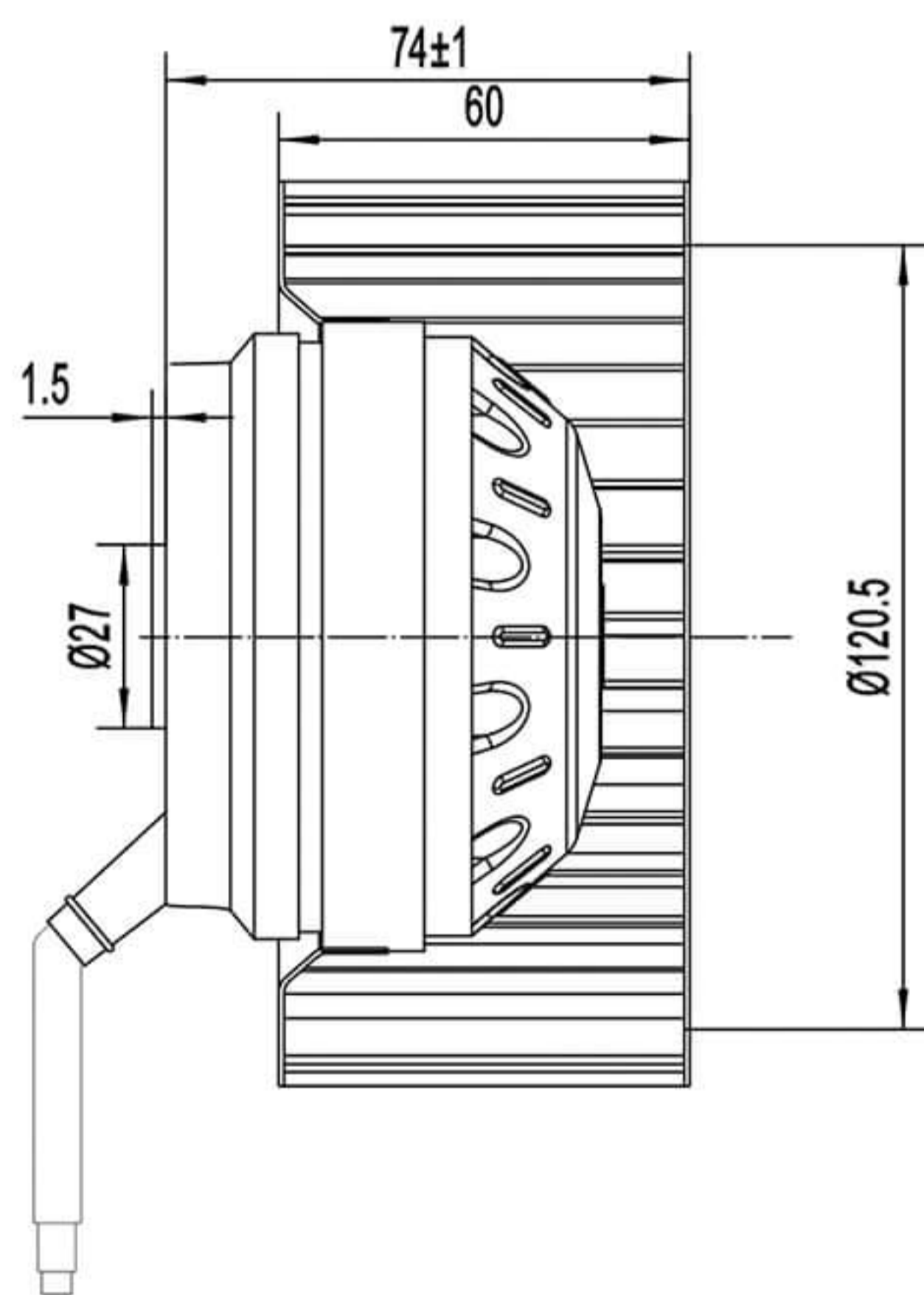


material: Plastic PA66

Protection Class: IP44

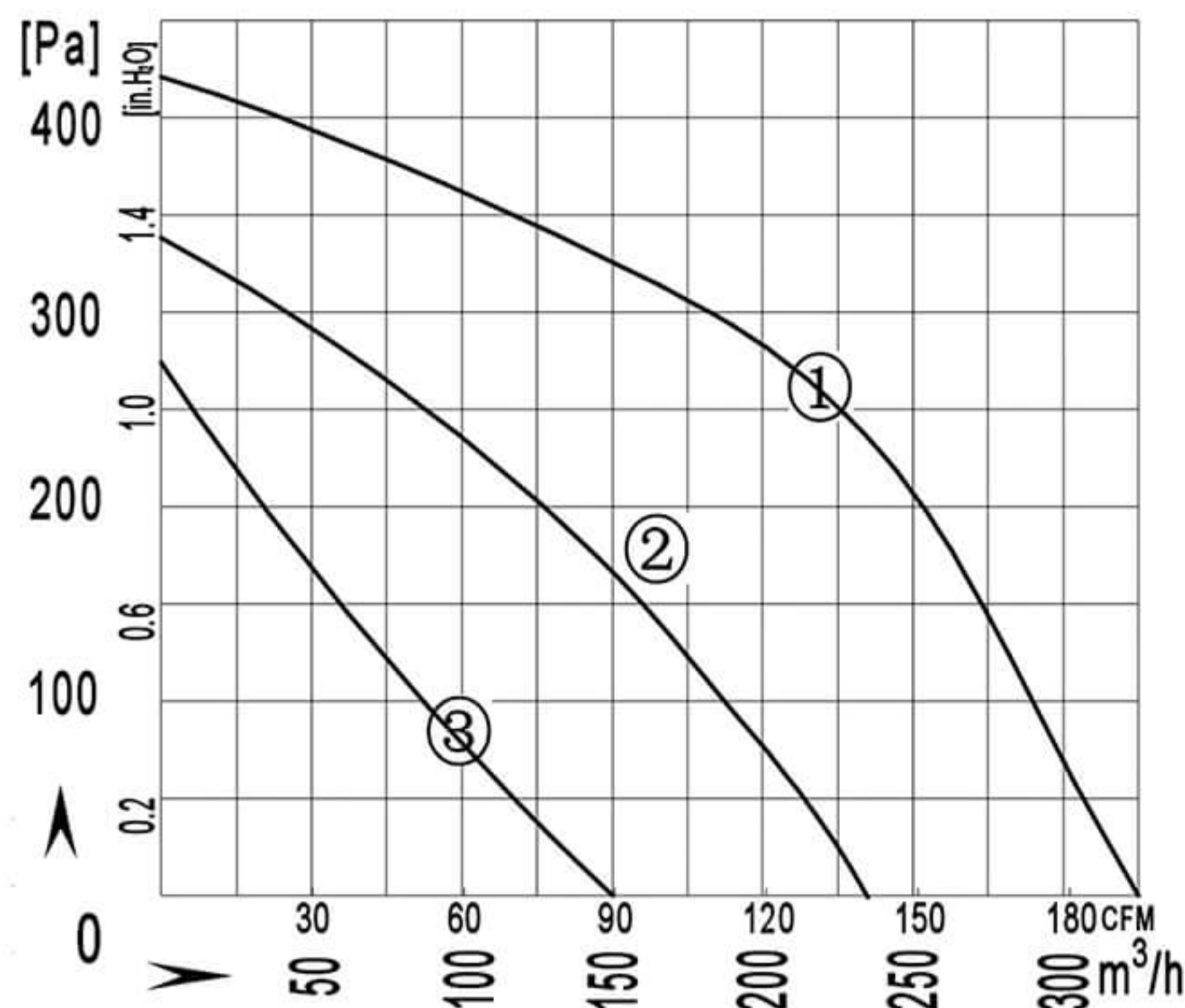
Approvals: CCC CE

Insulation class: F



	Voltage V	Frequency Hz	Current A	Input Power W	Speed rpm	Capacitor µF	Air Flow m³/h / CFM	Noise dB(A)	Temperature Min / Max(°C)	Curve No. #	Approvals
BMF 140-060A-AAS0	220/230	50	0.42	100	1600	2	330 / 200	52	-30 / +60	①	CCC,CE,RoHS
	220/230	60	0.47	110	1500	2	305 / 180	58	-30 / +60	②	CCC,CE,RoHS

140-60W-T Forward Centrifugal Fan

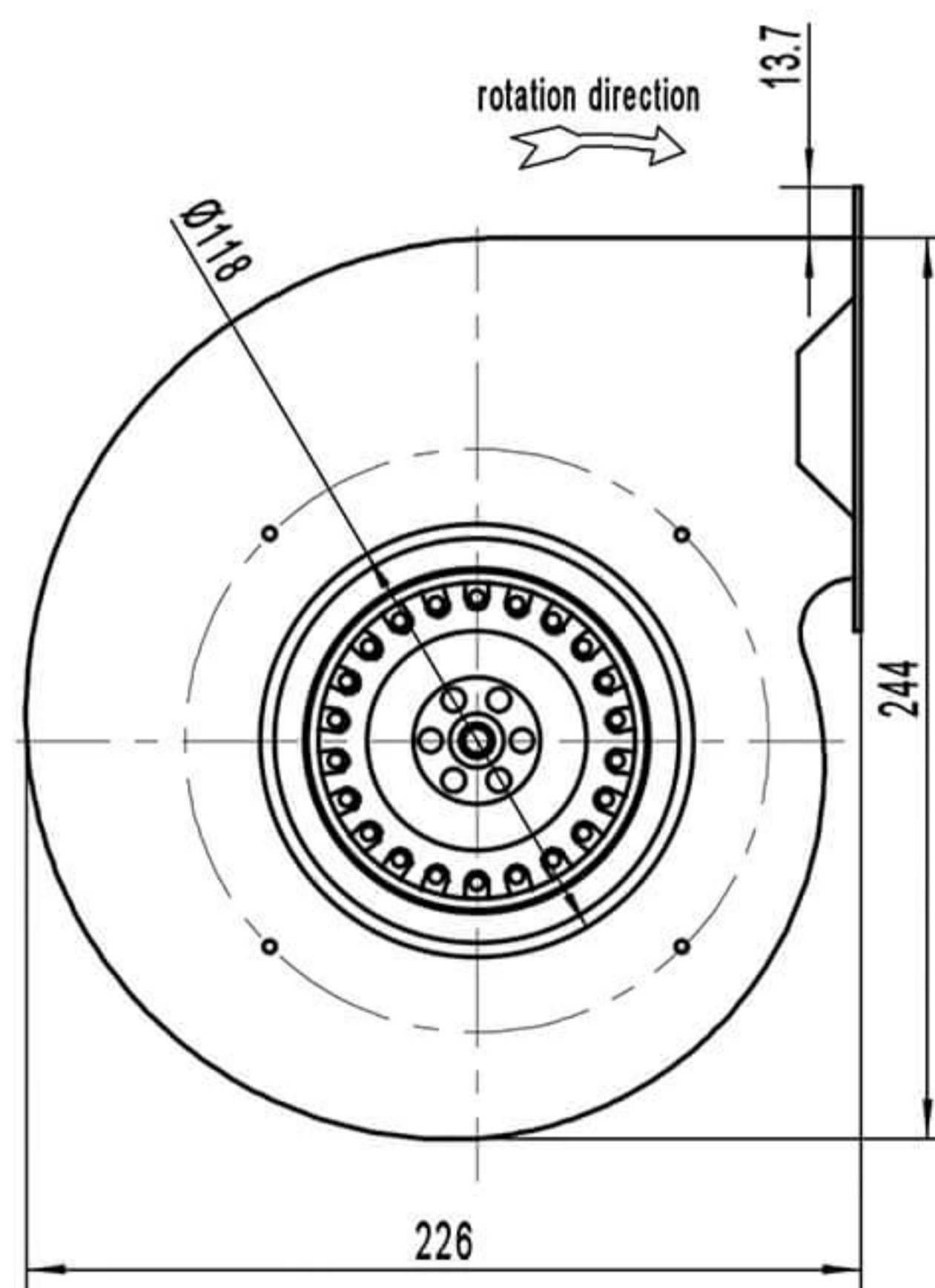
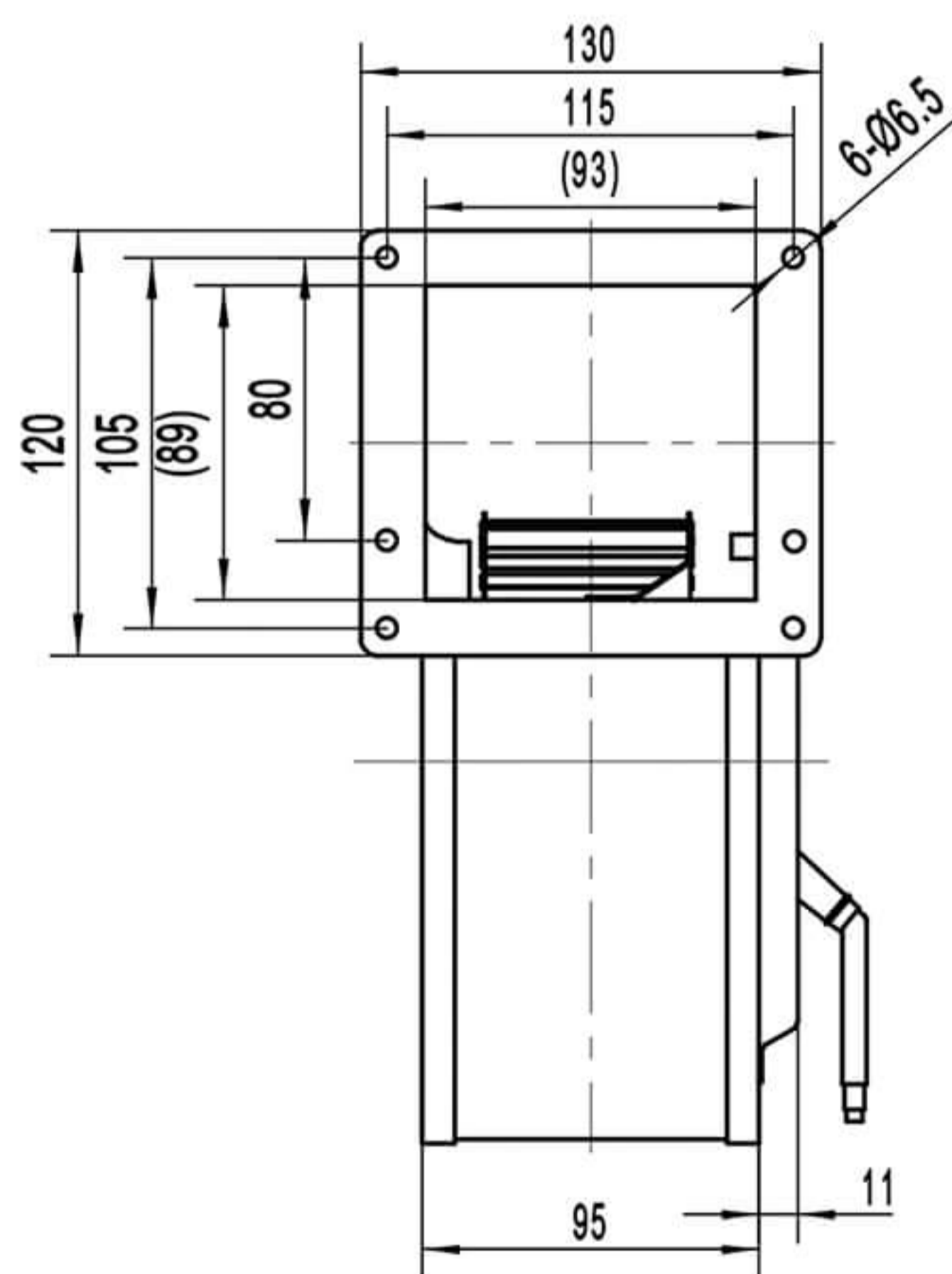


Impeller material: Plastic PA66

Protection Class: IP44

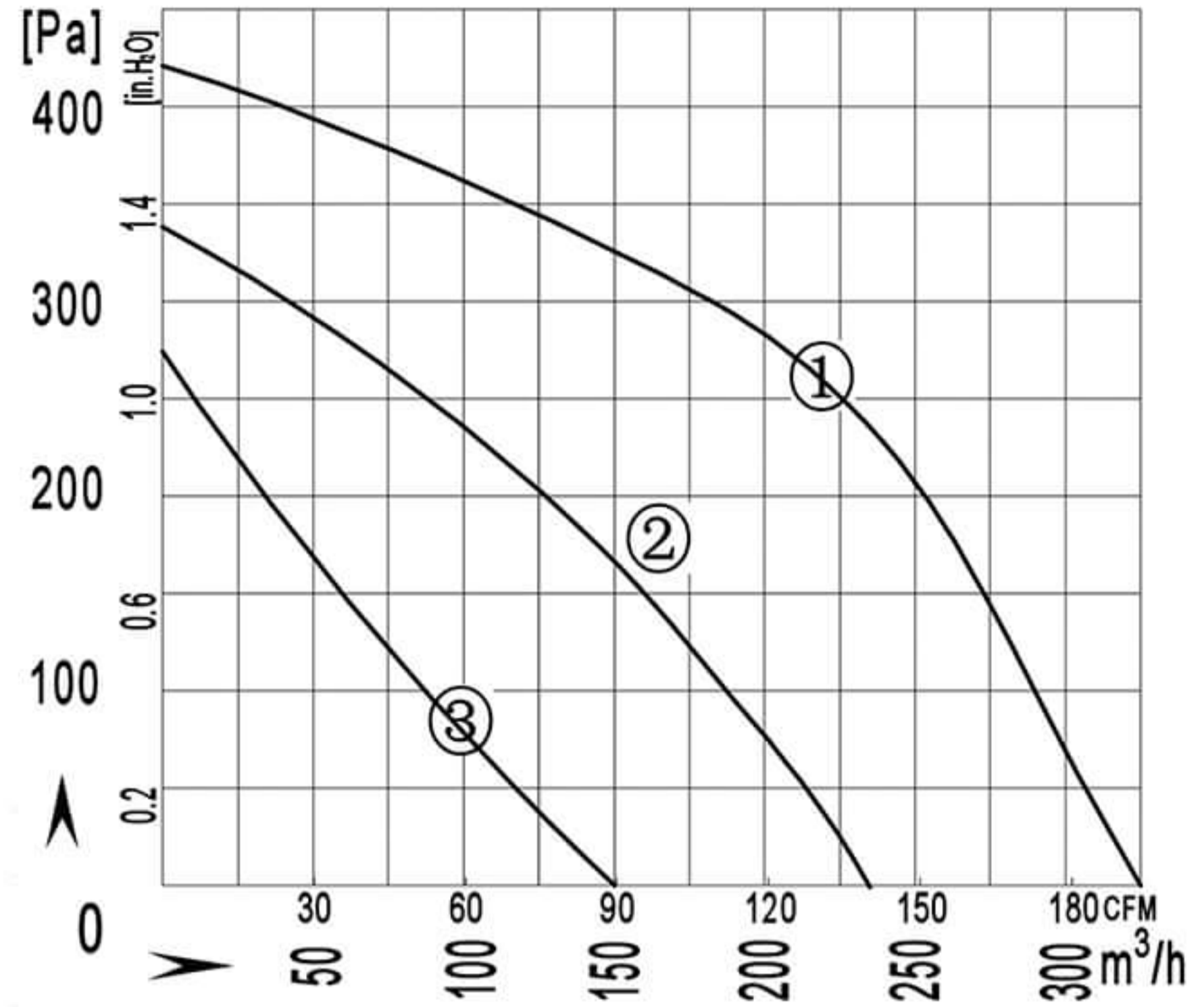
Approvals: CCC CE

Insulation class: F



	Voltage	Frequency	Current	Input Power	Speed	Capacitor	Air Flow	Noise	Temperature	Curve No.	Approvals
	V	Hz	A	W	rpm	µF	m3/h / CFM	dB(A)	Min / Max(°C)	#	
BMF 140-060W-TAS0	220/230	50	0.40	90	1400	2	360 / 211	52	-30 / +60	①	CCC,CE,RoHS
	220/230	50	0.30	60	850	2	200 / 117	40	-30 / +60	②	CCC,CE,RoHS
	220/230	50	0.25	50	600	2	150 / 88	32	-30 / +60	③	CCC,CE,RoHS

140-60W-T Forward Centrifugal Fan

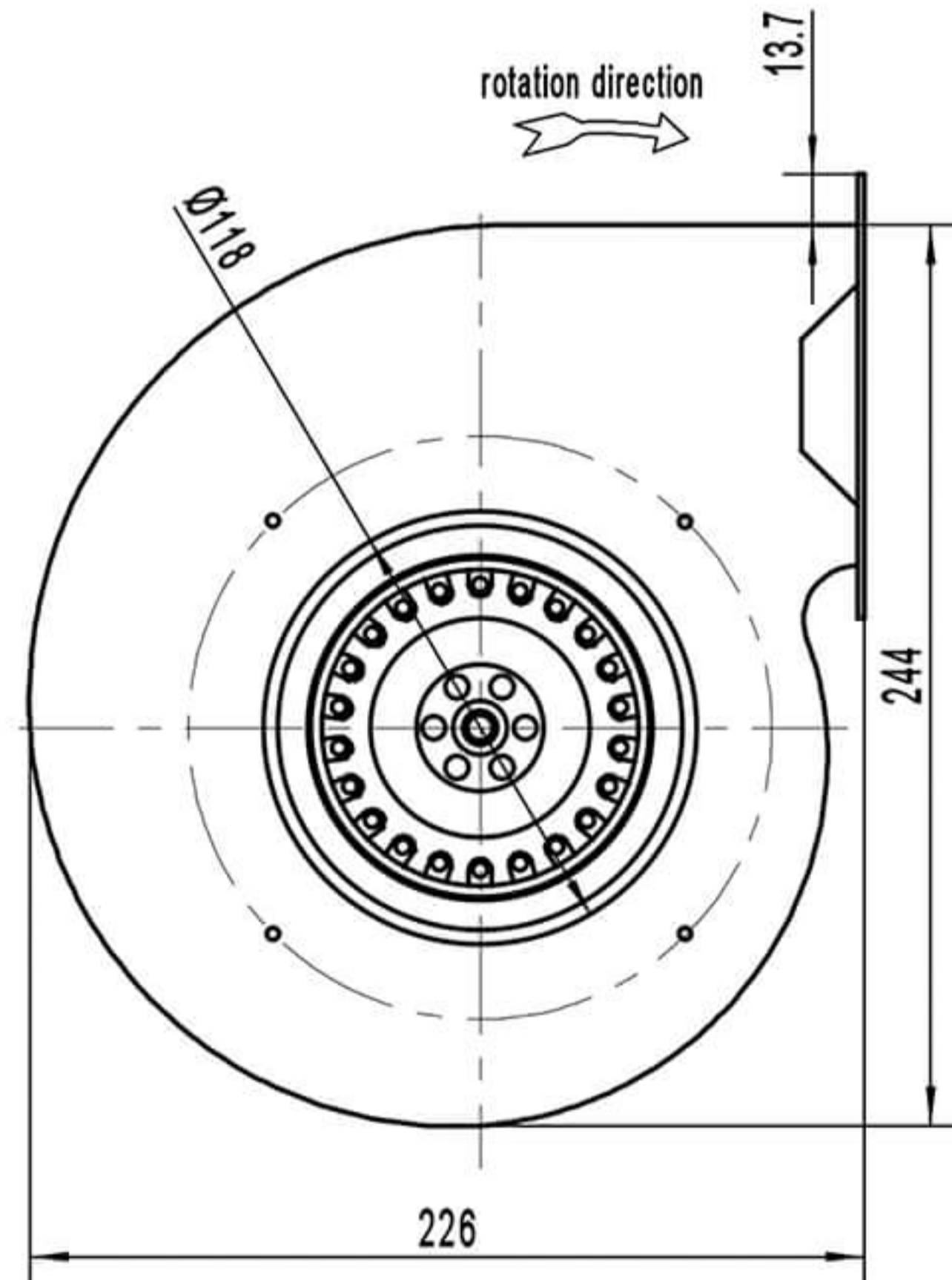
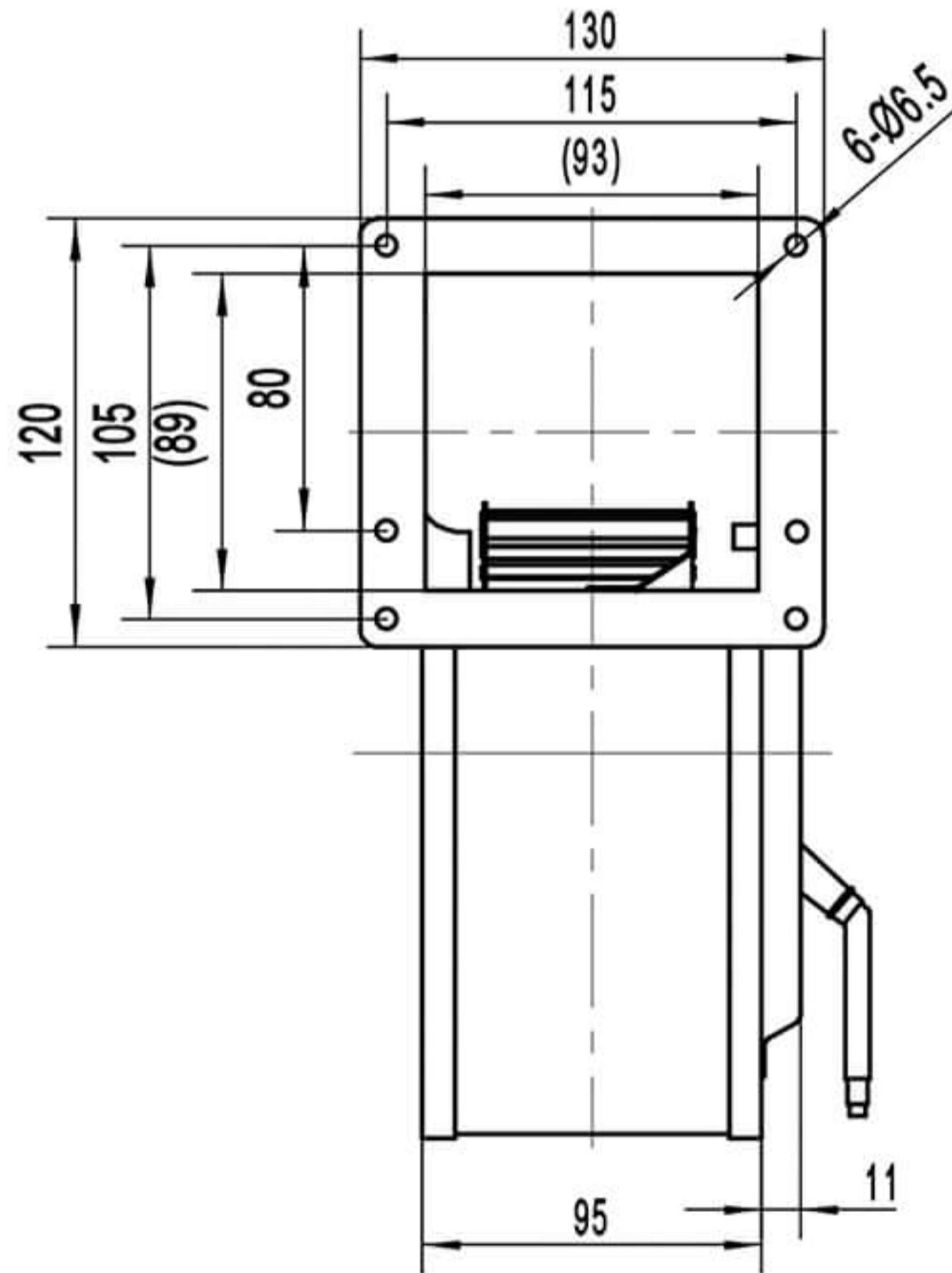


Impeller material: Plastic PA66

Protection Class: IP44

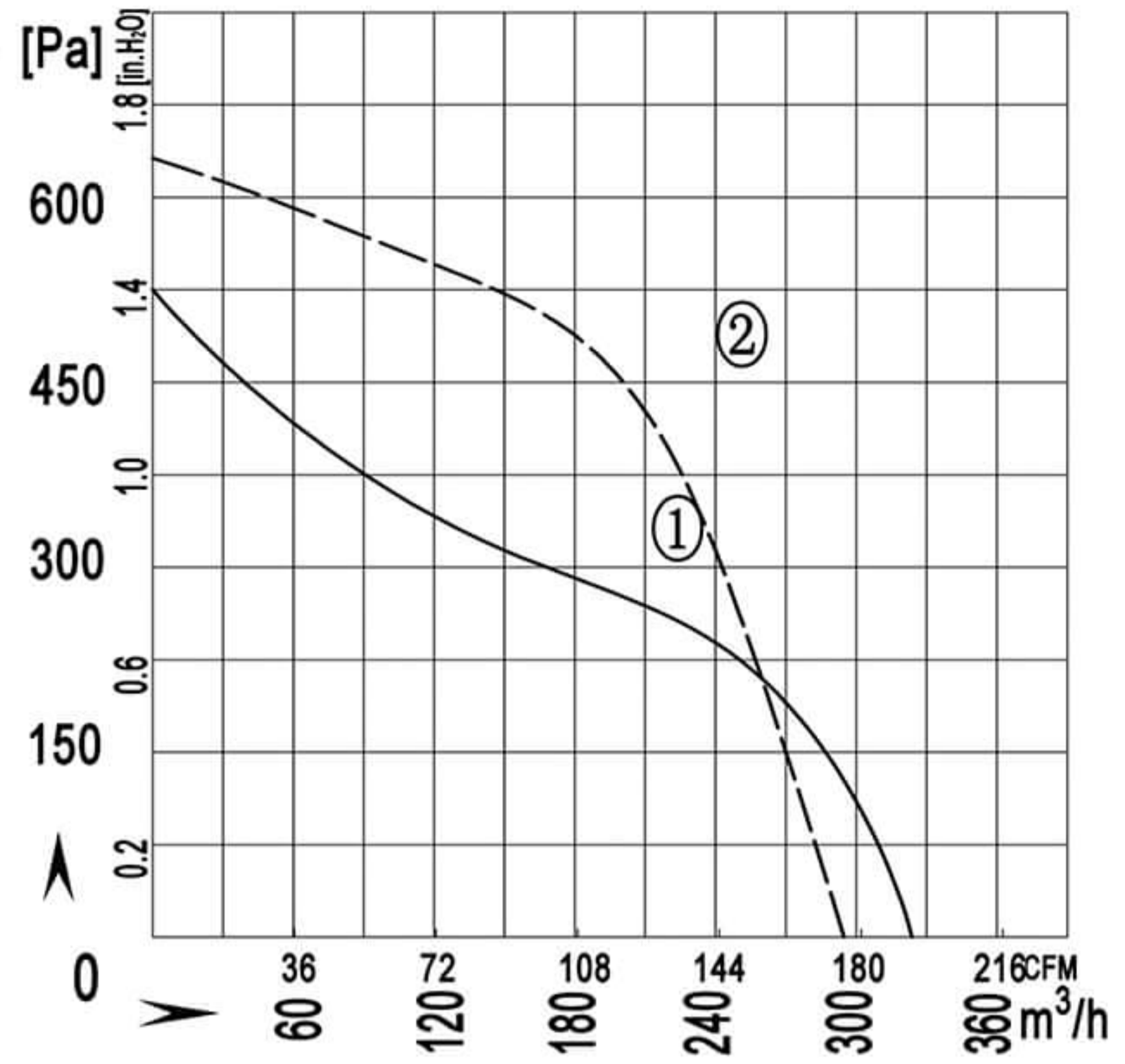
Approvals: CCC CE

Insulation class: F

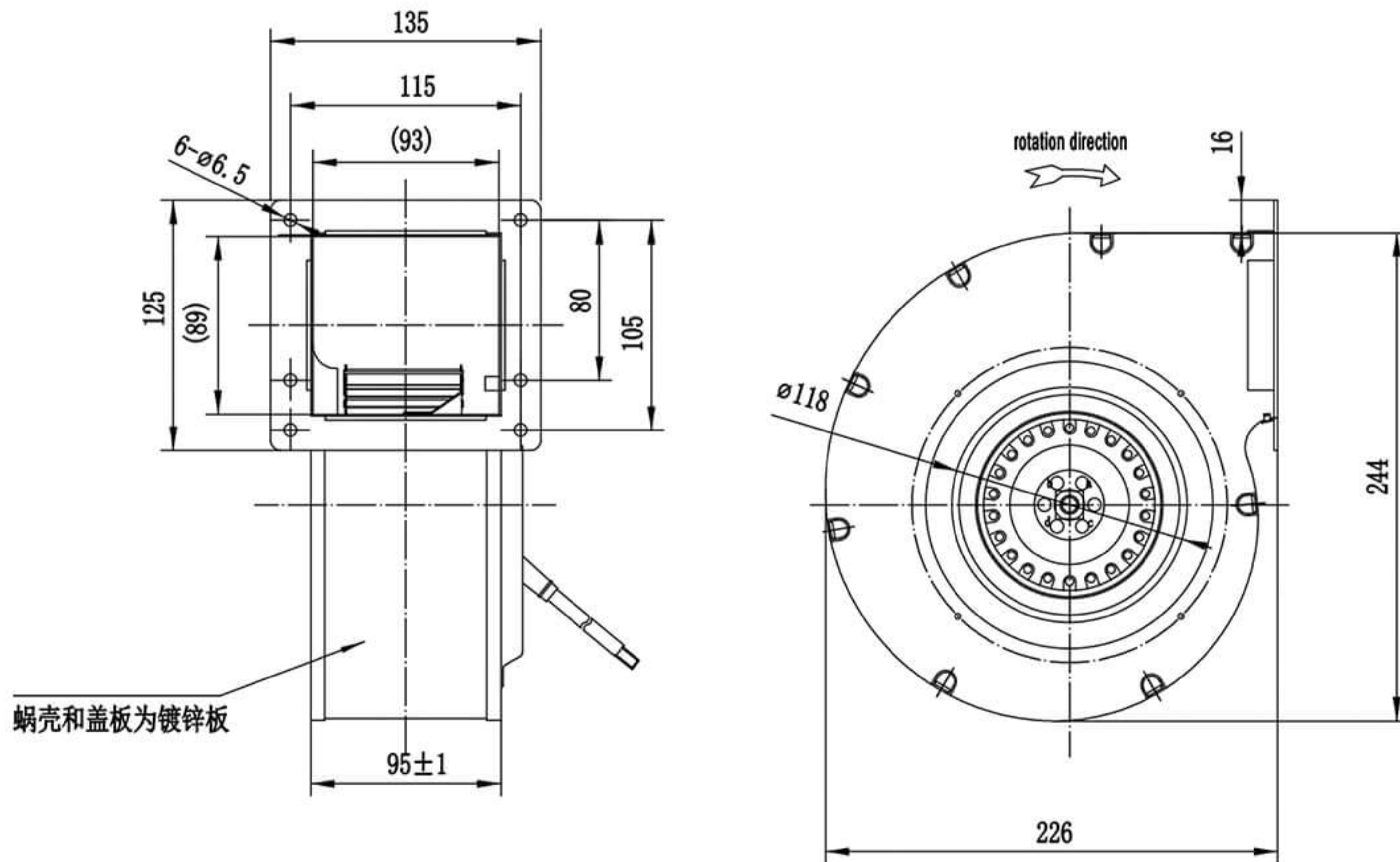


	Voltage	Frequency	Current	Input Power	Speed	Capacitor	Air Flow	Noise	Temperature	Curve No.	Approvals
	V	Hz	A	W	rpm	µF	m³/h / CFM	dB(A)	Min / Max(°C)	#	
BMF 140-060W-TAS0	220/230	50	0.40	90	1400	2	360 / 211	52	-30 / +60	①	CCC,CE,RoHS
	220/230	50	0.30	60	850	2	200 / 117	40	-30 / +60	②	CCC,CE,RoHS
	220/230	50	0.25	50	600	2	150 / 88	32	-30 / +60	③	CCC,CE,RoHS

140-060W Forward Centrifugal Fan

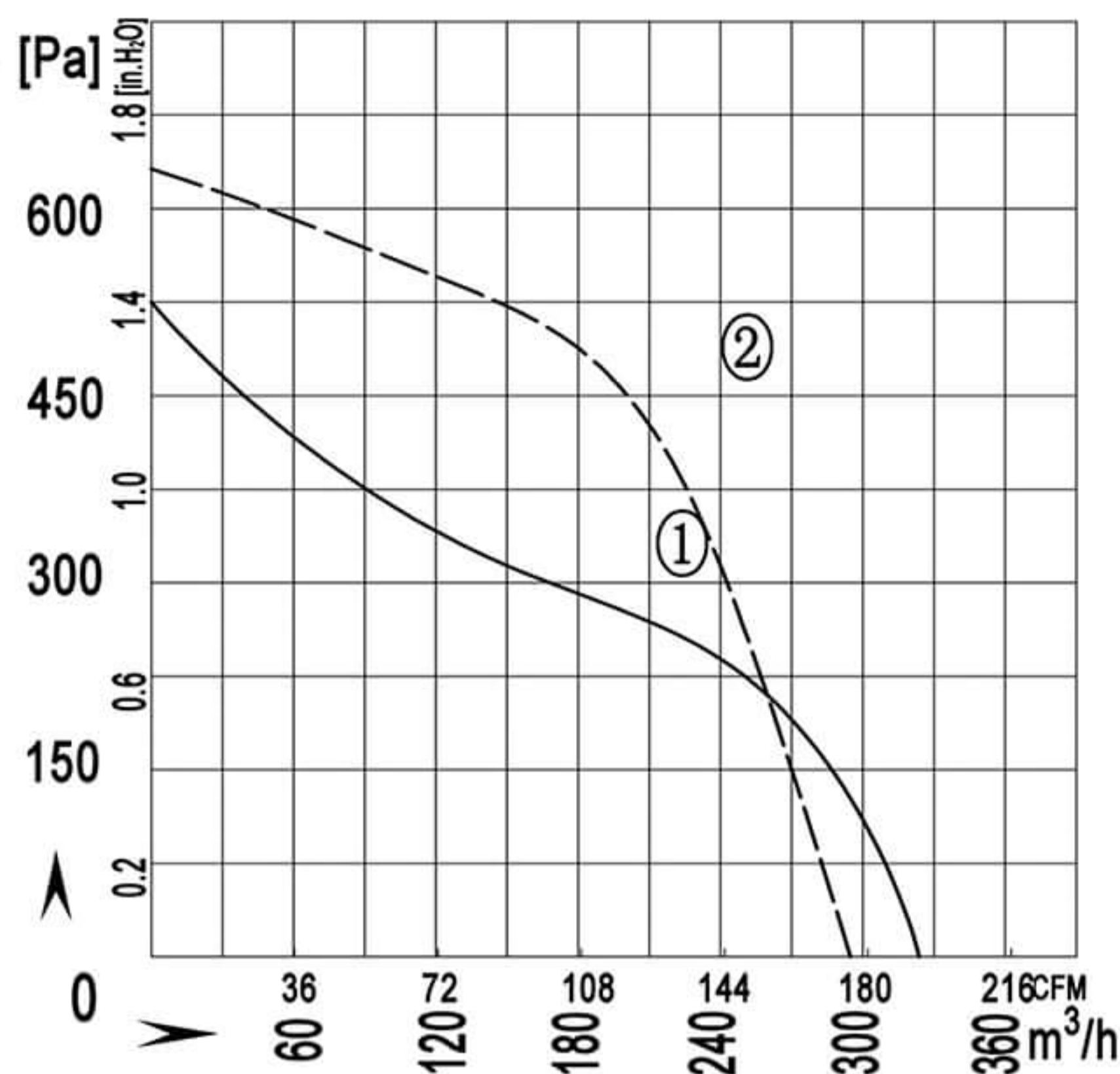


Impeller material: Plastic PA66
 Protection Class: IP44
 Approvals: UL
 Insulation class: F

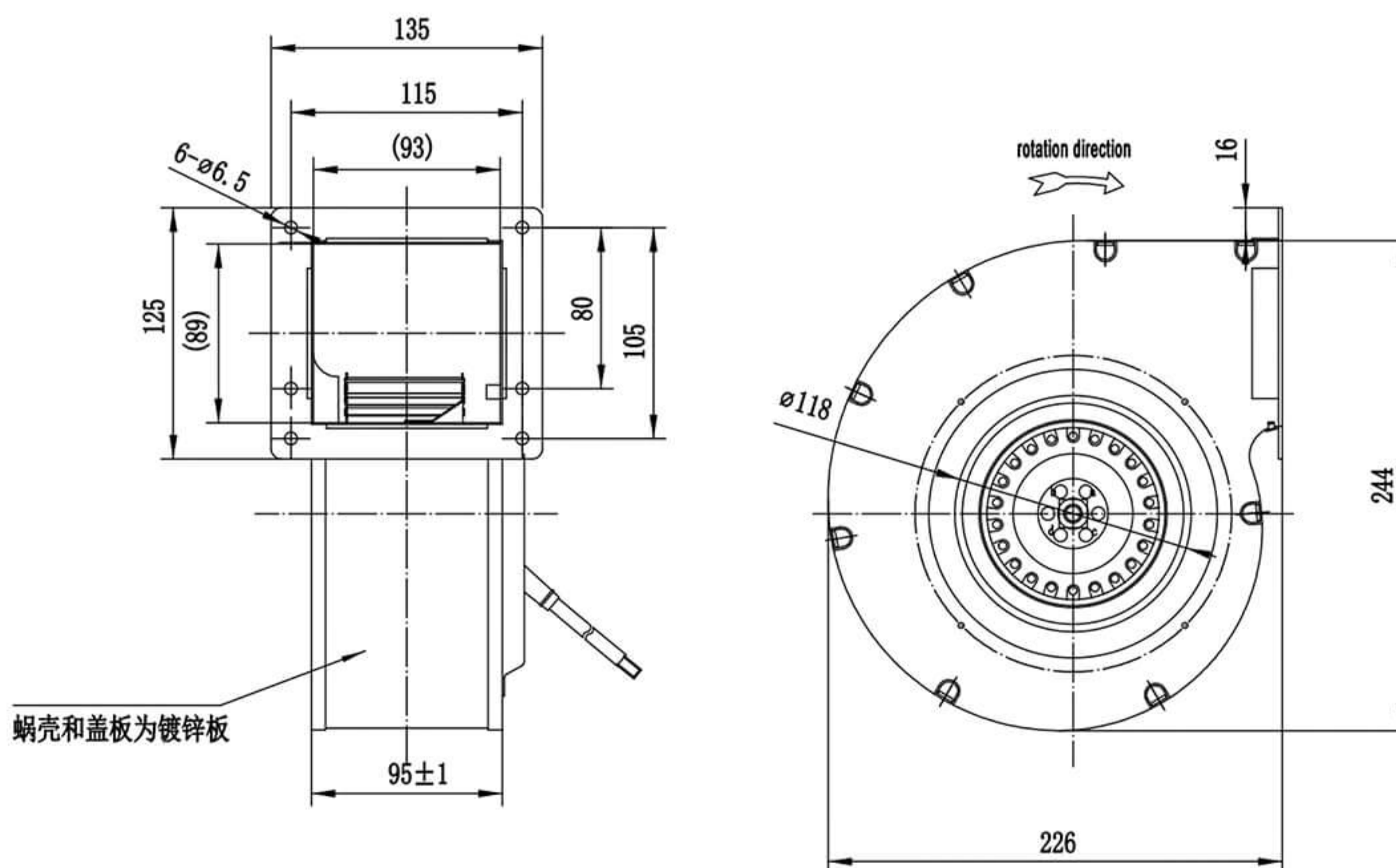


	Voltage V	Frequency Hz	Current A	Input Power W	Speed rpm	Capacitor μF	Air Flow m³/h / CFM	Noise dB(A)	Temperature Min / Max(°C)	Curve No. #	Approvals
BMF140-060W-AASA	110/120	60	0.42	92	1300	8	320 / 189	50	-30 / +60	①	UL, RoHS
BMF140-060W-ACSA	110/120	60	0.60	135	1800	12	420 / 247	58	-30 / +60	②	UL, RoHS

140-060W Forward Centrifugal Fan

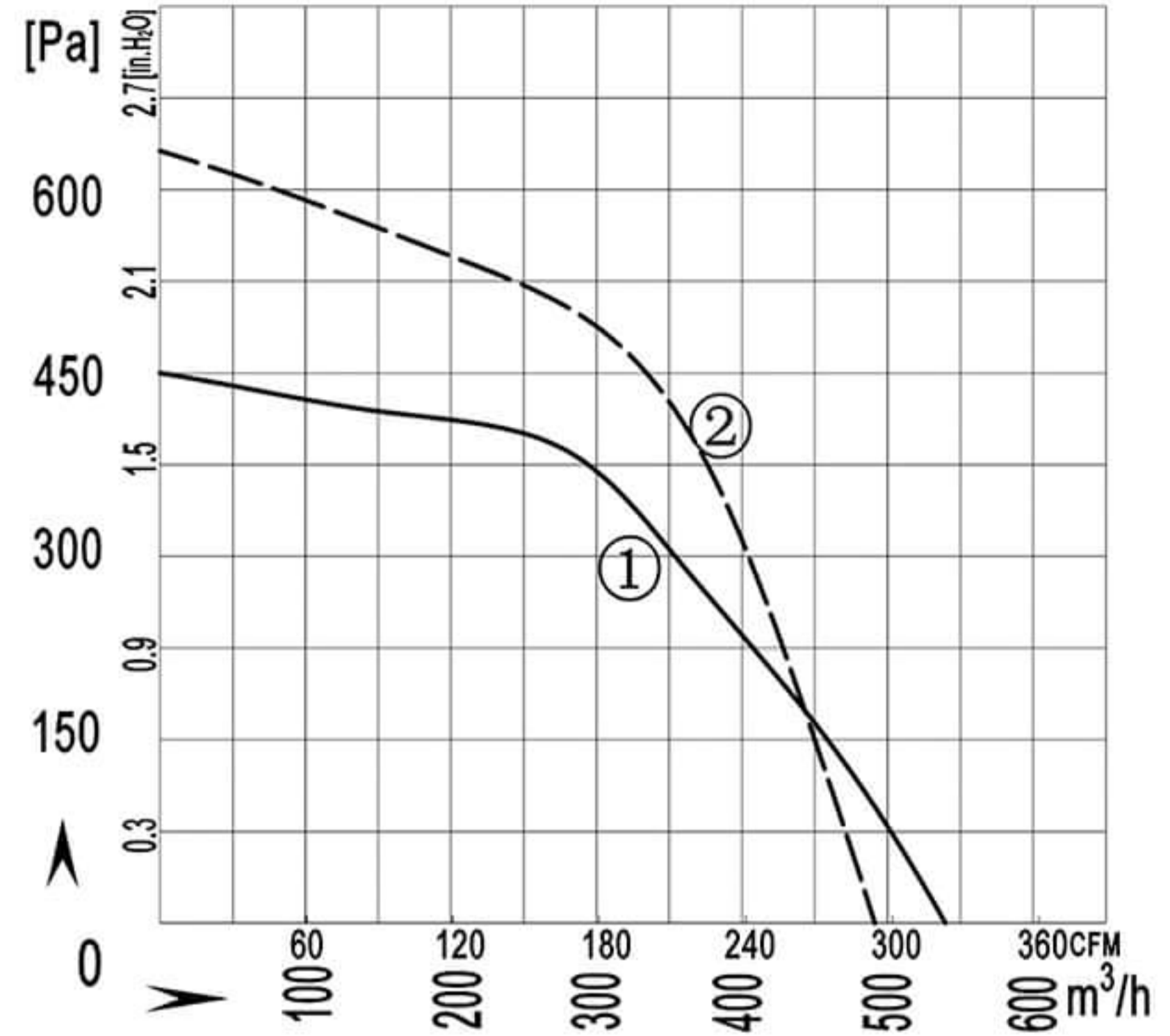


Impeller material: Plastic PA66
 Protection Class: IP44
 Approvals: UL
 Insulation class: F

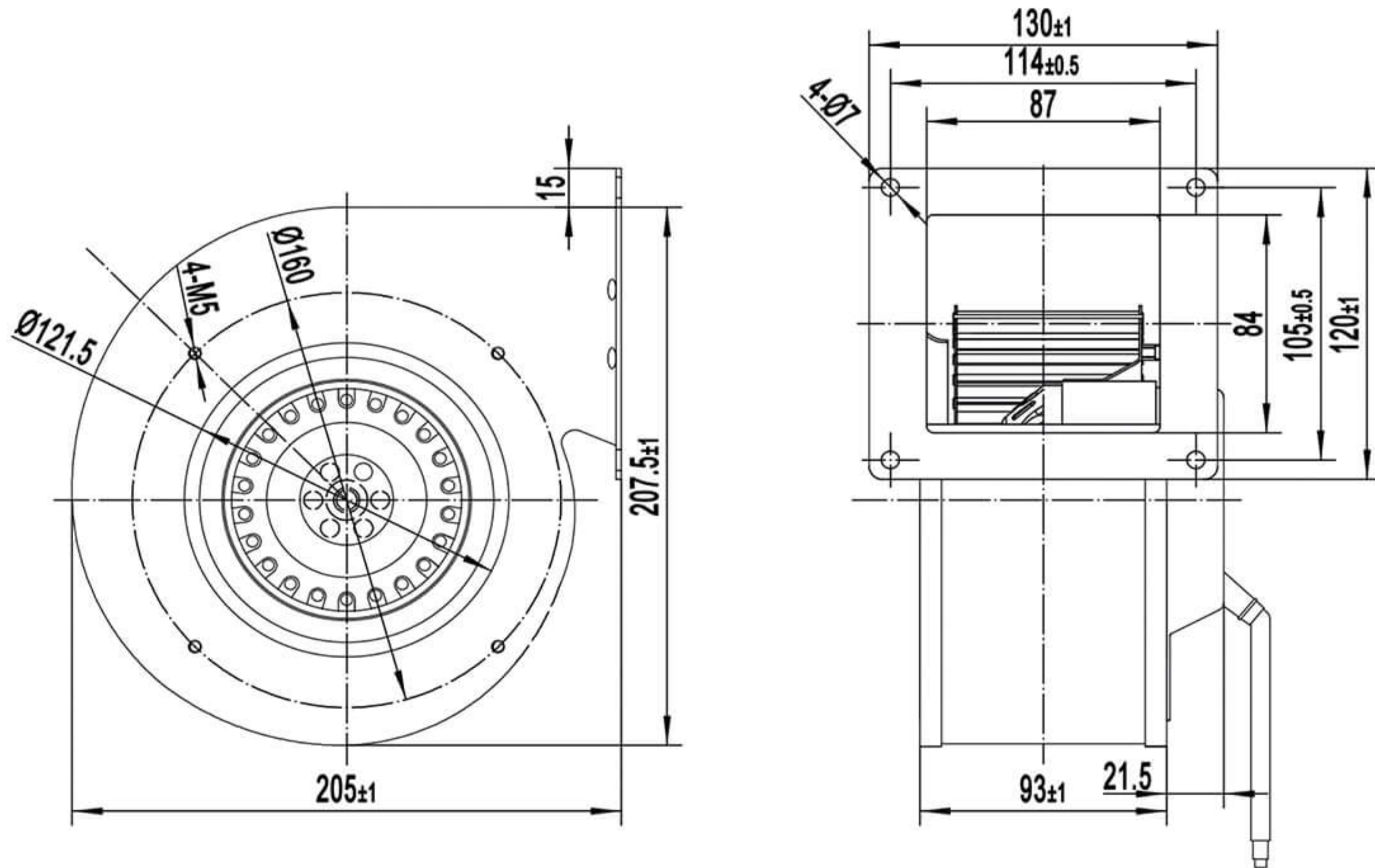


	Voltage	Frequency	Current	Input Power	Speed	Capacitor	Air Flow	Noise	Temperature	Curve No.	Approvals
	V	Hz	A	W	rpm	μF	m³/h / CFM	dB(A)	Min / Max(°C)	#	
BMF140-060W-AASA	110/120	60	0.42	92	1300	8	320 / 189	50	-30 / +60	①	UL, RoHS
BMF140-060W-ACSA	110/120	60	0.60	135	1800	12	420 / 247	58	-30 / +60	②	UL, RoHS

150-70W Forward Centrifugal Fan

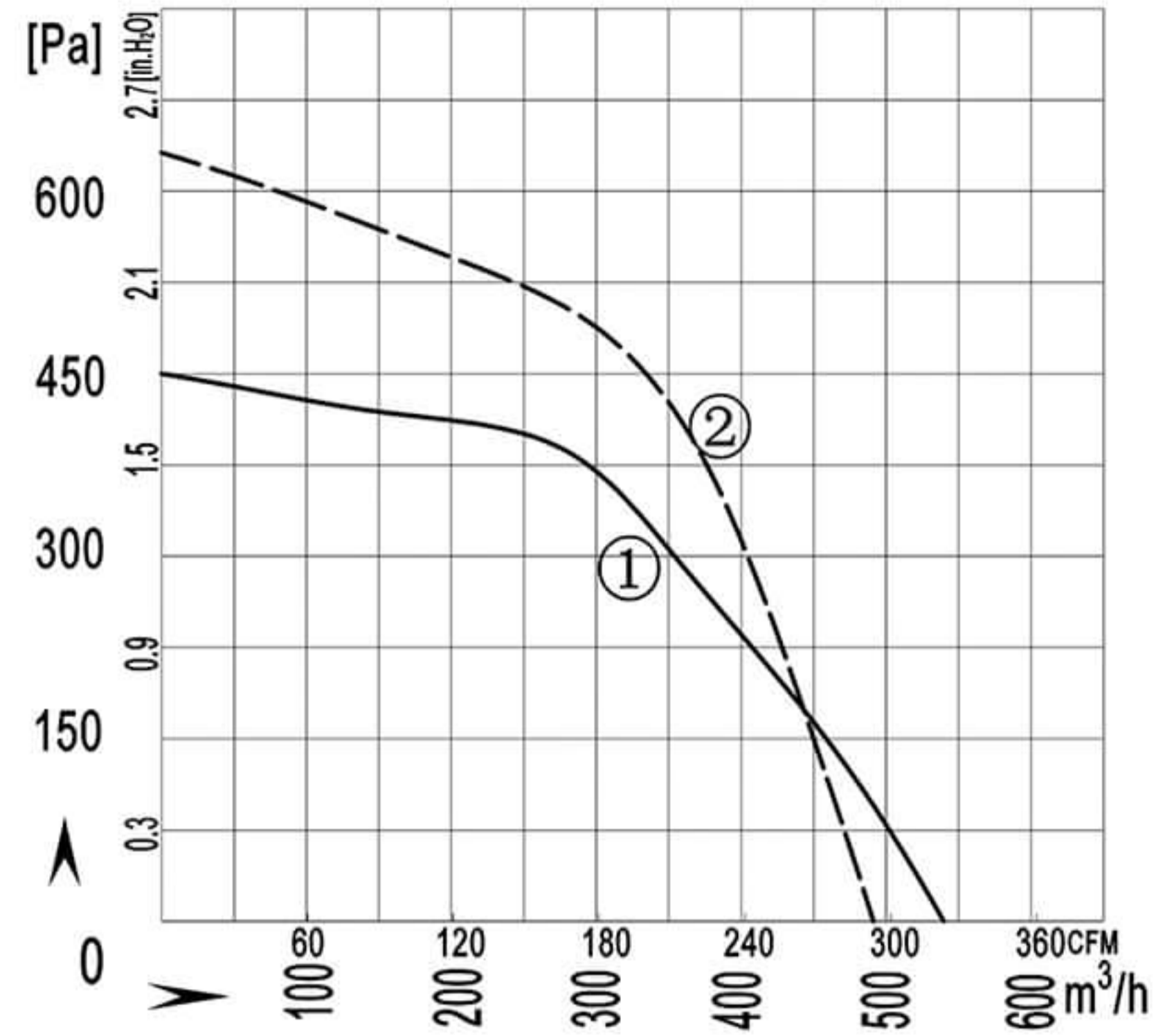


material: Galvanised sheet steel
 Protection Class: IP44
 Approvals: CCC CE
 Insulation class: F

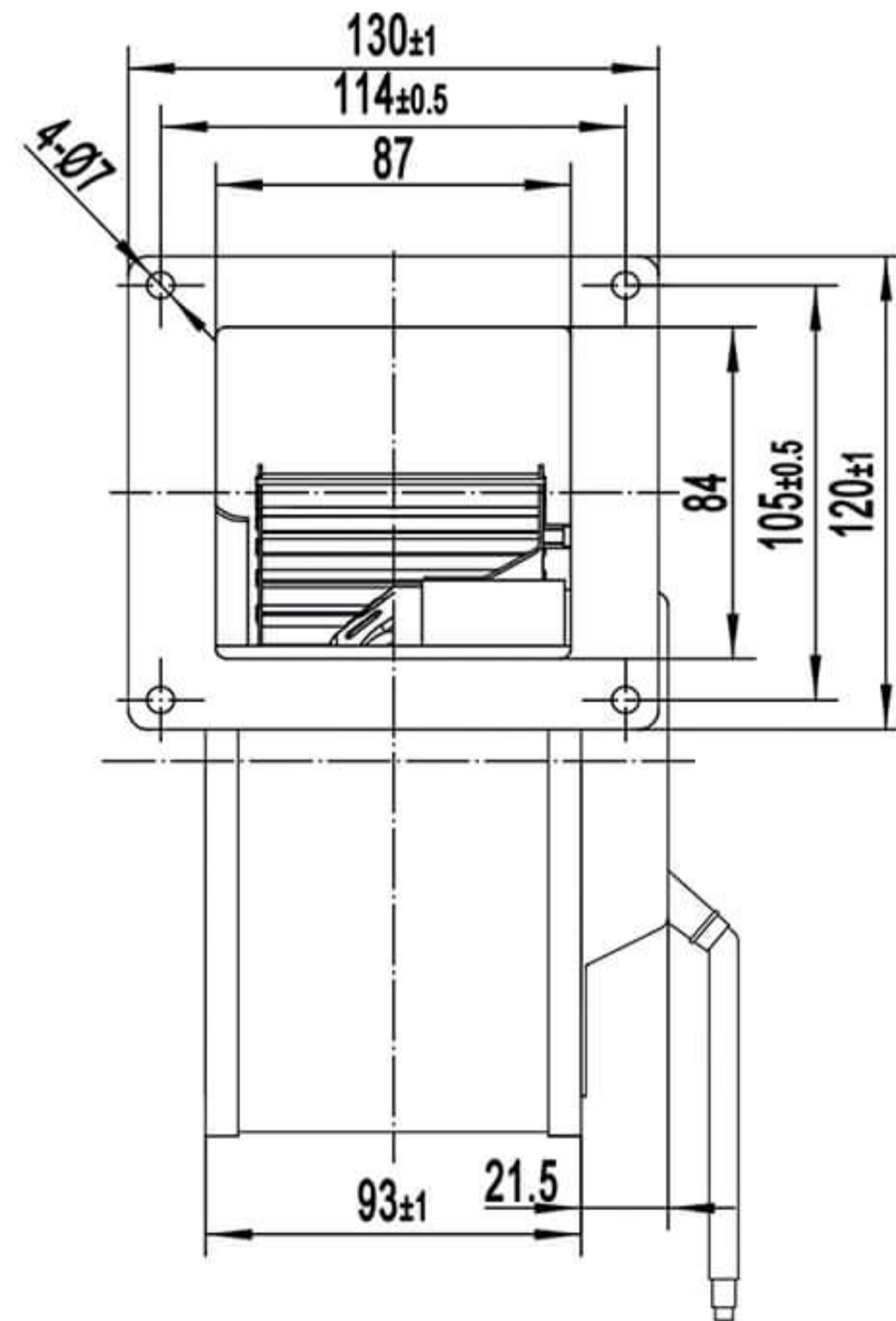
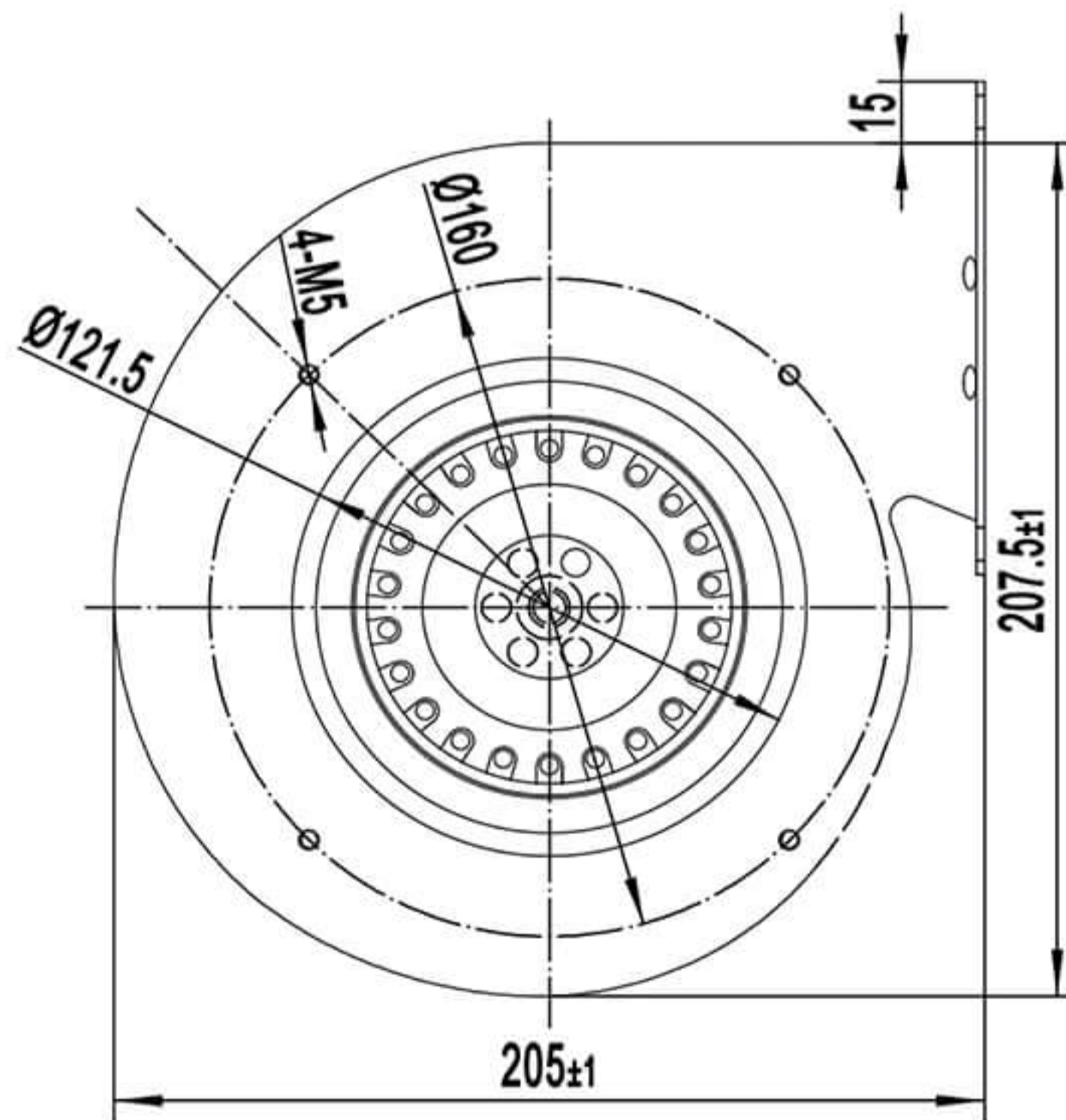


	Voltage V	Frequency Hz	Current A	Input Power W	Speed rpm	Capacitor µF	Air Flow m ³ /h / CFM	Noise dB(A)	Temperature Min / Max(°C)	Curve No. #	Approvals
BMF150-070W-AE00	220/230	50	0.83	183	2300	4	530 / 307	63	-30 / +60	①	CCC,CE,RoHS
	220/230	60	1.04	230	2200	4	480 / 278	68	-30 / +60	②	CCC,CE,RoHS

150-70W Forward Centrifugal Fan

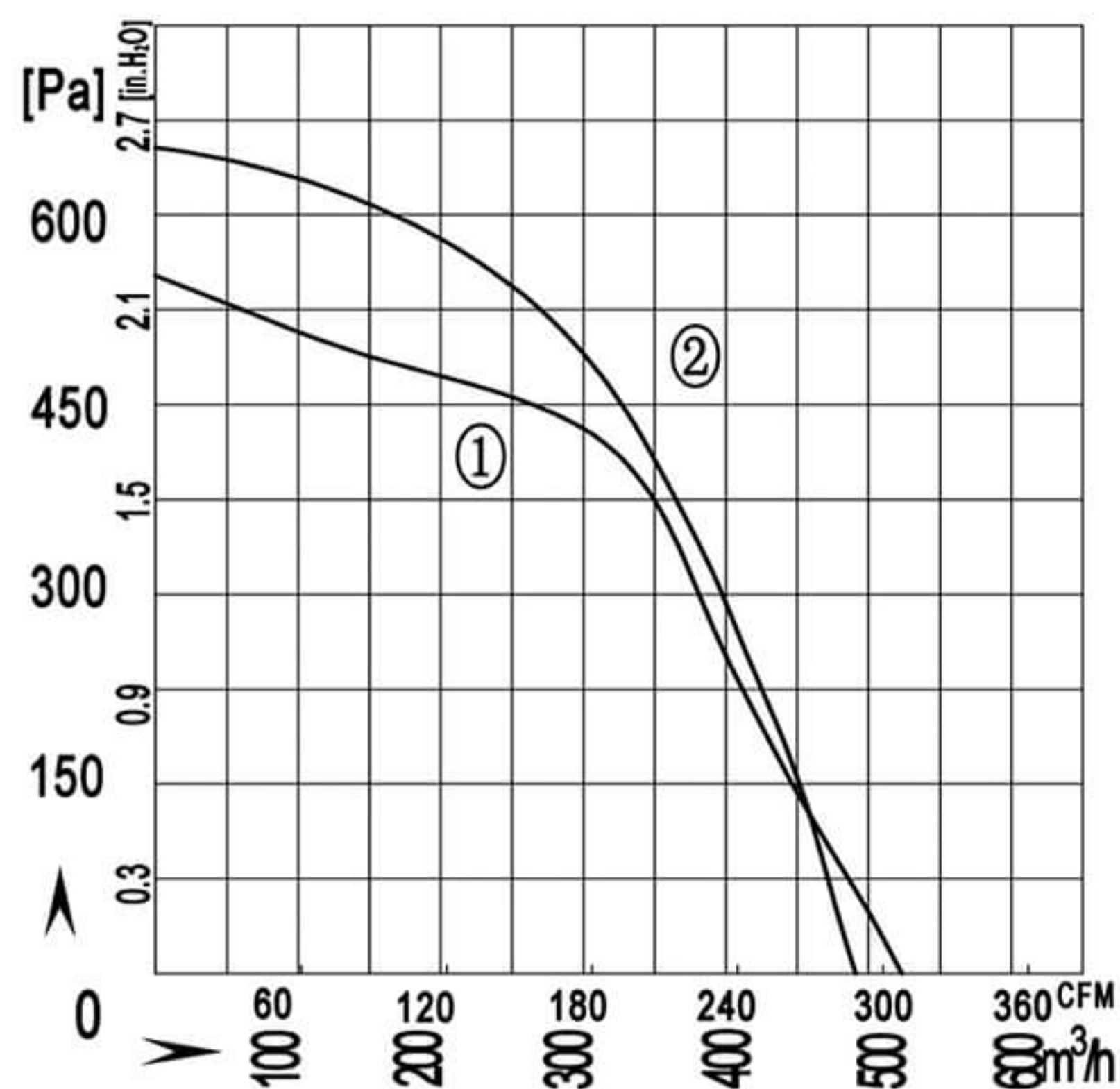


material: Galvanised sheet steel
 Protection Class: IP44
 Approvals: CCC CE
 Insulation class: F

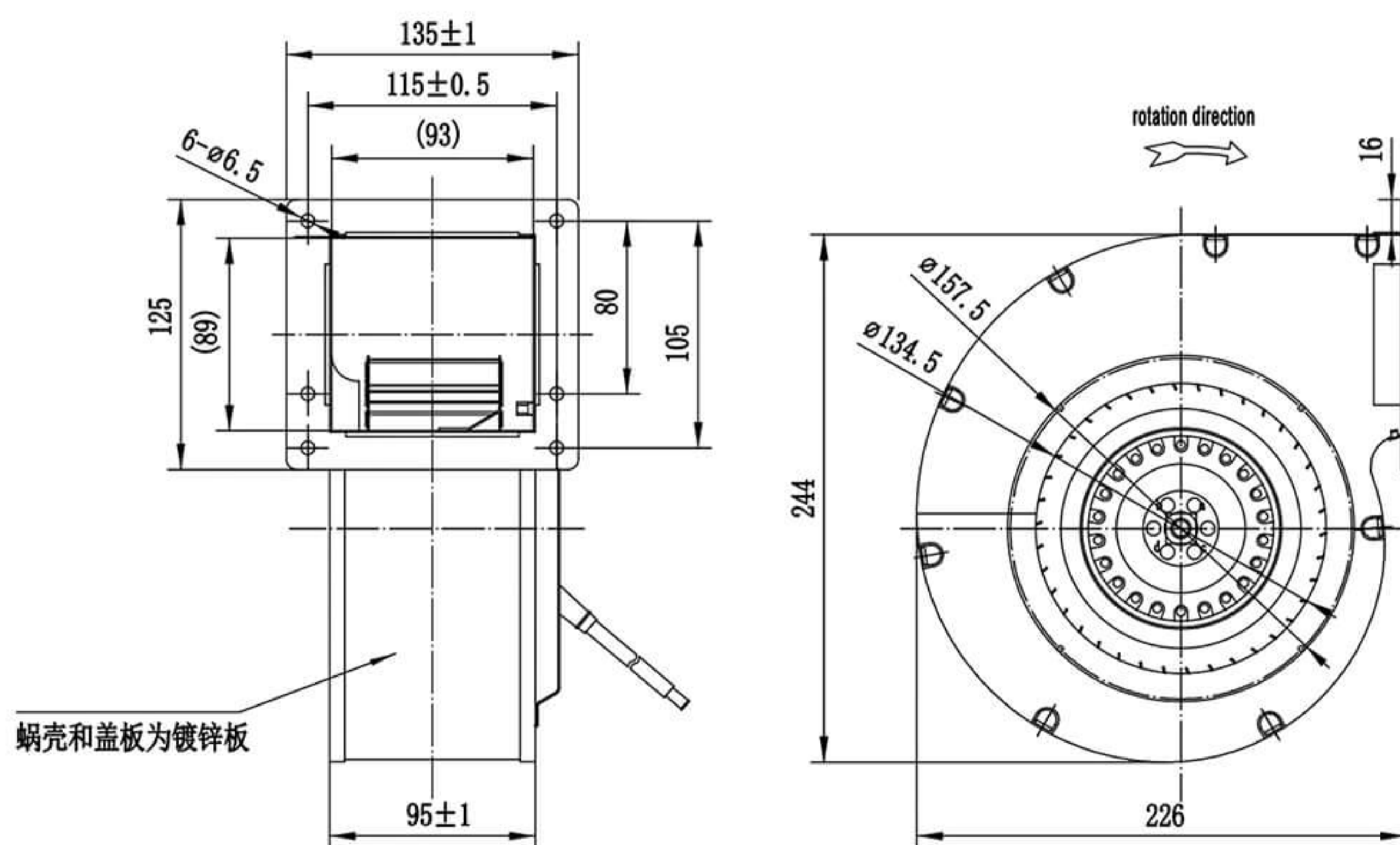


	Voltage V	Frequency Hz	Current A	Input Power W	Speed rpm	Capacitor µF	Air Flow m³/h / CFM	Noise dB(A)	Temperature Min / Max(°C)	Curve No. #	Approvals
BMF 150-070W-AE00	220/230	50	0.83	183	2300	4	530 / 307	63	-30 / +60	①	CCC,CE,RoHS
	220/230	60	1.04	230	2200	4	480 / 278	68	-30 / +60	②	CCC,CE,RoHS

160-060W Forward Centrifugal Fan

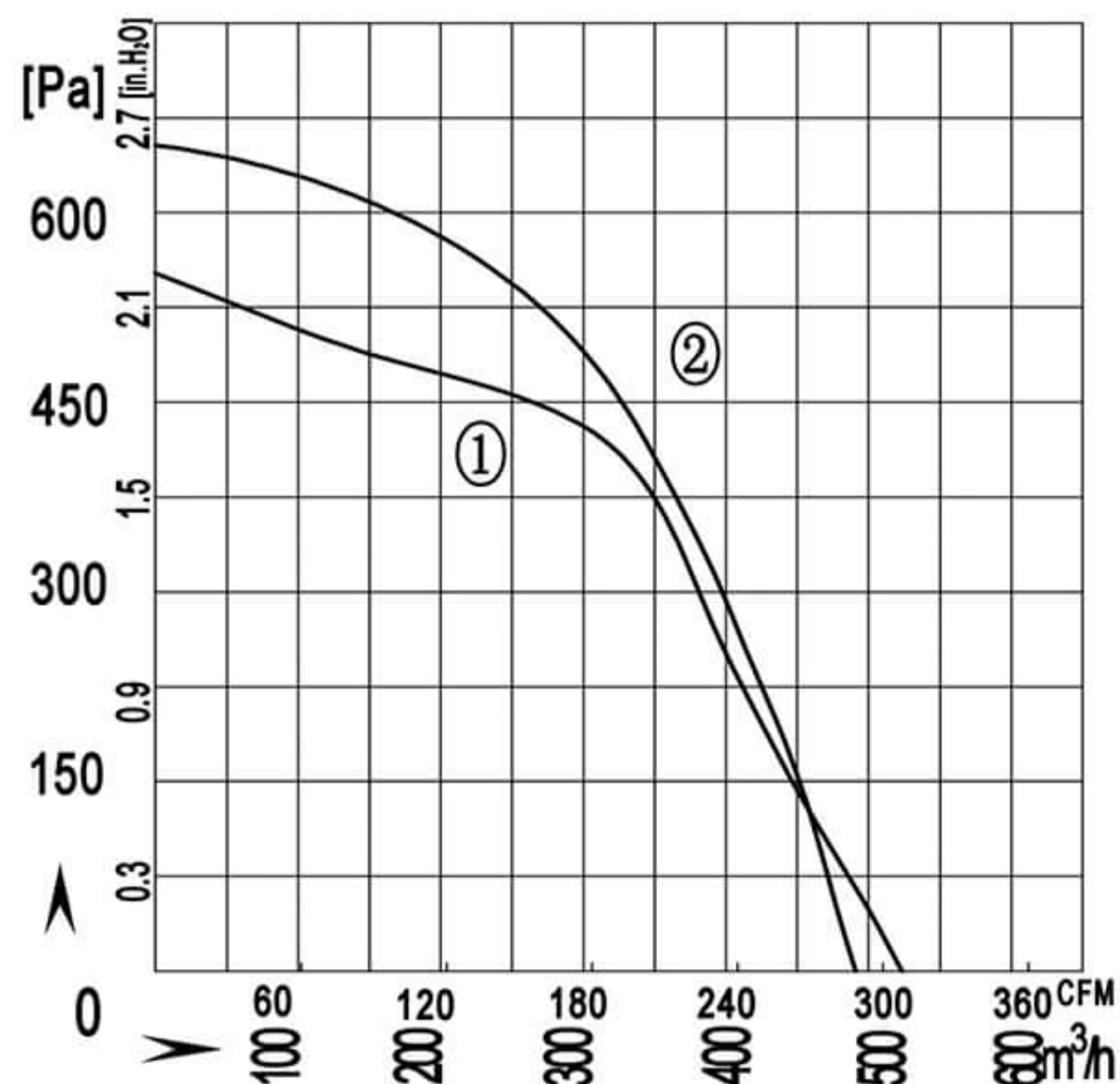


Impeller material: Plastic PA66
 Protection Class: IP44
 Approvals: CCC CE
 Insulation class: F

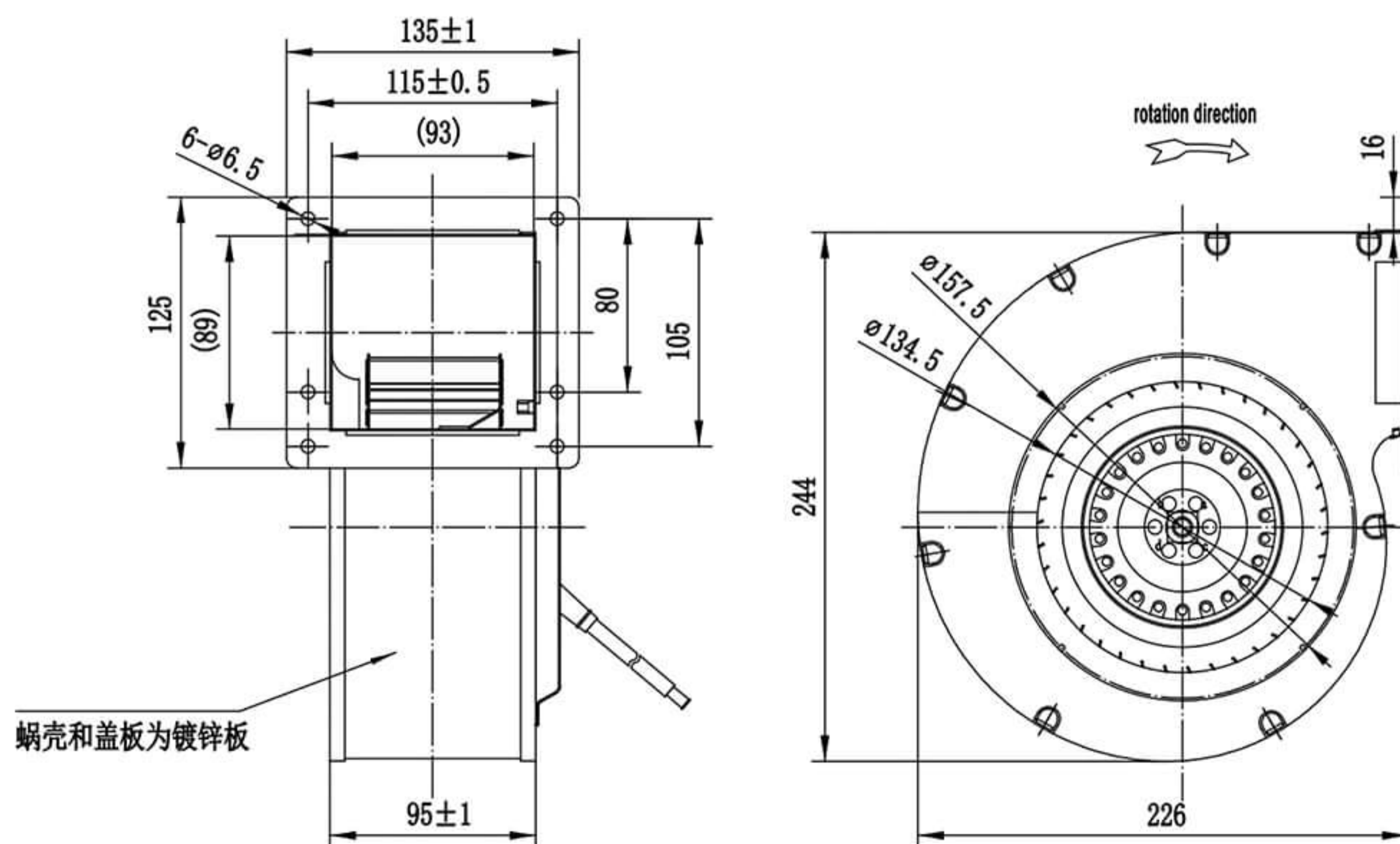


	Voltage V	Frequency Hz	Current A	Input Power W	Speed rpm	Capacitor μF	Air Flow m³/h / CFM	Noise dB(A)	Temperature Min / Max(°C)	Curve No. #	Approvals
BMF 160-060W-AES0	220/230	50	1.10	230	1700	4	530 / 310	63	-30 / +60	①	CCC ,CE,RoHS
BMF 160-060W-AESA	110/120	60	2.2	250	1500	14	450 / 265	63	-30 / +60	②	UL,RoHS

160-060W Forward Centrifugal Fan

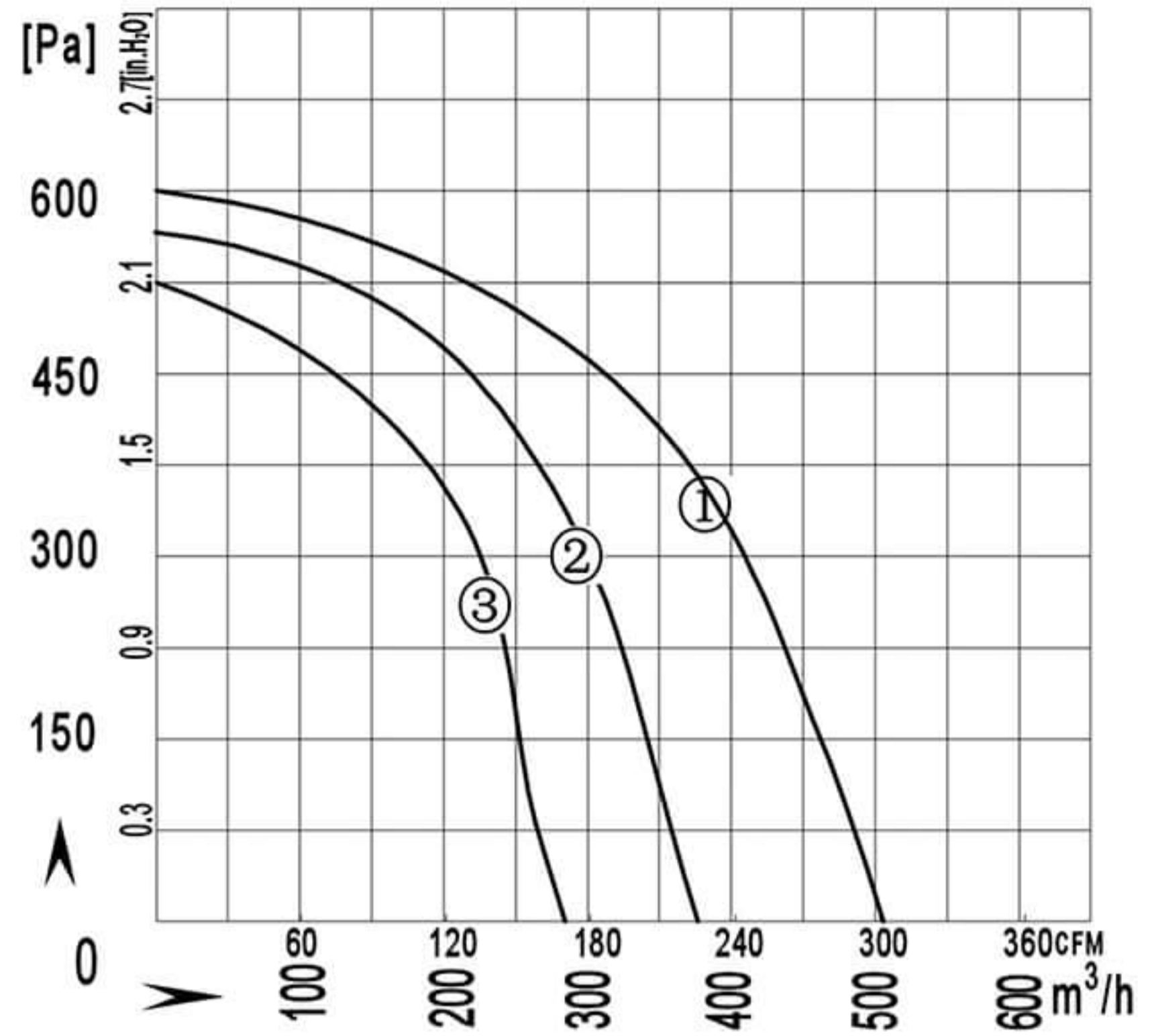


Impeller material: Plastic PA66
 Protection Class: IP44
 Approvals: CCC CE
 Insulation class: F

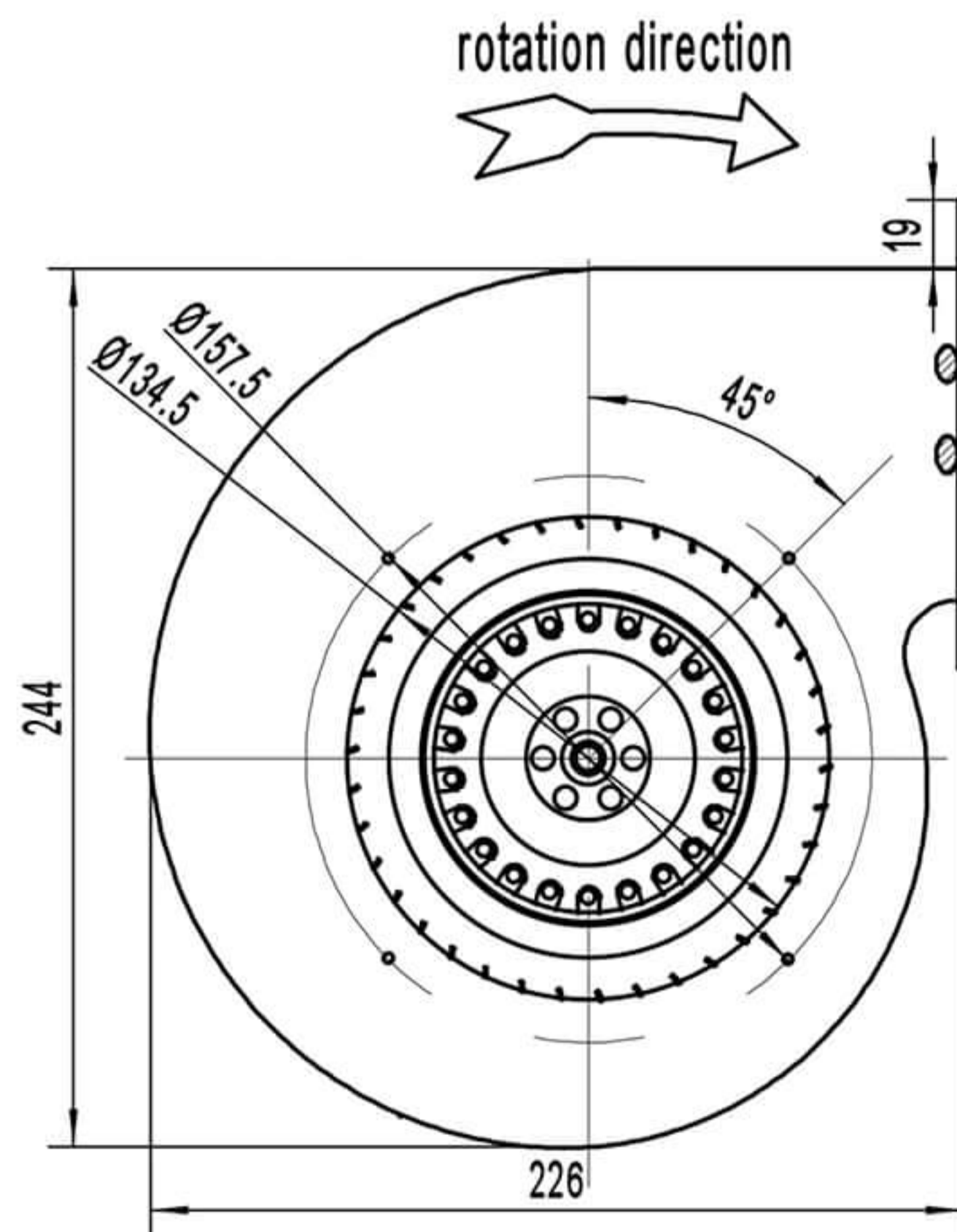
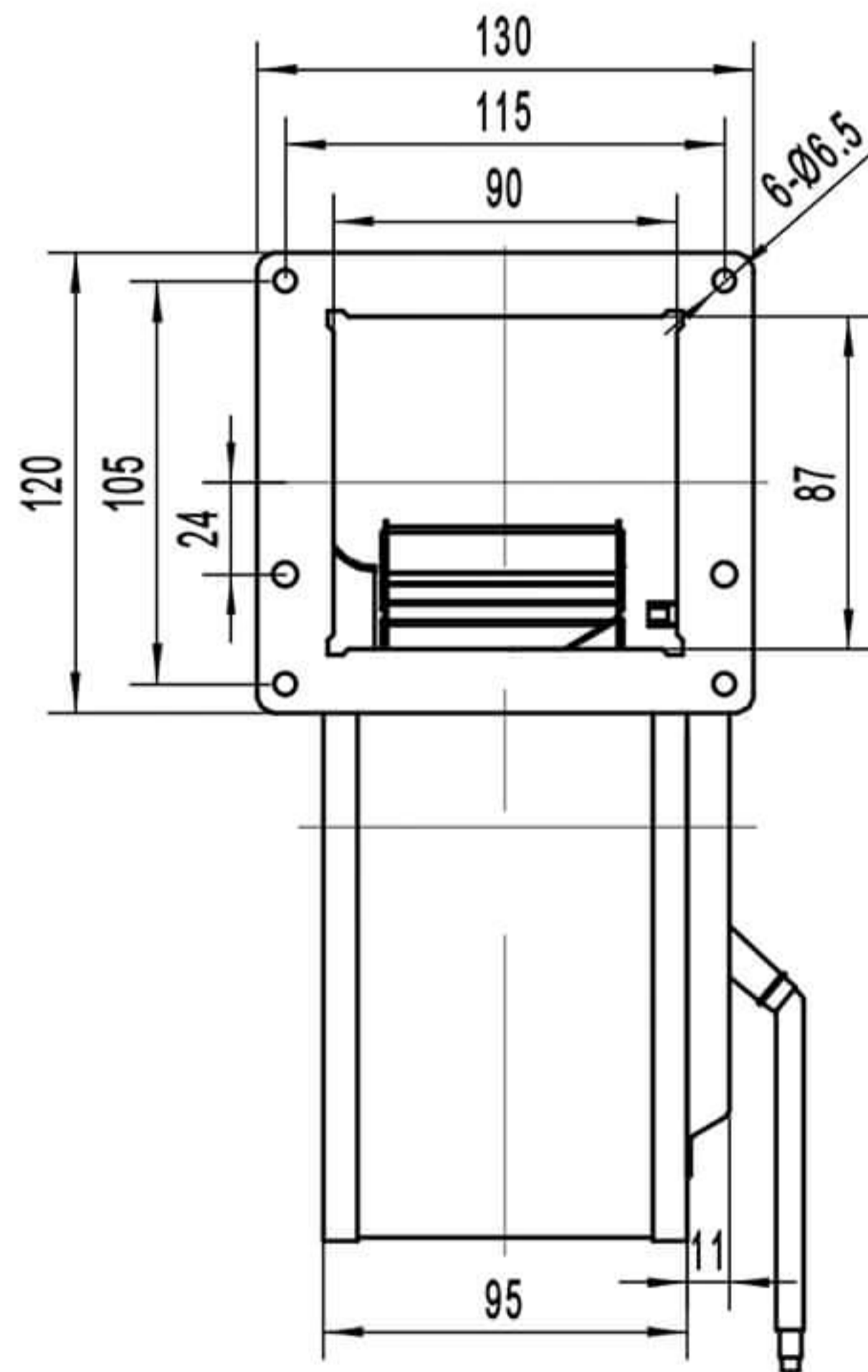


	Voltage V	Frequency Hz	Current A	Input Power W	Speed rpm	Capacitor µF	Air Flow m3/h / CFM	Noise dB(A)	Temperature Min / Max(°C)	Curve No. #	Approvals
BMF 160-060W-AES0	220/230	50	1.10	230	1700	4	530 / 310	63	-30 / +60	①	CCC ,CE,RoHS
BMF 160-060W-AESA	110/120	60	2.2	250	1500	14	450 / 265	63	-30 / +60	②	UL,RoHS

160-70W Forward Centrifugal Fan

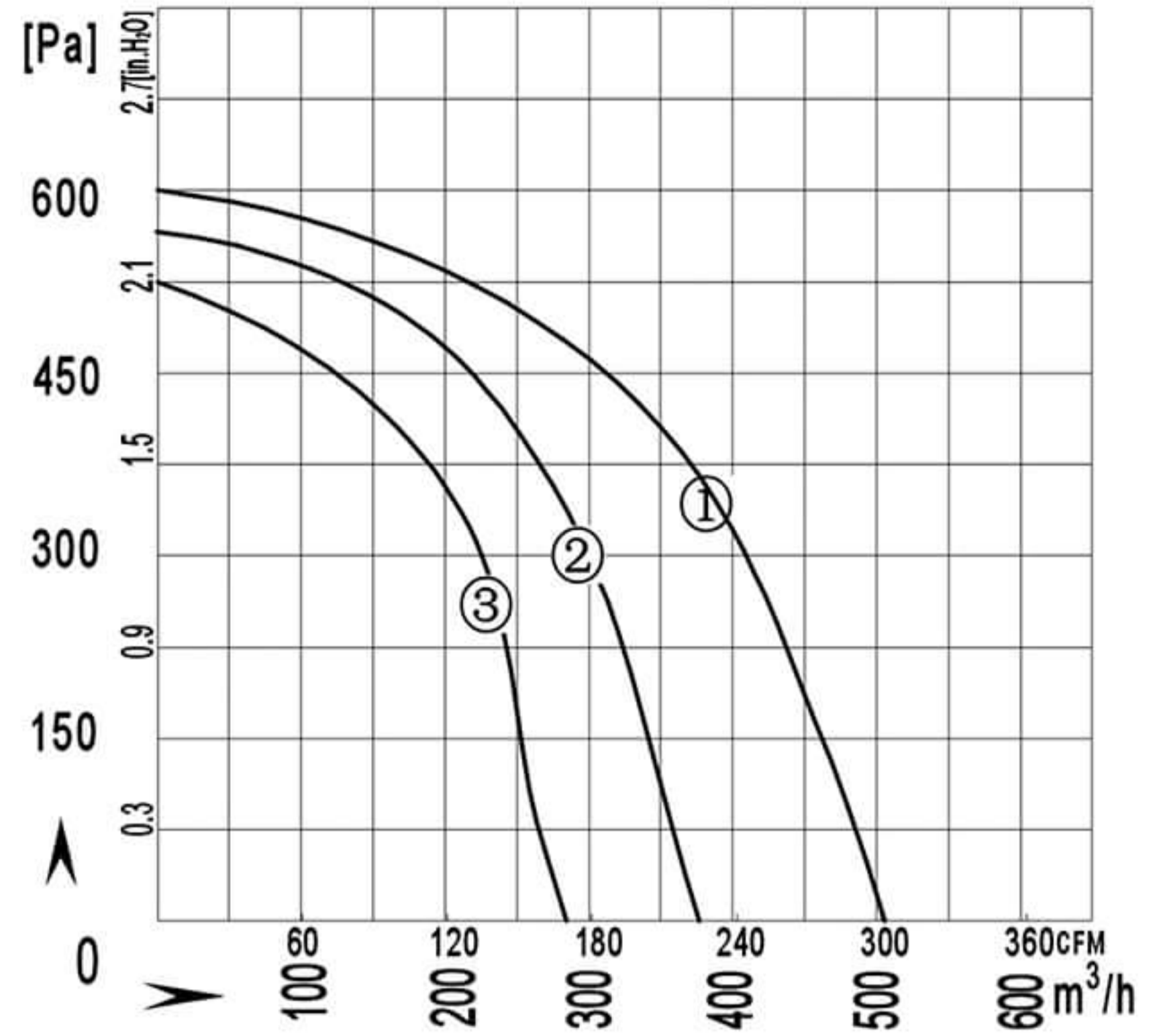


Impeller material: Plastic PA66
 Protection Class: IP44
 Approvals: CCC CE
 Insulation class: F

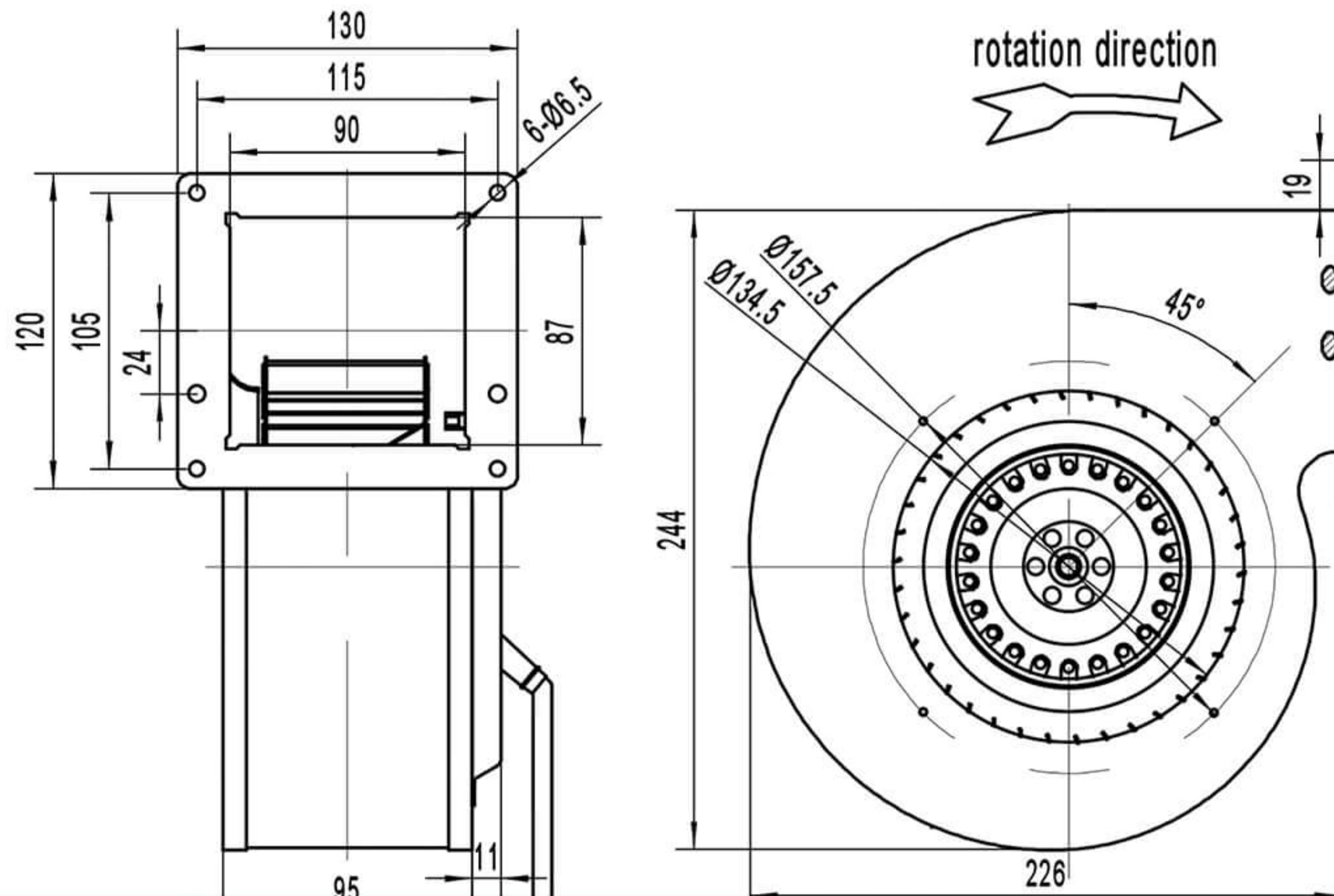


	Voltage V	Frequency Hz	Current A	Input Power W	Speed rpm	Capacitor µF	Air Flow m3/h / CFM	Noise dB(A)	Temperature Min / Max(°C)	Curve No. #	Approvals
BMF 160-070W-TE50	220/230	50	1.00	220	1800	4	510 / 300	61	-30 / +60	①	CCC,CE,RoHS
	220/230	50	0.90	190	1300	4	375 / 220	54	-30 / +60	②	CCC,CE,RoHS
	220/230	50	0.75	160	1000	4	280 / 165	47	-30 / +60	③	CCC,CE,RoHS

160-70W Forward Centrifugal Fan

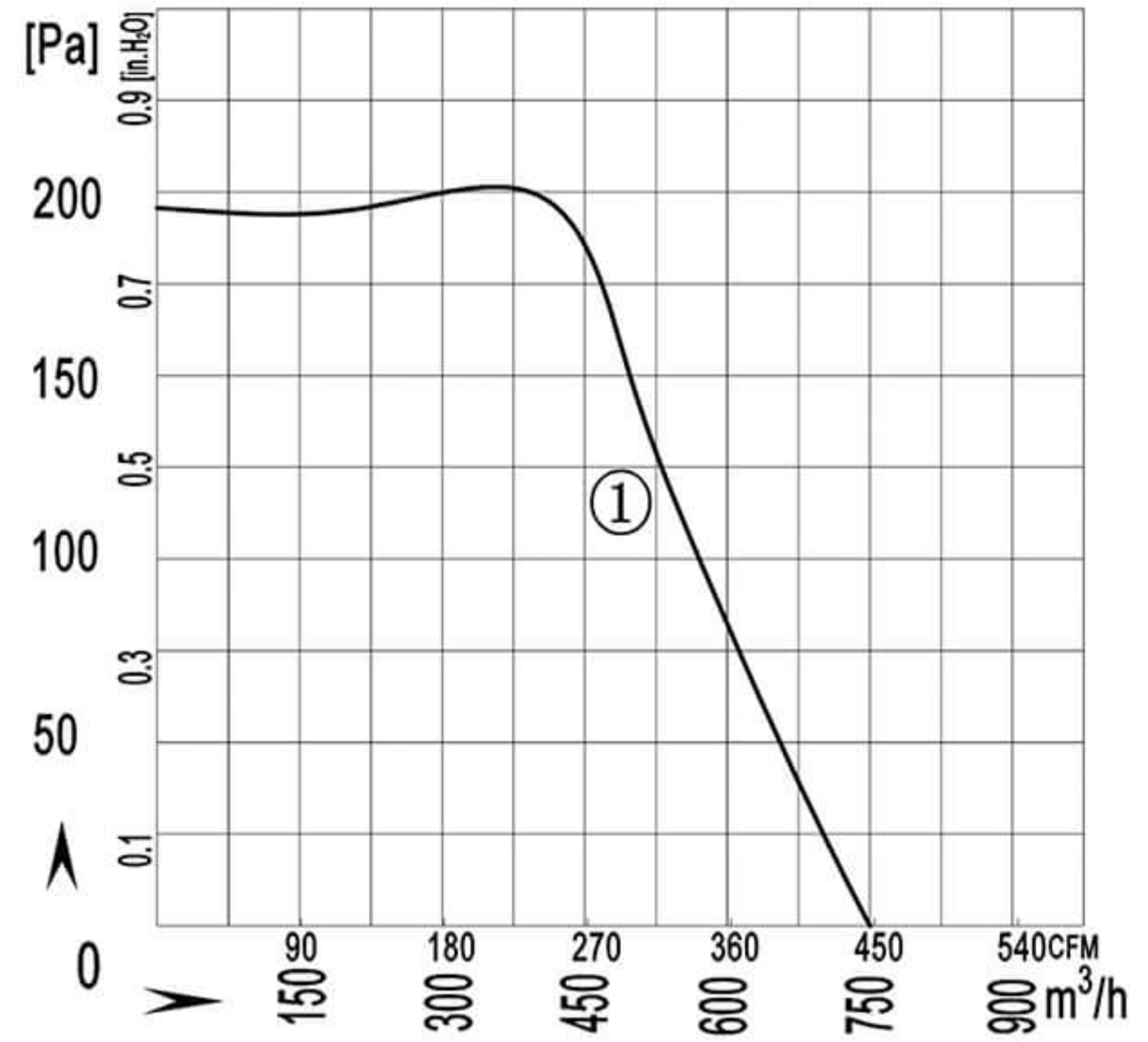


Impeller material: Plastic PA66
 Protection Class: IP44
 Approvals: CCC CE
 Insulation class: F

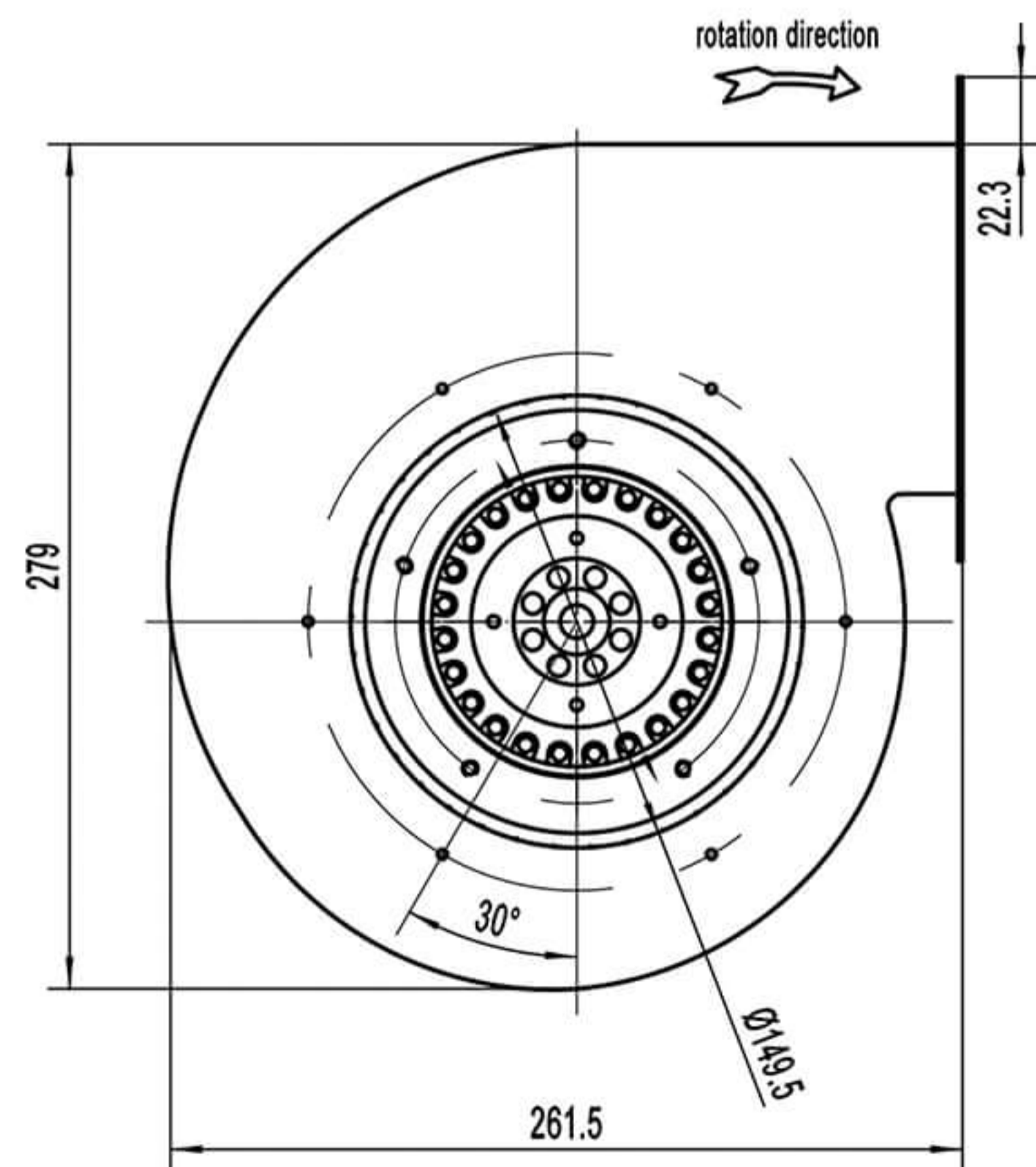
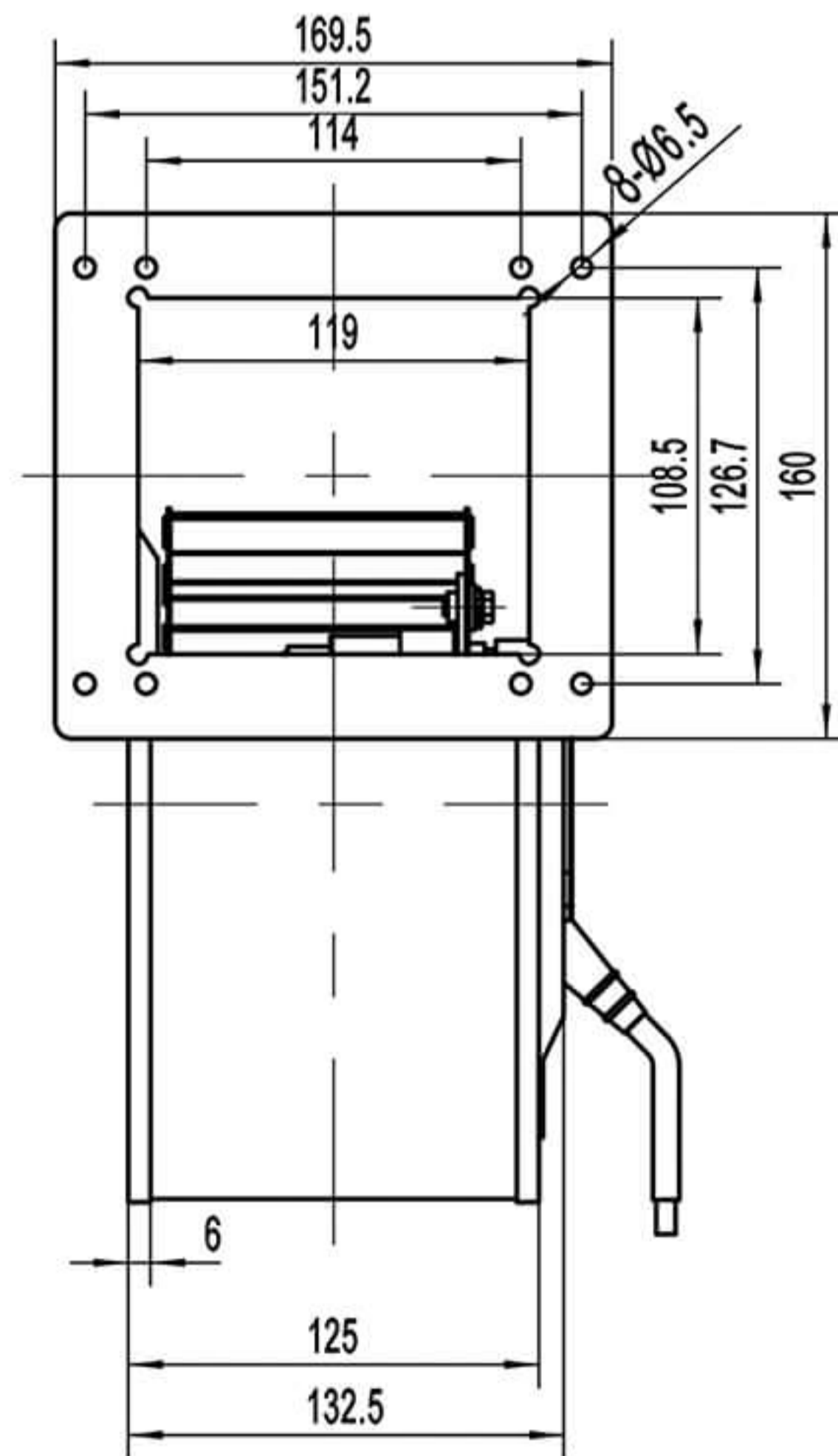


	Voltage V	Frequency Hz	Current A	Input Power W	Speed rpm	Capacitor µF	Air Flow m3/h / CFM	Noise dB(A)	Temperature Min / Max(°C)	Curve No. #	Approvals
BMF 160-070W-TE0	220/230	50	1.00	220	1800	4	510 / 300	61	-30 / +60	①	CCC,CE,RoHS
	220/230	50	0.90	190	1300	4	375 / 220	54	-30 / +60	②	CCC,CE,RoHS
	220/230	50	0.75	160	1000	4	280 / 165	47	-30 / +60	③	CCC,CE,RoHS

180-092W Forward Centrifugal Fan

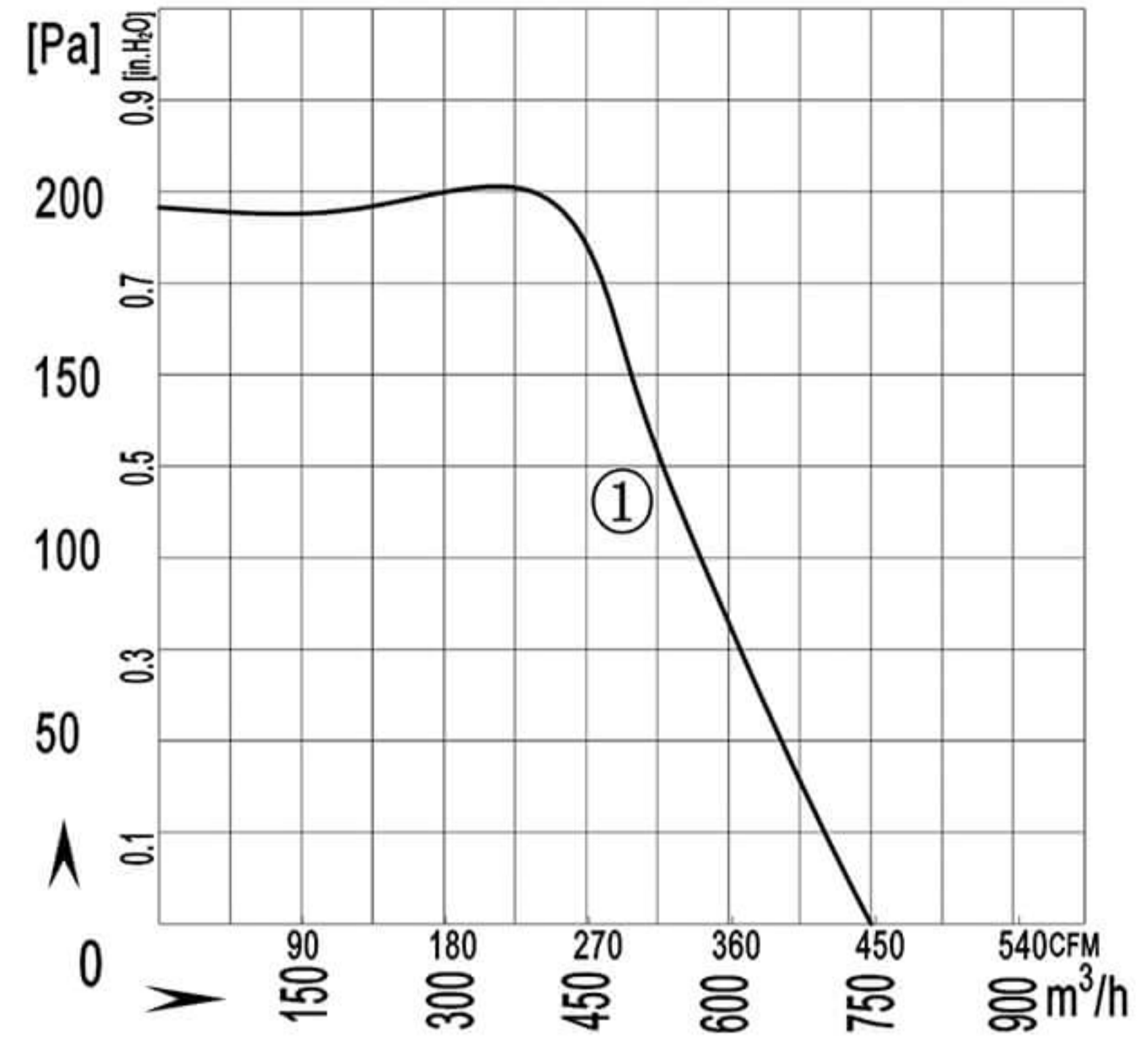


material: Galvanised sheet steel
 Protection Class: IP54
 Approvals: CCC CE
 Insulation class: F

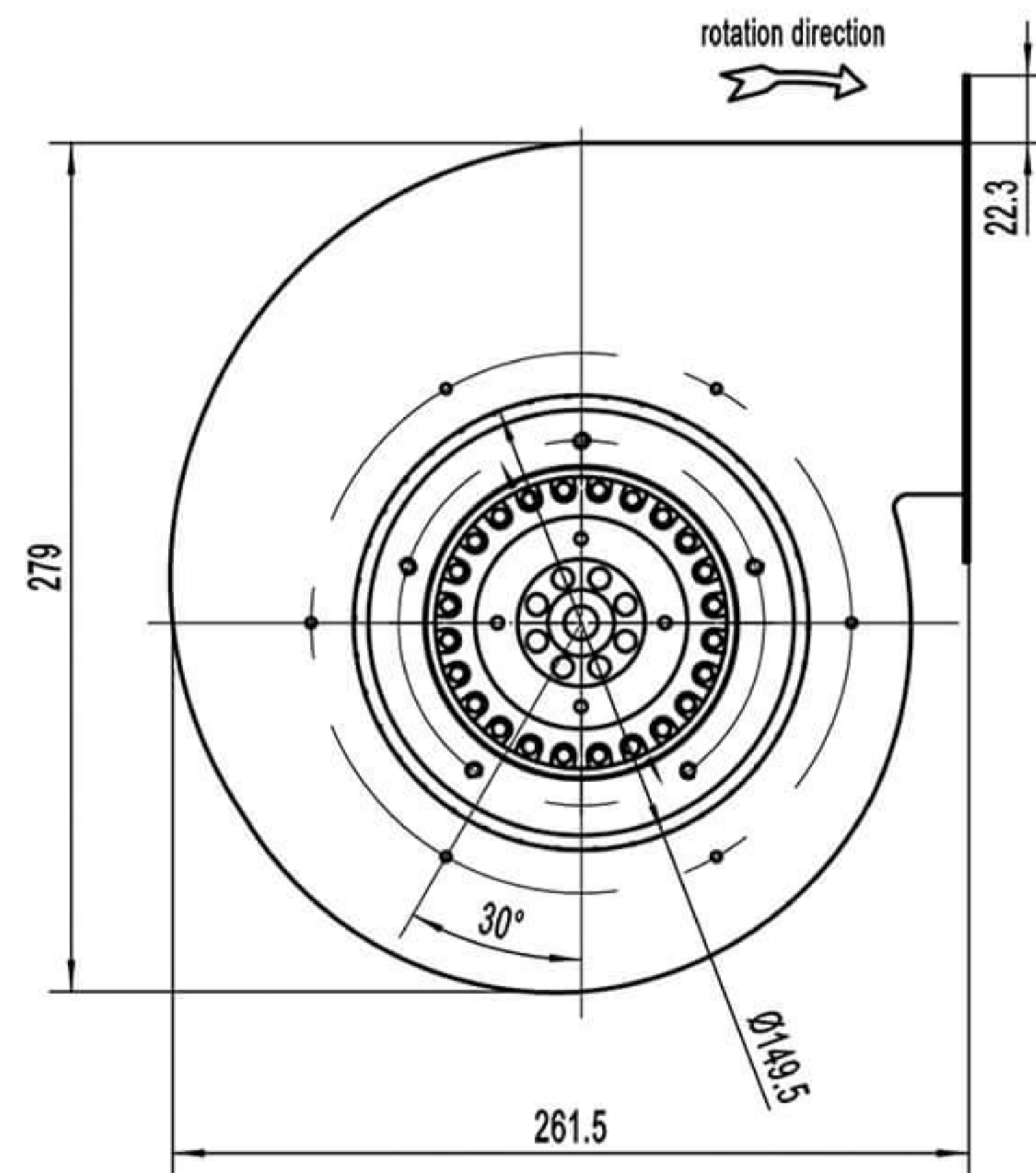
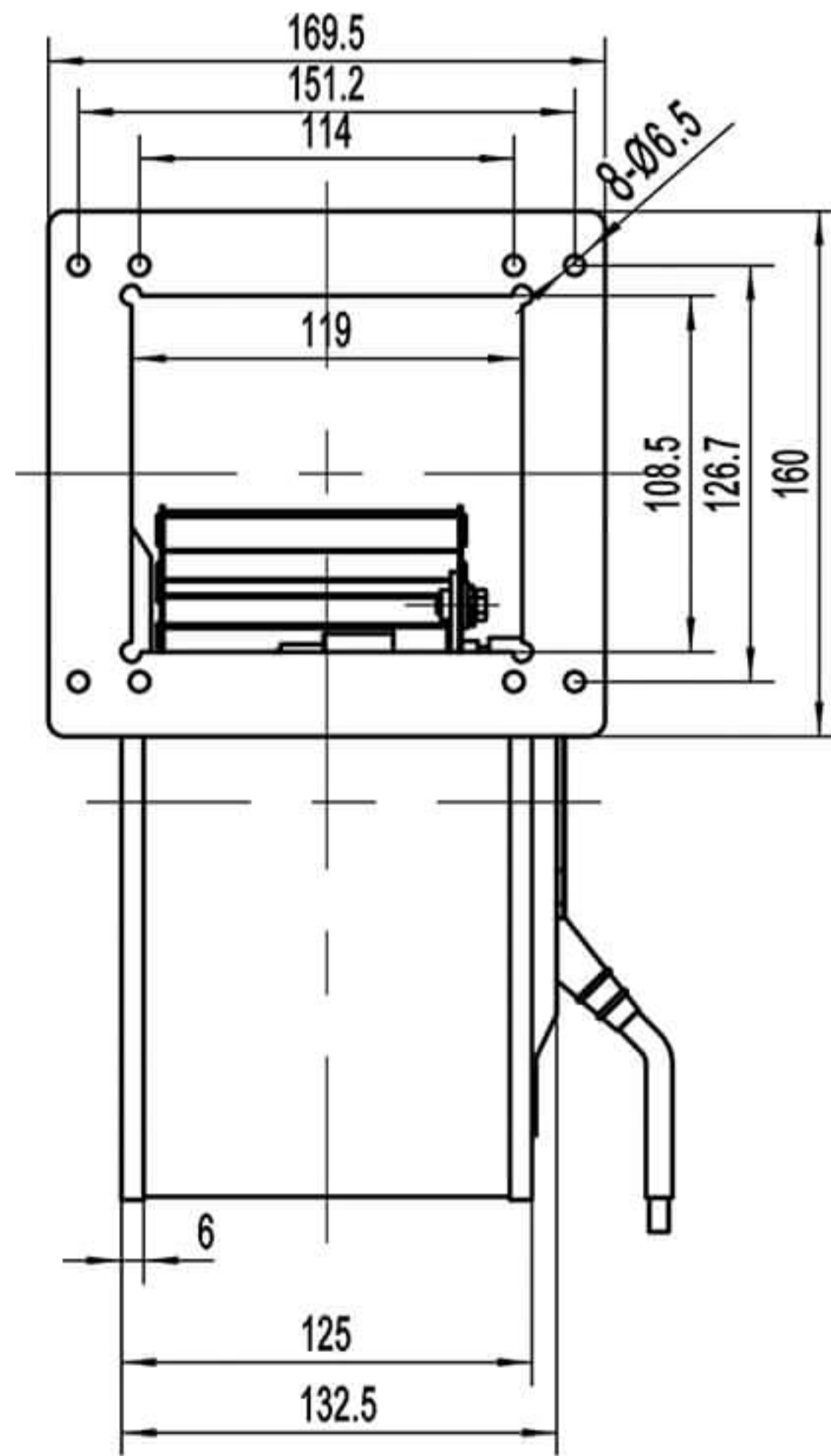


	Voltage V	Frequency Hz	Current A	Input Power W	Speed rpm	Capacitor µF	Air Flow m³/h / CFM	Noise dB(A)	Temperature Min / Max(°C)	Curve No. #	Approvals
BMF 180-092W-AL00	220/230	50	0.70	135	1330	3	750 / 441	63	-30 / +60	①	CCC,CE,RoHS

180-092W Forward Centrifugal Fan

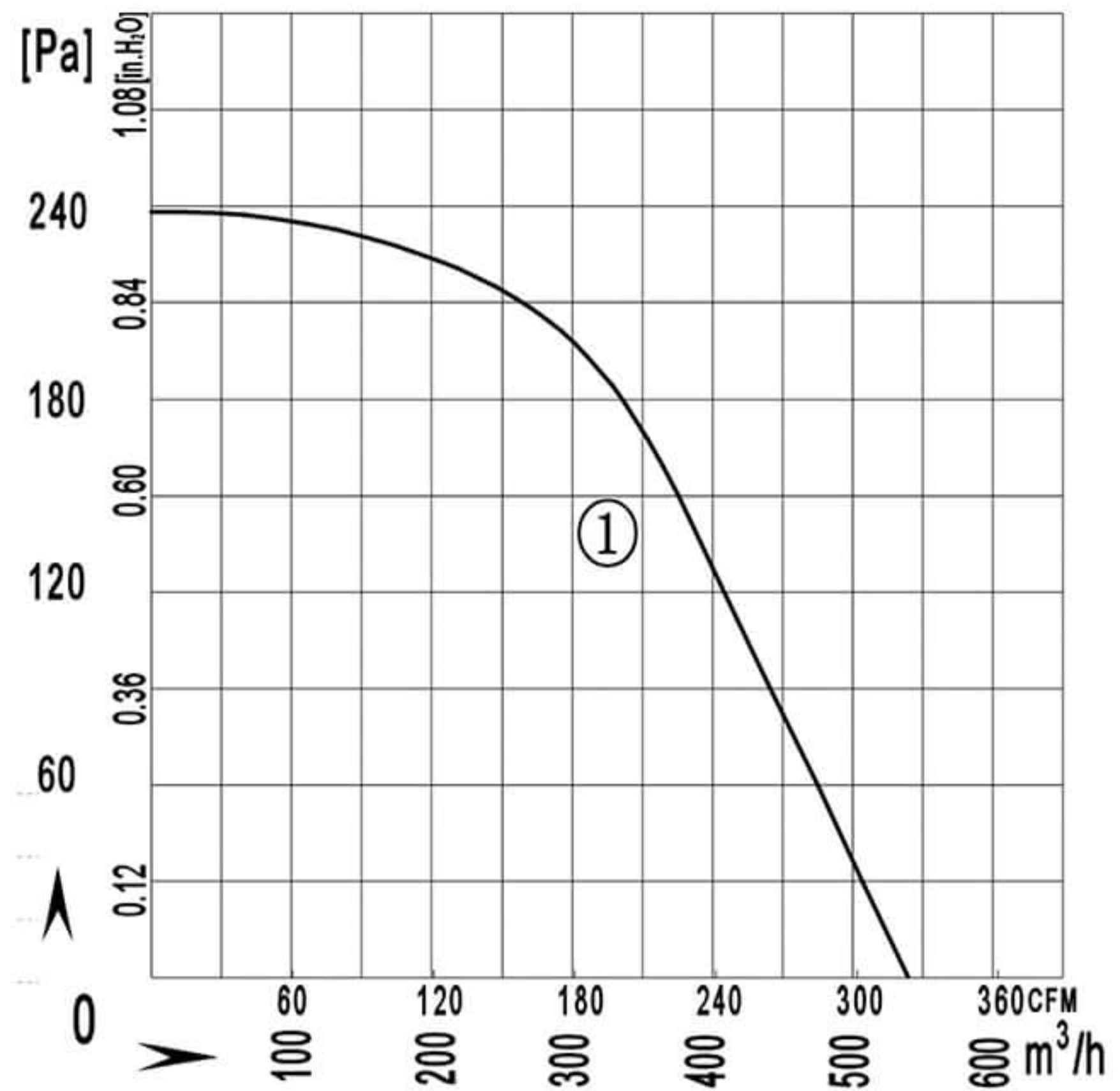


material: Galvanised sheet steel
 Protection Class: IP54
 Approvals: CCC CE
 Insulation class: F

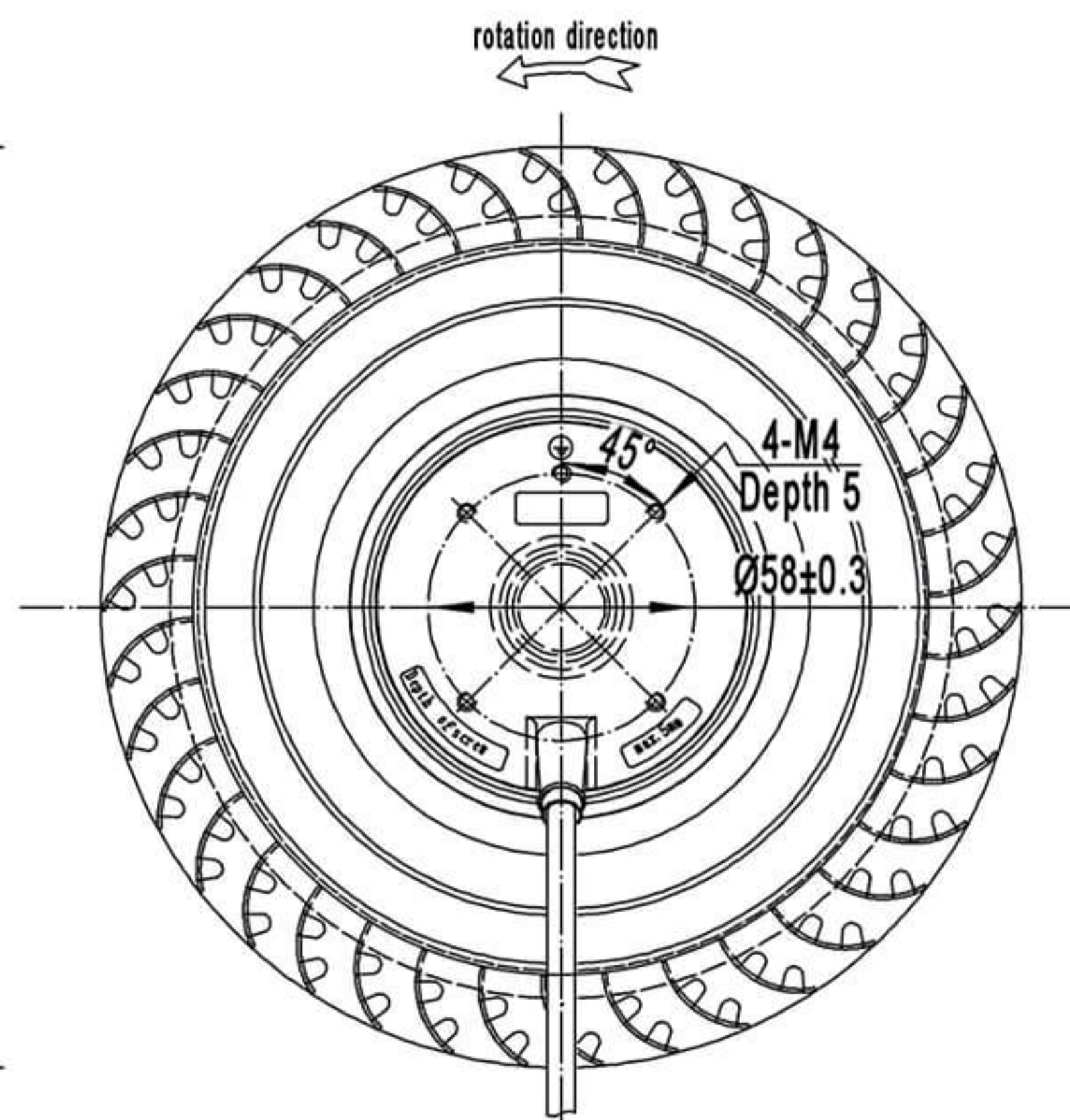
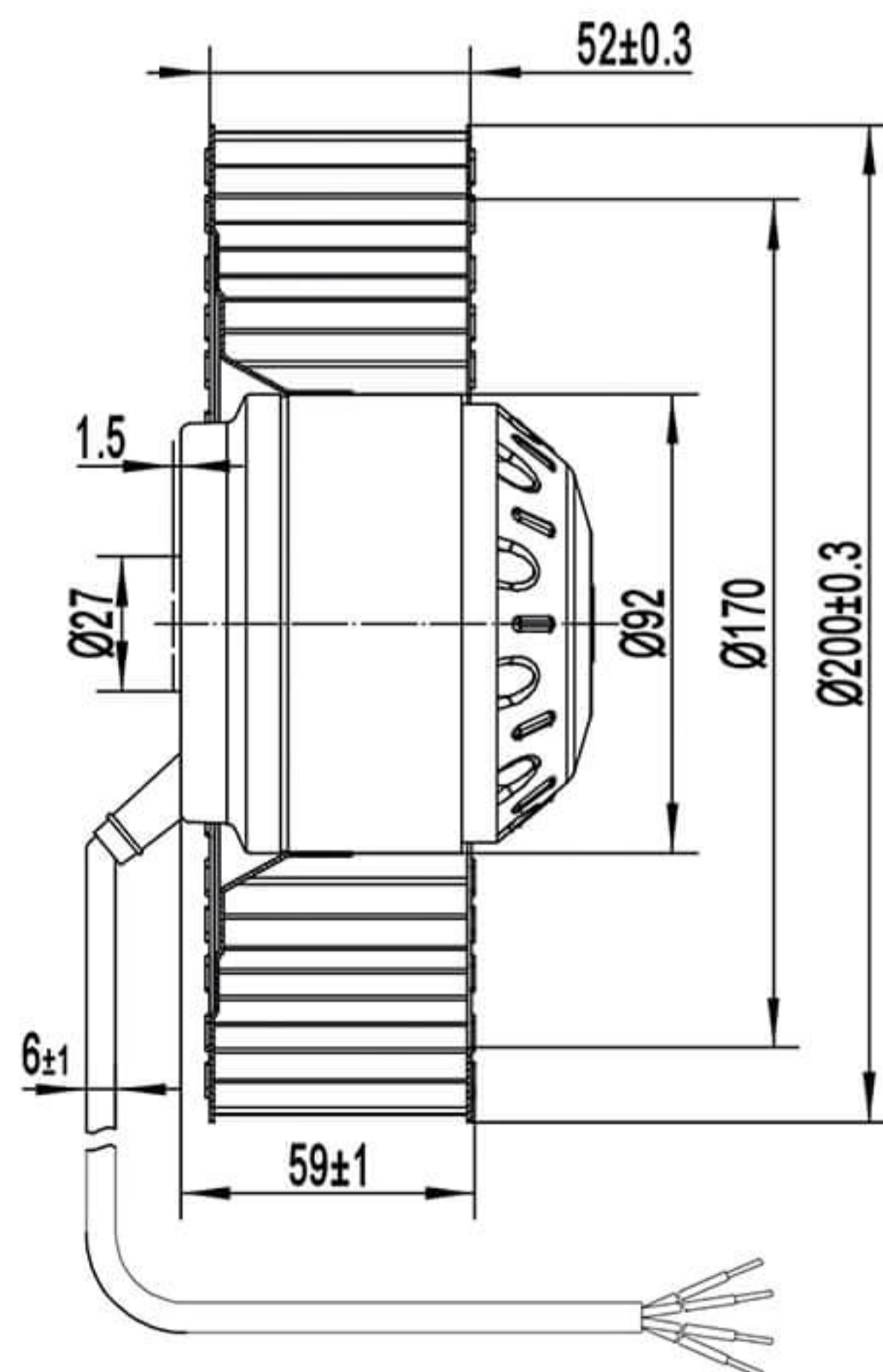


	Voltage V	Frequency Hz	Current A	Input Power W	Speed rpm	Capacitor µF	Air Flow m ³ /h / CFM	Noise dB(A)	Temperature Min / Max(°C)	Curve No. #	Approvals
BMF 180-092W-AL00	220/230	50	0.70	135	1330	3	750 / 441	63	-30 / +60	①	CCC,CE,RoHS

200-052A Forward Centrifugal Fan

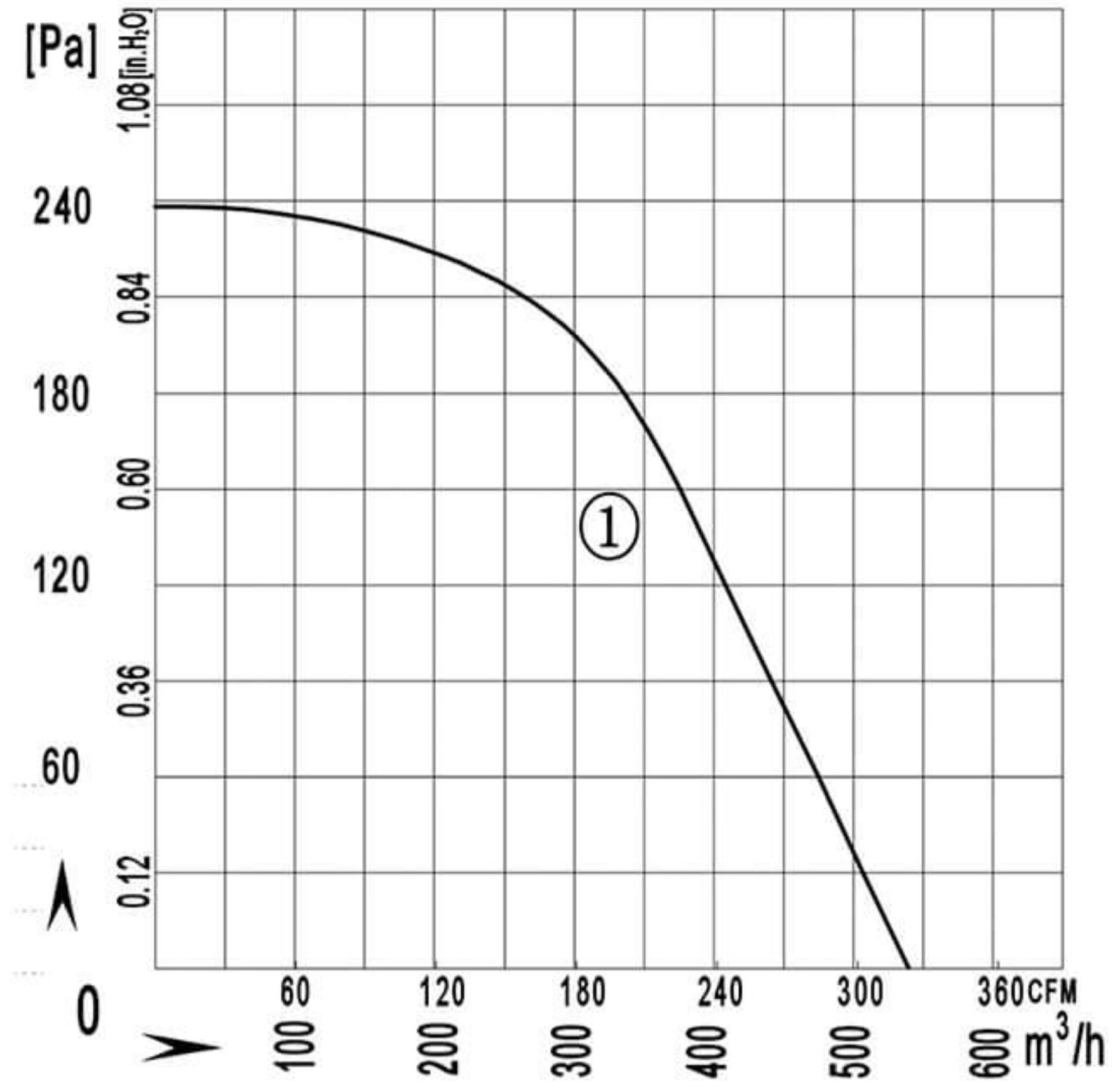


material: Galvanised sheet steel
 Protection Class: IP44
 Approvals: CCC CE
 Insulation class: F

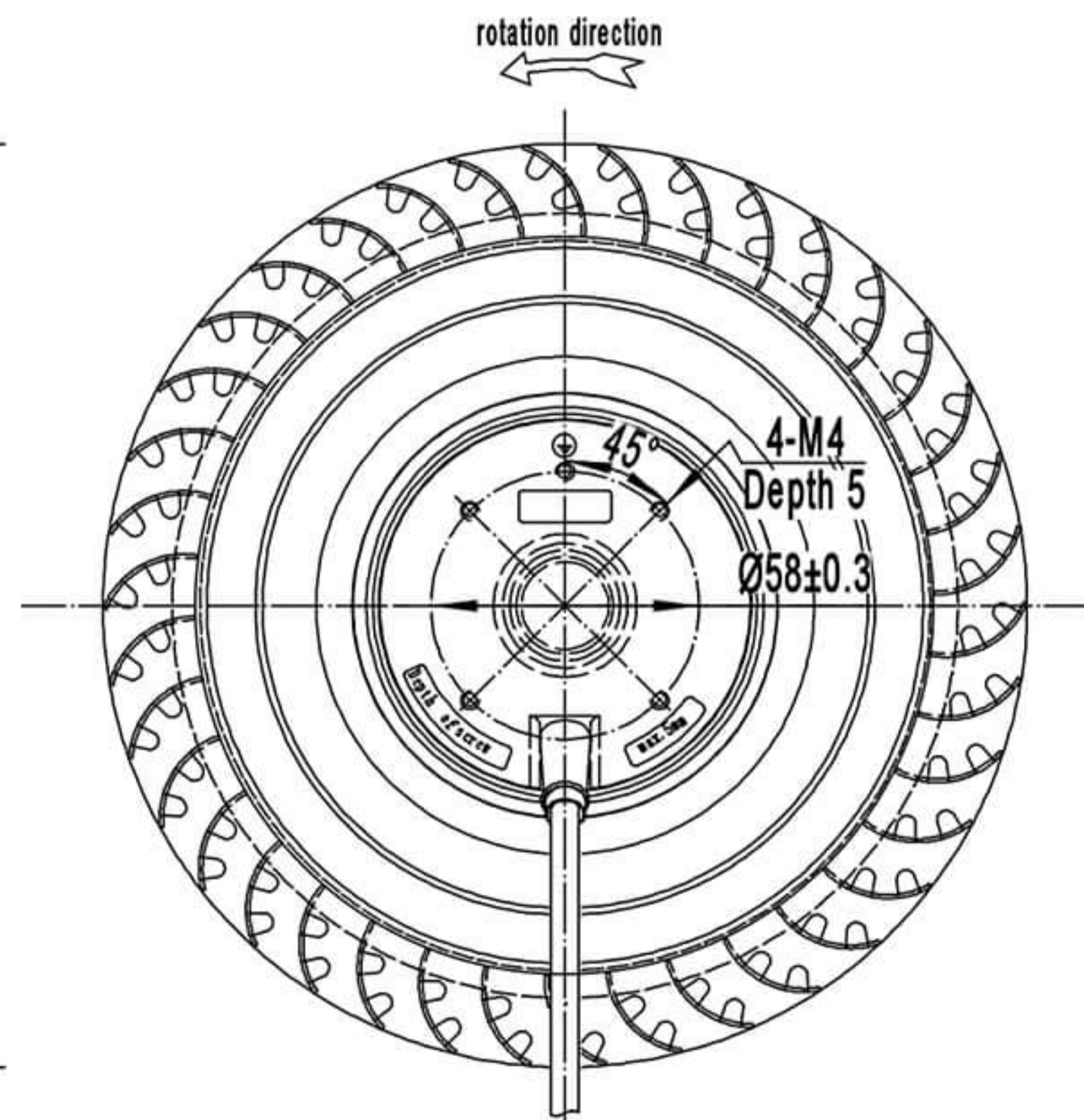
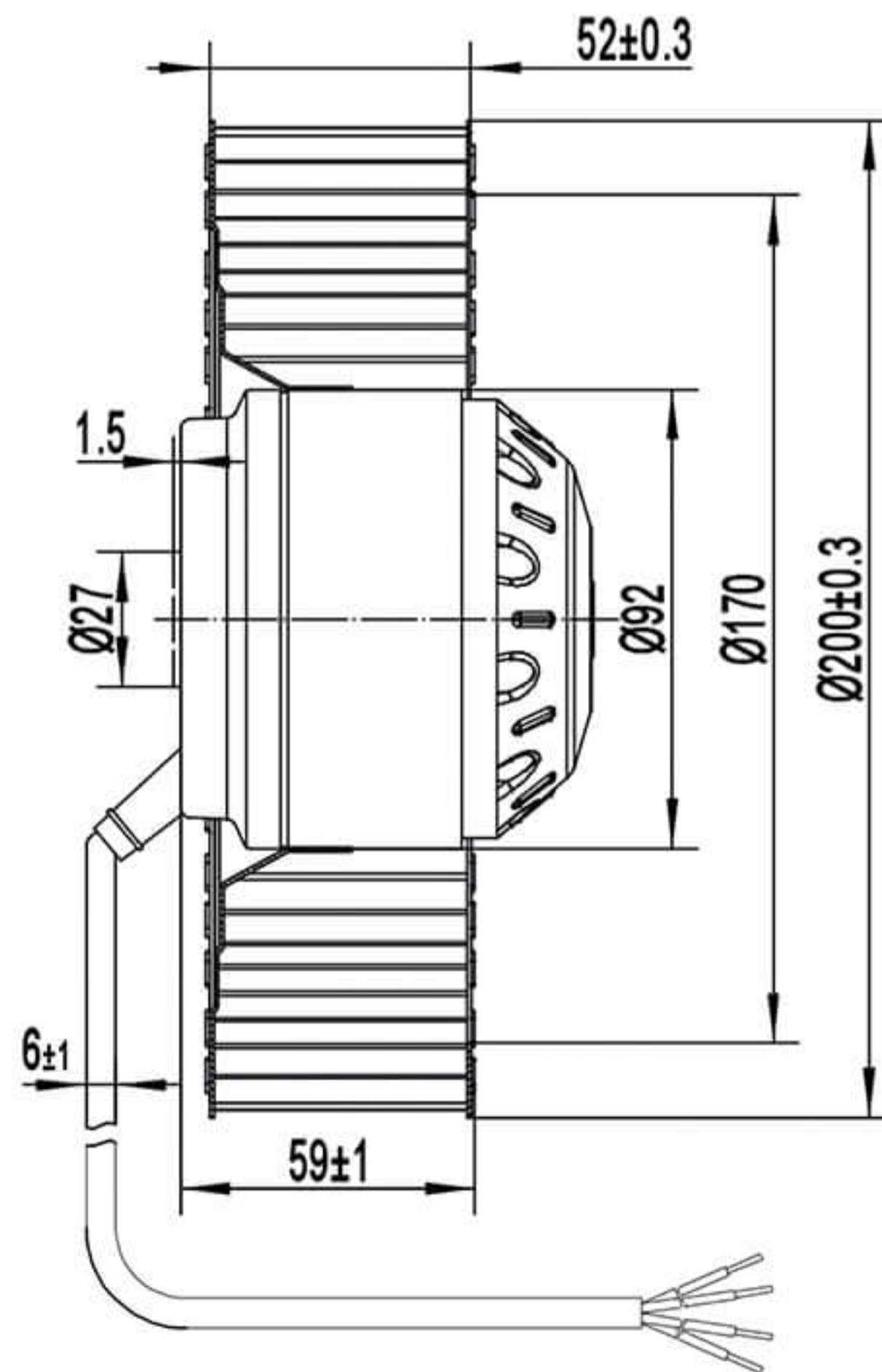


	Voltage V	Frequency Hz	Current A	Input Power W	Speed rpm	Capacitor µF	Air Flow m³/h / CFM	Noise dB(A)	Temperature Min / Max(°C)	Curve No. #	Approvals
BMF 200-052A-AE00	220~230	50	0.55	120	1300	3/500	540 / 315	58	-30 / +60	①	CCC,CE,RoHS

200-052A Forward Centrifugal Fan

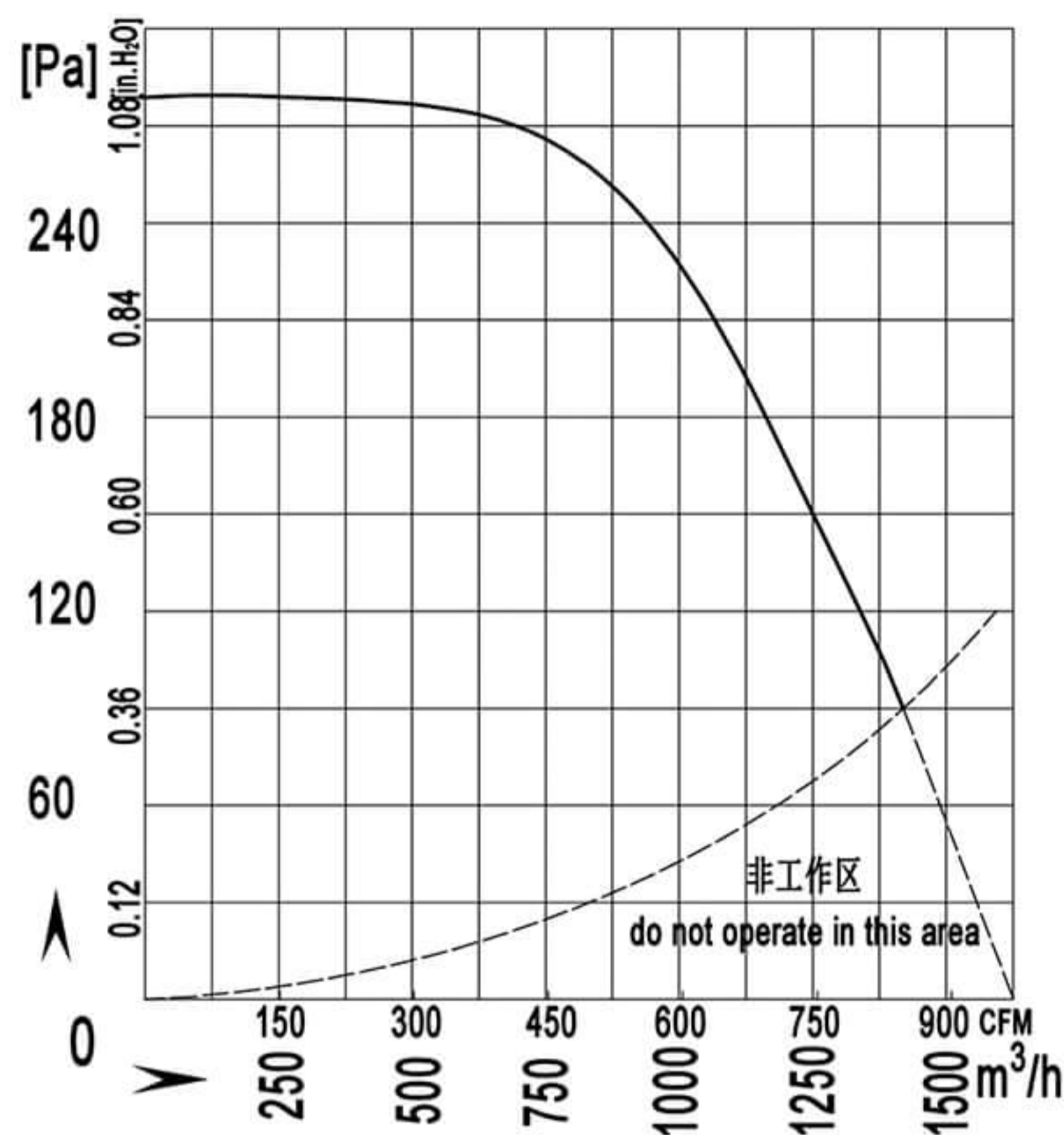


material: Galvanised sheet steel
 Protection Class: IP44
 Approvals: CCC CE
 Insulation class: F

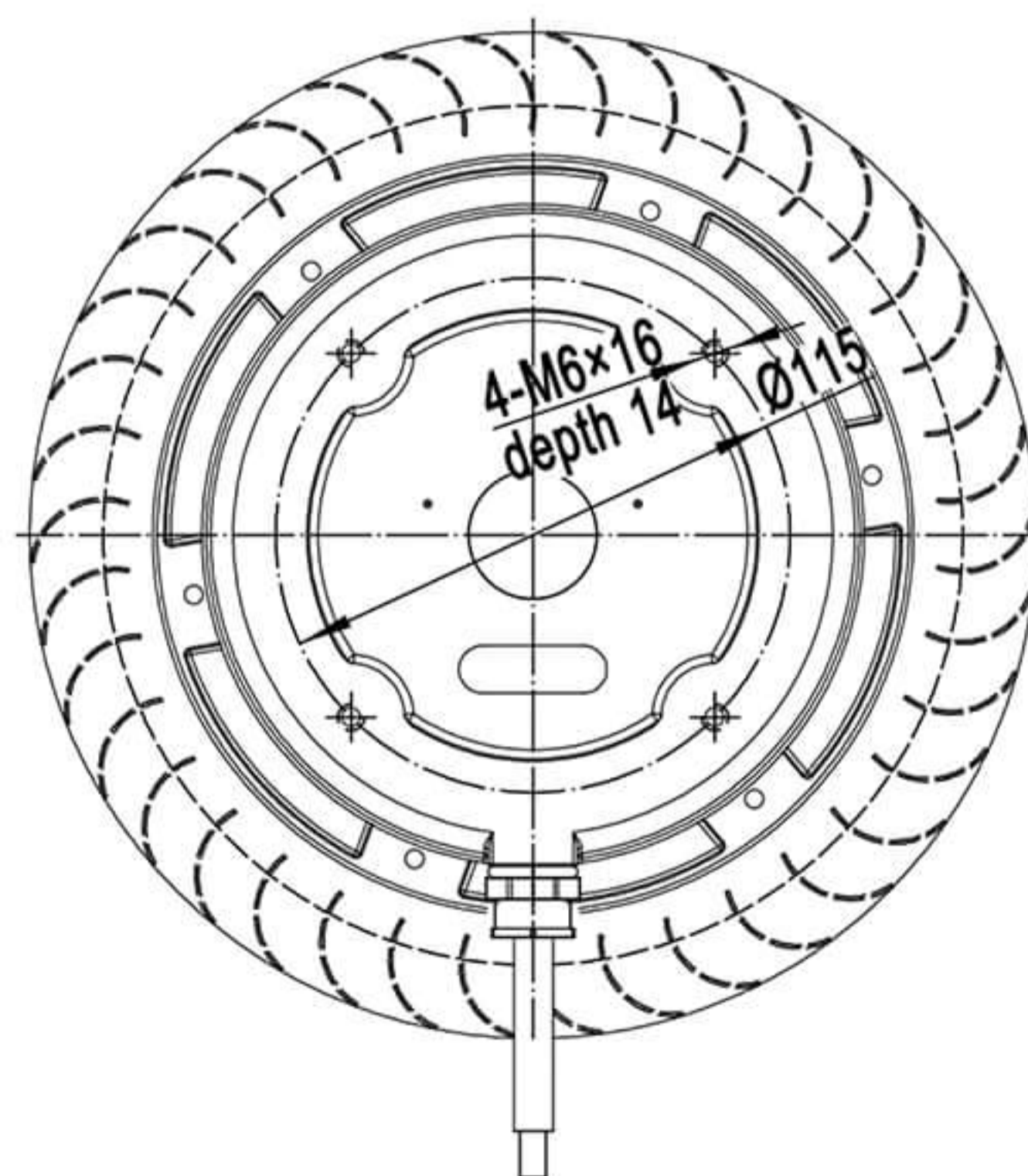
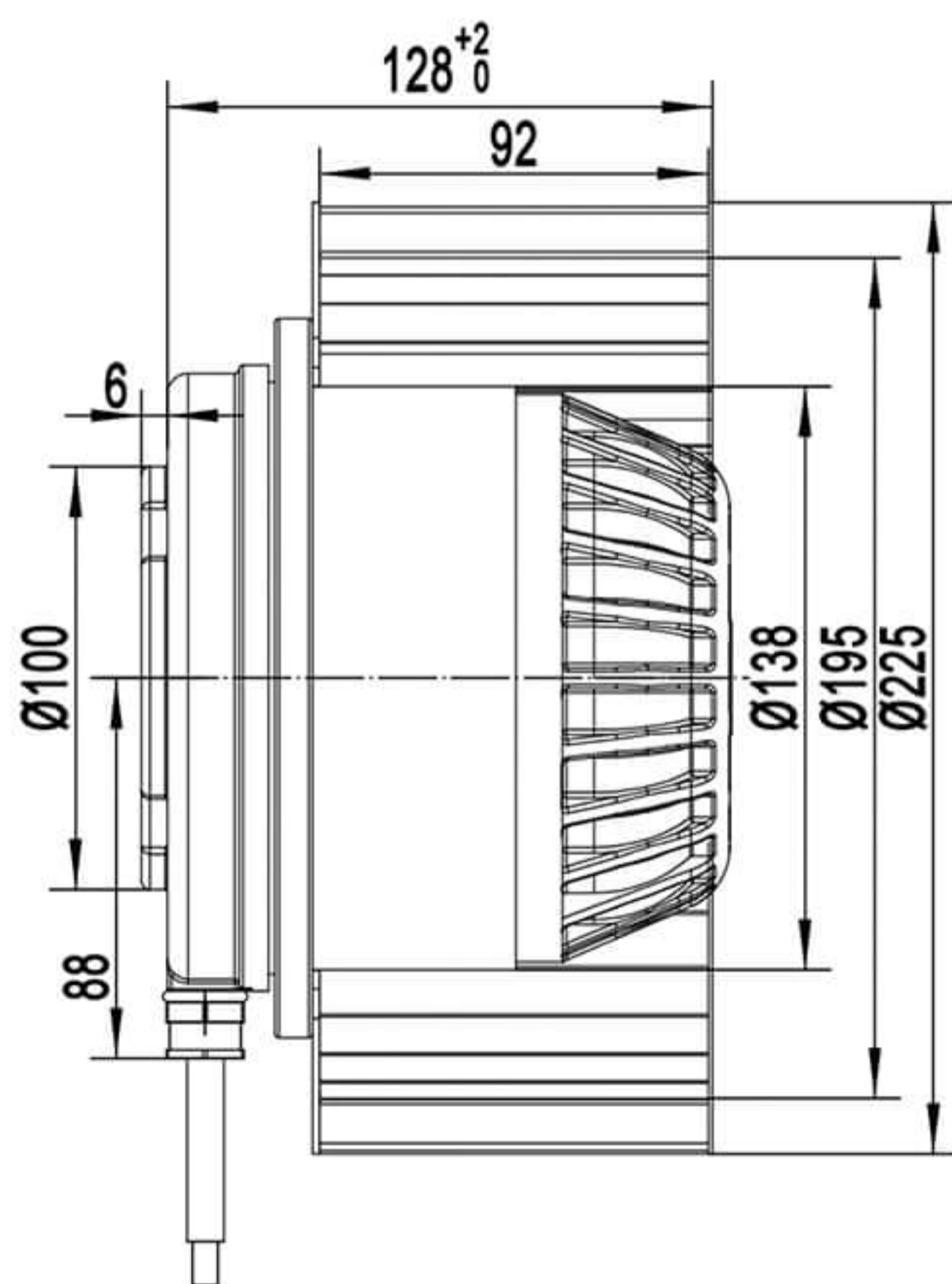


	Voltage V	Frequency Hz	Current A	Input Power W	Speed rpm	Capacitor µF	Air Flow m ³ /h / CFM	Noise dB(A)	Temperature Min / Max(°C)	Curve No. #	Approvals
BMF 200-052A-AE00	220~230	50	0.55	120	1300	3/500	540 / 315	58	-30 / +60	①	CCC,CE,RoHS

225-092A Forward Centrifugal Fan

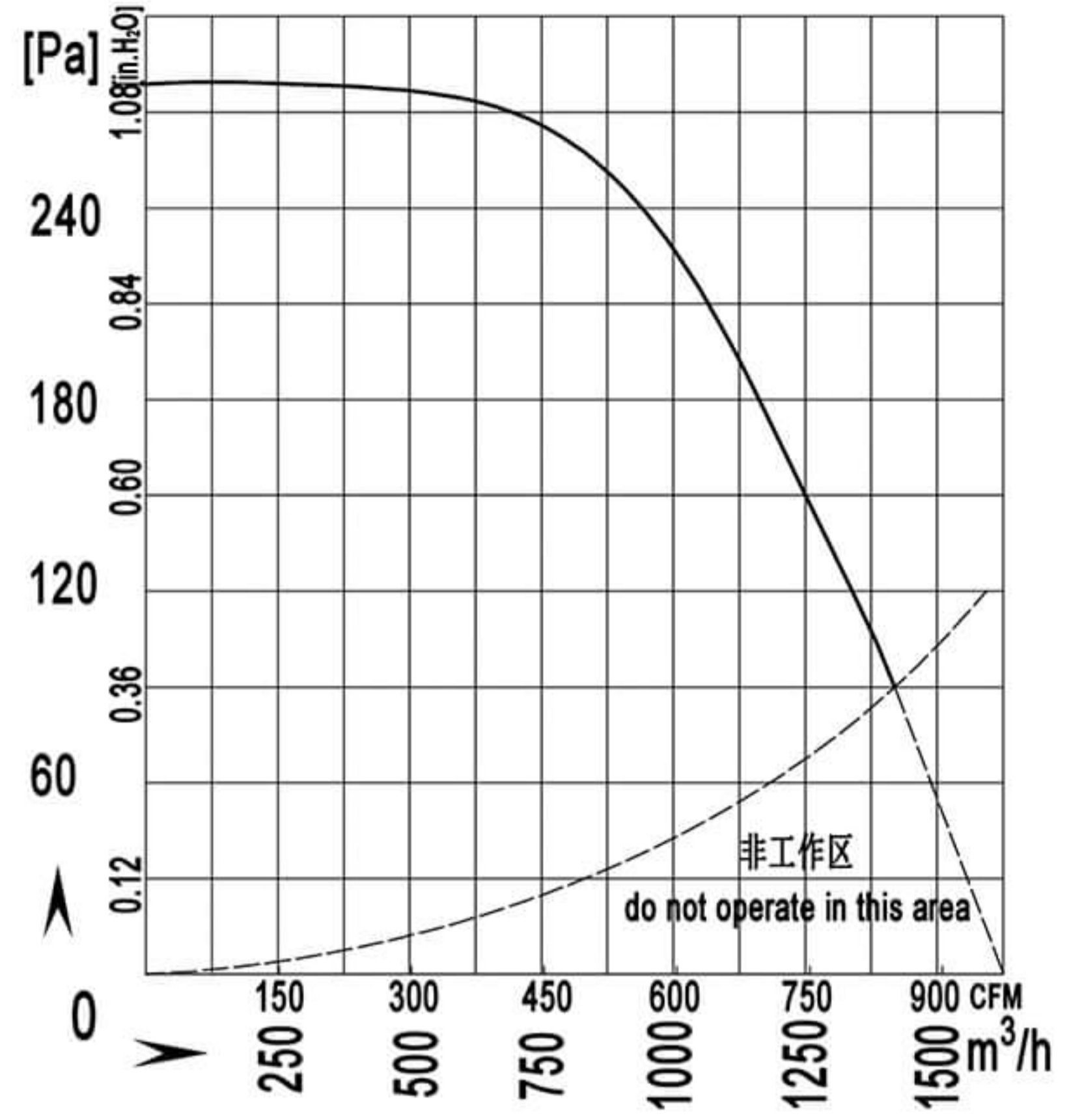


material: Galvanised sheet steel
 Protection Class: IP54
 Approvals: CCC CE
 Insulation class: F

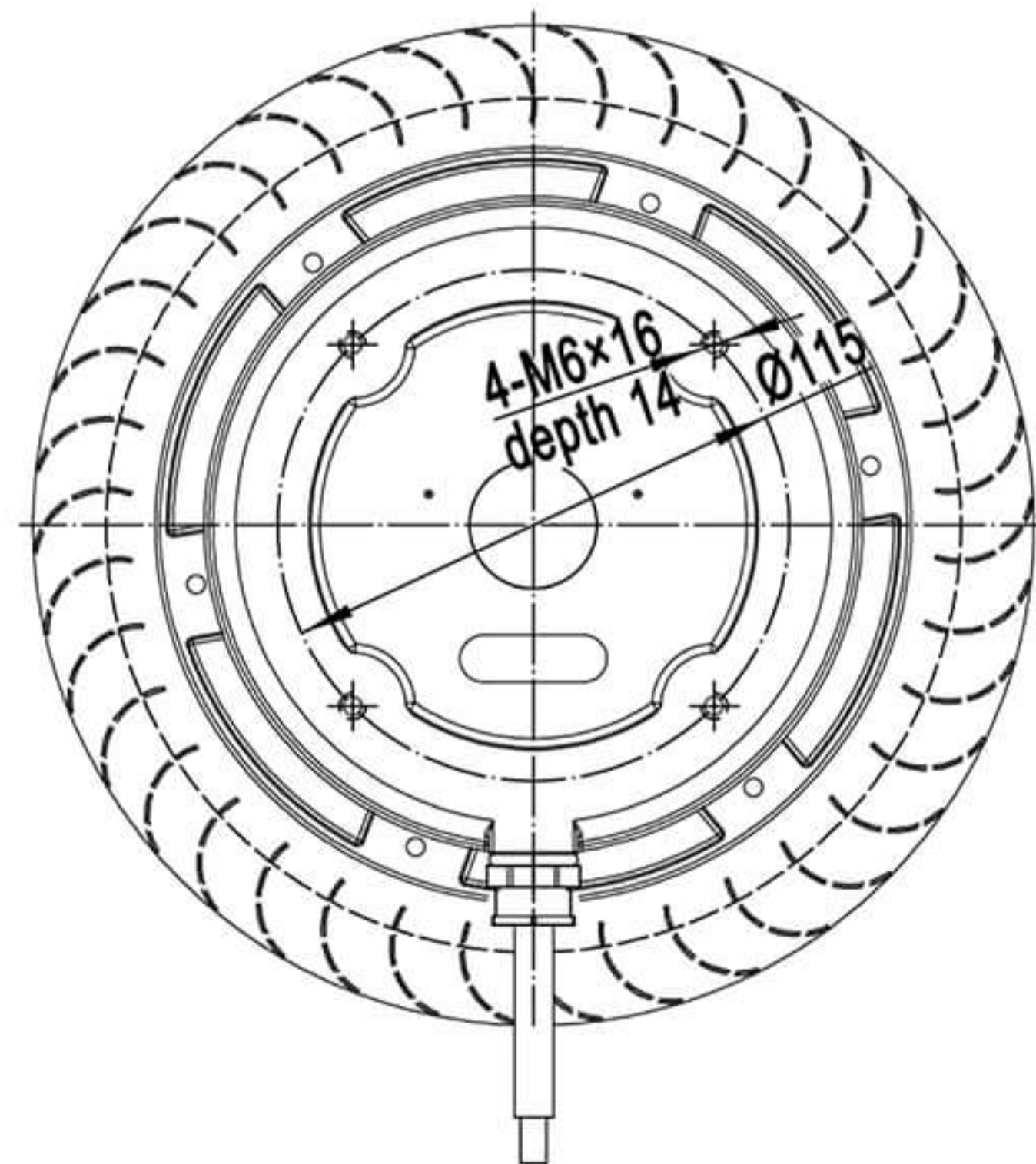
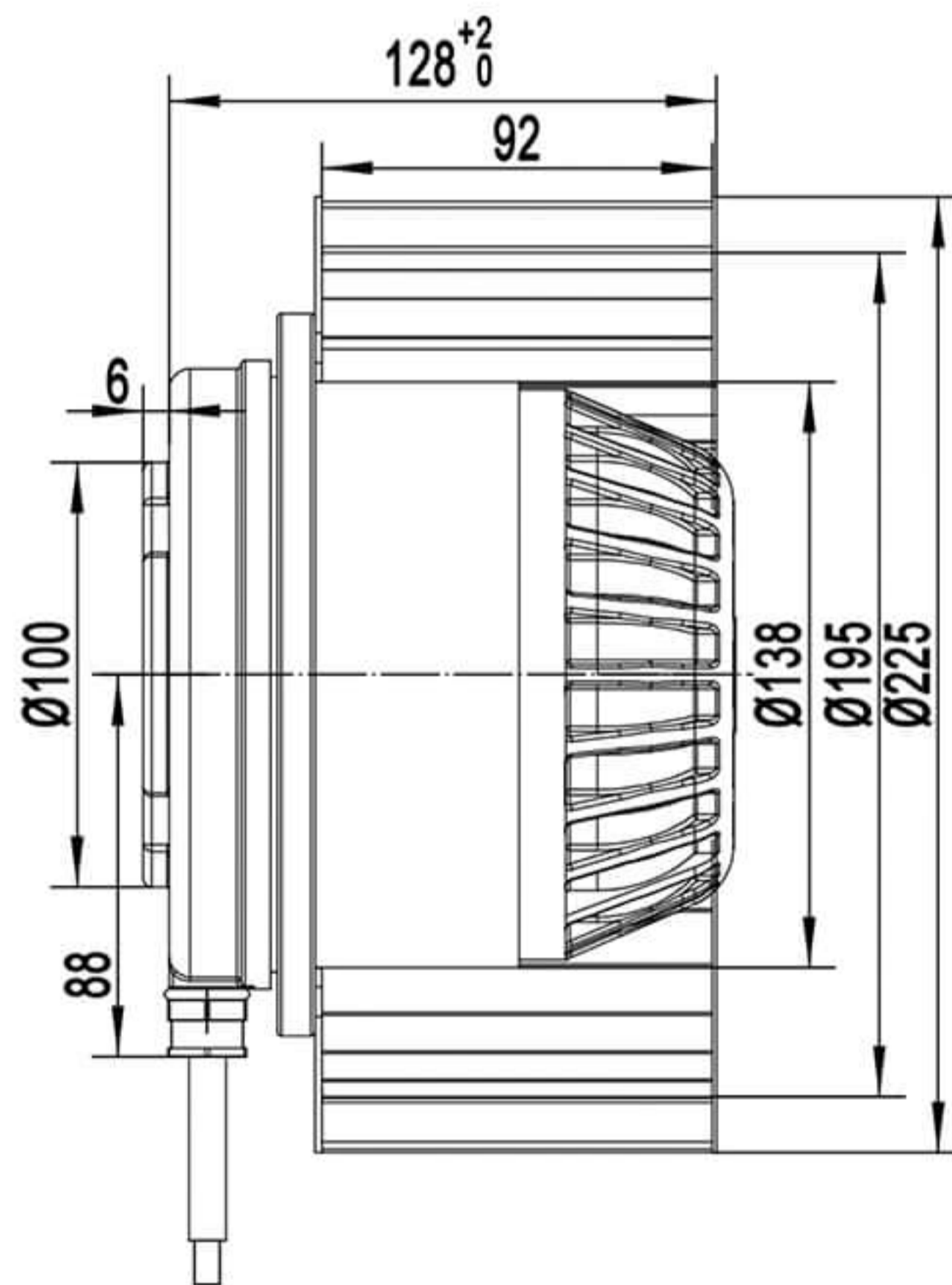


	Voltage V	Frequency Hz	Current A	Input Power W	Speed rpm	Capacitor µF	Air Flow m3/h / CFM	Noise dB(A)	Temperature Min / Max(°C)	Curve No. #	Approvals
BMF 225-092A-AR00	220/230	50	1.8	400	1340	10	1400/823	73	-30 / +60	①	CCC ,CE,RoHS
BMF 225-092A-AR00	380/400	50	0.9	400	1340	/	1400/823	73	-30 / +60	①	CCC ,CE,RoHS

225-092A Forward Centrifugal Fan

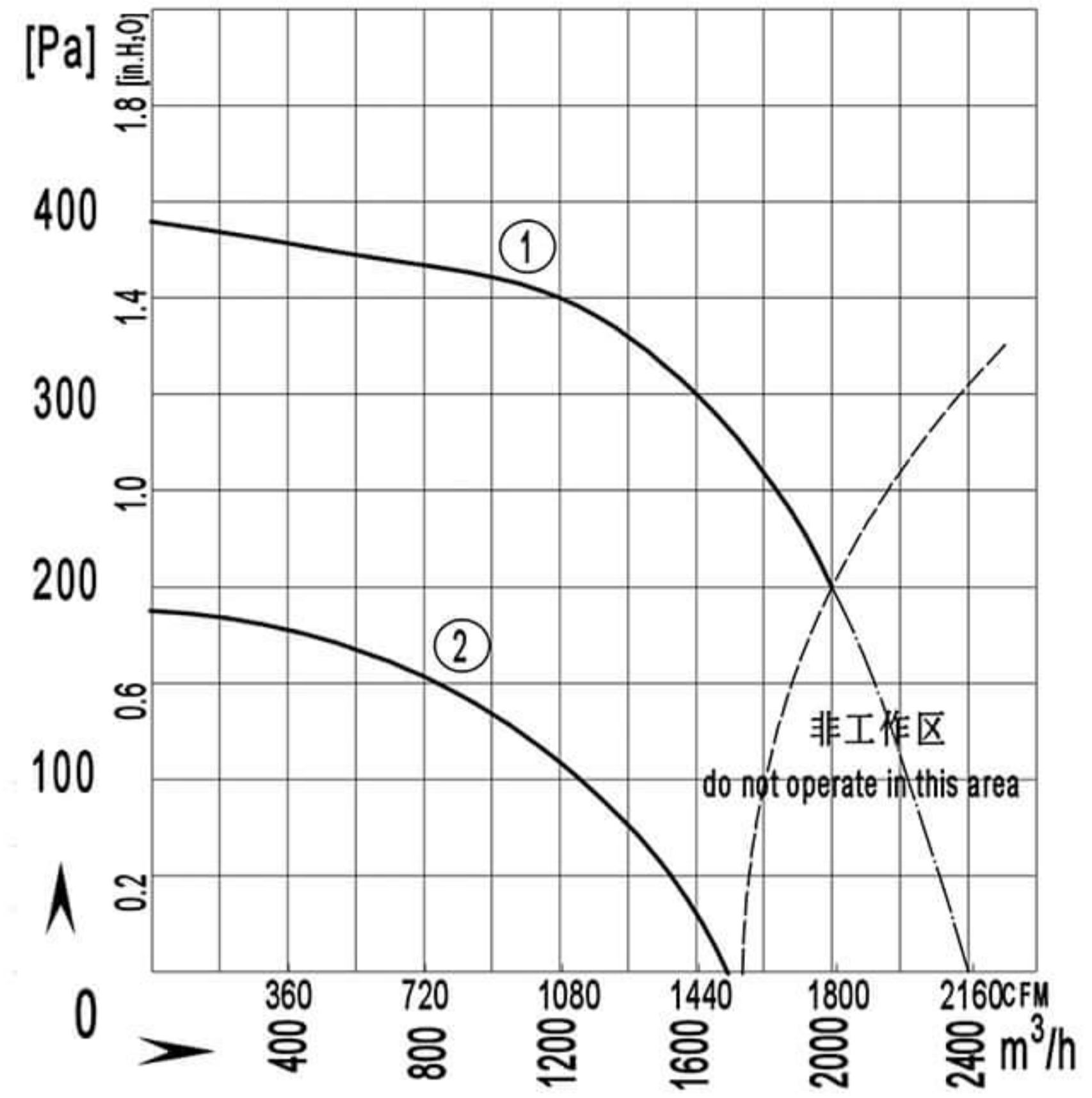


material: Galvanised sheet steel
 Protection Class: IP54
 Approvals: CCC CE
 Insulation class: F

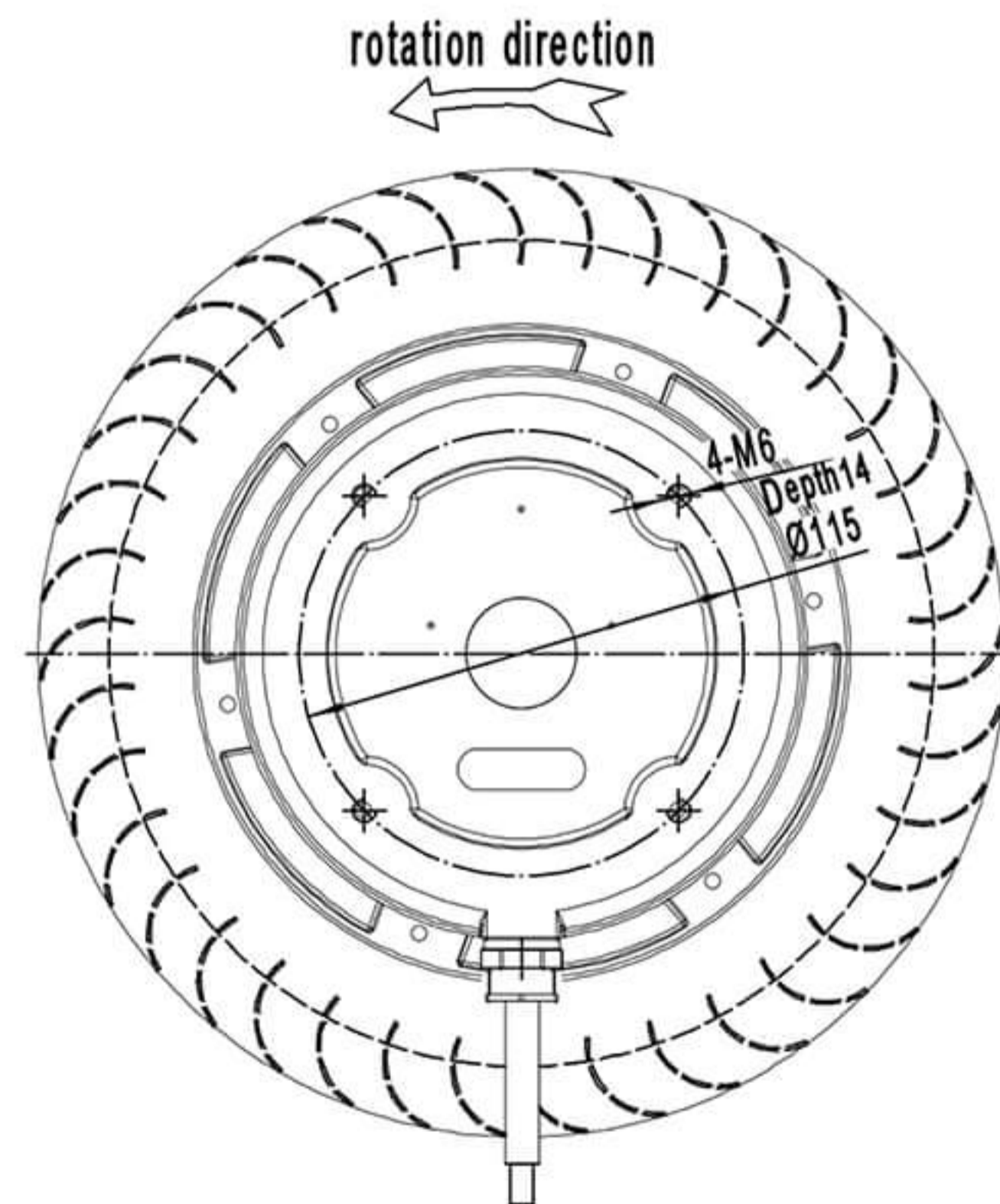
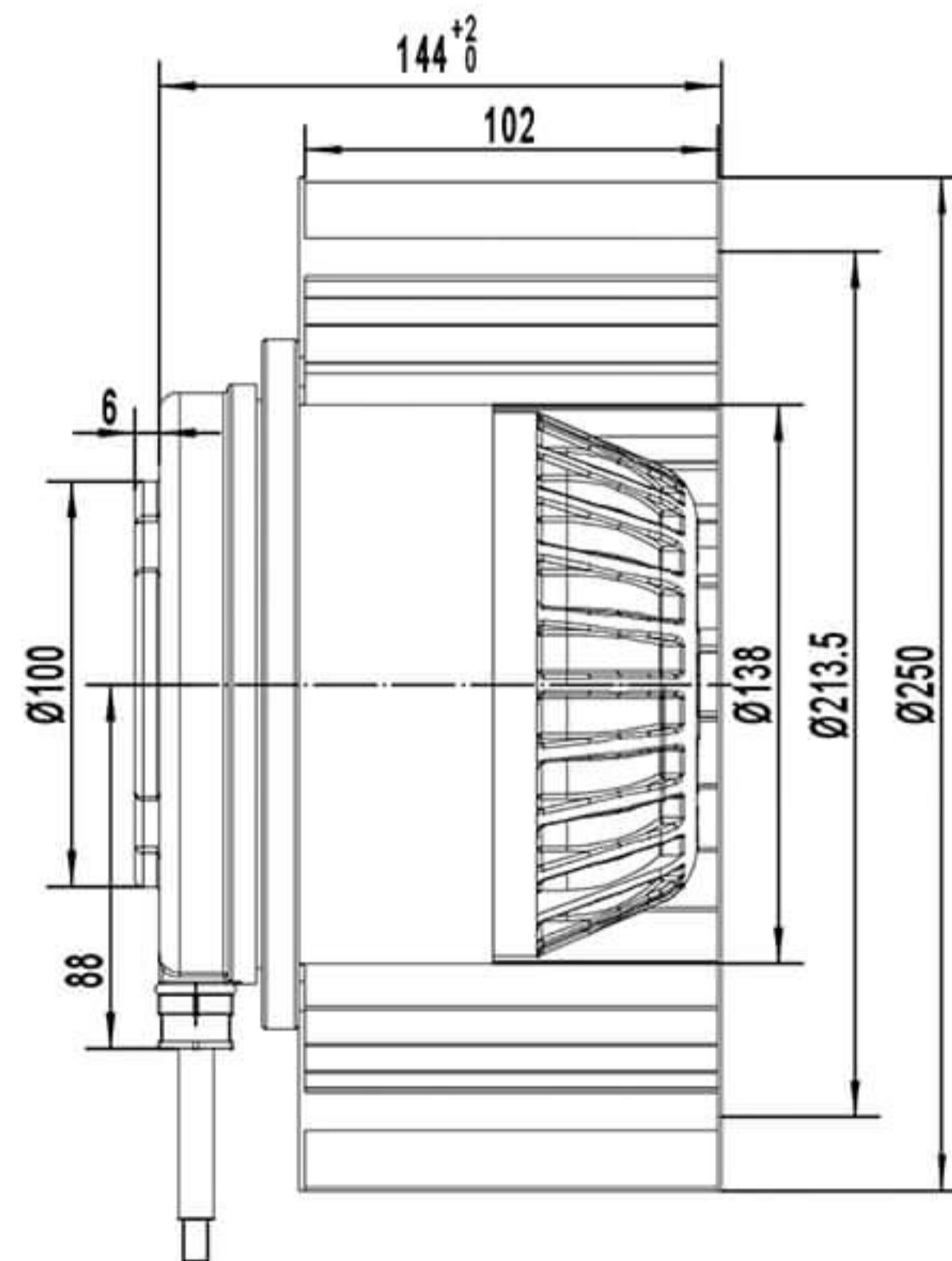


	Voltage V	Frequency Hz	Current A	Input Power W	Speed rpm	Capacitor µF	Air Flow m3/h / CFM	Noise dB(A)	Temperature Min / Max(°C)	Curve No. #	Approvals
BMF 225-092A-AR00	220/230	50	1.8	400	1340	10	1400/823	73	-30 / +60	①	CCC ,CE,RoHS
BMF 225-092A-AR00	380/400	50	0.9	400	1340	/	1400/823	73	-30 / +60	①	CCC ,CE,RoHS

250-102A Forward Centrifugal Fan

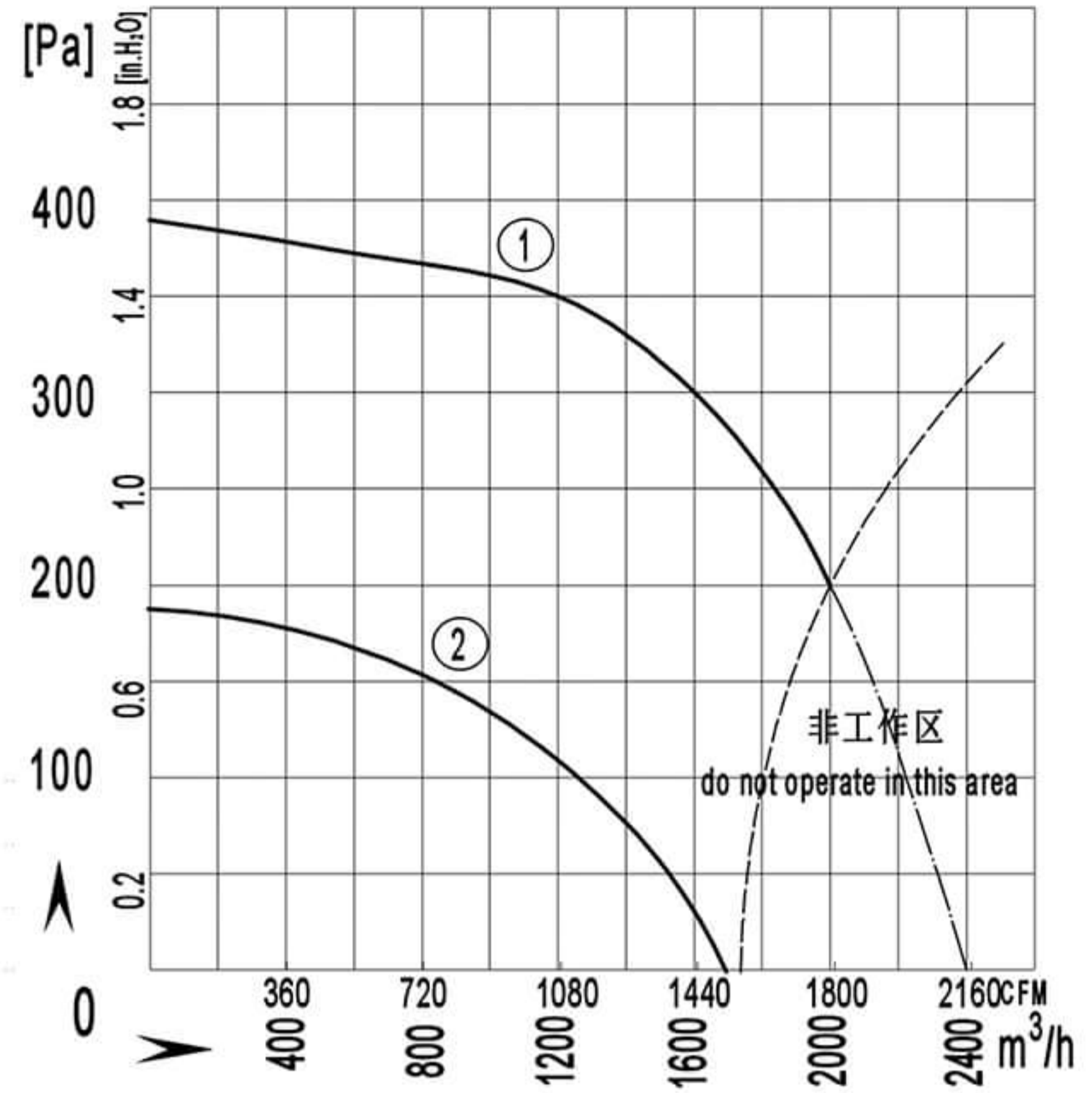


material: Galvanised sheet steel
 Protection Class: IP54
 Approvals: CCC CE
 Insulation class: F

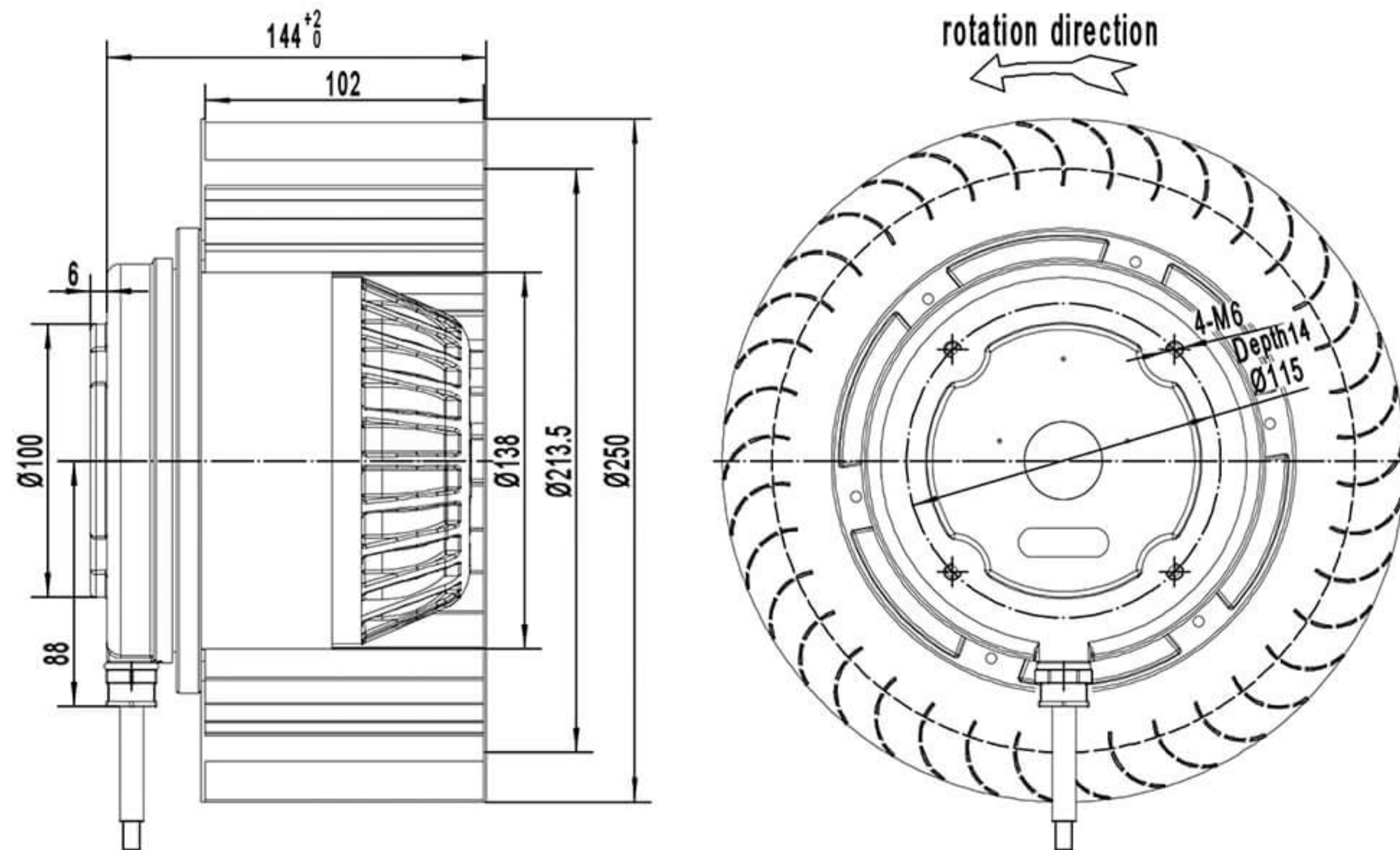


	Voltage V	Frequency Hz	Current A	Input Power W	Speed rpm	Capacitor µF	Air Flow m³/h / CFM	Noise dB(A)	Temperature Min / Max(°C)	Curve No. #	Approvals
BMF 250-102A-AS00	220/230	50	3.0	630	1300	12	2400 / 1411	74	-30 / +60	①	CCC CE RoHS

250-102A Forward Centrifugal Fan

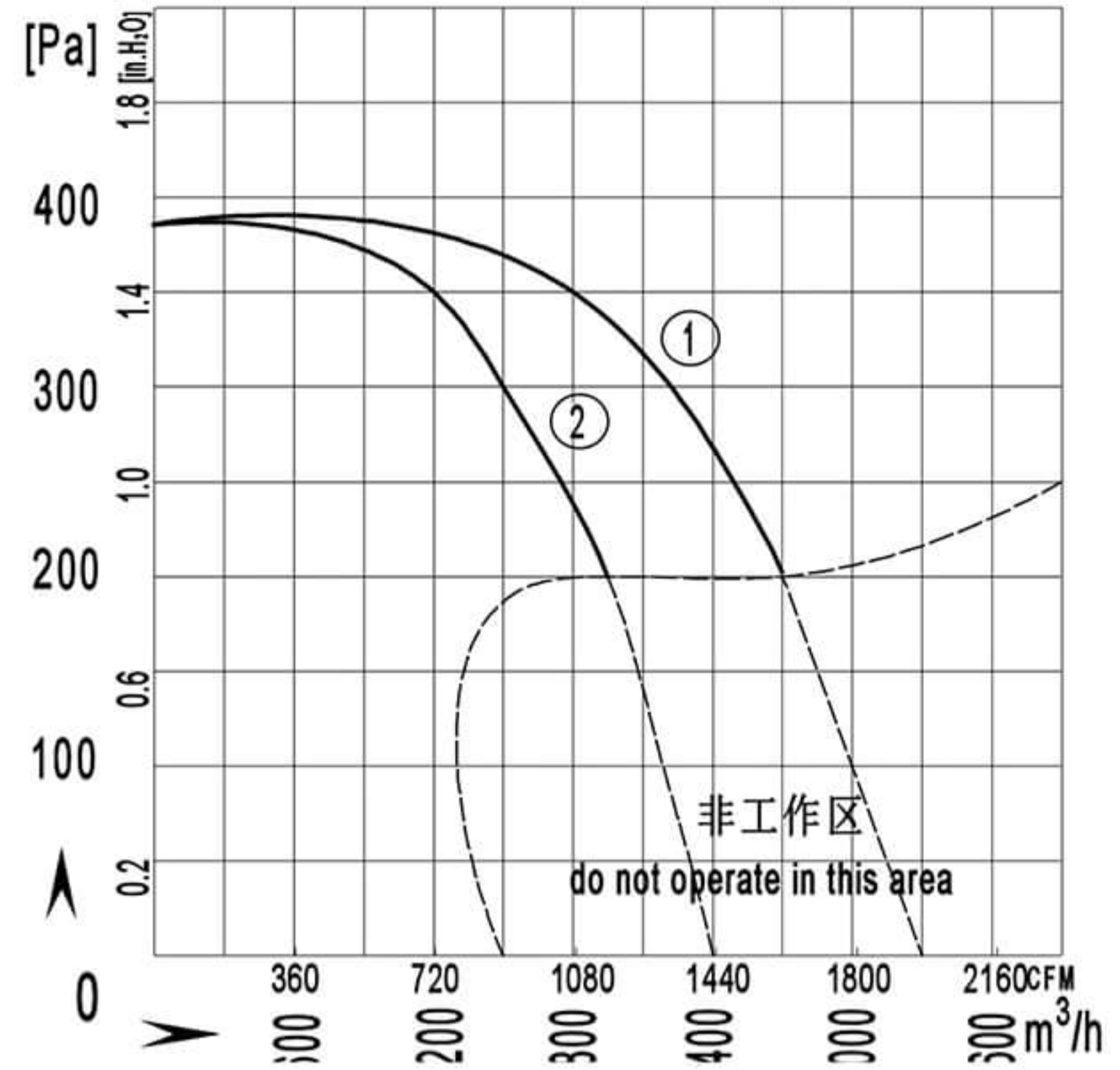


material: Galvanised sheet steel
 Protection Class: IP54
 Approvals: CCC CE
 Insulation class: F

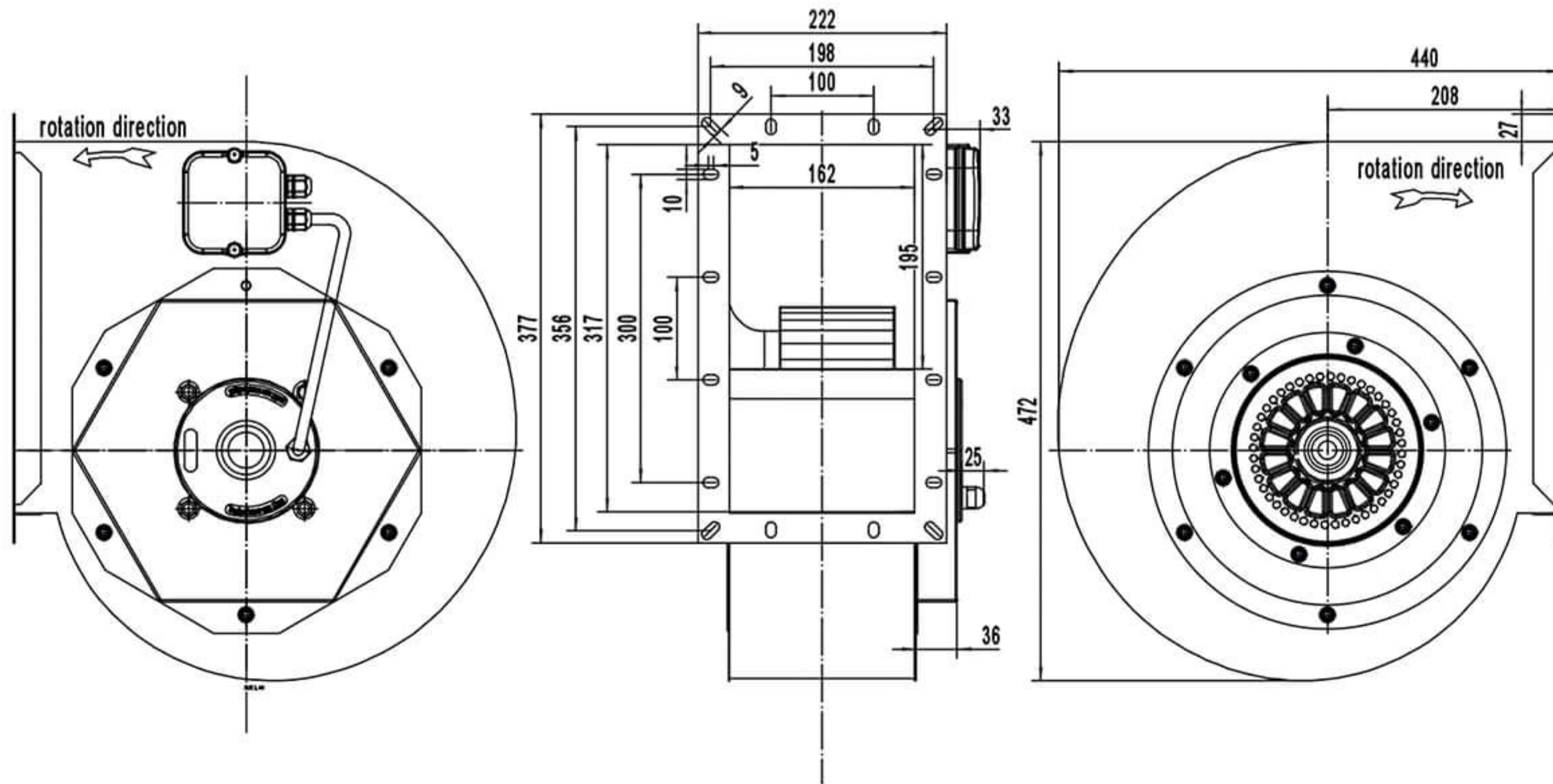


	Voltage V	Frequency Hz	Current A	Input Power W	Speed rpm	Capacitor µF	Air Flow m³/h / CFM	Noise dB(A)	Temperature Min / Max(°C)	Curve No. #	Approvals
BMF 250-102A-AS00	220/230	50	3.0	630	1300	12	2400/1411	74	-30 / +60	①	CCC ,CE,RoHS
BMF 250-102A-AS00	380/400	50	1.2	630	1300	/	2400/1411	74	-30 / +60	①	CCC ,CE,RoHS
BMF 250-102A-AS00	220/230	50	1.6	340	900	8	1650/970	67	-30 / +60	②	CCC ,CE,RoHS
BMF 250-102A-AS00	380/400	50	0.73	340	900	/	1650/970	67	-30 / +60	②	CCC ,CE,RoHS

250-102W Forward Centrifugal Fan

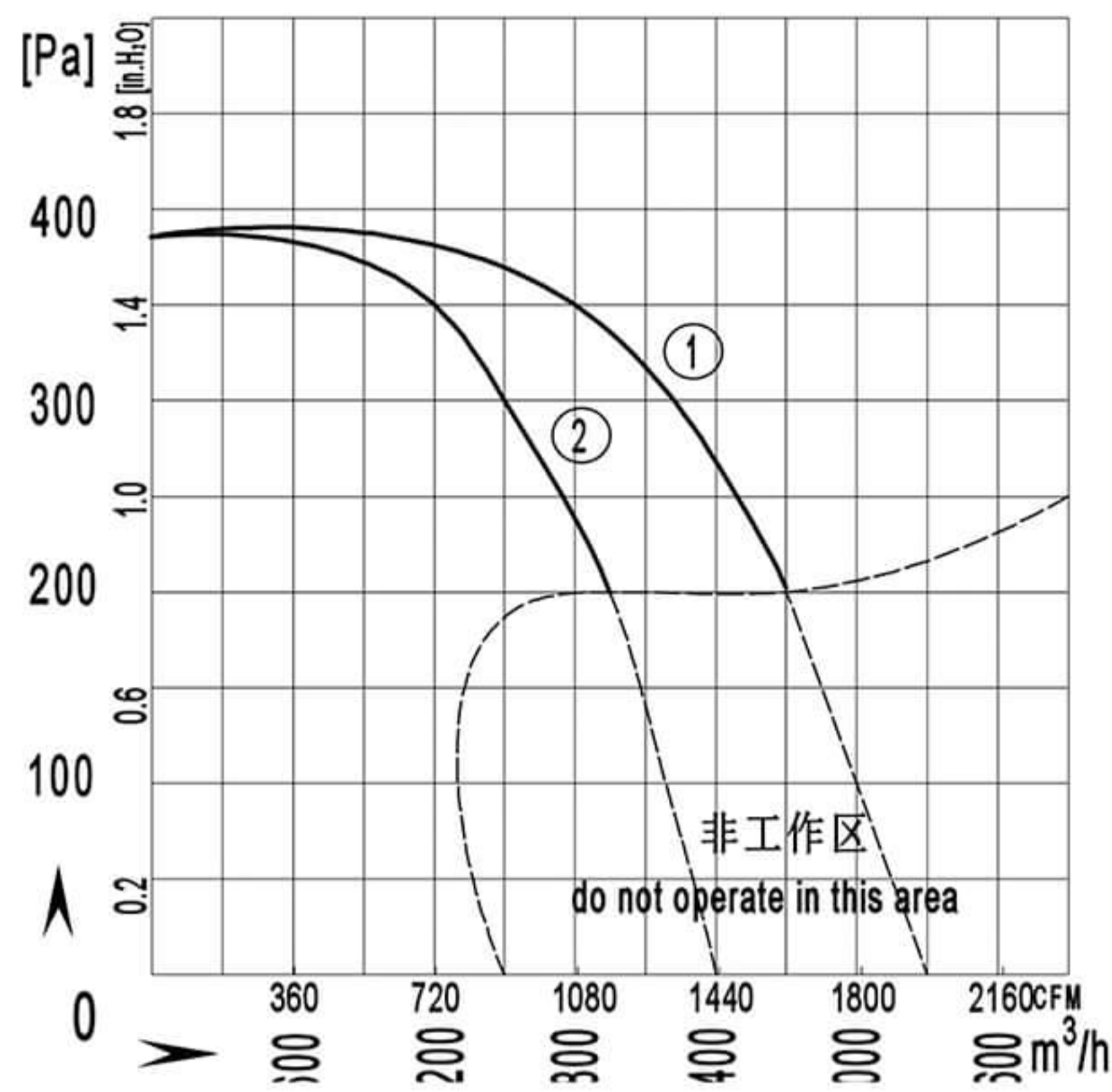


material: Galvanised sheet steel
 Protection Class: IP54
 Approvals: CCC CE
 Insulation class: F

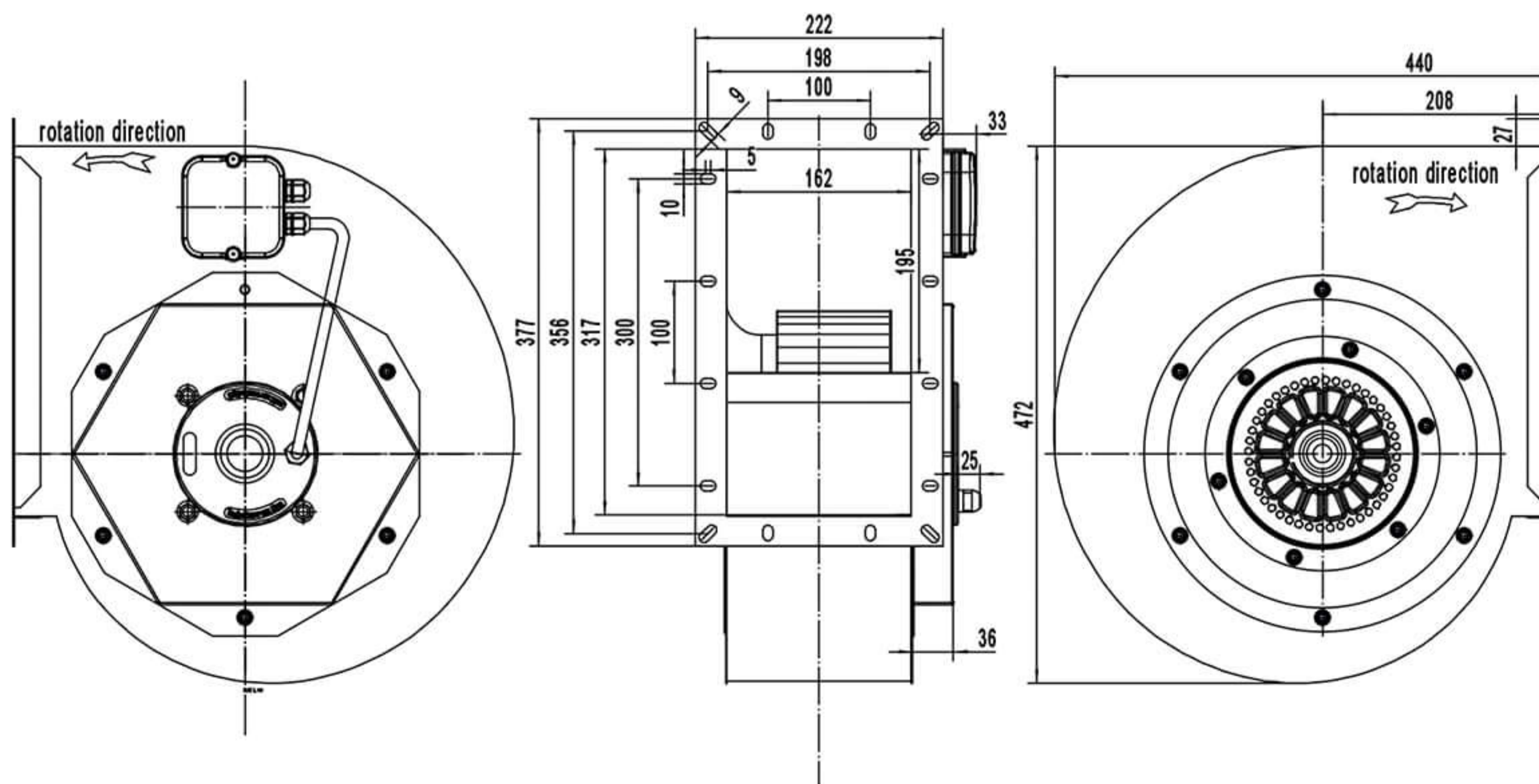


	Voltage V	Frequency Hz	Current A	Input Power W	Speed rpm	Capacitor µF	Air Flow m³/h / CFM	Noise dB(A)	Temperature Min / Max(°C)	Curve No. #	Approvals
BMF 250-102W-AT00	380/400	50	1.6	850	1350	/	3300/1941	80	-30 / +60	①	CCC ,CE,RoHS
BMF 250-102W-AS00	380/400	50	1.2	630	1300	/	2400/1411	74	-30 / +60	②	CCC ,CE,RoHS

250-102W Forward Centrifugal Fan

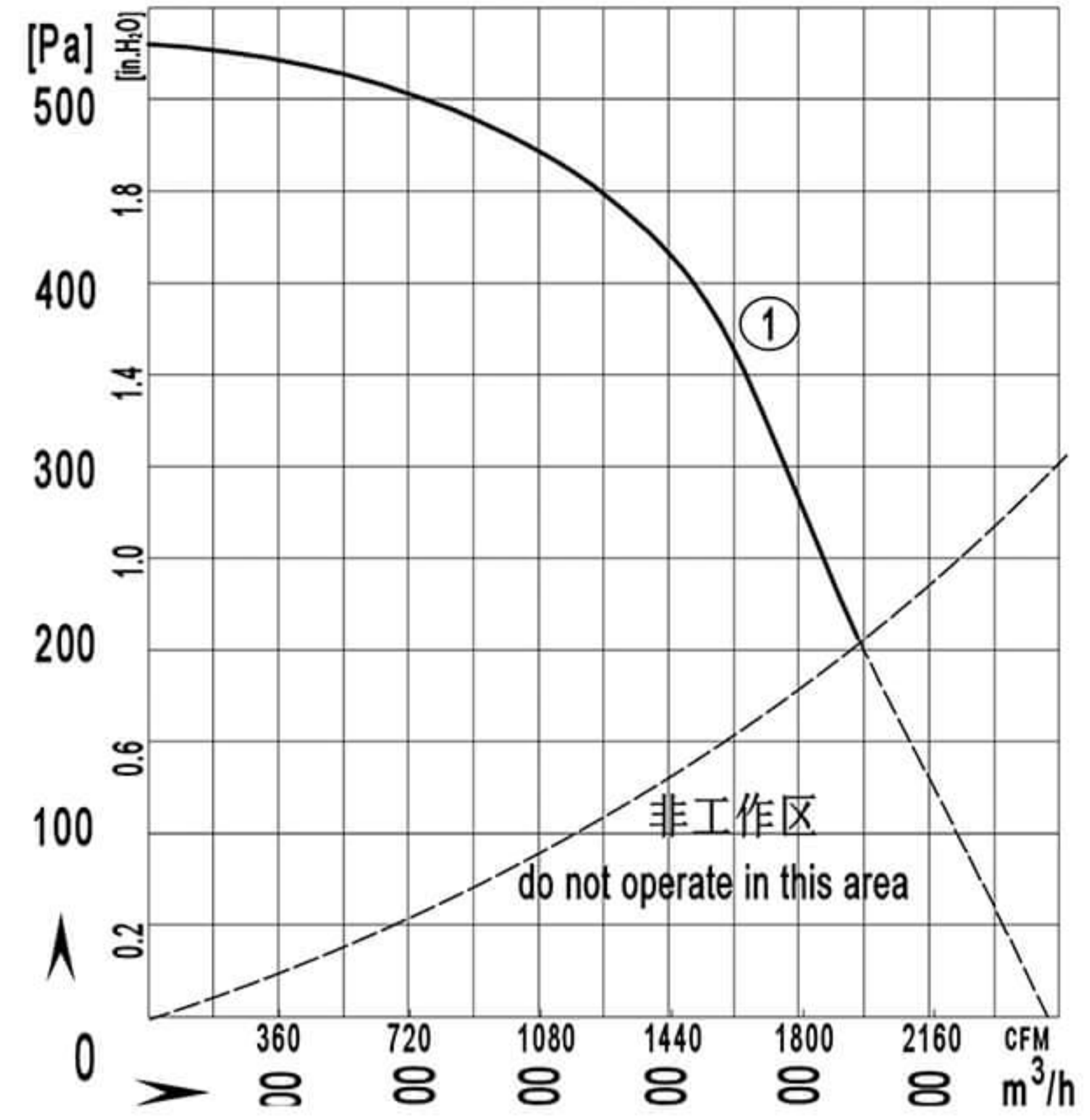


material: Galvanised sheet steel
 Protection Class: IP54
 Approvals: CCC CE
 Insulation class: F

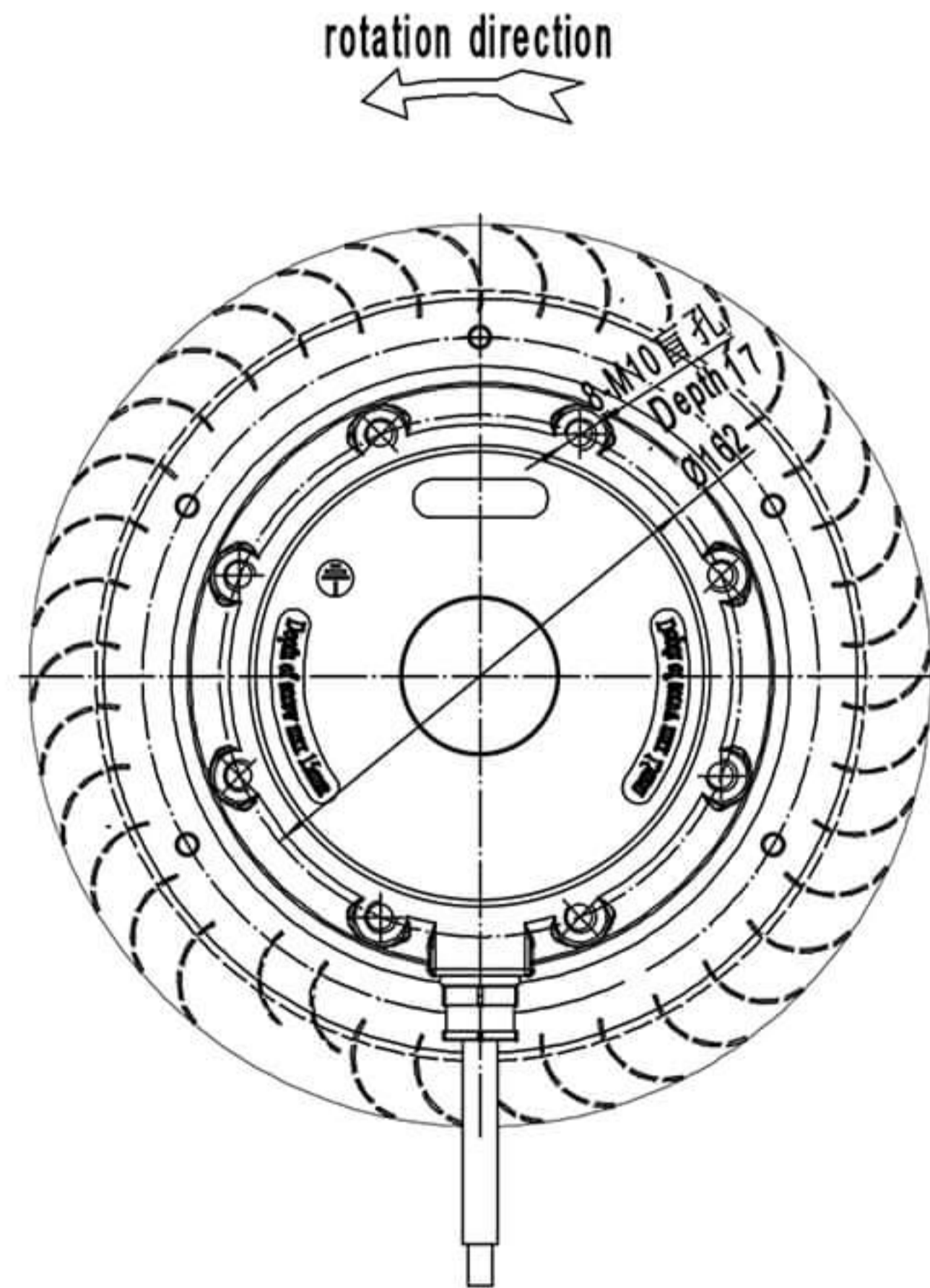
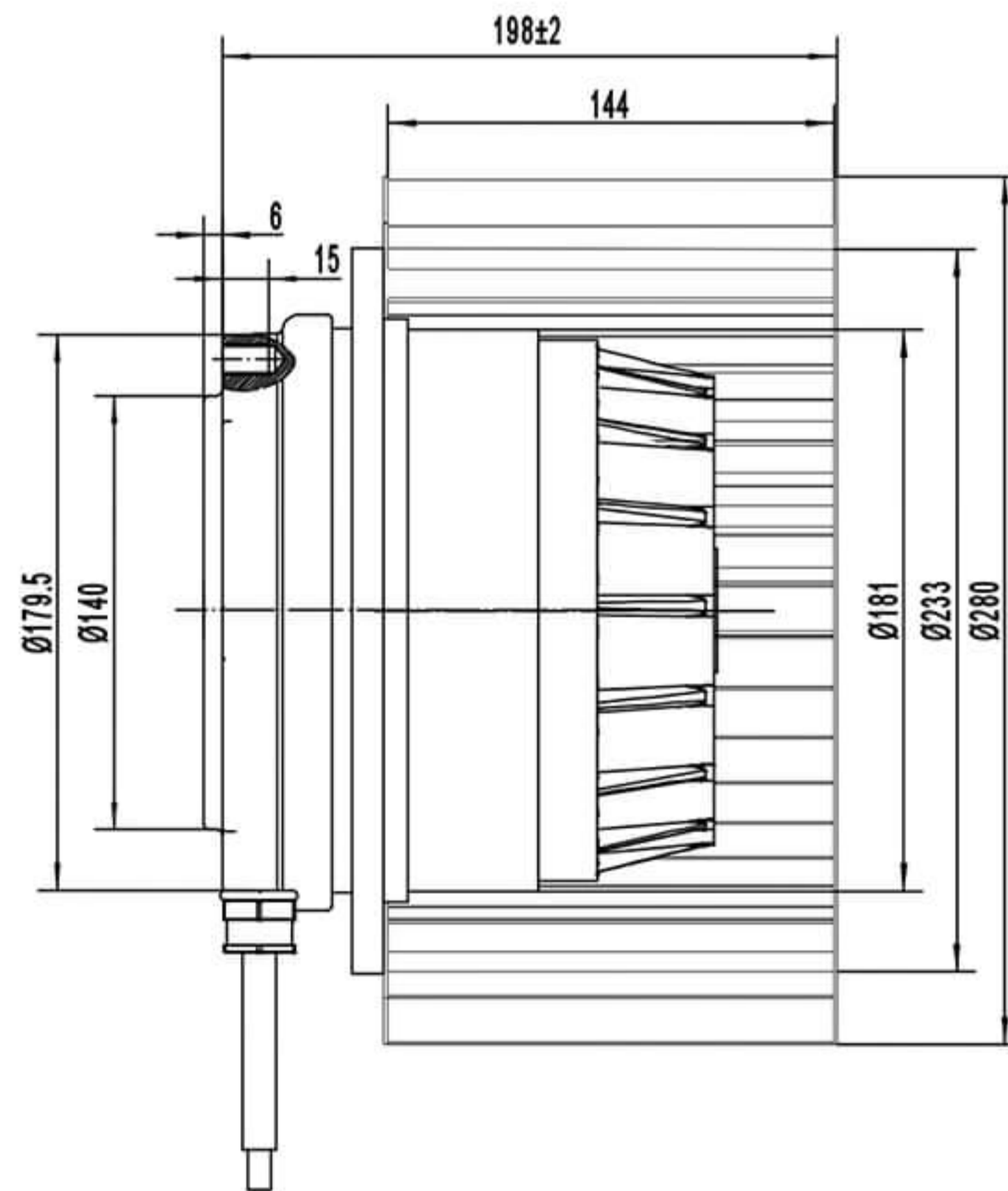


	Voltage V	Frequency Hz	Current A	Input Power W	Speed rpm	Capacitor µF	Air Flow m³/h / CFM	Noise dB(A)	Temperature Min / Max(°C)	Curve No. #	Approvals
BMF 250-102W-AT00	380/400	50	1.6	850	1350	/	3300/1941	80	-30 / +60	①	CCC ,CE,RoHS
BMF 250-102W-AS00	380/400	50	1.2	630	1300	/	2400/1411	74	-30 / +60	②	CCC ,CE,RoHS

280-144A Forward Centrifugal Fan

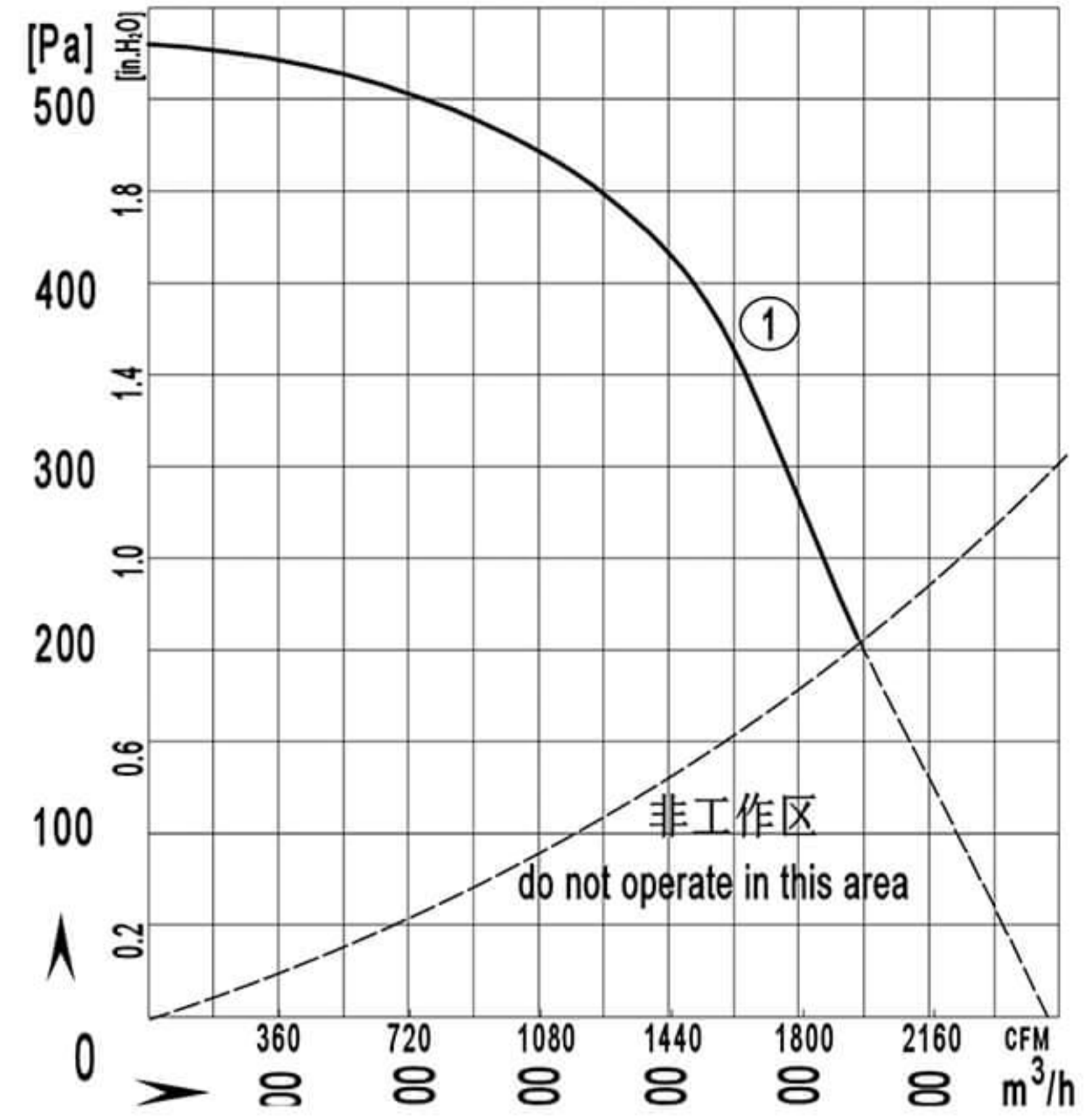


material: Galvanised sheet steel
 Protection Class: IP54
 Approvals: CCC CE
 Insulation class: F

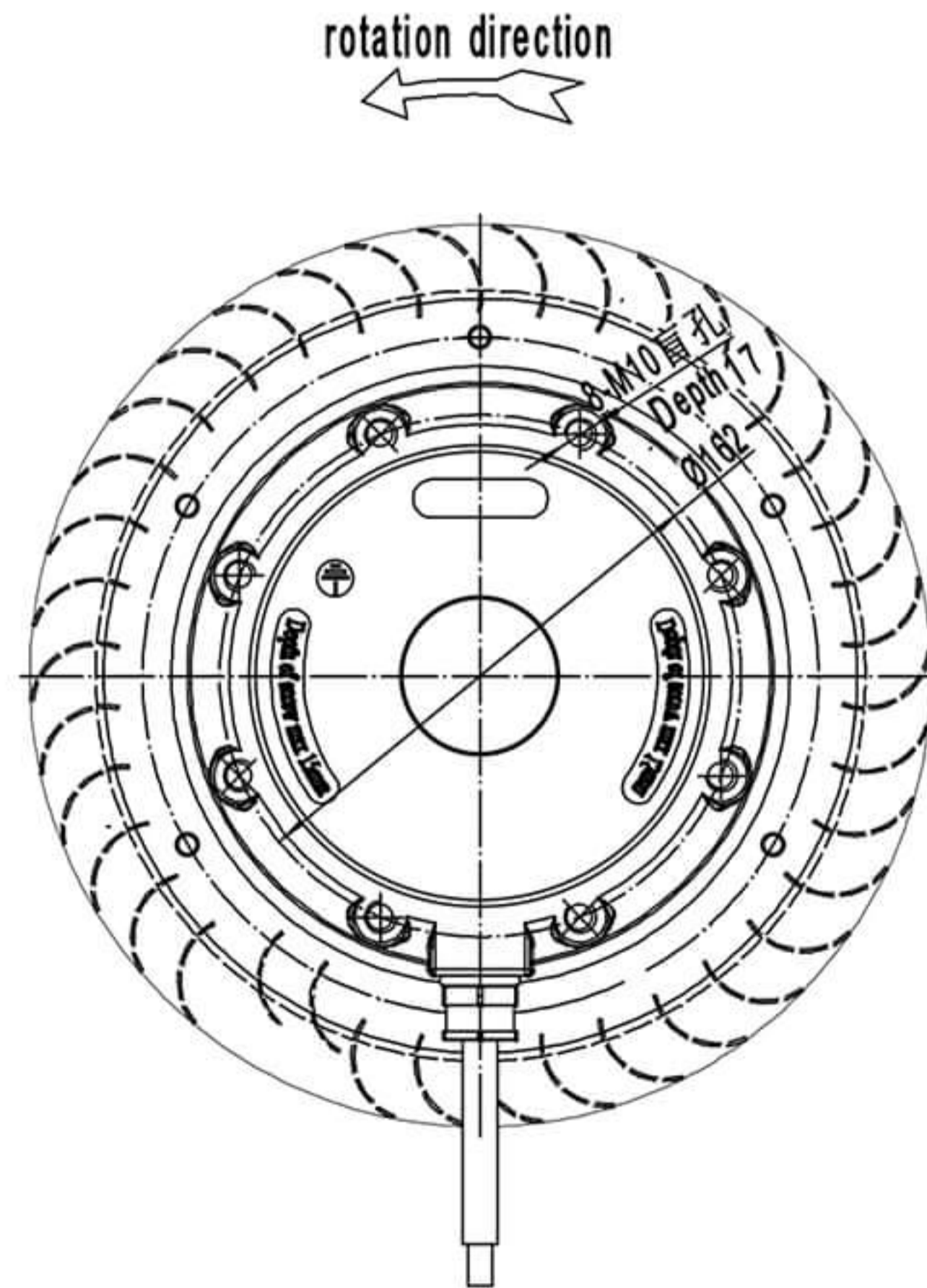
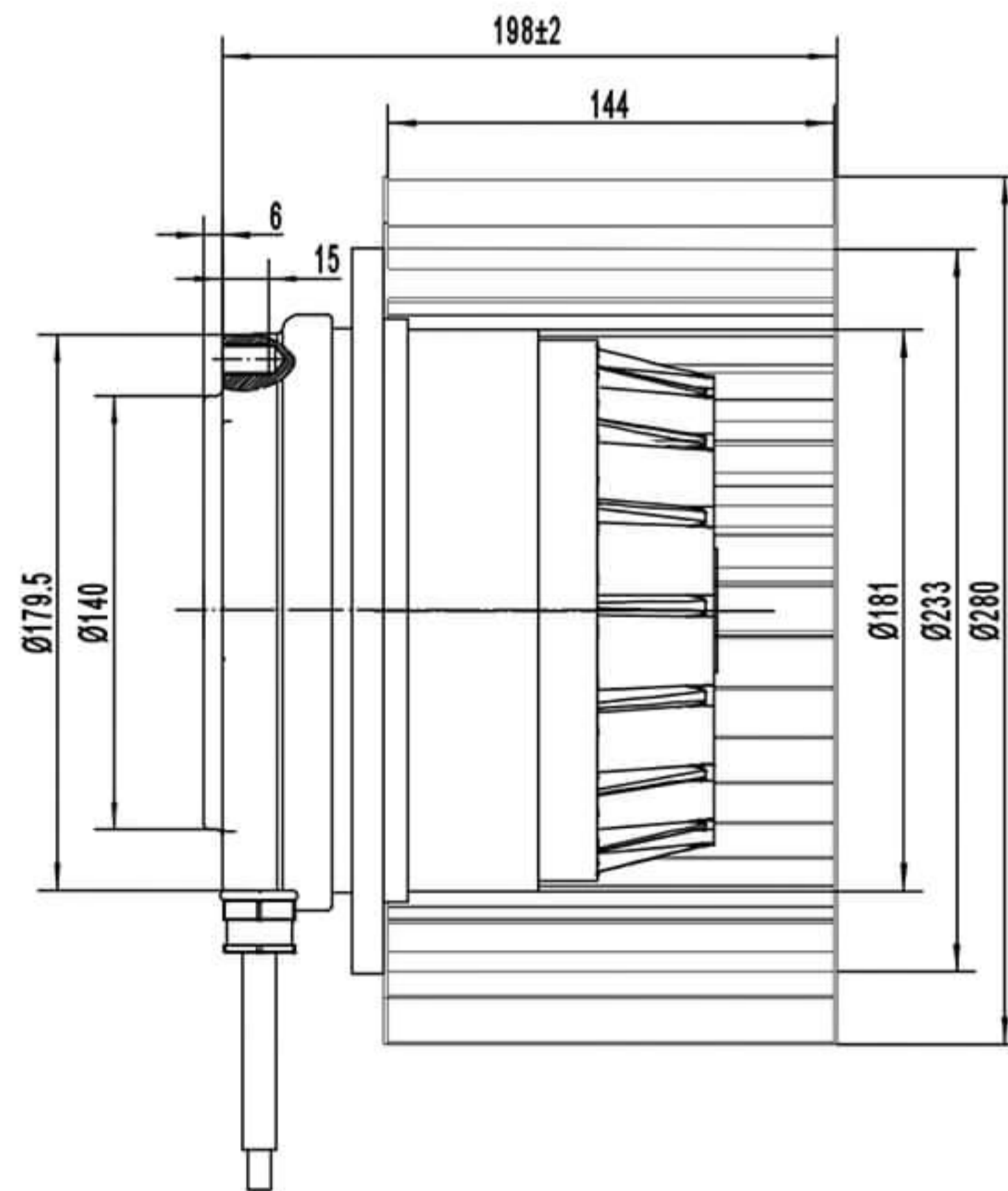


	Voltage V	Frequency Hz	Current A	Input Power W	Speed rpm	Capacitor µF	Air Flow m³/h / CFM	Noise dB(A)	Temperature Min / Max(°C)	Curve No. #	Approvals
BMF 280-144A-AV00	380/400	50	2.5	1400	1400	/	4100/2411	82	-30 / +60	①	CCC ,CE,RoHS

280-144A Forward Centrifugal Fan

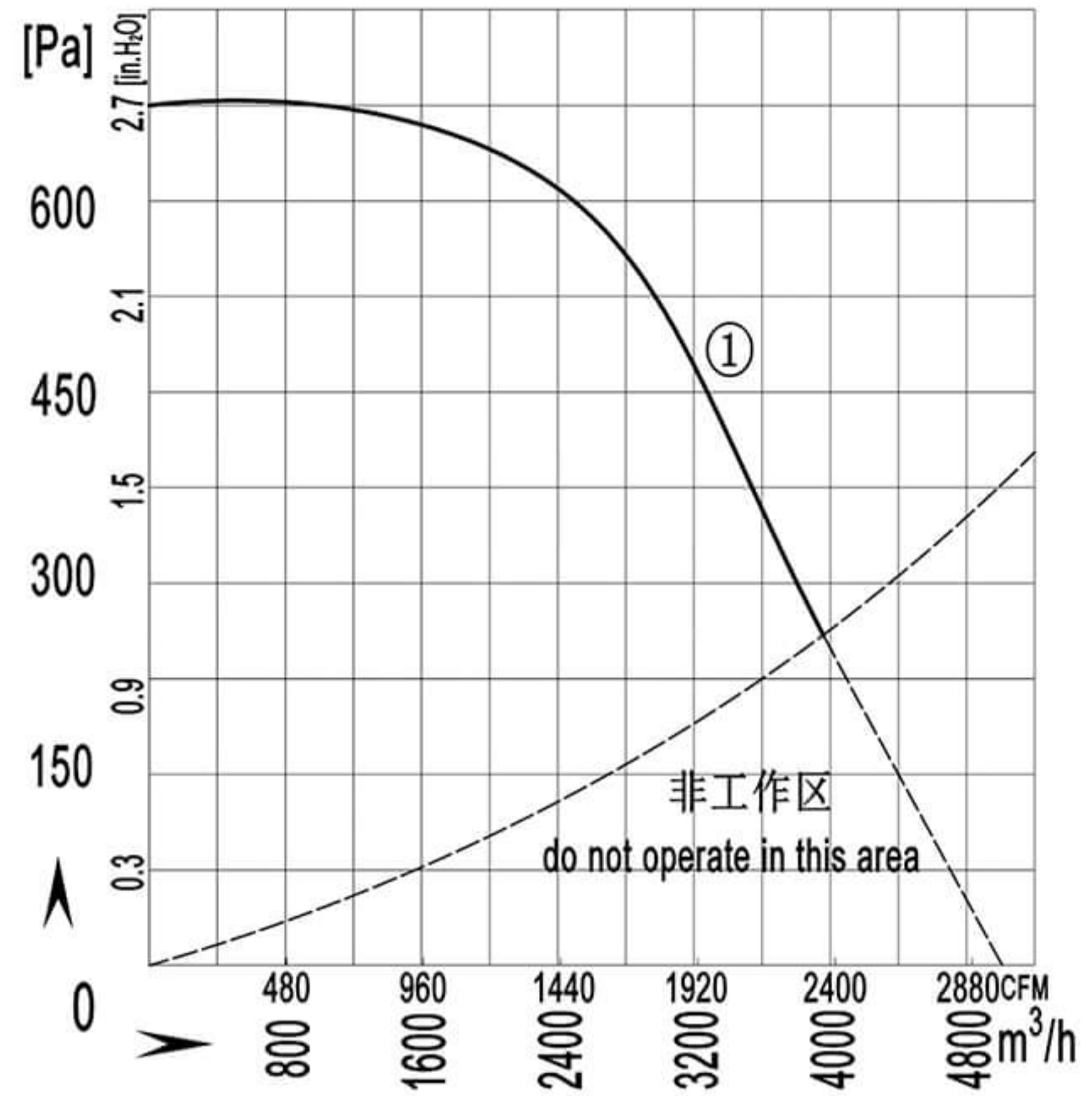


material: Galvanised sheet steel
 Protection Class: IP54
 Approvals: CCC CE
 Insulation class: F

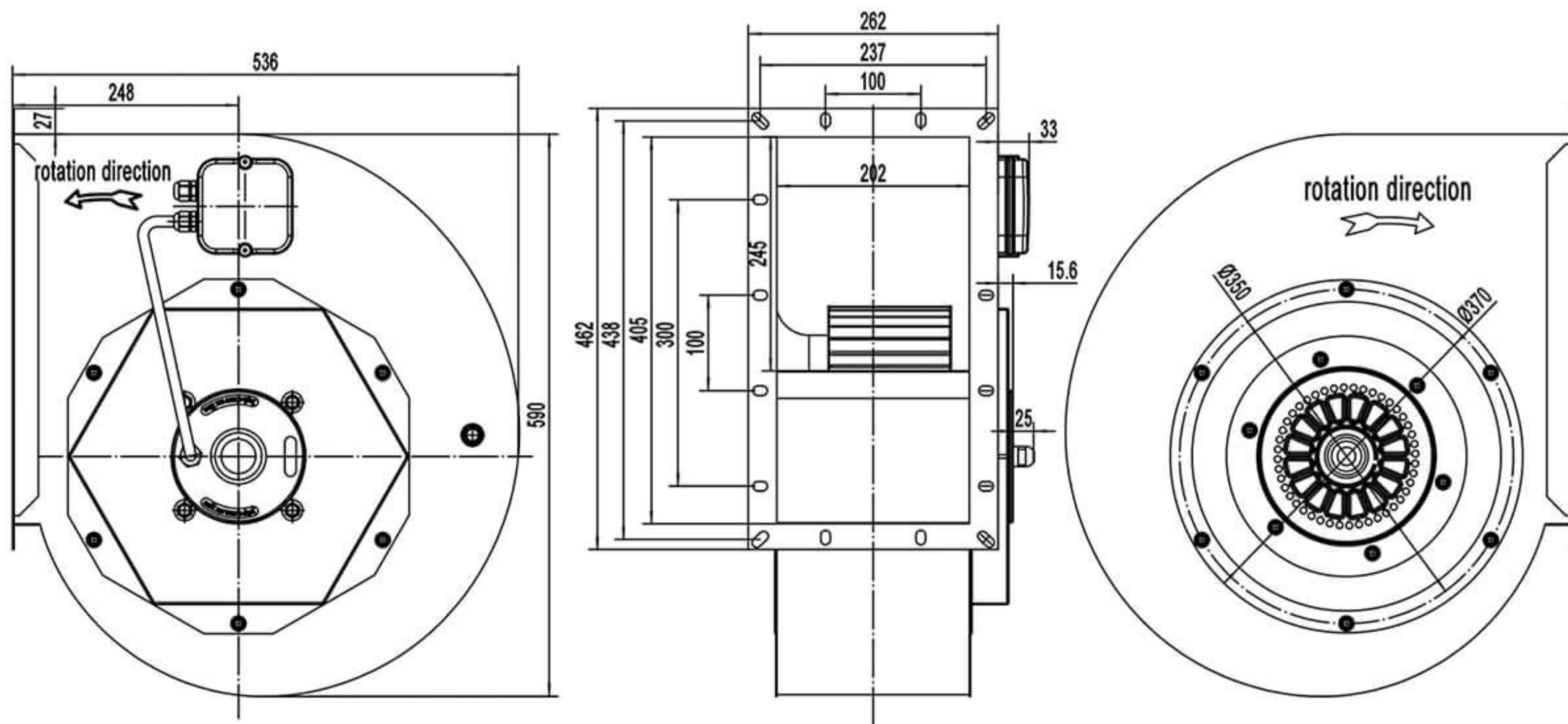


	Voltage V	Frequency Hz	Current A	Input Power W	Speed rpm	Capacitor µF	Air Flow m3/h / CFM	Noise dB(A)	Temperature Min / Max(°C)	Curve No. #	Approvals
BMF 280-144A-AV00	380/400	50	2.5	1400	1400	/	4100/2411	82	-30 / +60	①	CCC ,CE,RoHS

315-150W Forward Centrifugal Fan

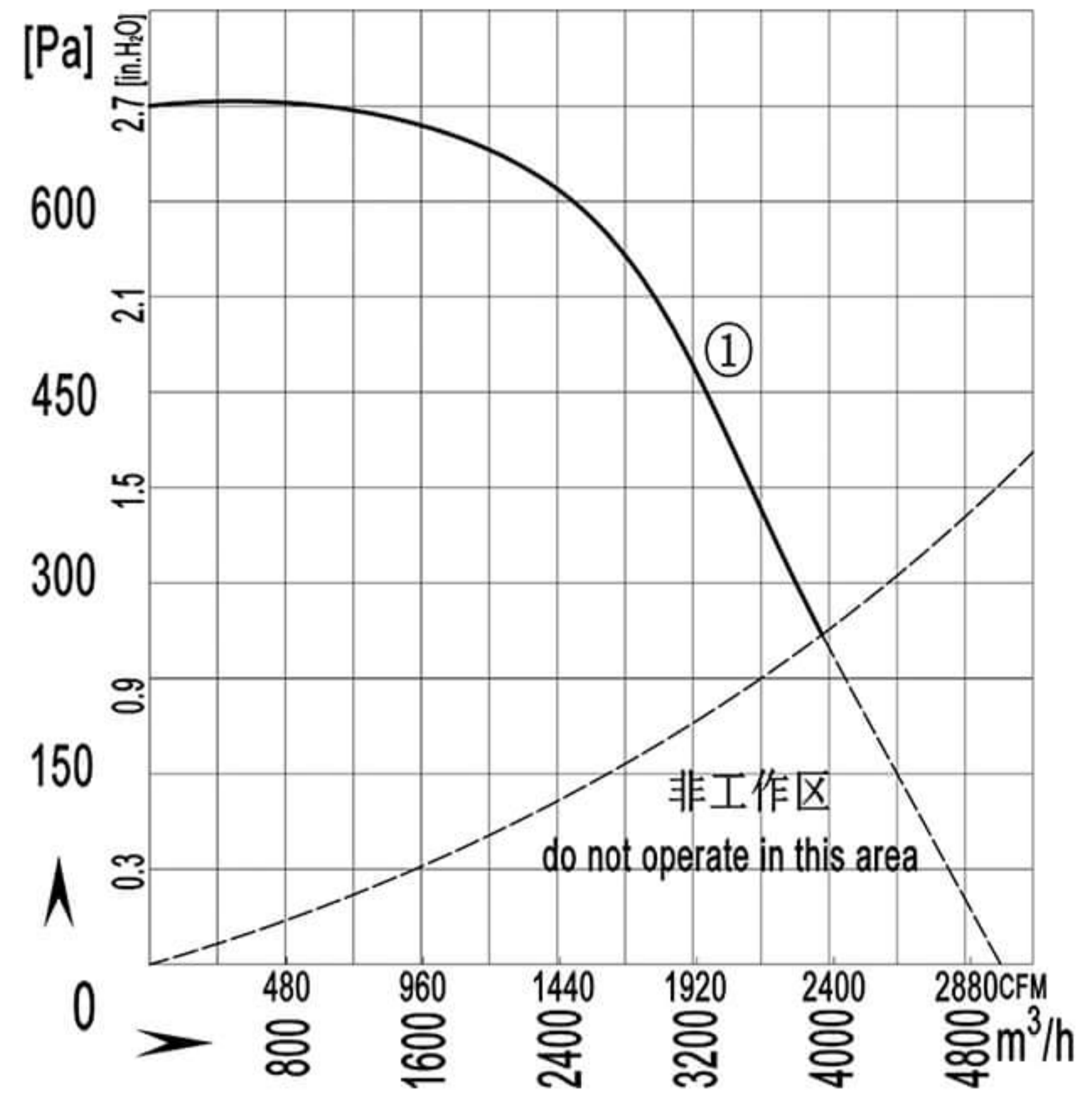


material: Galvanised sheet steel
 Protection Class: IP54
 Approvals: CCC CE
 Insulation class: F

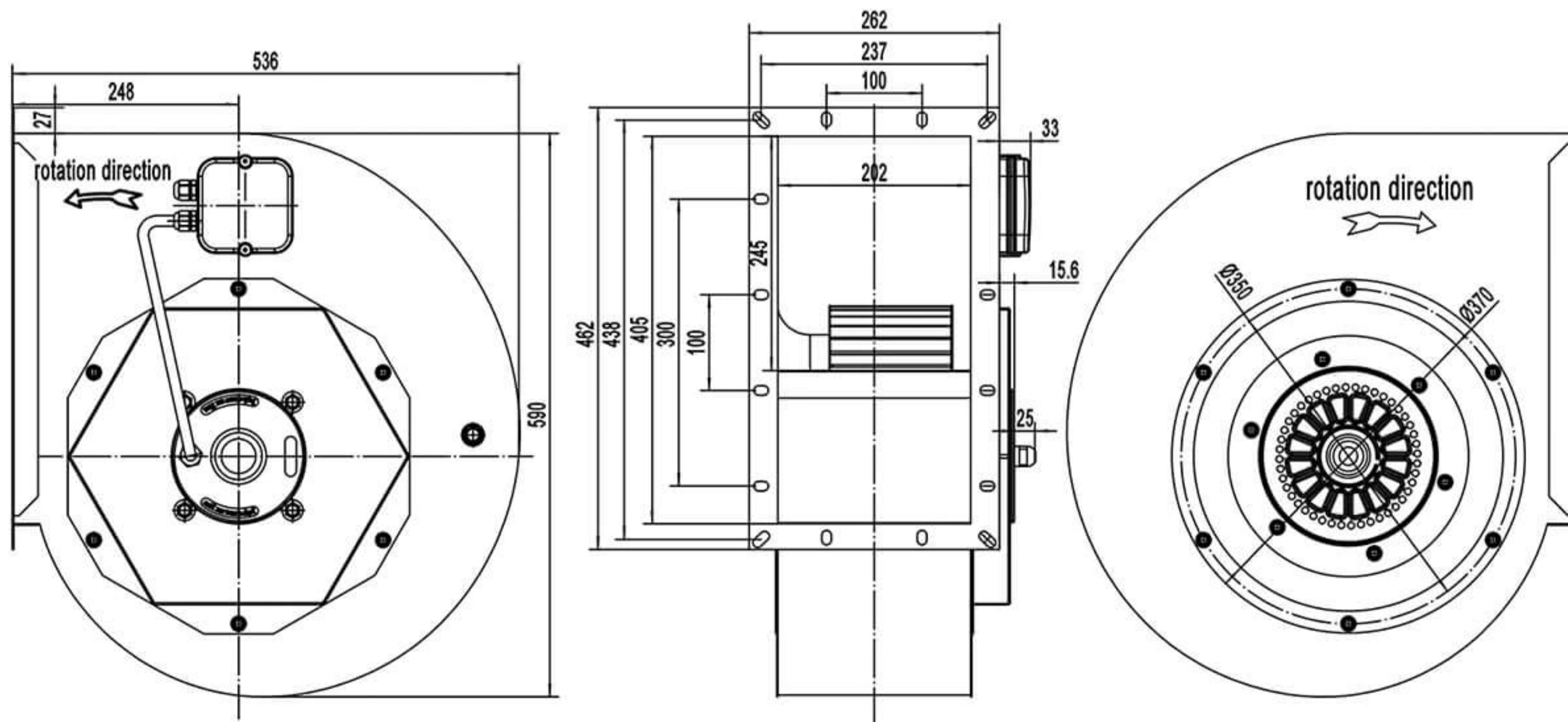


	Voltage V	Frequency Hz	Current A	Input Power W	Speed rpm	Capacitor µF	Air Flow m³/h / CFM	Noise dB(A)	Temperature Min / Max(°C)	Curve No. #	Approvals
BMF 315-150W-AW00	380/400	50	3.7	2200	1350	/	5000/2941	85	-30 / +60	①	CCC ,CE,RoHS

315-150W Forward Centrifugal Fan

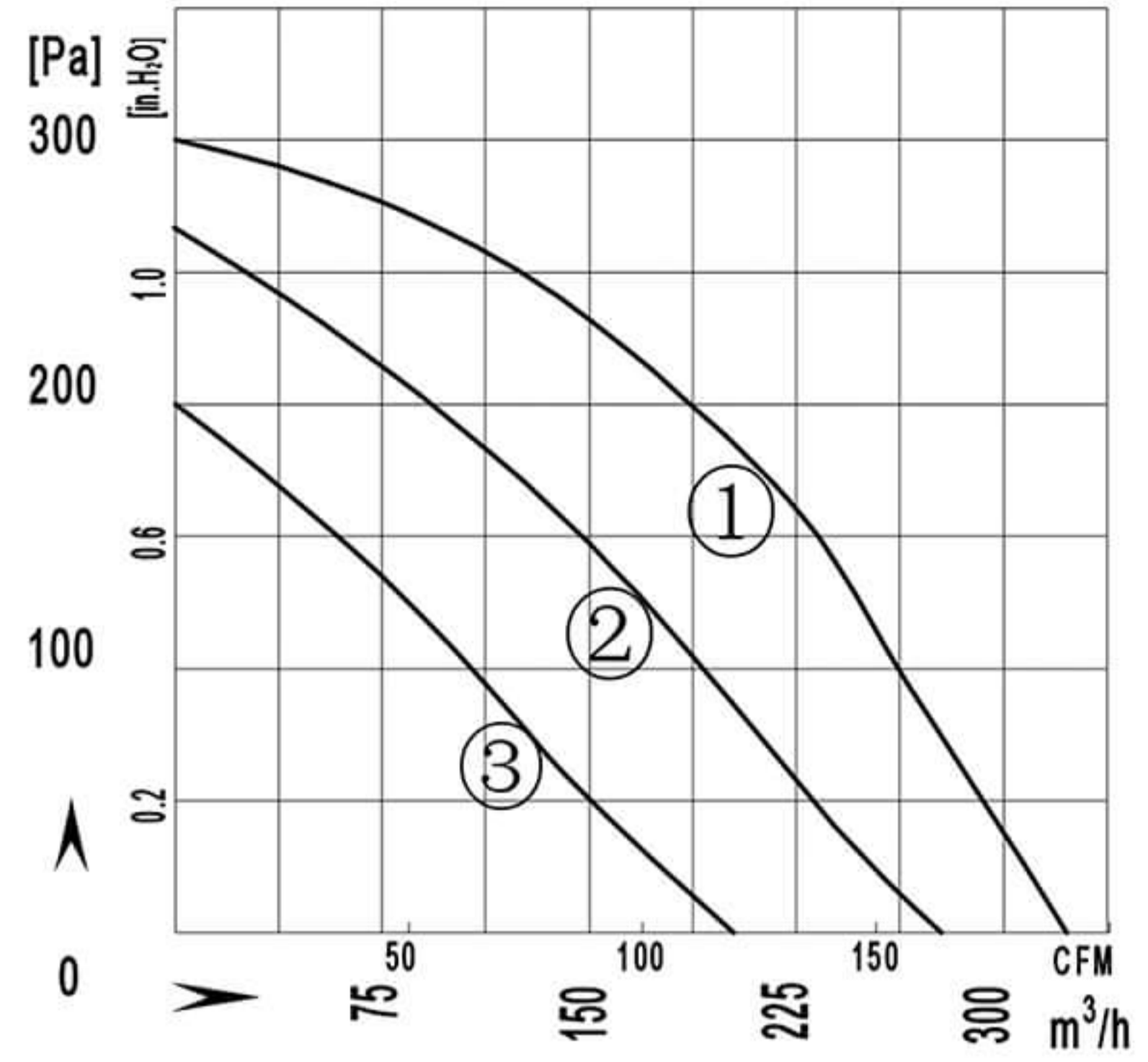


material: Galvanised sheet steel
 Protection Class: IP54
 Approvals: CCC CE
 Insulation class: F



	Voltage V	Frequency Hz	Current A	Input Power W	Speed rpm	Capacitor µF	Air Flow m ³ /h / CFM	Noise dB(A)	Temperature Min / Max(°C)	Curve No. #	Approvals
BMF 315-150W-AW00	380/400	50	3.7	2200	1350	/	5000/2941	85	-30 / +60	①	CCC ,CE,RoHS

133-126S Forward Centrifugal Fan

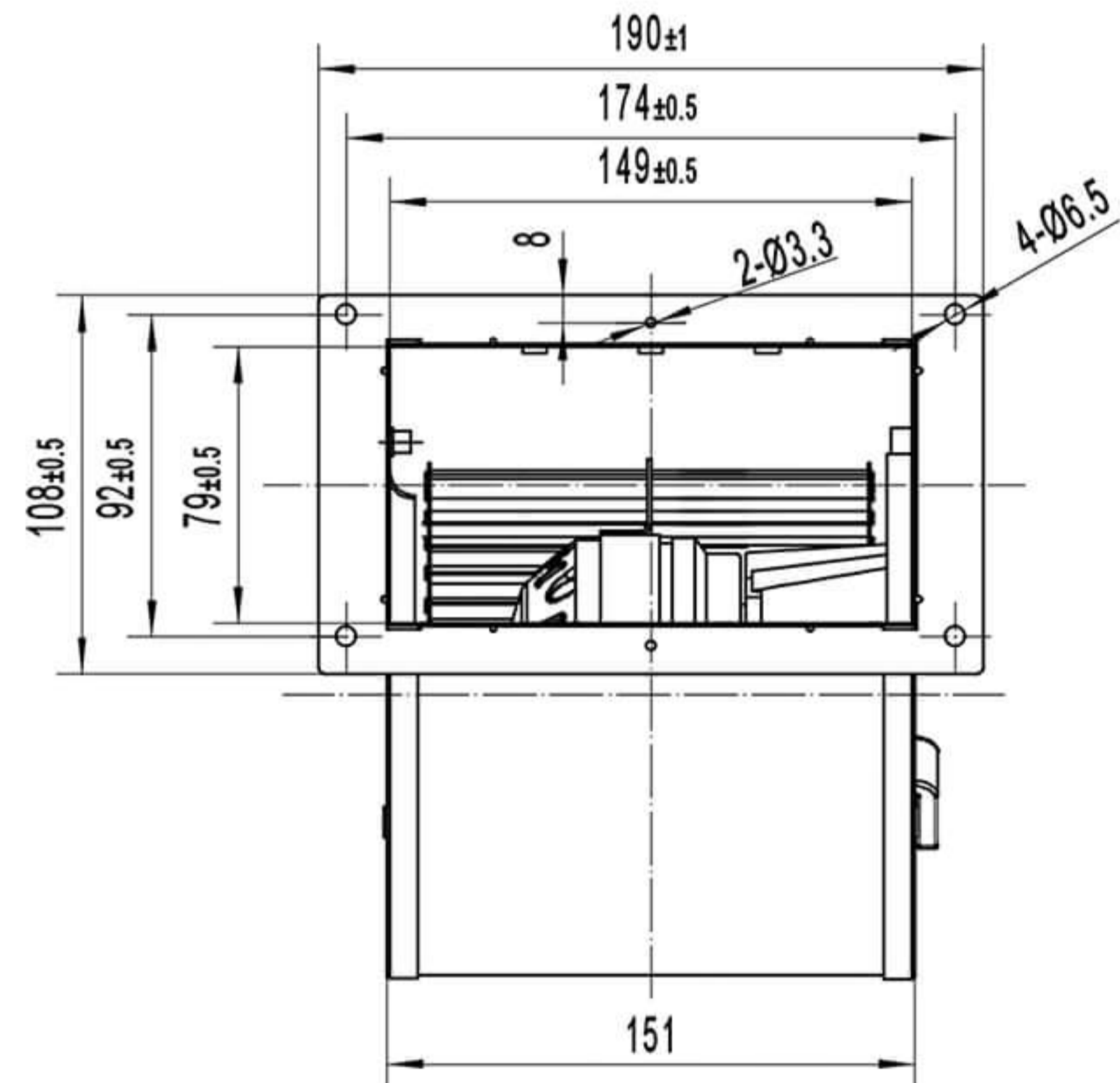
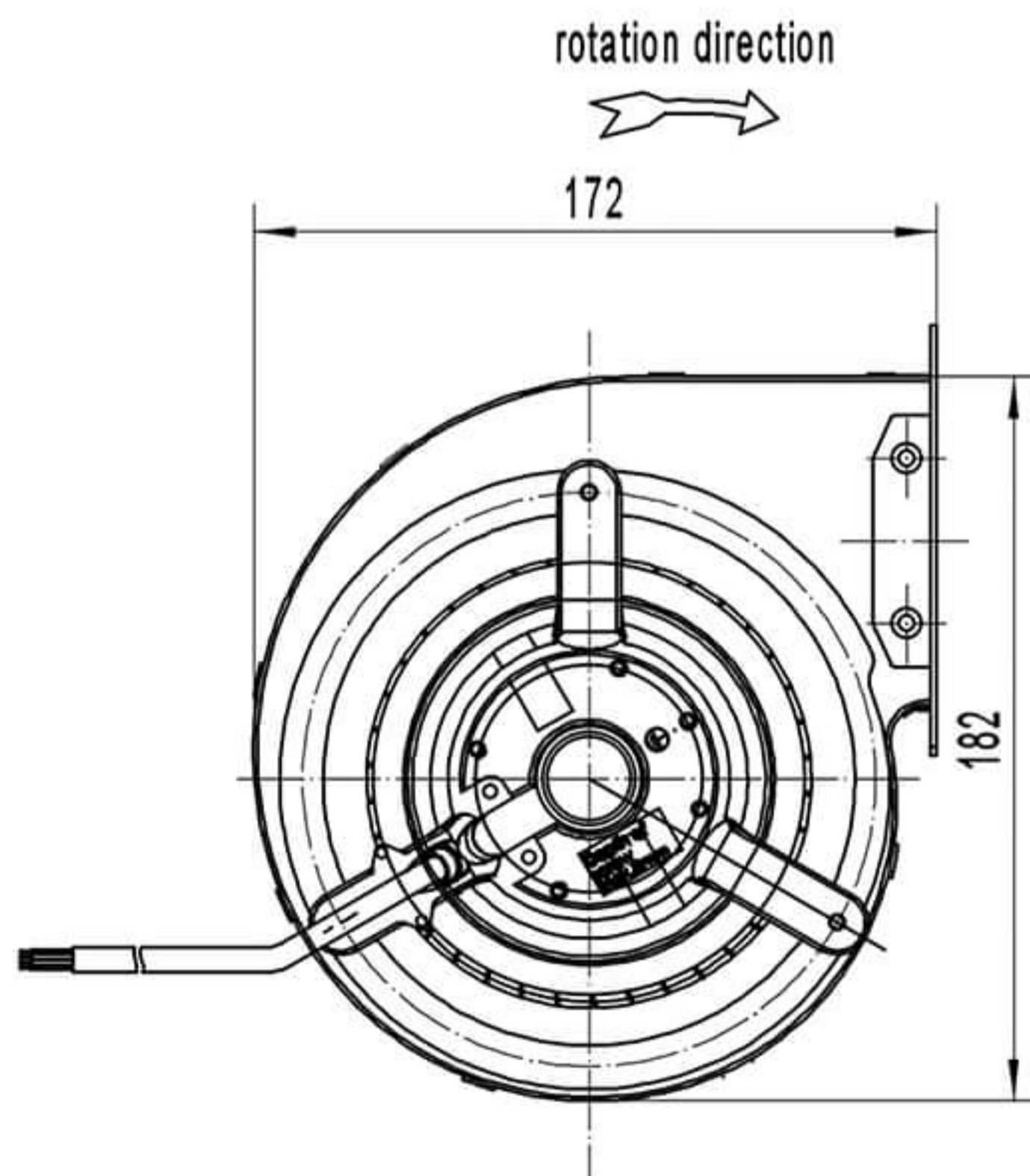


material: Galvanised sheet steel

Protection Class: IP44

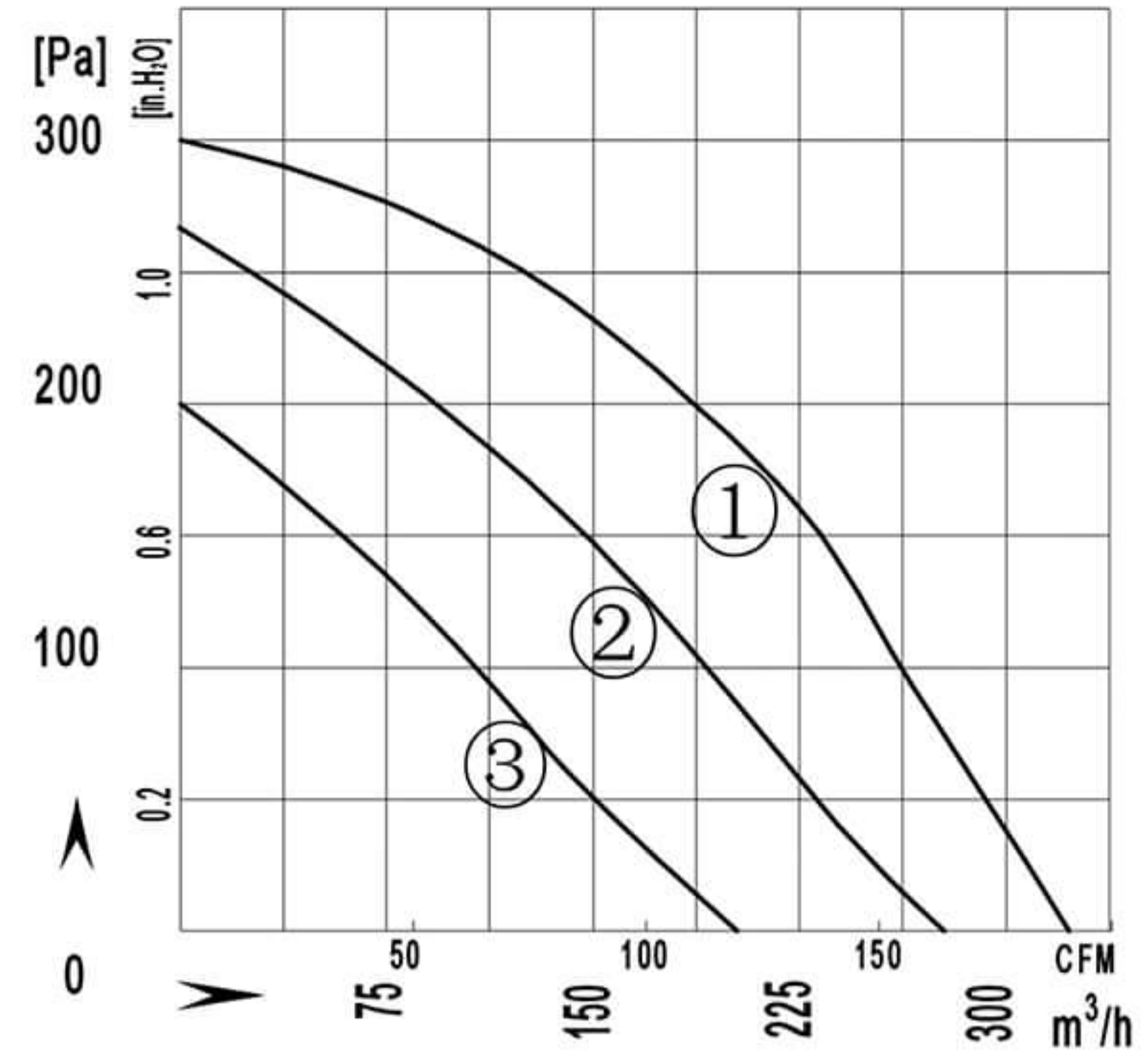
Approvals: CCC CE

Insulation class: F



	Voltage V	Frequency Hz	Current A	Input Power W	Speed rpm	Capacitor µF	Air Flow m3/h / CFM	Noise dB(A)	Temperature Min / Max(°C)	Curve No. #	Approvals
BMF 133-126S-TA20	220/230	50	0.30	70	1450	1.5	320 / 188	40	-30 / +60	①	CCC,CE,RoHS
	220/230	50	0.26	60	1250	1.5	270 / 159	35	-30 / +60	②	CCC,CE,RoHS
	220/230	50	0.22	47	950	1.5	200 / 129	29	-30 / +60	③	CCC,CE,RoHS

133-126S Forward Centrifugal Fan

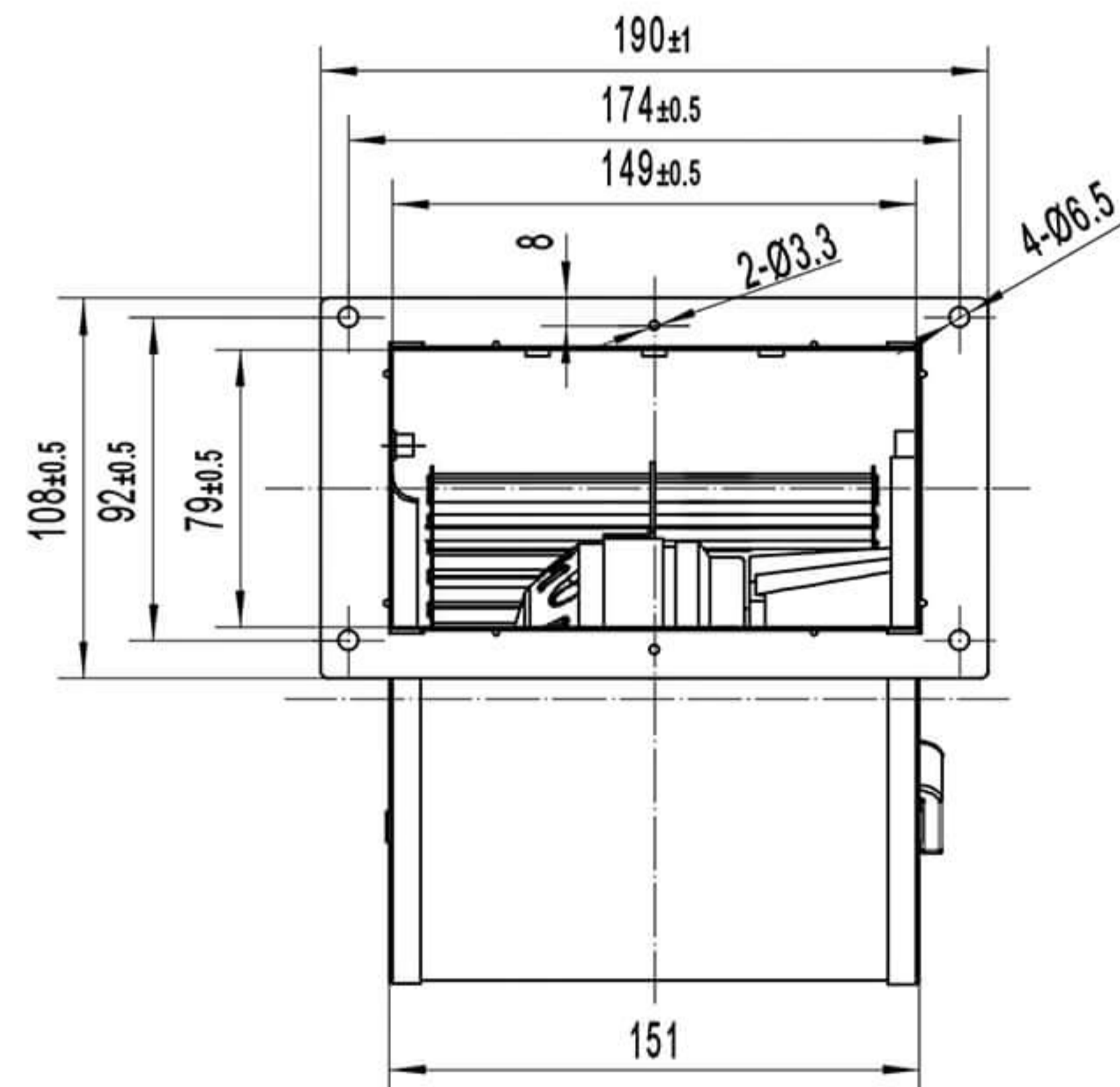
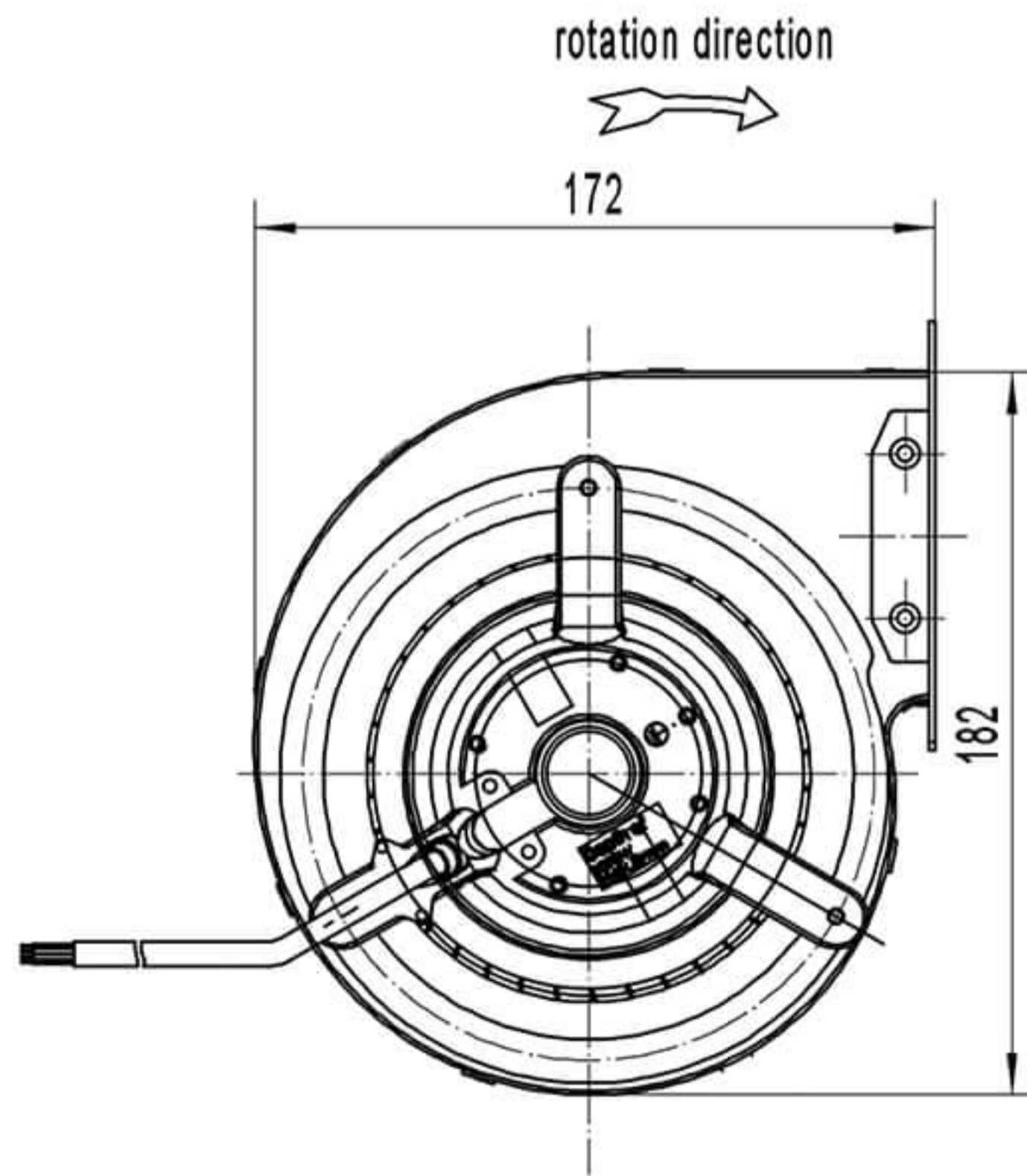


material: Galvanised sheet steel

Protection Class: IP44

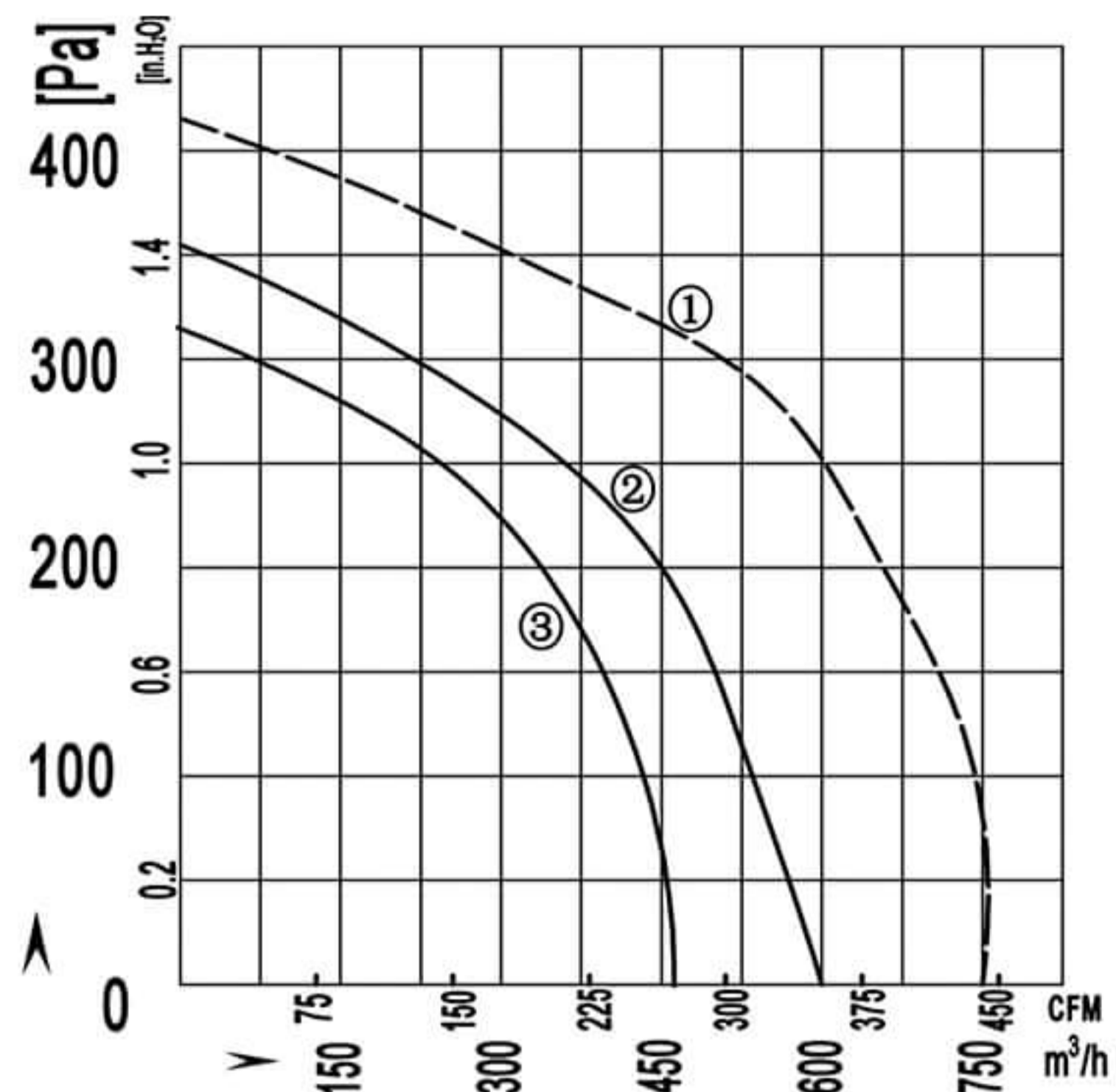
Approvals: CCC CE

Insulation class: F



	Voltage V	Frequency Hz	Current A	Input Power W	Speed rpm	Capacitor µF	Air Flow m ³ /h / CFM	Noise dB(A)	Temperature Min / Max(°C)	Curve No. #	Approvals
BMF 133-126S-TA20	220/230	50	0.30	70	1450	1.5	320 / 188	40	-30 / +60	①	CCC,CE,RoHS
	220/230	50	0.26	60	1250	1.5	270 / 159	35	-30 / +60	②	CCC,CE,RoHS
	220/230	50	0.22	47	950	1.5	200 / 129	29	-30 / +60	③	CCC,CE,RoHS

133-190S-T Forward Centrifugal Fan

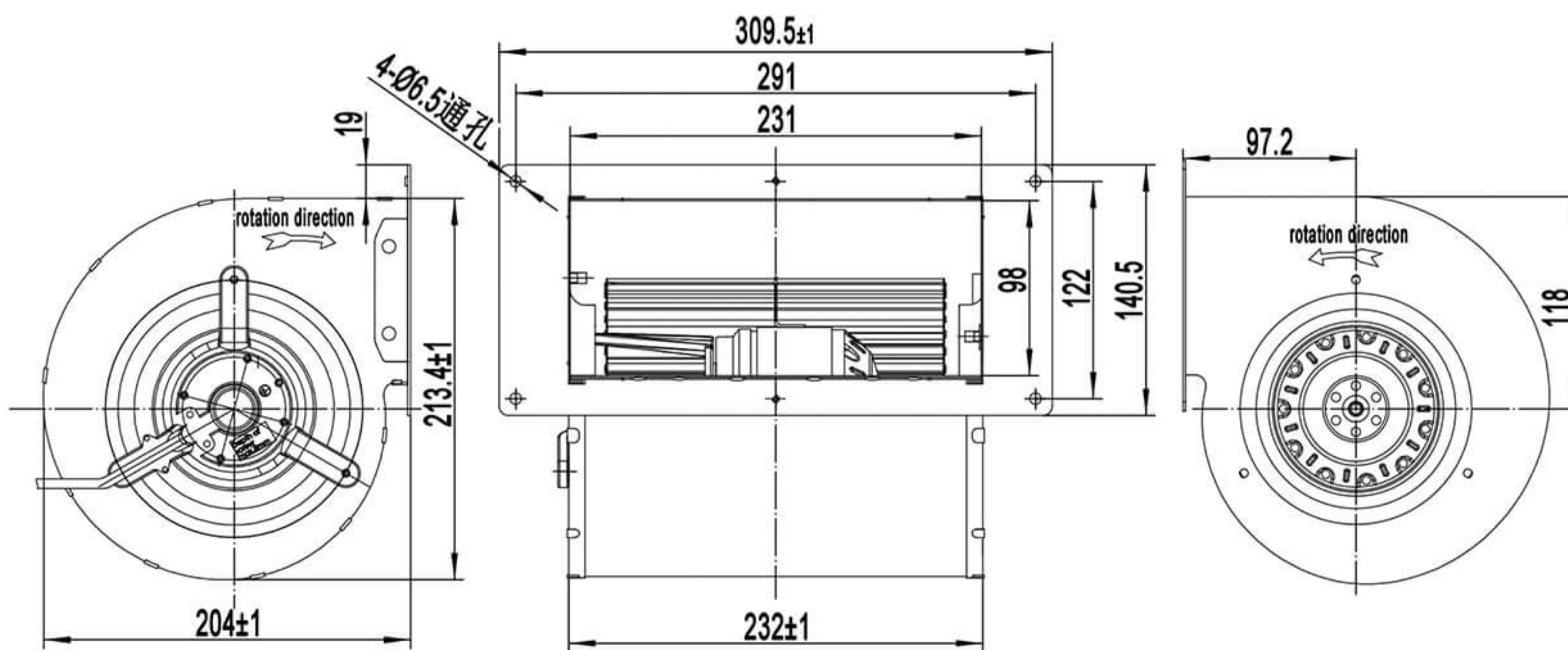


material: Galvanised sheet steel

Protection Class: IP44

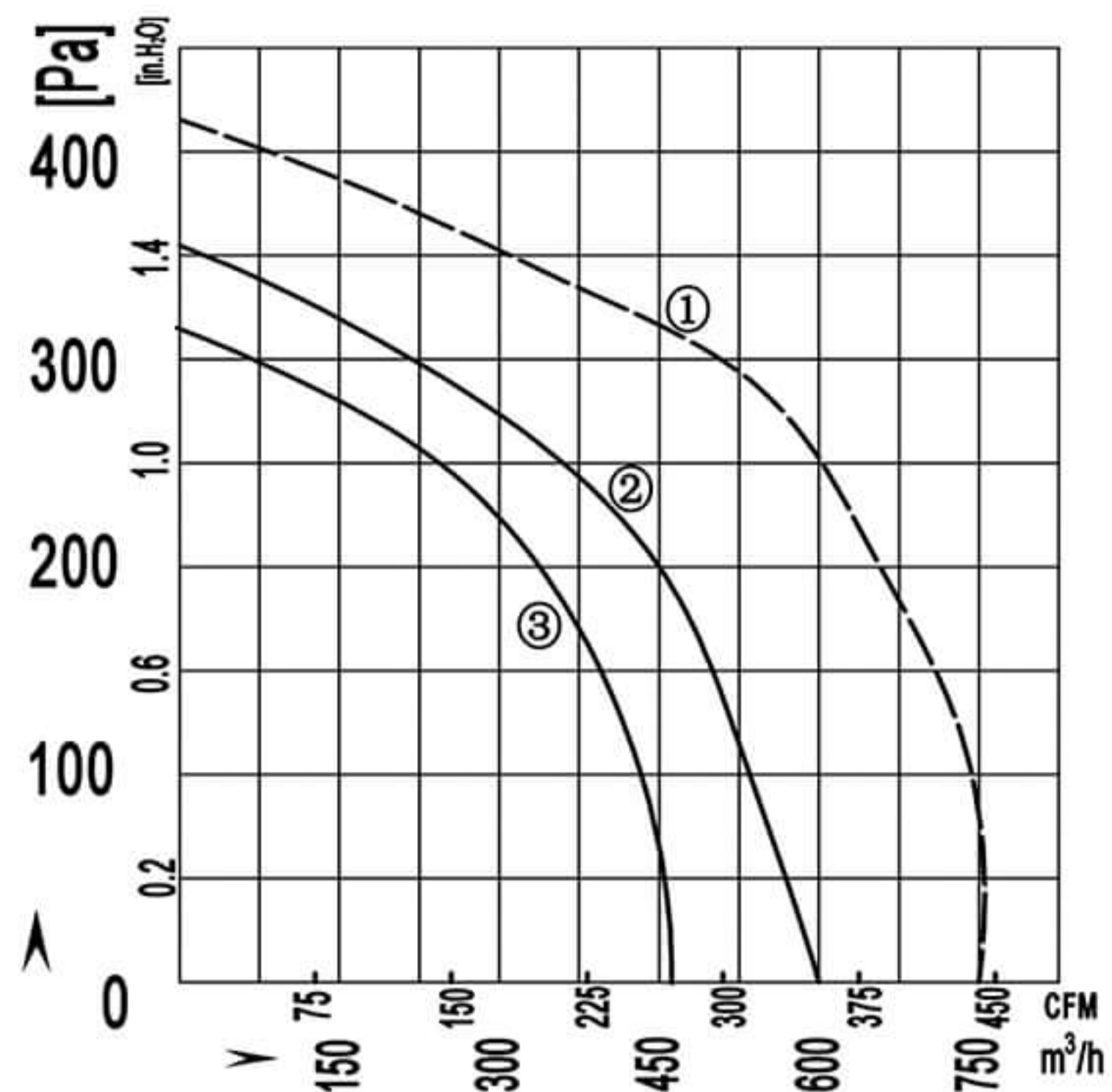
Approvals: CCC CE

Insulation class: F



	Voltage V	Frequency Hz	Current A	Input Power W	Speed rpm	Capacitor μF	Air Flow m ³ /h / CFM	Noise dB(A)	Temperature Min / Max(°C)	Curve No. #	Approvals
BMF 133-190S-TE20	220/230	50	1.1	250	1200	4	780 / 458	58	-30 / +60	①	CCC,CE,RoHS
			0.9	205	900		580 / 342	51	-30 / +60	②	CCC,CE,RoHS
			0.8	175	700		460 / 270	46	-30 / +60	③	CCC,CE,RoHS

133-190S-T Forward Centrifugal Fan

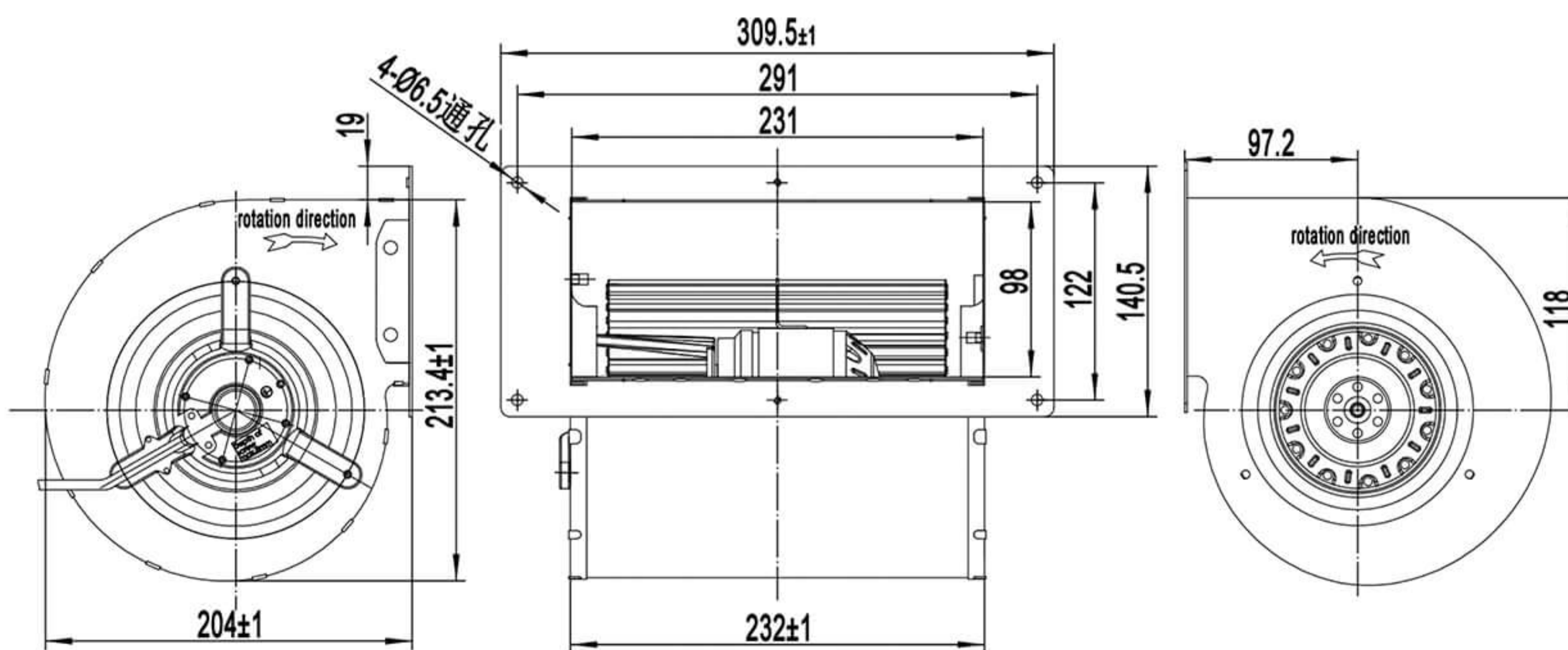


material: Galvanised sheet steel

Protection Class: IP44

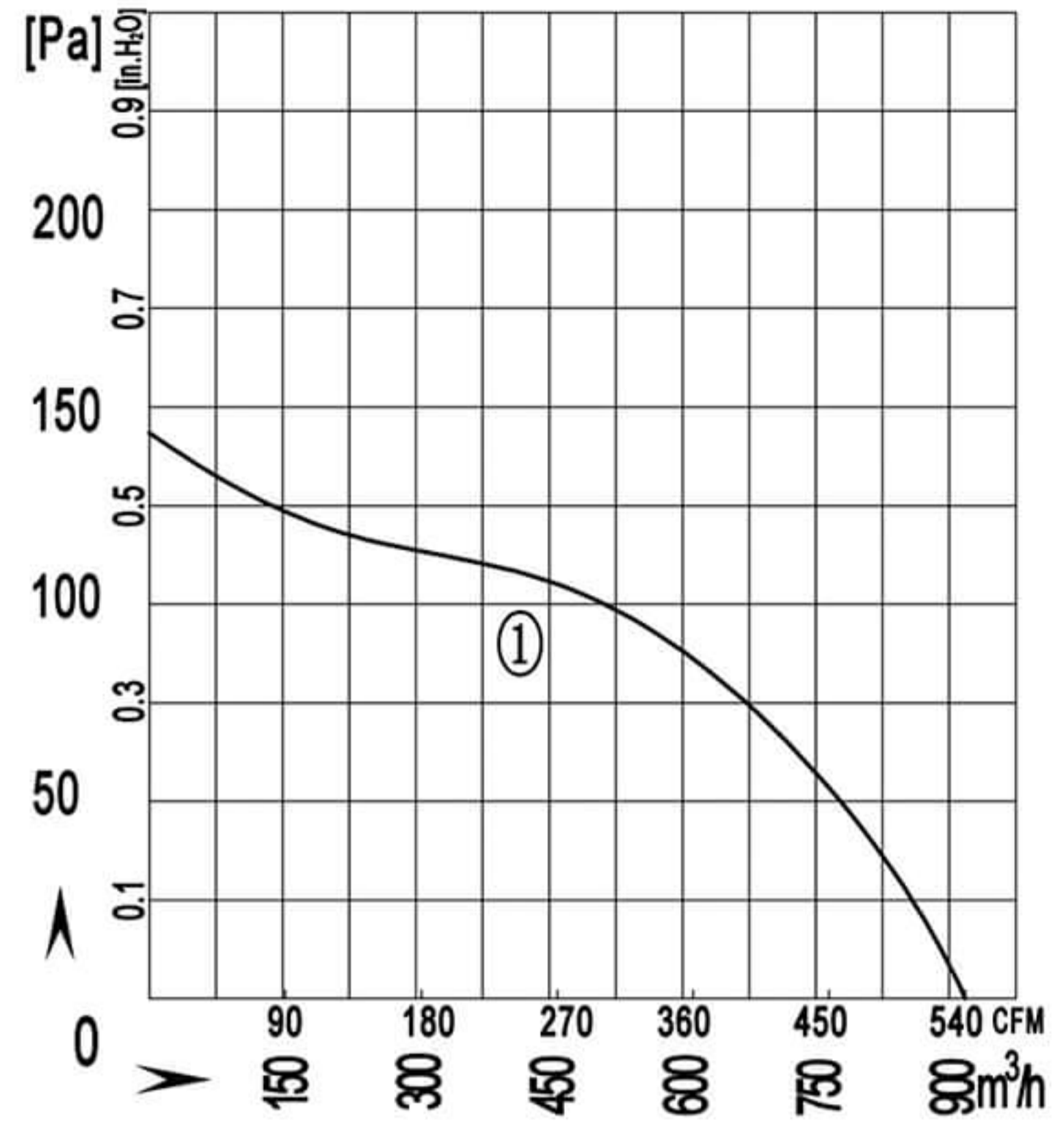
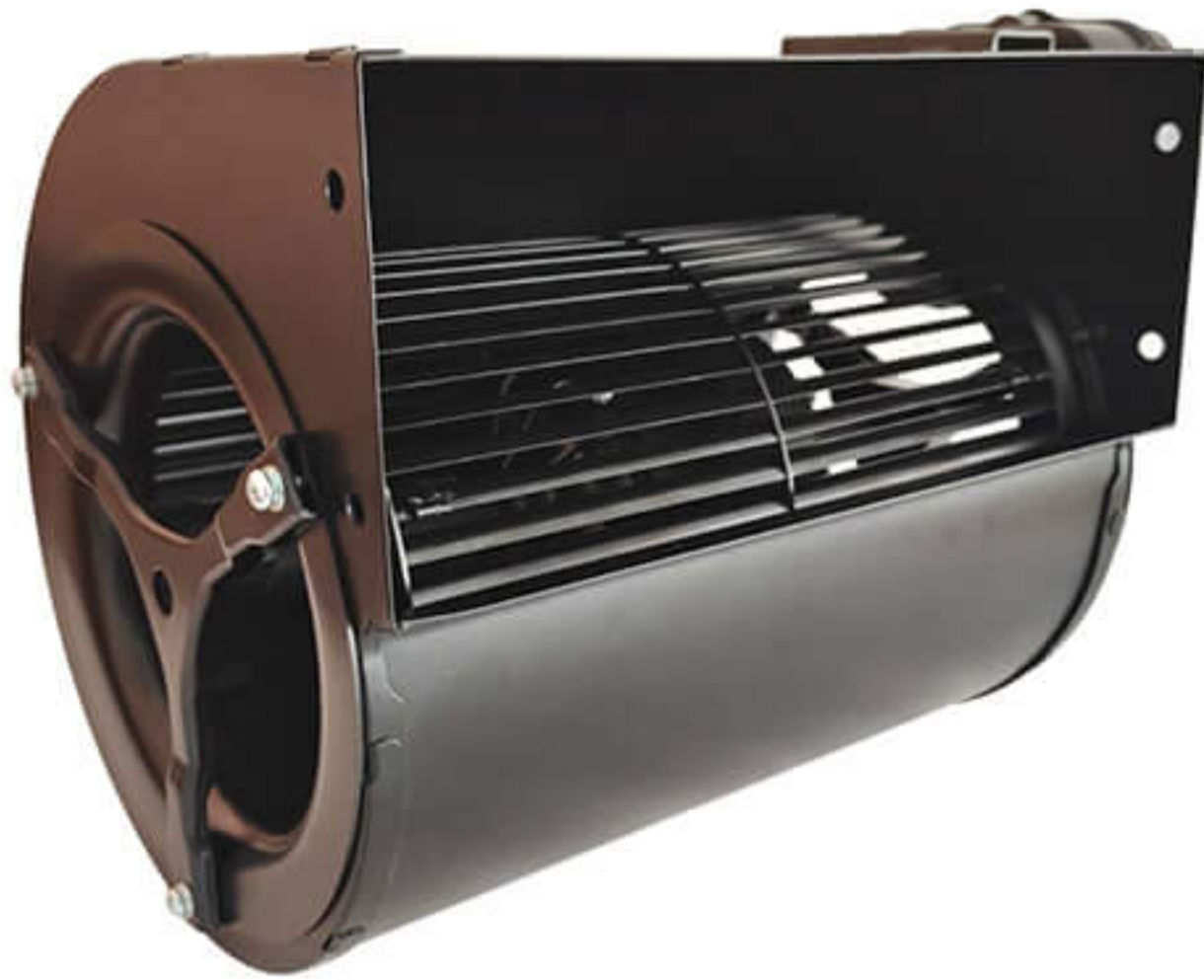
Approvals: CCC CE

Insulation class: F

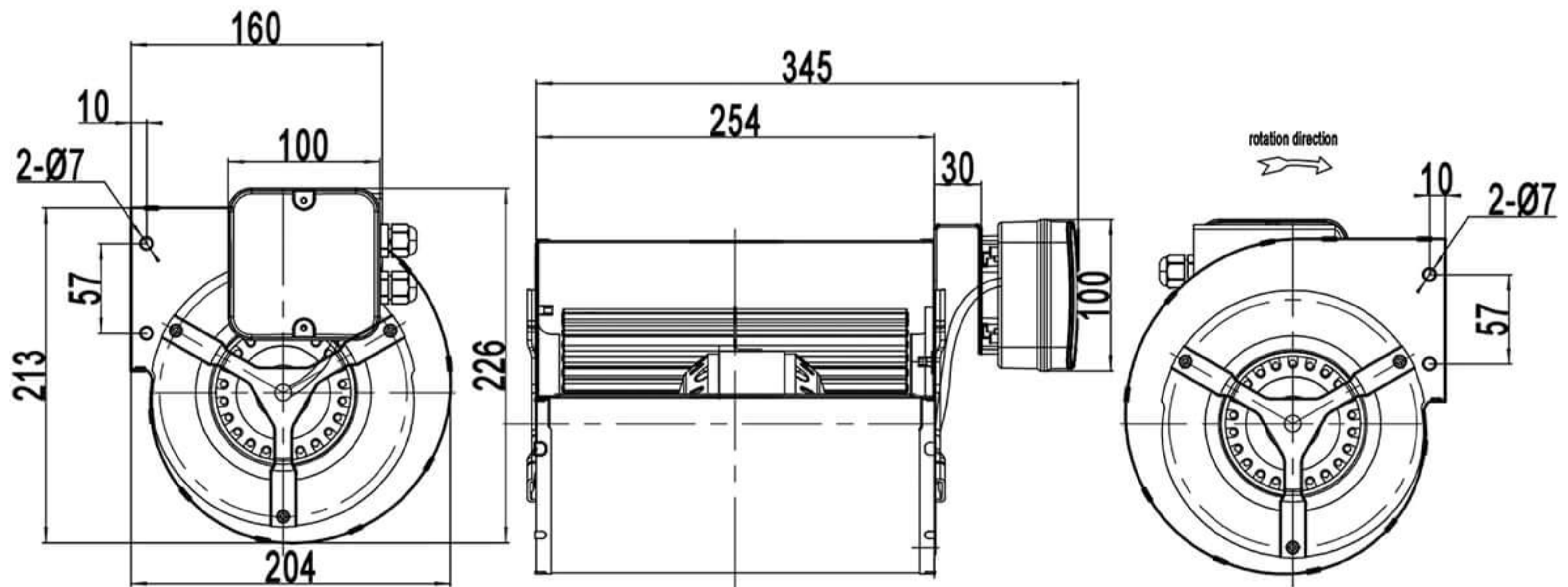


	Voltage V	Frequency Hz	Current A	Input Power W	Speed rpm	Capacitor µF	Air Flow m3/h / CFM	Noise dB(A)	Temperature Min / Max(°C)	Curve No. #	Approvals
BMF 133-190S-TE20	220/230	50	1.1	250	1200	4	780 / 458	58	-30 / +60	①	CCC,CE,RoHS
			0.9	205	900		580 / 342	51	-30 / +60	②	CCC,CE,RoHS
			0.8	175	700		460 / 270	46	-30 / +60	③	CCC,CE,RoHS

146-220S Forward Centrifugal Fan

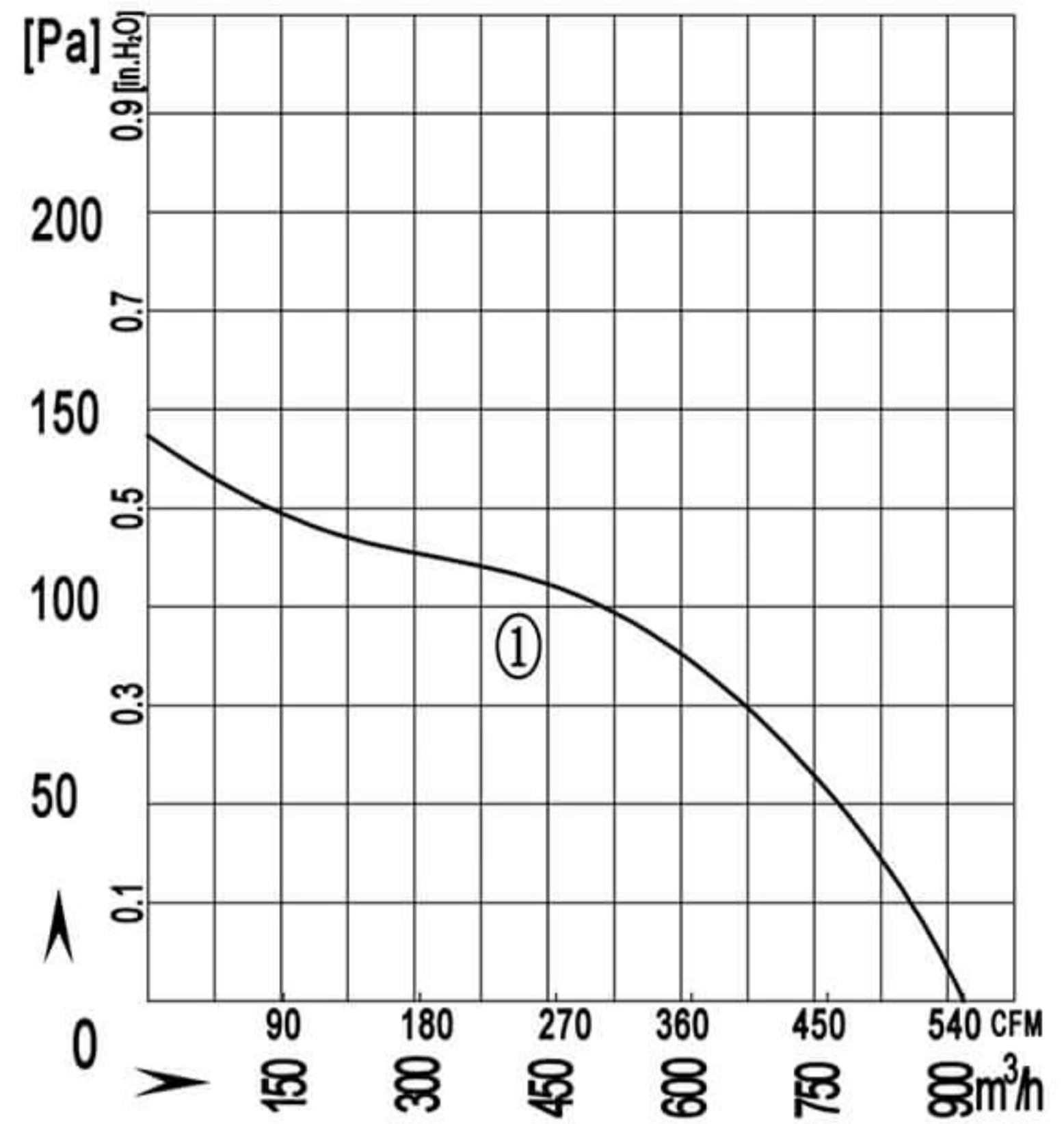
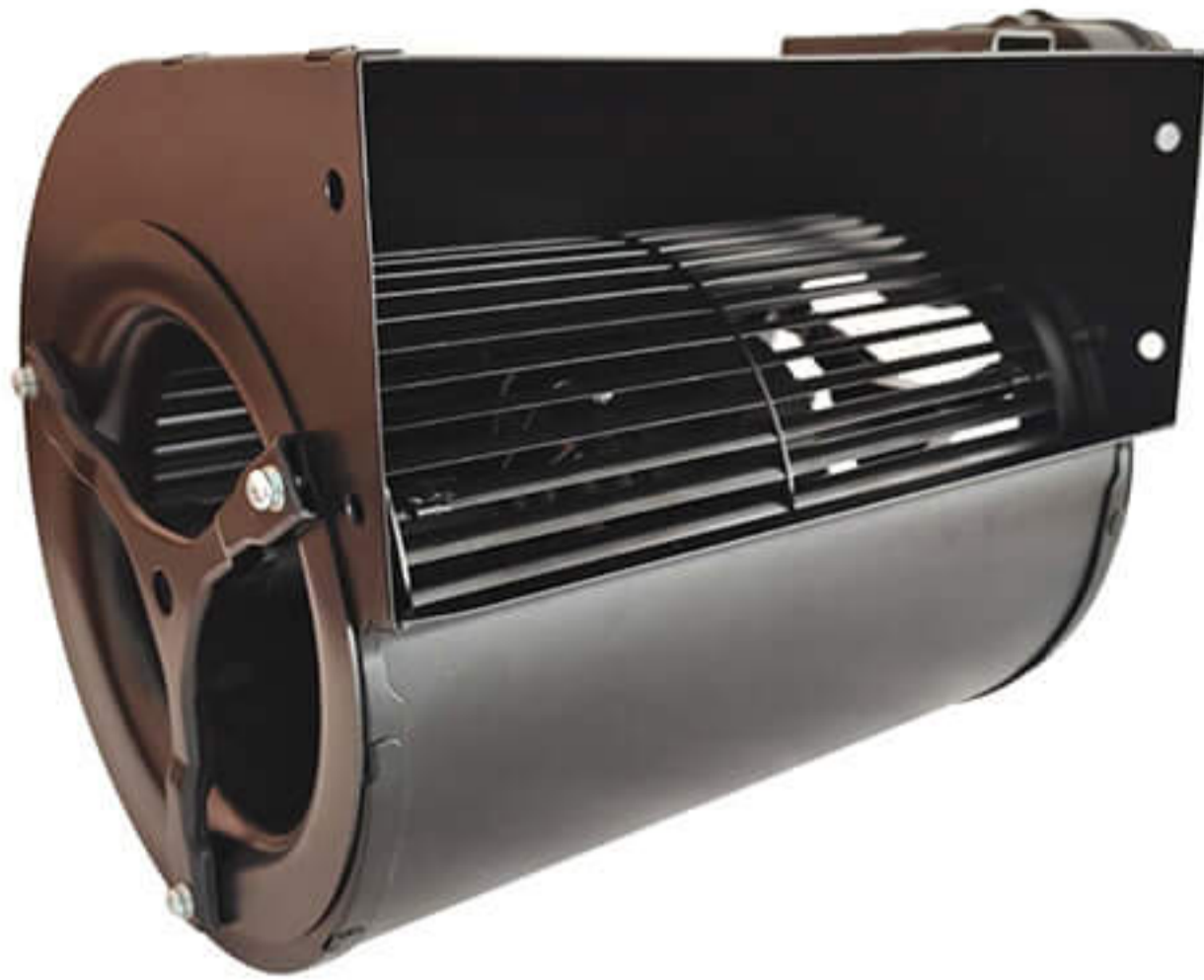


material: Galvanised sheet steel
 Protection Class: IP44
 Approvals: CCC CE
 Insulation class: F



	Voltage V	Frequency Hz	Current A	Input Power W	Speed rpm	Capacitor µF	Air Flow m ³ /h / CFM	Noise dB(A)	Temperature Min / Max(°C)	Curve No. #	Approvals
BMF 146-220S-AE80	220	50	0.52	115	1210	4	910 / 535	60	-30 / +60	①	CCC ,CE,RoHS

146-220S Forward Centrifugal Fan

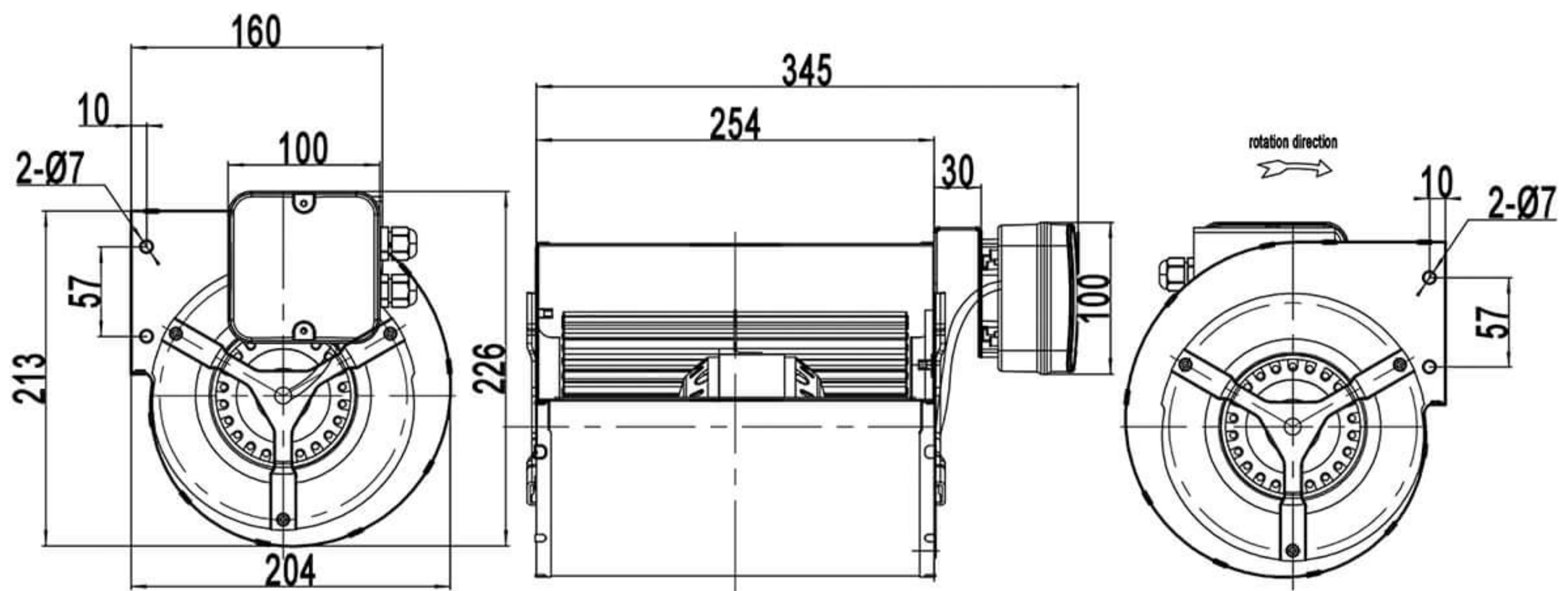


material: Galvanised sheet steel

Protection Class: IP44

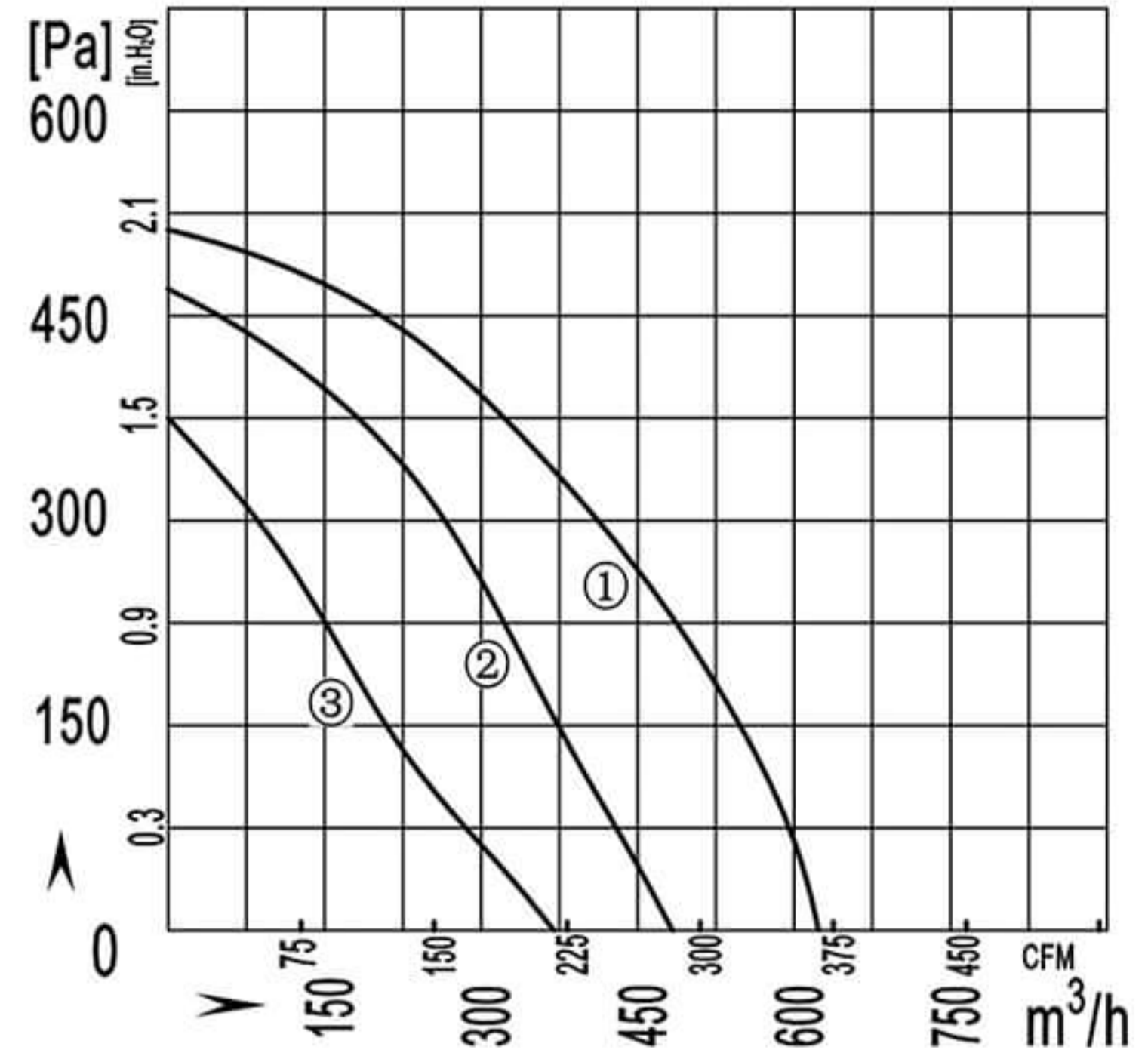
Approvals: CCC CE

Insulation class: F

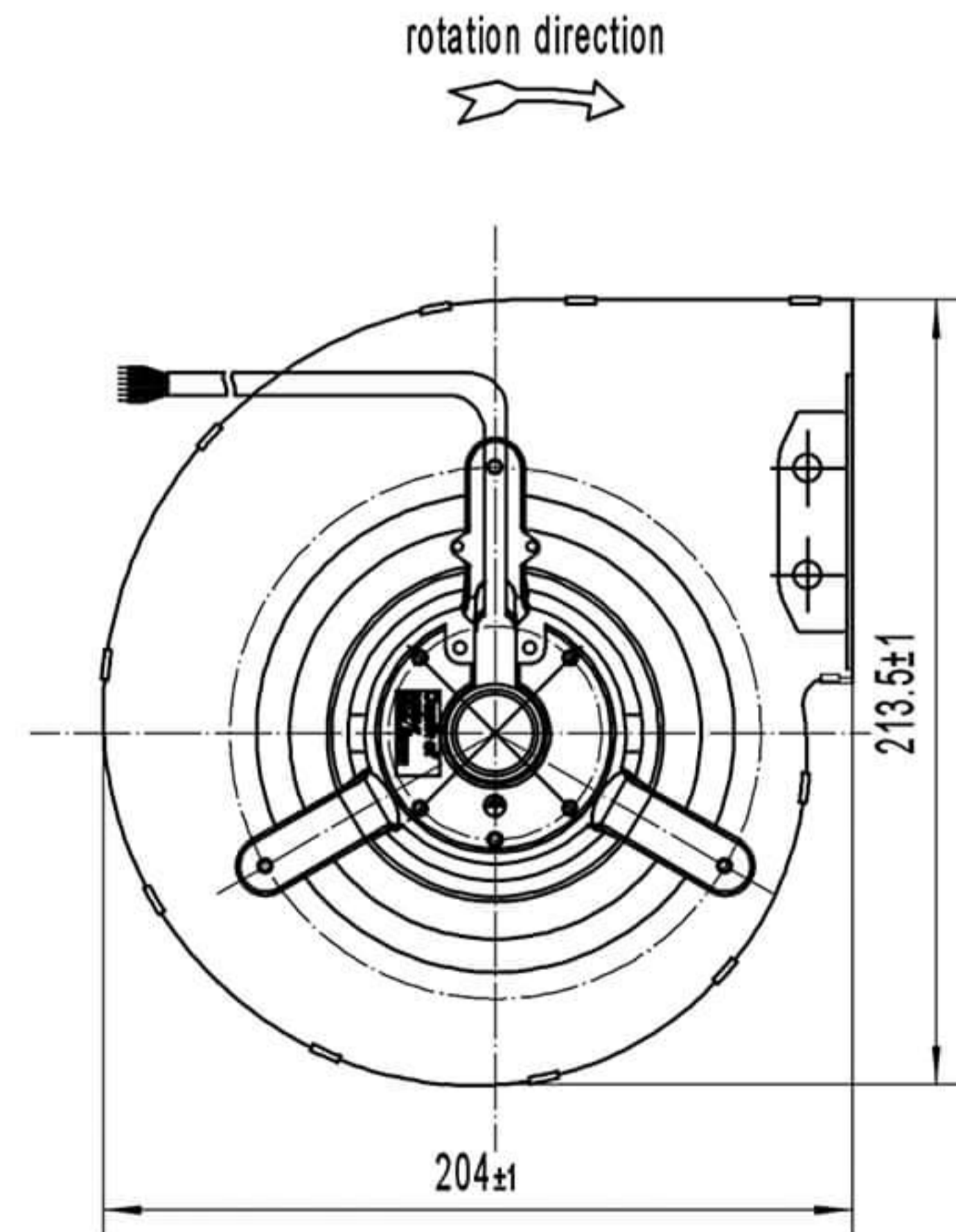
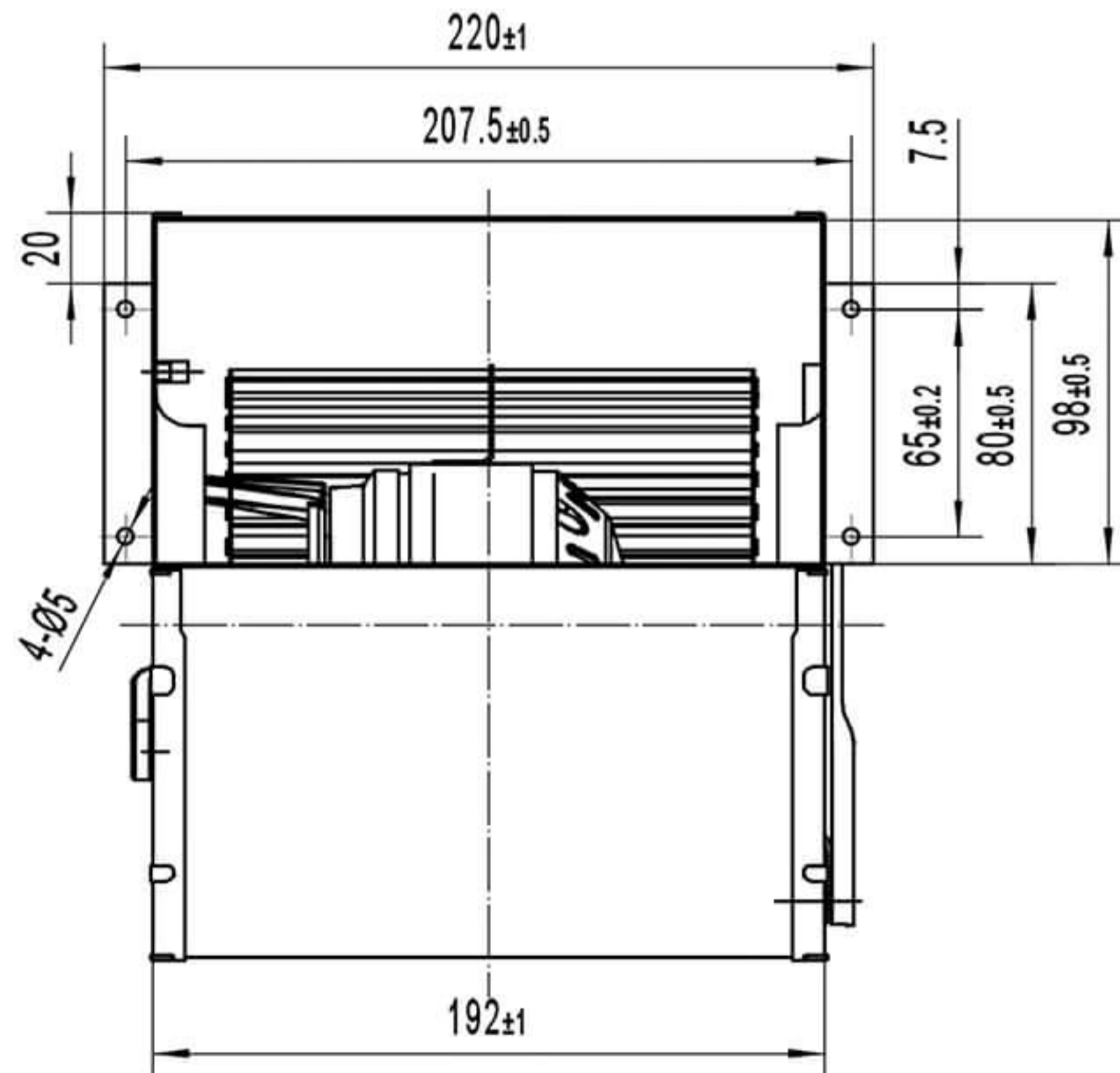


	Voltage V	Frequency Hz	Current A	Input Power W	Speed rpm	Capacitor µF	Air Flow m³/h / CFM	Noise dB(A)	Temperature Min / Max(°C)	Curve No. #	Approvals
BMF 146-220S-AE80	220	50	0.52	115	1210	4	910 / 535	60	-30 / +60	①	CCC ,CE,RoHS

146-150S Forward Centrifugal Fan

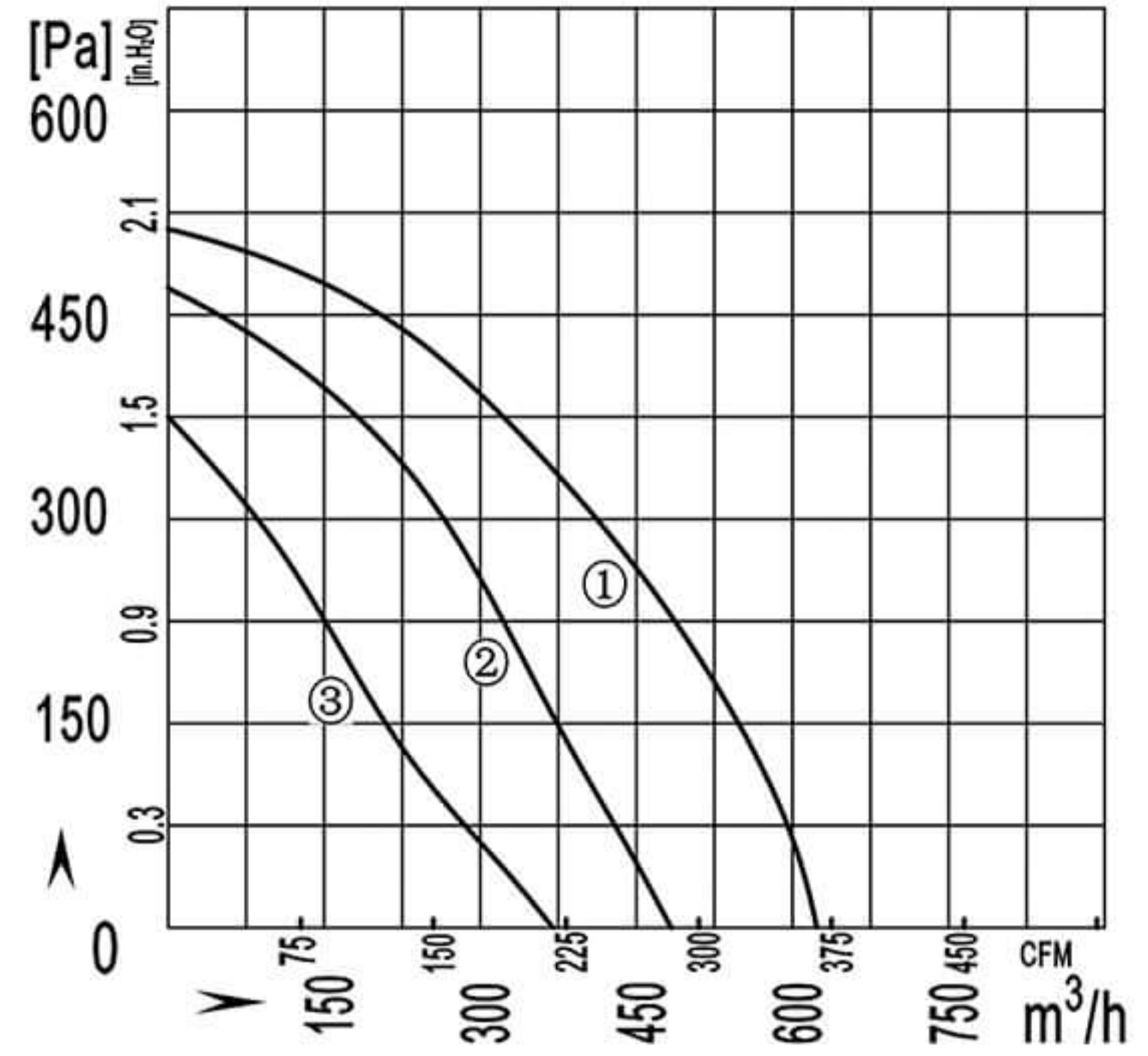


material: Galvanised sheet steel
 Protection Class: IP44
 Approvals: CCC CE
 Insulation class: F

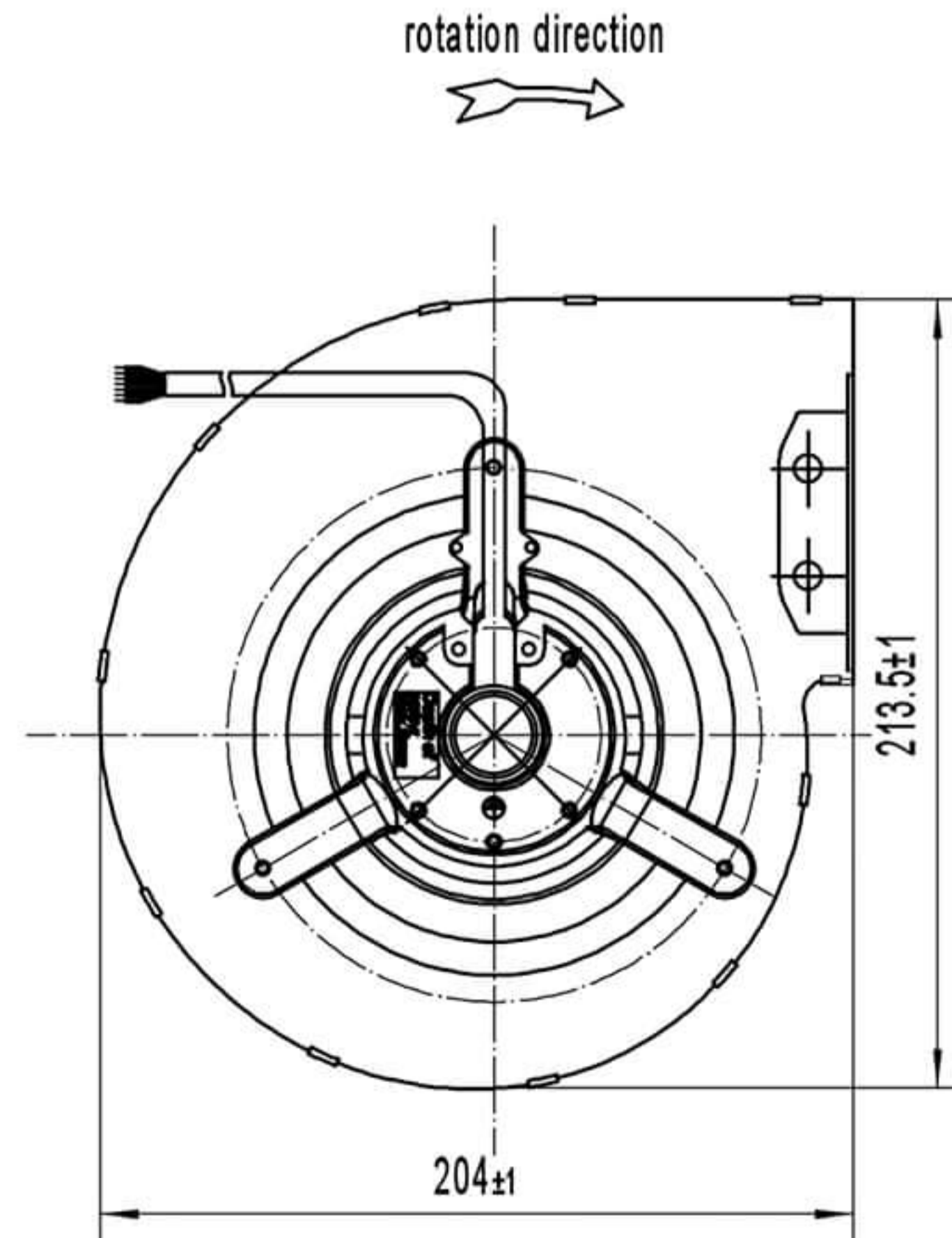
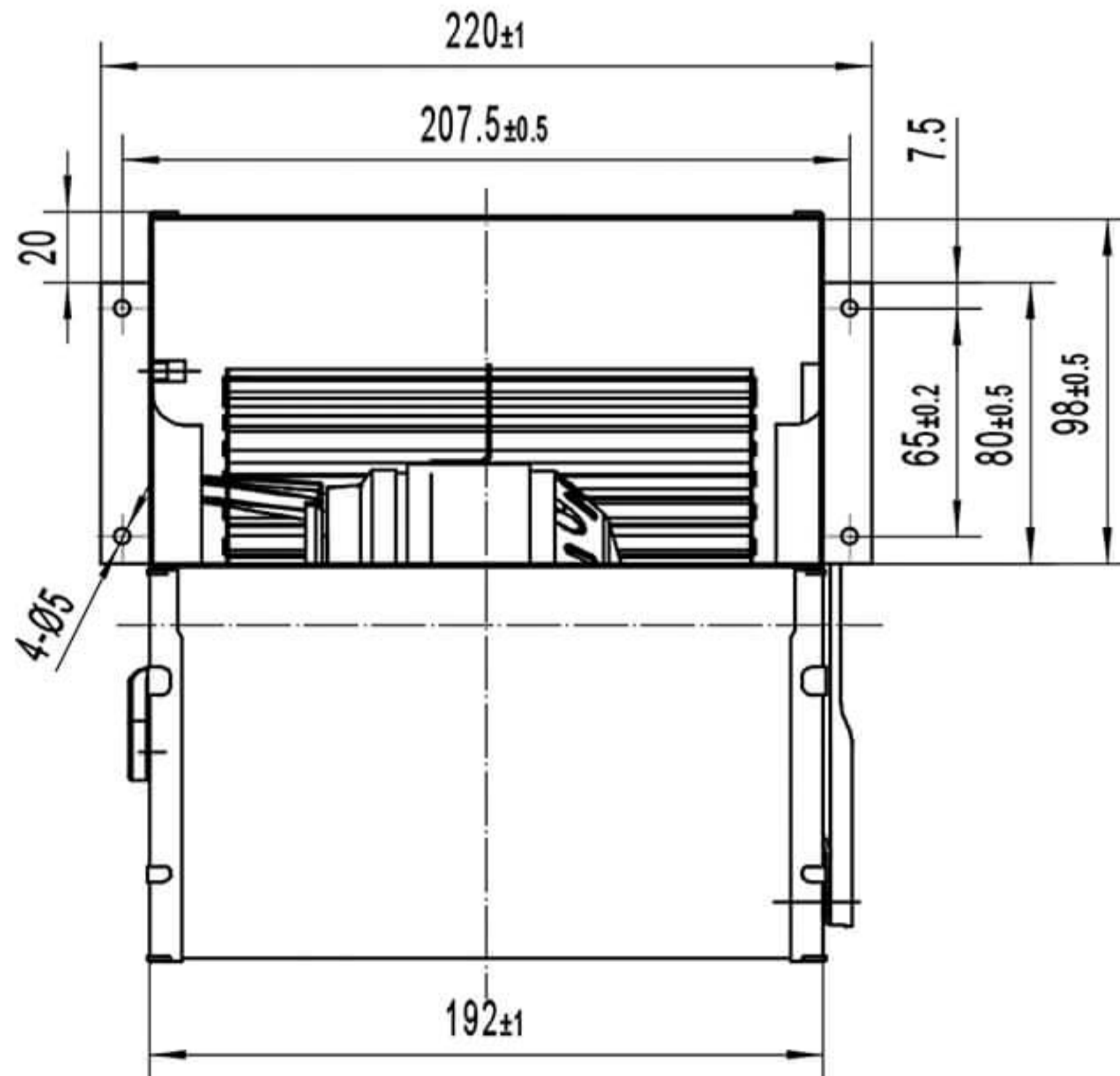


	Voltage	Frequency	Current	Input Power	Speed	Capacitor	Air Flow	Noise	Temperature	Curve No.	Approvals
	V	Hz	A	W	rpm	µF	m3/h / CFM	dB(A)	Min / Max(°C)	#	
BMF 146-150S-TE00	220/230	50	1.15	250	1120	4	620 / 365	56	-30 / +60	①	CCC,CE,RoHS
	220/230	50	0.94	205	850		480 / 282	49	-30 / +60	②	CCC,CE,RoHS
	220/230	50	0.80	175	650		370 / 218	42	-30 / +60	③	CCC,CE,RoHS

146-150S Forward Centrifugal Fan

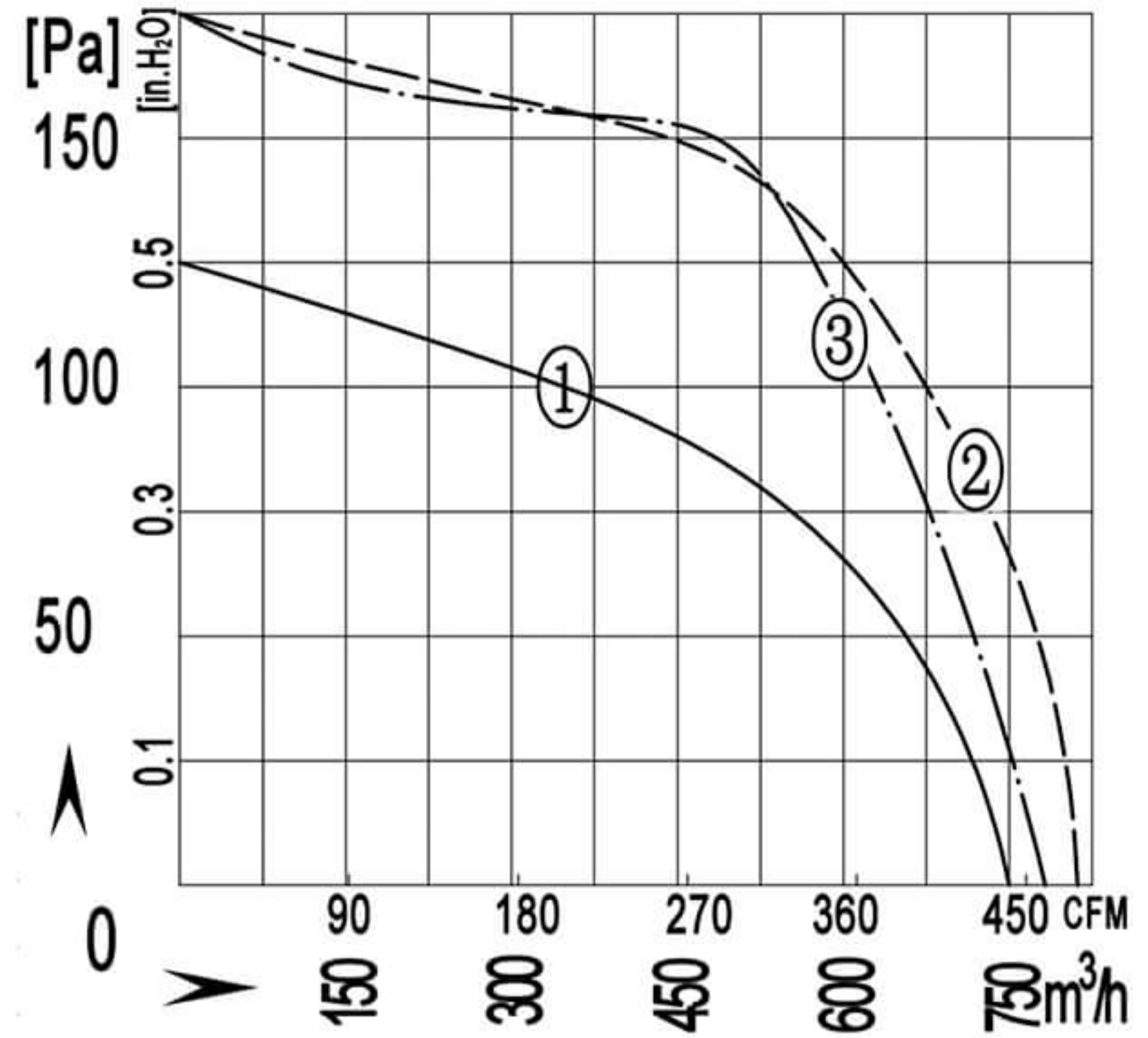


material: Galvanised sheet steel
 Protection Class: IP44
 Approvals: CCC CE
 Insulation class: F

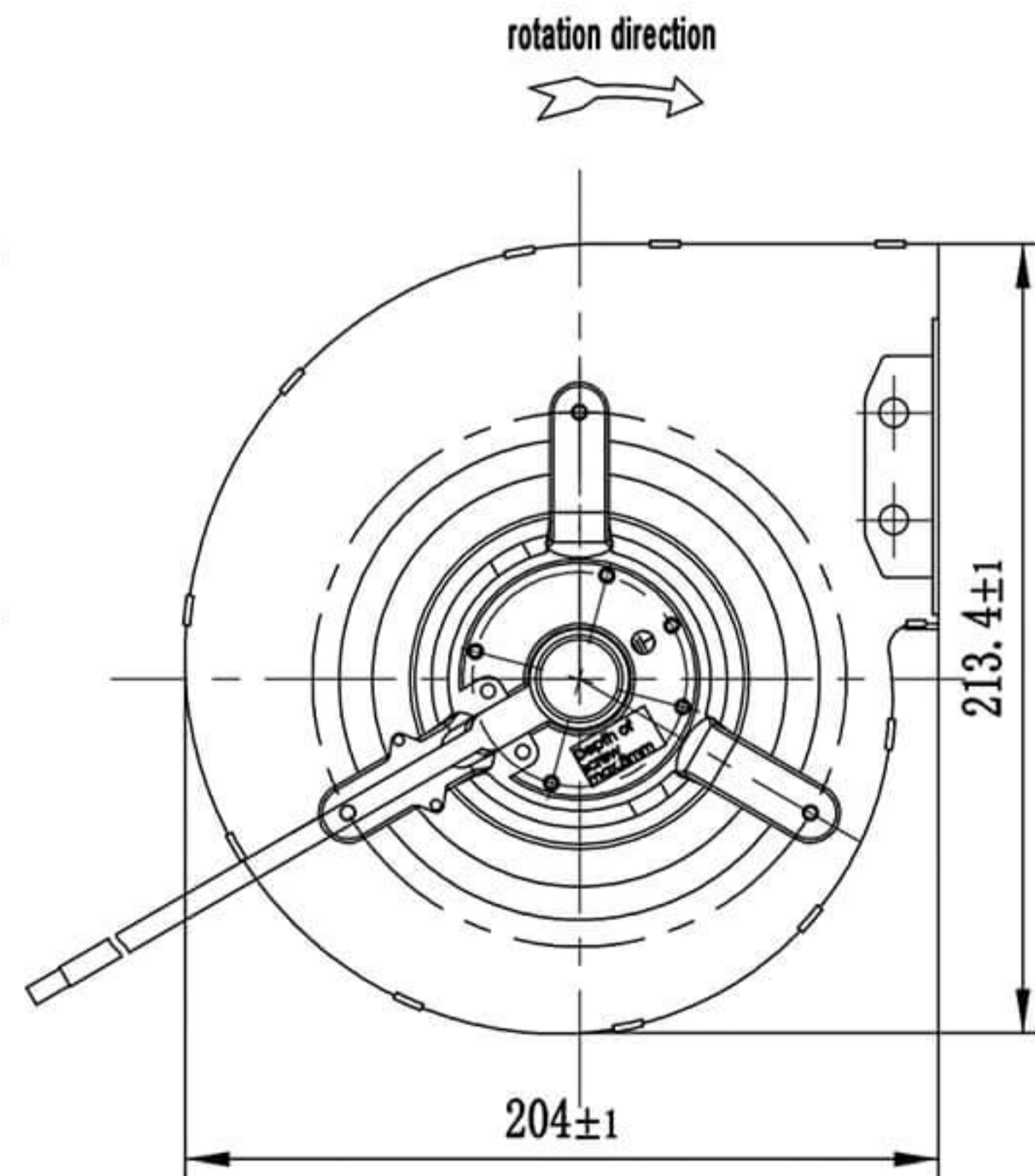
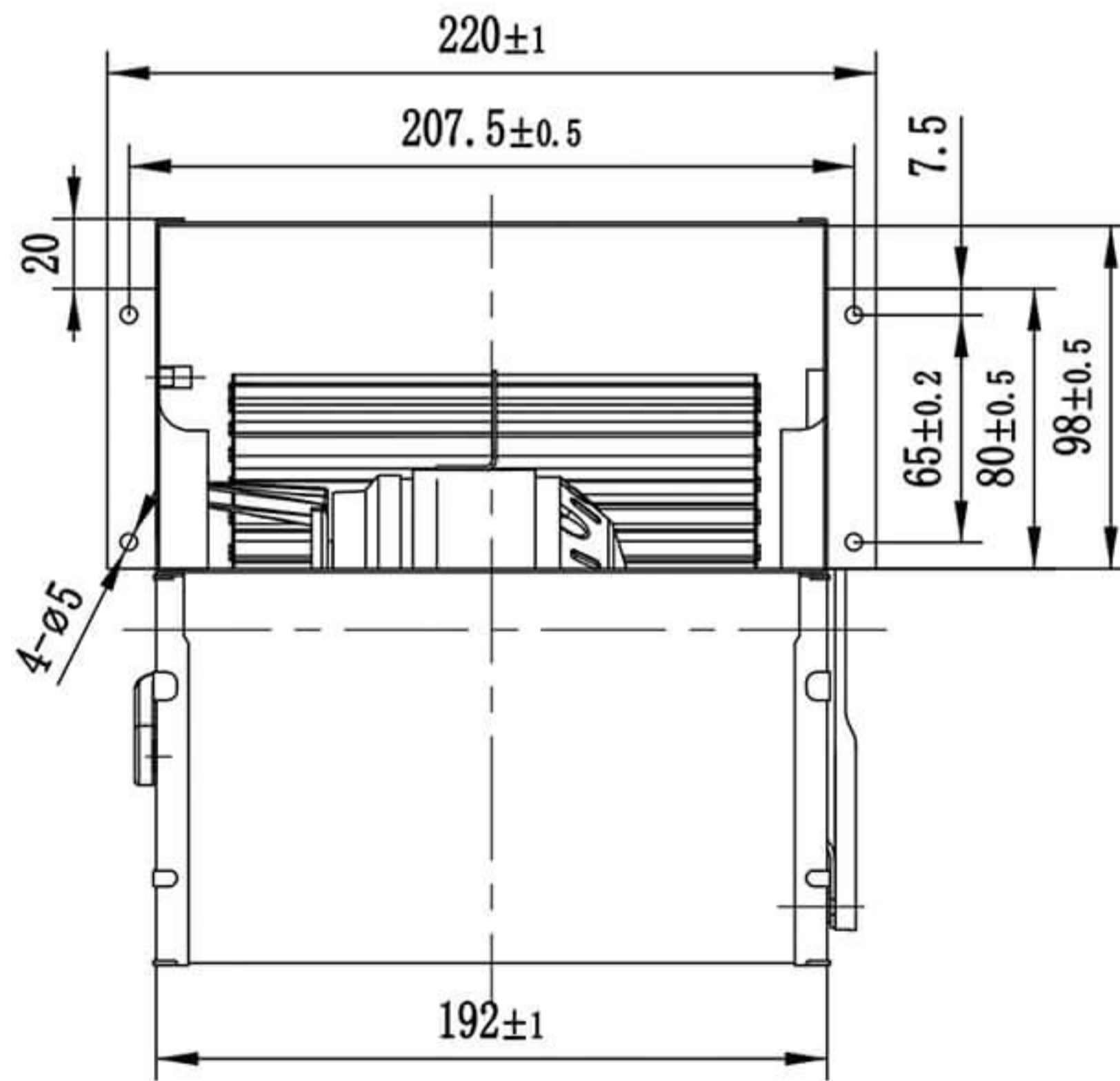


	Voltage	Frequency	Current	Input Power	Speed	Capacitor	Air Flow	Noise	Temperature	Curve No.	Approvals
	V	Hz	A	W	rpm	µF	m3/h / CFM	dB(A)	Min / Max(°C)	#	
BMF 146-150S-TE00	220/230	50	1.15	250	1120	4	620 / 365	56	-30 / +60	①	CCC,CE,RoHS
	220/230	50	0.94	205	850		480 / 282	49	-30 / +60	②	CCC,CE,RoHS
	220/230	50	0.80	175	650		370 / 218	42	-30 / +60	③	CCC,CE,RoHS

146-150S Forward Centrifugal Fan

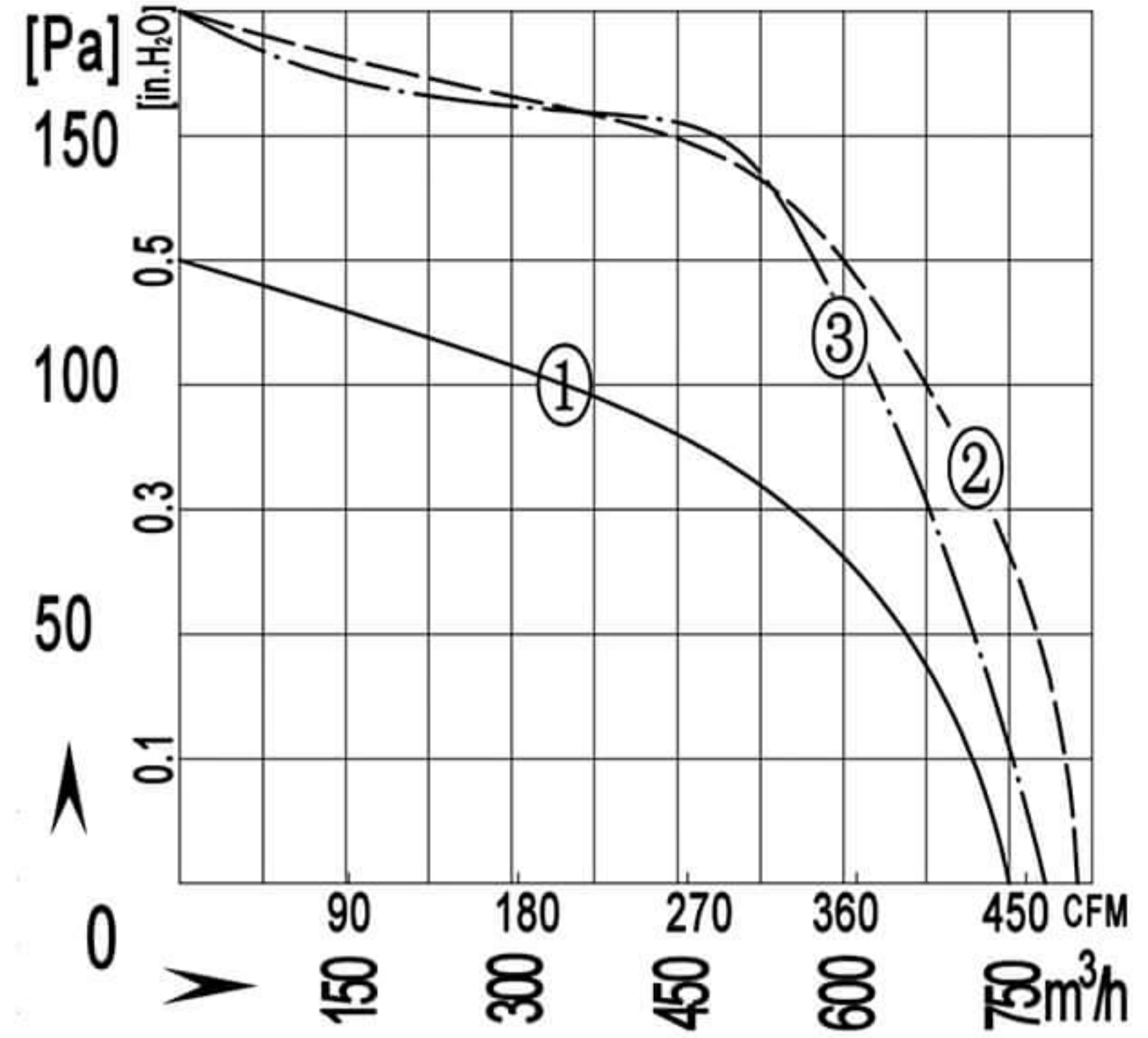


material: Galvanised sheet steel
 Protection Class: IP44
 Approvals: CCC CE
 Insulation class: F

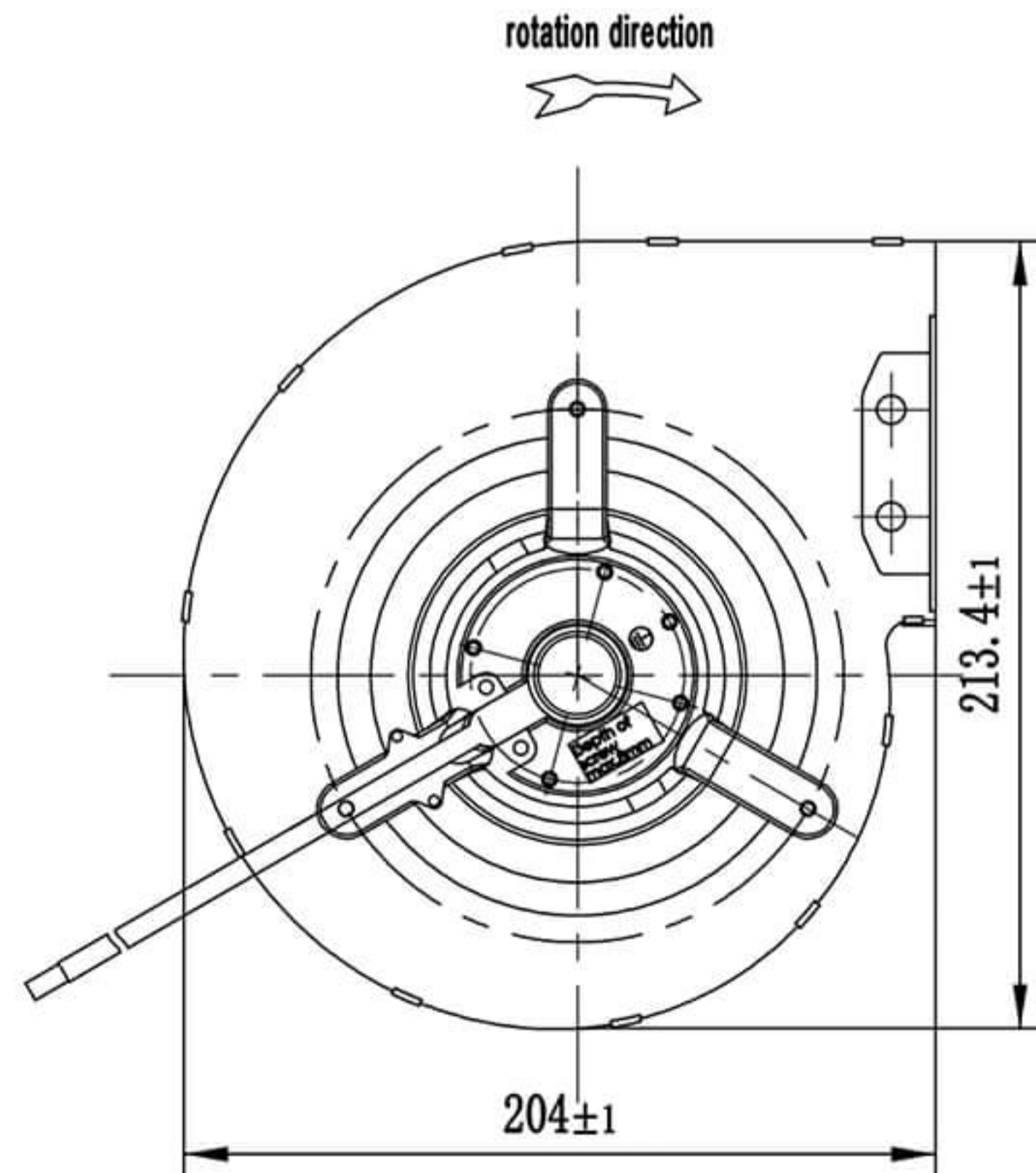
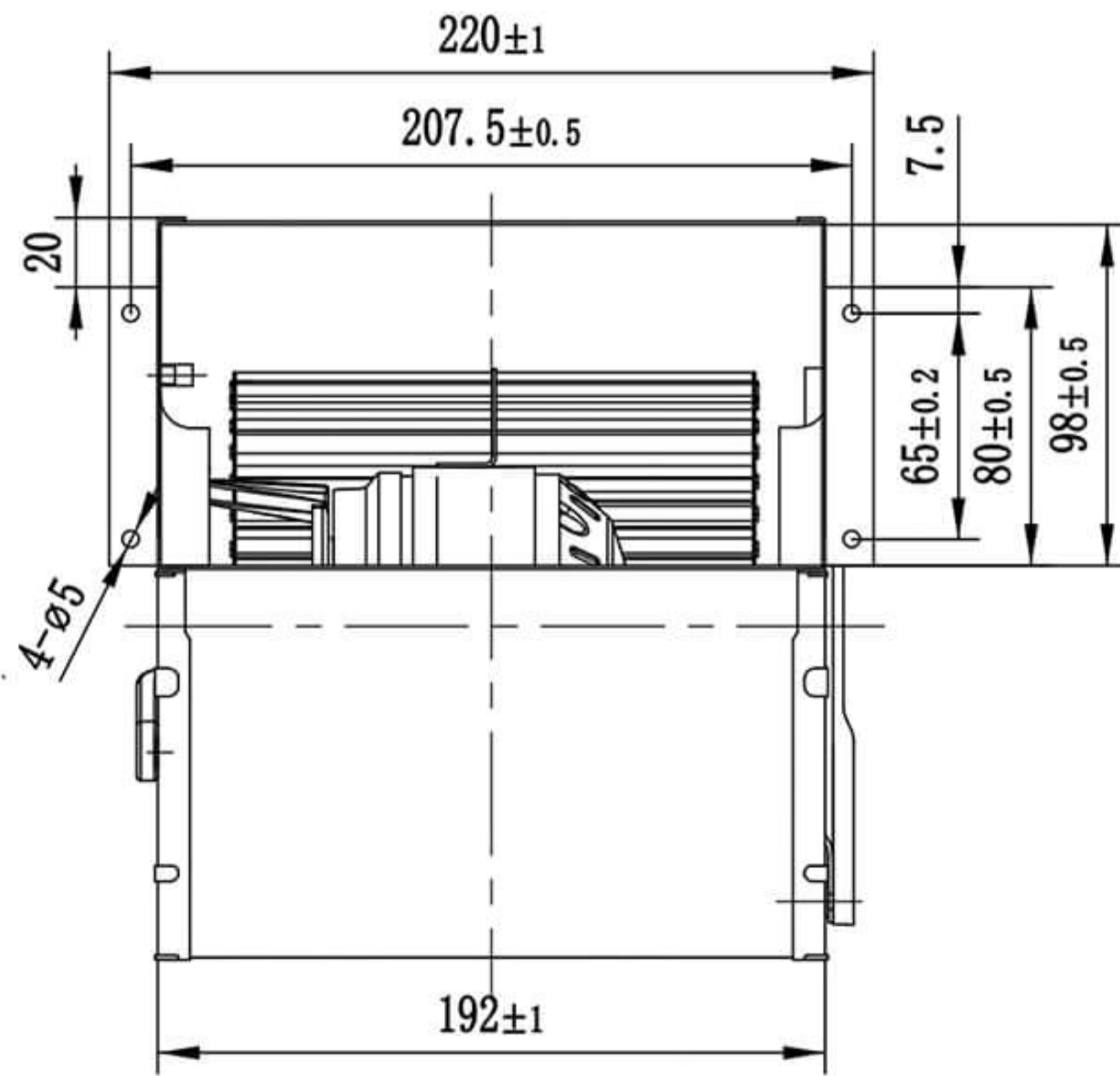


	Voltage V	Frequency Hz	Current A	Input Power W	Speed rpm	Capacitor µF	Air Flow m3/h / CFM	Noise dB(A)	Temperature Min / Max(°C)	Curve No. #	Approvals
BMF 146-150S-AE00	220/230	50	0.54	100	1200	3	750 / 441	52	-30 / +60	①	CCC ,CE,RoHS
		60	0.58	120	1250		810 / 476	53	-30 / +60	②	CCC ,CE,RoHS
BMF 146-150S-AE0A	110/120	60	1.0	130	1150	10	770 / 453	51	-30 / +60	③	UL,RoHS

146-150S Forward Centrifugal Fan

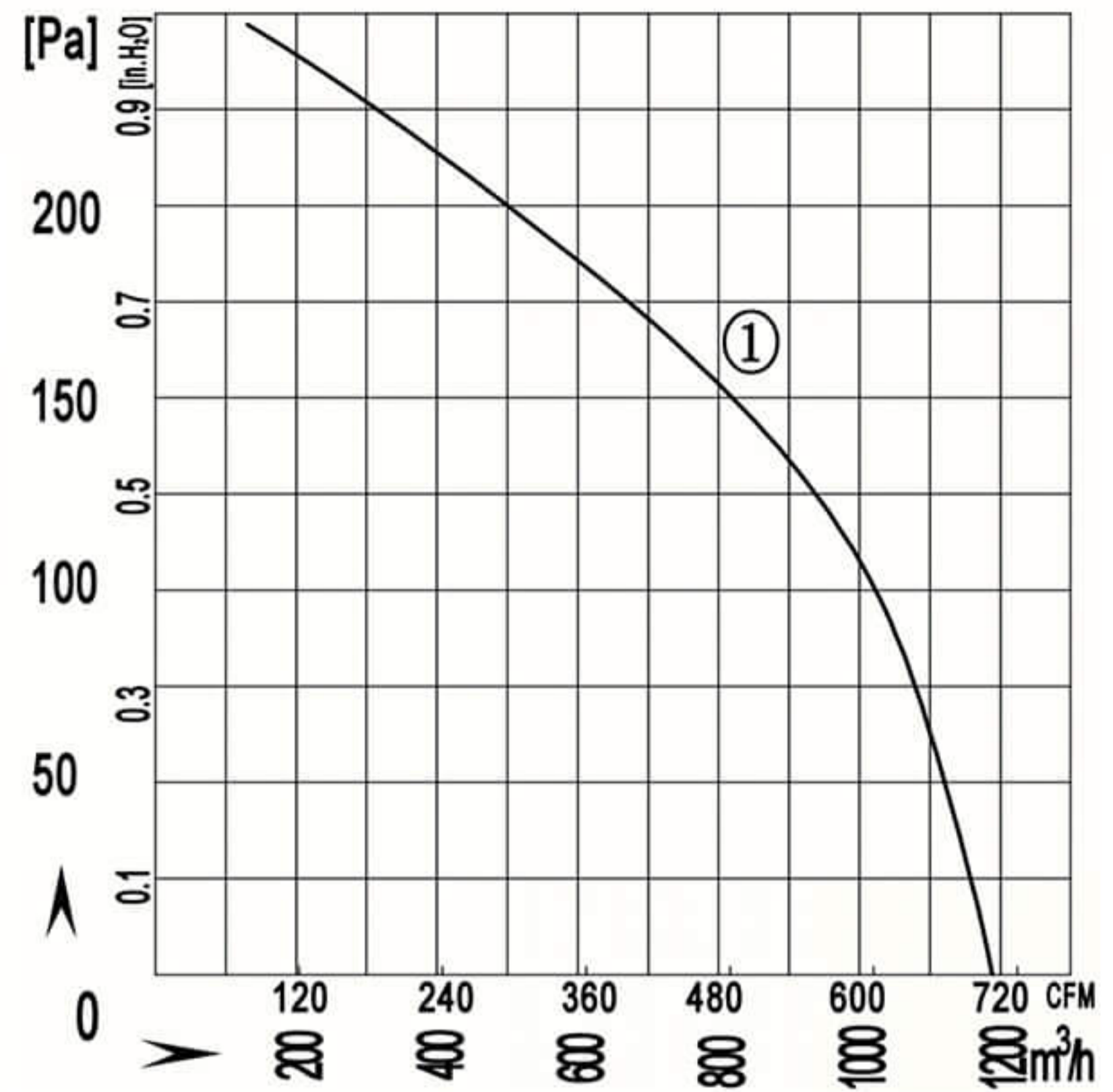


material: Galvanised sheet steel
 Protection Class: IP44
 Approvals: CCC CE
 Insulation class: F



	Voltage V	Frequency Hz	Current A	Input Power W	Speed rpm	Capacitor µF	Air Flow m3/h / CFM	Noise dB(A)	Temperature Min / Max(°C)	Curve No. #	Approvals
BMF 146-150S-AE00	220/230	50	0.54	100	1200	3	750 / 441	52	-30 / +60	①	CCC ,CE,RoHS
		60	0.58	120	1250		810 / 476	53	-30 / +60	②	CCC ,CE,RoHS
BMF 146-150S-AE0A	110/120	60	1.0	130	1150	10	770 / 453	51	-30 / +60	③	UL,RoHS

180-185S Forward Centrifugal Fan

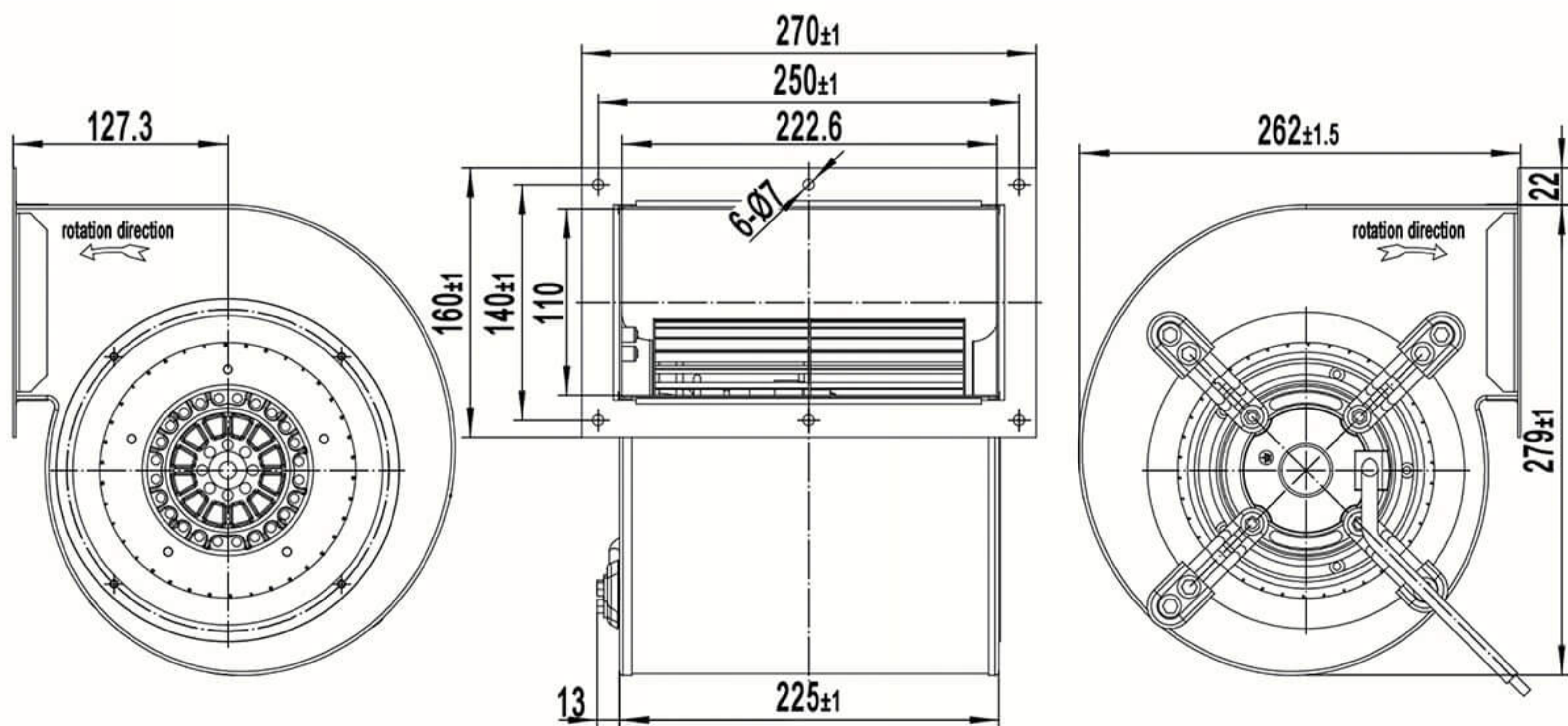


material: Galvanised sheet steel

Protection Class: IP44

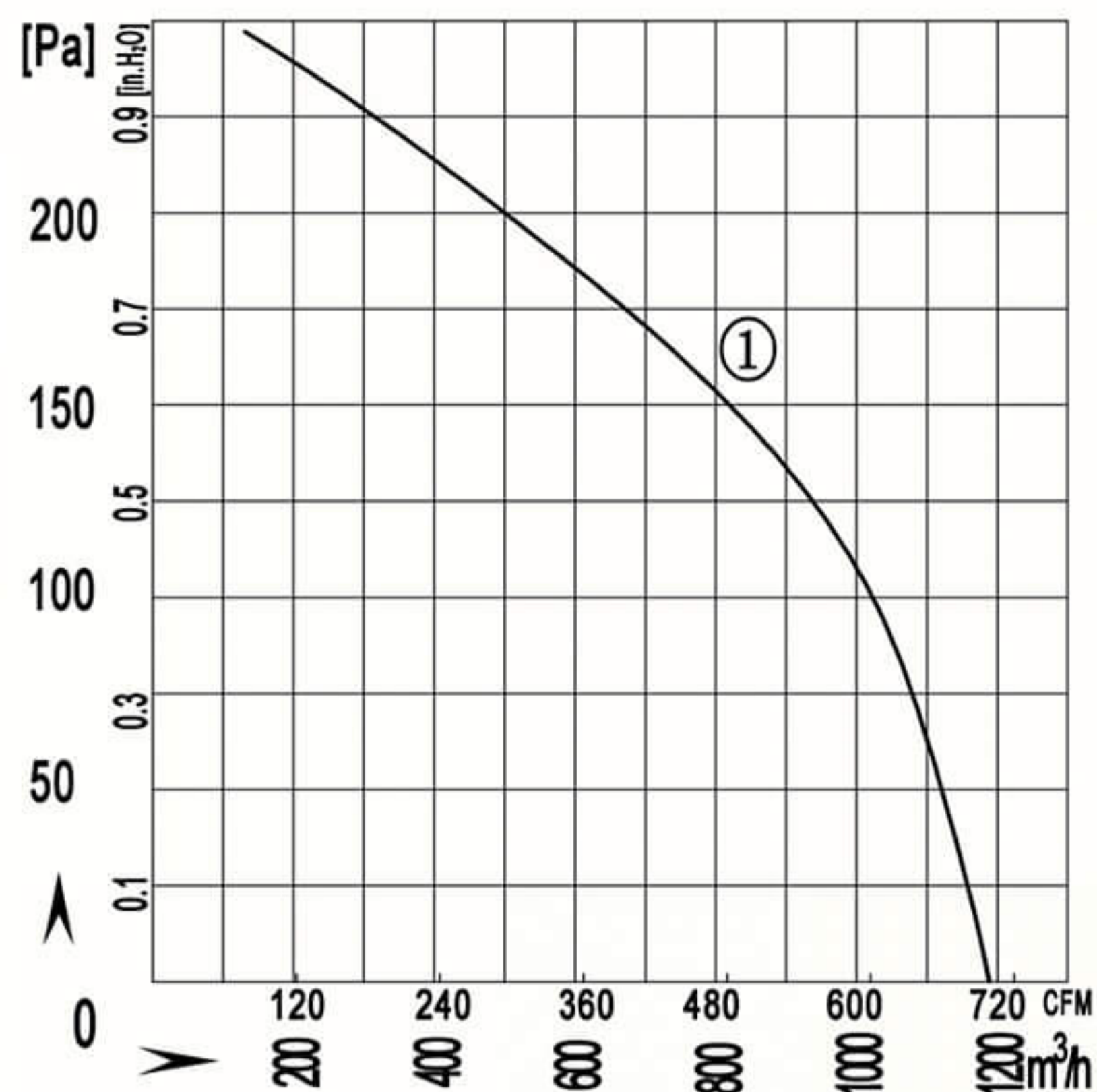
Approvals: CCC CE

Insulation class: F



	Voltage V	Frequency Hz	Current A	Input Power W	Speed rpm	Capacitor µF	Air Flow m3/h / CFM	Noise dB(A)	Temperature Min / Max(°C)	Curve No. #	Approvals
BMF 180-185S-AL00	220/230	50	0.92	200	1250	4	1170 / 688	63	-30 / +60	①	CCC, CE, RoHS

180-185S Forward Centrifugal Fan

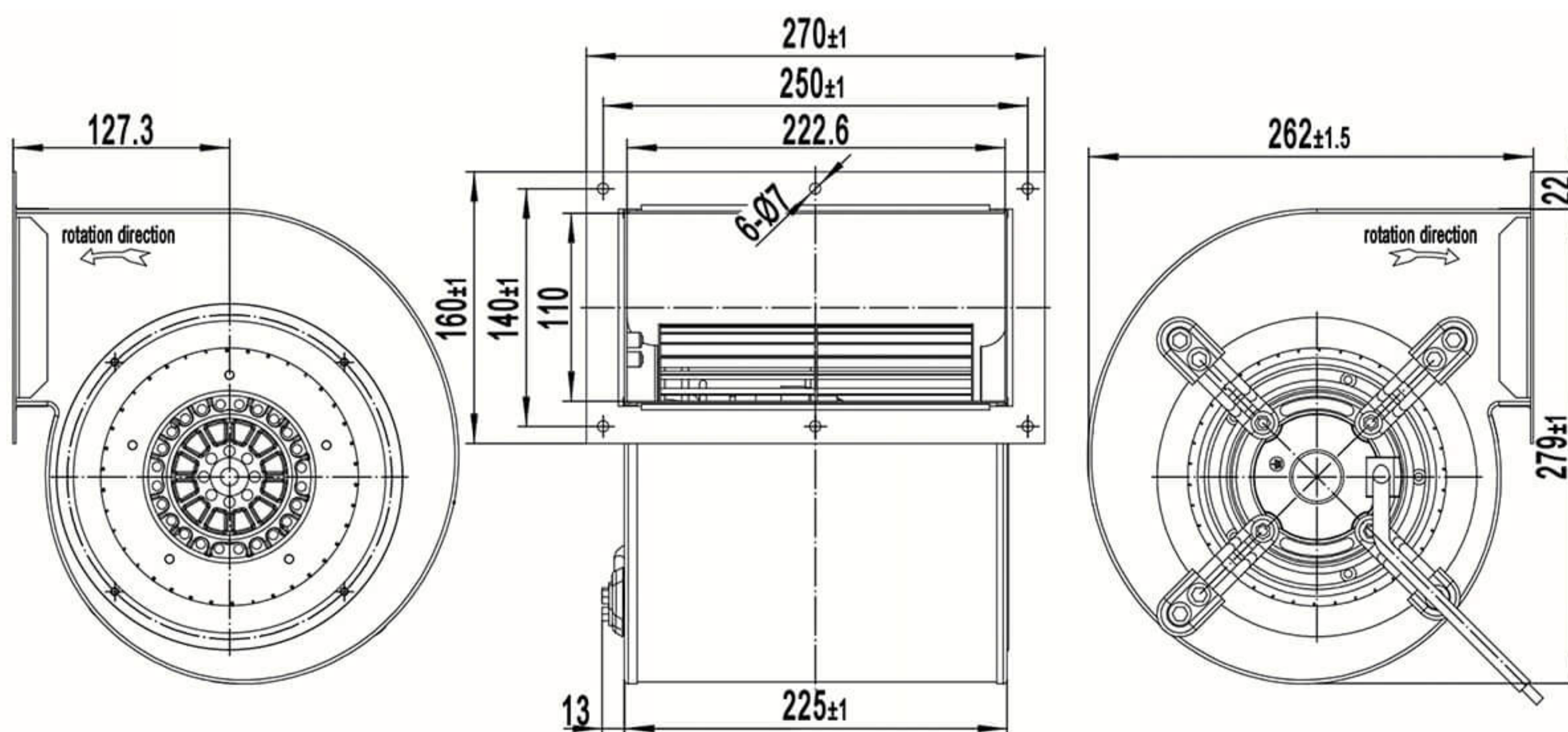


material: Galvanised sheet steel

Protection Class: IP44

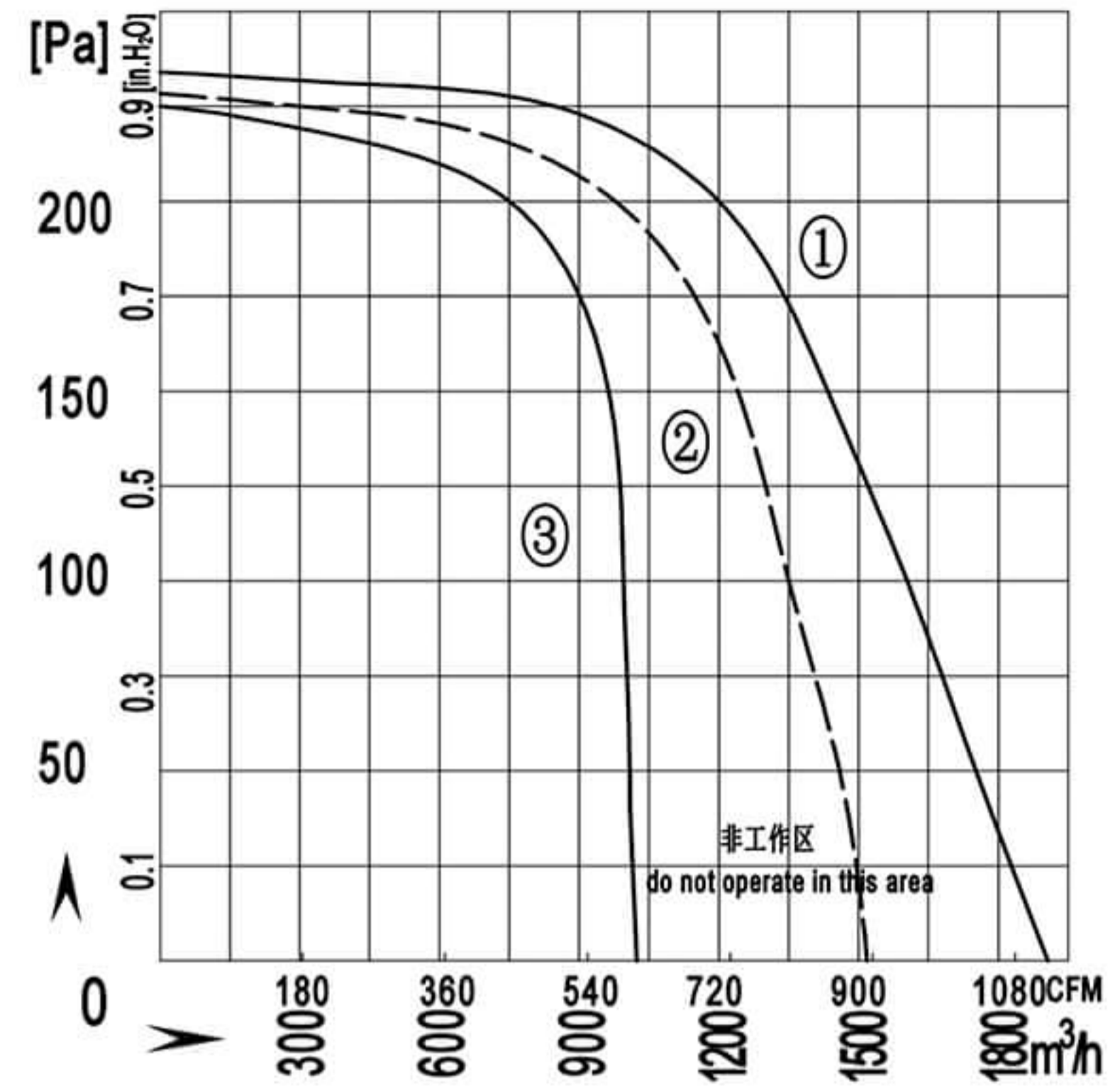
Approvals: CCC CE

Insulation class: F

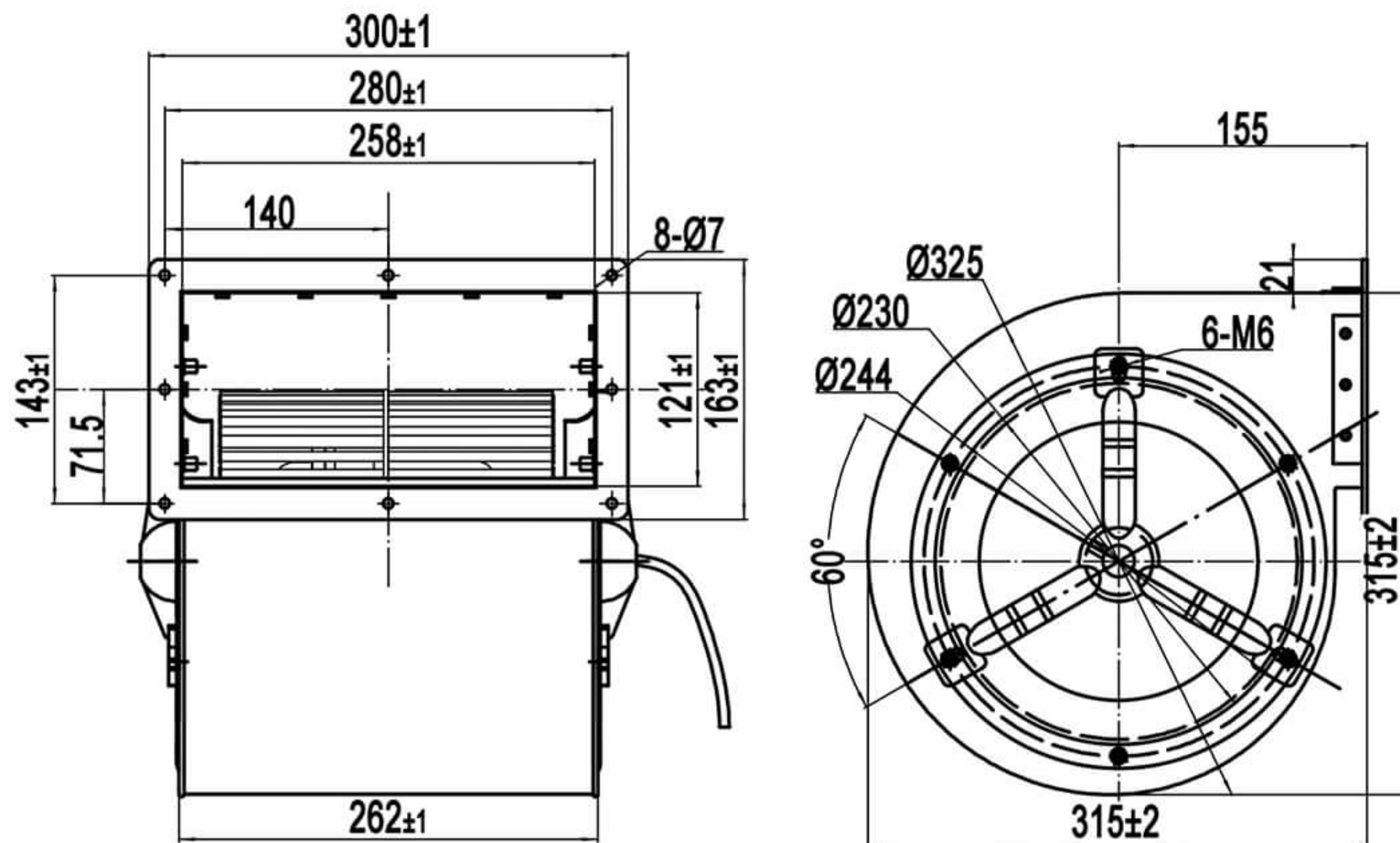


	Voltage V	Frequency Hz	Current A	Input Power W	Speed rpm	Capacitor µF	Air Flow m³/h / CFM	Noise dB(A)	Temperature Min / Max(°C)	Curve No. #	Approvals
BMF 180-185S-AL00	220/230	50	0.92	200	1250	4	1170 / 688	63	-30 / +60	①	CCC,CE,RoHS

200-185S Forward Centrifugal Fan

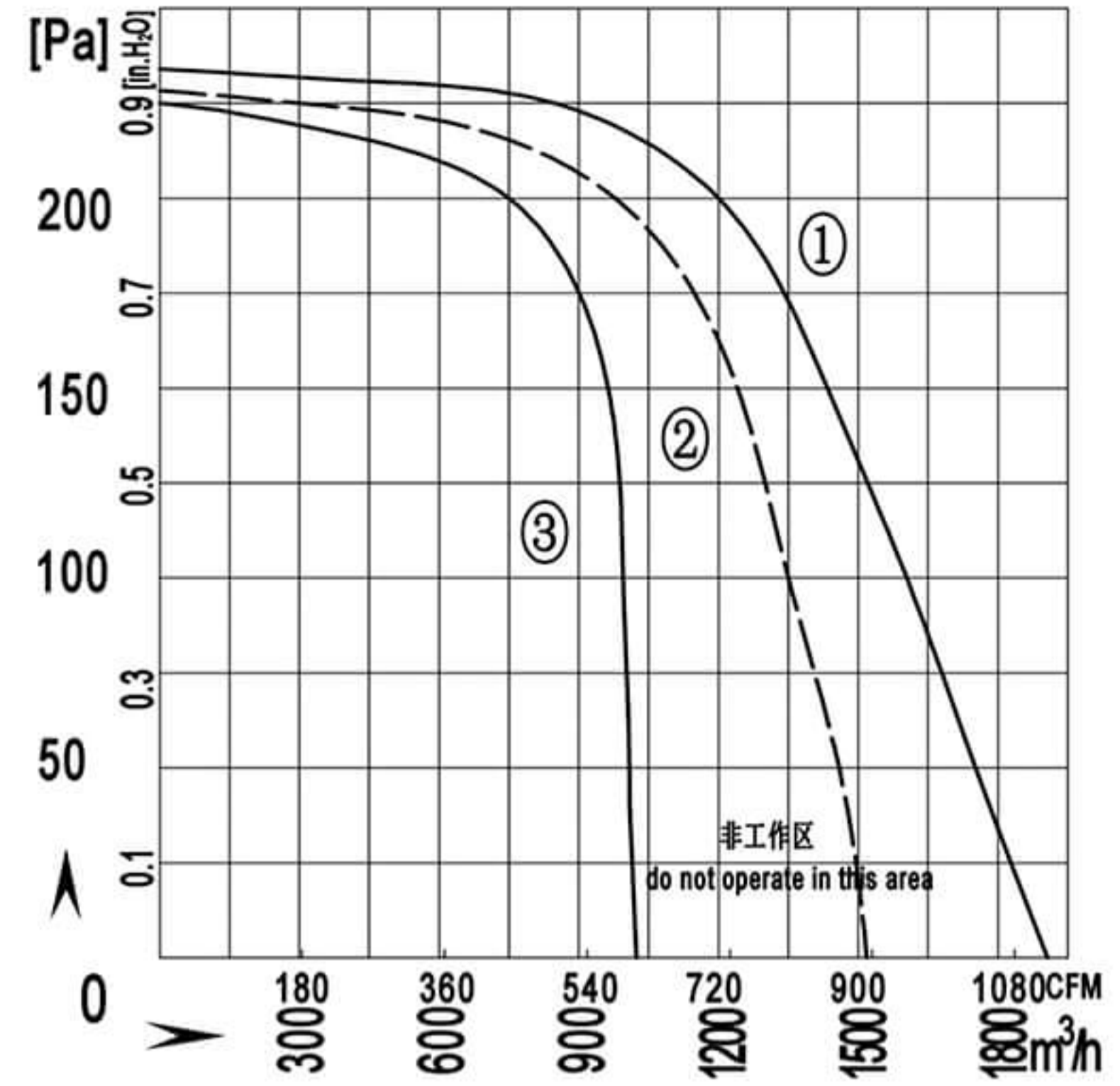


material: Galvanised sheet steel
 Protection Class: IP54
 Approvals: CCC CE
 Insulation class: F

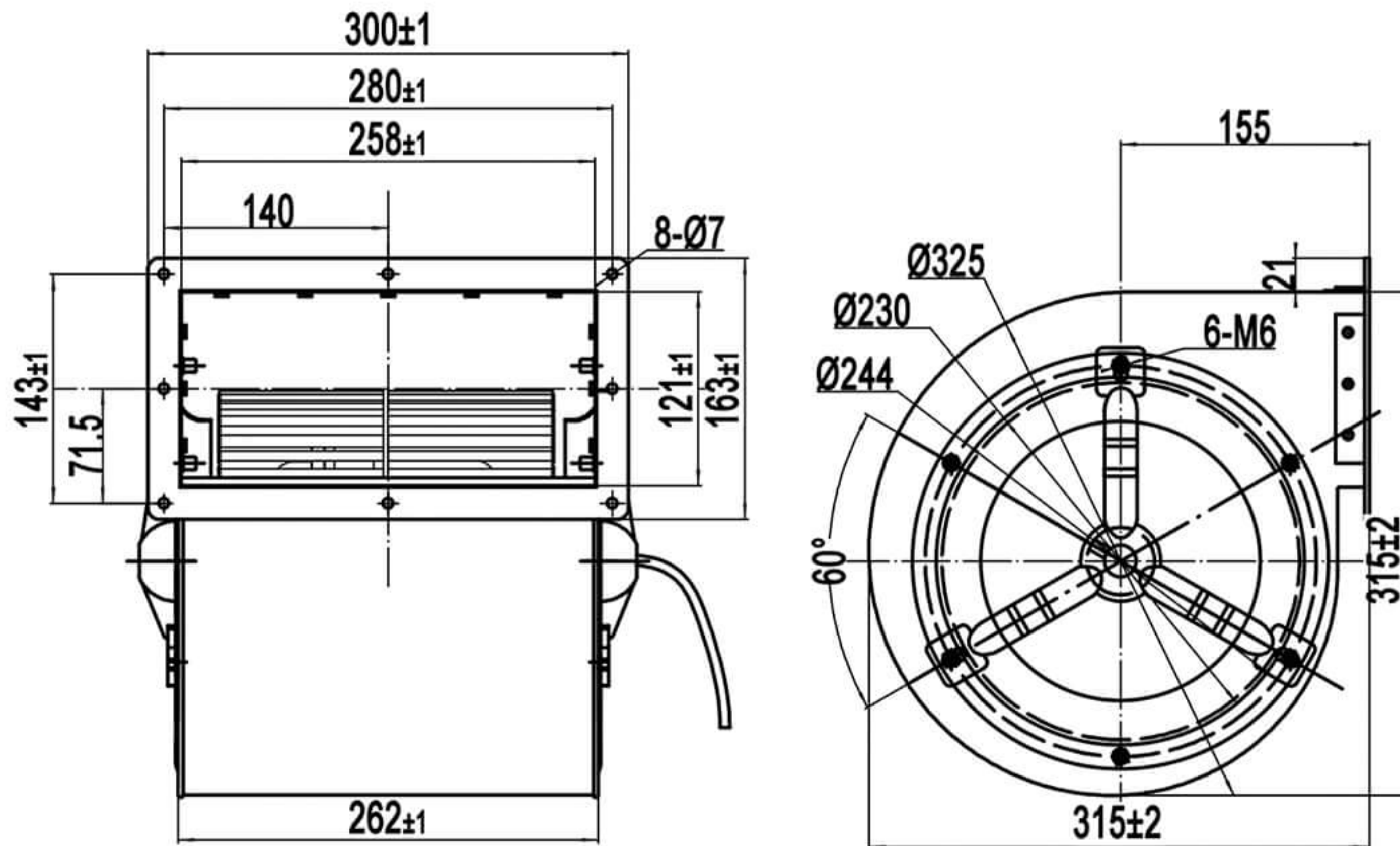


	Voltage V	Frequency Hz	Current A	Input Power W	Speed rpm	Capacitor µF	Air Flow m³/h / CFM	Noise dB(A)	Temperature Min / Max(°C)	Curve No. #	Approvals
BMF 200-185S-TS00	220/230	50	1.8	360	1400	10	1900/1117	70	-30 / +60	①	CCC ,CE,RoHS
			1.5	311	1160		1500/882	65	-30 / +60	②	CCC ,CE,RoHS
			1.3	235	910		1000/588	59	-30 / +60	③	CCC ,CE,RoHS

200-185S Forward Centrifugal Fan

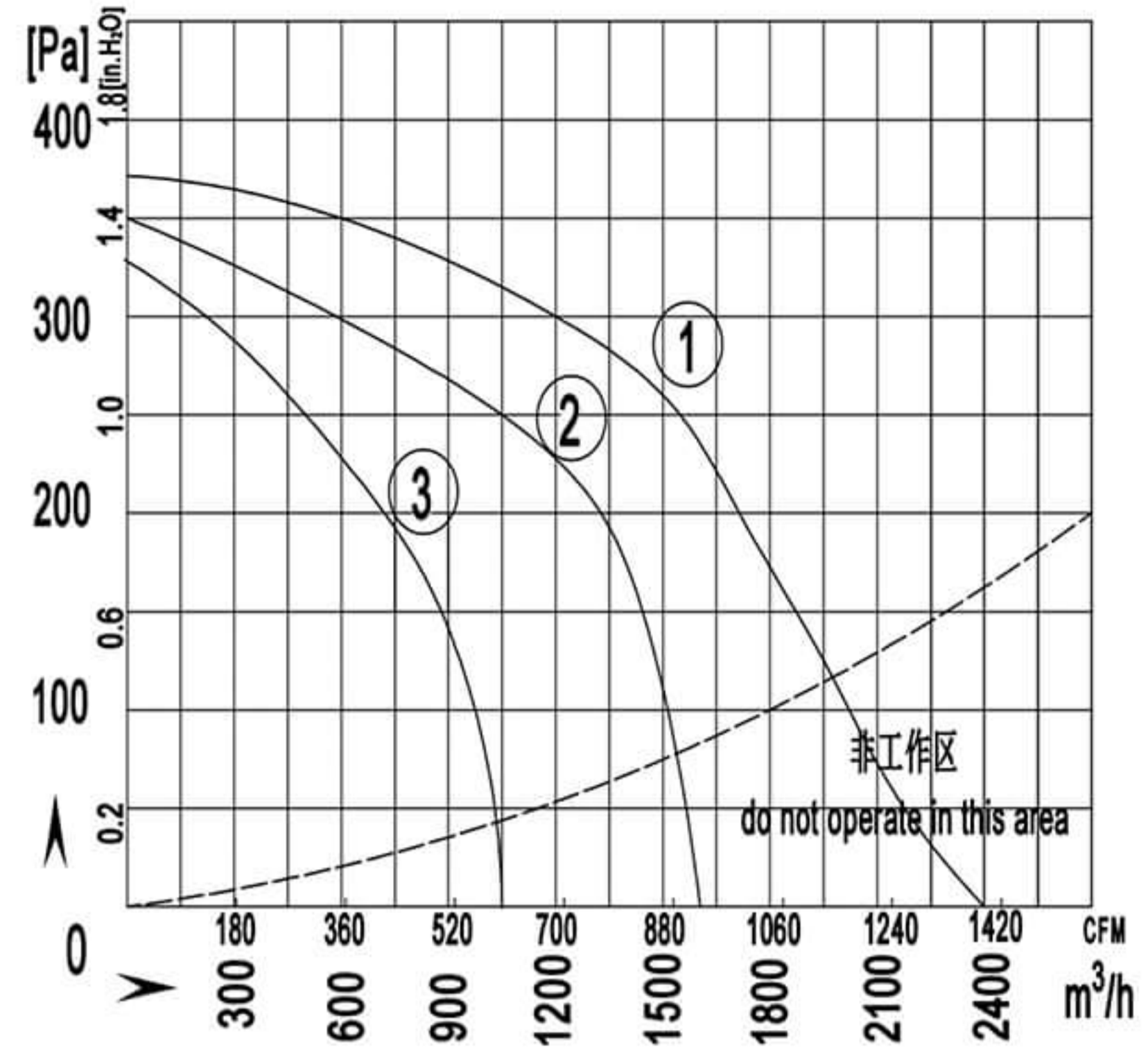


material: Galvanised sheet steel
 Protection Class: IP54
 Approvals: CCC CE
 Insulation class: F

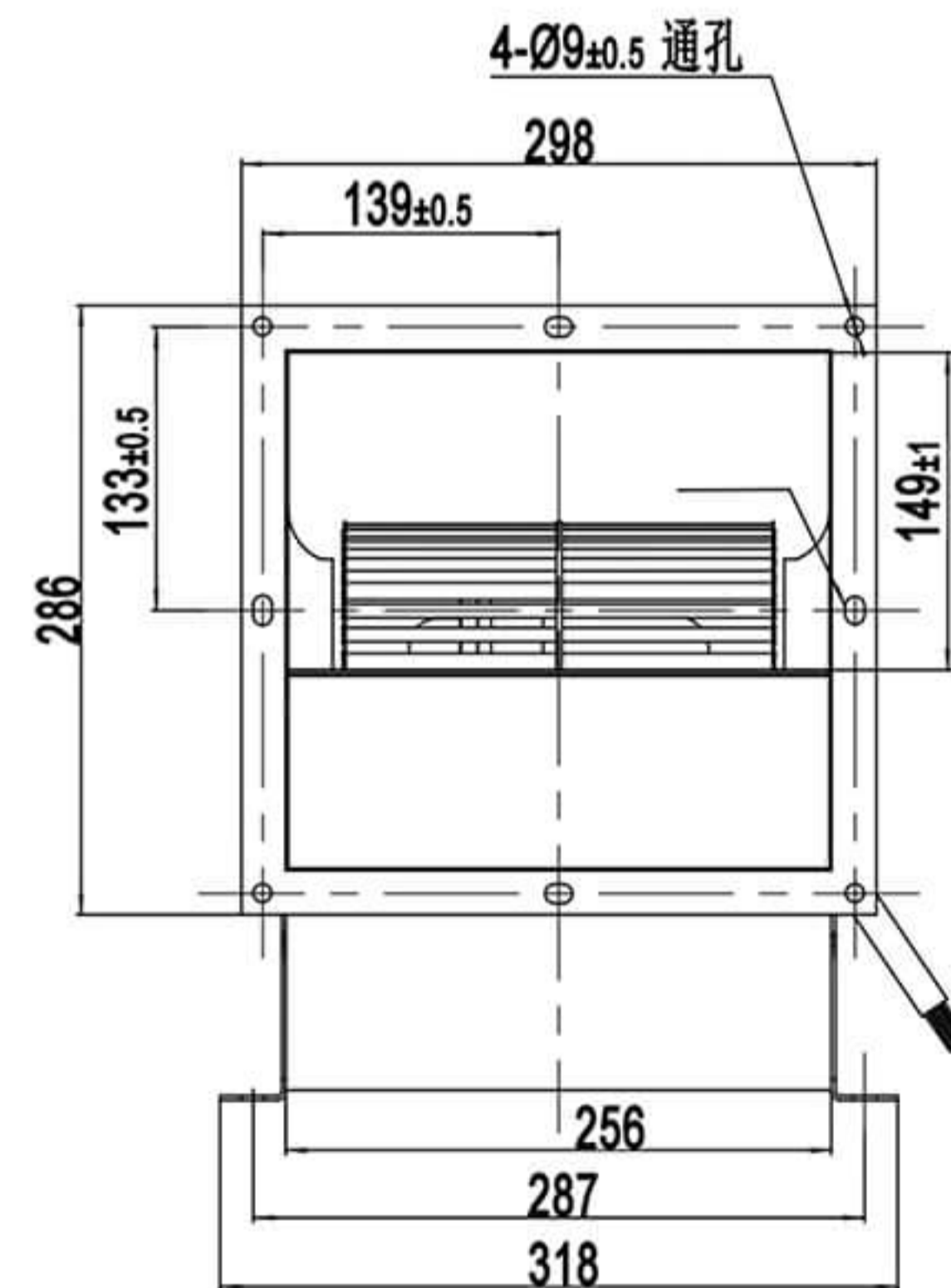
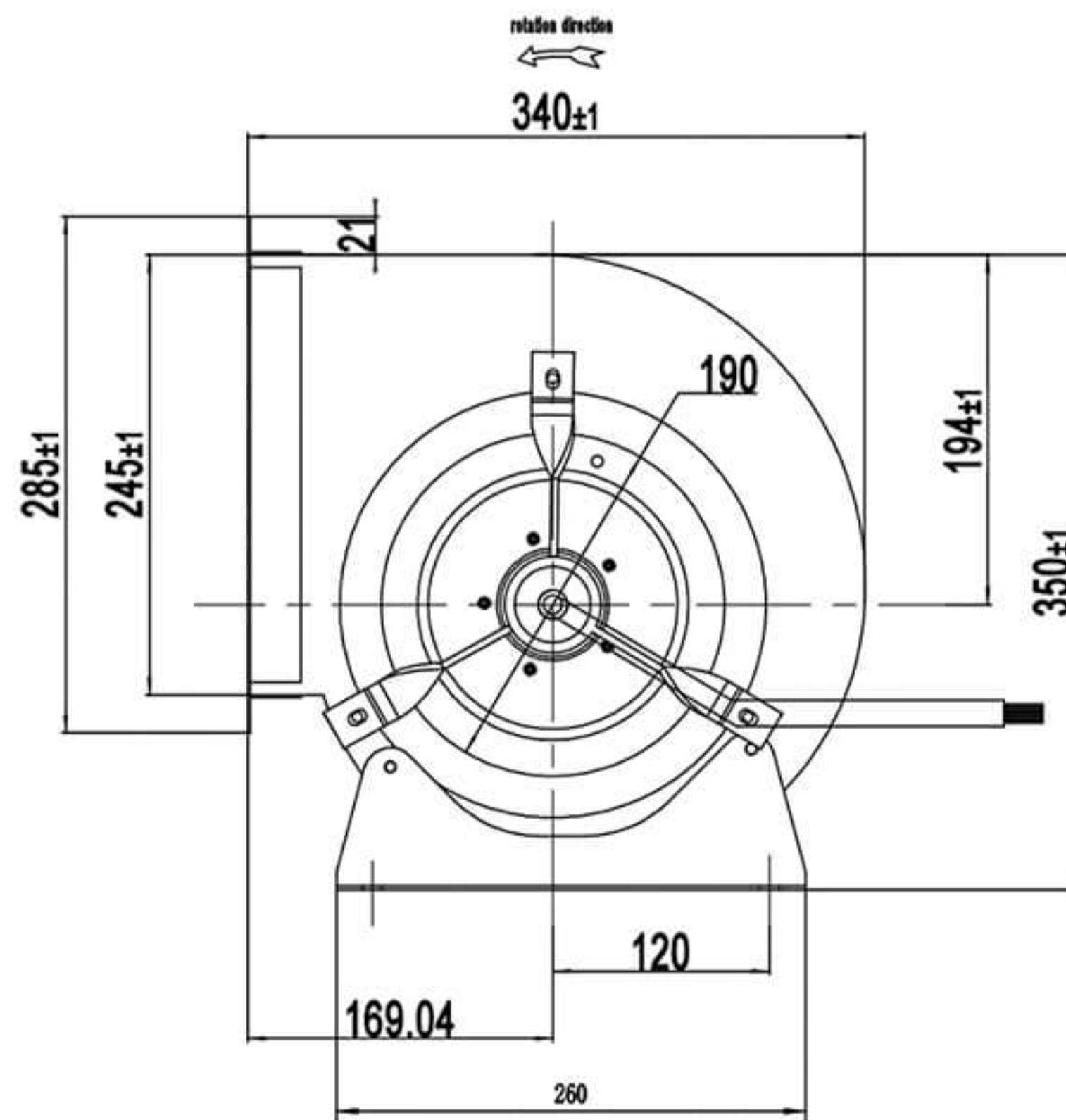


	Voltage V	Frequency Hz	Current A	Input Power W	Speed rpm	Capacitor µF	Air Flow m³/h / CFM	Noise dB(A)	Temperature Min / Max(°C)	Curve No. #	Approvals
BMF 200-185S-TS00	220/230	50	1.8	360	1400	10	1900/1117	70	-30 / +60	①	CCC ,CE,RoHS
			1.5	311	1160		1500/882	65	-30 / +60	②	CCC ,CE,RoHS
			1.3	235	910		1000/588	59	-30 / +60	③	CCC ,CE,RoHS

225-190S Forward Centrifugal Fan

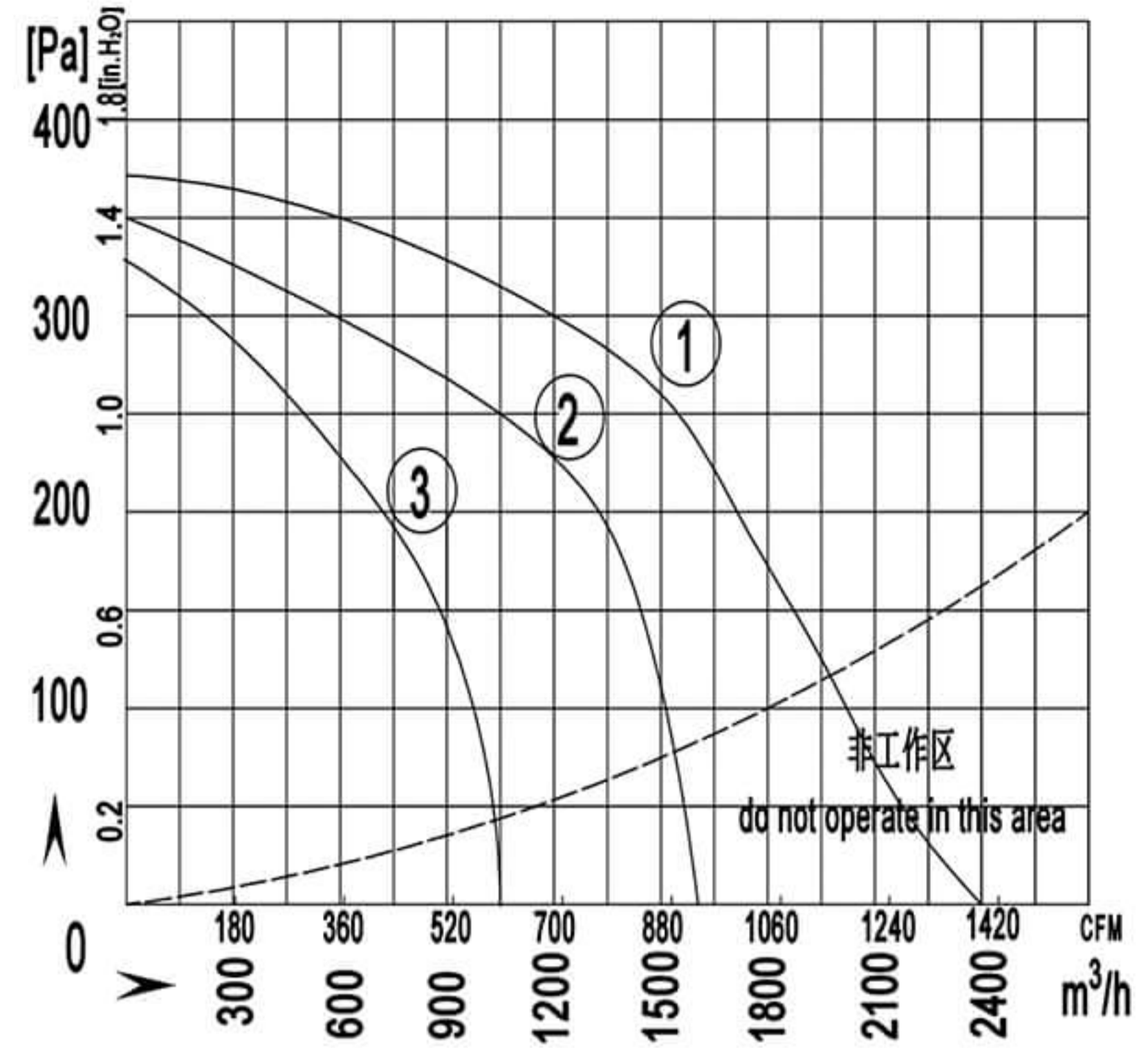


material: Galvanised sheet steel
 Protection Class: IP54
 Approvals: CCC CE
 Insulation class: F

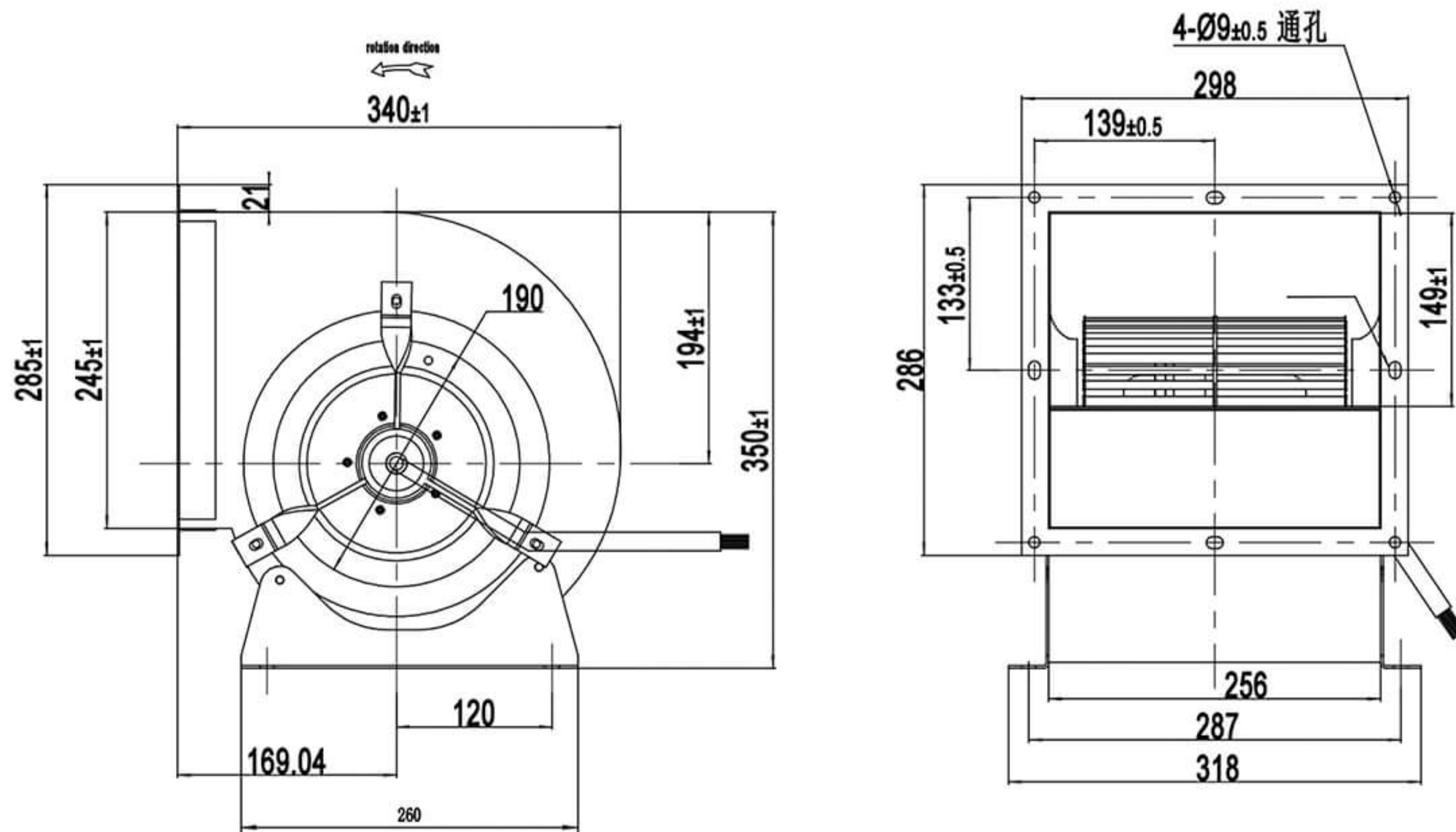


	Voltage V	Frequency Hz	Current A	Input Power W	Speed rpm	Capacitor µF	Air Flow m ³ /h / CFM	Noise dB(A)	Temperature Min / Max(°C)	Curve No. #	Approvals
BMF 225-190S-TS00	220/230	50	2.6	550	1300	12	2400/1411	73	-30 / +60	①	CCC ,CE,RoHS
			1.8	350	950		1600/950	60	-30 / +60	②	CCC ,CE,RoHS
			1.4	250	500		1100/550	48	-30 / +60	③	CCC ,CE,RoHS

225-190S Forward Centrifugal Fan

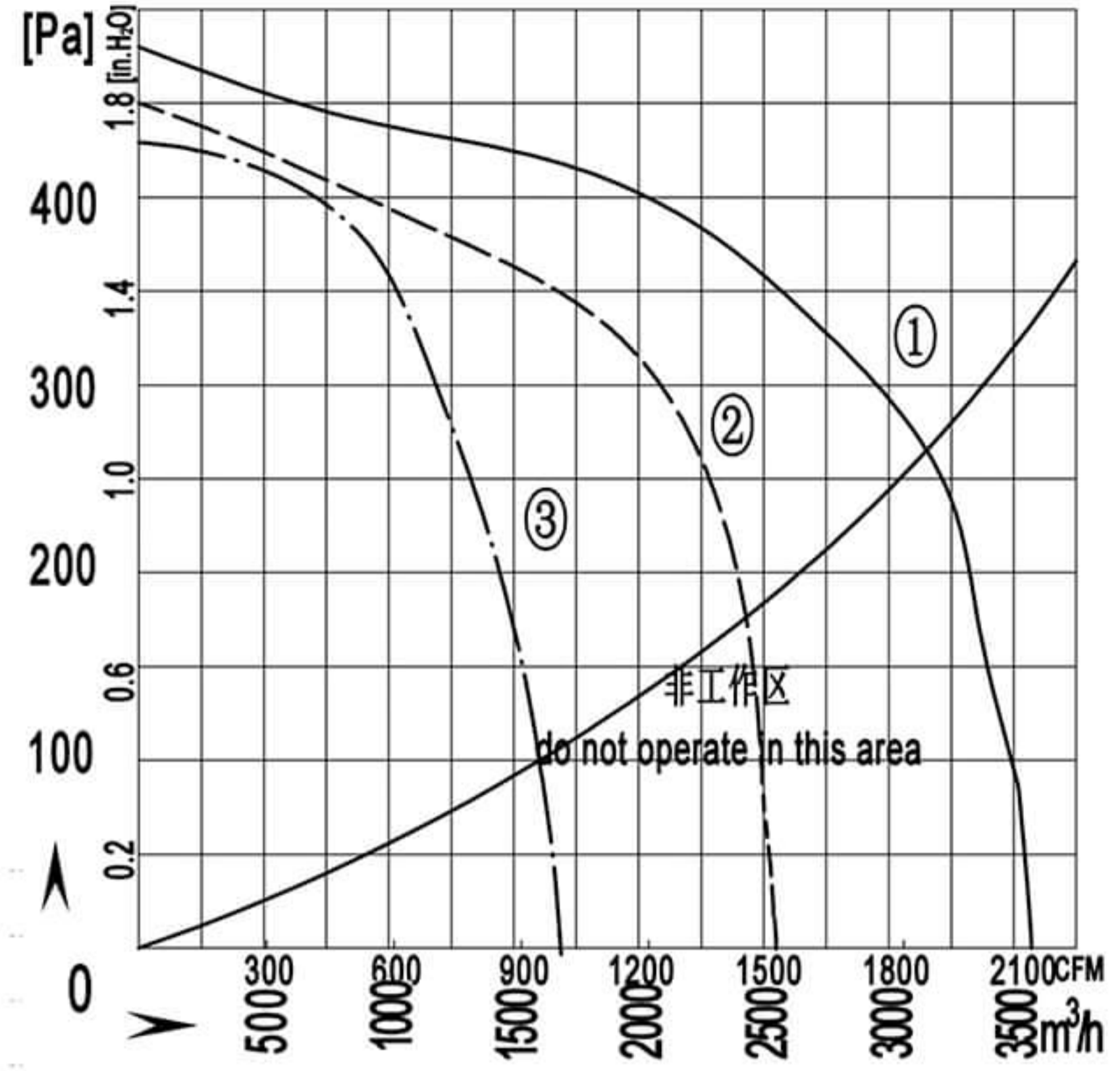


material: Galvanised sheet steel
 Protection Class: IP54
 Approvals: CCC CE
 Insulation class: F

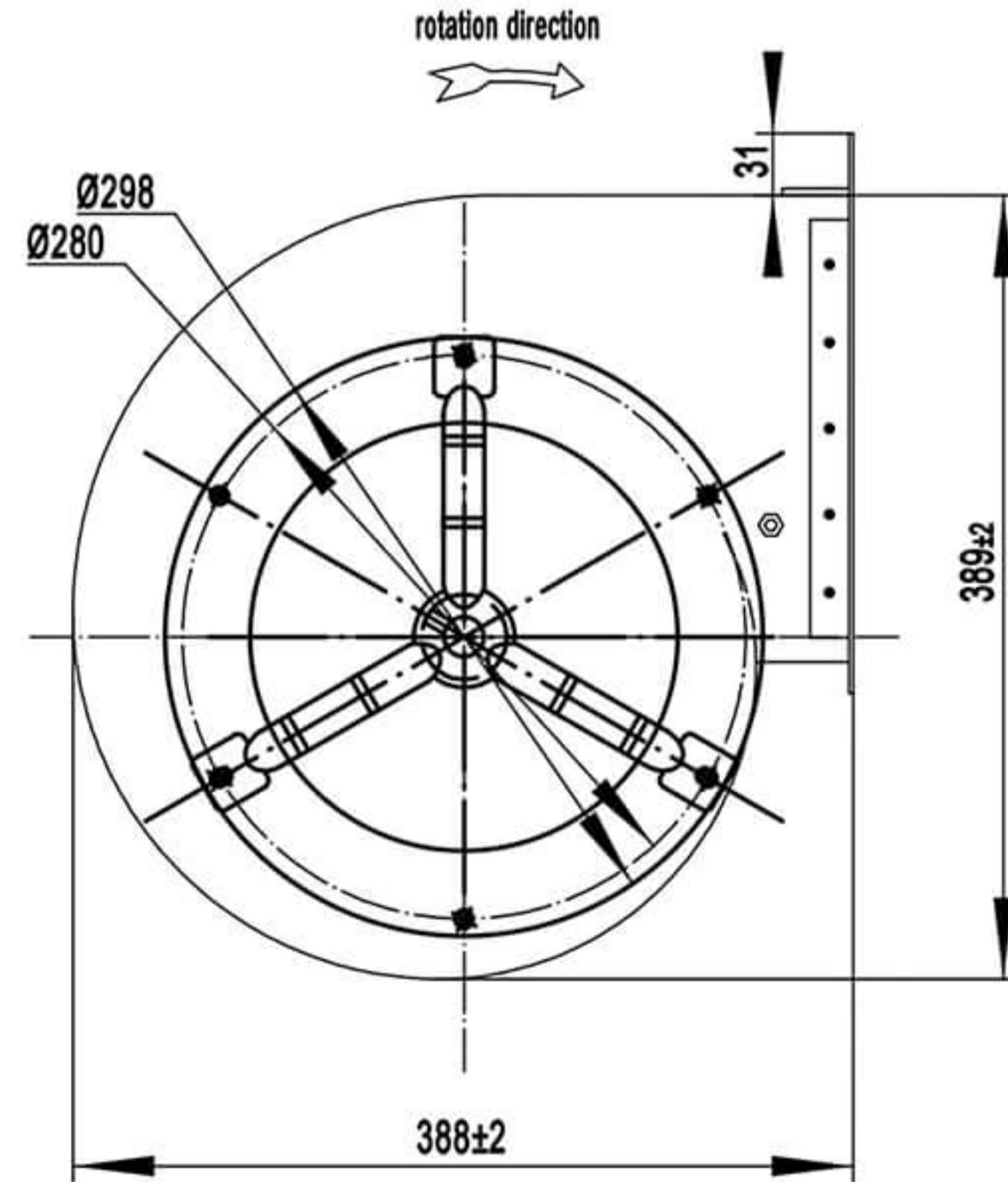
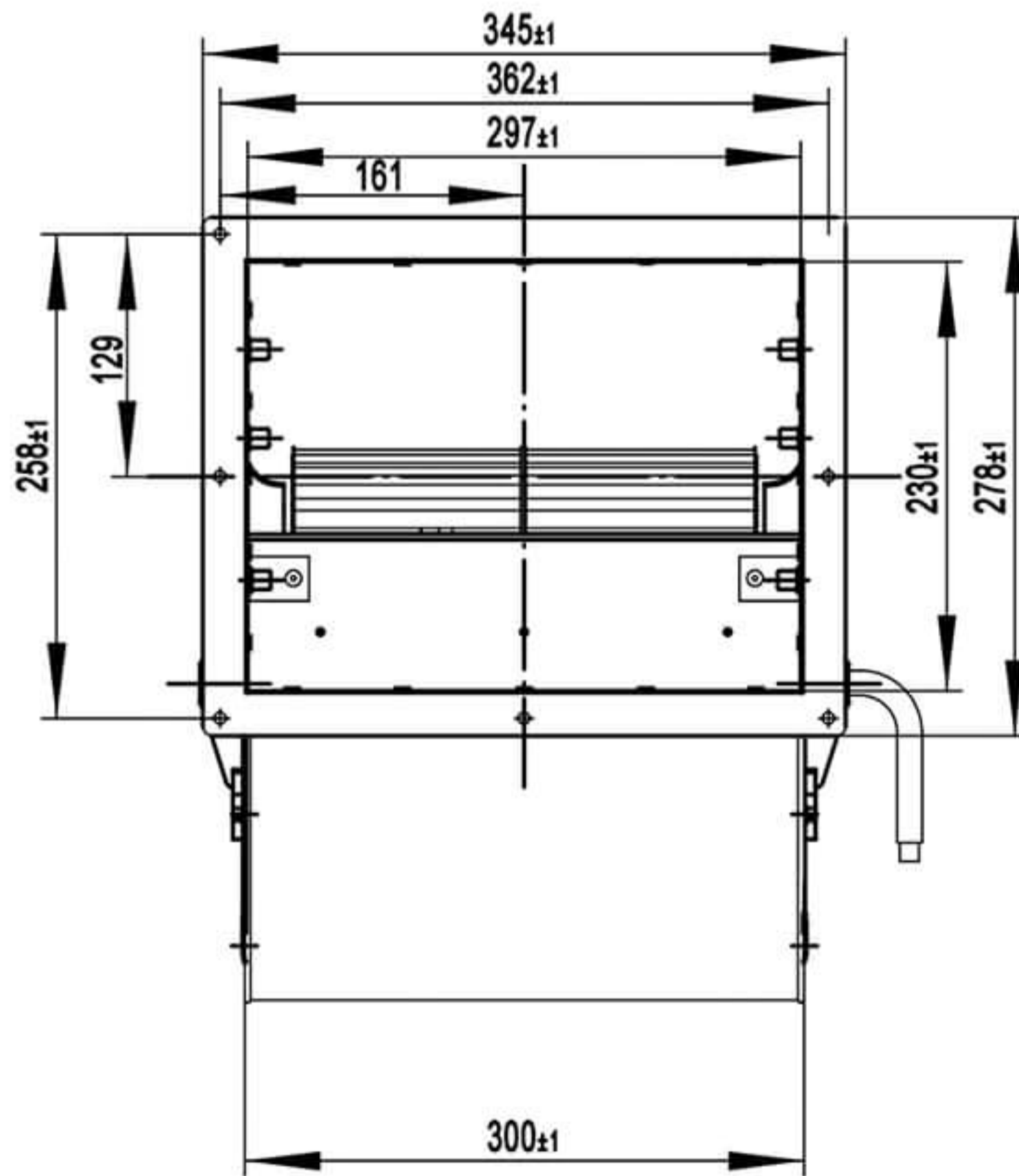


	Voltage V	Frequency Hz	Current A	Input Power W	Speed rpm	Capacitor µF	Air Flow m³/h / CFM	Noise dB(A)	Temperature Min / Max(°C)	Curve No. #	Approvals
BMF 225-190S-TS00	220/230	50	2.6	550	1300	12	2400/1411	73	-30 / +60	①	CCC ,CE,RoHS
			1.8	350	950		1600/950	60	-30 / +60	②	CCC ,CE,RoHS
			1.4	250	500		1100/550	48	-30 / +60	③	CCC ,CE,RoHS

250-250S Forward Centrifugal Fan

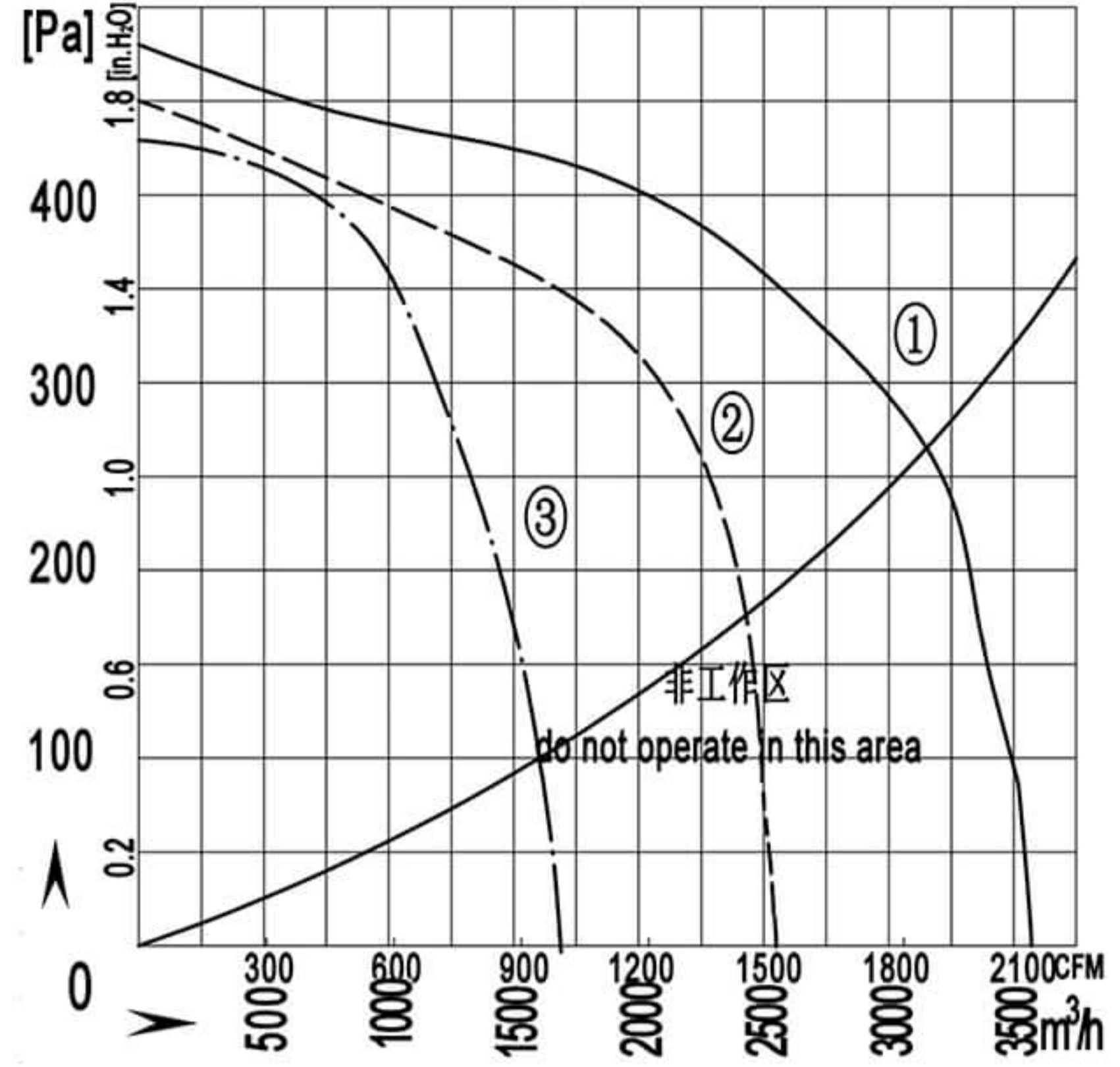


material: Galvanised sheet steel
 Protection Class: IP54
 Approvals: CCC CE
 Insulation class: F

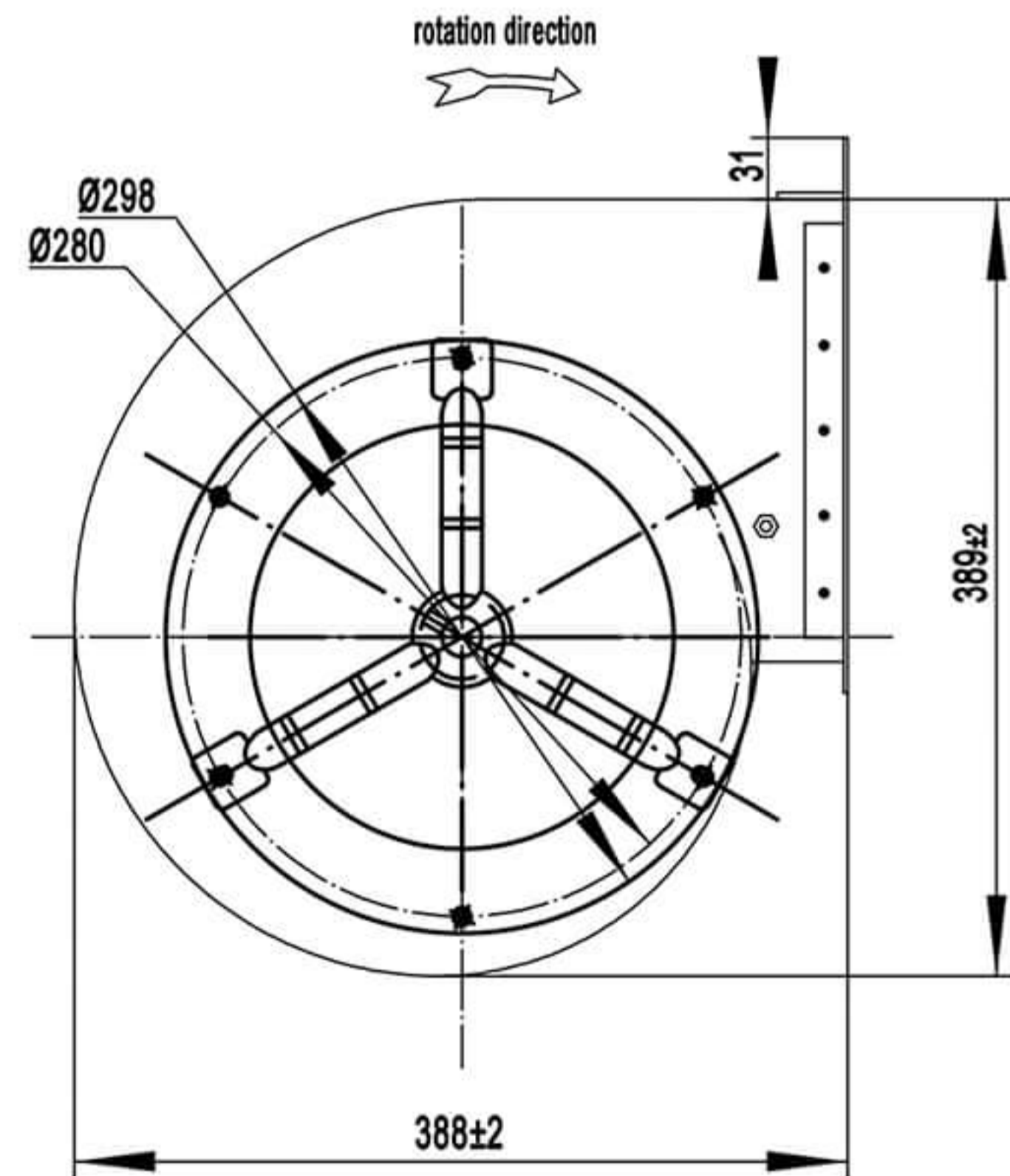
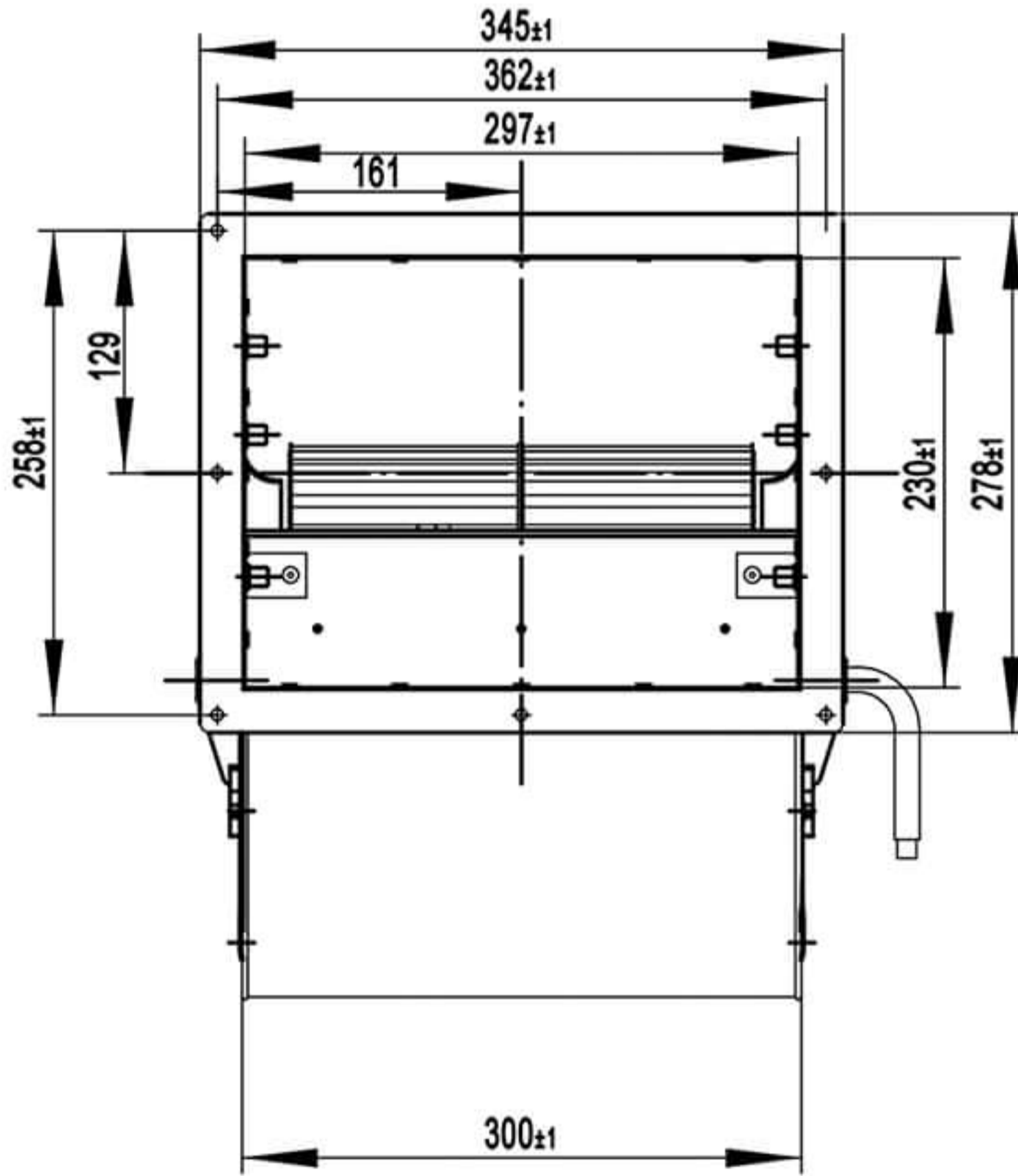


	Voltage V	Frequency Hz	Current A	Input Power W	Speed rpm	Capacitor µF	Air Flow m ³ /h / CFM	Noise dB(A)	Temperature Min / Max(°C)	Curve No. #	Approvals
BMF 250-250S-TT00	220/230	50	3.8	780	1360	16	3600/2117	74	-30 / +60	①	CCC ,CE,RoHS
			3.2	660	1150		2500/1470	70	-30 / +60	②	CCC ,CE,RoHS
			2.6	500	980		1600/941	65	-30 / +60	③	CCC ,CE,RoHS

250-250S Forward Centrifugal Fan



material: Galvanised sheet steel
 Protection Class: IP54
 Approvals: CCC CE
 Insulation class: F



	Voltage V	Frequency Hz	Current A	Input Power W	Speed rpm	Capacitor µF	Air Flow m ³ /h / CFM	Noise dB(A)	Temperature Min / Max(°C)	Curve No. #	Approvals
BMF 250-250S-TT00	220/230	50	3.8	780	1360	16	3600/2117	74	-30 / +60	①	CCC ,CE,RoHS
			3.2	660	1150		2500/1470	70	-30 / +60	②	CCC ,CE,RoHS
			2.6	500	980		1600/941	65	-30 / +60	③	CCC ,CE,RoHS