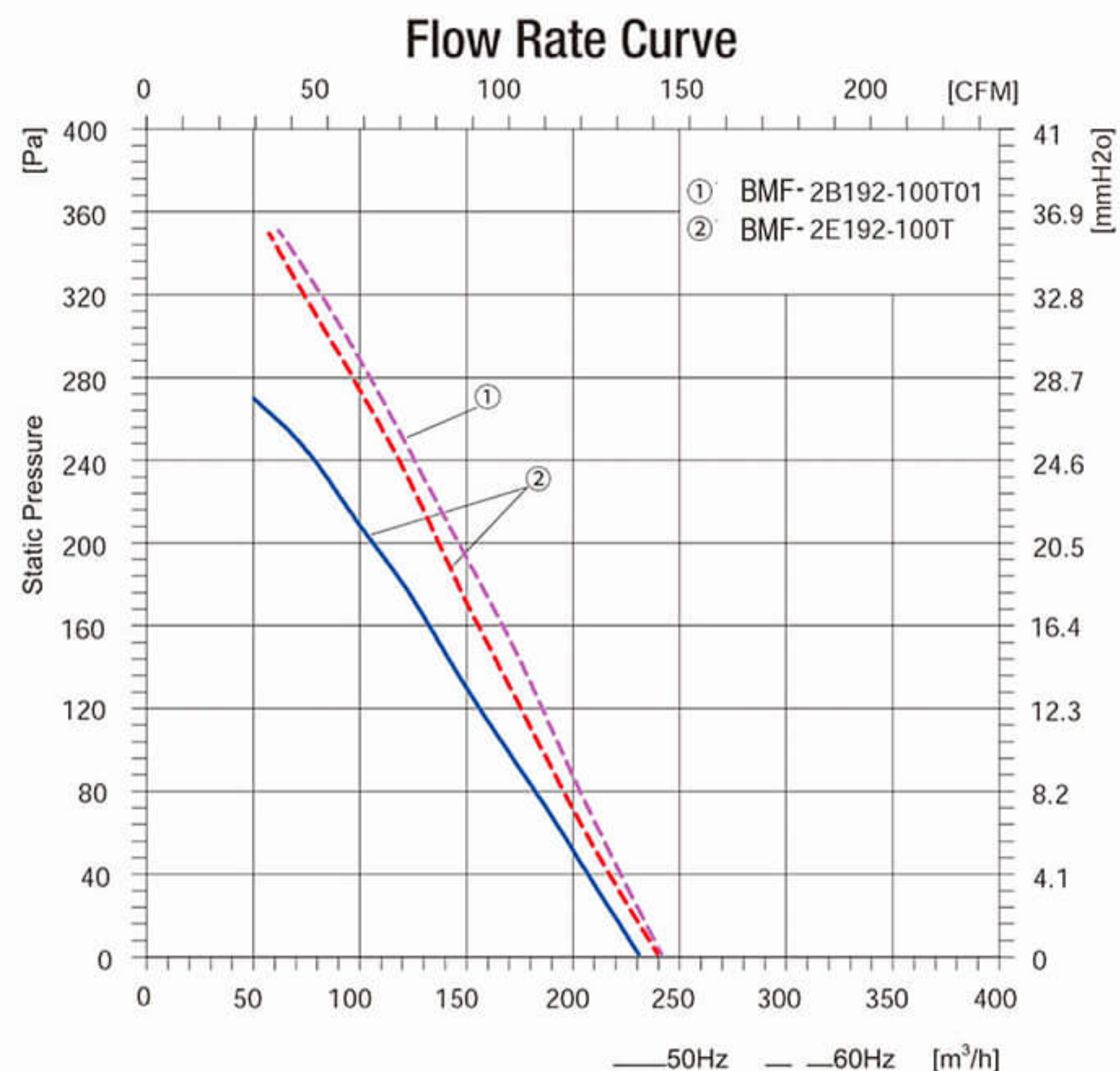
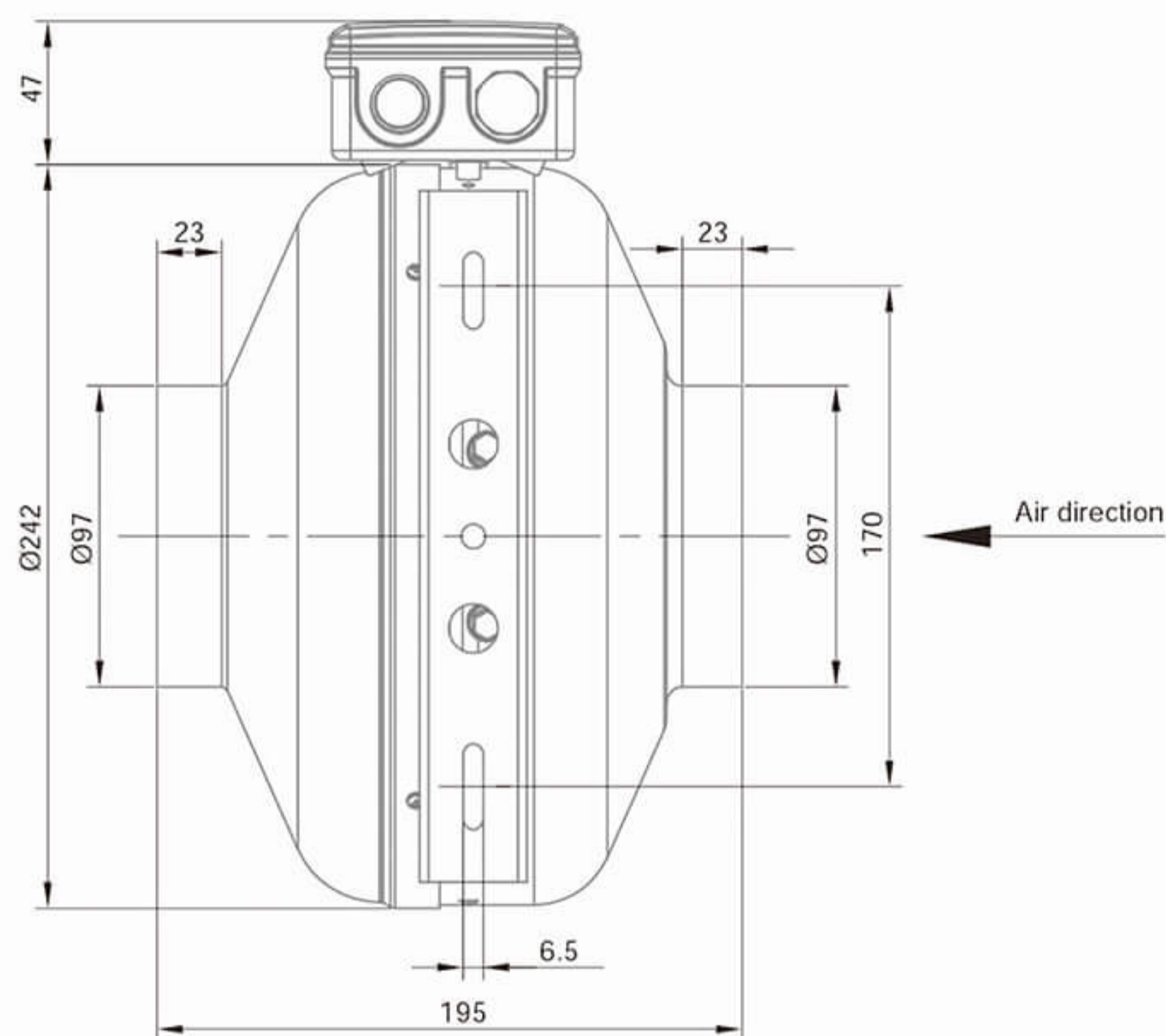
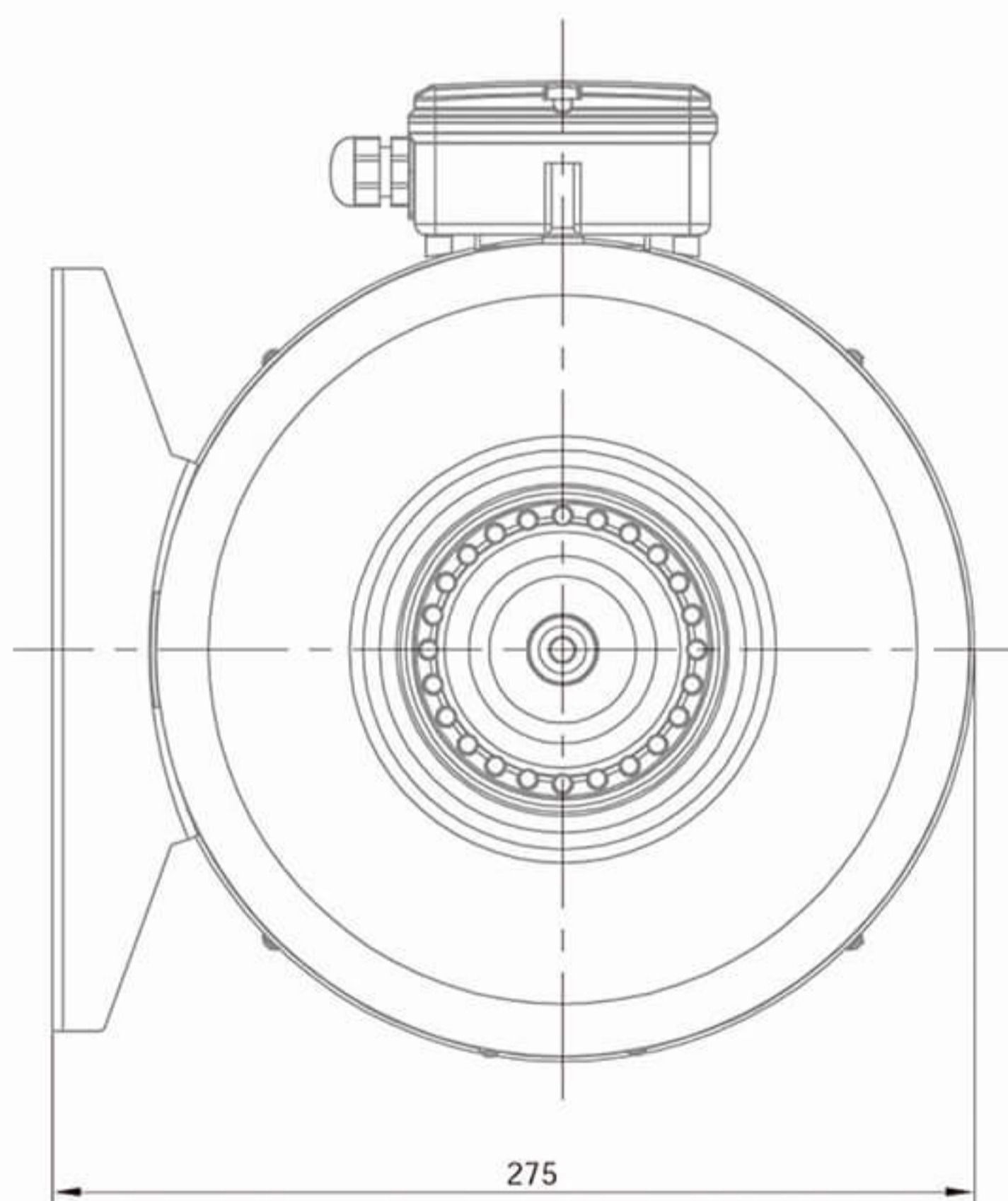


AC Circular Duct Fans $\Phi 192$ T100



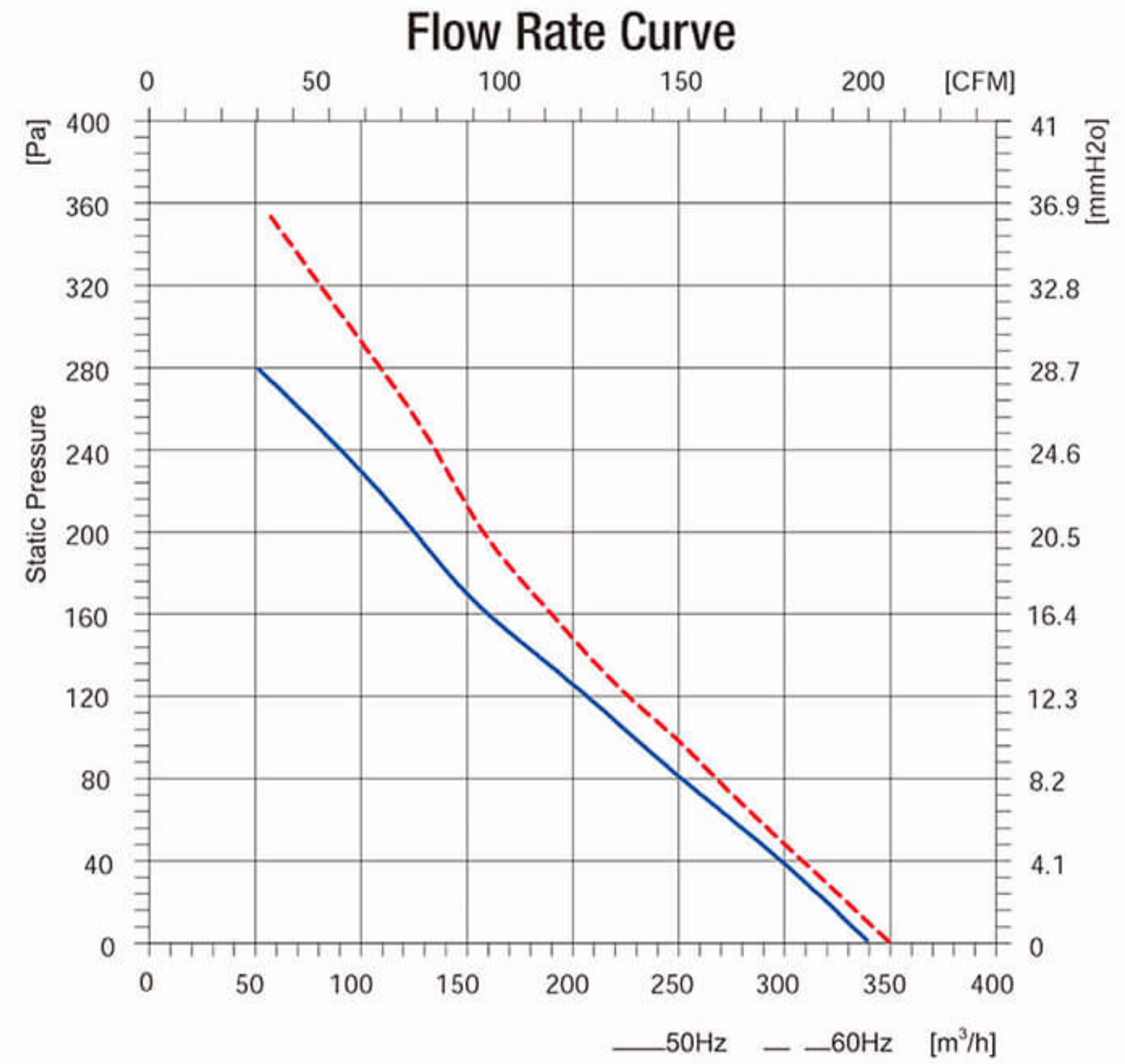
Product Characteristic

Motor technology: AC Outer rotor
 Mode of Operation: S1
 Protection Class: IP54
 Insulation Class: F
 Bearings: Maintenance-free ball bearings
 Impeller Material: Plastic
 Housing Material: Galvanised sheet steel
 Rotation: C.C.W, seen on the leads



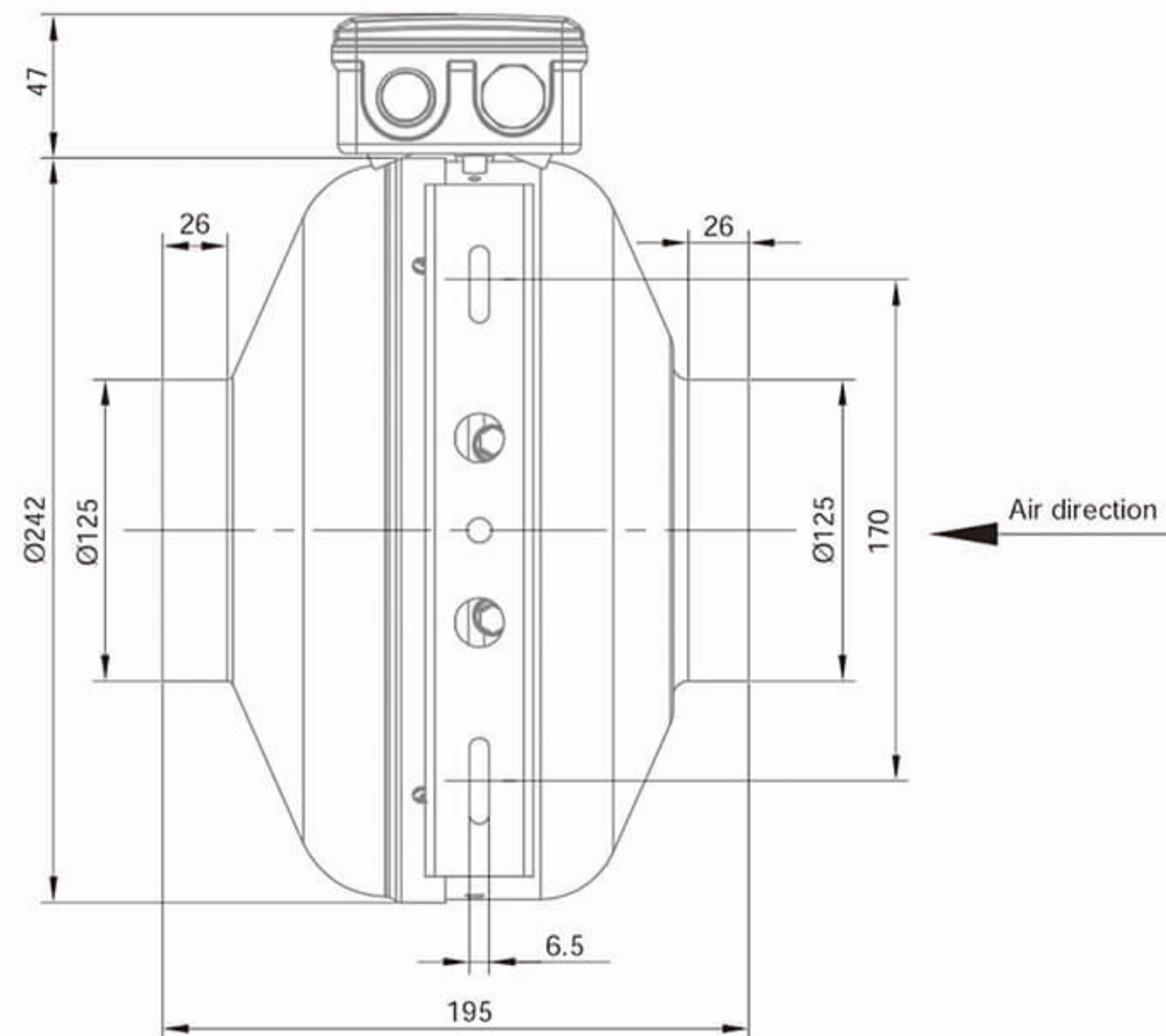
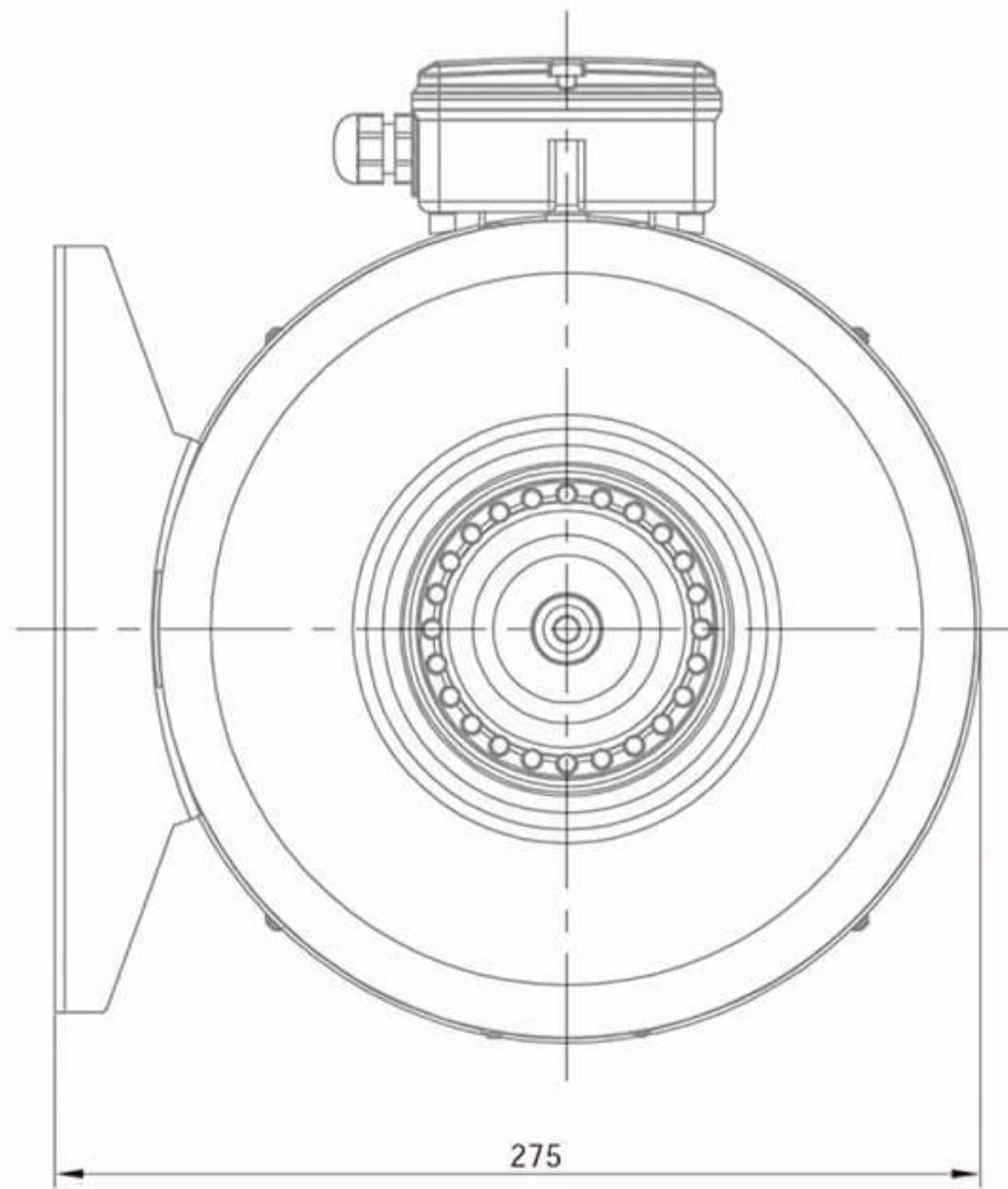
Model	Voltage (V)	Frequency (Hz)	Input Power (W)	Current (A)	Air Volume (m³/h)	Speed (r/min)	Capacitor (µF)	Noise [dB(A)]	Max Environmental Temperature(°C)	Weight (Kg)
BMF-2B192-100T01	120	60	80	0.67	240	2700	8	60	60	3.2
BMF-2E192-100T	230	50/60	70/90	0.3/0.4	230/240	2500/2600	2	59/60	60/70	3.2

AC Circular Duct Fans $\Phi 192$ T125



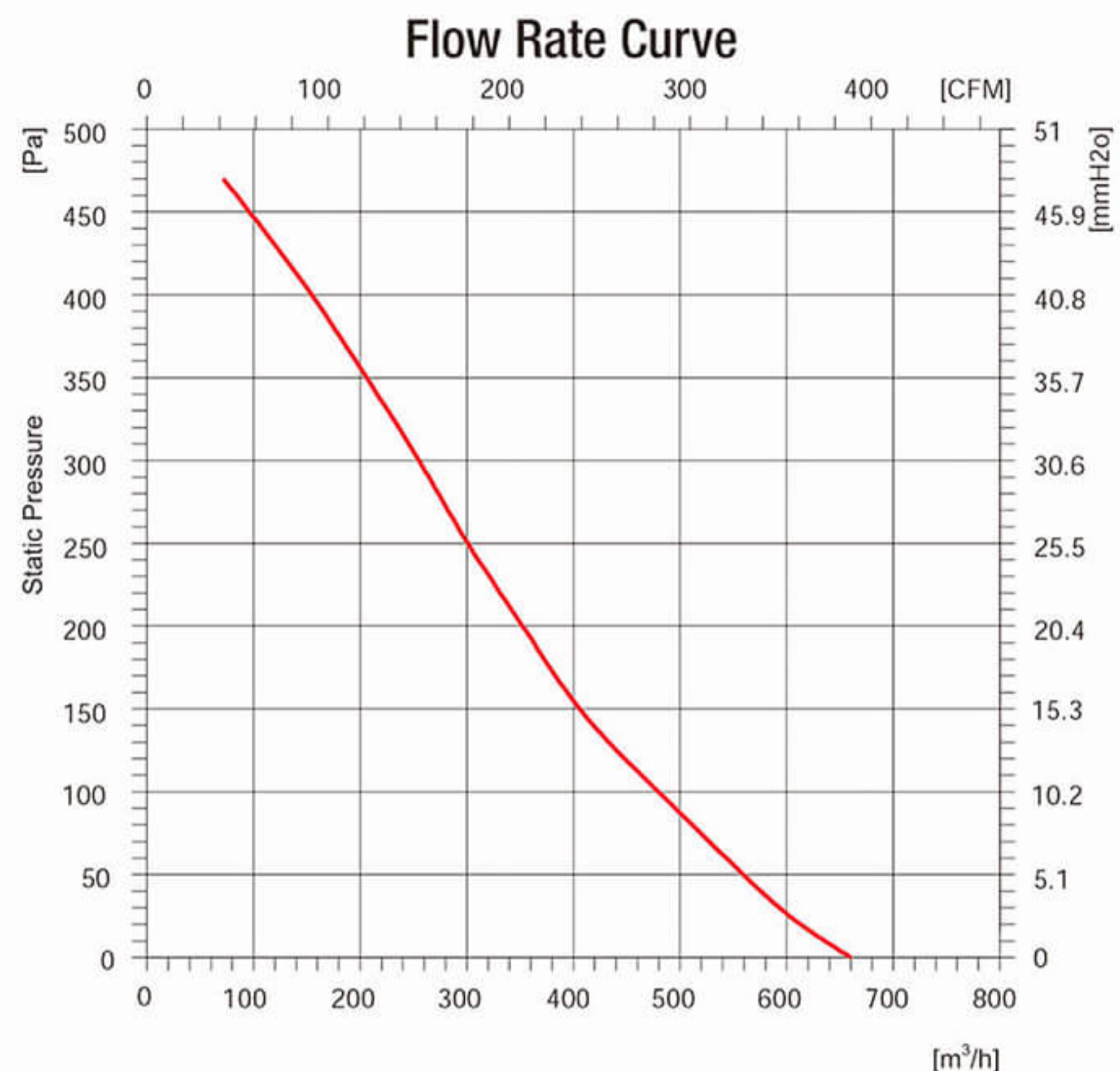
Product Characteristic

- Motor technology: AC Outer rotor
- Mode of Operation: S1
- Protection Class: IP54
- Insulation Class: F
- Bearings: Maintenance-free ball bearings
- Impeller Material: Plastic
- Housing Material: Galvanised sheet steel
- Rotation: C.C.W, seen on the leads



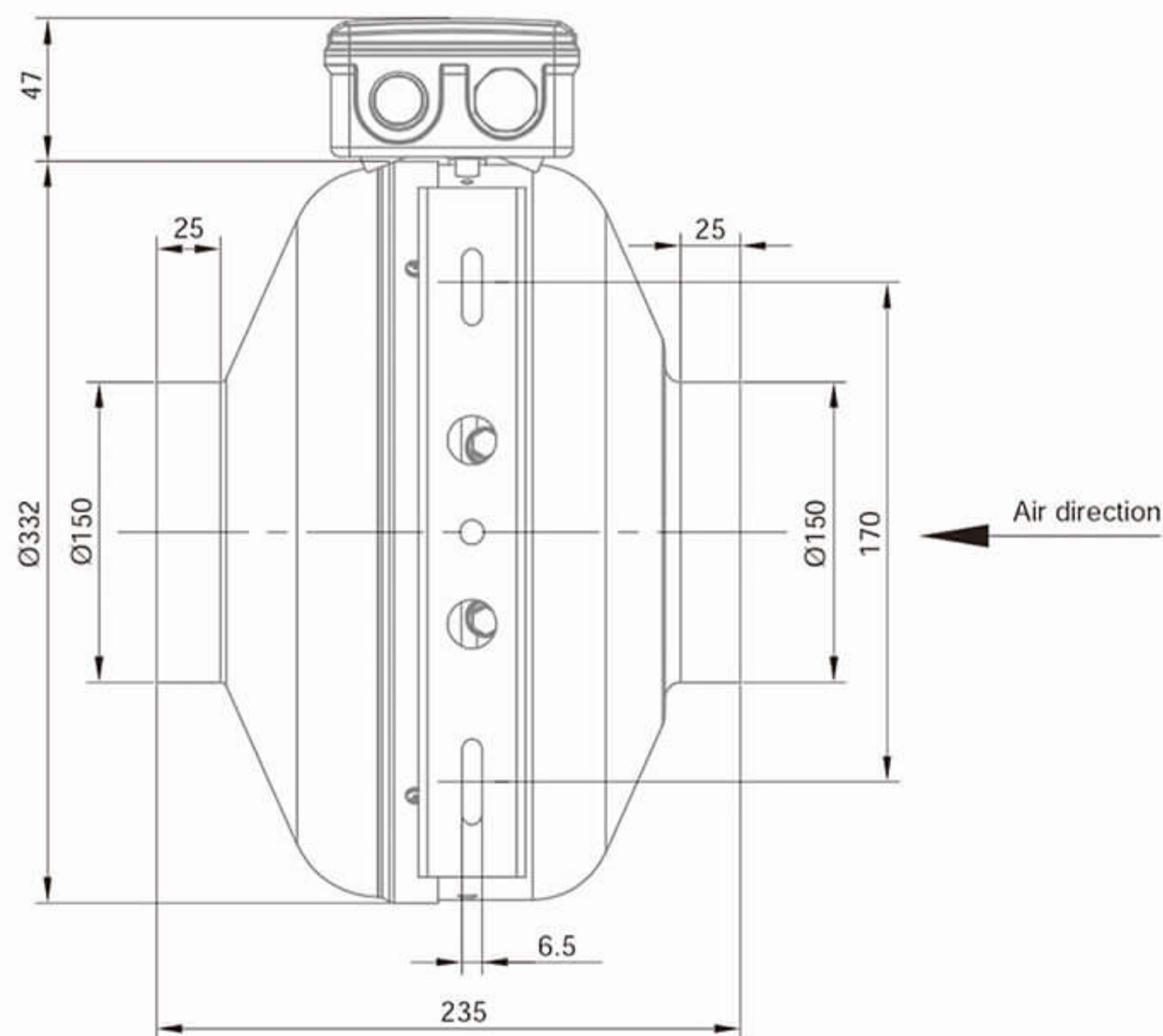
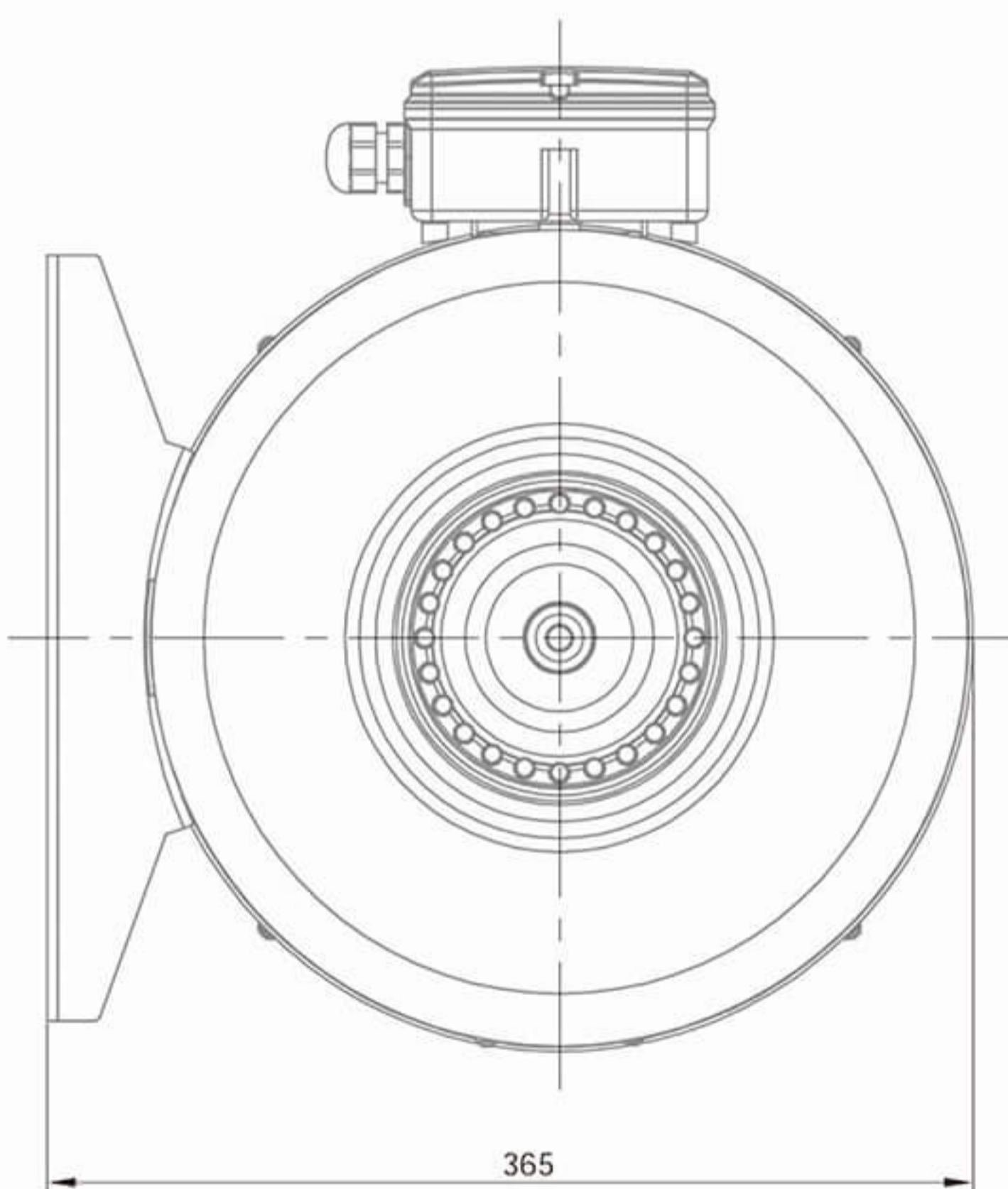
Model	Voltage (V)	Frequency (Hz)	Input Power (W)	Current (A)	Air Volume (m³/h)	Speed (r/min)	Capacitor (µF)	Noise [dB(A)]	Max Environmental Temperature(°C)	Weight (Kg)
BMF-2E192-125T	230	50/60	70/90	0.30/0.40	2400/2500		2	70		3.3

AC Circular Duct Fans $\Phi 200$ T150



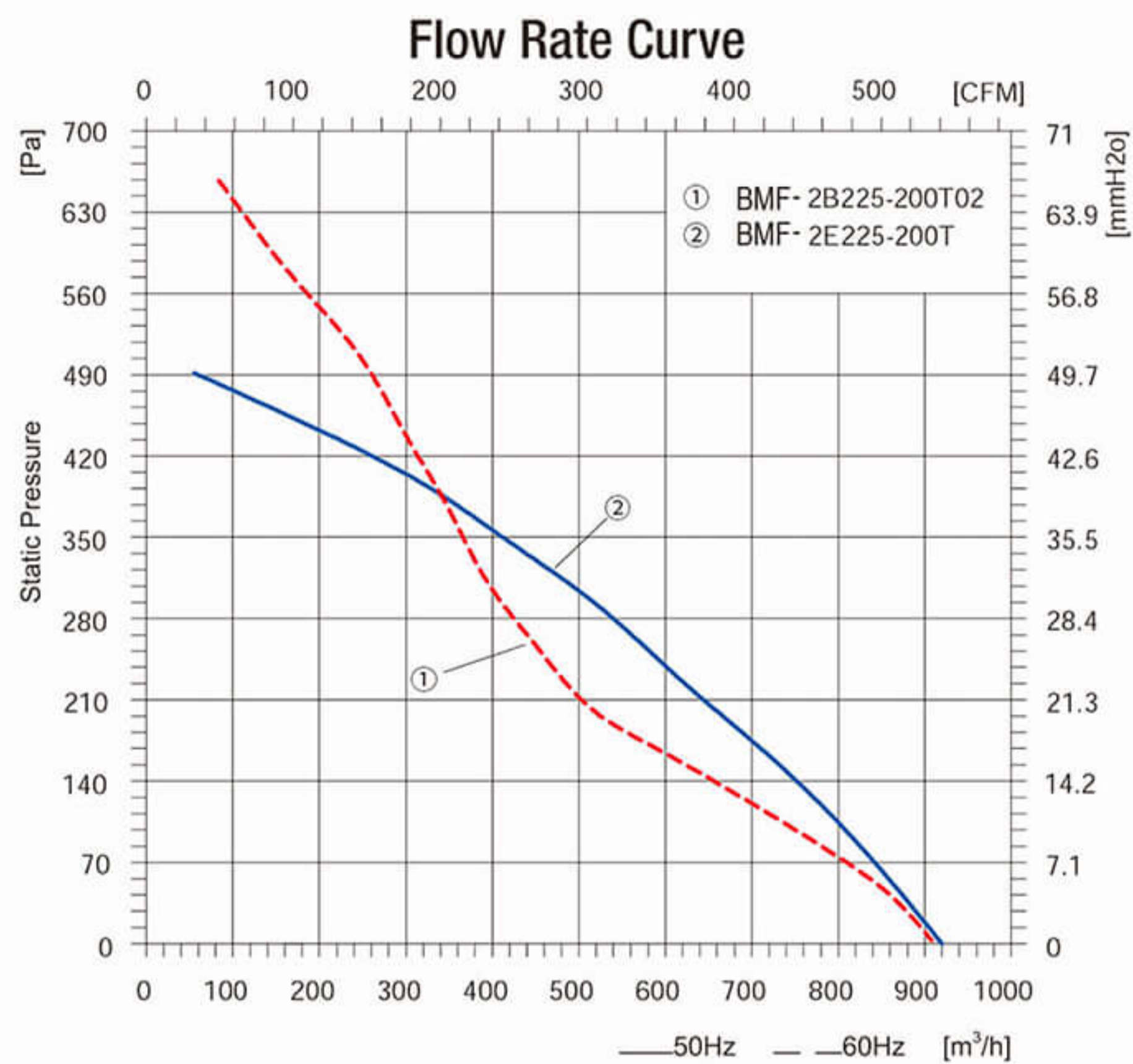
Product Characteristic

Motor technology:	AC Outer rotor
Mode of Operation:	S1
Protection Class:	IP54
Insulation Class:	F
Bearings:	Maintenance-free ball bearings
Impeller Material:	Plastic
Housing Material:	Galvanised sheet steel
Rotation:	C.C.W, seen on the leads



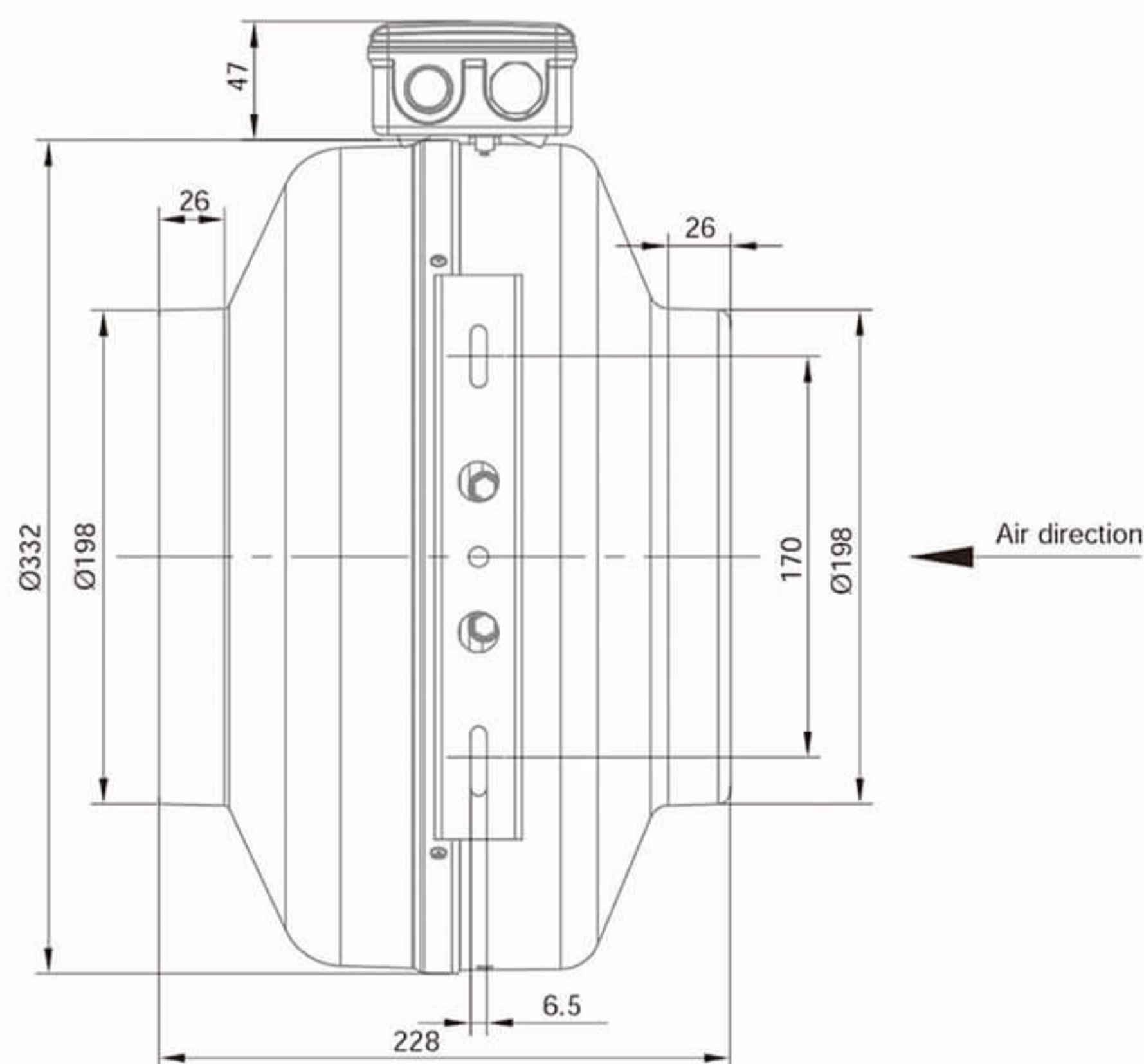
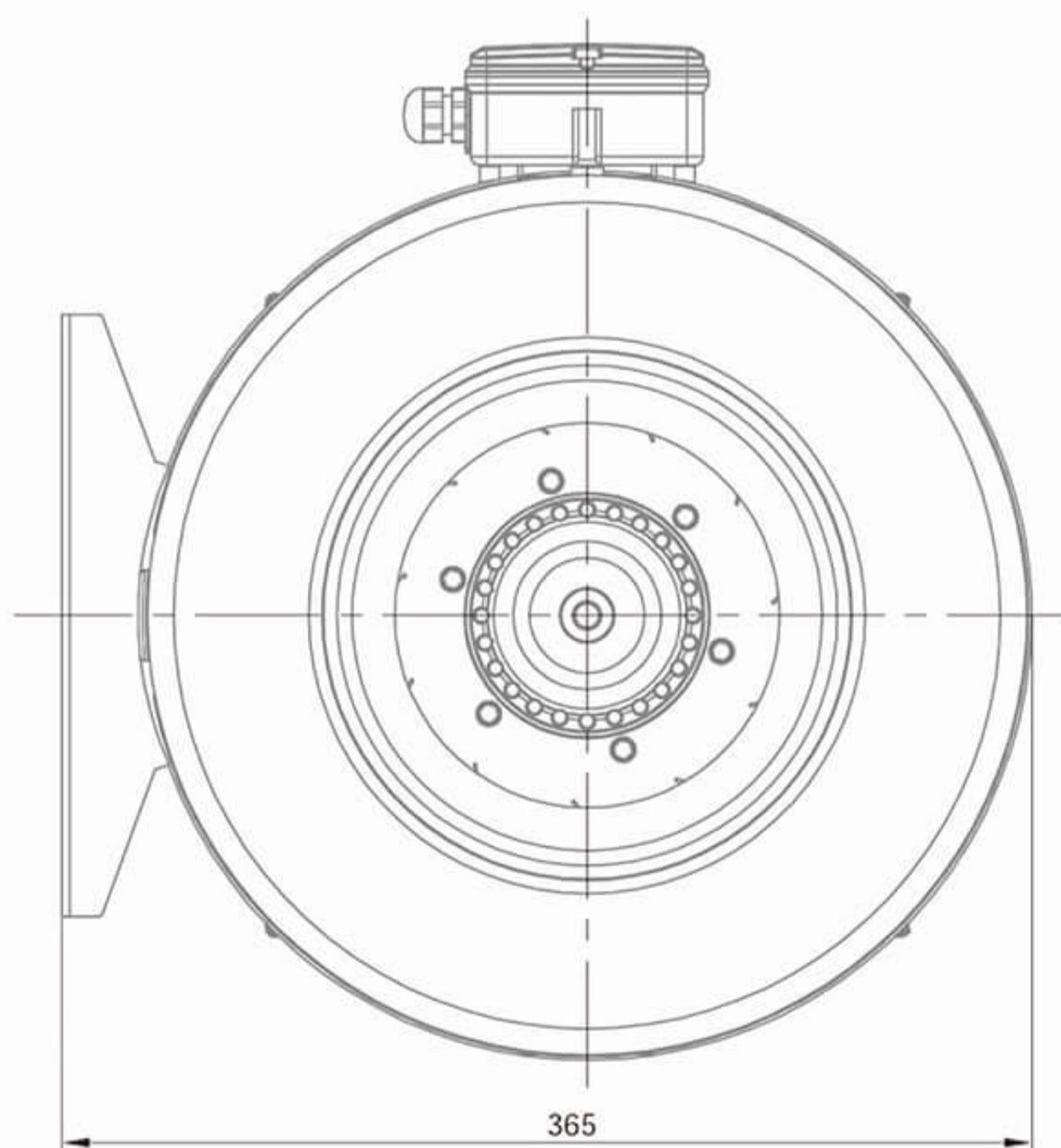
Model	Voltage (V)	Frequency (Hz)	Input Power (W)	Current (A)	Air Volume (m³/h)	Speed (r/min)	Capacitor (µF)	Noise [dB(A)]	Max Environmental Temperature(°C)	Weight (Kg)
BMF-2B220-150T02	120	60	150	1.3	660	2550	12	64	60	4.1

AC Circular Duct Fans $\Phi 225$ T200



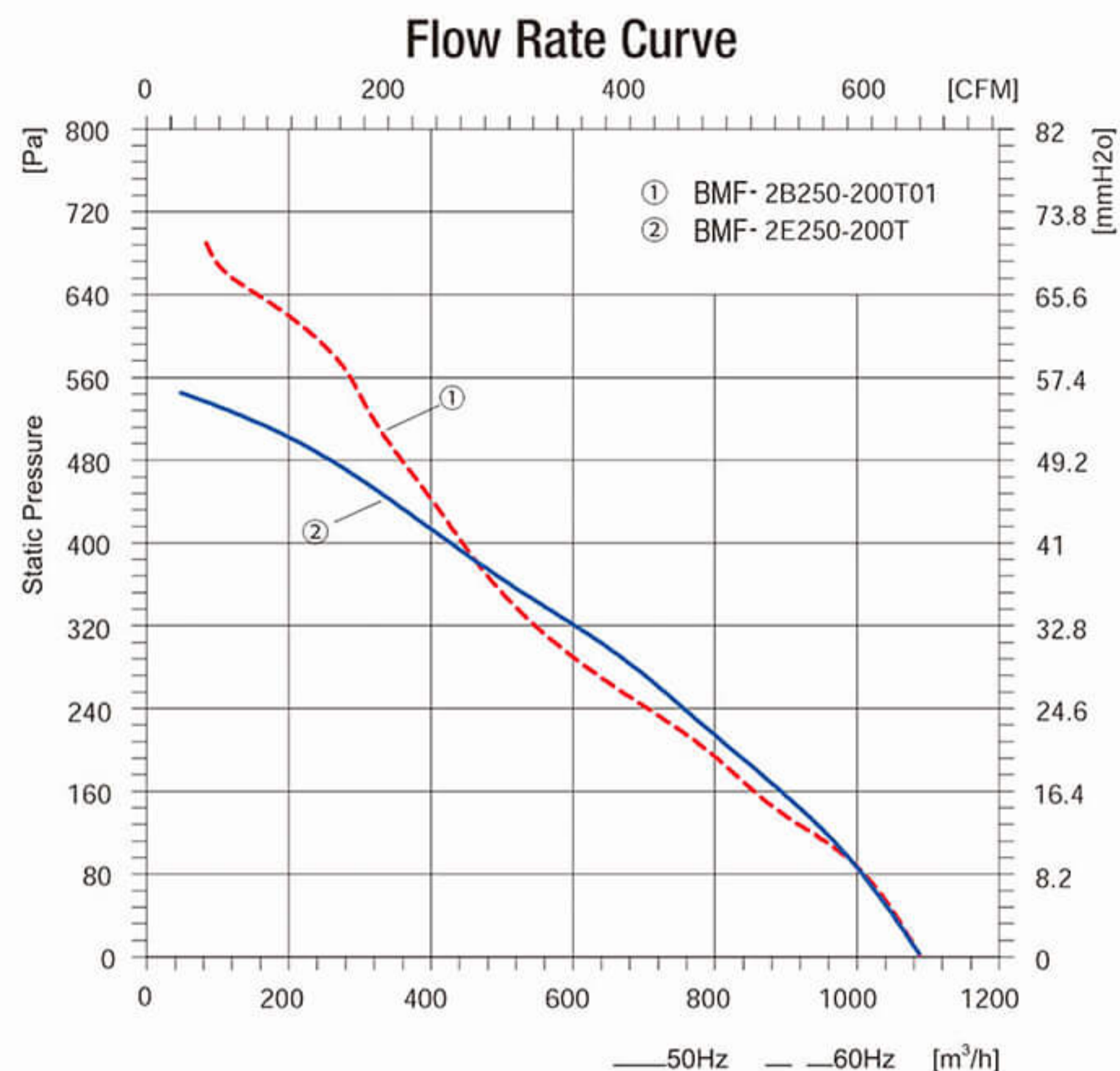
Product Characteristic

Motor technology: AC Outer rotor
 Mode of Operation: S1
 Protection Class: IP54
 Insulation Class: F
 Bearings: Maintenance-free ball bearings
 Impeller Material: Galvanised iron
 Housing Material: Galvanised sheet steel
 Rotation: C.C.W, seen on the leads



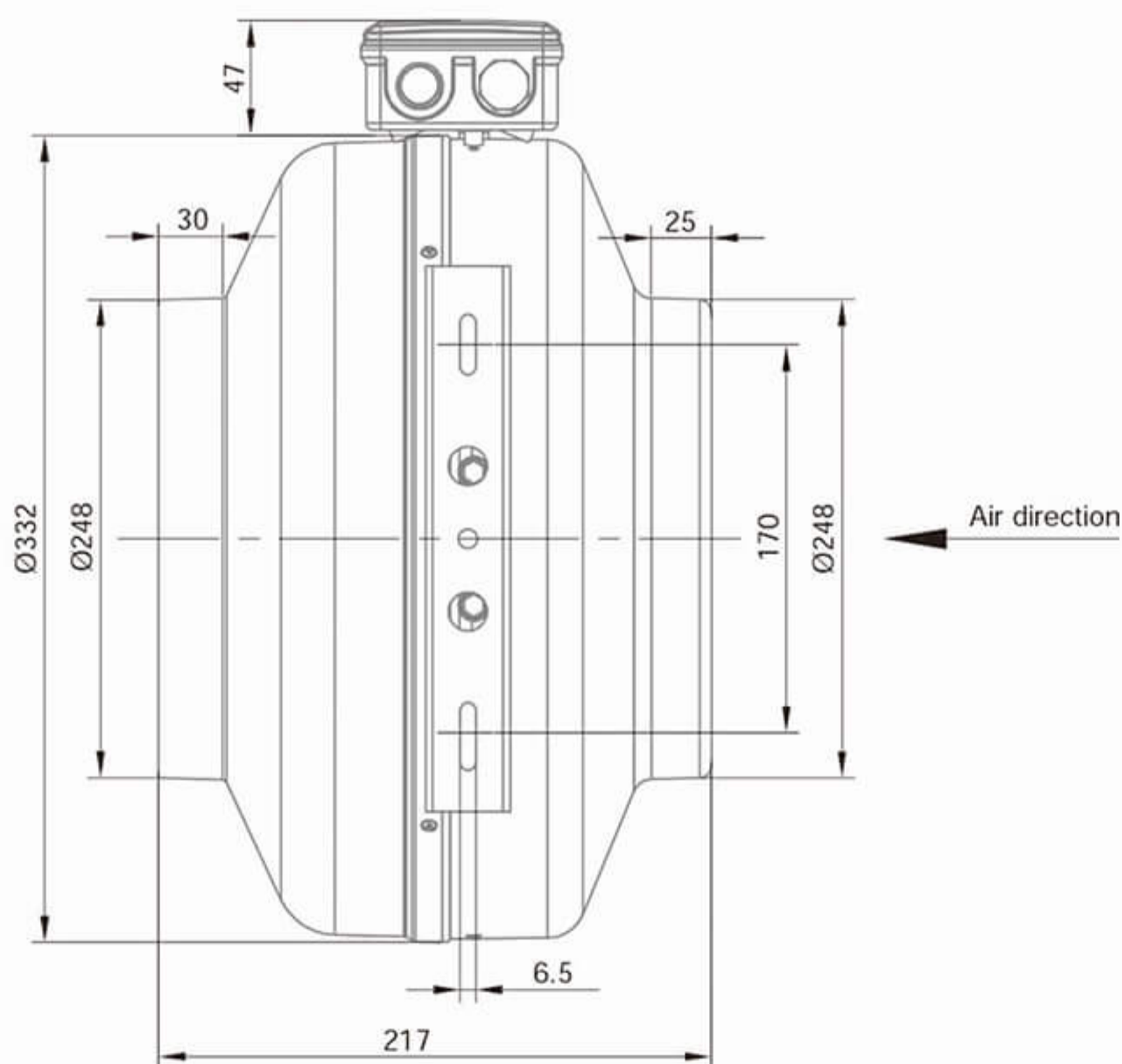
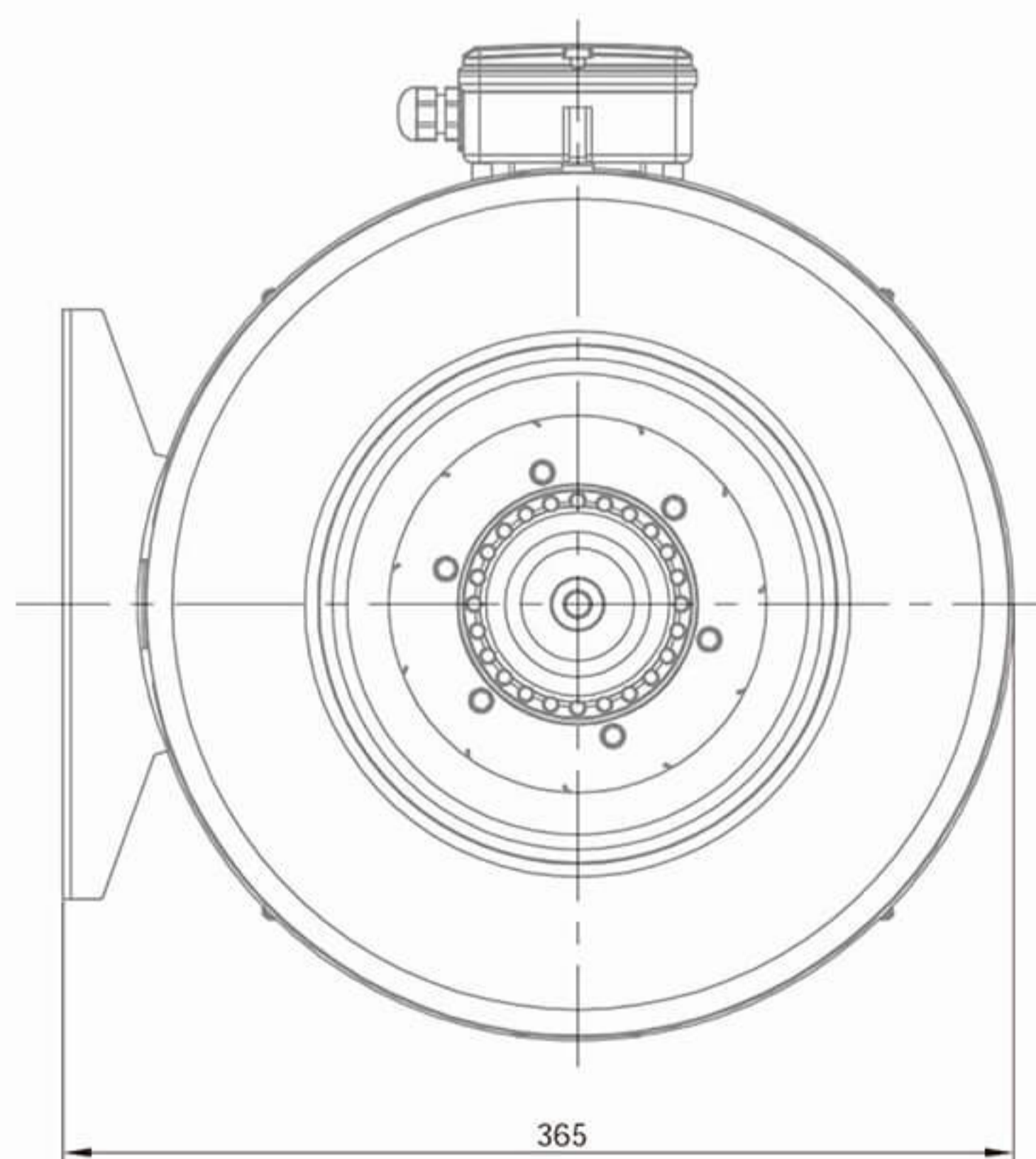
Model	Voltage (V)	Frequency (Hz)	Input Power (W)	Current (A)	Air Volume (m ³ /h)	Speed (r/min)	Capacitor (μF)	Noise [dB(A)]	Max Environmental Temperature(°C)	Weight (Kg)
BMF- 2B225-200T02	120	60	200	1.7	930	2800	16	71	60	4.9
BMF- 2E225-200T	230	50/60	150/200	0.7/0.95	900	2600/3000	4	65	50	4.9

AC Circular Duct Fans $\Phi 250$ T250



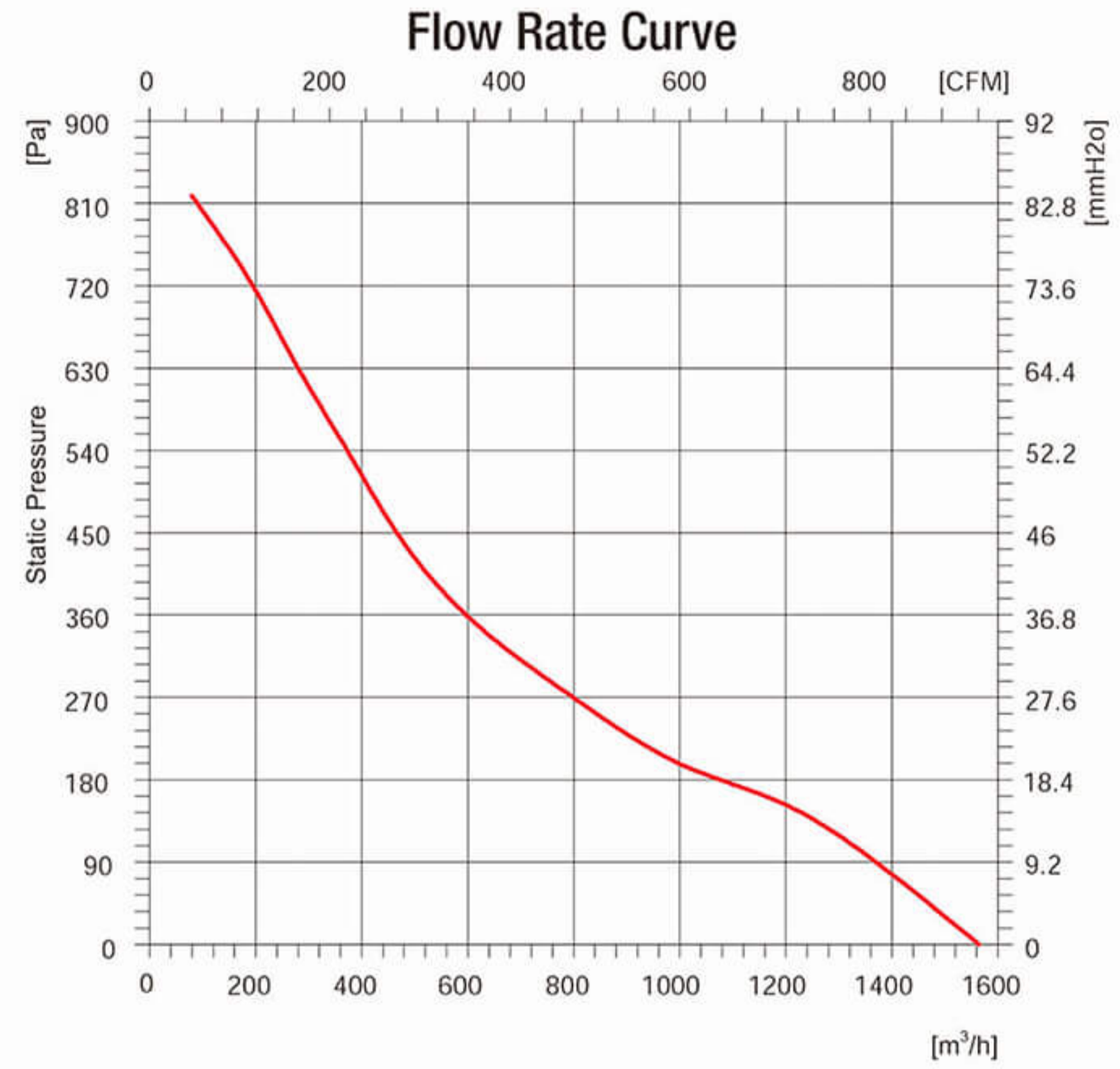
Product Characteristic

Motor technology:	AC Outer rotor
Mode of Operation:	S1
Protection Class:	IP54
Insulation Class:	F
Bearings:	Maintenance-free ball bearings
Impeller Material:	Galvanised iron
Housing Material:	Galvanised sheet steel
Rotation:	C.C.W, seen on the leads



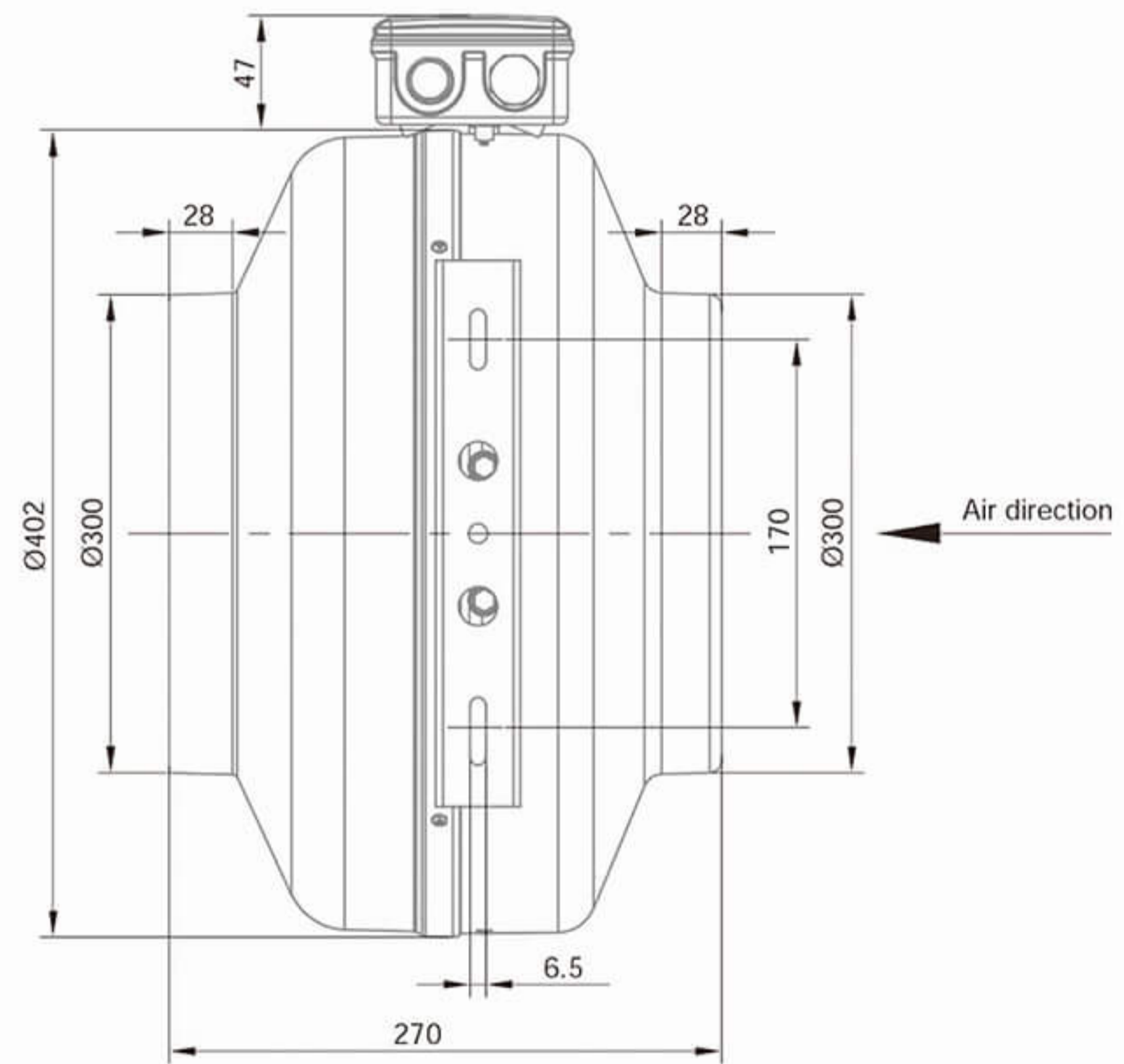
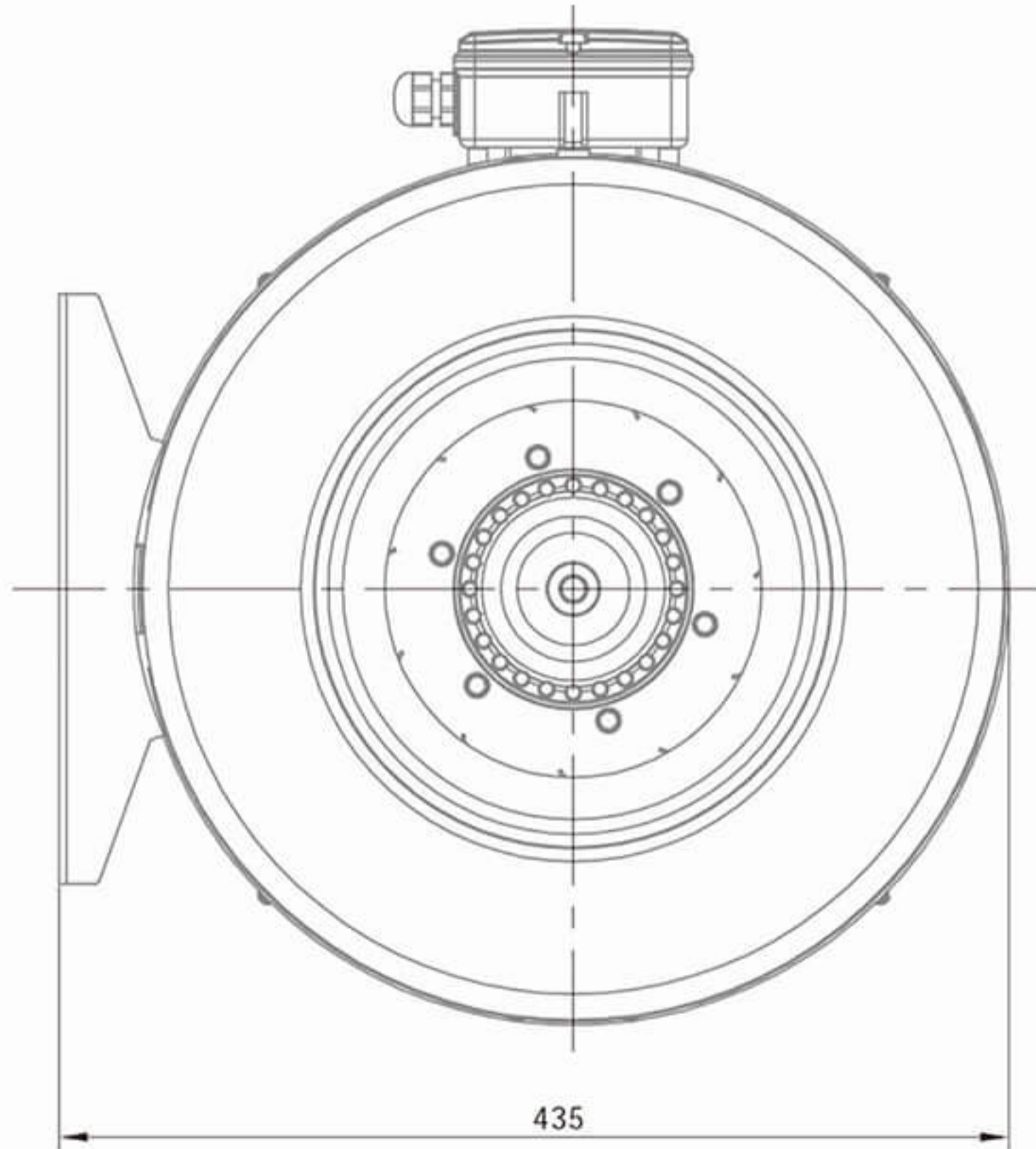
Model	Voltage (V)	Frequency (Hz)	Input Power (W)	Current (A)	Air Volume (m³/h)	Speed (r/min)	Capacitor (µF)	Noise [dB(A)]	Max Environmental Temperature(°C)	Weight (Kg)
BMF-2B250-250T01	120	60	240	2.1	1100	2500	19	73	60	5.1
BMF-2E250-250T	230	50	200	0.90	1080	2500	6	70	60	5.1

AC Circular Duct Fans $\Phi 280$ T300



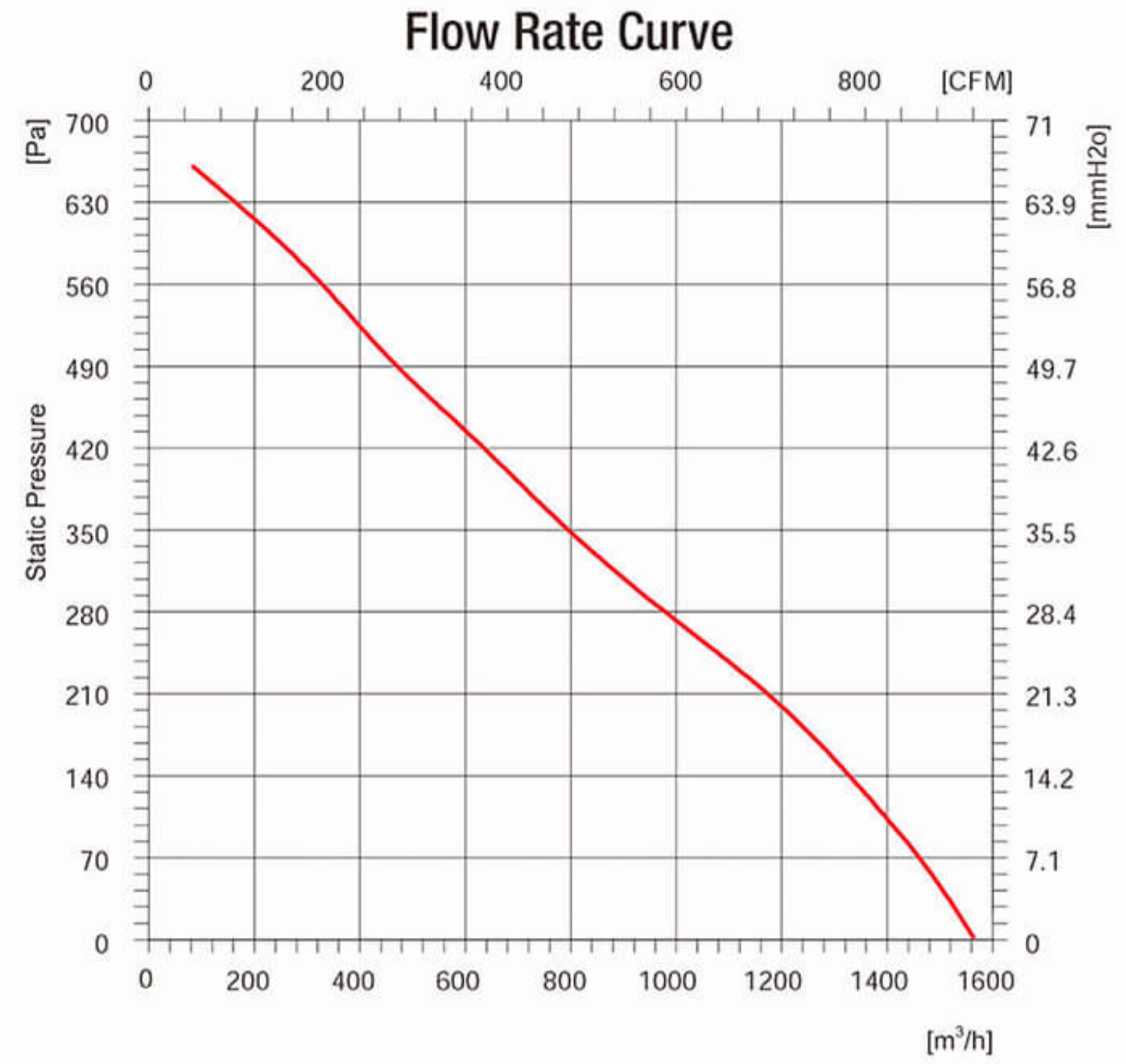
Product Characteristic

- Motor technology: AC Outer rotor
- Mode of Operation: S1
- Protection Class: IP54
- Insulation Class: F
- Bearings: Maintenance-free ball bearings
- Impeller Material: Galvanised iron
- Housing Material: Galvanised sheet steel
- Rotation: C.C.W, seen on the leads



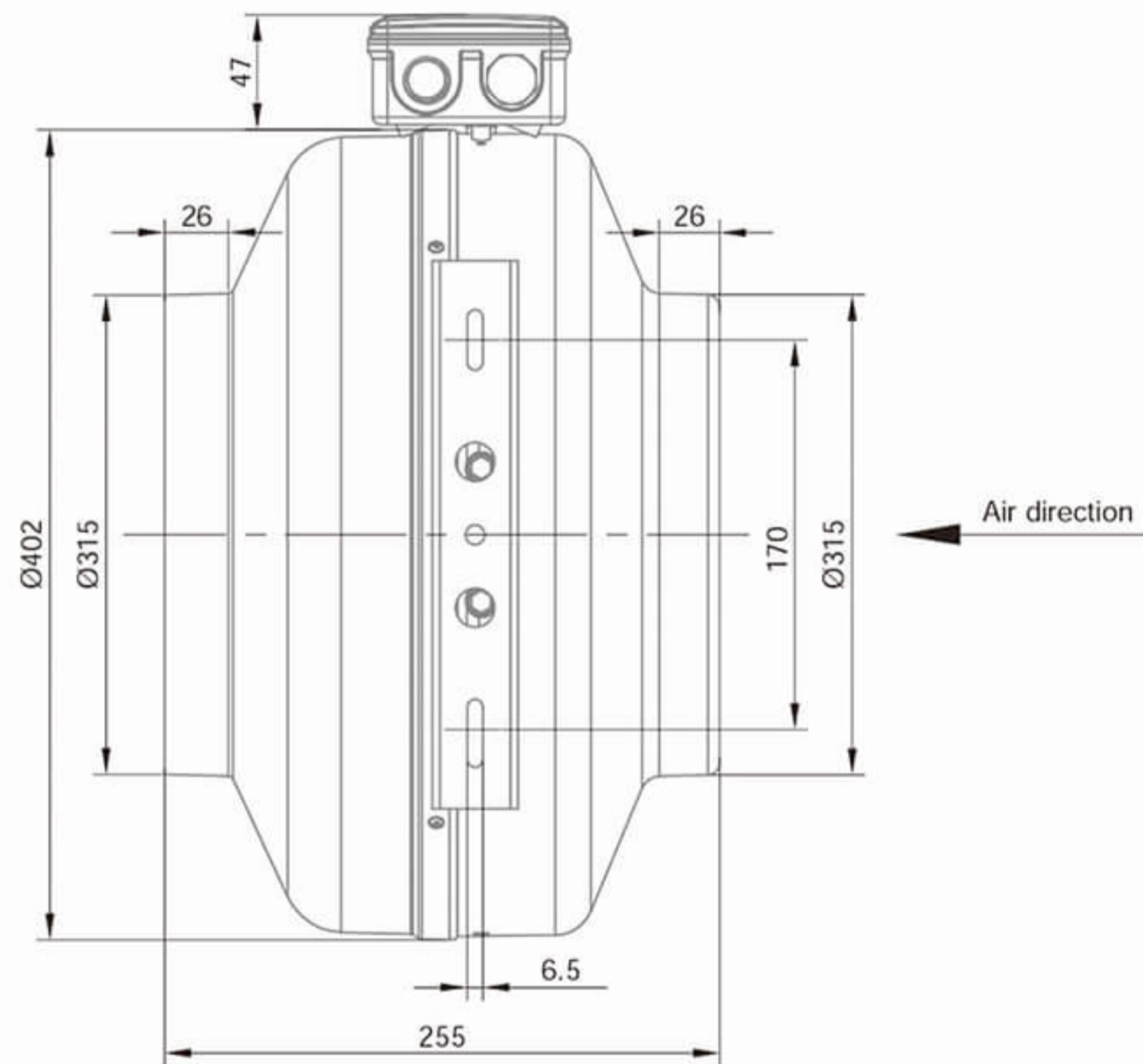
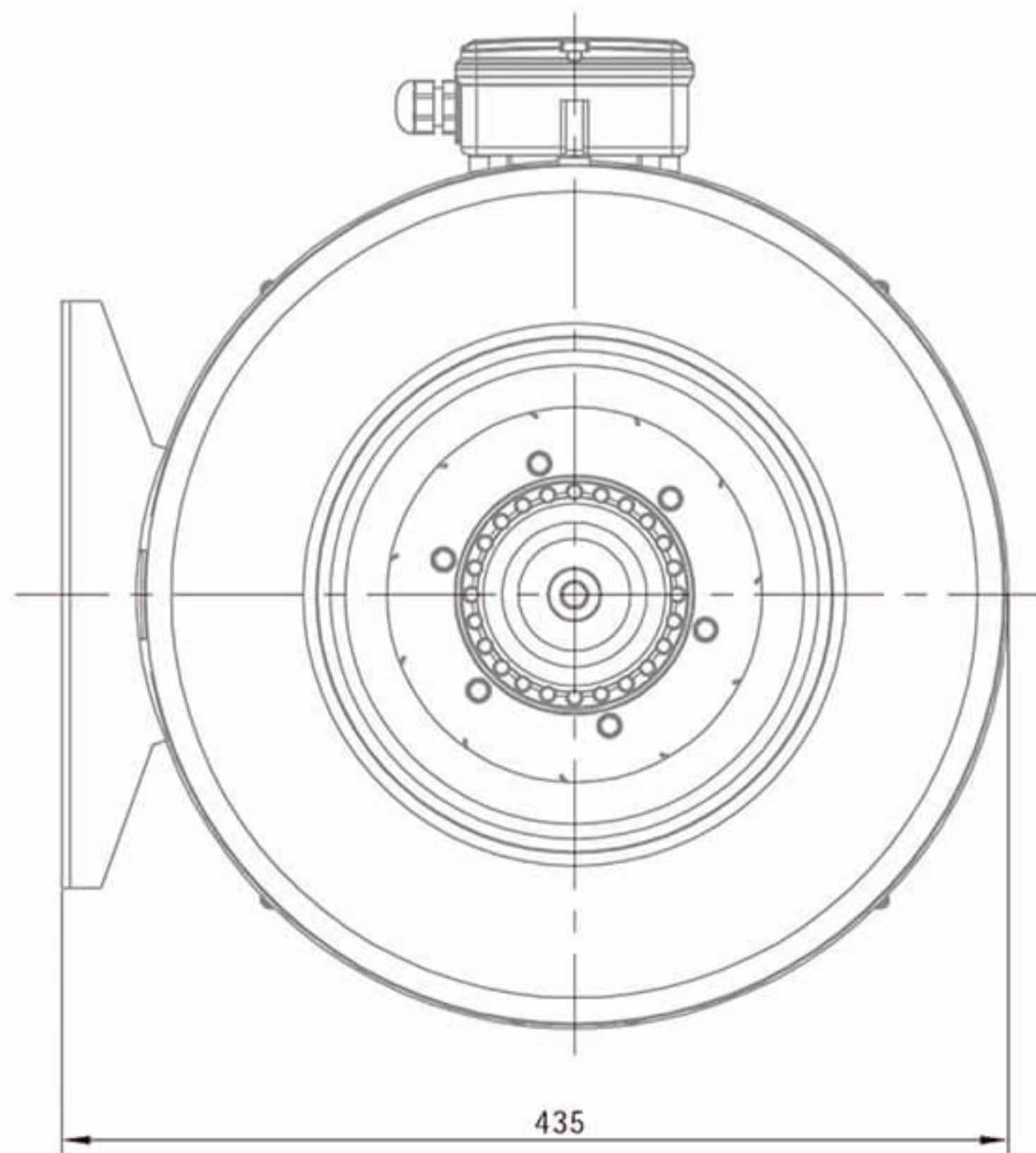
Model	Voltage (V)	Frequency (Hz)	Input Power (W)	Current (A)	Air Volume (m ³ /h)	Speed (r/min)	Capacitor (μF)	Noise [dB(A)]	Max Environmental Temperature(°C)	Weight (Kg)
BMF-2B280-300T	120	60	310	2.6	1550	2450	25	74	50	6.1

AC Circular Duct Fans $\Phi 280$ T315



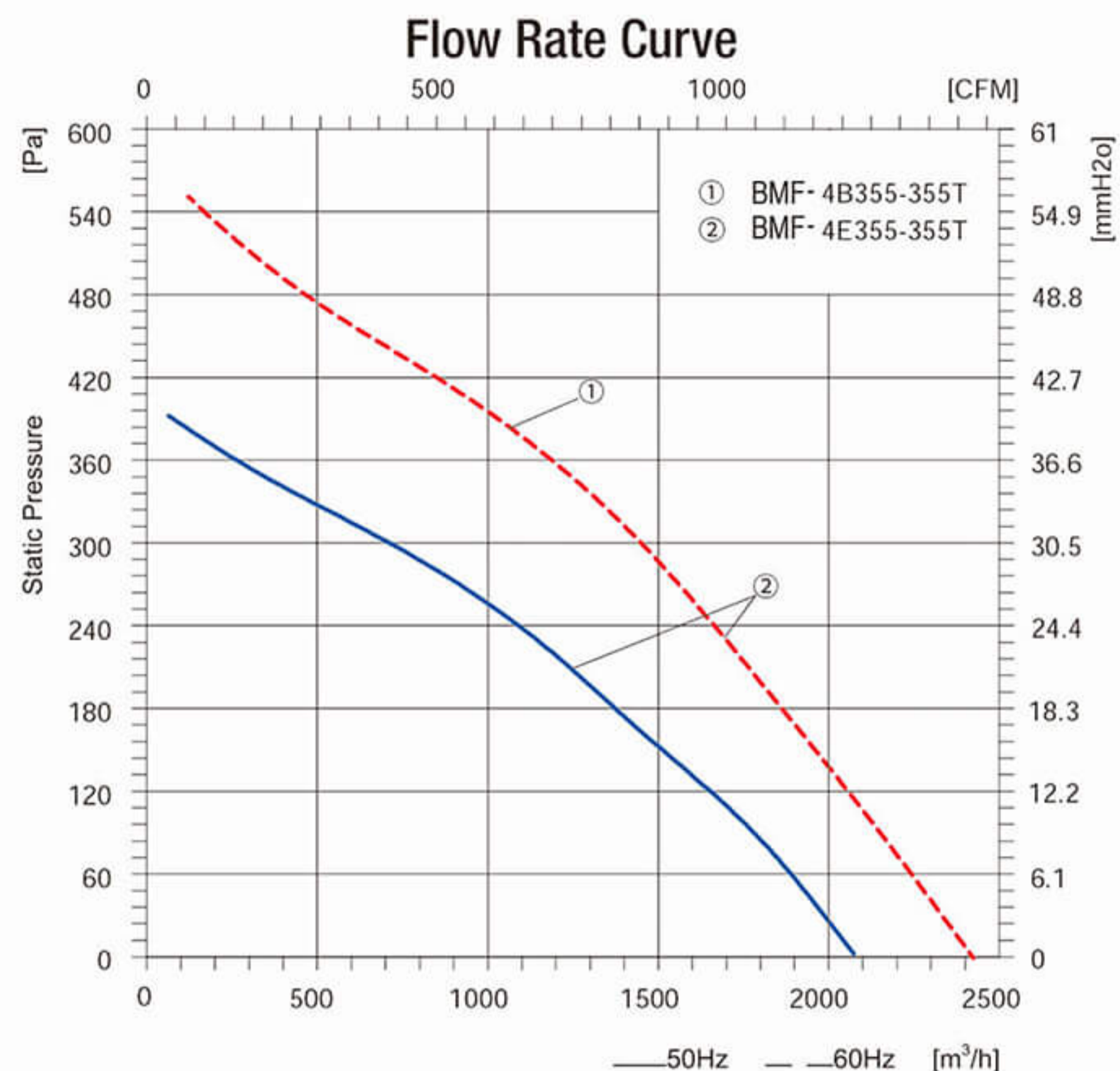
Product Characteristic

- Motor technology: AC Outer rotor
- Mode of Operation: S1
- Protection Class: IP54
- Insulation Class: F
- Bearings: Maintenance-free ball bearings
- Impeller Material: Galvanised iron
- Housing Material: Galvanised sheet steel
- Rotation: C.C.W, seen on the leads



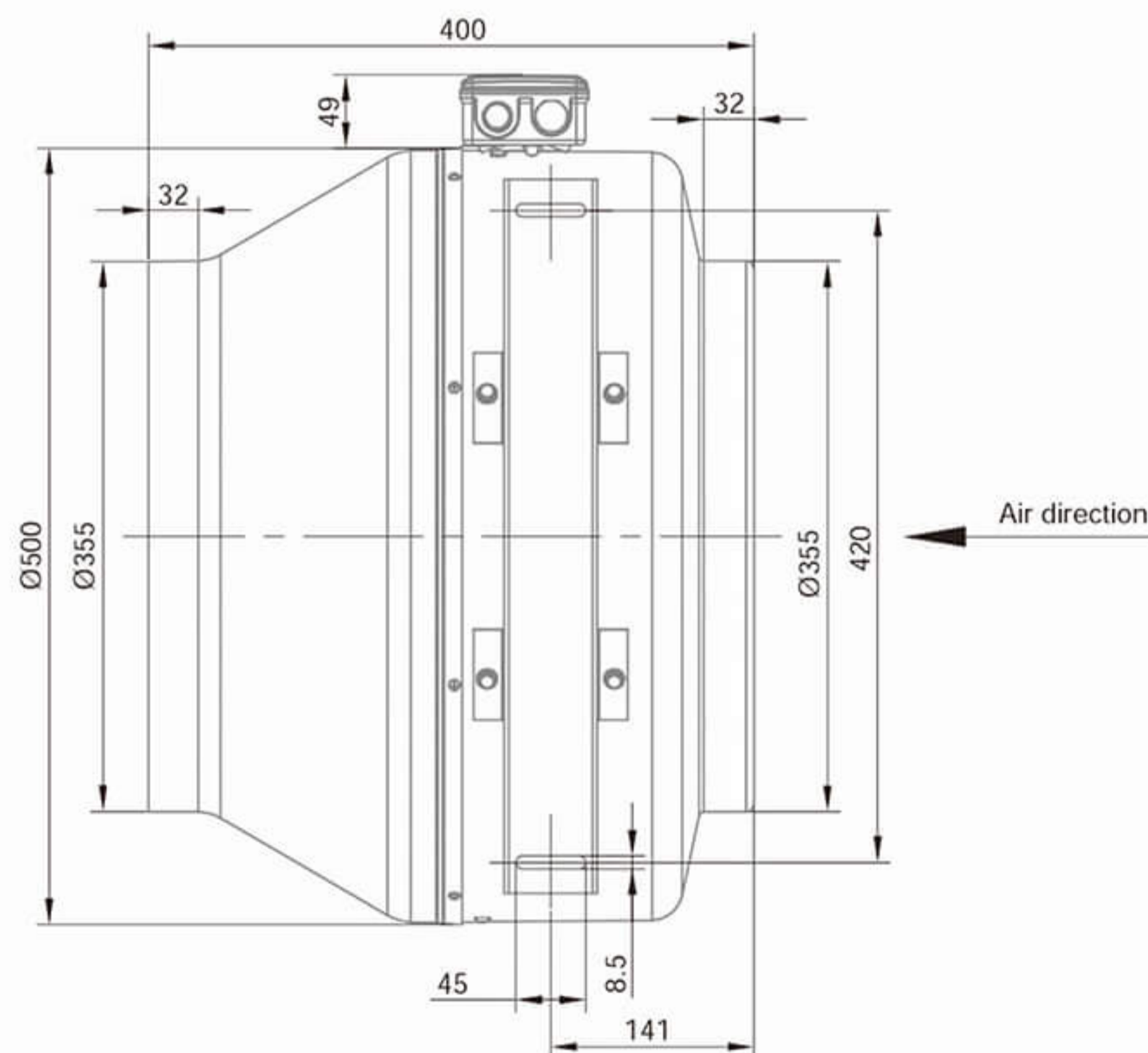
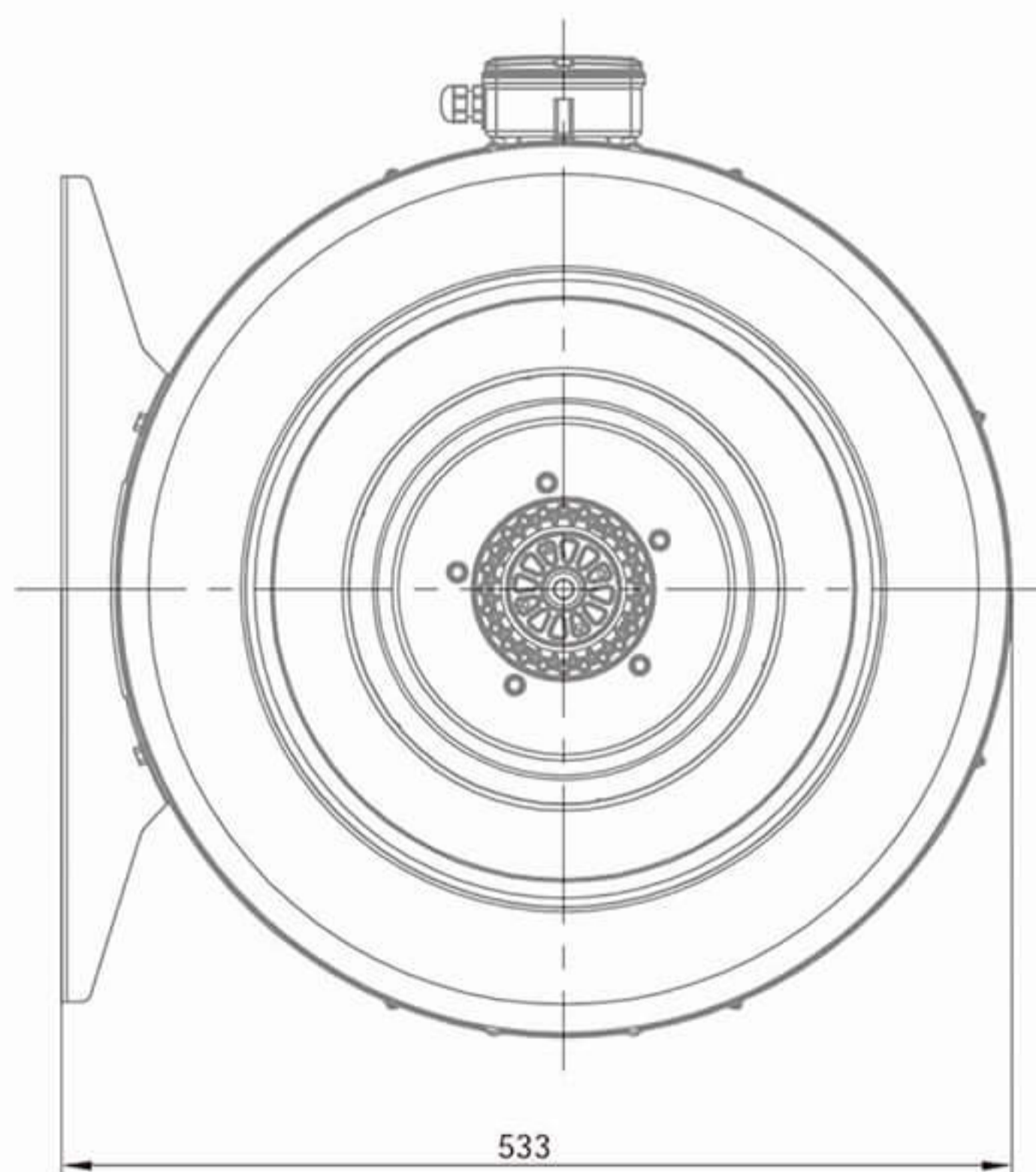
Model	Voltage (V)	Frequency (Hz)	Input Power (W)	Current (A)	Air Volume (m³/h)	Speed (r/min)	Capacitor (µF)	Noise [dB(A)]	Max Environmental Temperature(°C)	Weight (Kg)
BMF-2E280-315T	230	50	280	1.1	1560	2400	8	68	50	6.1

AC Circular Duct Fans $\Phi 355$ T355



Product Characteristic

Motor technology: AC Outer rotor
 Mode of Operation: S1
 Protection Class: IP54
 Insulation Class: F
 Bearings: Maintenance-free ball bearings
 Impeller Material: Sheet aluminium
 Housing Material: Galvanised sheet steel
 Rotation: C.C.W, seen on the leads



Model	Voltage (V)	Frequency (Hz)	Input Power (W)	Current (A)	Air Volume (m ³ /h)	Speed (r/min)	Capacitor (μF)	Noise [dB(A)]	Max Environmental Temperature(°C)	Weight (Kg)
BMF-4B355-355T	120	60	340	2.9	2450	1650	31	70	60	14.5
BMF-4E355-355T	230	50/60	220/340	1.0/1.49	2000/2200	1360/1450	6	67	60/45	14.0