



EC Single Inlet Forward Centrifugal Fans

Material: PA66

Type of protection: IP44

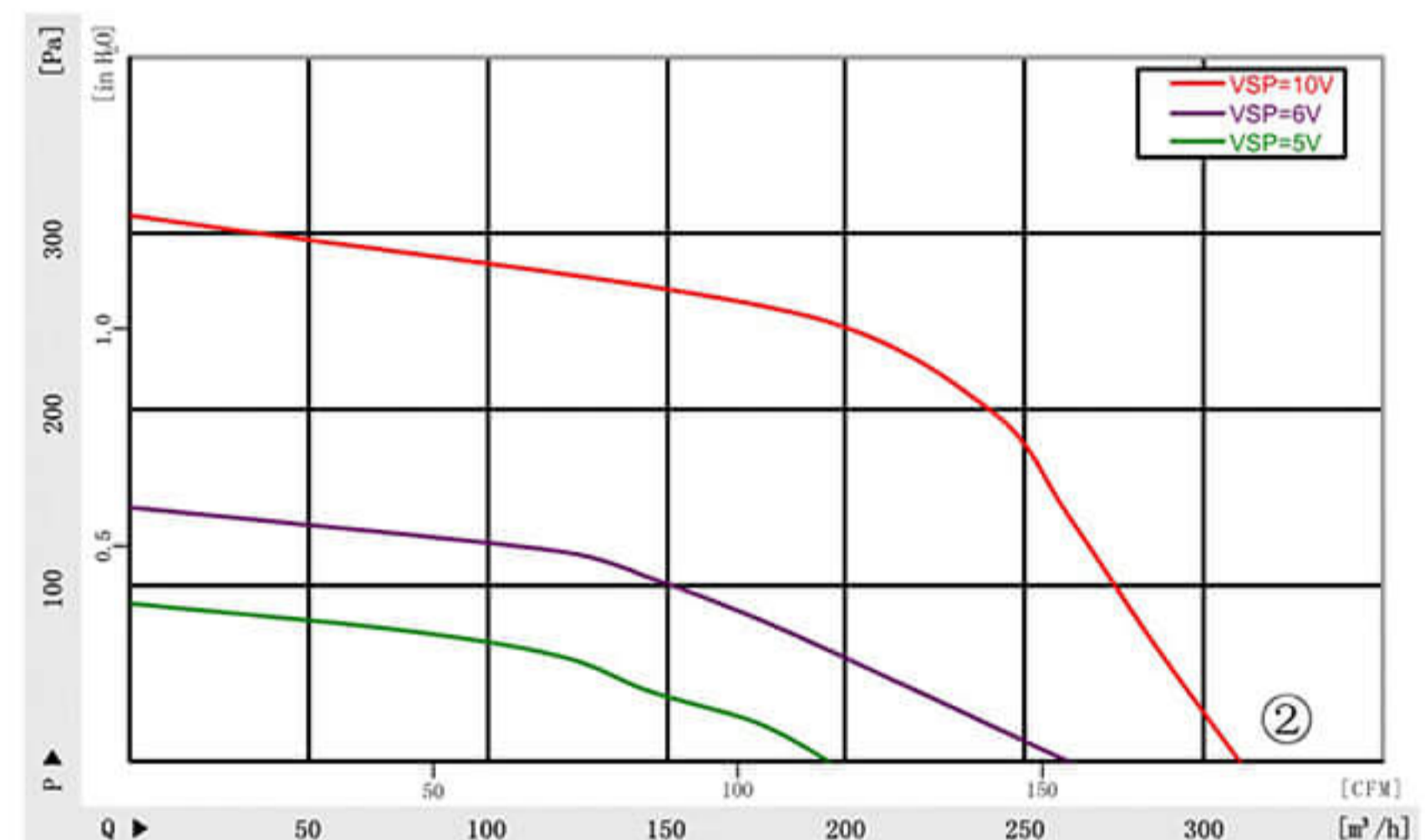
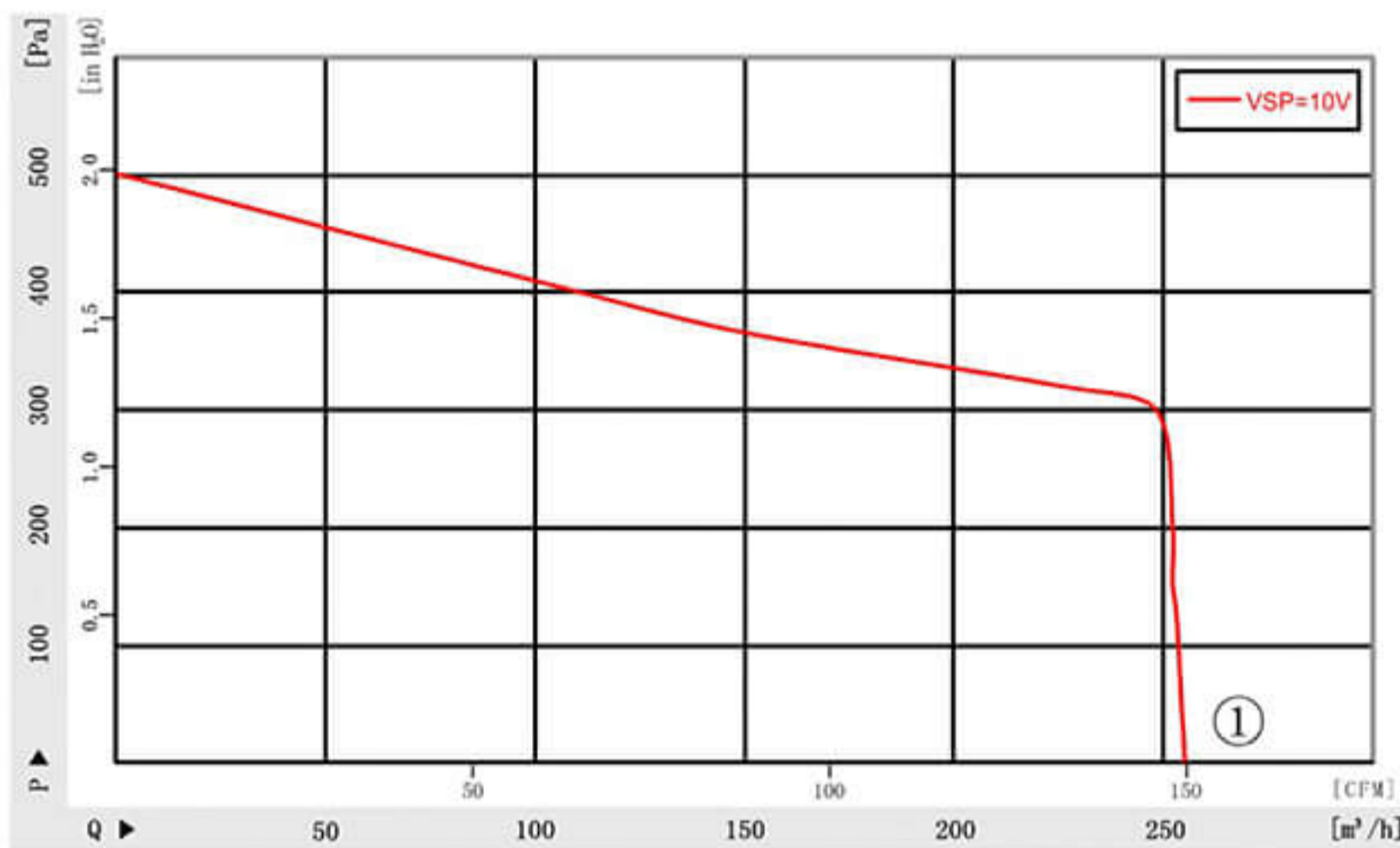
Approvals: CCC CE

Insulation class: B

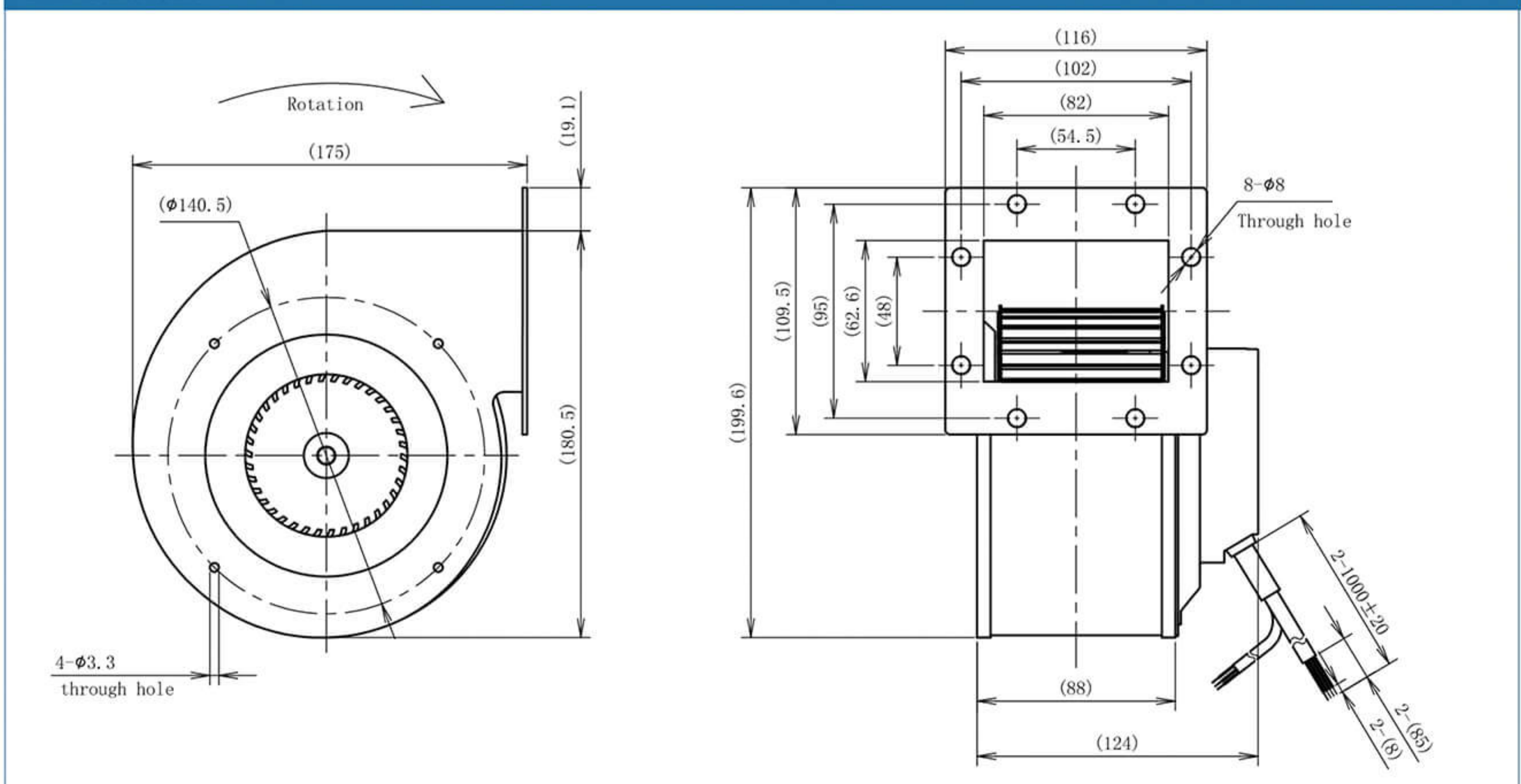
Specifications

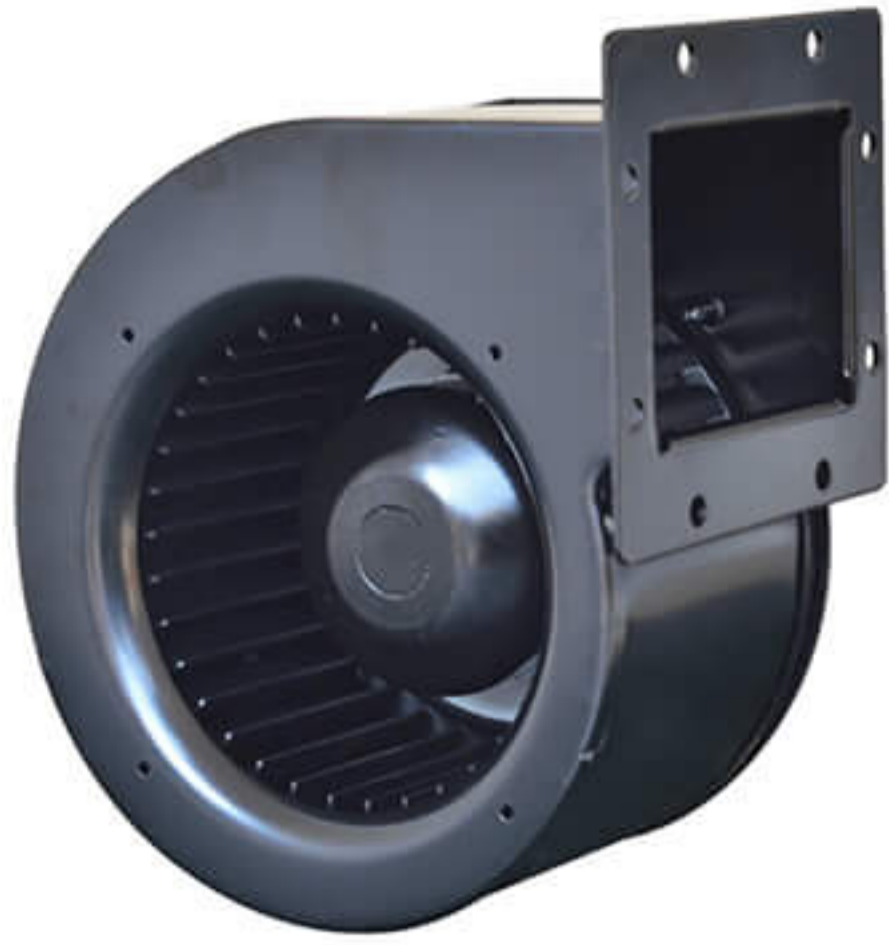
Type	Curve	Nominal voltage	Frequency	Speed	Power input	Current draw	Sound pressure level	Perm. amb. temp.
		[VAC]	[Hz]	[rpm]	[W]	[A]	[dB]	[°C]
F3P133-EC072-600	①	220	50/60	1740	30	0.24	56	-25~+60
F3P133-EC072-002	②	220	50/60	2100	65	0.5	64	-25~+60

Curves



Dimensions





EC Single Inlet Forward Centrifugal Fans

Material: PA66

Type of protection: IP44

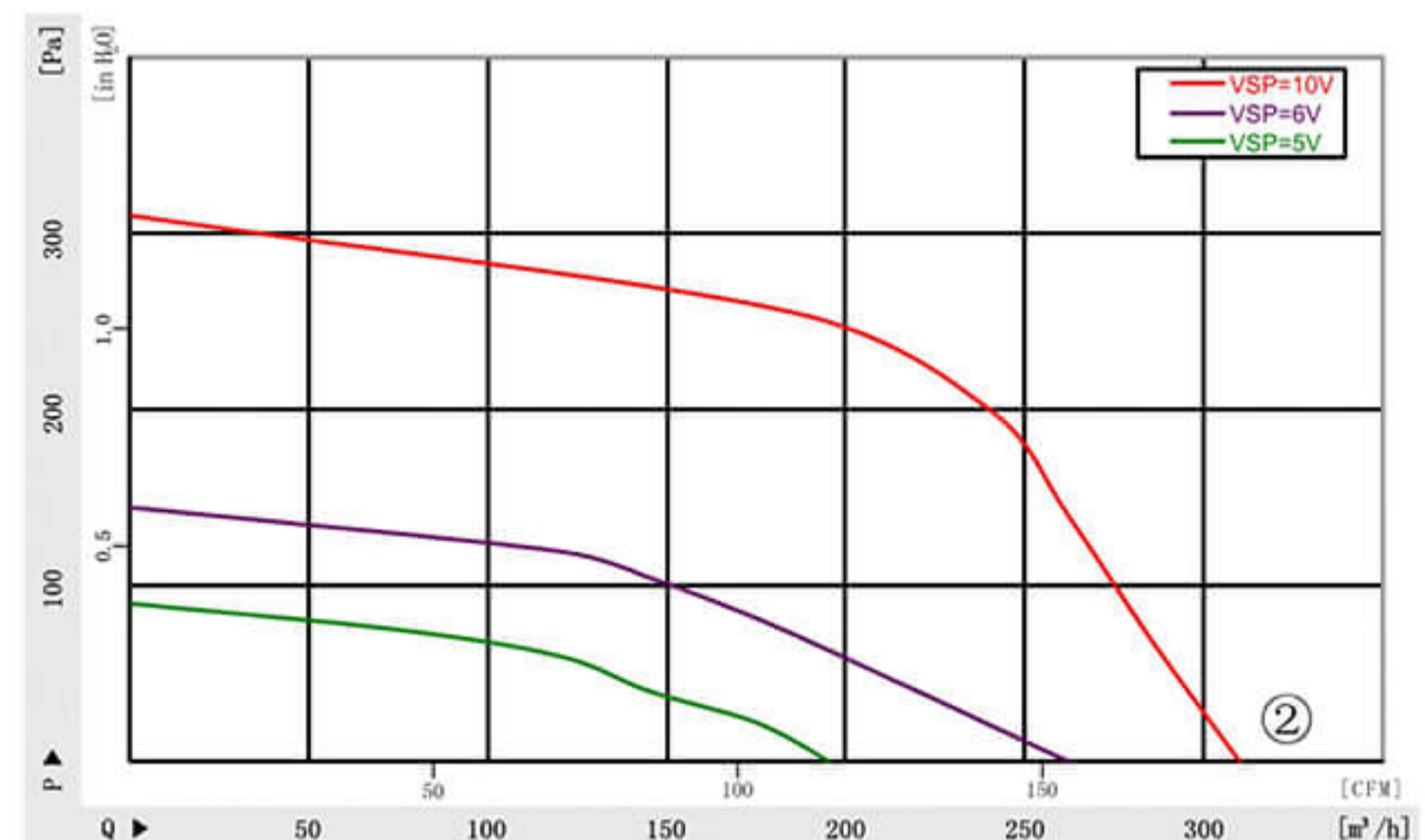
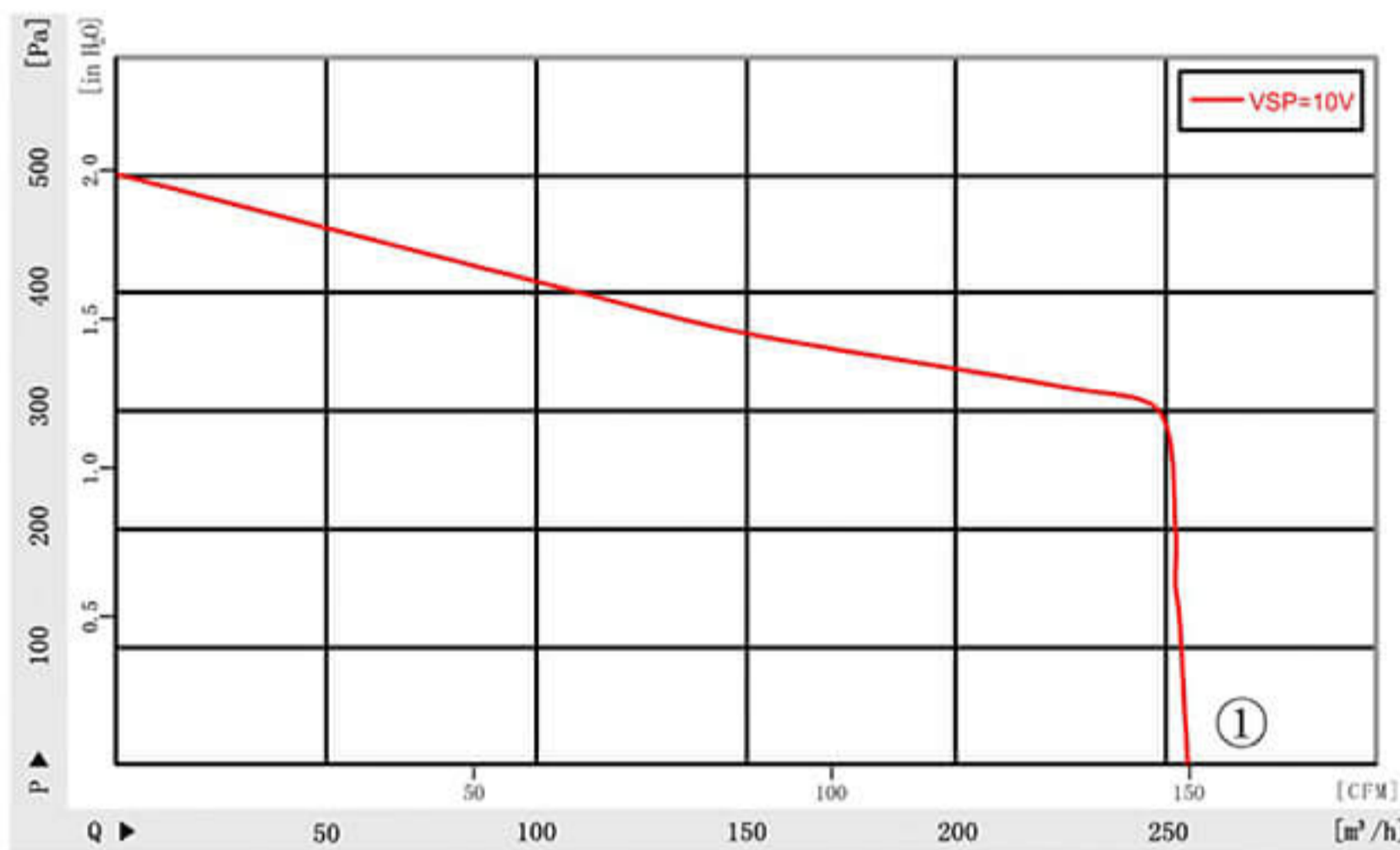
Approvals: CCC CE

Insulation class: B

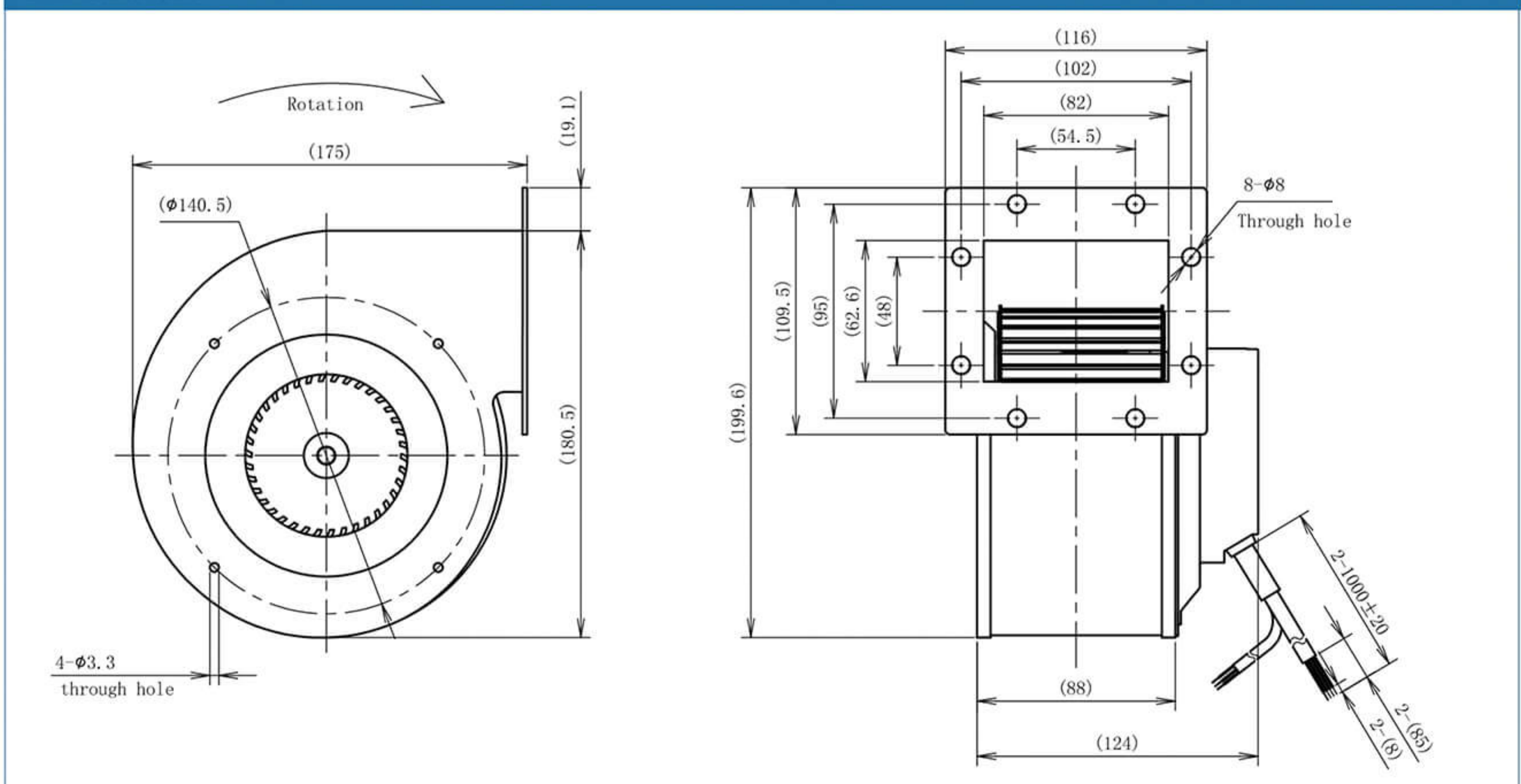
Specifications

Type	Curve	Nominal voltage	Frequency	Speed	Power input	Current draw	Sound pressure level	Perm. amb. temp.
		[VAC]	[Hz]	[rpm]	[W]	[A]	[dB]	[°C]
F3P133-EC072-600	①	220	50/60	1740	30	0.24	56	-25~+60
F3P133-EC072-002	②	220	50/60	2100	65	0.5	64	-25~+60

Curves



Dimensions





EC Single Inlet Forward Centrifugal Fans

Material: FAN-PA66, Volute-Galvanized Sheet

Type of protection: IP44

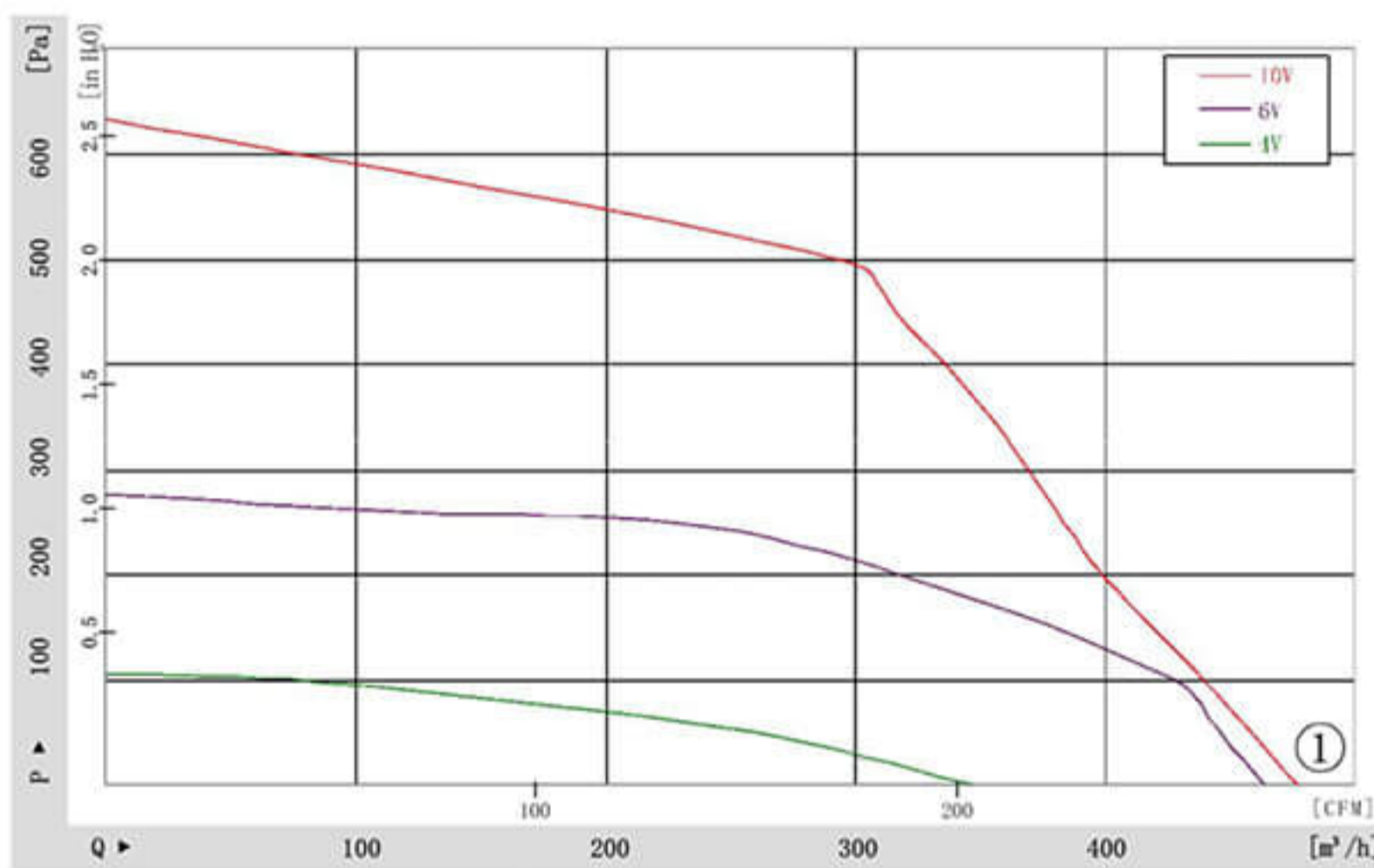
Approvals: CCC CE

Insulation class: B

Specifications

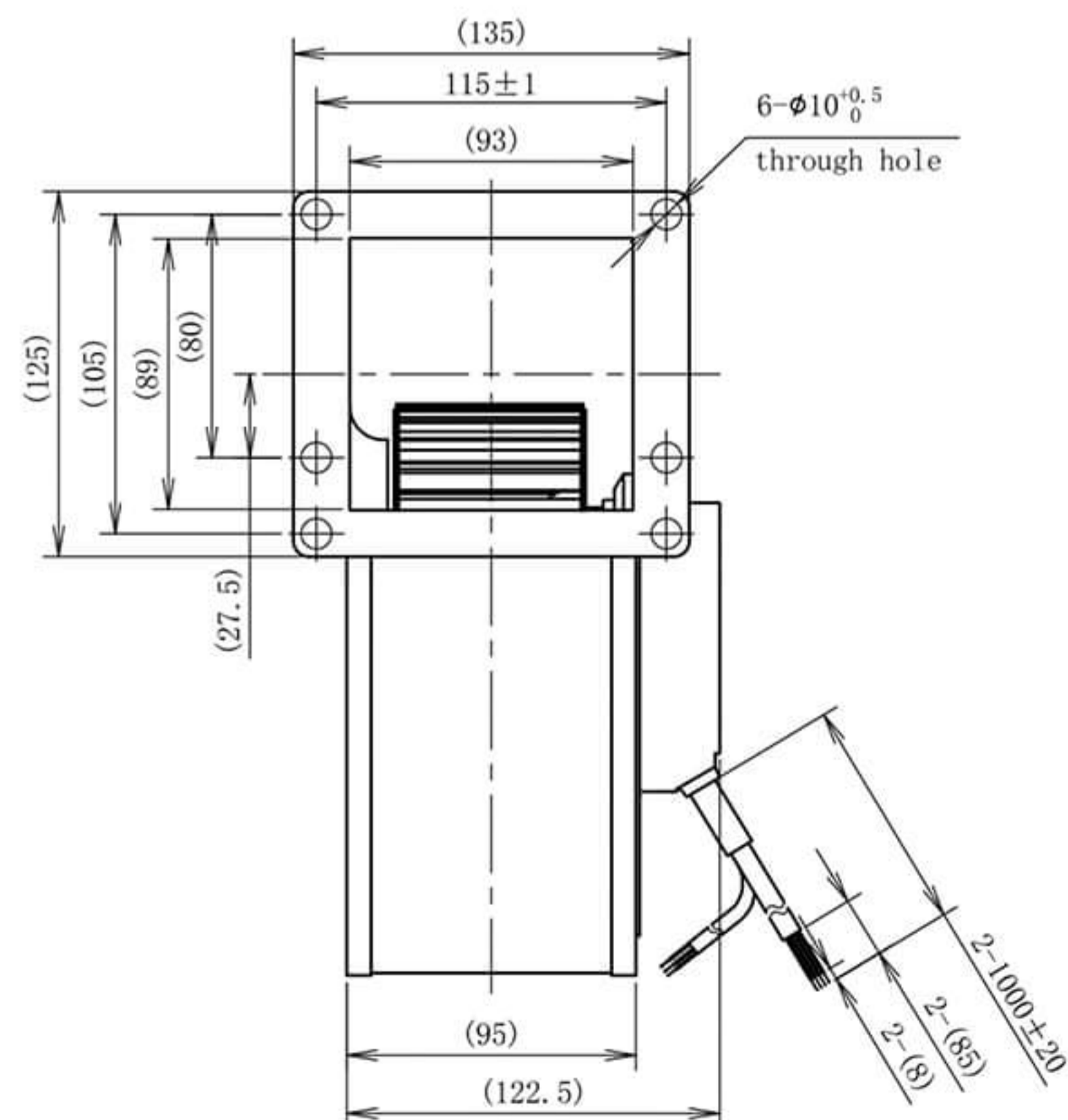
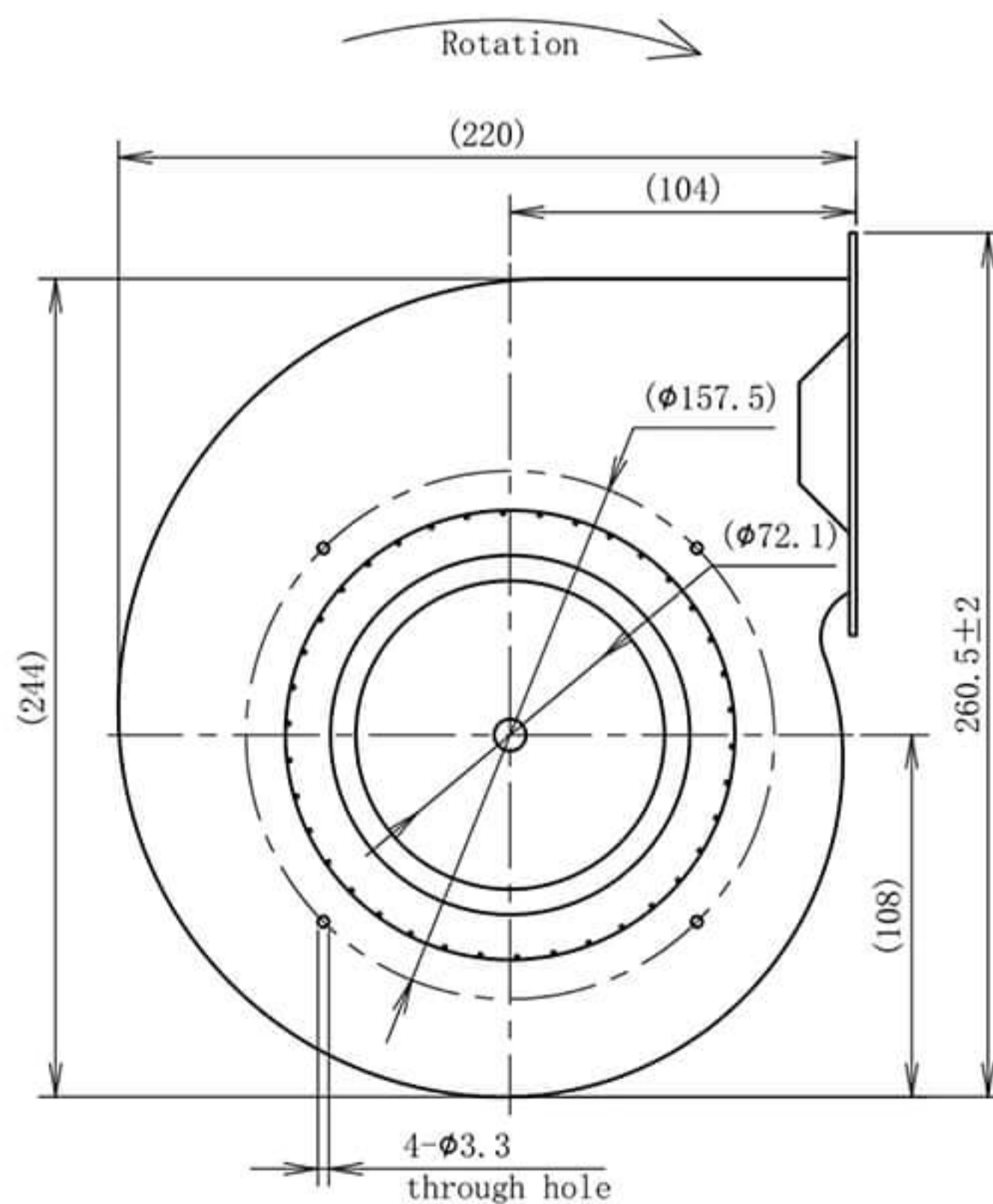
Type	Curve	Nominal voltage	Frequency	Speed	Power input	Current draw	Sound pressure level	Perm. amb. temp.
		[VAC]	[Hz]	[rpm]	[W]	[A]	[dB]	[°C]
BMF160-EC072-100	①	220	50/60	1600	80	0.6	61	-25~+60

Curves



SIGNAL	COLOR	SPEC	SIGNAL	COLOR	SPEC
L	BROWN	AC220V 50/60Hz	Vcc	RED	DC10V
N	BLUE	AC220V 50/60Hz	Vsp	YELLOW	0-10VDC/PWM
PE	YELLOW/GREEN	EARTH	GND	BLUE	GND
			FG	WHITE	12 Pulse/R

Dimensions





EC Single Inlet Forward Centrifugal Fans

Material: FAN-PA66, Volute-Galvanized Sheet

Type of protection: IP44

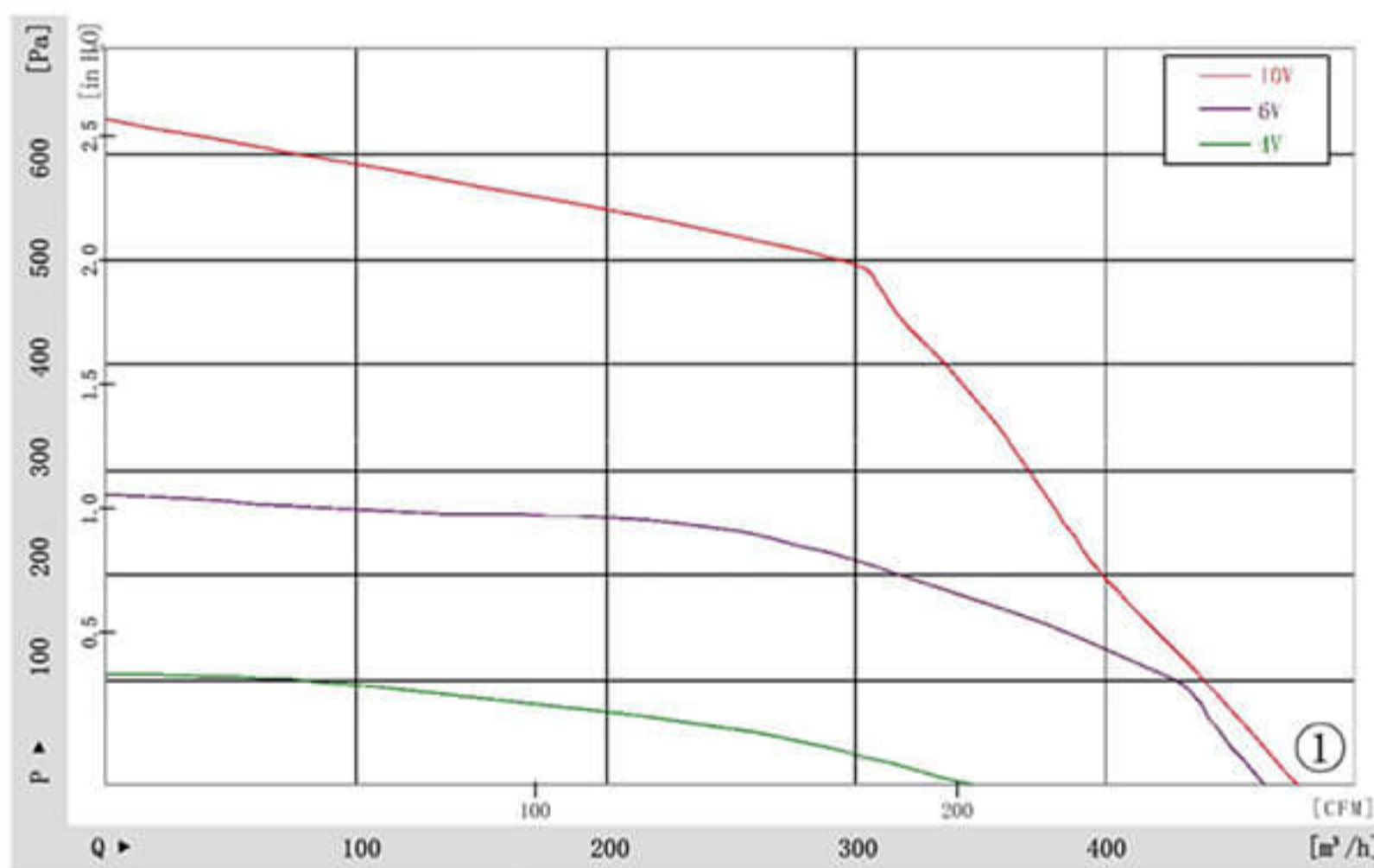
Approvals: CCC CE

Insulation class: B

Specifications

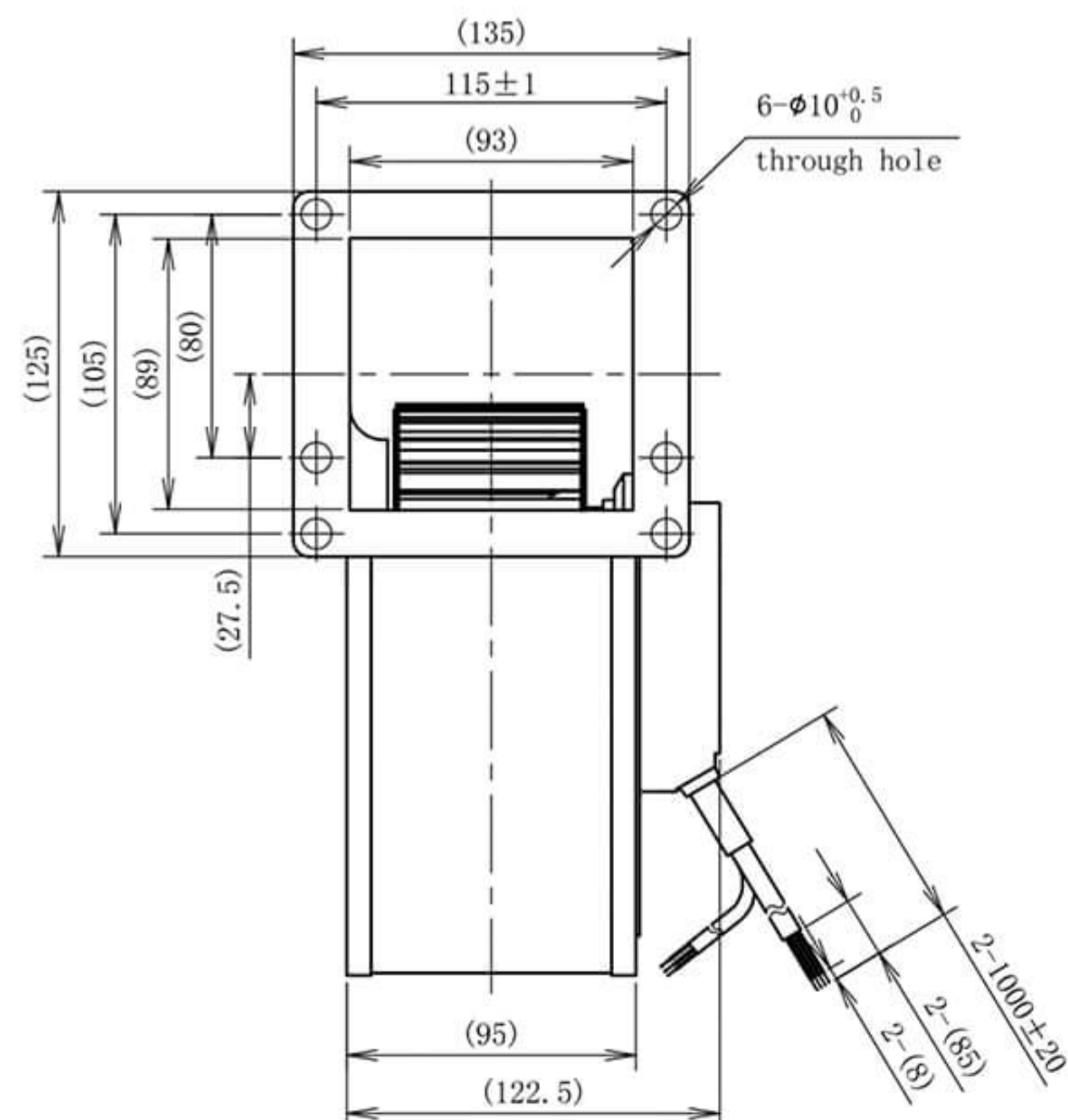
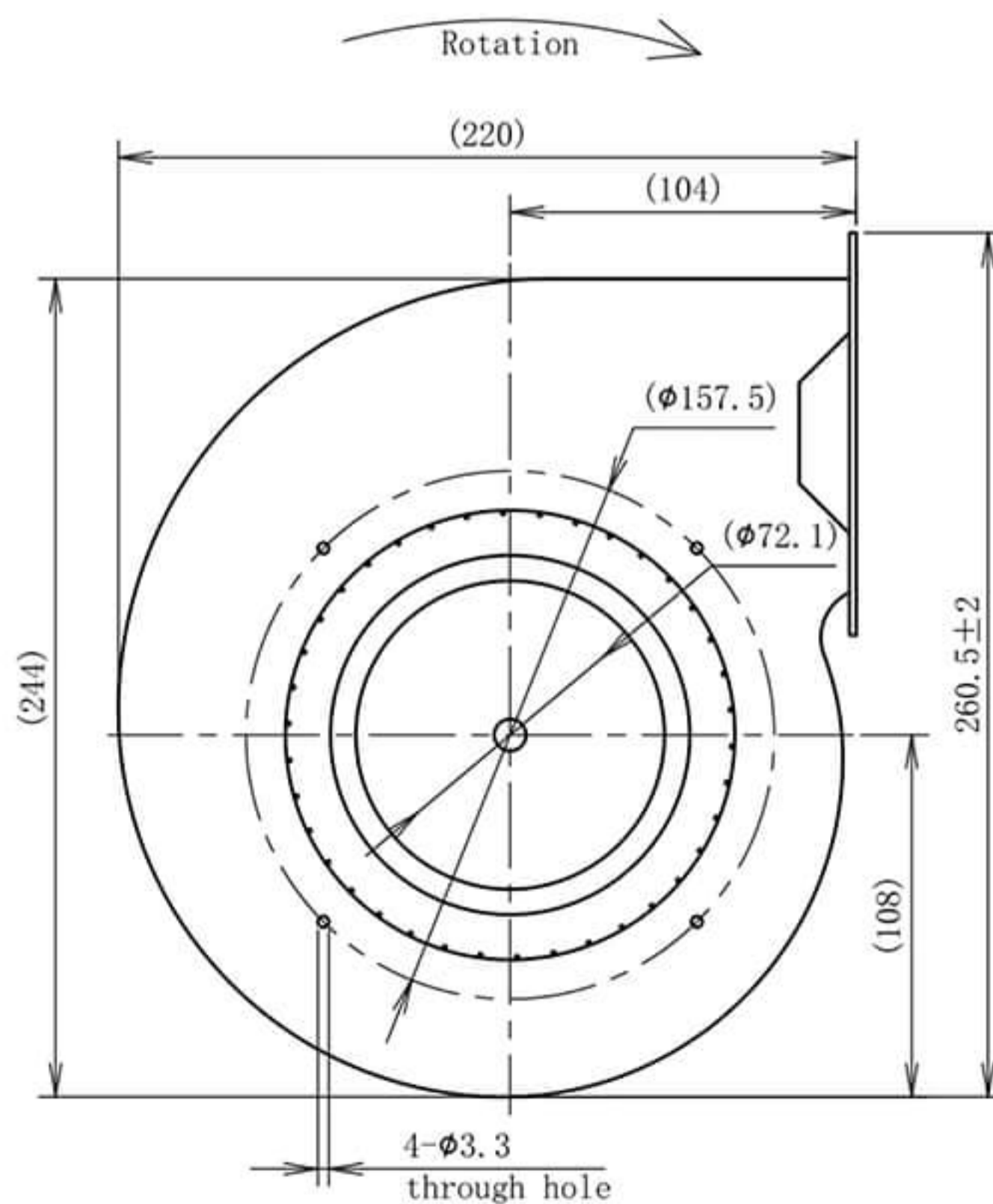
Type	Curve	Nominal voltage	Frequency	Speed	Power input	Current draw	Sound pressure level	Perm. amb. temp.
		[VAC]	[Hz]	[rpm]	[W]	[A]	[dB]	[°C]
BMF160-EC072-100	①	220	50/60	1600	80	0.6	61	-25~+60

Curves



SIGNAL	COLOR	SPEC	SIGNAL	COLOR	SPEC
L	BROWN	AC220V 50/60Hz	Vcc	RED	DC10V
N	BLUE	AC220V 50/60Hz	Vsp	YELLOW	0-10VDC/PWM
PE	YELLOW/GREEN	EARTH	GND	BLUE	GND
			FG	WHITE	12 Pulse/R

Dimensions





EC Single Inlet Forward Centrifugal Fans

Material: PA66

Type of protection: IP44

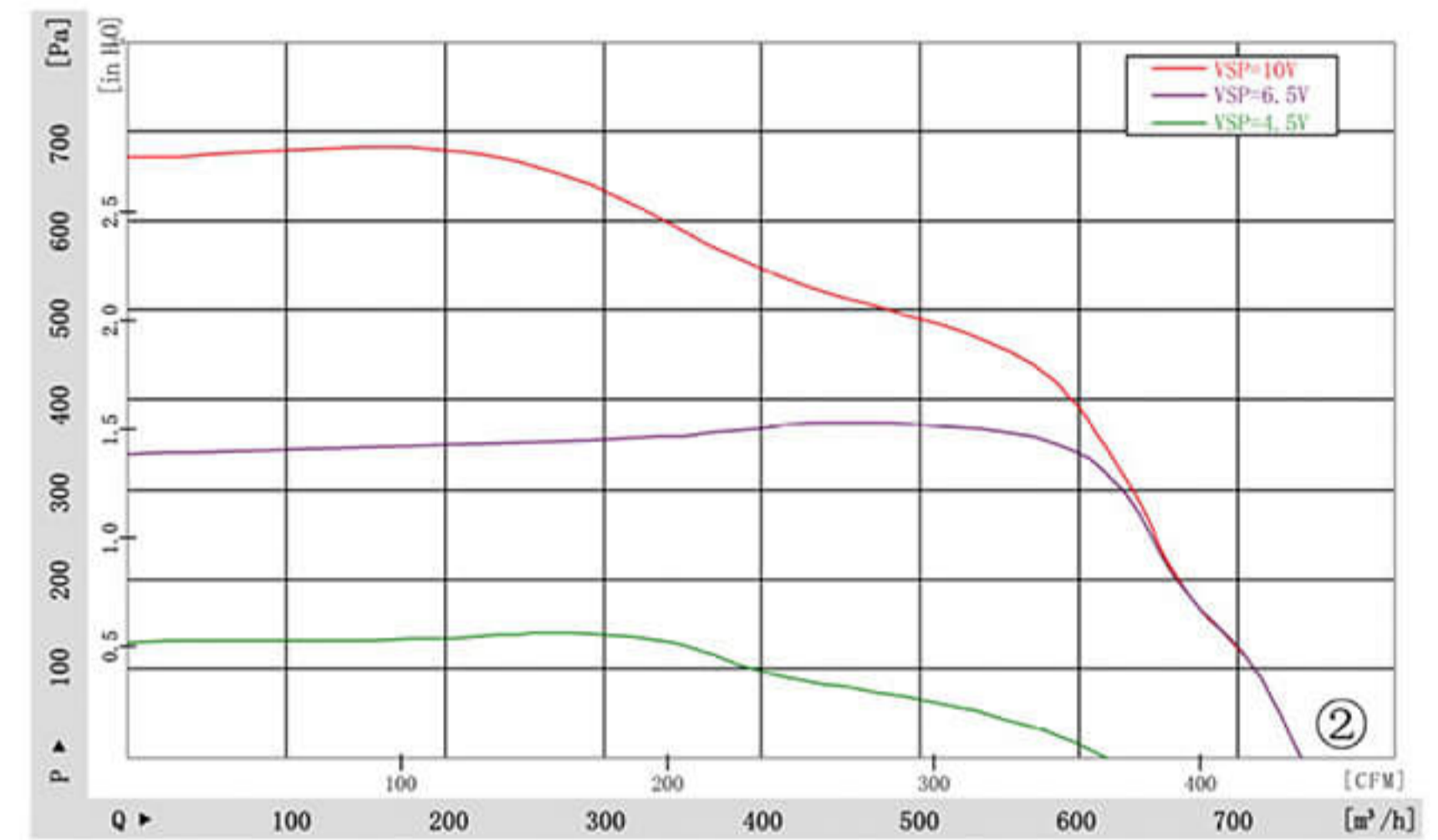
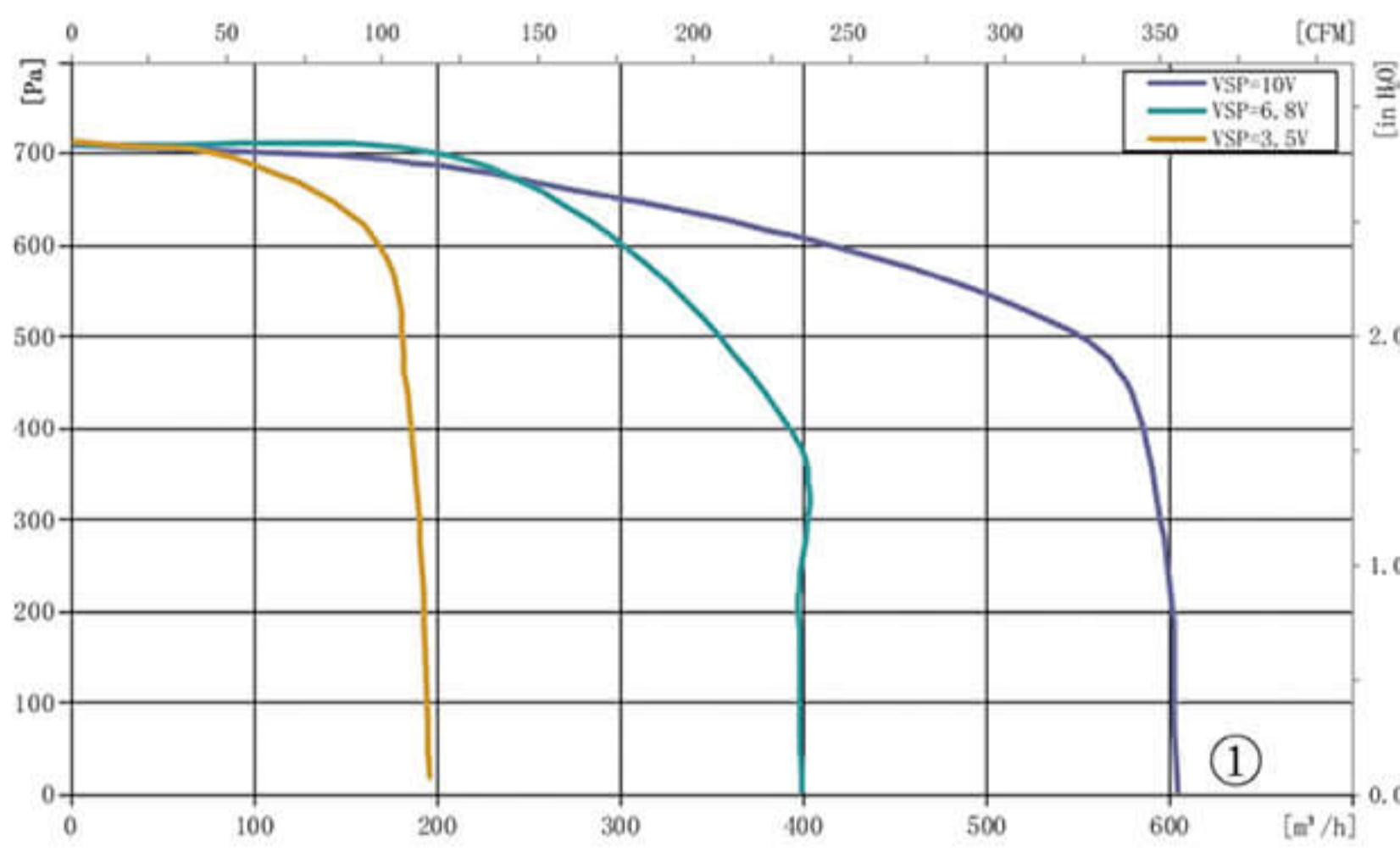
Approvals: CCC CE

Insulation class: B

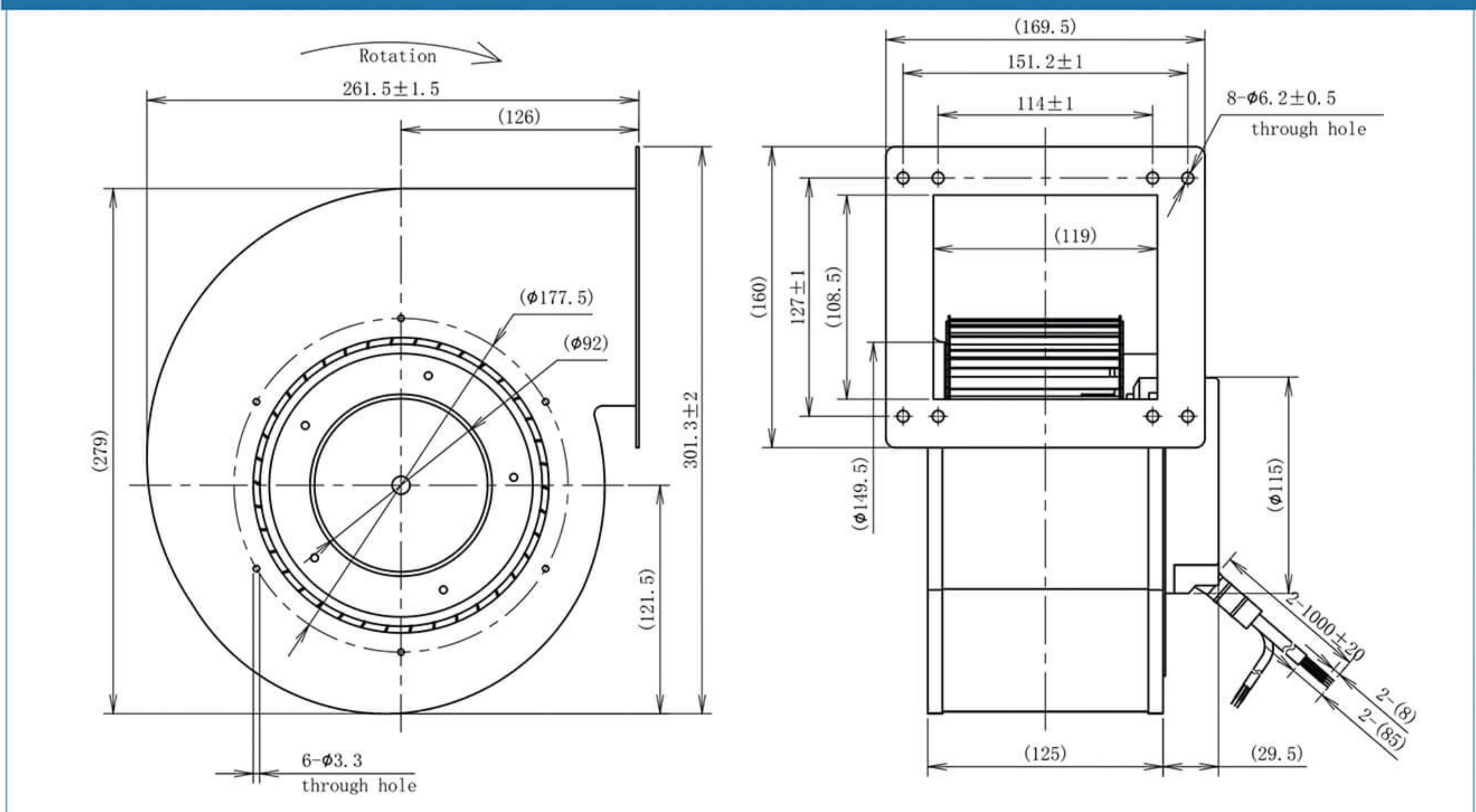
Specifications

Type	Curve	Nominal voltage	Frequency	Speed	Power input	Current draw	Sound pressure level	Perm. amb. temp.
		[VAC]	[Hz]	[rpm]	[W]	[A]	[dB]	[°C]
BMF180-EC092-606	①	220	50/60	1200	90	0.6	59	-25~+60
BMF180-EC092-003	②	220	50/60	1600	180	1.3	65	-25~+60

Curves



Dimensions





EC Single Inlet Forward Centrifugal Fans

Material: Galvanised sheet steel

Type of protection: IP44

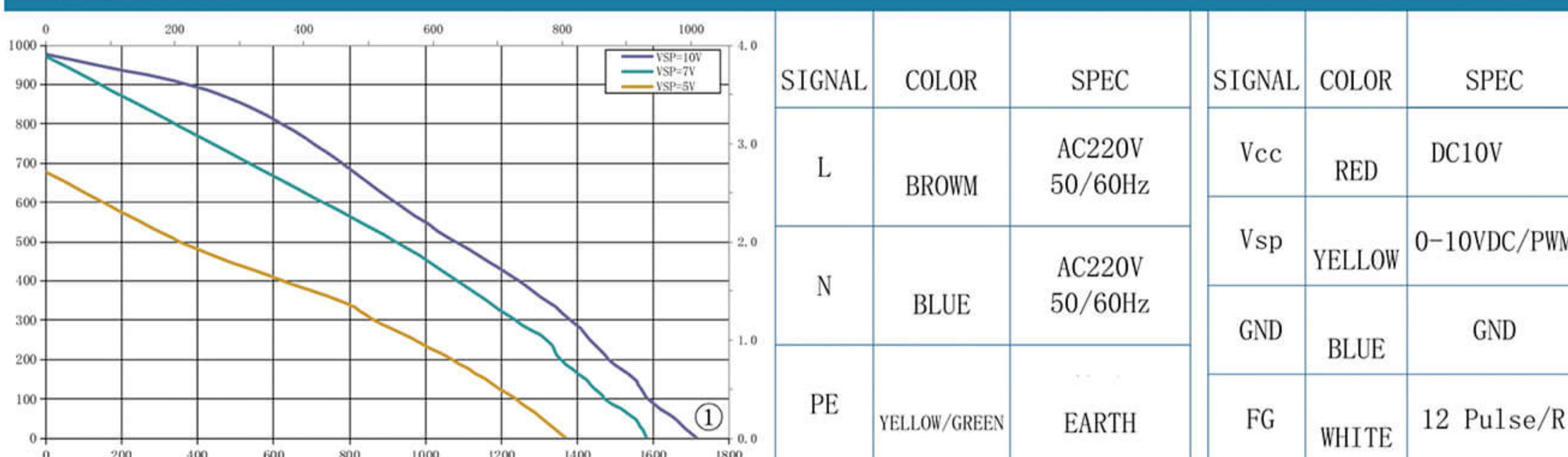
Approvals: CCC CE

Insulation class: B

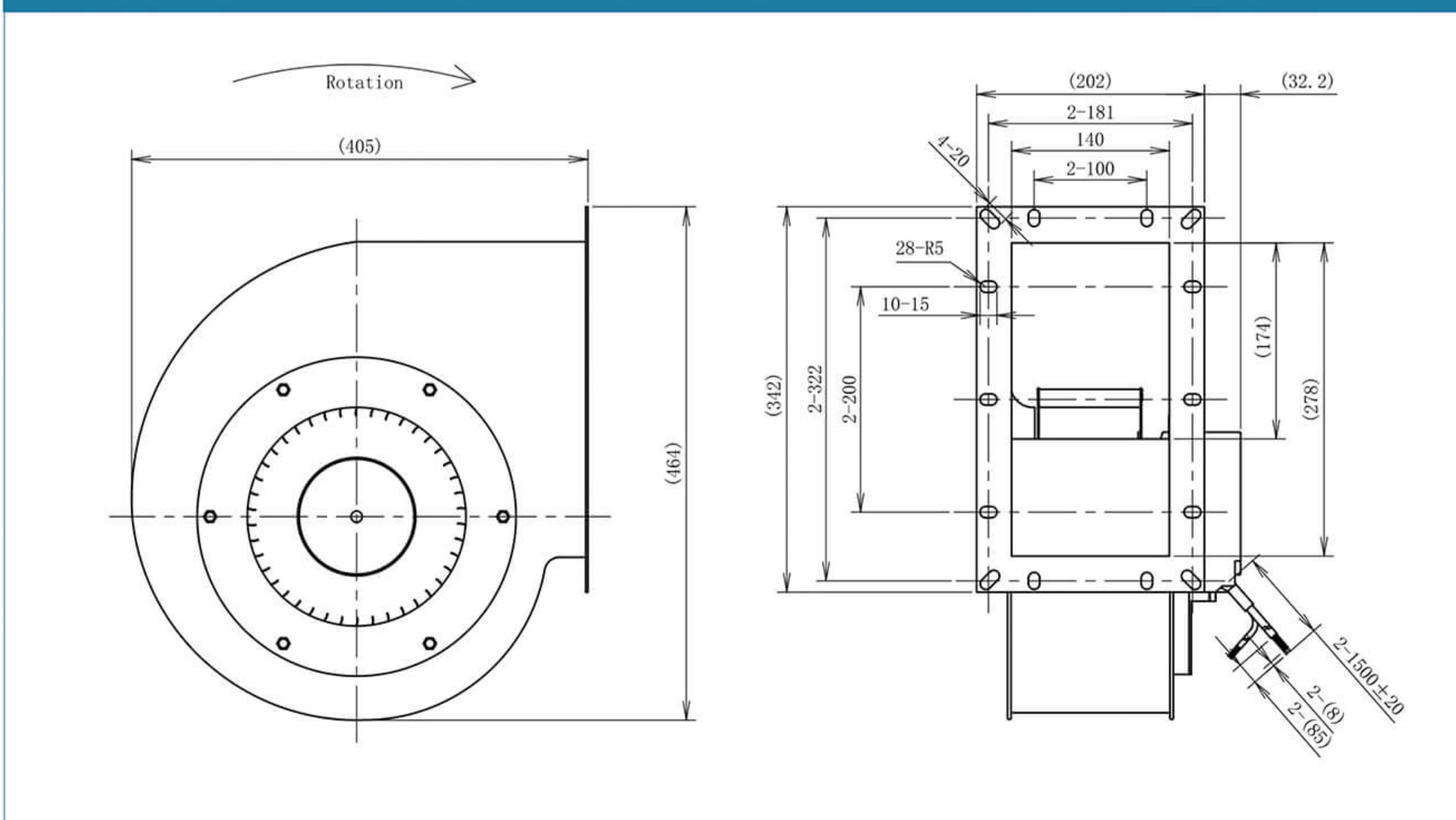
Specifications

Type	Curve	Nominal voltage	Frequency	Speed	Power input	Current draw	Sound pressure level	Perm. amb. temp.
		[VAC]	[Hz]	[rpm]	[W]	[A]	[dB]	[°C]
BMF225-EC102-009	①	220	50/60	1250	400	1.85	69	-25~+60

Curves



Dimensions





EC Single Inlet Forward Centrifugal Fans

Material: Galvanised sheet steel

Type of protection: IP44

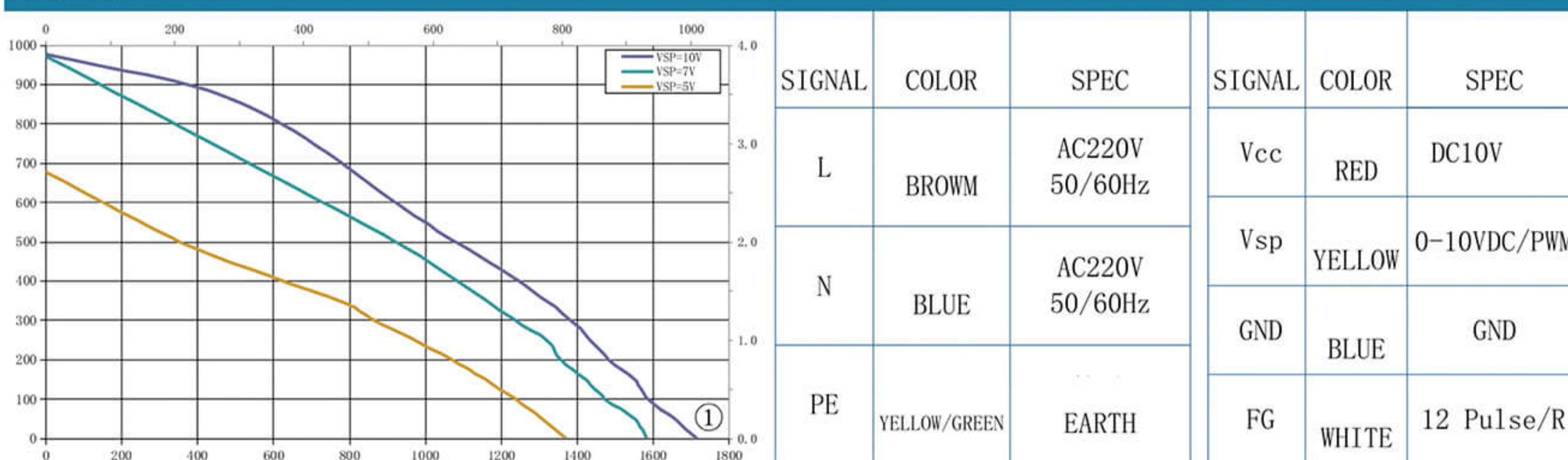
Approvals: CCC CE

Insulation class: B

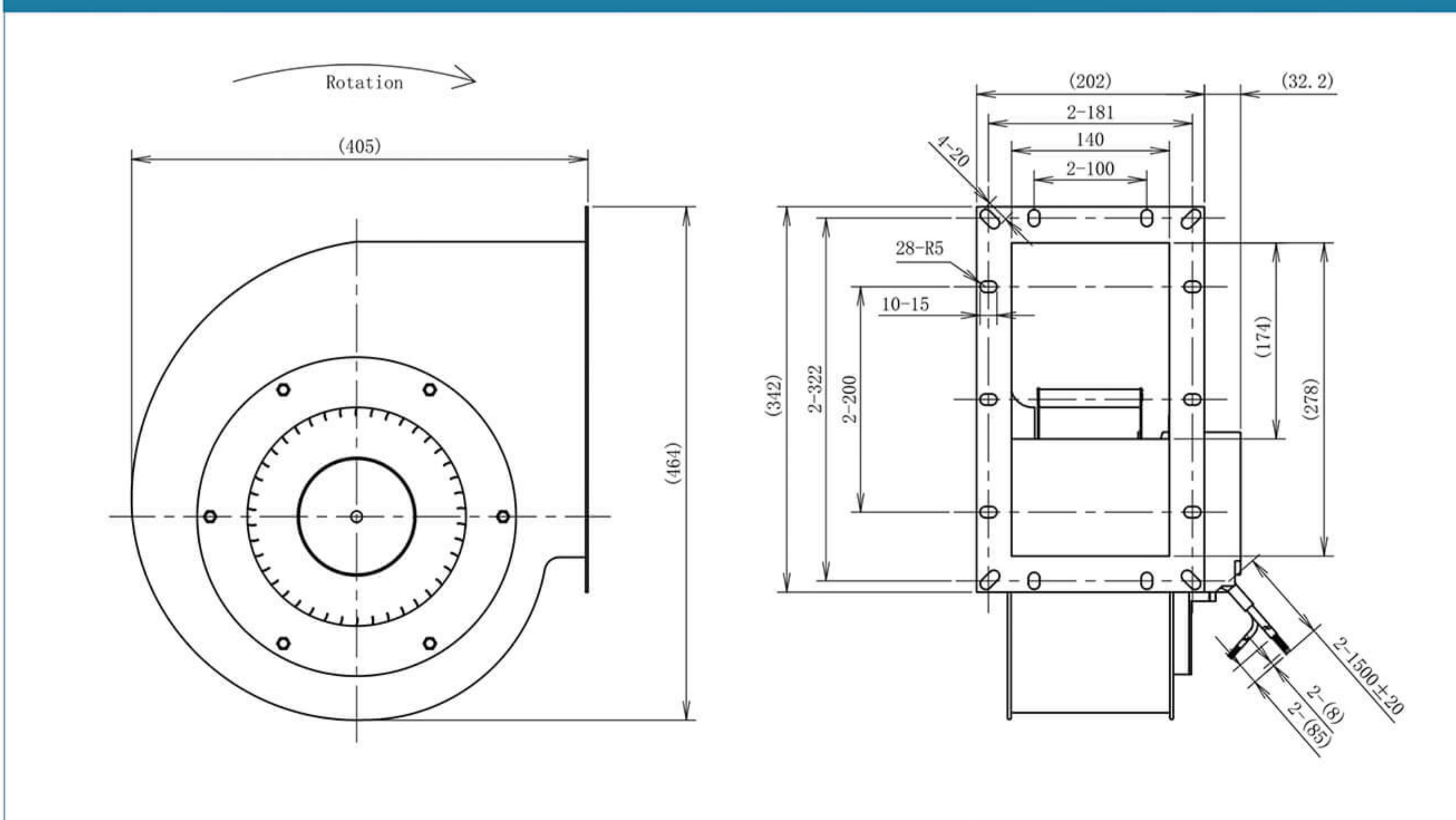
Specifications

Type	Curve	Nominal voltage	Frequency	Speed	Power input	Current draw	Sound pressure level	Perm. amb. temp.
		[VAC]	[Hz]	[rpm]	[W]	[A]	[dB]	[°C]
BMF225-EC102-009	①	220	50/60	1250	400	1.85	69	-25~+60

Curves



Dimensions





EC Single Inlet Forward Centrifugal Fa

Material: Galvanised sheet steel

Type of protection: IP44

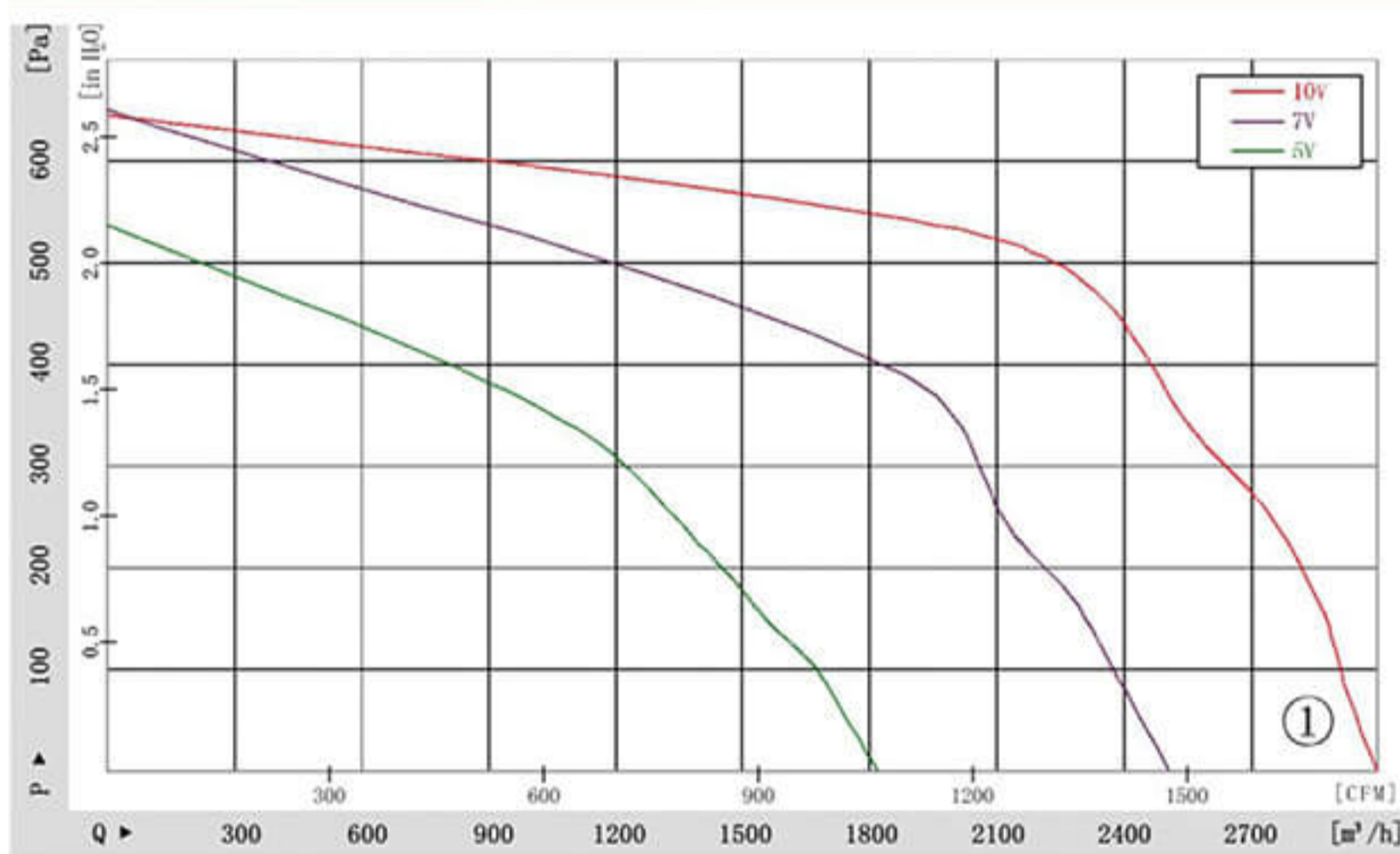
Approvals: CCC CE

Insulation class: B

Specifications

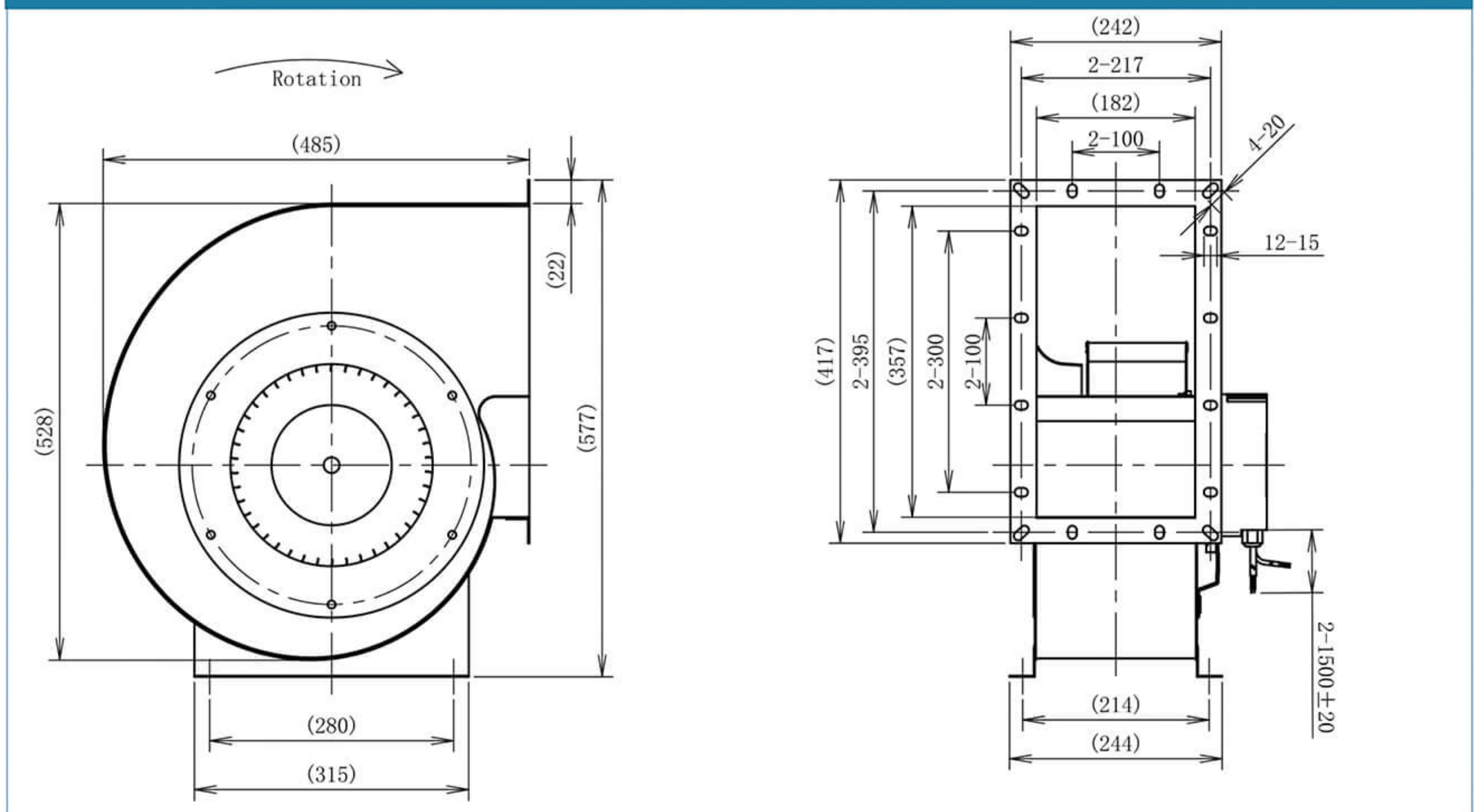
Type	Curve	Nominal voltage	Frequency	Speed	Power input	Current draw	Sound pressure level	Perm. amb. temp.
BMF280-EC137-001		[VAC]	[Hz]	[rpm]	[W]	[A]	[dB]	[°C]
	①	3~380	50/60	1150	950	1.6	79	-25~+60

Curves



SIGNAL	COLOR	SPEC	SIGNAL	COLOR	SPEC
L1	BLACK	AC380V 50/60Hz	Vcc	RED	DC10V
L2	BLACK	AC380V 50/60Hz	Vsp	YELLOW	0-10VDC/PWM
L3	BLACK	AC380V 50/60Hz	GND	BLUE	GND
PE	YELLOW/GREEN	EARTH	FG	WHITE	12 Pulse/R

Dimensions





EC Single Inlet Forward Centrifugal Fa

Material: Galvanised sheet steel

Type of protection: IP44

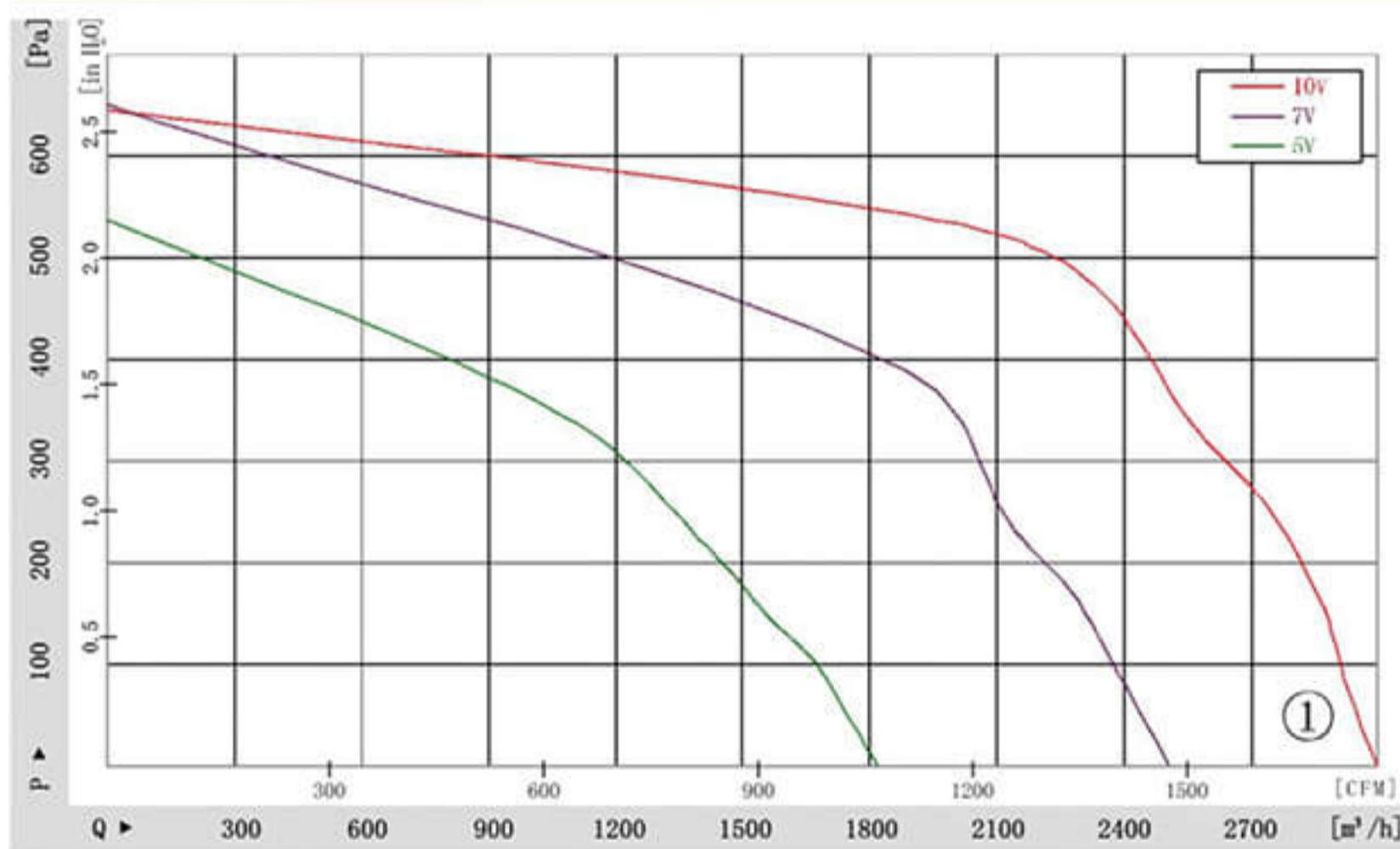
Approvals: CCC CE

Insulation class: B

Specifications

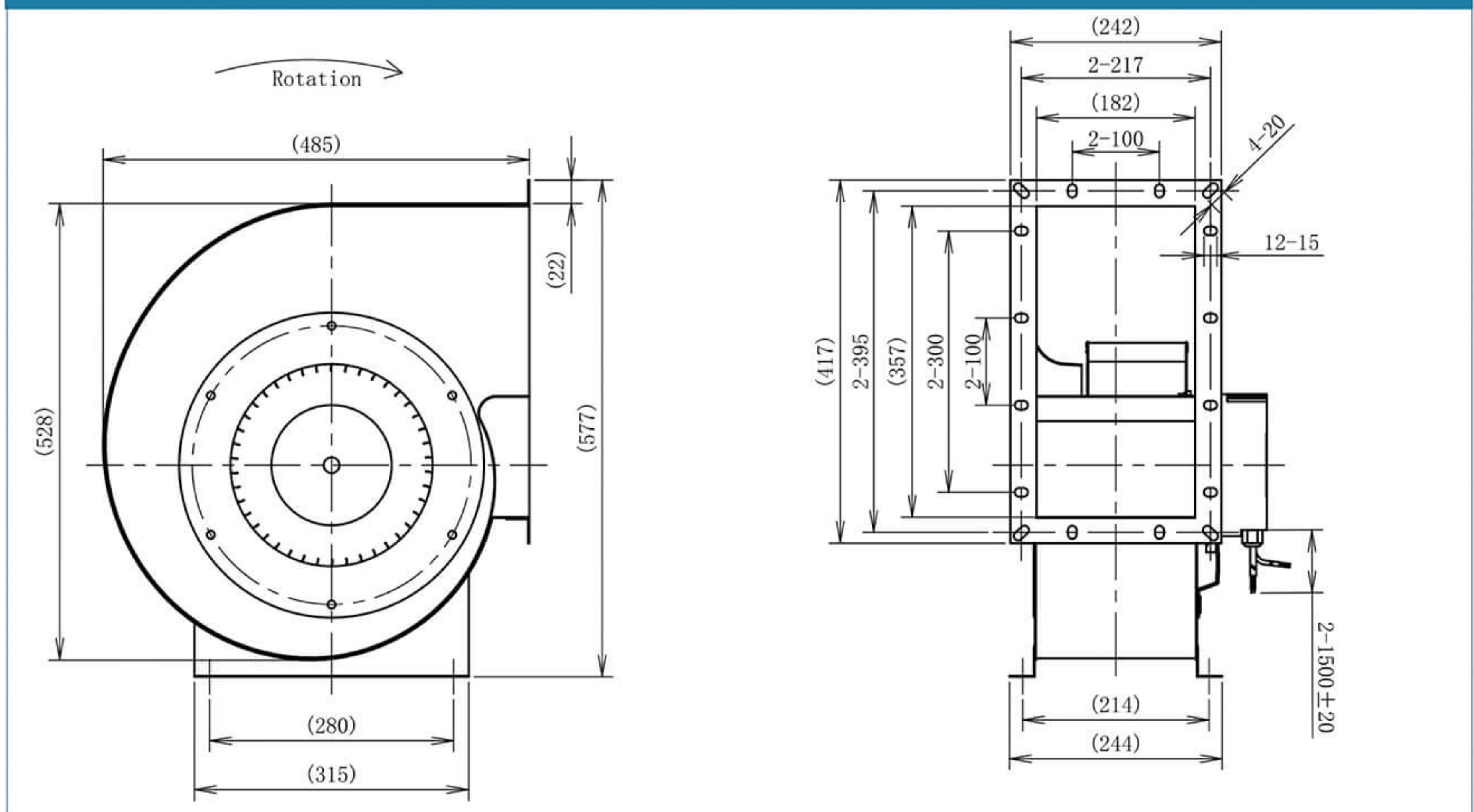
Type	Curve	Nominal voltage	Frequency	Speed	Power input	Current draw	Sound pressure level	Perm. amb. temp.
BMF280-EC137-001		[VAC]	[Hz]	[rpm]	[W]	[A]	[dB]	[°C]
	①	3~380	50/60	1150	950	1.6	79	-25~+60

Curves



SIGNAL	COLOR	SPEC	SIGNAL	COLOR	SPEC
L1	BLACK	AC380V 50/60Hz	Vcc	RED	DC10V
L2	BLACK	AC380V 50/60Hz	Vsp	YELLOW	0-10VDC/PWM
L3	BLACK	AC380V 50/60Hz	GND	BLUE	GND
PE	YELLOW/GREEN	EARTH	FG	WHITE	12 Pulse/R

Dimensions





EC Dual Inlet Forward Centrifugal Fans

Material: Galvanised sheet steel

Type of protection: IP44

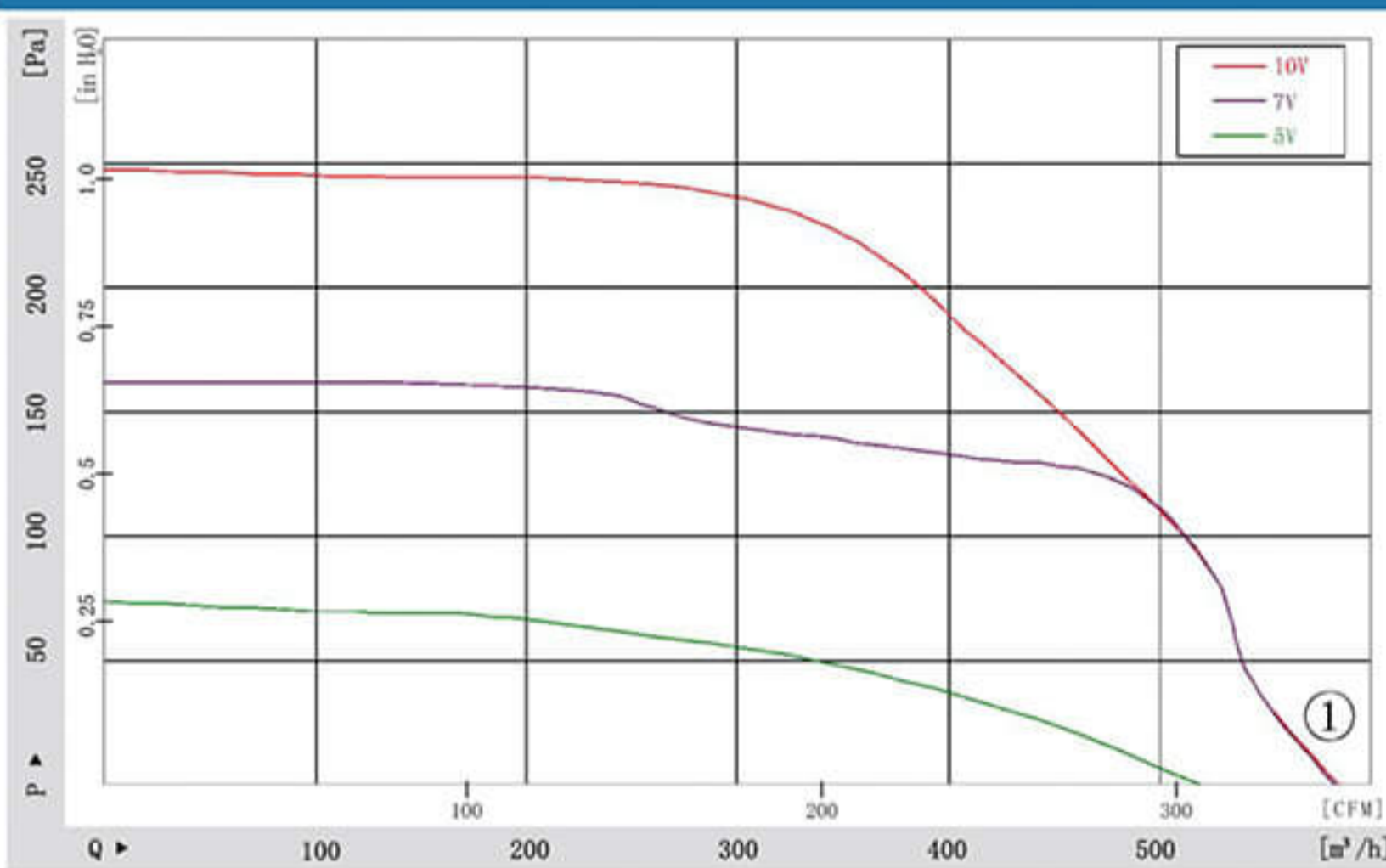
Approvals: CCC CE

Insulation class: B

Specifications

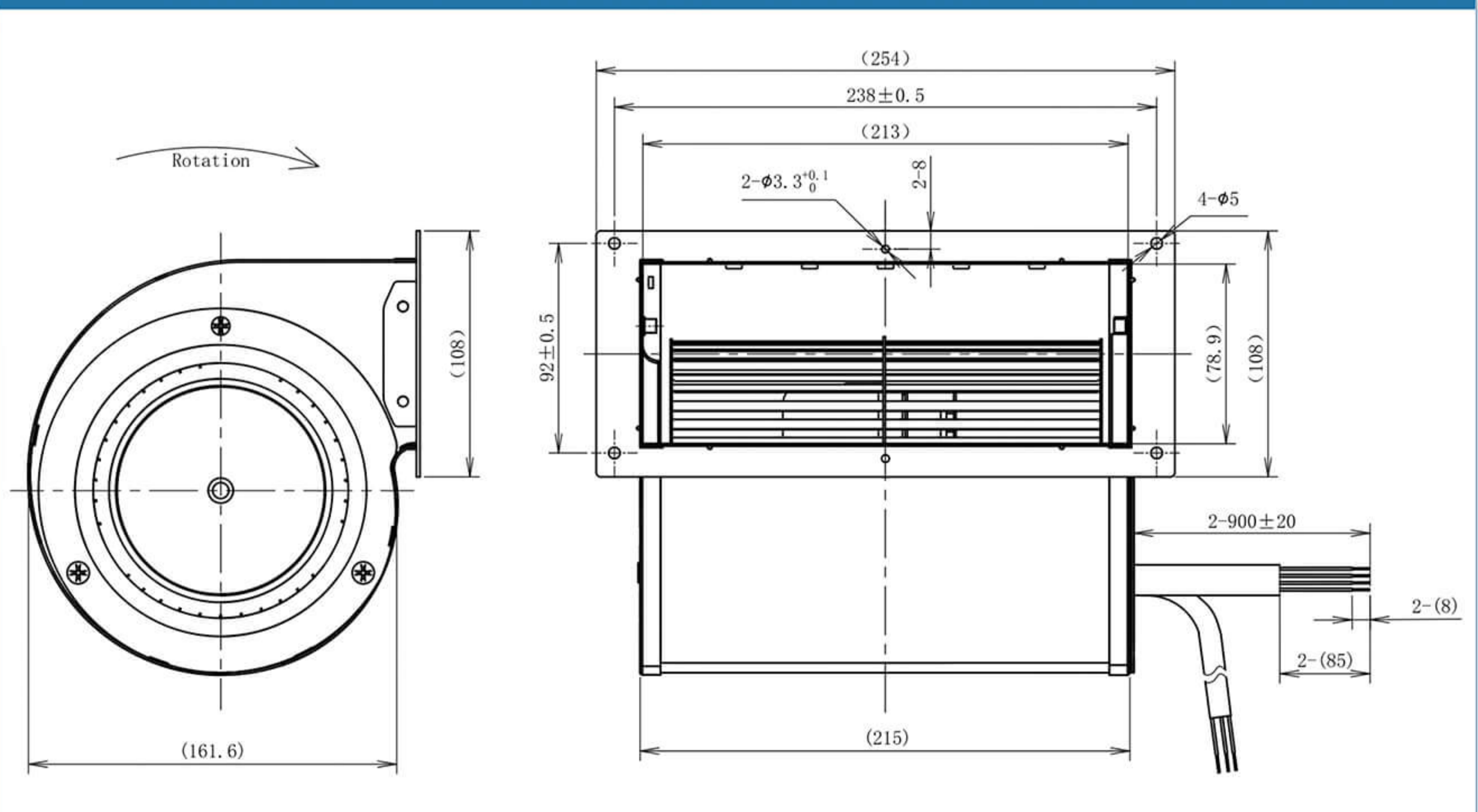
Type	Curve	Nominal voltage	Frequency	Speed	Power input	Current draw	Sound pressure level	Perm. amb. temp.
		[VAC]	[Hz]	[rpm]	[W]	[A]	[dB]	[°C]
BMF133-EC072-016	①	220	50/60	1500	80	0.6	59	-25~+60

Curves



SIGNAL	COLOR	SPEC	SIGNAL	COLOR	SPEC
L	BROWN	AC220V 50/60Hz	Vcc	RED	DC10V OUTPUT
N	BLUE	AC220V 50/60Hz	Vsp	YELLOW	0-10VDC/PWM
PE	YELLOW/GREEN	EARTH	GND	BLUE	GND
			FG	WHITE	1 Pulse/R

Dimensions





EC Dual Inlet Forward Centrifugal Fans

Material: Galvanised sheet steel

Type of protection: IP44

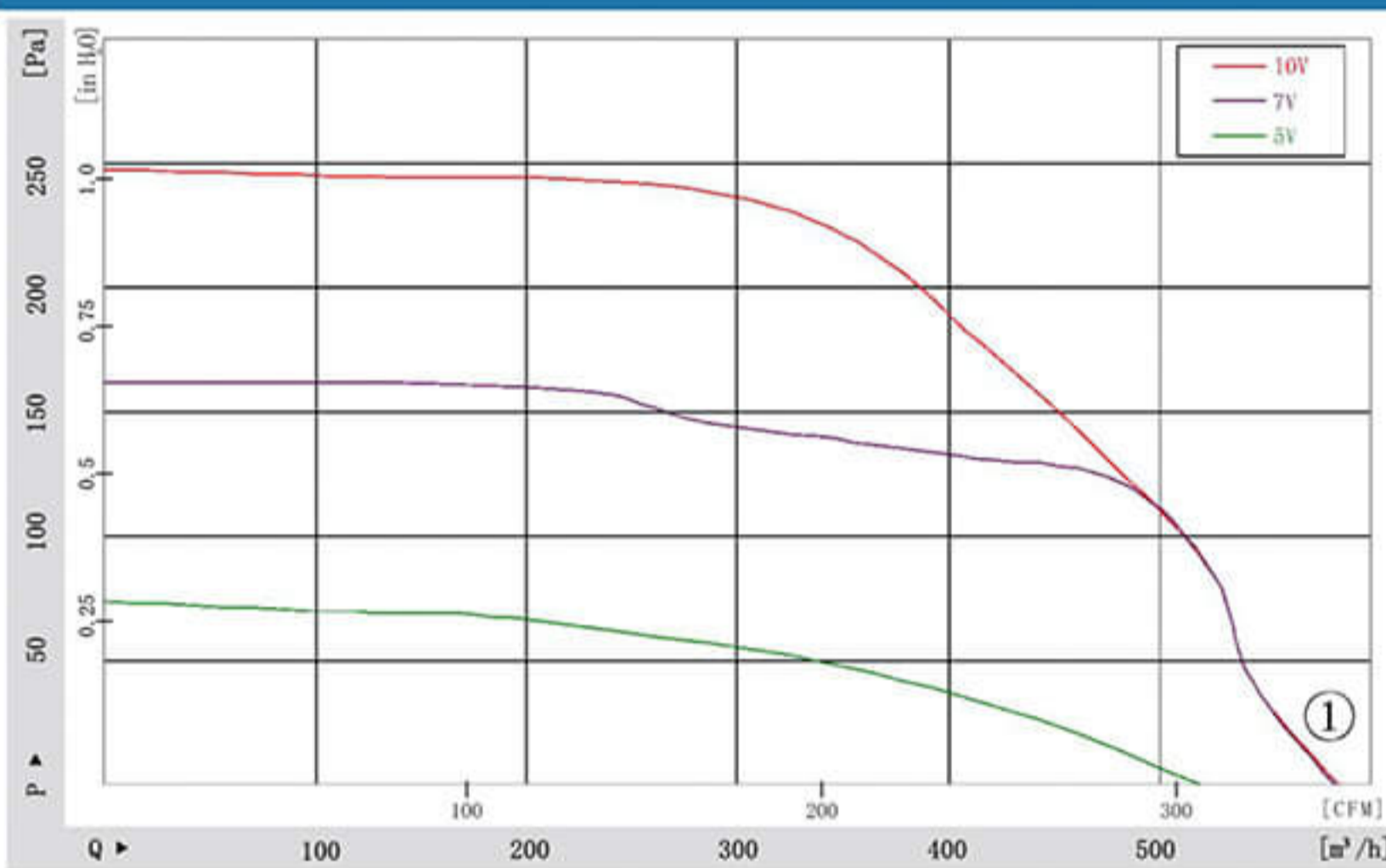
Approvals: CCC CE

Insulation class: B

Specifications

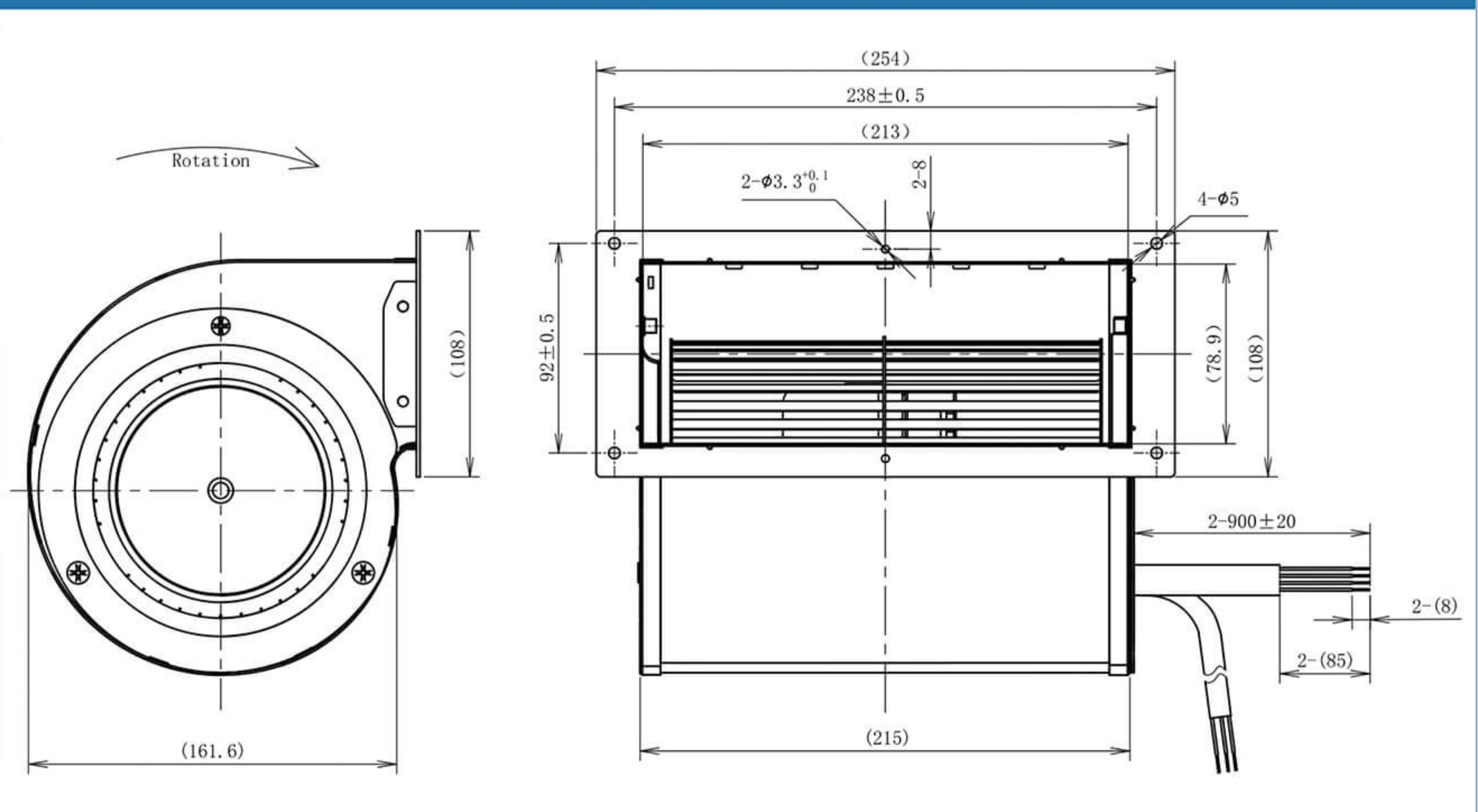
Type	Curve	Nominal voltage	Frequency	Speed	Power input	Current draw	Sound pressure level	Perm. amb. temp.
		[VAC]	[Hz]	[rpm]	[W]	[A]	[dB]	[°C]
BMF133-EC072-016	①	220	50/60	1500	80	0.6	59	-25~+60

Curves



SIGNAL	COLOR	SPEC	SIGNAL	COLOR	SPEC
L	BROWN	AC220V 50/60Hz	Vcc	RED	DC10V OUTPUT
N	BLUE	AC220V 50/60Hz	Vsp	YELLOW	0-10VDC/PWM
PE	YELLOW/GREEN	EARTH	GND	BLUE	GND
			FG	WHITE	1 Pulse/R

Dimensions





EC Dual Inlet Forward Centrifugal Fans

Material: PA66

Type of protection: IP44

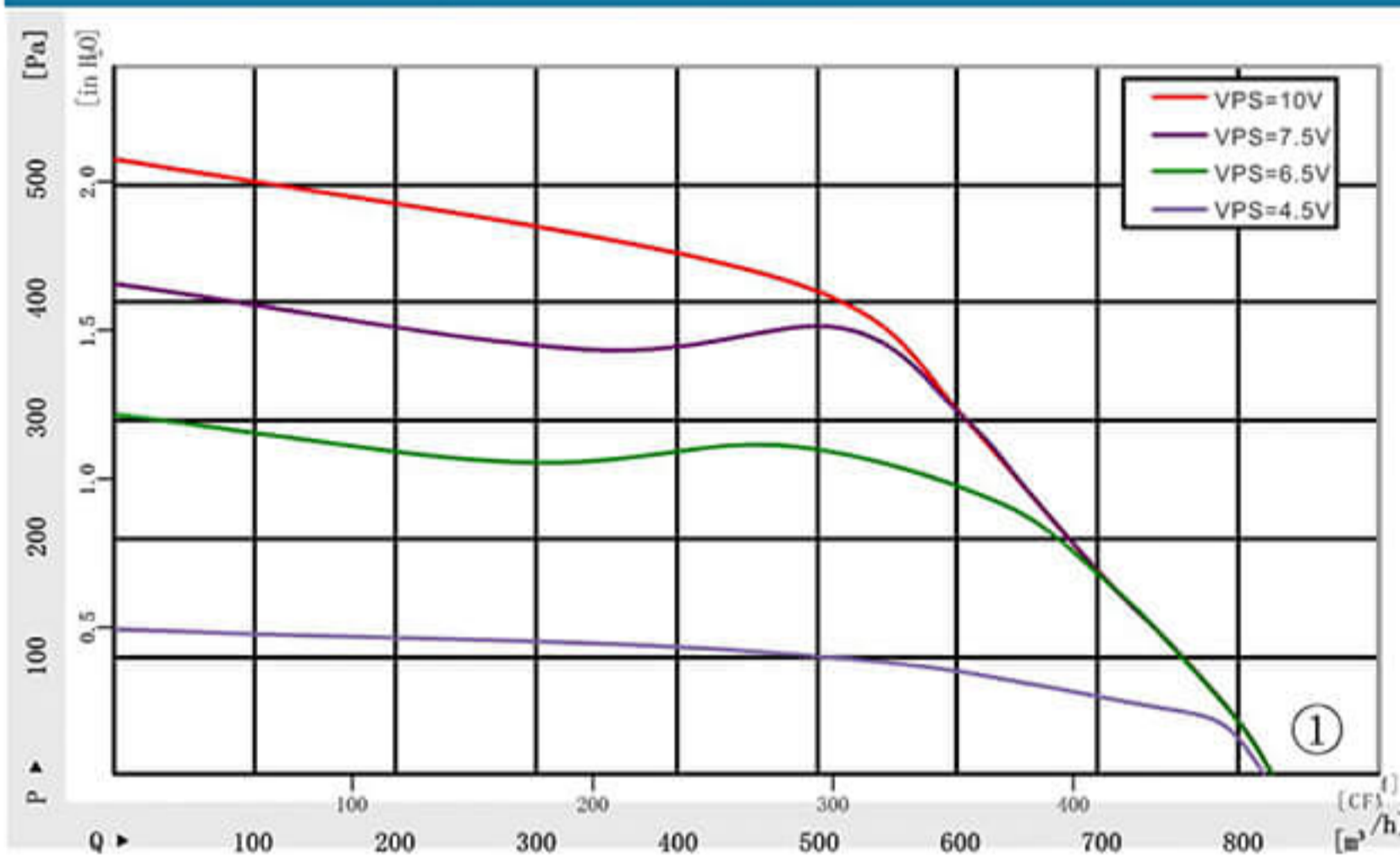
Approvals: CCC CE

Insulation class: B

Specifications

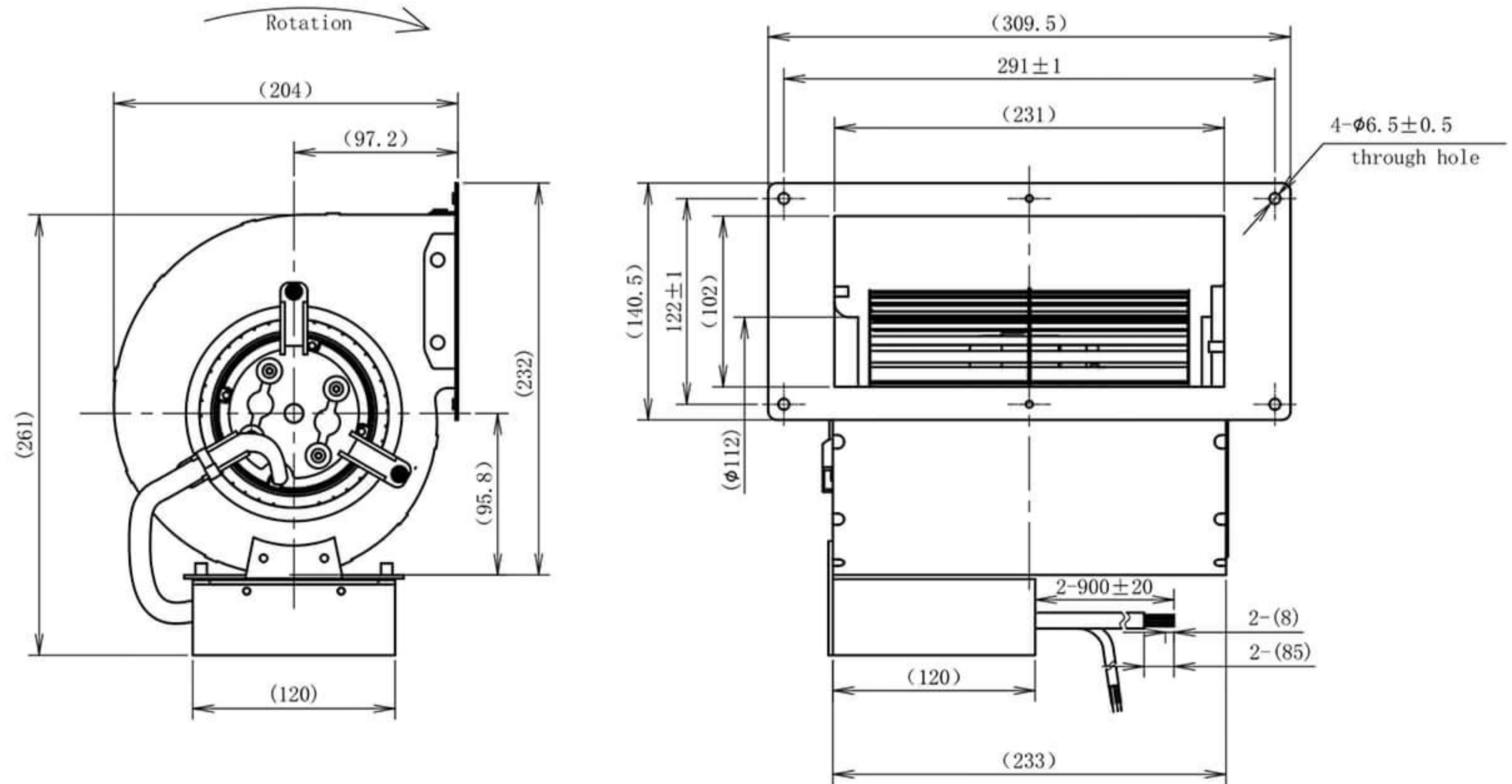
Type	Curve	Nominal voltage	Frequency	Speed	Power input	Current draw	Sound pressure level	Perm. amb. temp.
		[VAC]	[Hz]	[rpm]	[W]	[A]	[dB]	[°C]
BMF146-EC092-035	①	220	50/60	1300	80	0.6	59	-25~+60

Curves



SIGNAL	COLOR	SPEC	SIGNAL	COLOR	SPEC
L	BROWN	AC220V 50/60Hz	Vcc	RED	DC10V OUTPUT
N	BLUE	AC220V 50/60Hz	Vsp	YELLOW	0-10VDC/PWM
PE	YELLOW/GREEN	EARTH	GND	BLUE	GND
			FG	WHITE	1 Pulse/R

Dimensions



* The controller built-out



EC Dual Inlet Forward Centrifugal Fans

Material: PA66

Type of protection: IP44

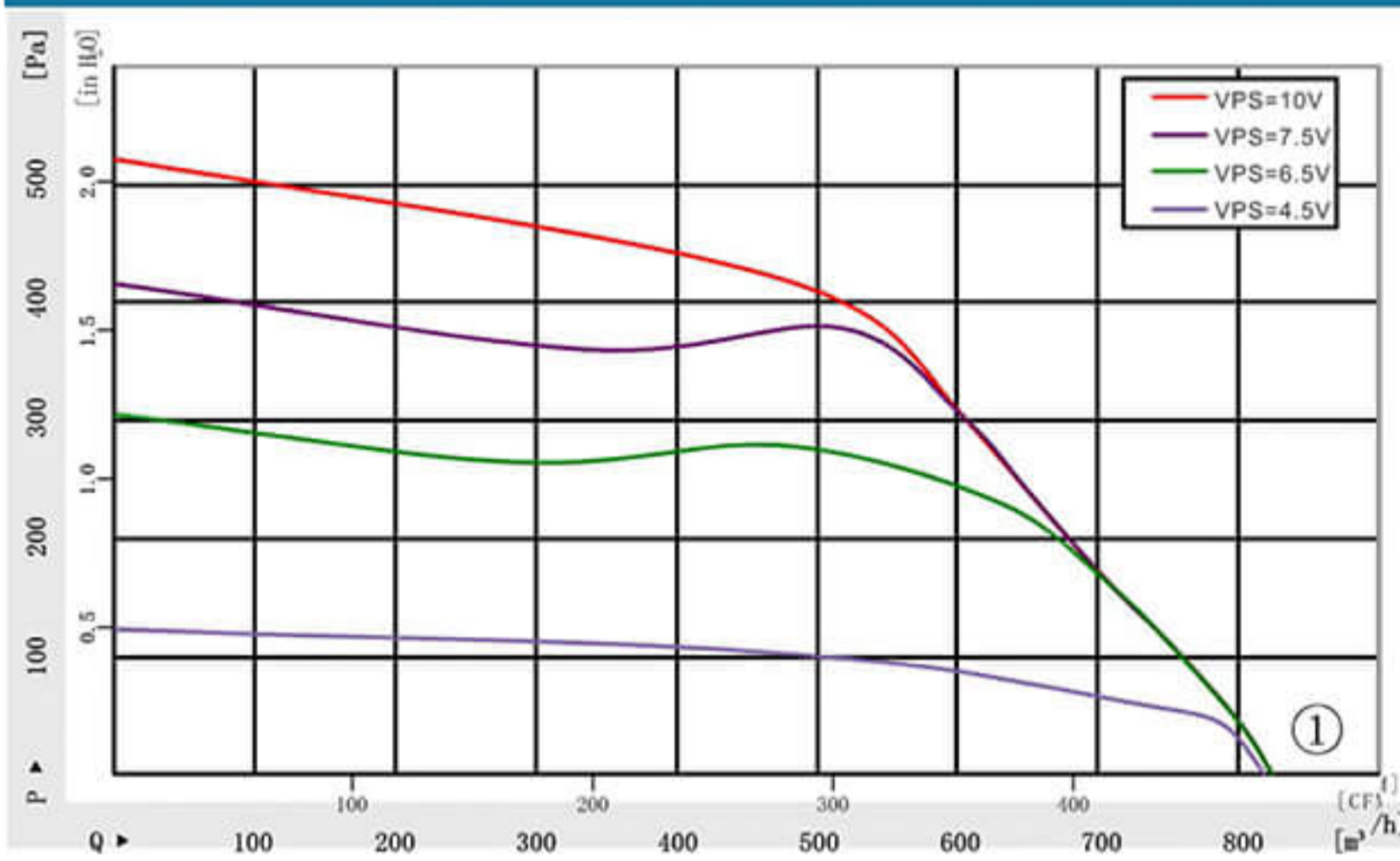
Approvals: CCC CE

Insulation class: B

Specifications

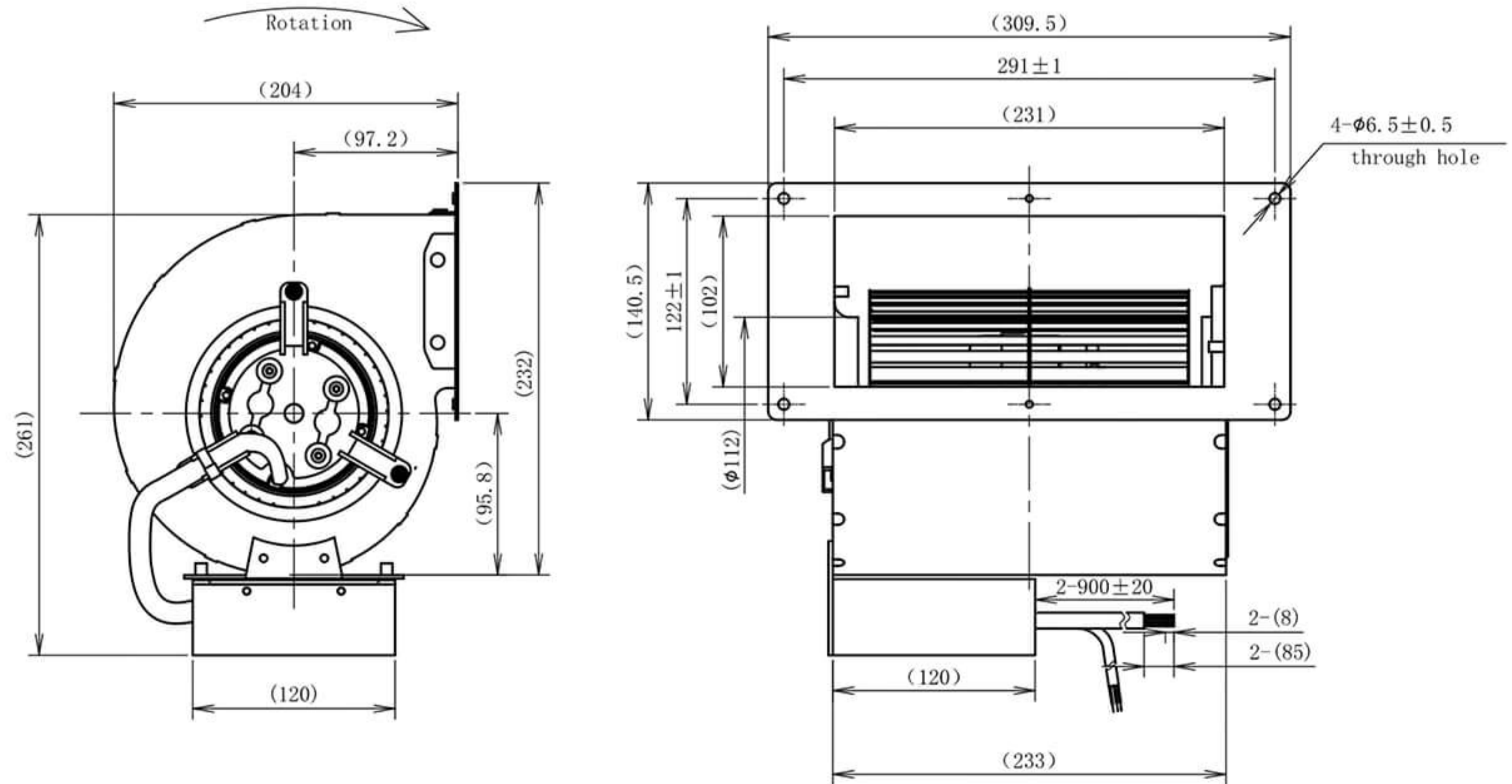
Type	Curve	Nominal voltage	Frequency	Speed	Power input	Current draw	Sound pressure level	Perm. amb. temp.
		[VAC]	[Hz]	[rpm]	[W]	[A]	[dB]	[°C]
BMF146-EC092-035	①	220	50/60	1300	80	0.6	59	-25~+60

Curves



SIGNAL	COLOR	SPEC	SIGNAL	COLOR	SPEC
L	BROWN	AC220V 50/60Hz	Vcc	RED	DC10V OUTPUT
N	BLUE	AC220V 50/60Hz	Vsp	YELLOW	0-10VDC/PWM
PE	YELLOW/GREEN	EARTH	GND	BLUE	GND
			FG	WHITE	1 Pulse/R

Dimensions



* The controller built-out



EC Dual Inlet Forward Centrifugal Fans

Material: FAN-PA66, Volute-Galvanized Sheet

Type of protection: IP44

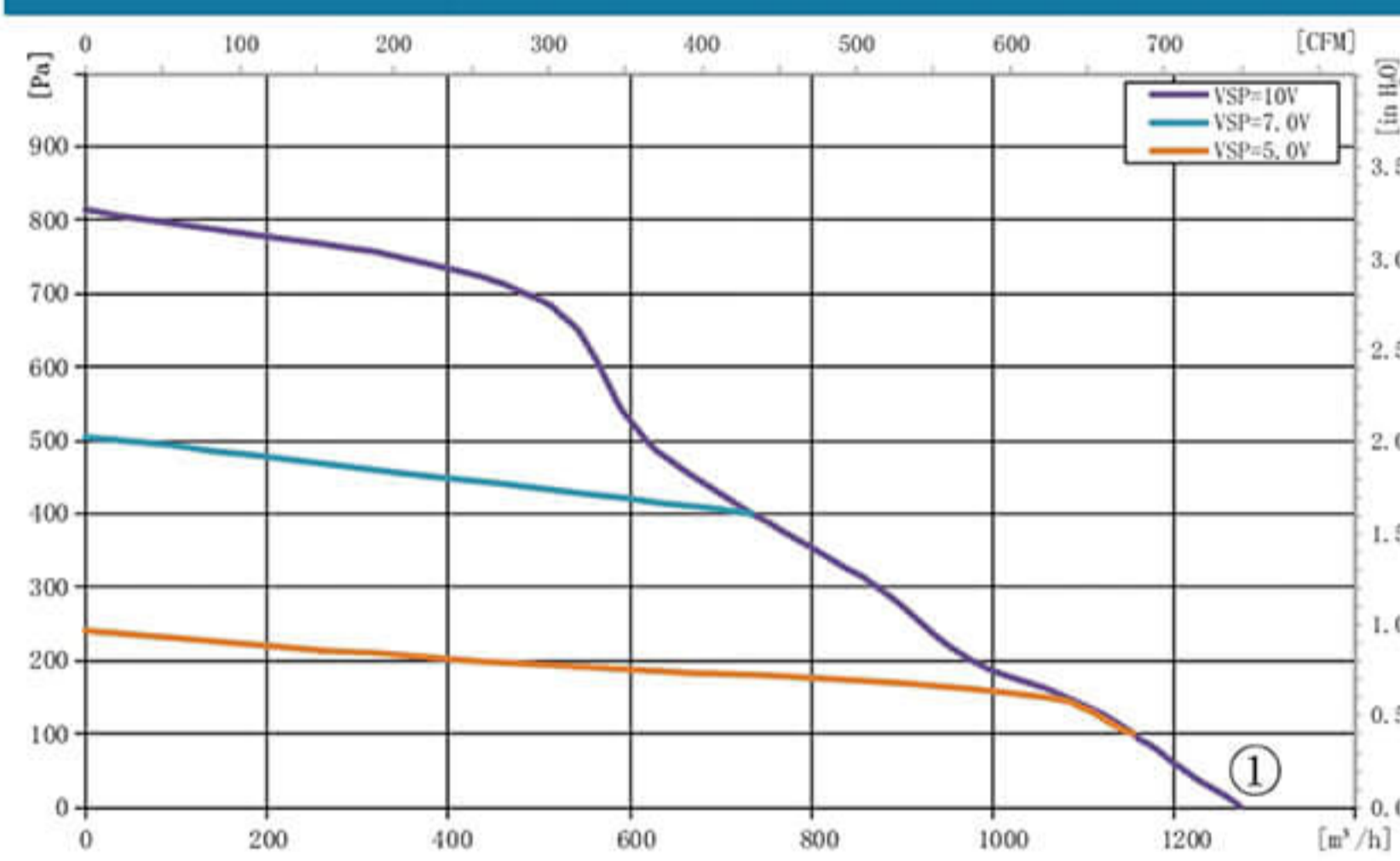
Approvals: CCC CE

Insulation class: B

Specifications

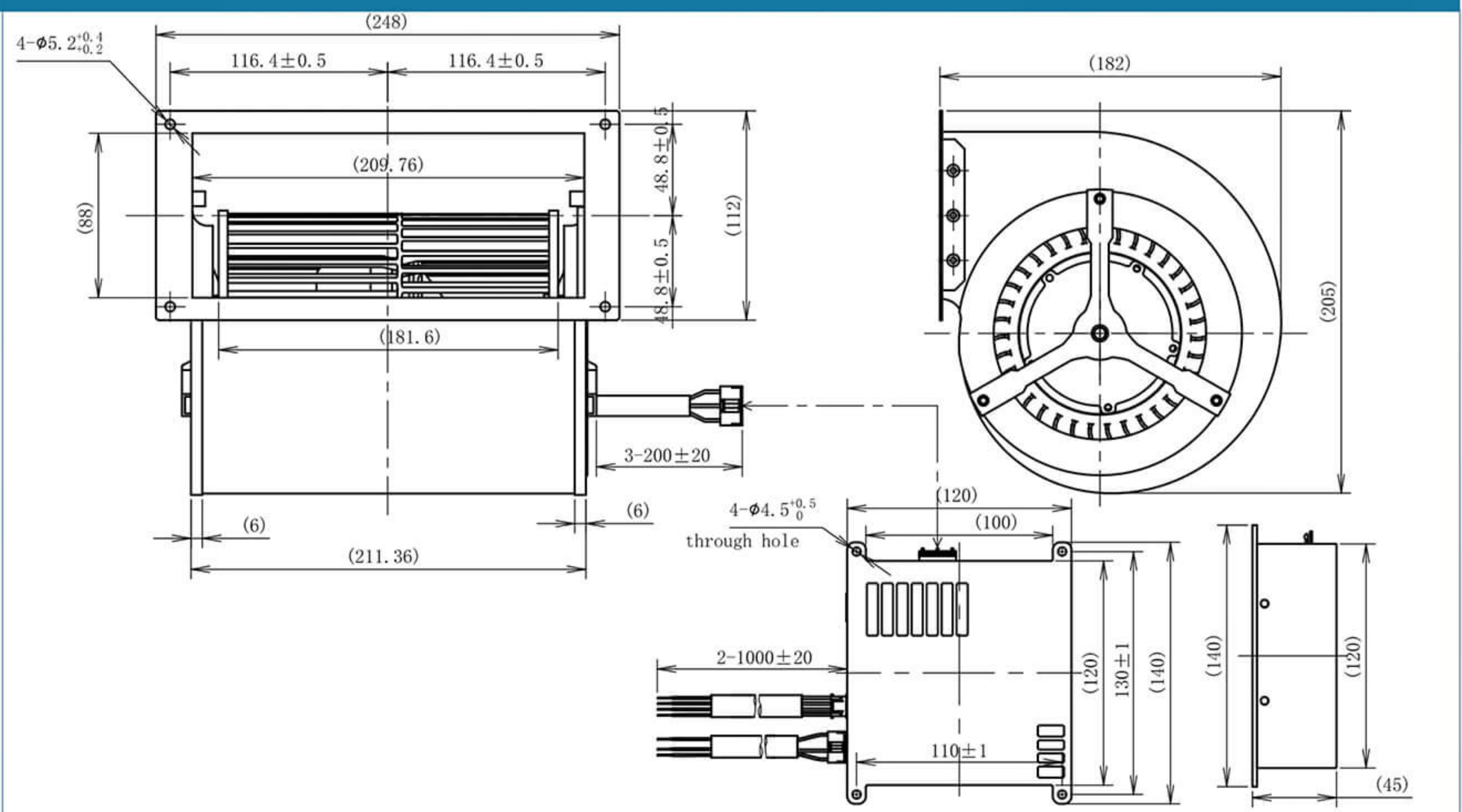
Type	Curve	Nominal voltage	Frequency	Speed	Power input	Current draw	Sound pressure level	Perm. amb. temp.
		[VAC]	[Hz]	[rpm]	[W]	[A]	[dB]	[°C]
BMF160-EC092-064	①	220	50/60	1150	120	0.9	60	-20~+40

Curves



SIGNAL	COLOR	SPEC	SIGNAL	COLOR	SPEC
L	BROWN	AC220V 50/60Hz	Vcc	RED	DC10V OUTPUT
N	BLUE	AC220V 50/60Hz	Vsp	YELLOW	0-10VDC/PWM
PE	YELLOW/GREEN	EARTH	GND	BLUE	GND
			FG	WHITE	1 Pulse/R

Dimensions





EC Dual Inlet Forward Centrifugal Fans

Material: FAN-PA66, Volute-Galvanized Sheet

Type of protection: IP44

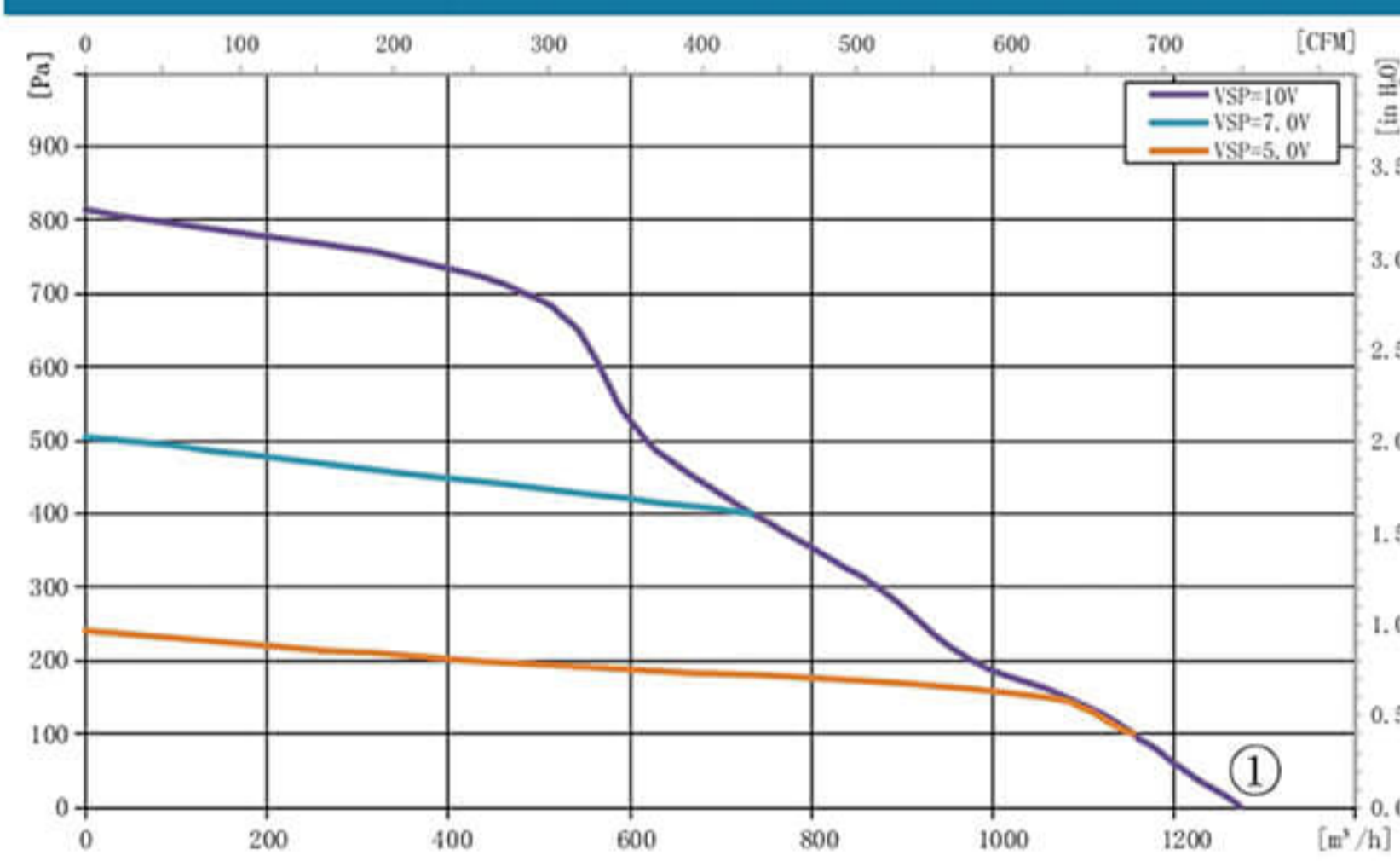
Approvals: CCC CE

Insulation class: B

Specifications

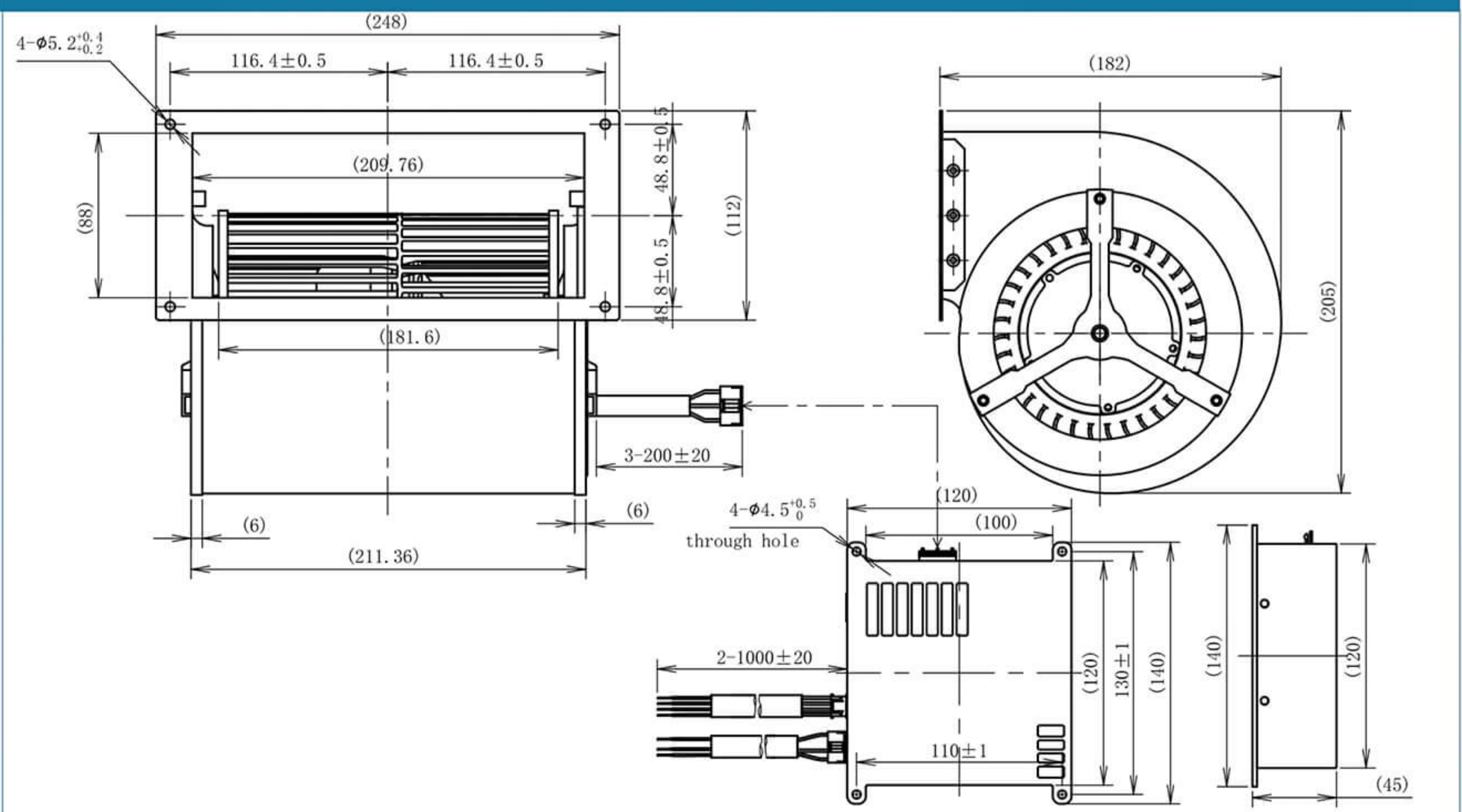
Type	Curve	Nominal voltage	Frequency	Speed	Power input	Current draw	Sound pressure level	Perm. amb. temp.
		[VAC]	[Hz]	[rpm]	[W]	[A]	[dB]	[°C]
BMF160-EC092-064	①	220	50/60	1150	120	0.9	60	-20~+40

Curves



SIGNAL	COLOR	SPEC	SIGNAL	COLOR	SPEC
L	BROWN	AC220V 50/60Hz	Vcc	RED	DC10V OUTPUT
N	BLUE	AC220V 50/60Hz	Vsp	YELLOW	0-10VDC/PWM
PE	YELLOW/GREEN	EARTH	GND	BLUE	GND
			FG	WHITE	1 Pulse/R

Dimensions





EC Dual Inlet Forward Centrifugal Fans

Material: Galvanised sheet steel

Type of protection: IP44

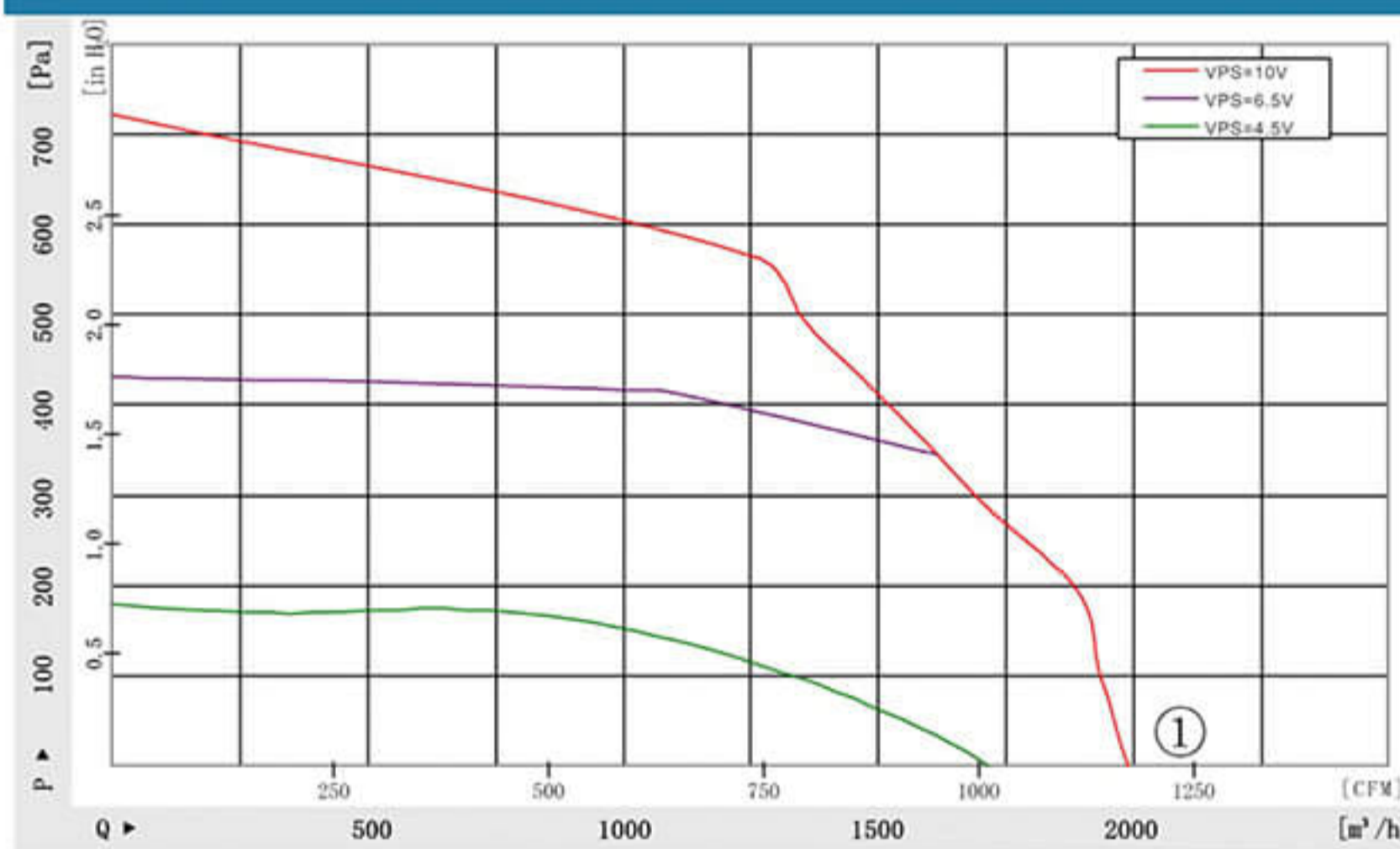
Approvals: CCC CE

Insulation class: B

Specifications

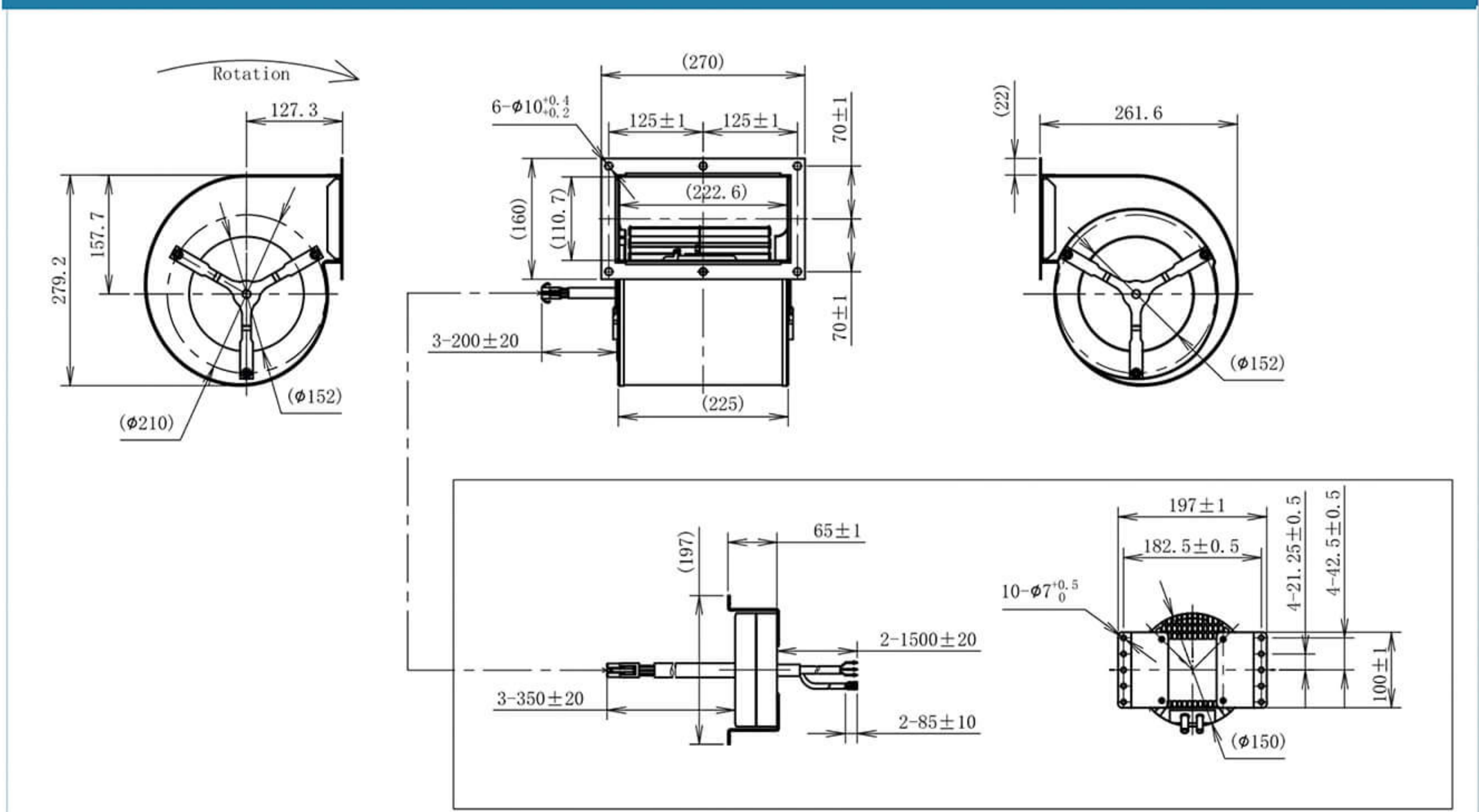
Type	Curve	Nominal voltage	Frequency	Speed	Power input	Current draw	Sound pressure level	Perm. amb. temp.
		[VAC]	[Hz]	[rpm]	[W]	[A]	[dB]	[°C]
BMF180-EC102-003	①	220	50/60	1550	400	1.9	74	-25~+60

Curves



SIGNAL	COLOR	SPEC	SIGNAL	COLOR	SPEC
L	BROWN	AC220V 50/60Hz	Vcc	RED	DC10V
N	BLUE	AC220V 50/60Hz	Vsp	YELLOW	0-10VDC/PWM
PE	YELLOW/GREEN	EARTH	GND	BLUE	GND
			FG	WHITE	12 Pulse/R

Dimensions





EC Dual Inlet Forward Centrifugal Fans

Material: Galvanised sheet steel

Type of protection: IP44

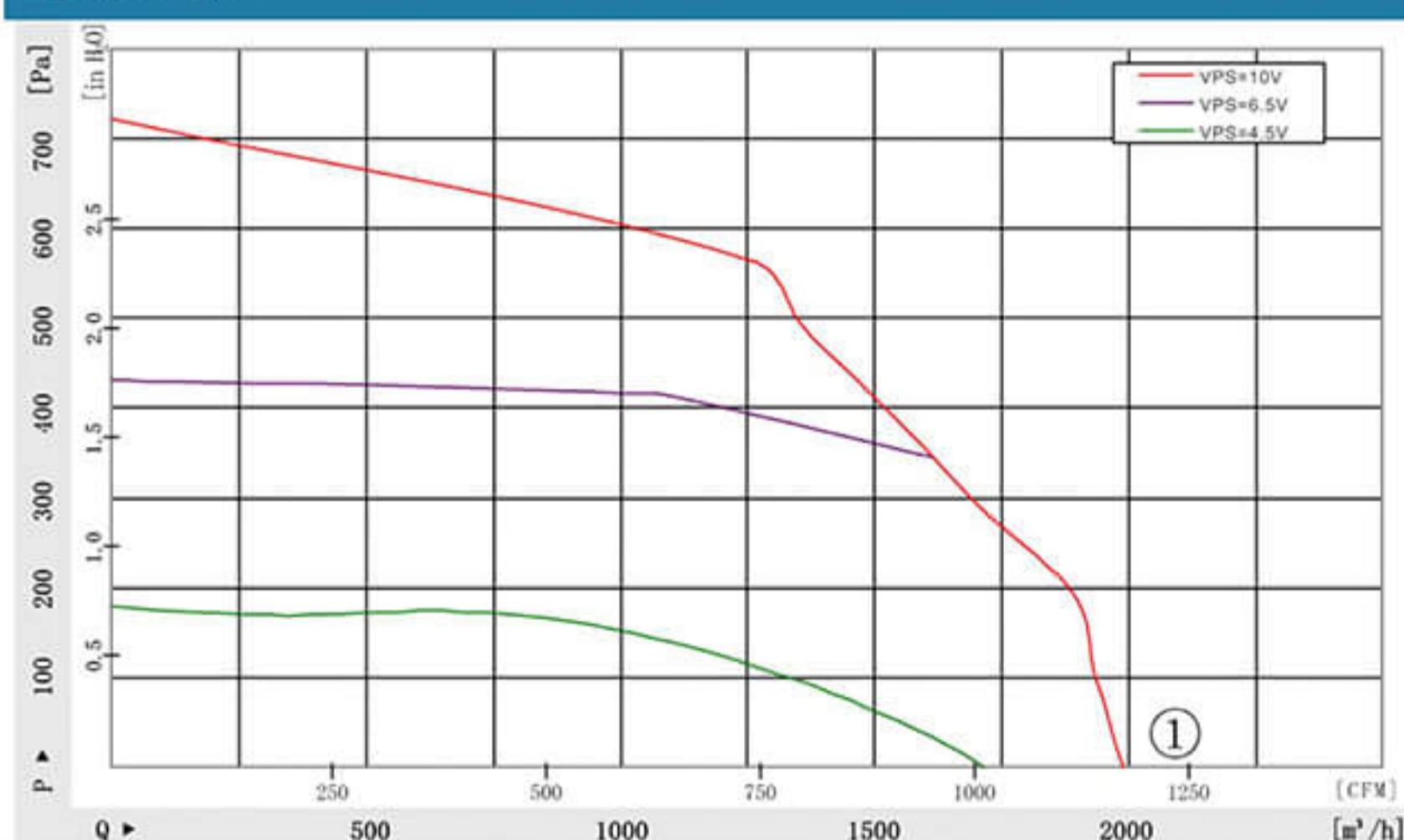
Approvals: CCC CE

Insulation class: B

Specifications

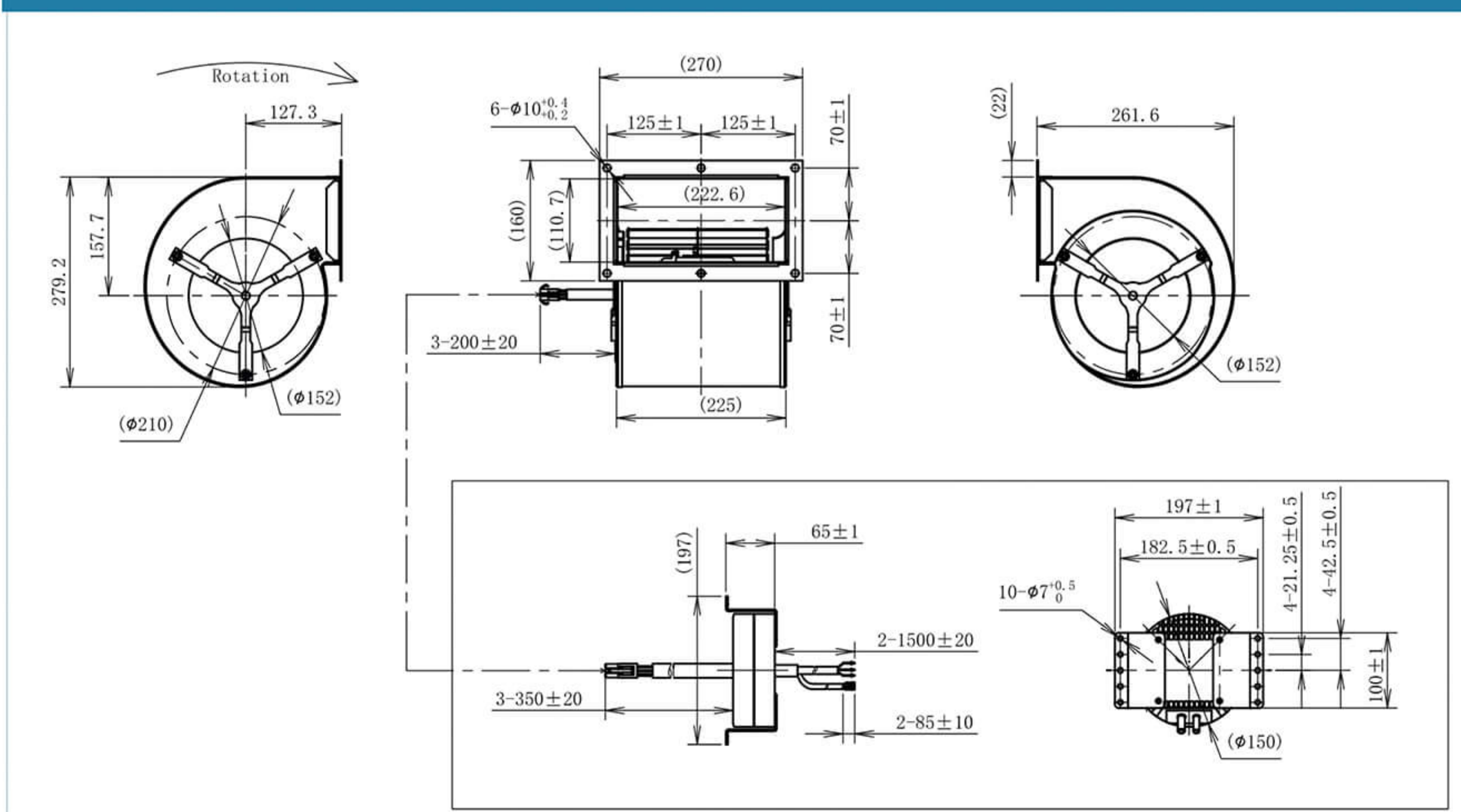
Type	Curve	Nominal voltage	Frequency	Speed	Power input	Current draw	Sound pressure level	Perm. amb. temp.
		[VAC]	[Hz]	[rpm]	[W]	[A]	[dB]	[°C]
BMF180-EC102-003	①	220	50/60	1550	400	1.9	74	-25~+60

Curves



SIGNAL	COLOR	SPEC	SIGNAL	COLOR	SPEC
L	BROWN	AC220V 50/60Hz	Vcc	RED	DC10V
N	BLUE	AC220V 50/60Hz	Vsp	YELLOW	0-10VDC/PWM
PE	YELLOW/GREEN	EARTH	GND	BLUE	GND
			FG	WHITE	12 Pulse/R

Dimensions





EC Dual Inlet Forward Centrifugal Fans

Material: Galvanised sheet steel

Type of protection: IP44

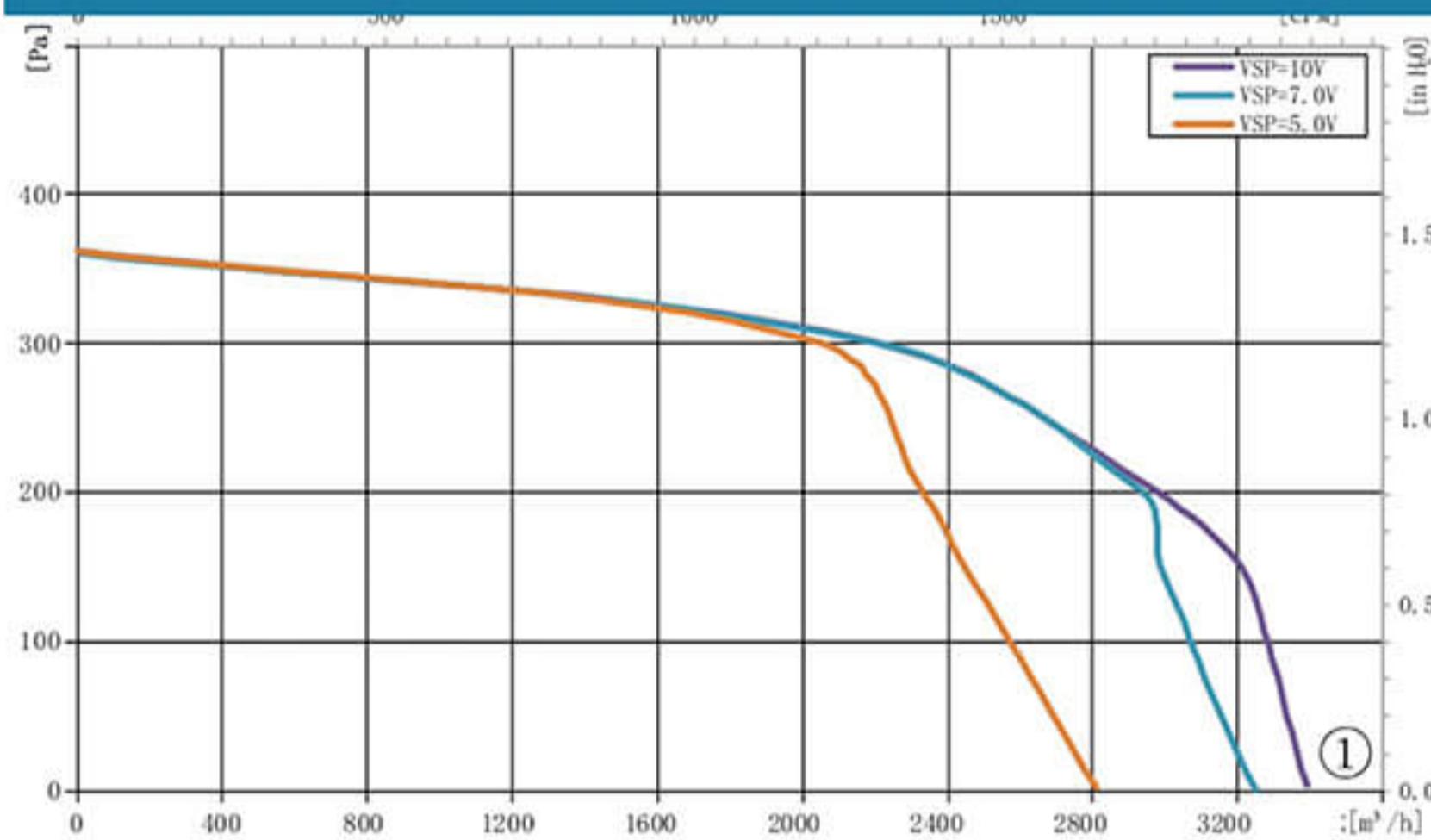
Approvals: CCC CE

Insulation class: B

Specifications

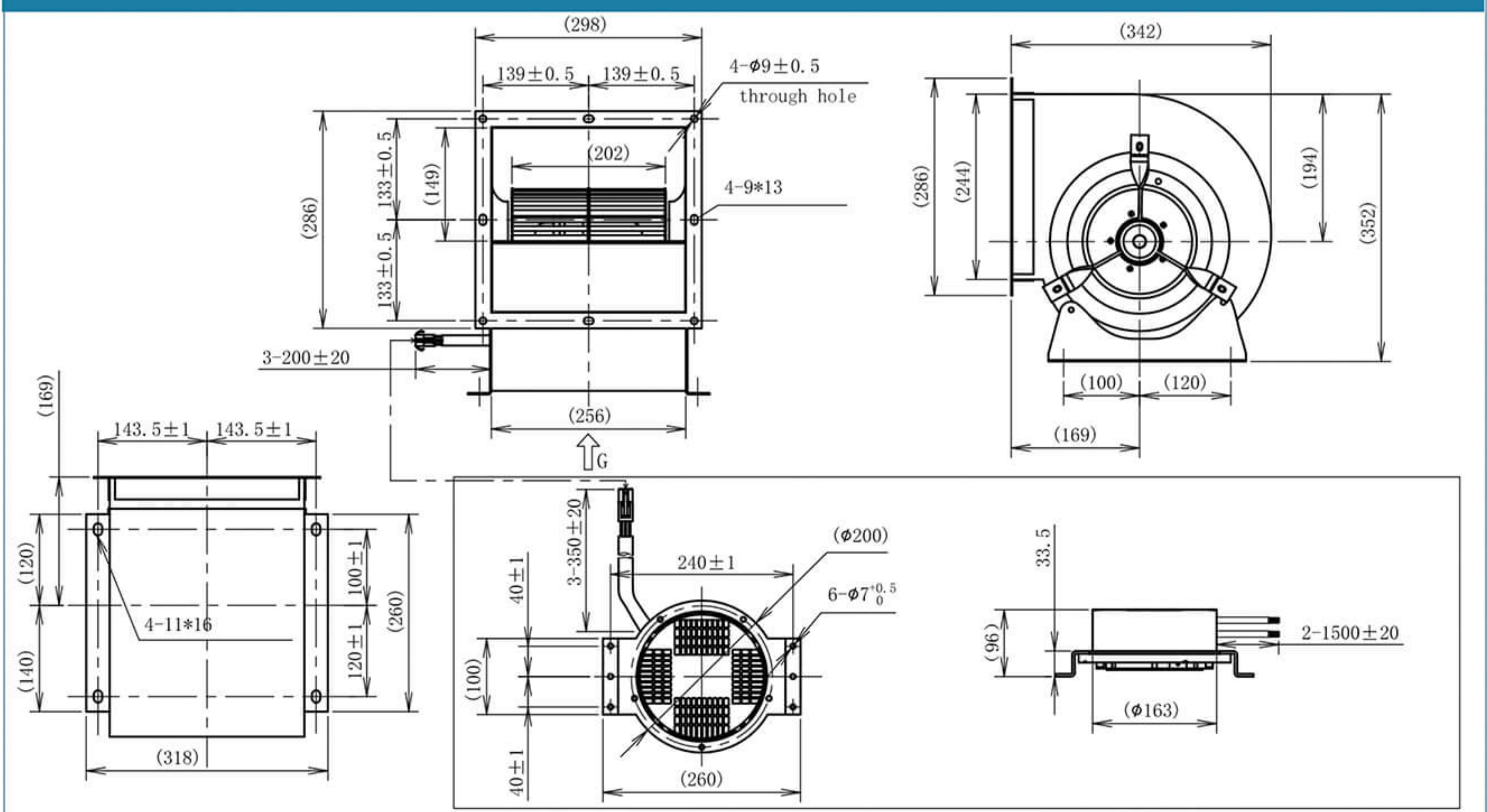
Type	Curve	Nominal voltage	Frequency	Speed	Power input	Current draw	Sound pressure level	Perm. amb. temp.
		[VAC]	[Hz]	[rpm]	[W]	[A]	[dB]	[°C]
BMF225-EC137-002	①	220	50/60	1250	750	3.5	77	-25~+60

Curves



SIGNAL	COLOR	SPEC	SIGNAL	COLOR	SPEC
L	BROWN	AC220V 50/60Hz	Vcc	RED	DC10V
N	BLUE	AC220V 50/60Hz	Vsp	YELLOW	0-10VDC/PWM
PE	YELLOW/GREEN	EARTH	GND	BLUE	GND
			FG	WHITE	12 Pulse/R

Dimensions





EC Dual Inlet Forward Centrifugal Fans

Material: Galvanised sheet steel

Type of protection: IP44

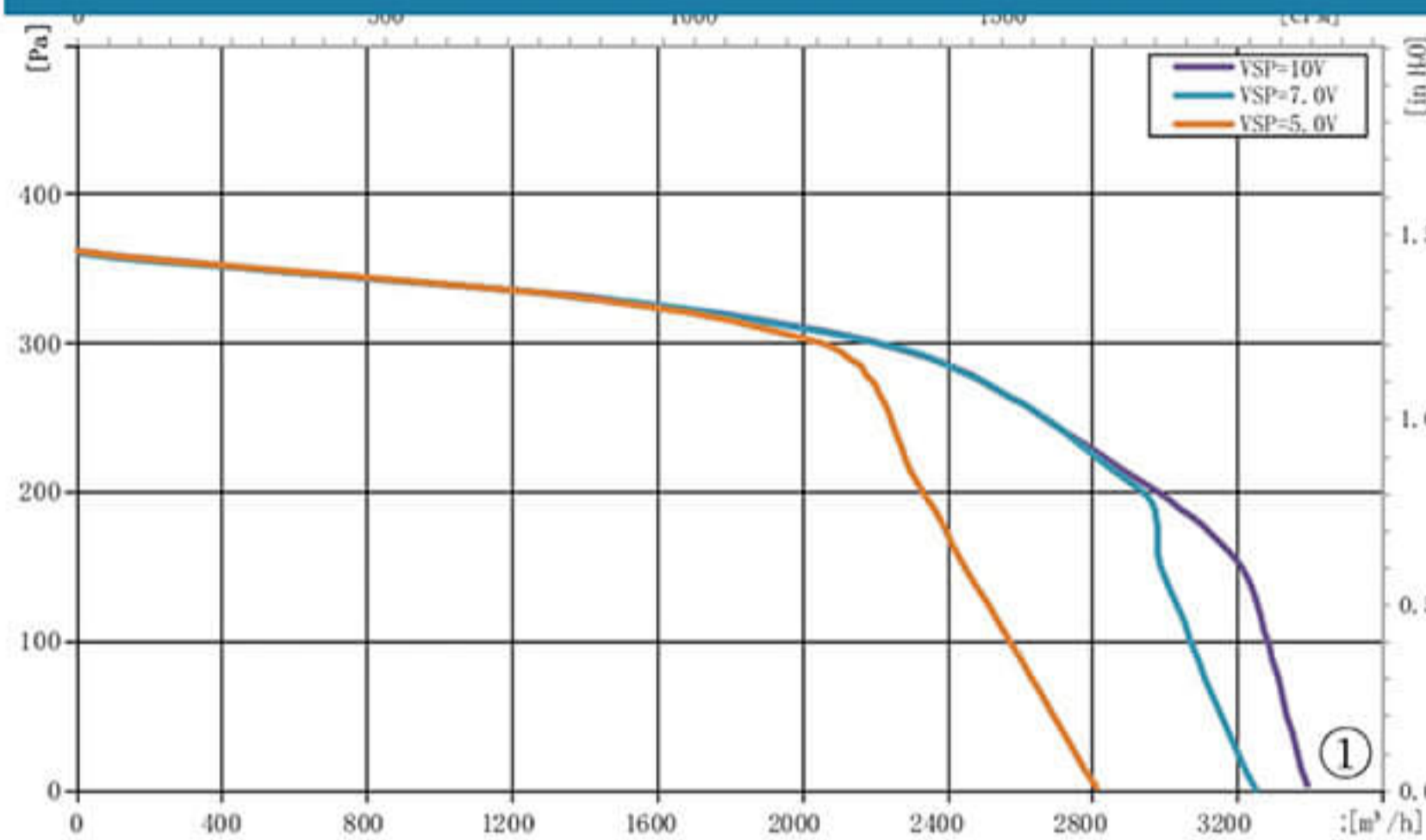
Approvals: CCC CE

Insulation class: B

Specifications

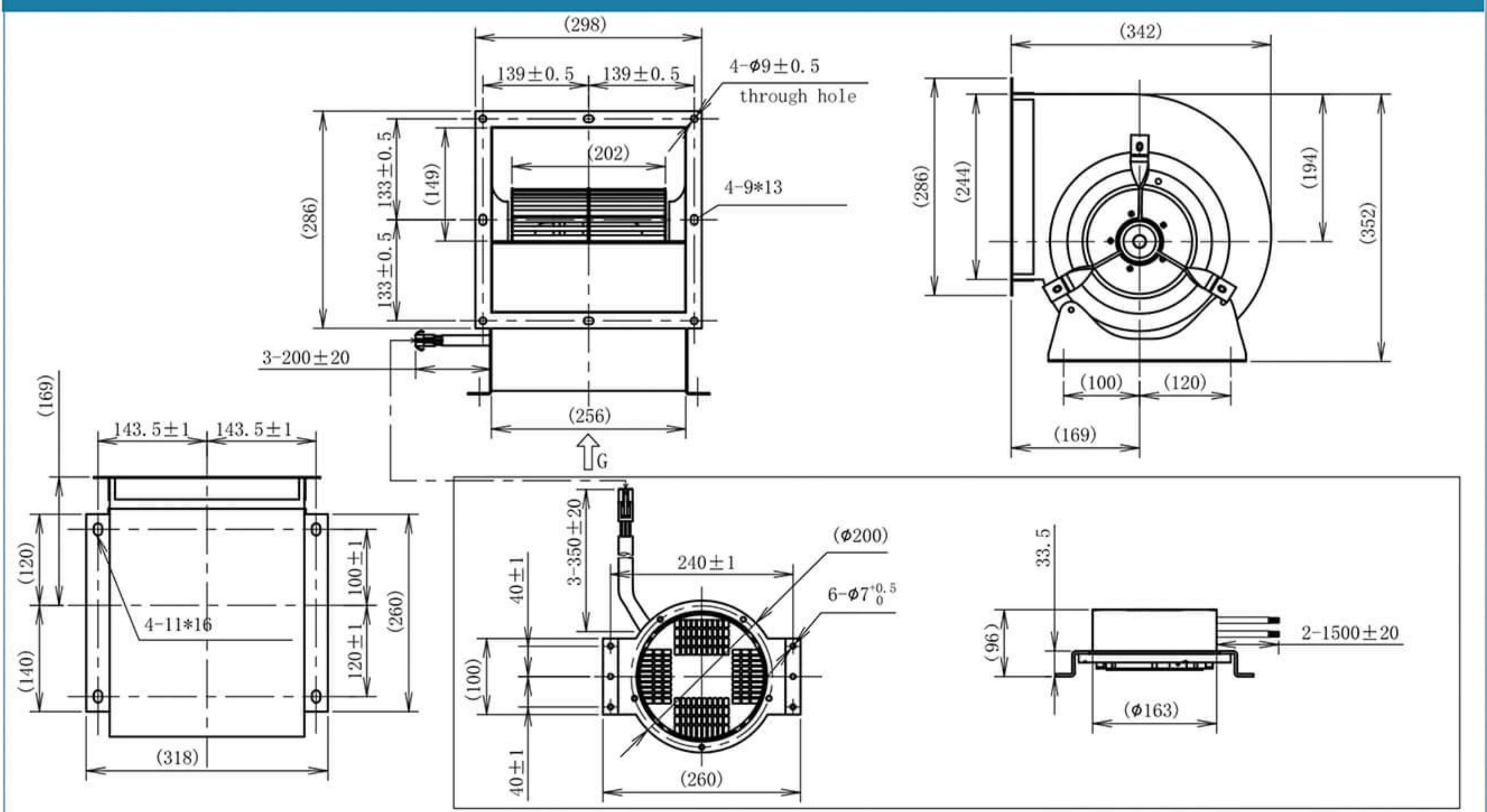
Type	Curve	Nominal voltage	Frequency	Speed	Power input	Current draw	Sound pressure level	Perm. amb. temp.
		[VAC]	[Hz]	[rpm]	[W]	[A]	[dB]	[°C]
BMF225-EC137-002	①	220	50/60	1250	750	3.5	77	-25~+60

Curves



SIGNAL	COLOR	SPEC	SIGNAL	COLOR	SPEC
L	BROWN	AC220V 50/60Hz	Vcc	RED	DC10V
N	BLUE	AC220V 50/60Hz	Vsp	YELLOW	0-10VDC/PWM
PE	YELLOW/GREEN	EARTH	GND	BLUE	GND
			FG	WHITE	12 Pulse/R

Dimensions





EC Dual Inlet Forward Centrifugal Fans

Material: Galvanised sheet steel

Type of protection: IP44

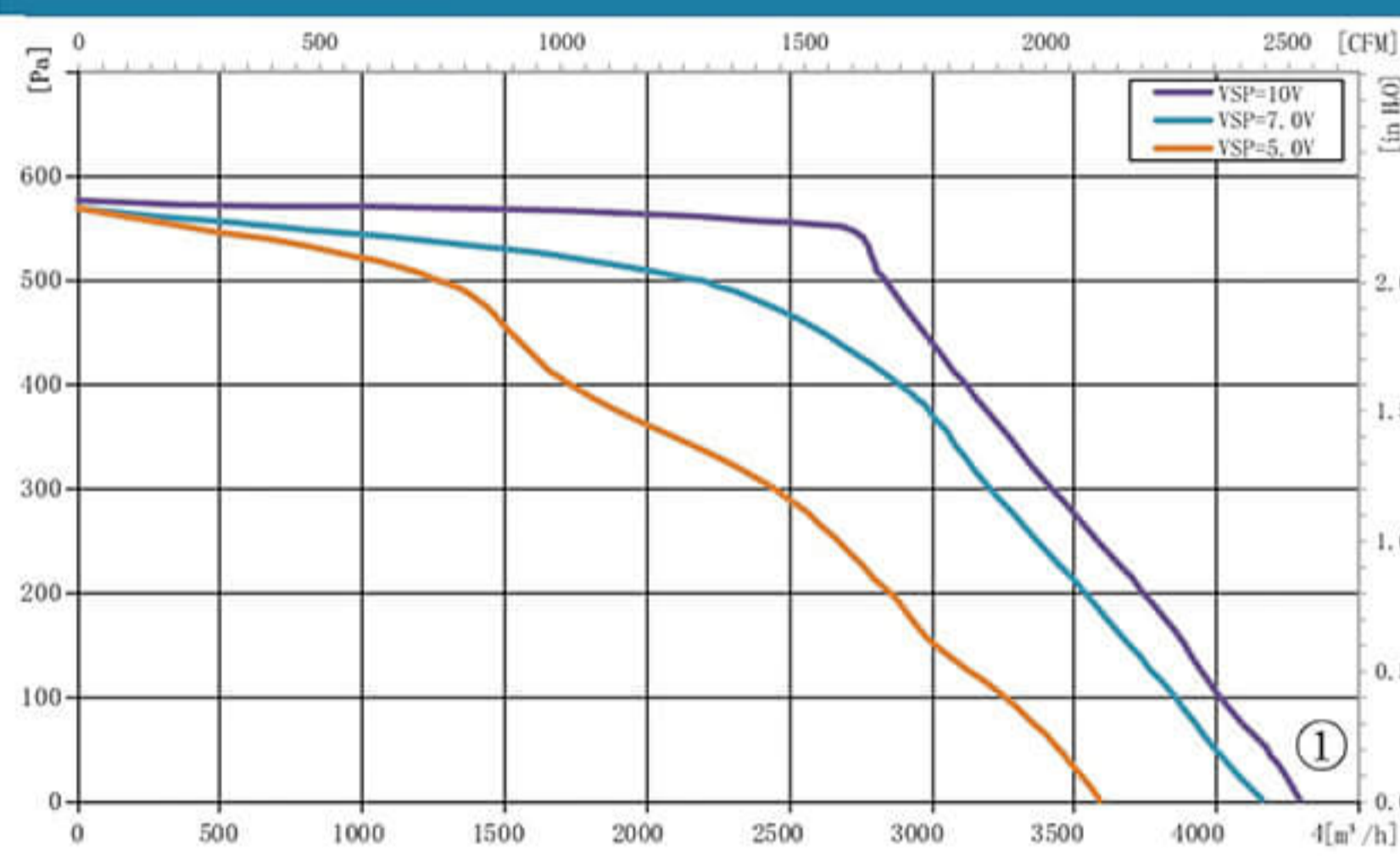
Approvals: CCC CE

Insulation class: B

Specifications

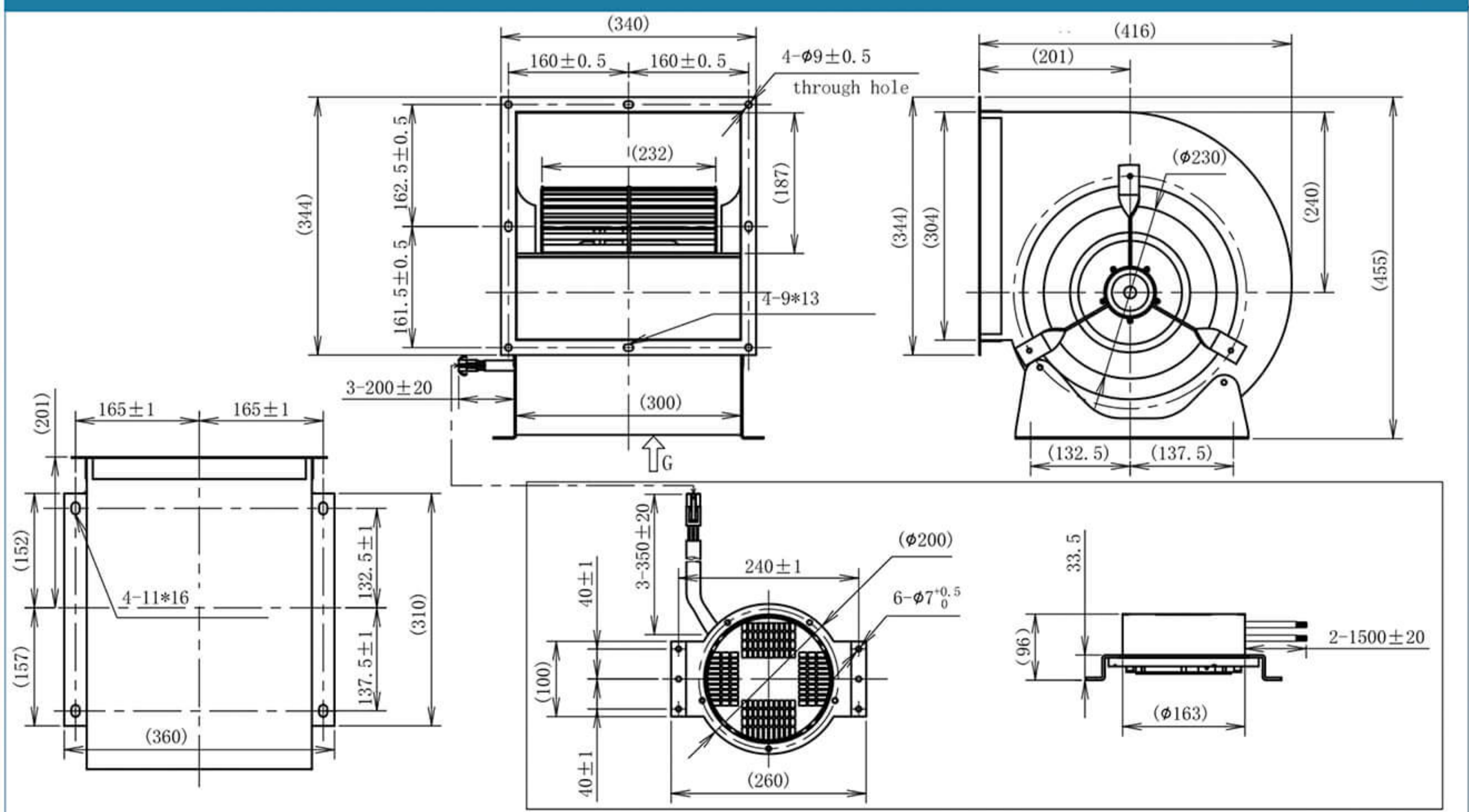
Type	Curve	Nominal voltage	Frequency	Speed	Power input	Current draw	Sound pressure level	Perm. amb. temp.
		[VAC]	[Hz]	[rpm]	[W]	[A]	[dB]	[°C]
BMF280-EC137-005	①	220	50/60	820	750	3.5	74	-25~+60

Curves



SIGNAL	COLOR	SPEC	SIGNAL	COLOR	SPEC
L	BROWN	AC220V 50/60Hz	Vcc	RED	DC10V
N	BLUE	AC220V 50/60Hz	Vsp	YELLOW	0-10VDC/PWM
PE	YELLOW/GREEN	EARTH	GND	BLUE	GND
			FG	WHITE	12 Pulse/R

Dimensions





EC Dual Inlet Forward Centrifugal Fans

Material: Galvanised sheet steel

Type of protection: IP44

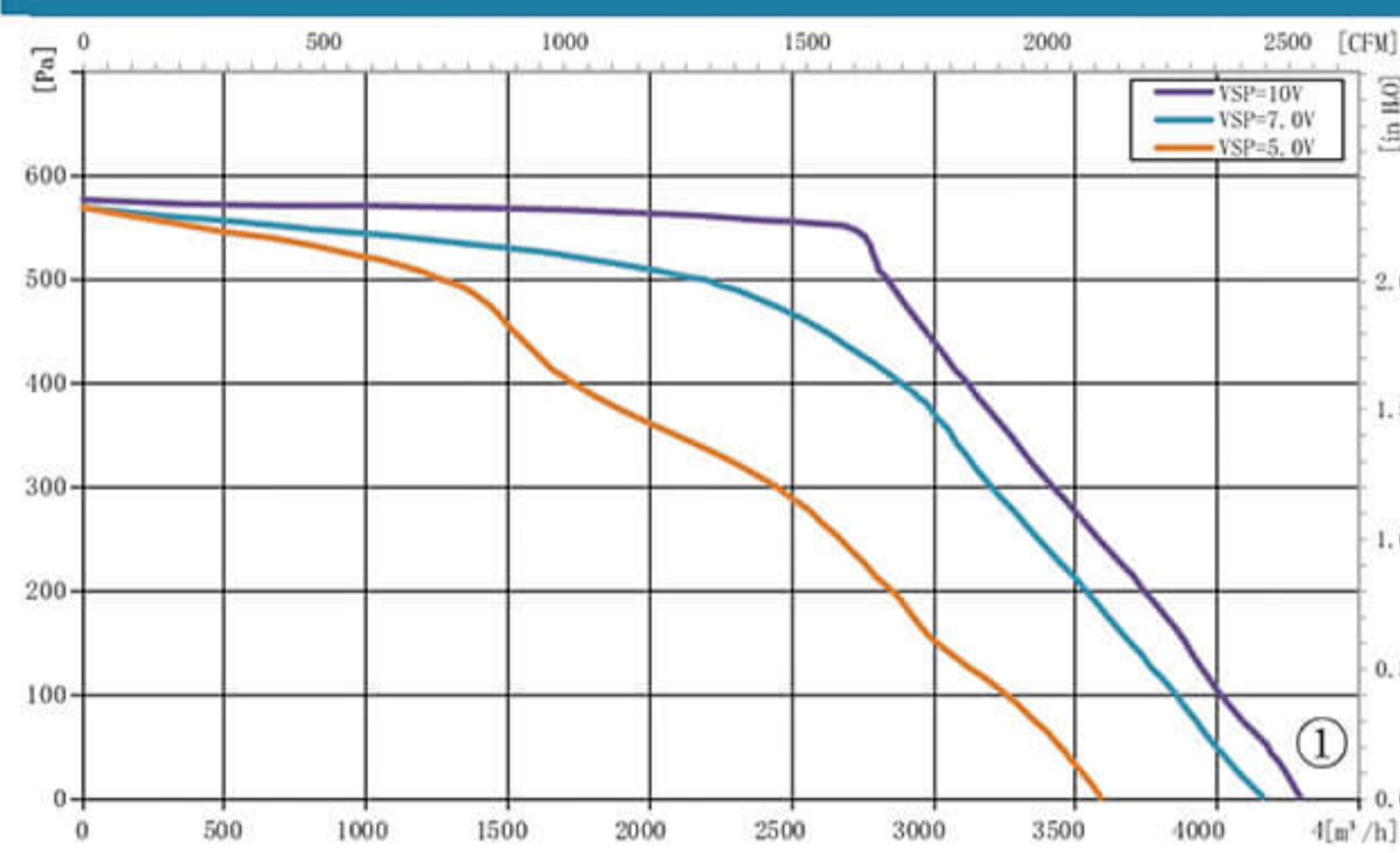
Approvals: CCC CE

Insulation class: B

Specifications

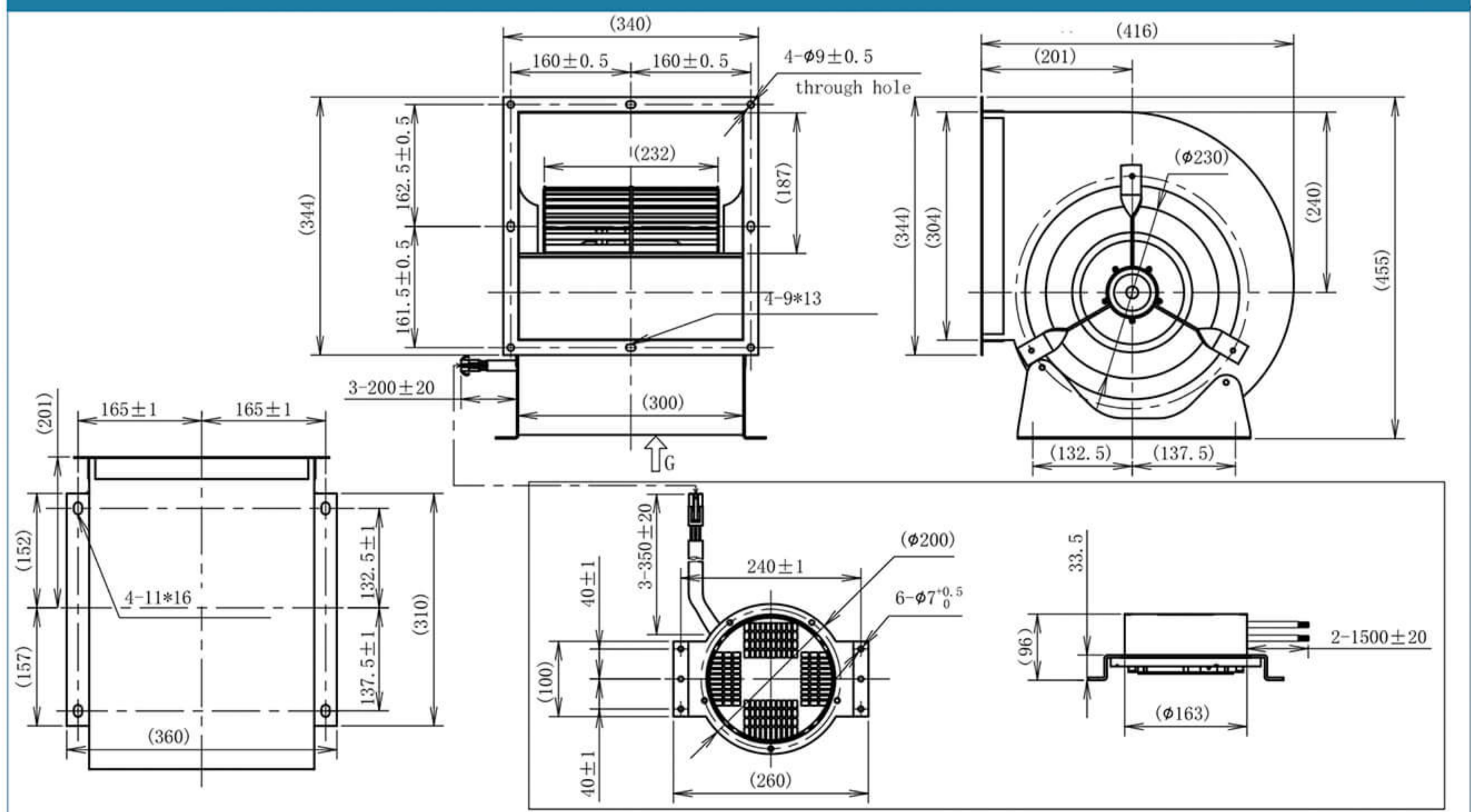
Type	Curve	Nominal voltage	Frequency	Speed	Power input	Current draw	Sound pressure level	Perm. amb. temp.
		[VAC]	[Hz]	[rpm]	[W]	[A]	[dB]	[°C]
BMF280-EC137-005	①	220	50/60	820	750	3.5	74	-25~+60

Curves



SIGNAL	COLOR	SPEC	SIGNAL	COLOR	SPEC
L	BROWN	AC220V 50/60Hz	Vcc	RED	DC10V
N	BLUE	AC220V 50/60Hz	Vsp	YELLOW	0-10VDC/PWM
PE	YELLOW/GREEN	EARTH	GND	BLUE	GND
			FG	WHITE	12 Pulse/R

Dimensions





EC Dual Inlet Forward Centrifugal Fans

Material: PA66

Type of protection: IP44

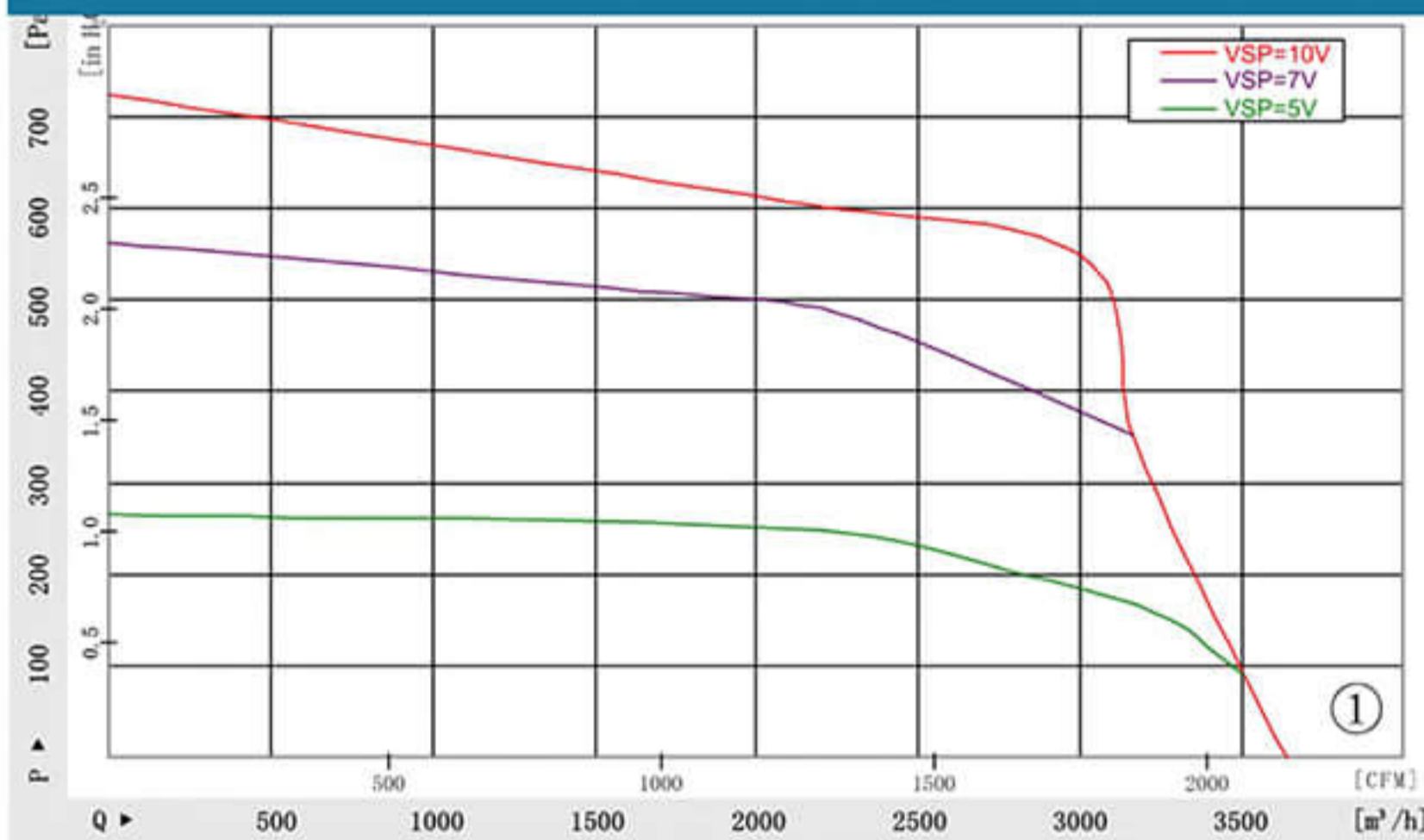
Approvals: CCC CE

Insulation class: B

Specifications

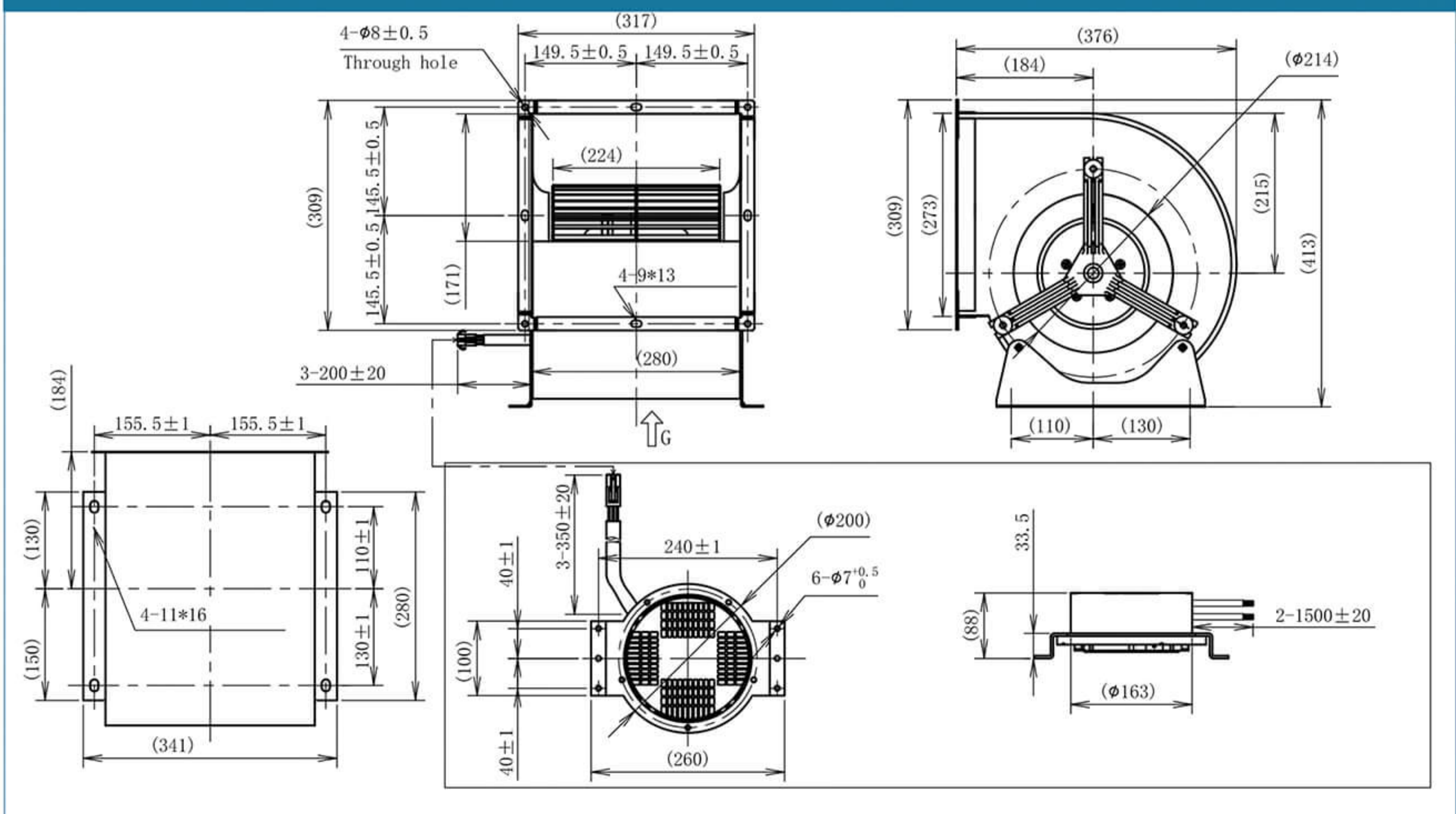
Type	Curve	Nominal voltage	Frequency	Speed	Power input	Current draw	Sound pressure level	Perm. amb. temp.
		[VAC]	[Hz]	[rpm]	[W]	[A]	[dB]	[°C]
BMF250-EC137-100	①	3~380	50/60	920	655	1.2	74	-25~+60

Curves



SIGNAL	COLOR	SPEC	SIGNAL	COLOR	SPEC
L1	BLACK	AC380V 50/60Hz	Vcc	RED	DC10V
L2	BLACK	AC380V 50/60Hz	Vsp	YELLOW	0-10VDC/PWM
L3	BLACK	AC380V 50/60Hz	GND	BLUE	GND
PE	YELLOW/GREEN	EARTH	FG	WHITE	12 Pulse/R

Dimensions





EC Dual Inlet Forward Centrifugal Fans

Material: PA66

Type of protection: IP44

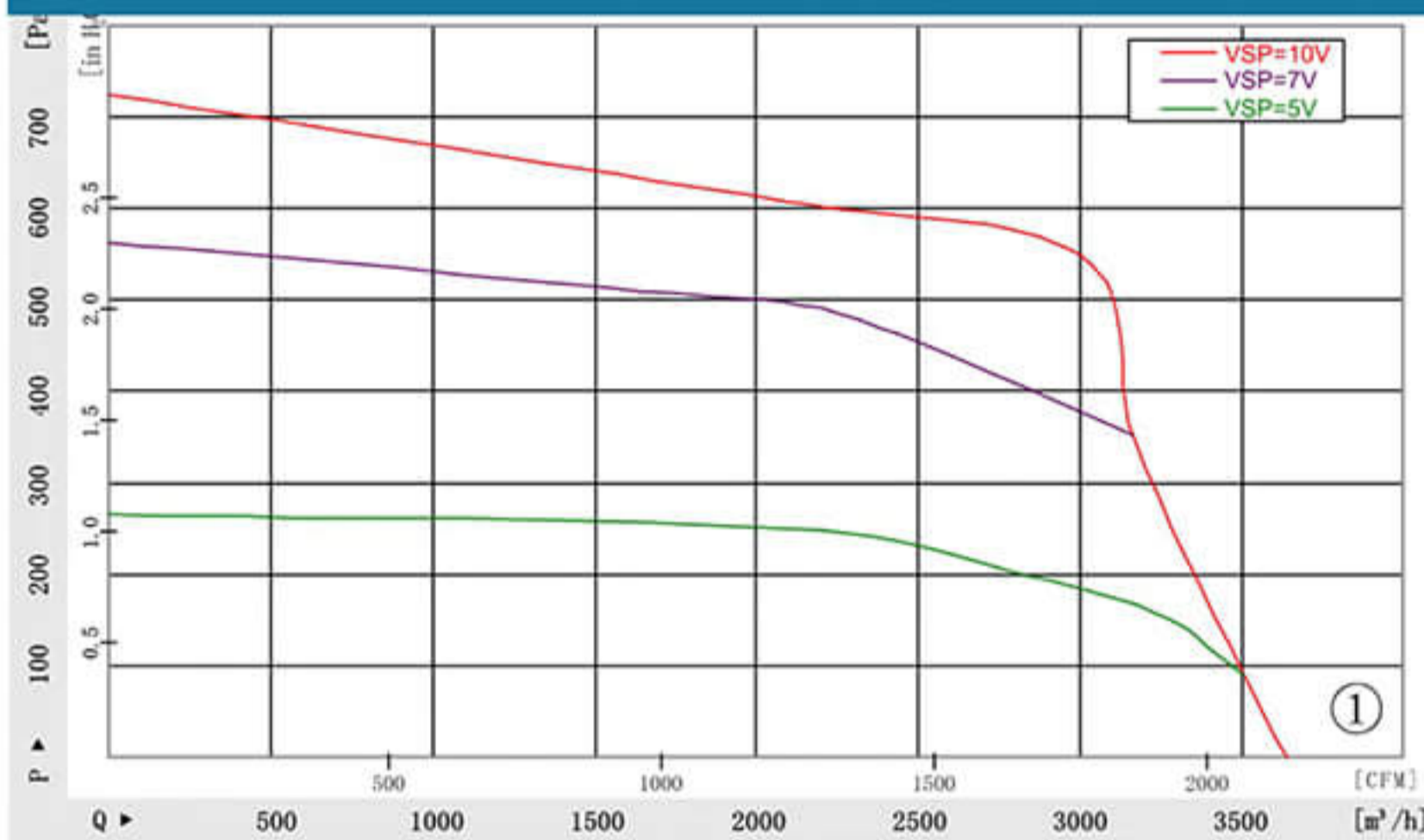
Approvals: CCC CE

Insulation class: B

Specifications

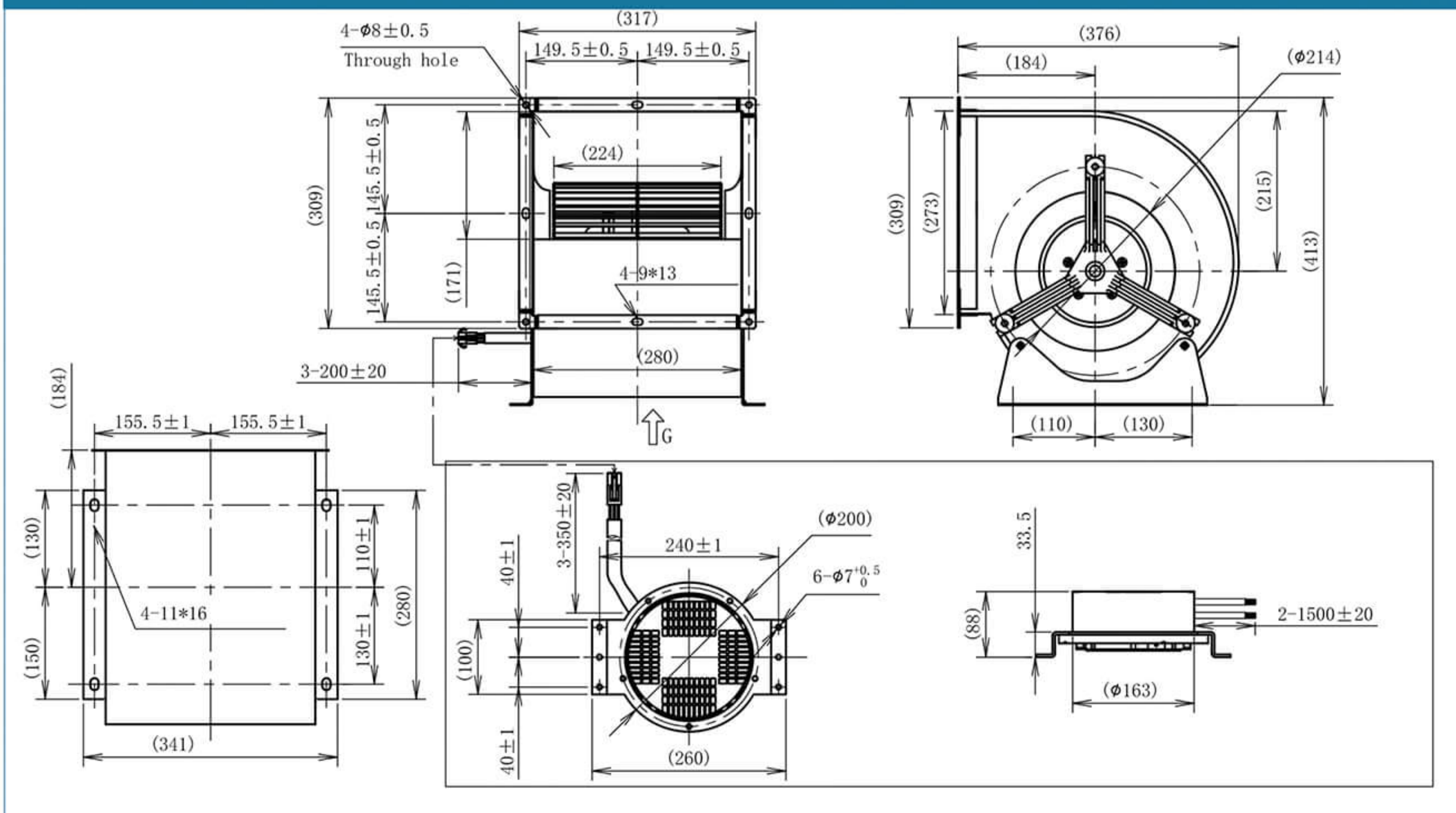
Type	Curve	Nominal voltage	Frequency	Speed	Power input	Current draw	Sound pressure level	Perm. amb. temp.
		[VAC]	[Hz]	[rpm]	[W]	[A]	[dB]	[°C]
BMF250-EC137-100	①	3~380	50/60	920	655	1.2	74	-25~+60

Curves



SIGNAL	COLOR	SPEC	SIGNAL	COLOR	SPEC
L1	BLACK	AC380V 50/60Hz	Vcc	RED	DC10V
L2	BLACK	AC380V 50/60Hz	Vsp	YELLOW	0-10VDC/PWM
L3	BLACK	AC380V 50/60Hz	GND	BLUE	GND
PE	YELLOW/GREEN	EARTH	FG	WHITE	12 Pulse/R

Dimensions





EC Backward Centrifugal Fans

Material: PA66

Type of protection: IP44

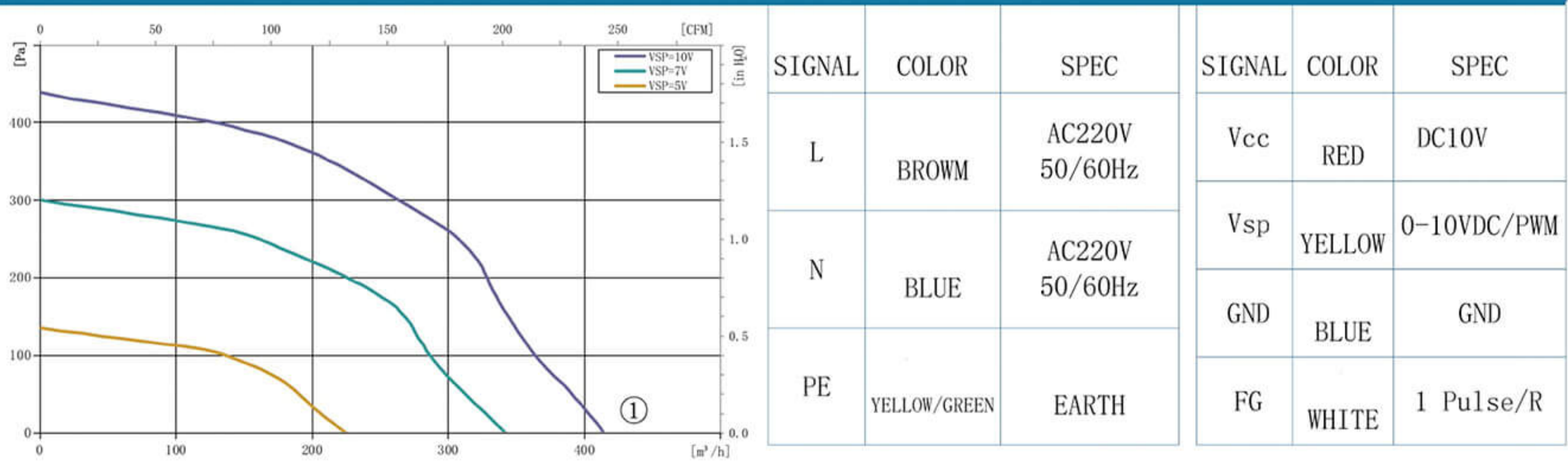
Approvals: CCC CE

Insulation class: B

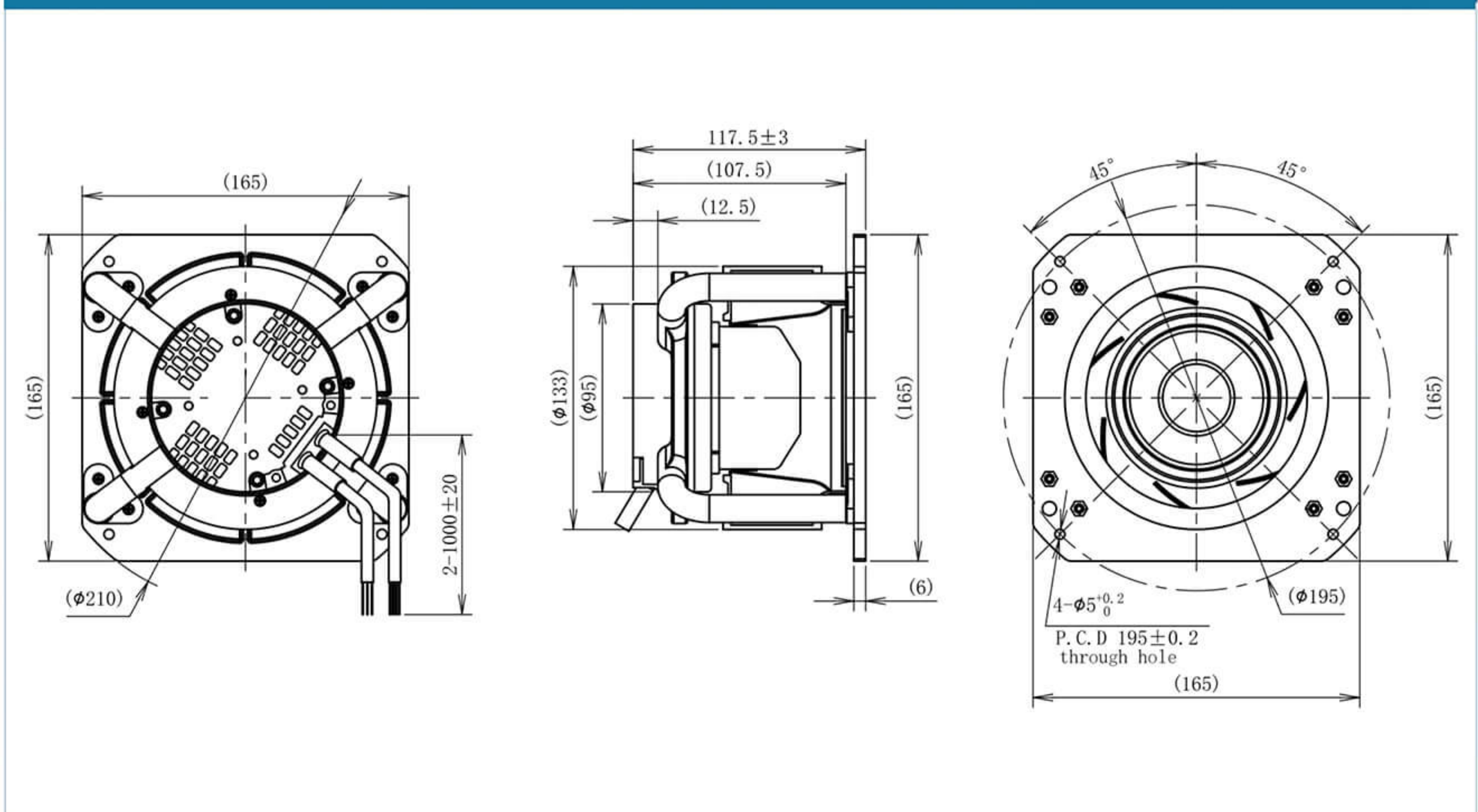
Specifications

Type	Curve	Nominal voltage	Frequency	Speed	Power input	Current draw	Sound pressure level	Perm. amb. temp.
		[VAC]	[Hz]	[rpm]	[W]	[A]	[dB]	[°C]
BMF133-EC072-010	①	220	50/60	4500	55	0.425	68	-25~+60

Curves



Dimensions





EC Backward Centrifugal Fans

Material: PA66

Type of protection: IP44

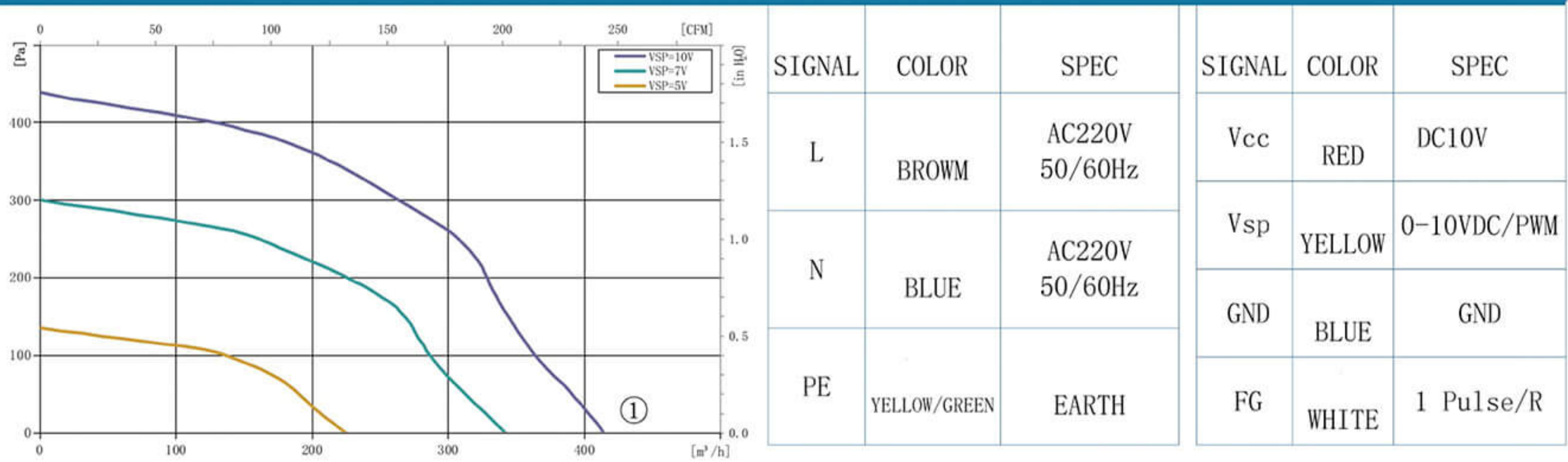
Approvals: CCC CE

Insulation class: B

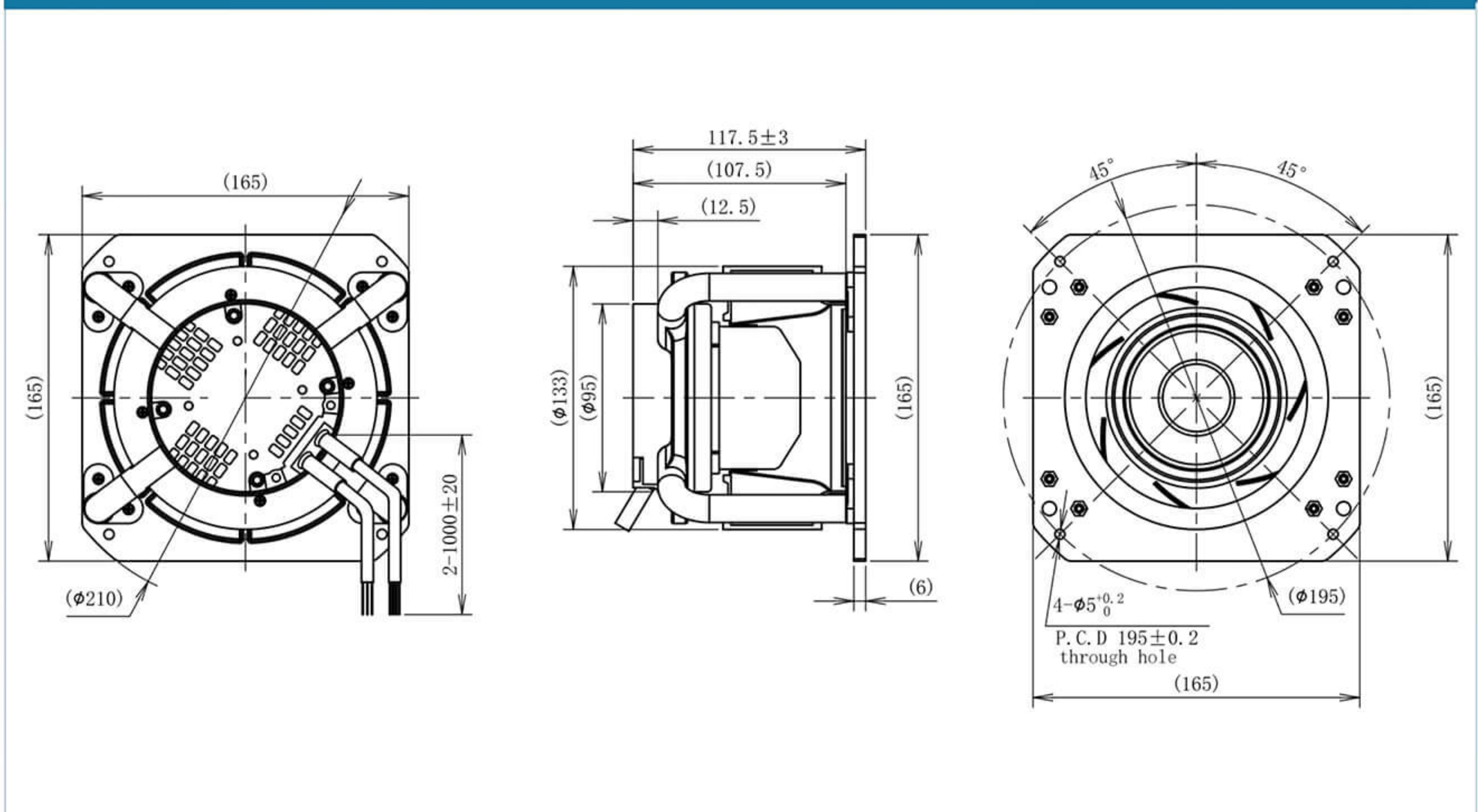
Specifications

Type	Curve	Nominal voltage	Frequency	Speed	Power input	Current draw	Sound pressure level	Perm. amb. temp.
		[VAC]	[Hz]	[rpm]	[W]	[A]	[dB]	[°C]
BMF133-EC072-010	①	220	50/60	4500	55	0.425	68	-25~+60

Curves



Dimensions





EC Backward Centrifugal Fans

Material: PA66

Type of protection: IP44

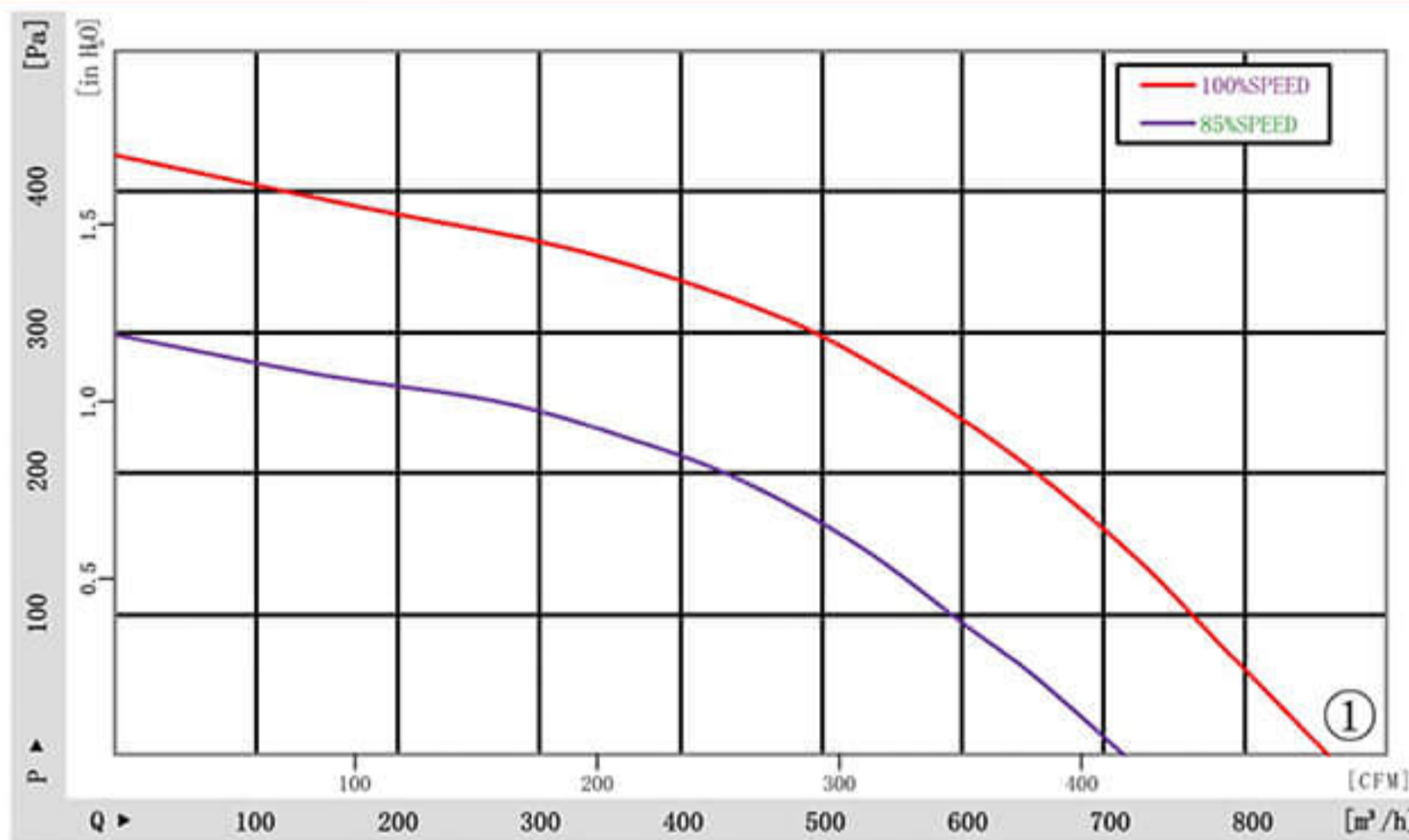
Approvals: CCC CE

Insulation class: B

Specifications

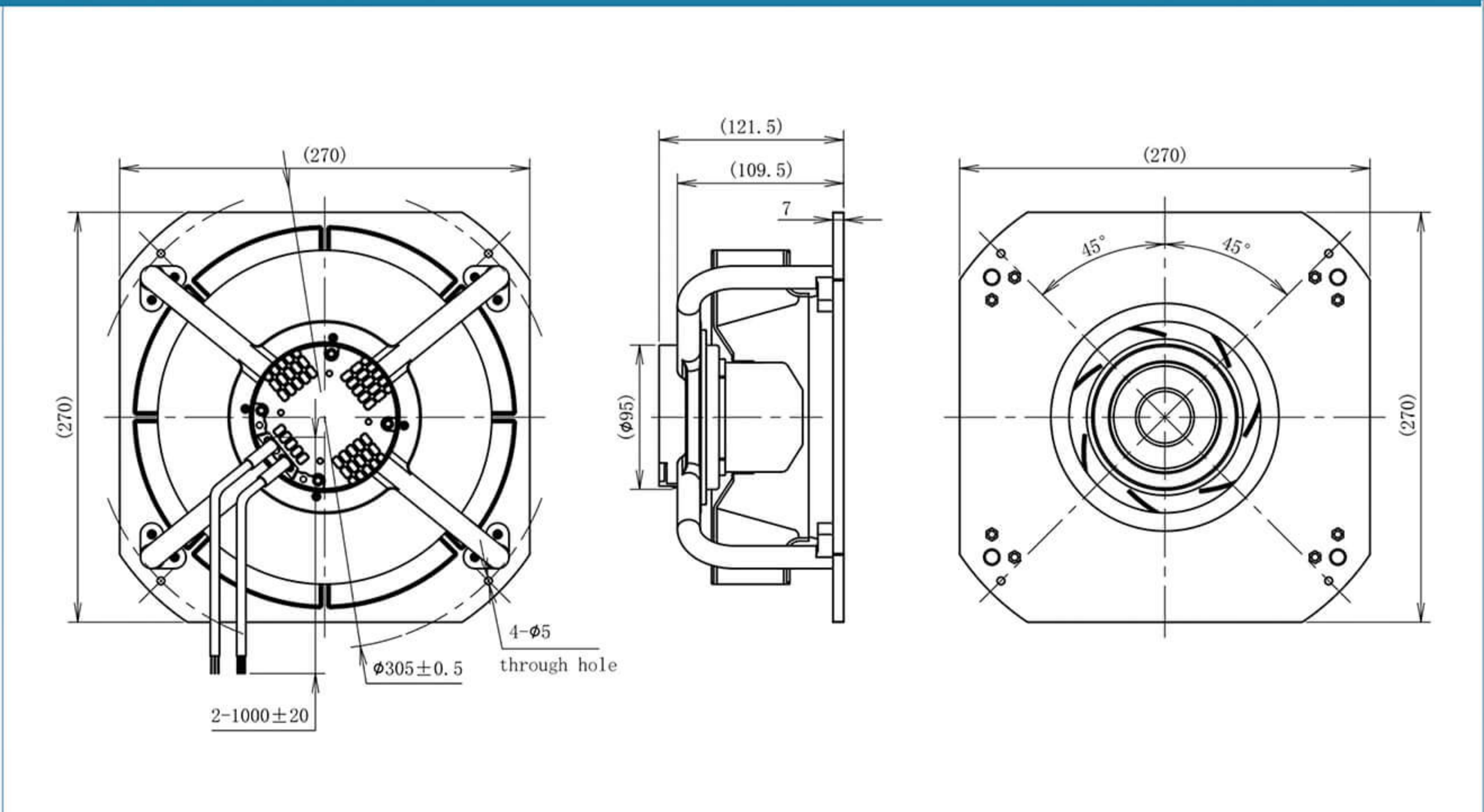
Type	Curve	Nominal voltage	Frequency	Speed	Power input	Current draw	Sound pressure level	Perm. amb. temp.
BMF220-EC072-010		[VAC]	[Hz]	[rpm]	[W]	[A]	[dB]	[°C]
	①	220	50/60	2600	75	0.6	71	-25~+60

Curves



SIGNAL	COLOR	SPEC	SIGNAL	COLOR	SPEC
L	BROWN	AC220V 50/60Hz	Vcc	RED	DC10V
N	BLUE	AC220V 50/60Hz	Vsp	YELLOW	0-10VDC/PWM
PE	YELLOW/GREEN	EARTH	GND	BLUE	GND
			FG	WHITE	1 Pulse/R

Dimensions





EC Backward Centrifugal Fans

Material: PA66

Type of protection: IP44

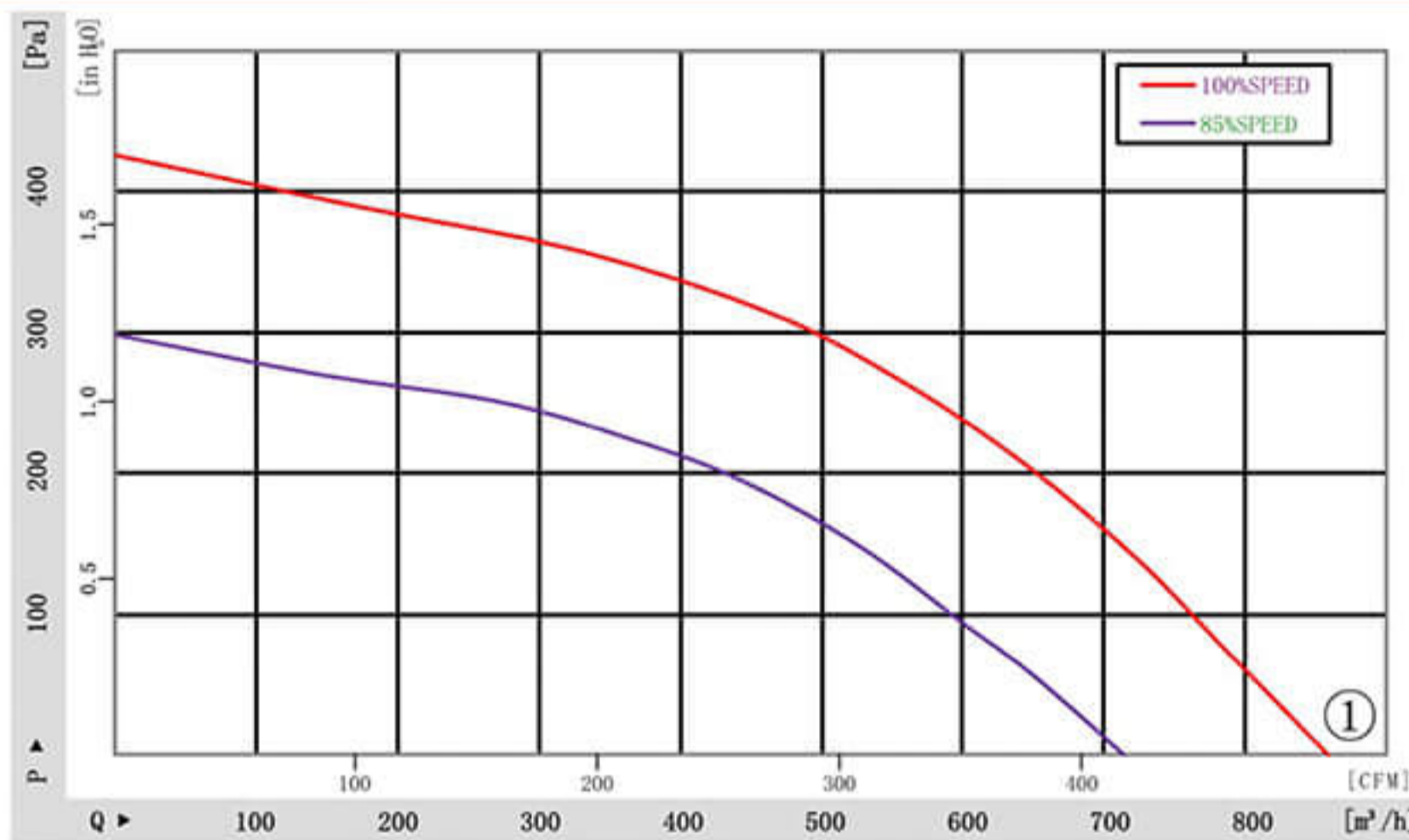
Approvals: CCC CE

Insulation class: B

Specifications

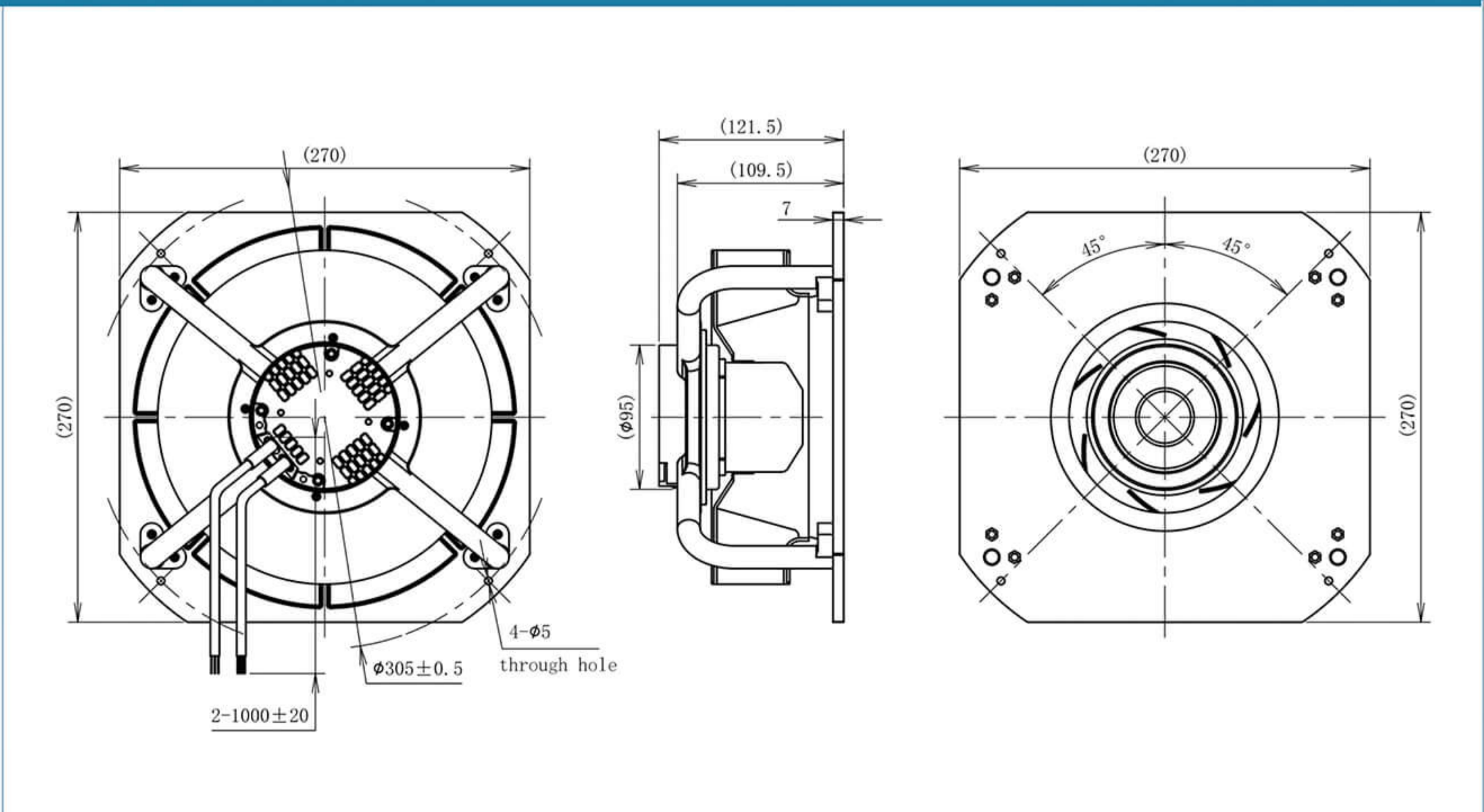
Type	Curve	Nominal voltage	Frequency	Speed	Power input	Current draw	Sound pressure level	Perm. amb. temp.
BMF220-EC072-010		[VAC]	[Hz]	[rpm]	[W]	[A]	[dB]	[°C]
	①	220	50/60	2600	75	0.6	71	-25~+60

Curves



SIGNAL	COLOR	SPEC	SIGNAL	COLOR	SPEC
L	BROWN	AC220V 50/60Hz	Vcc	RED	DC10V
N	BLUE	AC220V 50/60Hz	Vsp	YELLOW	0-10VDC/PWM
PE	YELLOW/GREEN	EARTH	GND	BLUE	GND
			FG	WHITE	1 Pulse/R

Dimensions





EC Backward Centrifugal Fans

Material: PA66

Type of protection: IP44

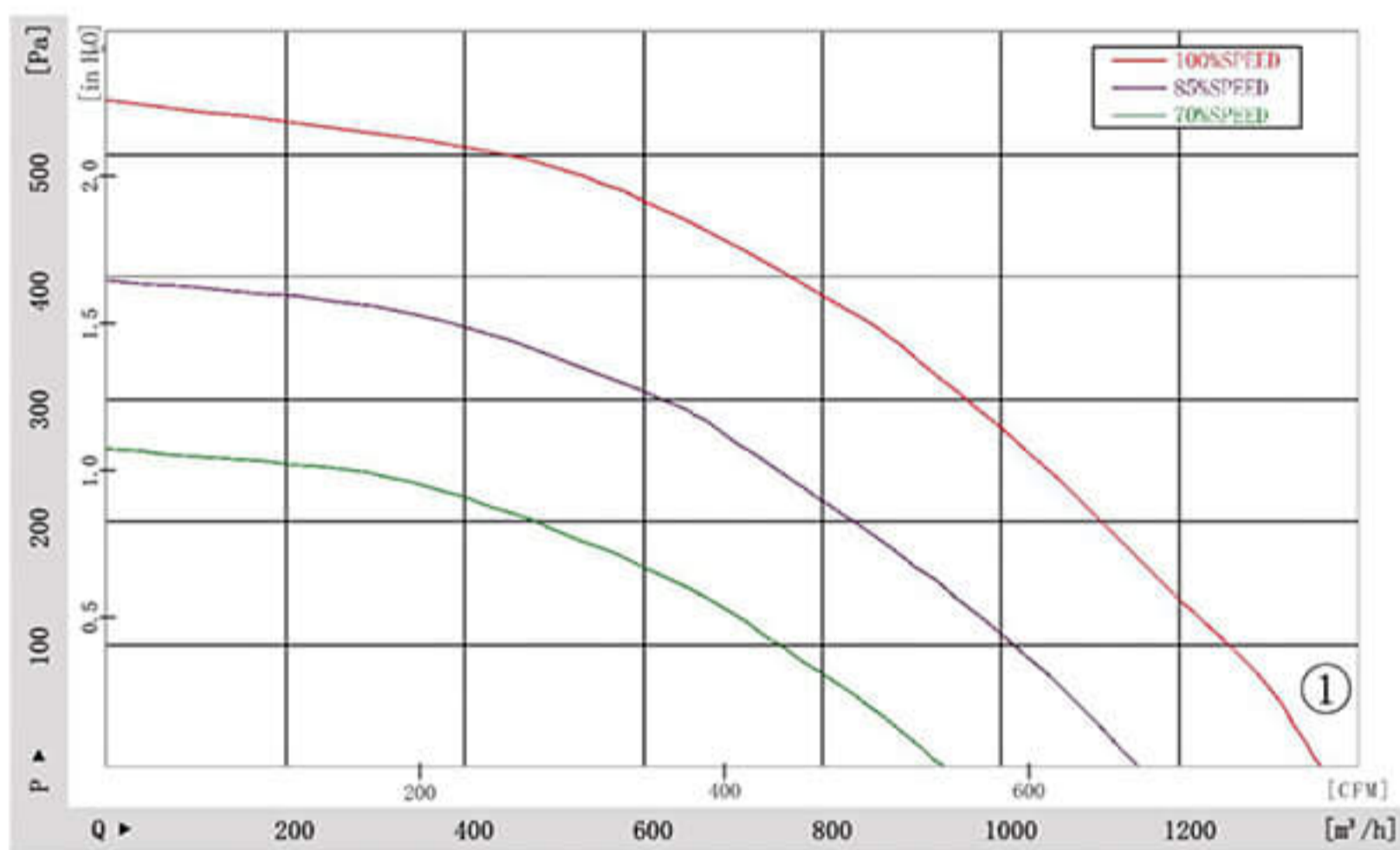
Approvals: CCC CE

Insulation class: B

Specifications

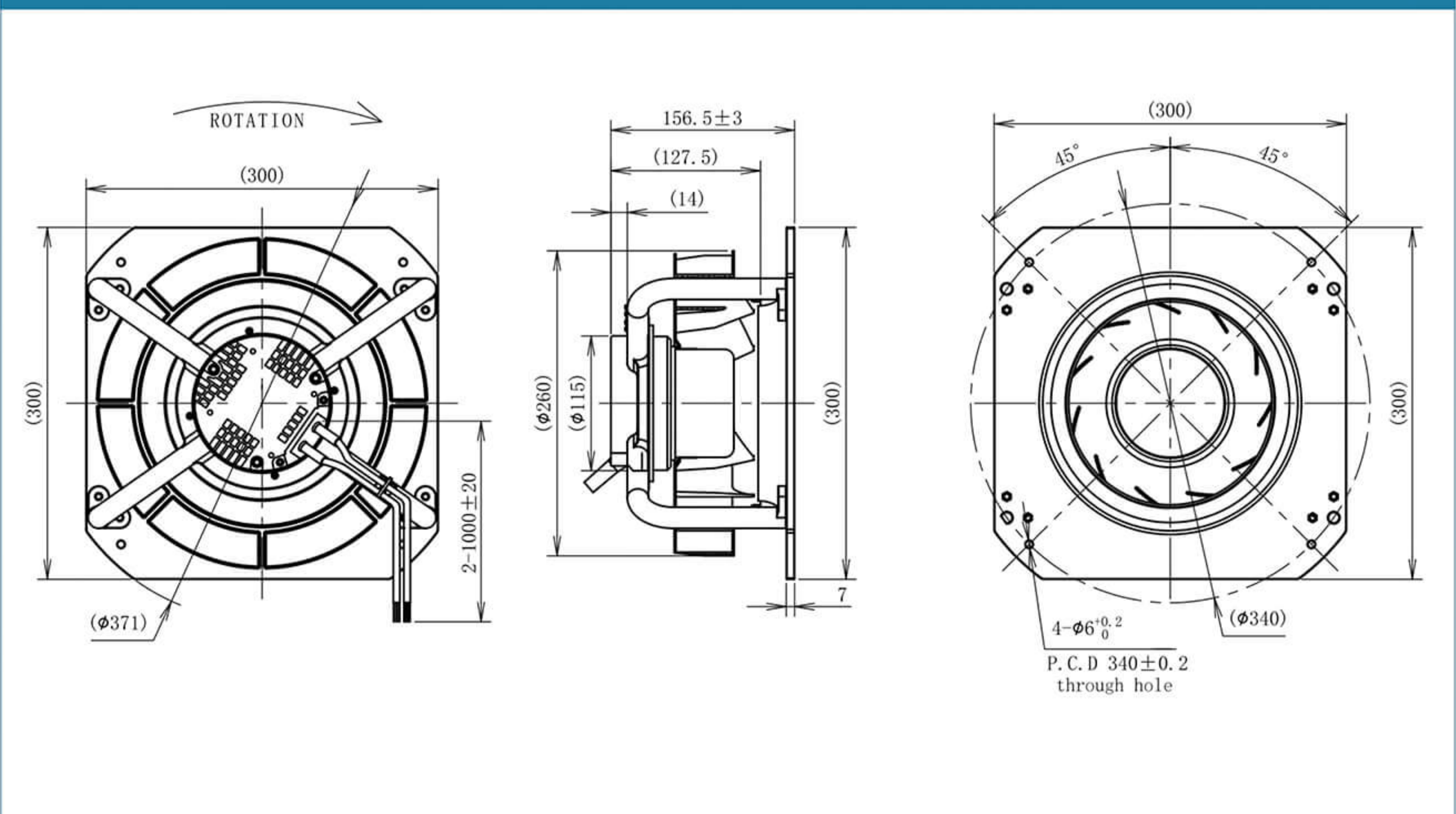
Type	Curve	Nominal voltage	Frequency	Speed	Power input	Current draw	Sound pressure level	Perm. amb. temp.
		[VAC]	[Hz]	[rpm]	[W]	[A]	[dB]	[°C]
BMF250-EC092-025	①	220	50/60	2600	170	1.1	69	-25~+60

Curves



SIGNAL	COLOR	SPEC	SIGNAL	COLOR	SPEC
L	BROWN	AC220V 50/60Hz	Vcc	RED	DC10V
N	BLUE	AC220V 50/60Hz	Vsp	YELLOW	0-10VDC/PWM
PE	YELLOW/GREEN	EARTH	GND	BLUE	GND
			FG	WHITE	1 Pulse/R

Dimensions





EC Backward Centrifugal Fans

Material: PA66

Type of protection: IP44

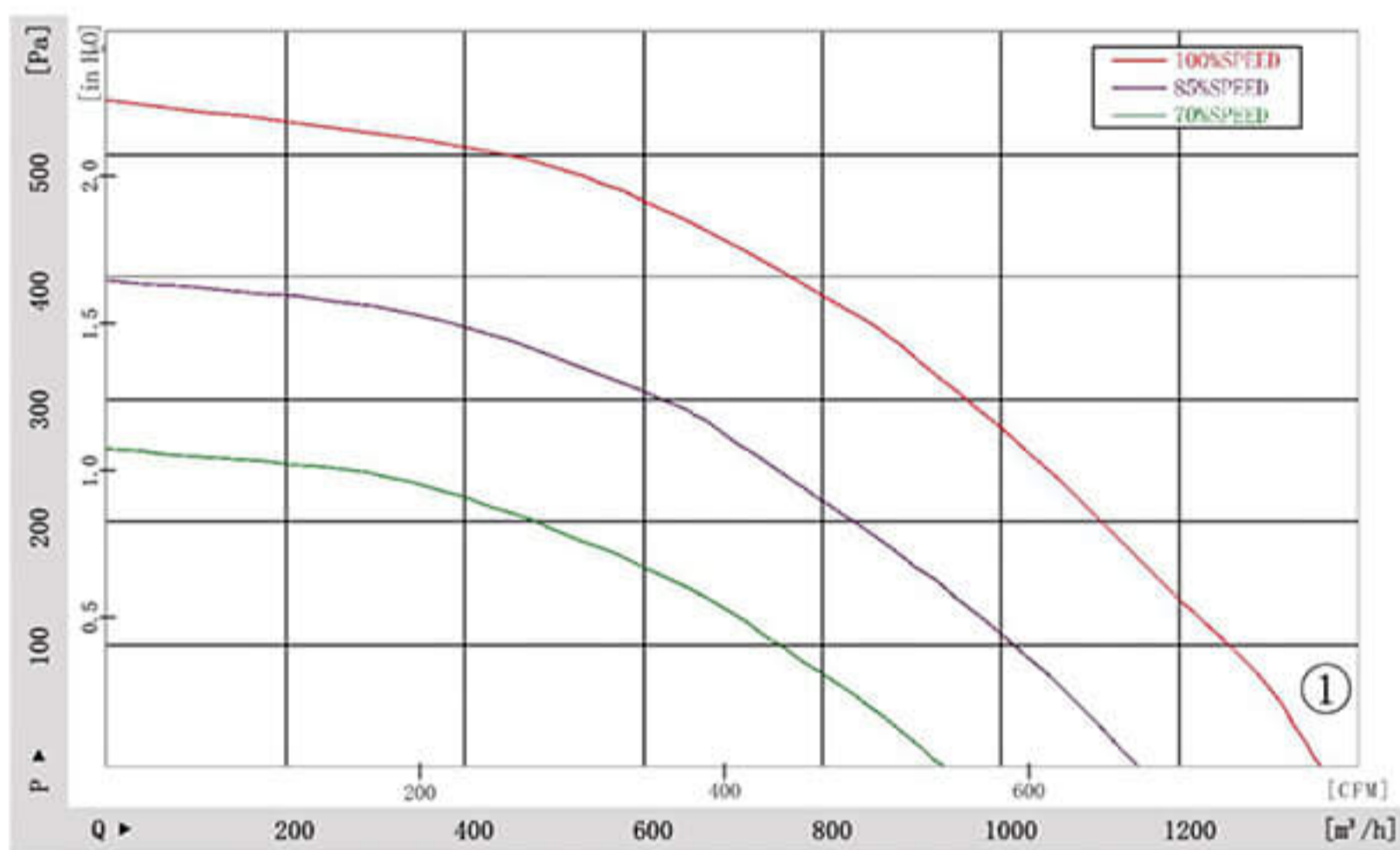
Approvals: CCC CE

Insulation class: B

Specifications

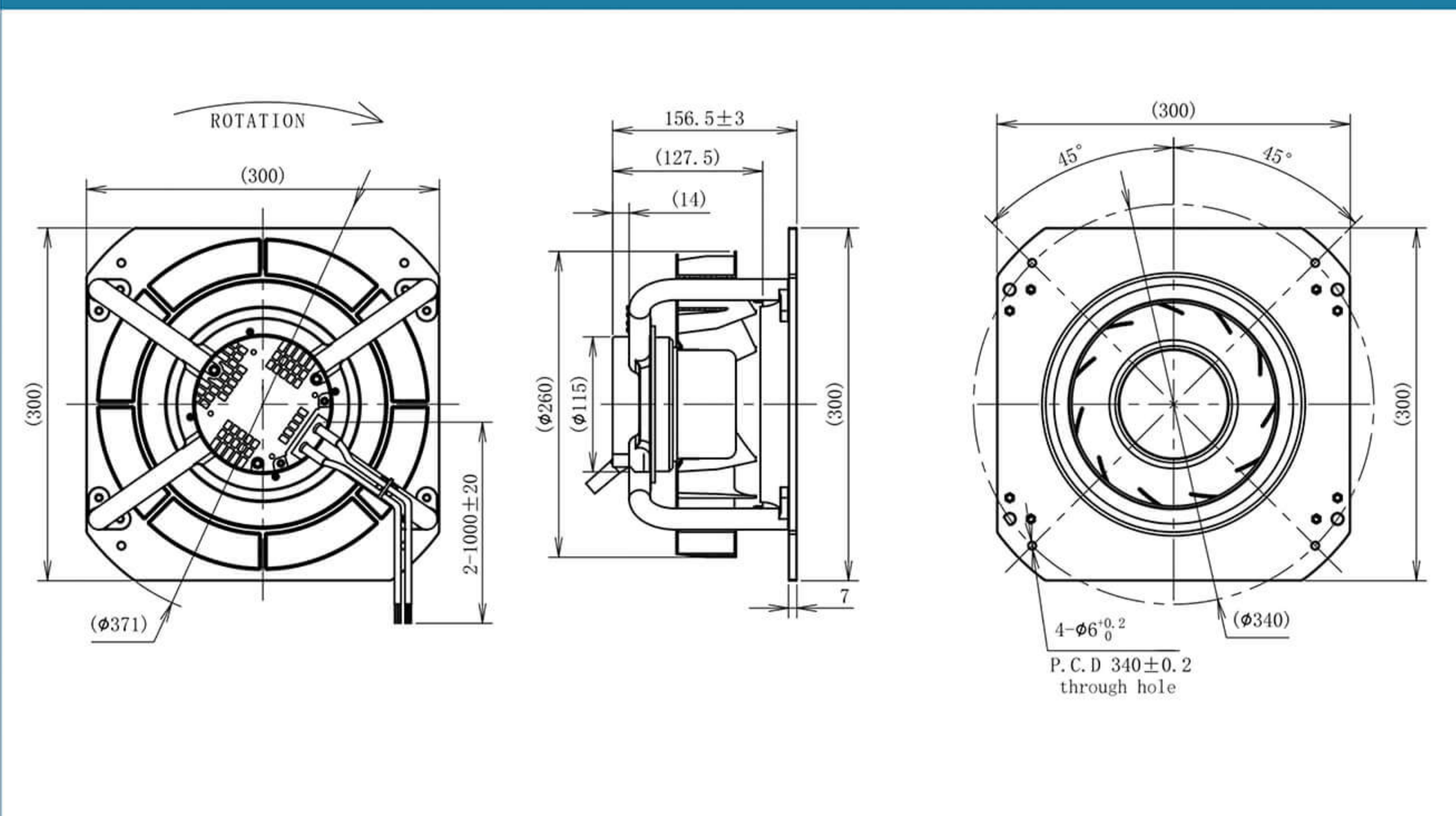
Type	Curve	Nominal voltage	Frequency	Speed	Power input	Current draw	Sound pressure level	Perm. amb. temp.
		[VAC]	[Hz]	[rpm]	[W]	[A]	[dB]	[°C]
BMF250-EC092-025	①	220	50/60	2600	170	1.1	69	-25~+60

Curves



SIGNAL	COLOR	SPEC	SIGNAL	COLOR	SPEC
L	BROWN	AC220V 50/60Hz	Vcc	RED	DC10V
N	BLUE	AC220V 50/60Hz	Vsp	YELLOW	0-10VDC/PWM
PE	YELLOW/GREEN	EARTH	GND	BLUE	GND
			FG	WHITE	1 Pulse/R

Dimensions





EC Backward Centrifugal Fans

Material: Sheet aluminium

Type of protection: IP44

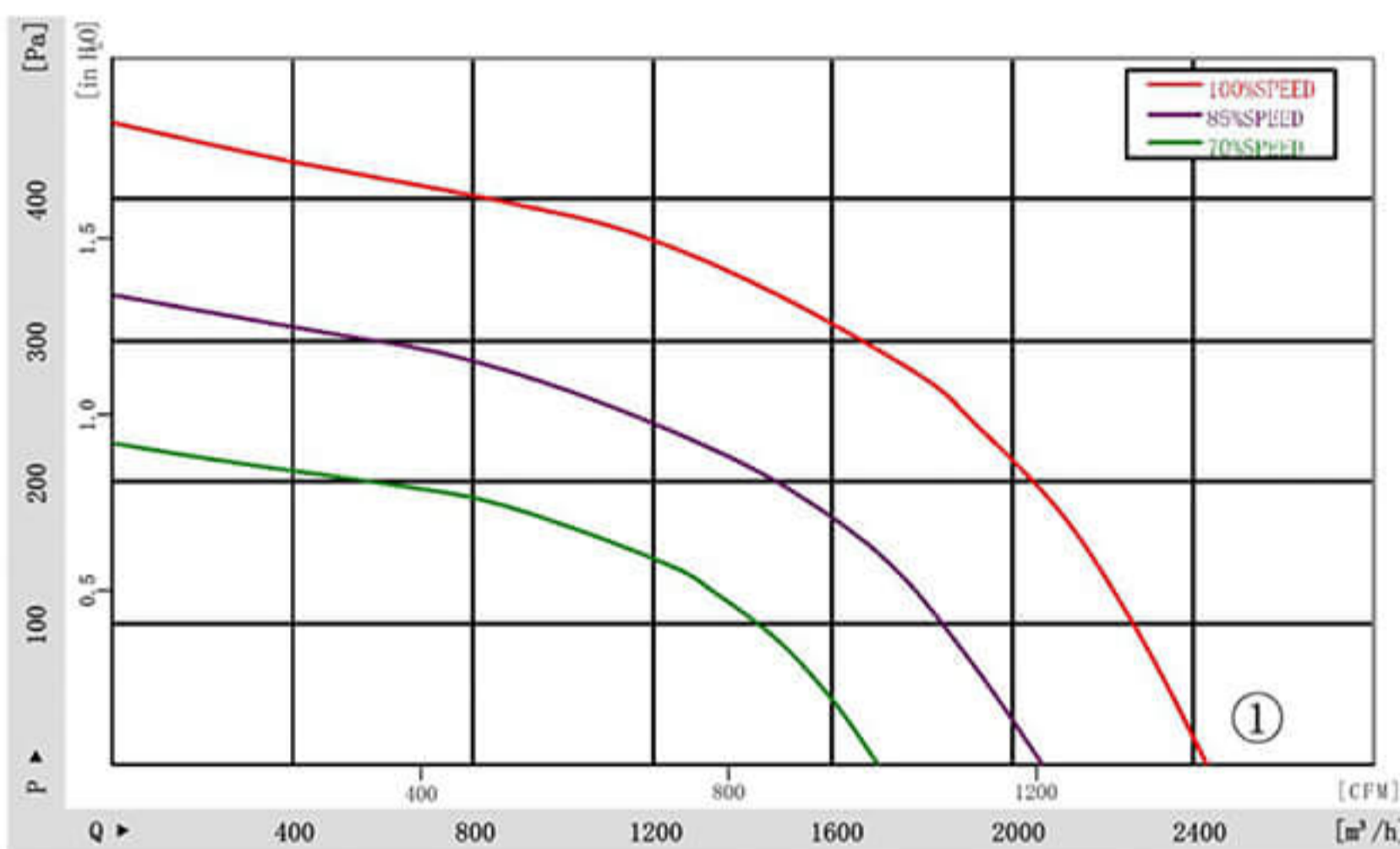
Approvals: CCC CE

Insulation class: B

Specifications

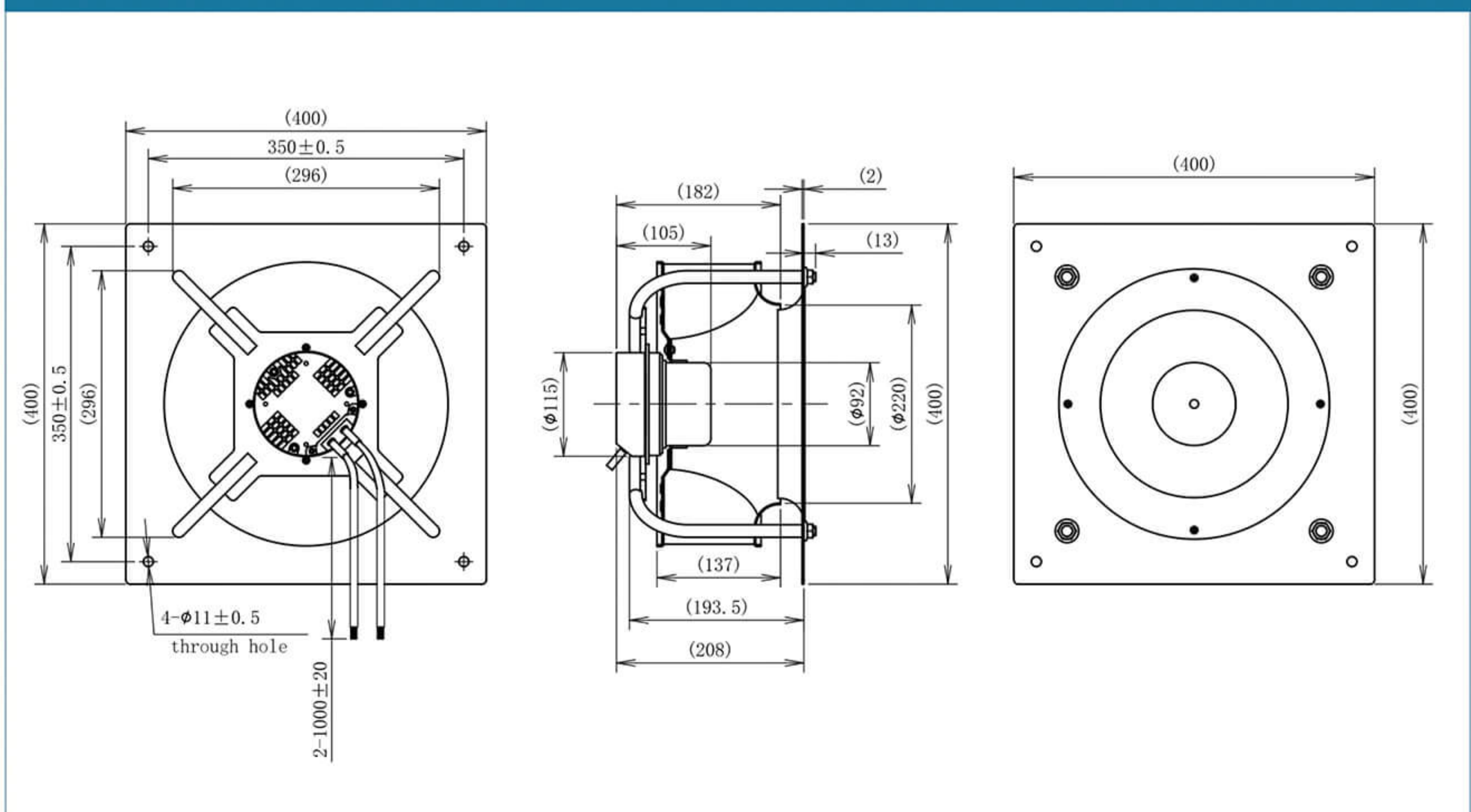
Type	Curve	Nominal voltage	Frequency	Speed	Power input	Current draw	Sound pressure level	Perm. amb. temp.
		[VAC]	[Hz]	[rpm]	[W]	[A]	[dB]	[°C]
BMF310-EC092-013	①	220	50/60	1770	175	1.3	73	-25~+60

Curves



SIGNAL	COLOR	SPEC	SIGNAL	COLOR	SPEC
L	BROWN	AC220V 50/60Hz	Vcc	RED	DC10V
N	BLUE	AC220V 50/60Hz	Vsp	YELLOW	0-10VDC/PWM
PE	YELLOW/GREEN	EARTH	GND	BLUE	GND
			FG	WHITE	1 Pulse/R

Dimensions





EC Backward Centrifugal Fans

Material: Sheet aluminium

Type of protection: IP44

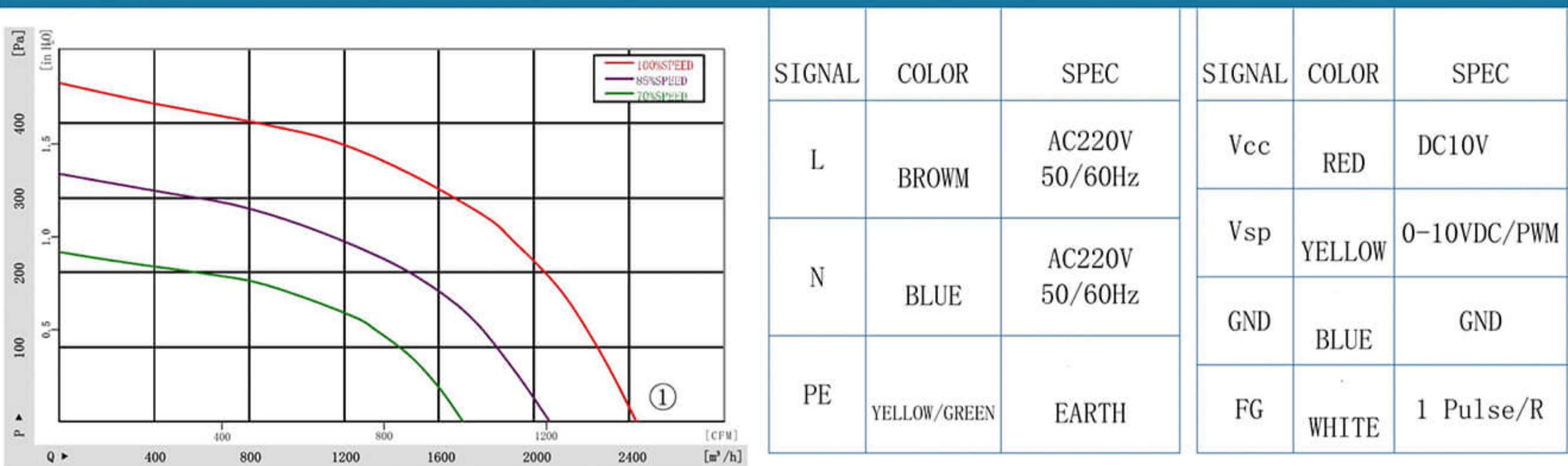
Approvals: CCC CE

Insulation class: B

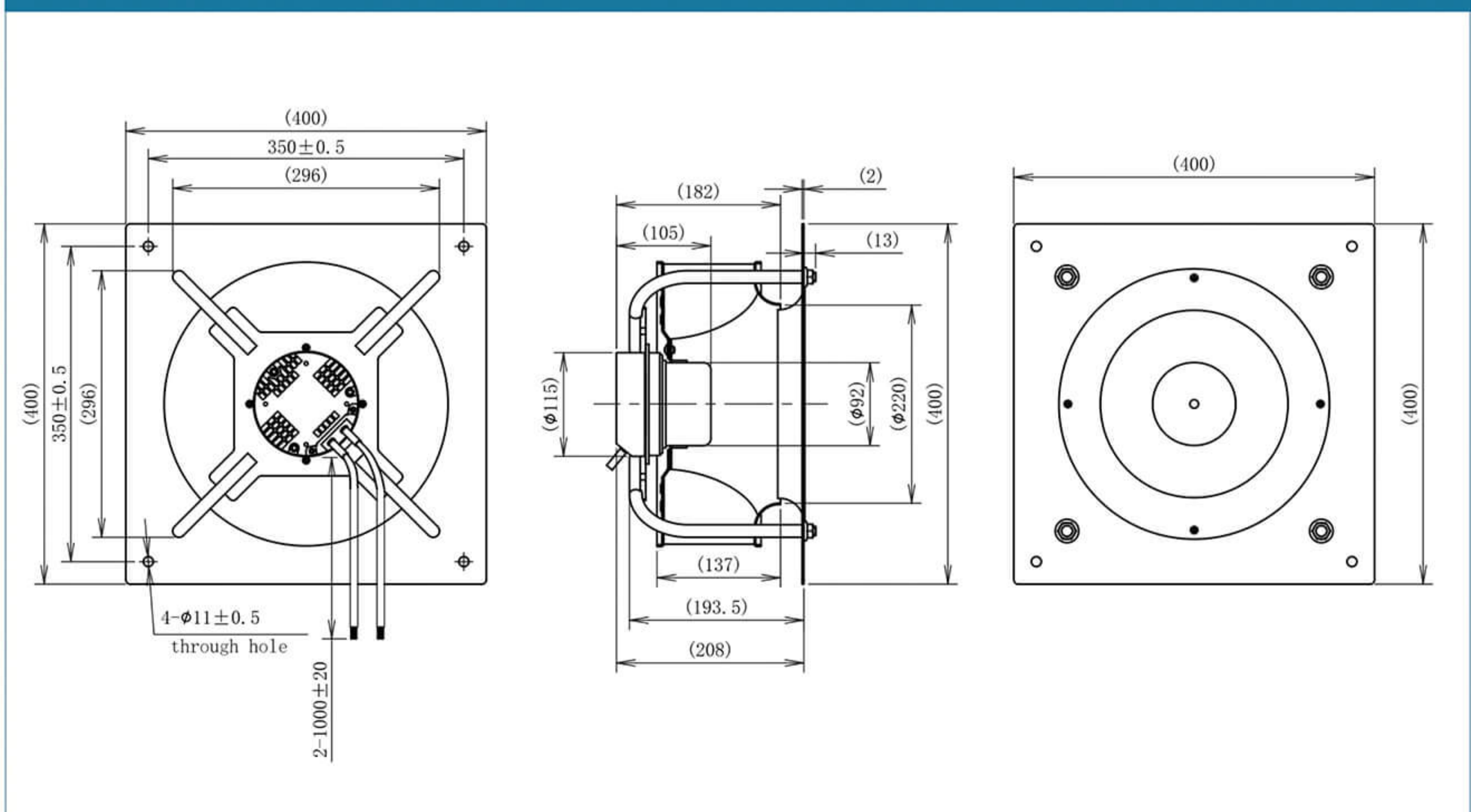
Specifications

Type	Curve	Nominal voltage	Frequency	Speed	Power input	Current draw	Sound pressure level	Perm. amb. temp.
		[VAC]	[Hz]	[rpm]	[W]	[A]	[dB]	[°C]
BMF310-EC092-013	①	220	50/60	1770	175	1.3	73	-25~+60

Curves



Dimensions





EC Backward Centrifugal Fans

Material: Sheet aluminium

Type of protection: IP 54

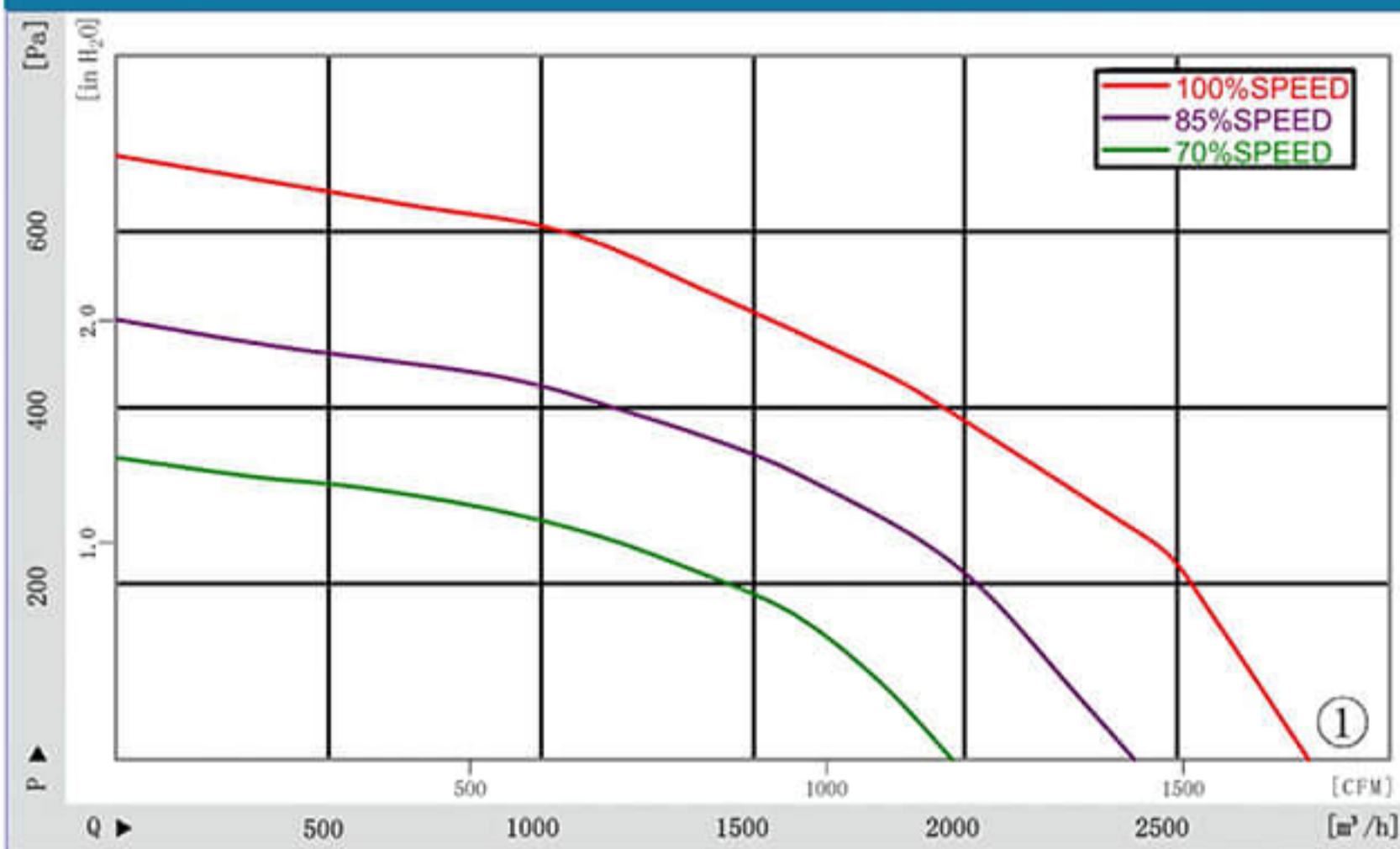
Approvals: CCC CE TUV

Insulation class: B

Specifications

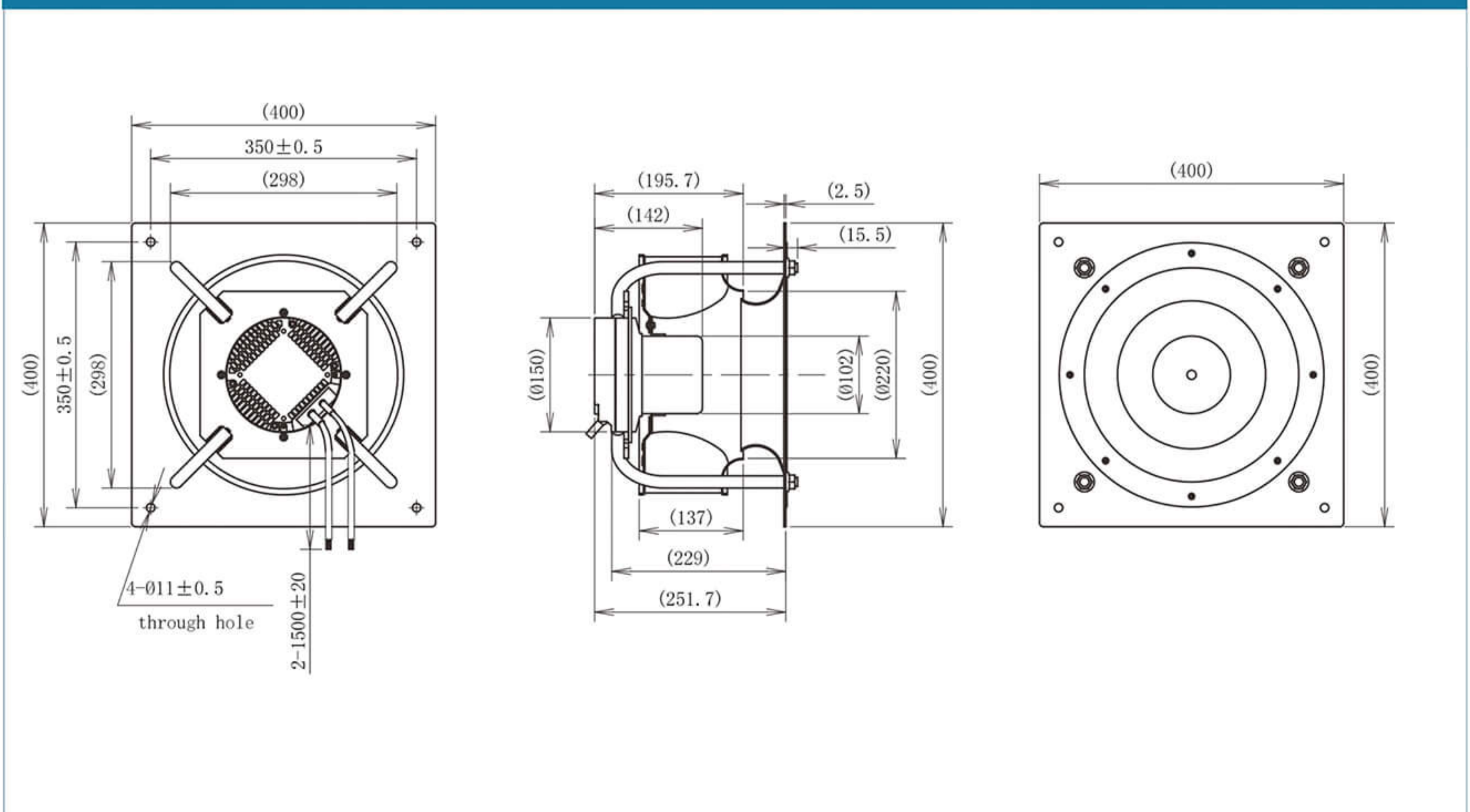
Type	Curve	Nominal voltage	Frequency	Speed	Power input	Current draw	Sound pressure level	Perm. amb. temp.
		[VAC]	[Hz]	[rpm]	[W]	[A]	[dB]	[°C]
BMF310-EC102-013	①	220	50/60	2200	320	1.45	68	-25~+60

Curves



SIGNAL	COLOR	SPEC	SIGNAL	COLOR	SPEC
L	BROWN	AC220V 50/60Hz	Vcc	RED	DC10V
N	BLUE	AC220V 50/60Hz	Vsp	YELLOW	0-10VDC/PWM
PE	YELLOW/GREEN	EARTH	GND	BLUE	GND
			FG	WHITE	12 Pulse/R

Dimensions





EC Backward Centrifugal Fans

Material: Sheet aluminium

Type of protection: IP 54

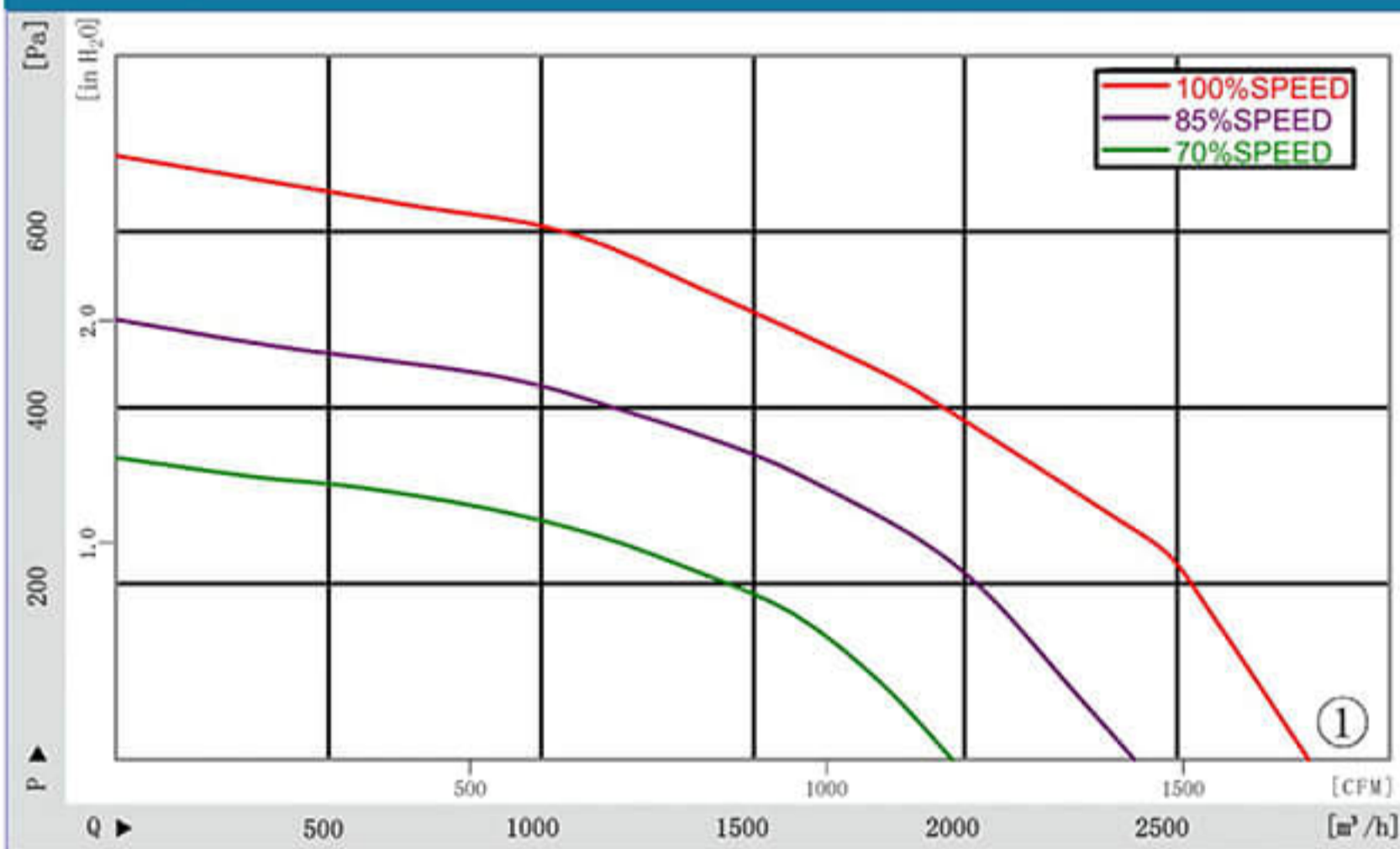
Approvals: CCC CE TUV

Insulation class: B

Specifications

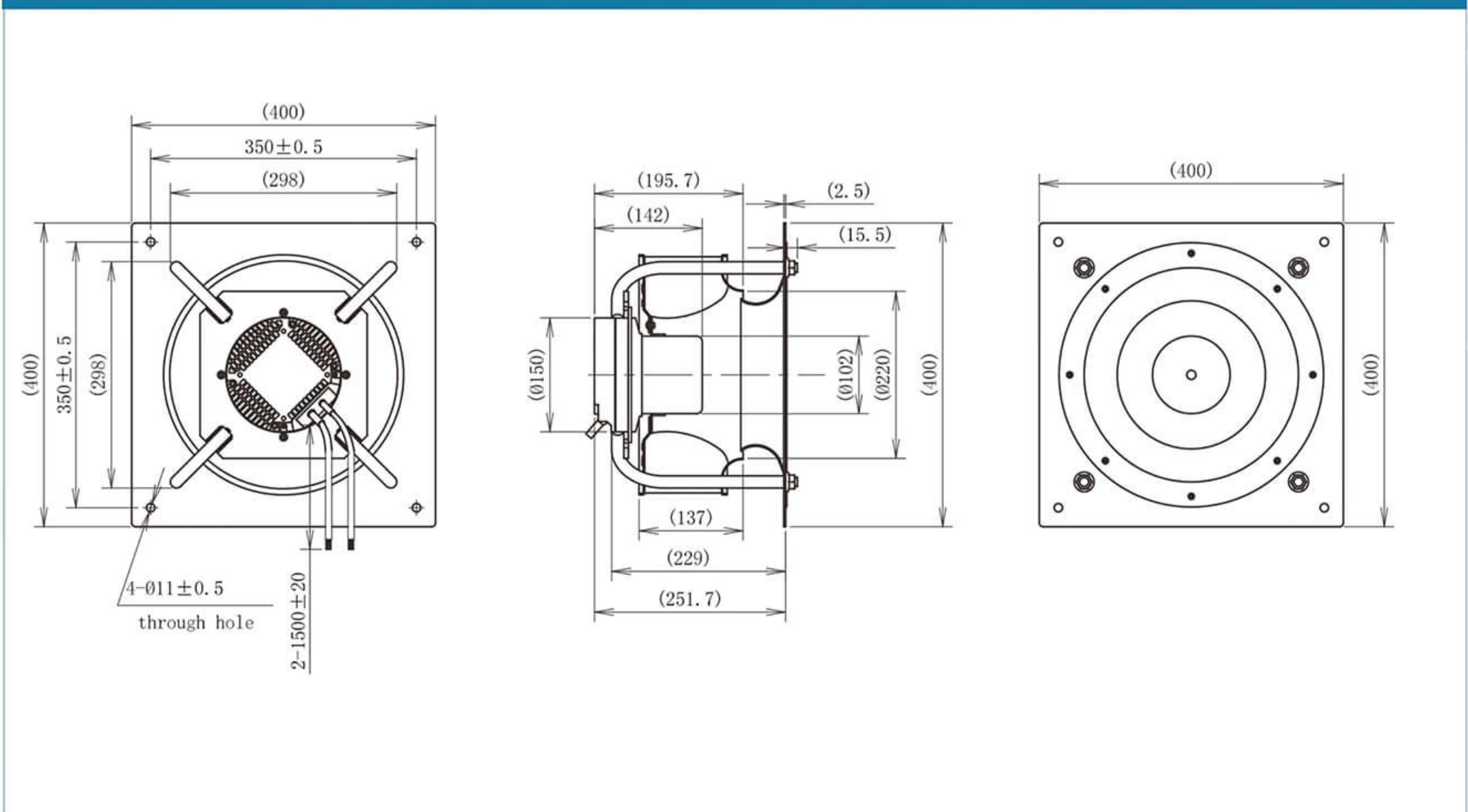
Type	Curve	Nominal voltage	Frequency	Speed	Power input	Current draw	Sound pressure level	Perm. amb. temp.
		[VAC]	[Hz]	[rpm]	[W]	[A]	[dB]	[°C]
BMF310-EC102-013	①	220	50/60	2200	320	1.45	68	-25~+60

Curves



SIGNAL	COLOR	SPEC	SIGNAL	COLOR	SPEC
L	BROWN	AC220V 50/60Hz	Vcc	RED	DC10V
N	BLUE	AC220V 50/60Hz	Vsp	YELLOW	0-10VDC/PWM
PE	YELLOW/GREEN	EARTH	GND	BLUE	GND
			FG	WHITE	12 Pulse/R

Dimensions





EC Backward Centrifugal Fans

Material: Sheet aluminium

Type of protection: IP 54

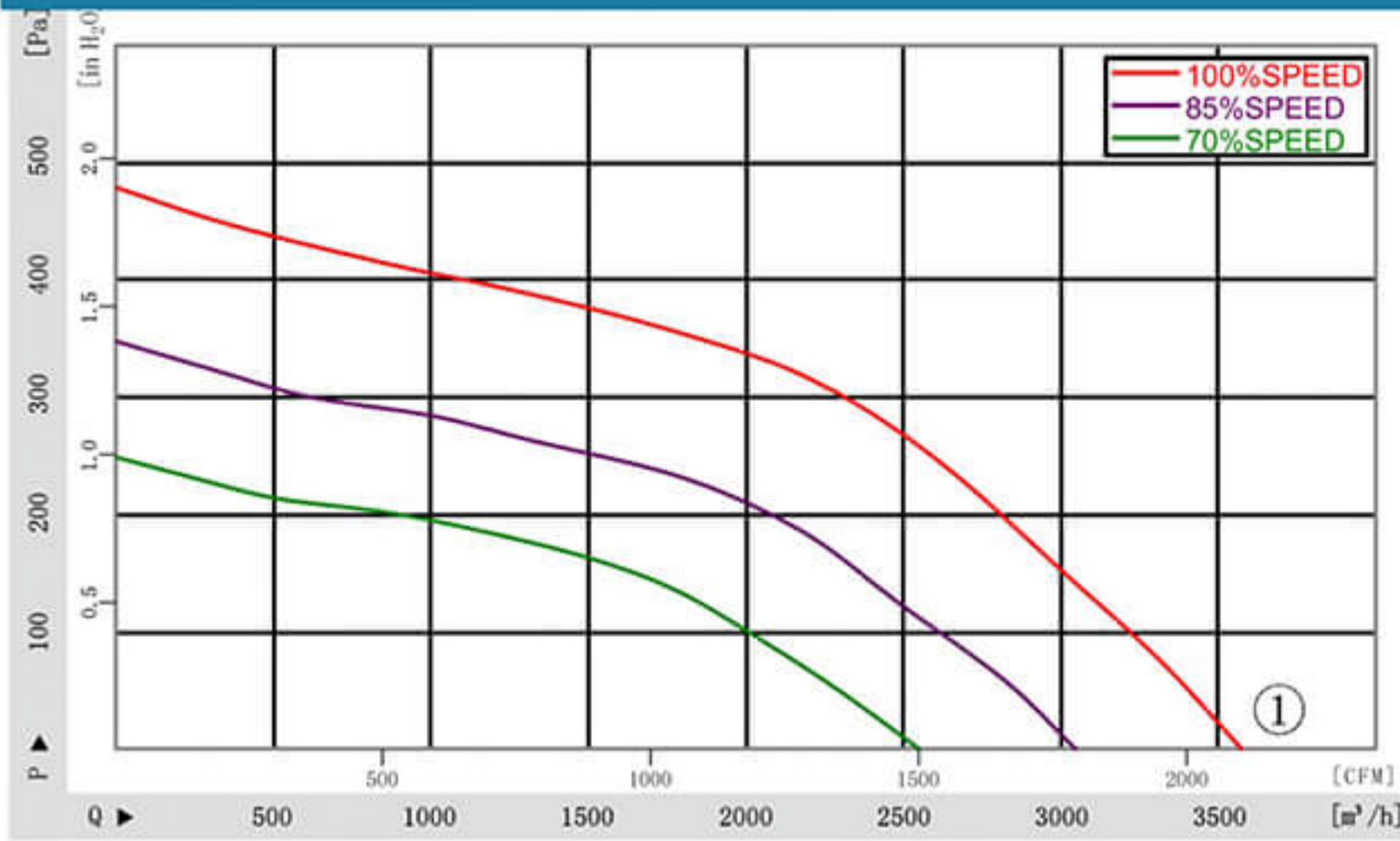
Approvals: CCC CE TUV

Insulation class: B

Specifications

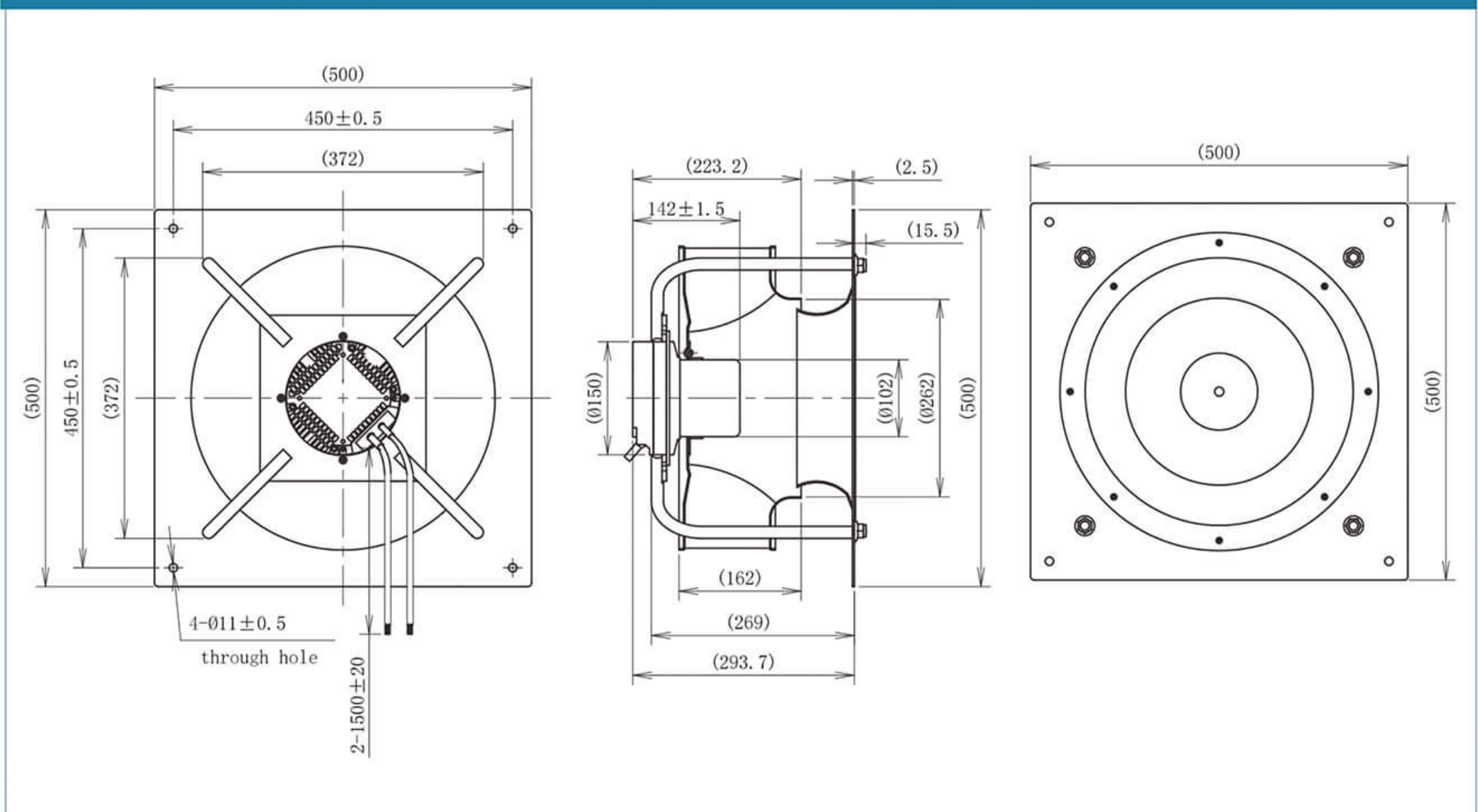
Type	Curve	Nominal voltage	Frequency	Speed	Power input	Current draw	Sound pressure level	Perm. amb. temp.
		[VAC]	[Hz]	[rpm]	[W]	[A]	[dB]	[°C]
BMF400-EC102-013	①	220	50/60	1430	330	1.5	69	-25~+60

Curves



SIGNAL	COLOR	SPEC	SIGNAL	COLOR	SPEC
L	BROWN	AC220V 50/60Hz	Vcc	RED	DC10V
N	BLUE	AC220V 50/60Hz	Vsp	YELLOW	0-10VDC/PWM
PE	YELLOW/GREEN	EARTH	GND	BLUE	GND
			FG	WHITE	12 Pulse/R

Dimensions





EC Backward Centrifugal Fans

Material: Sheet aluminium

Type of protection: IP 54

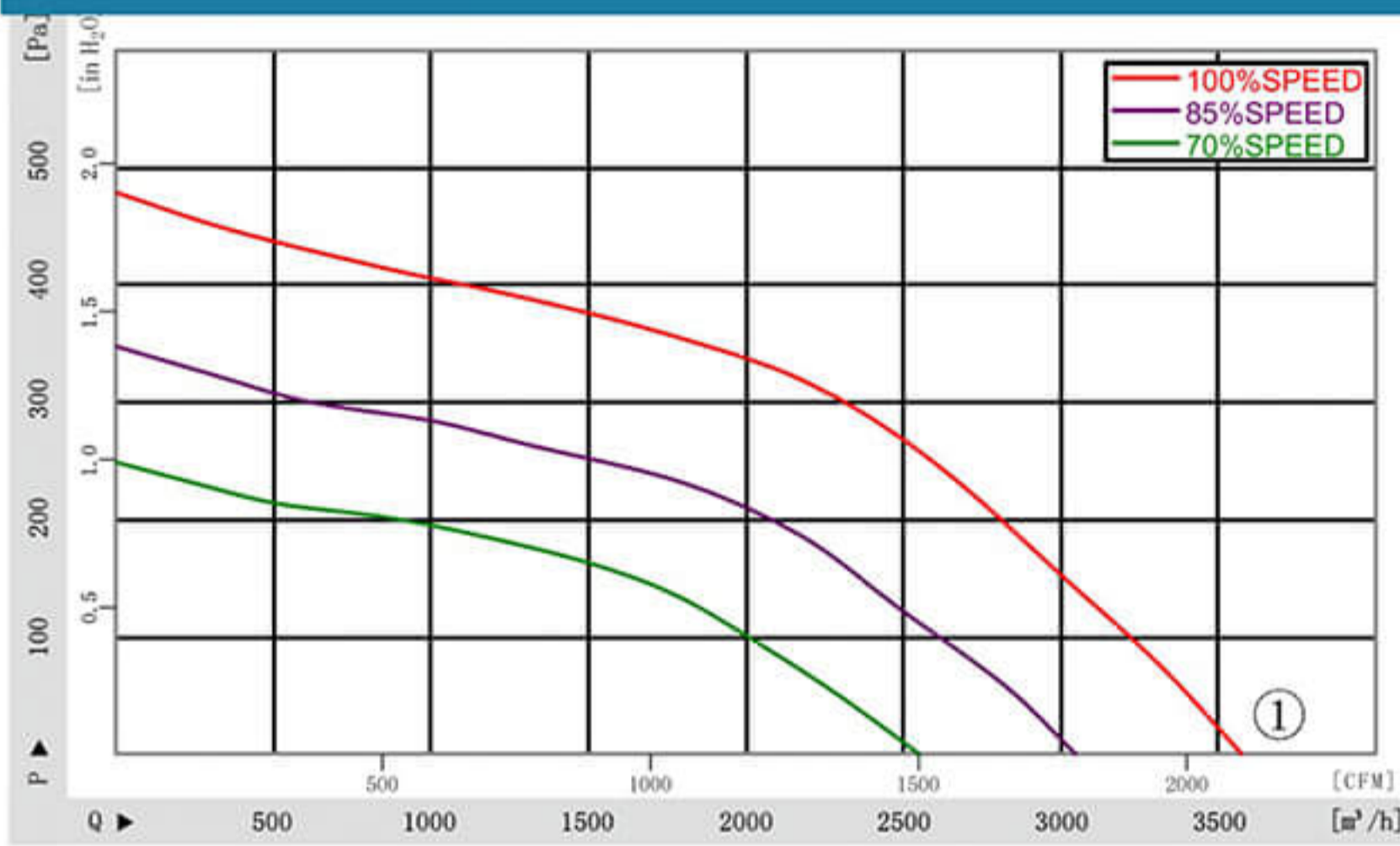
Approvals: CCC CE TUV

Insulation class: B

Specifications

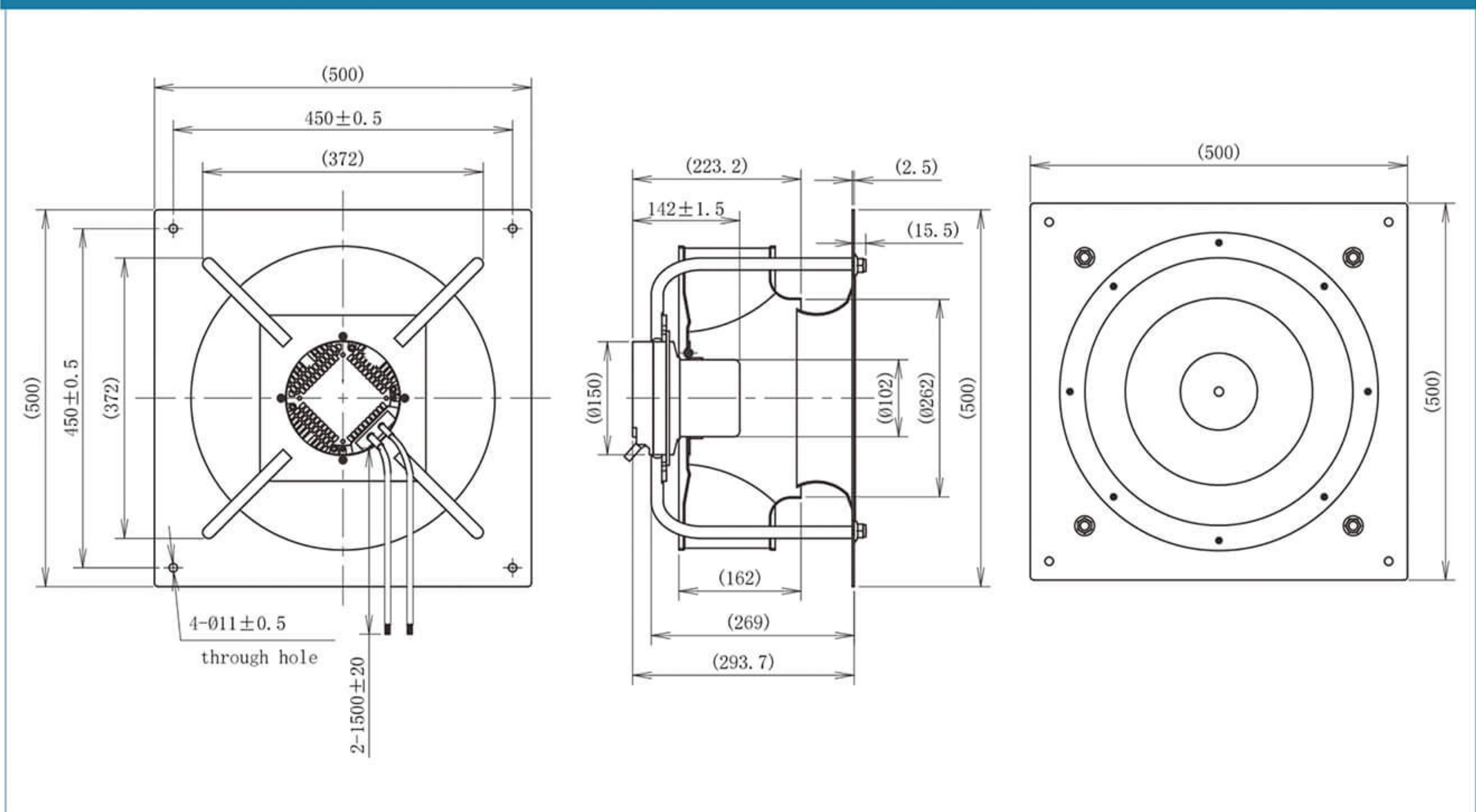
Type	Curve	Nominal voltage	Frequency	Speed	Power input	Current draw	Sound pressure level	Perm. amb. temp.
		[VAC]	[Hz]	[rpm]	[W]	[A]	[dB]	[°C]
BMF400-EC102-013	①	220	50/60	1430	330	1.5	69	-25~+60

Curves



SIGNAL	COLOR	SPEC	SIGNAL	COLOR	SPEC
L	BROWN	AC220V 50/60Hz	Vcc	RED	DC10V
N	BLUE	AC220V 50/60Hz	Vsp	YELLOW	0-10VDC/PWM
PE	YELLOW/GREEN	EARTH	GND	BLUE	GND
			FG	WHITE	12 Pulse/R

Dimensions





EC Backward Centrifugal Fans

Material: Sheet aluminium

Type of protection: IP44

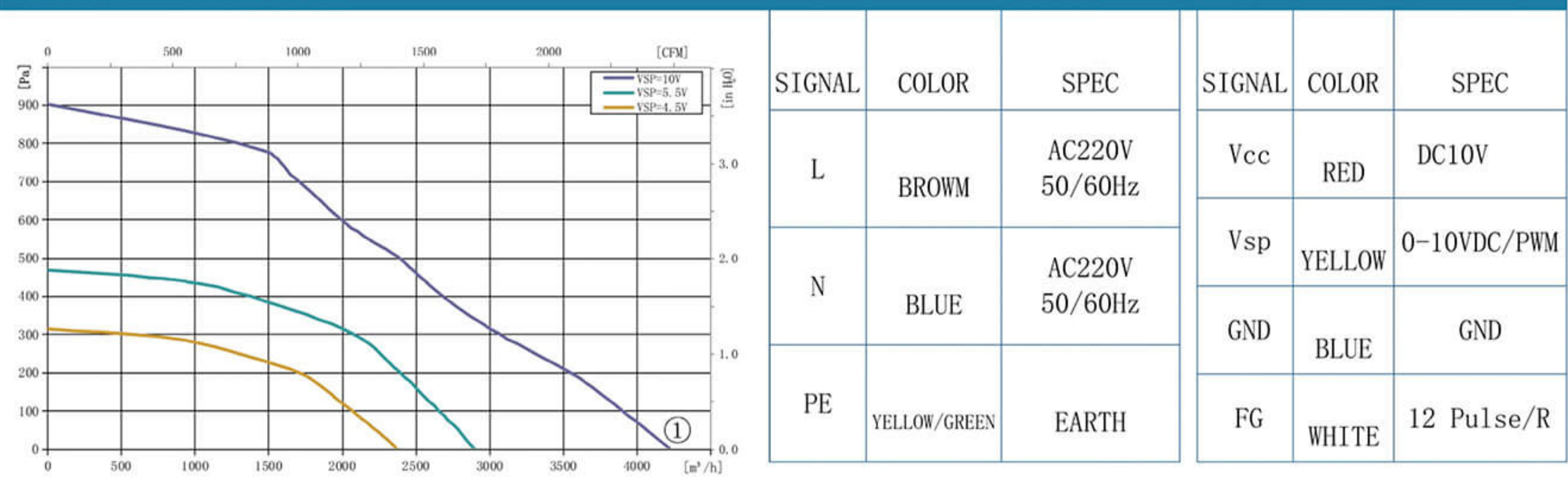
Approvals: CCC CE

Insulation class: F

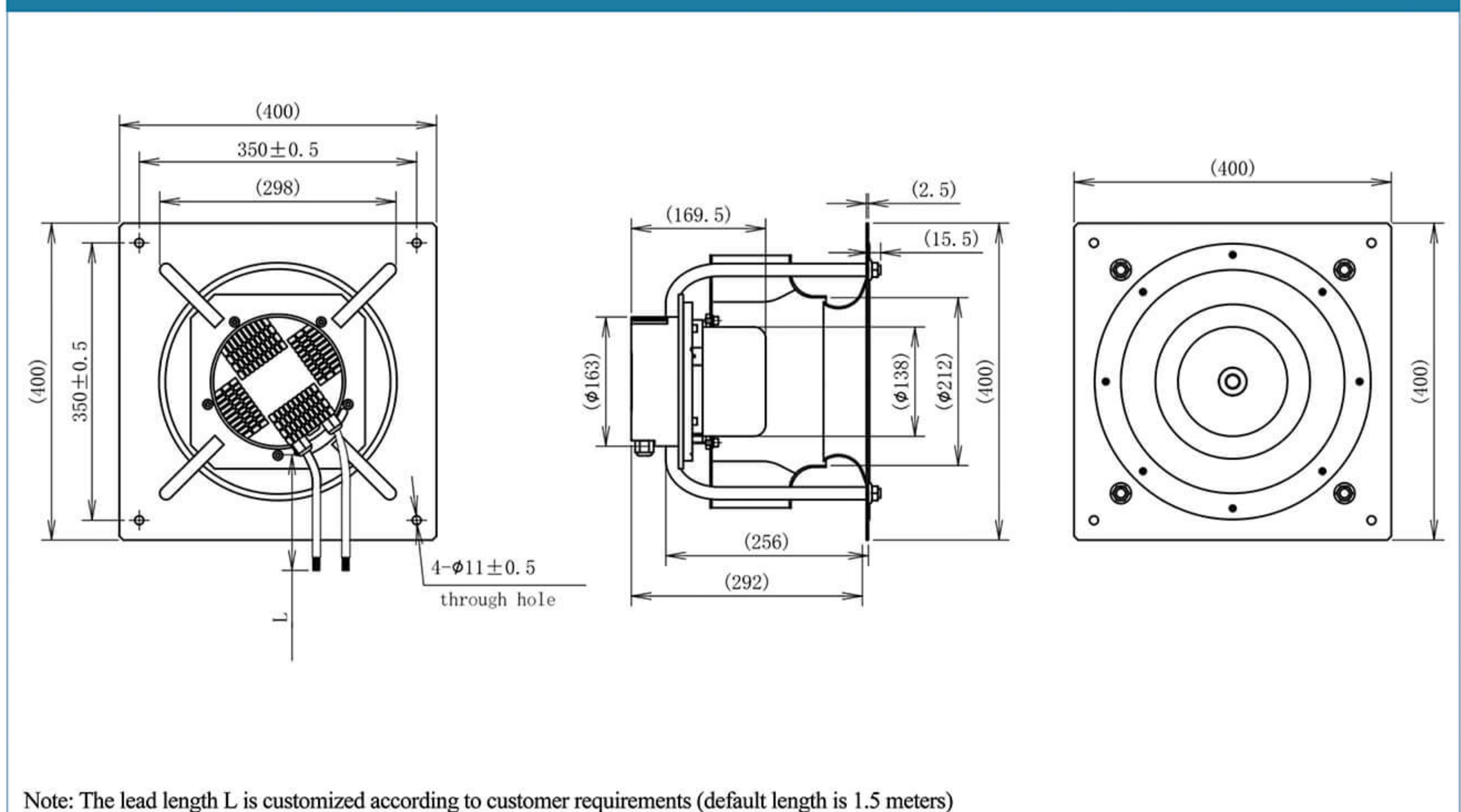
Specifications

Type	Curve	Nominal voltage	Frequency	Speed	Power input	Current draw	Sound pressure level	Perm. amb. temp.
BMF310-EC137-201		[VAC]	[Hz]	[rpm]	[W]	[A]	[dB]	[°C]
	①	220	50/60	2600	730	3.4	85	-25~+60

Curves



Dimensions





EC Backward Centrifugal Fans

Material: Sheet aluminium

Type of protection: IP44

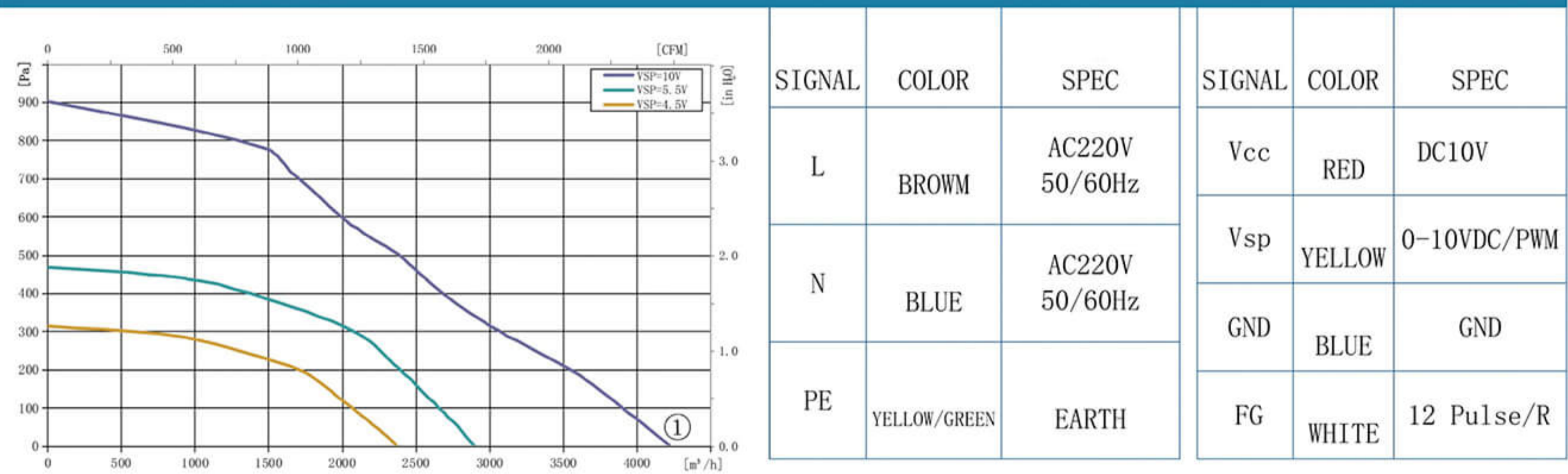
Approvals: CCC CE

Insulation class: F

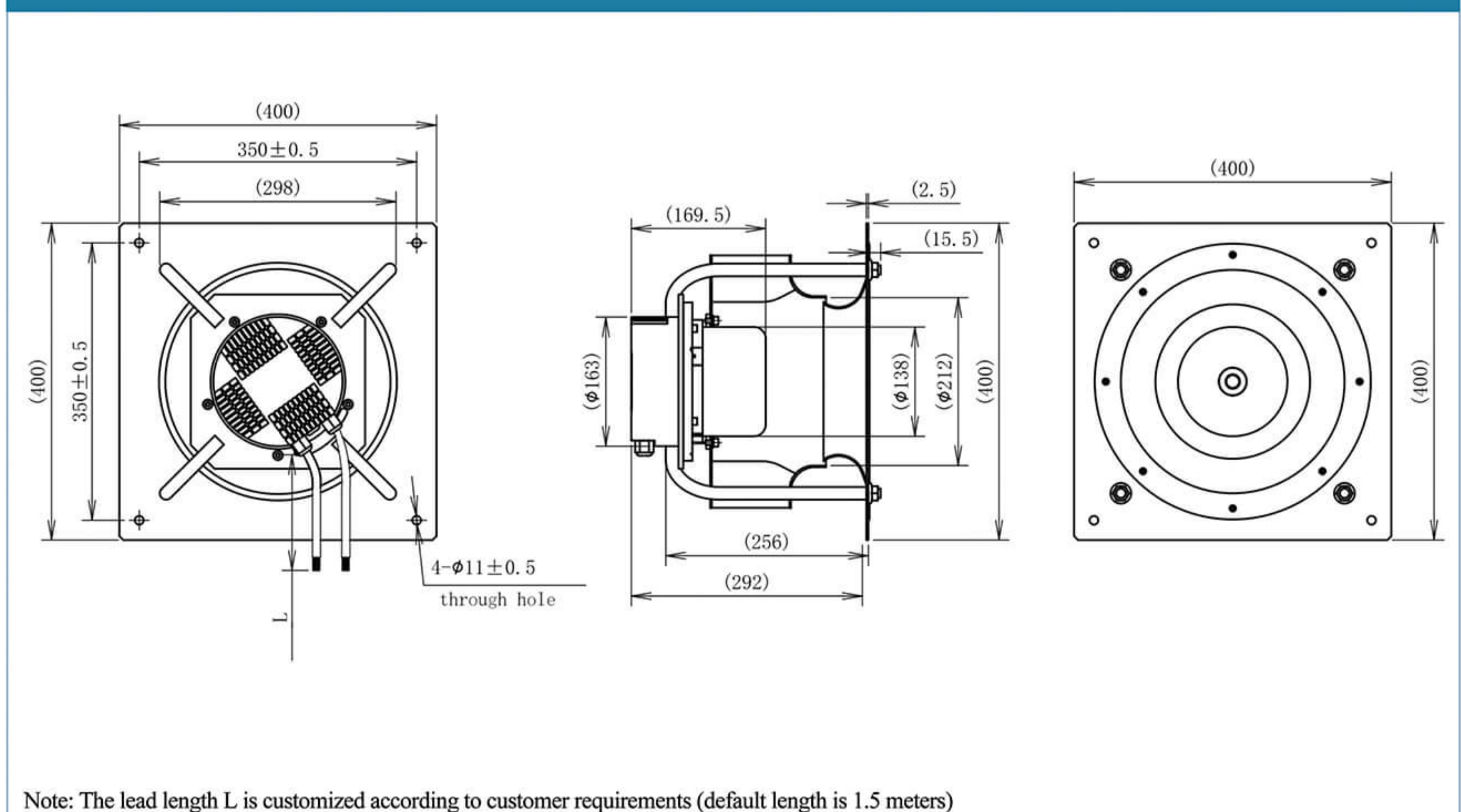
Specifications

Type	Curve	Nominal voltage	Frequency	Speed	Power input	Current draw	Sound pressure level	Perm. amb. temp.
BMF310-EC137-201		[VAC]	[Hz]	[rpm]	[W]	[A]	[dB]	[°C]
	①	220	50/60	2600	730	3.4	85	-25~+60

Curves



Dimensions





EC Backward Centrifugal Fans

Material: Sheet aluminium

Type of protection: IP44

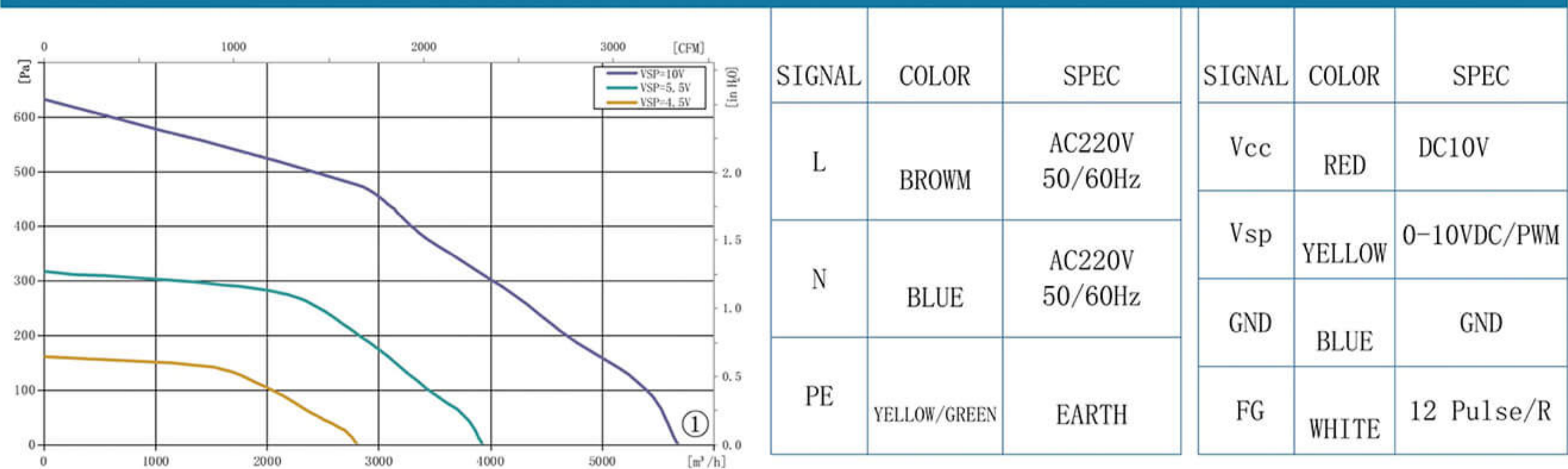
Approvals: CCC CE

Insulation class: F

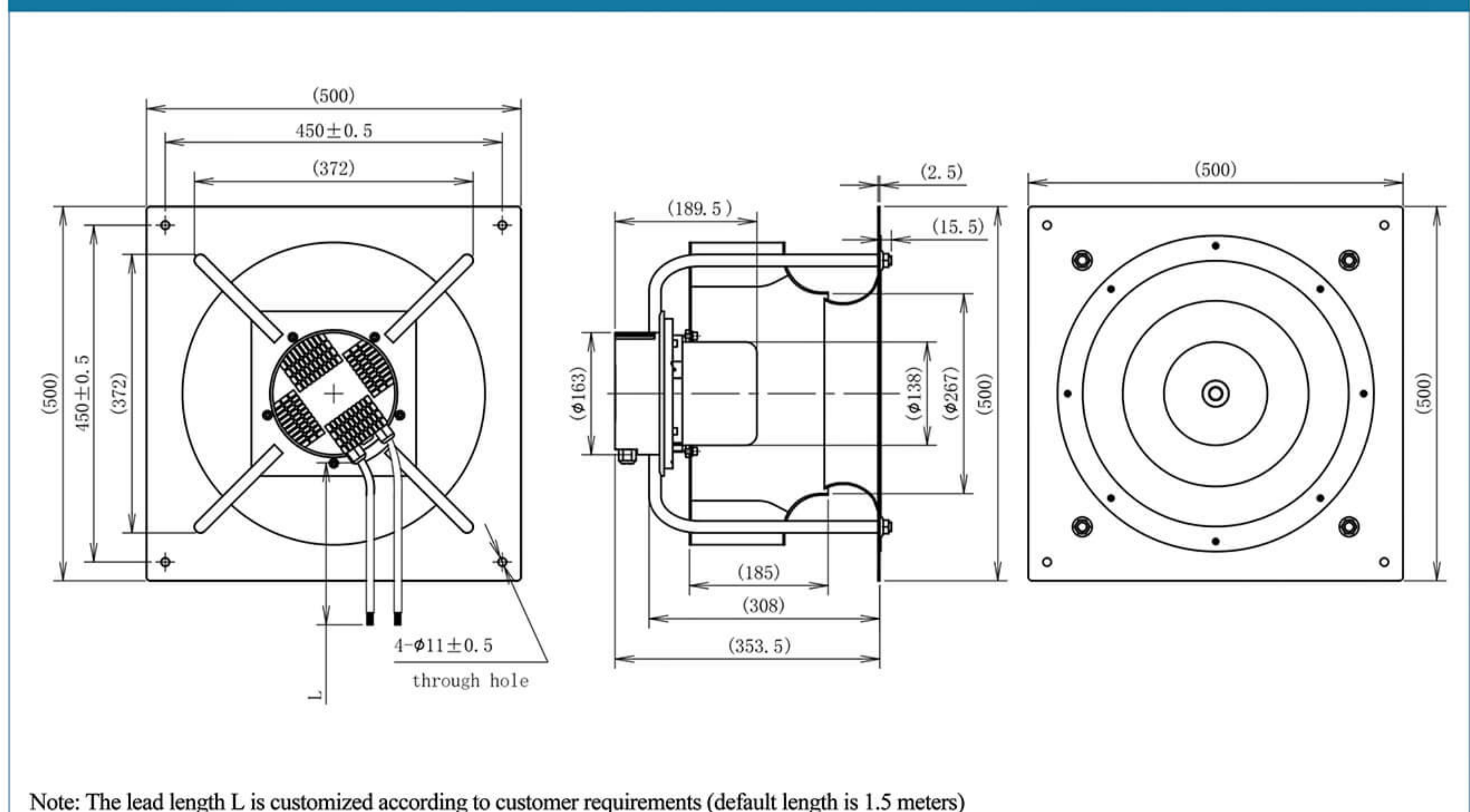
Specifications

Type	Curve	Nominal voltage	Frequency	Speed	Power input	Current draw	Sound pressure level	Perm. amb. temp.
BMF400-EC137-201		[VAC]	[Hz]	[rpm]	[W]	[A]	[dB]	[°C]
	①	220	50/60	1700	725	3.4	80	-25~+60

Curves



Dimensions





EC Backward Centrifugal Fans

Material: Sheet aluminium

Type of protection: IP44

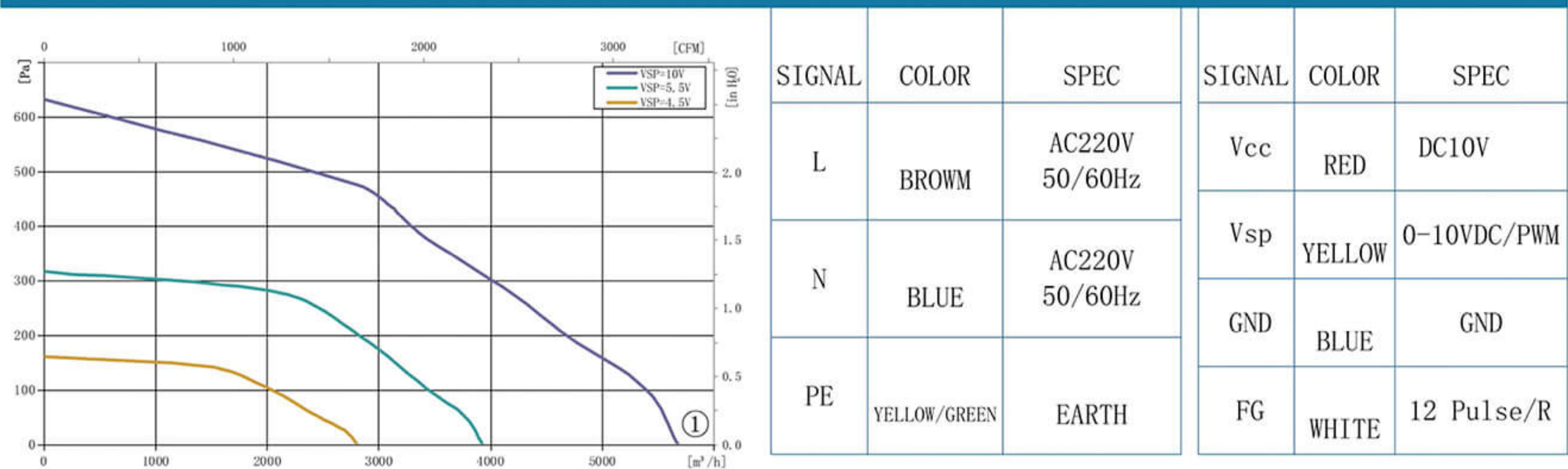
Approvals: CCC CE

Insulation class: F

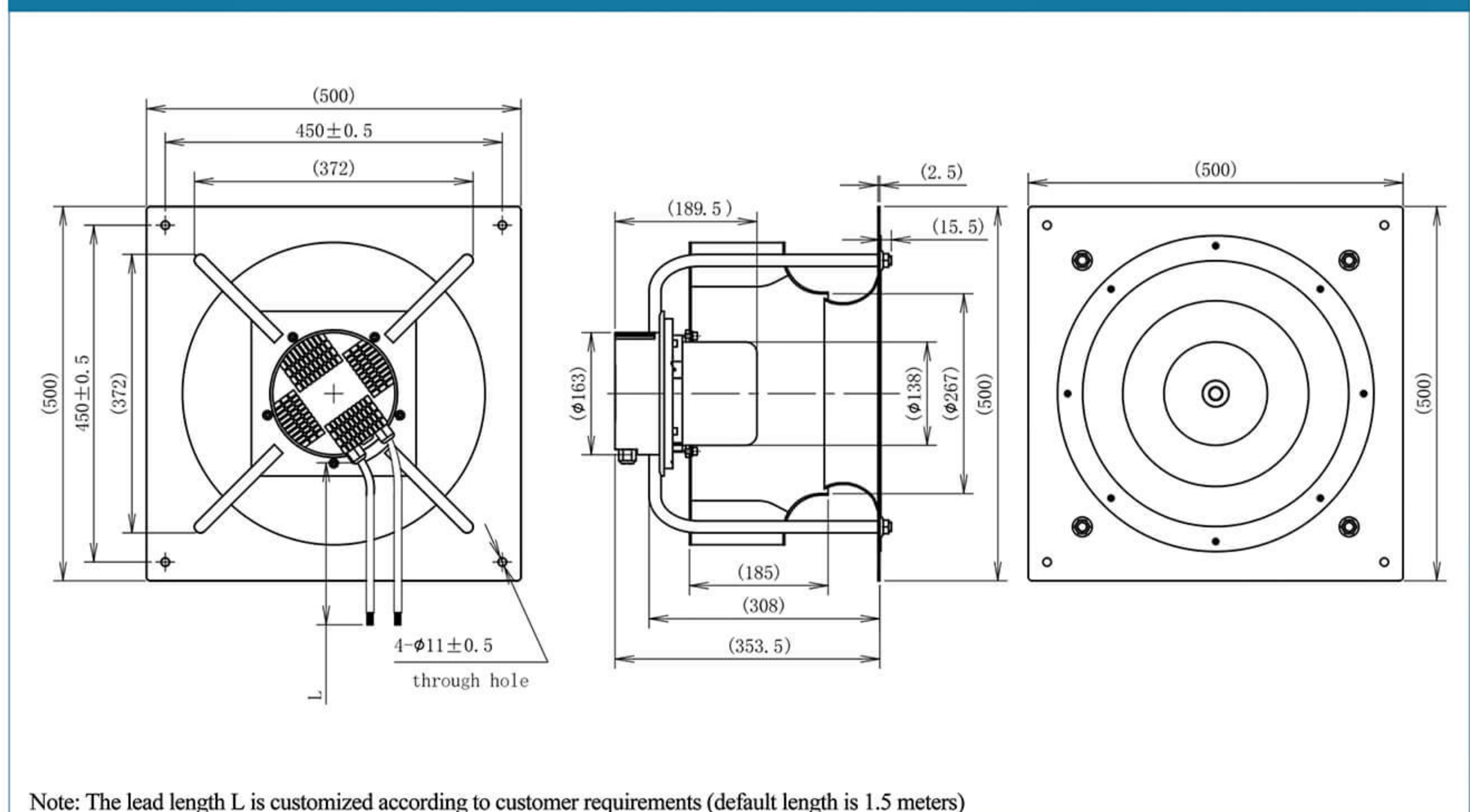
Specifications

Type	Curve	Nominal voltage	Frequency	Speed	Power input	Current draw	Sound pressure level	Perm. amb. temp.
		[VAC]	[Hz]	[rpm]	[W]	[A]	[dB]	[°C]
BMF400-EC137-201	①	220	50/60	1700	725	3.4	80	-25~+60

Curves



Dimensions





EC Backward Centrifugal Fans

Material: Sheet aluminium

Type of protection: IP44

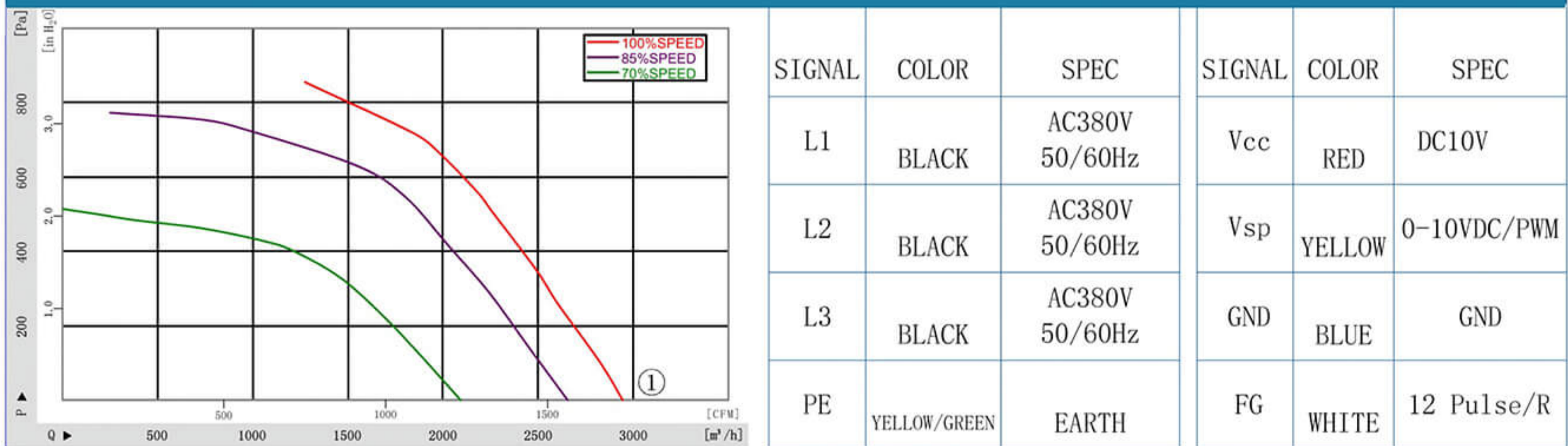
Approvals: CCC CE

Insulation class: F

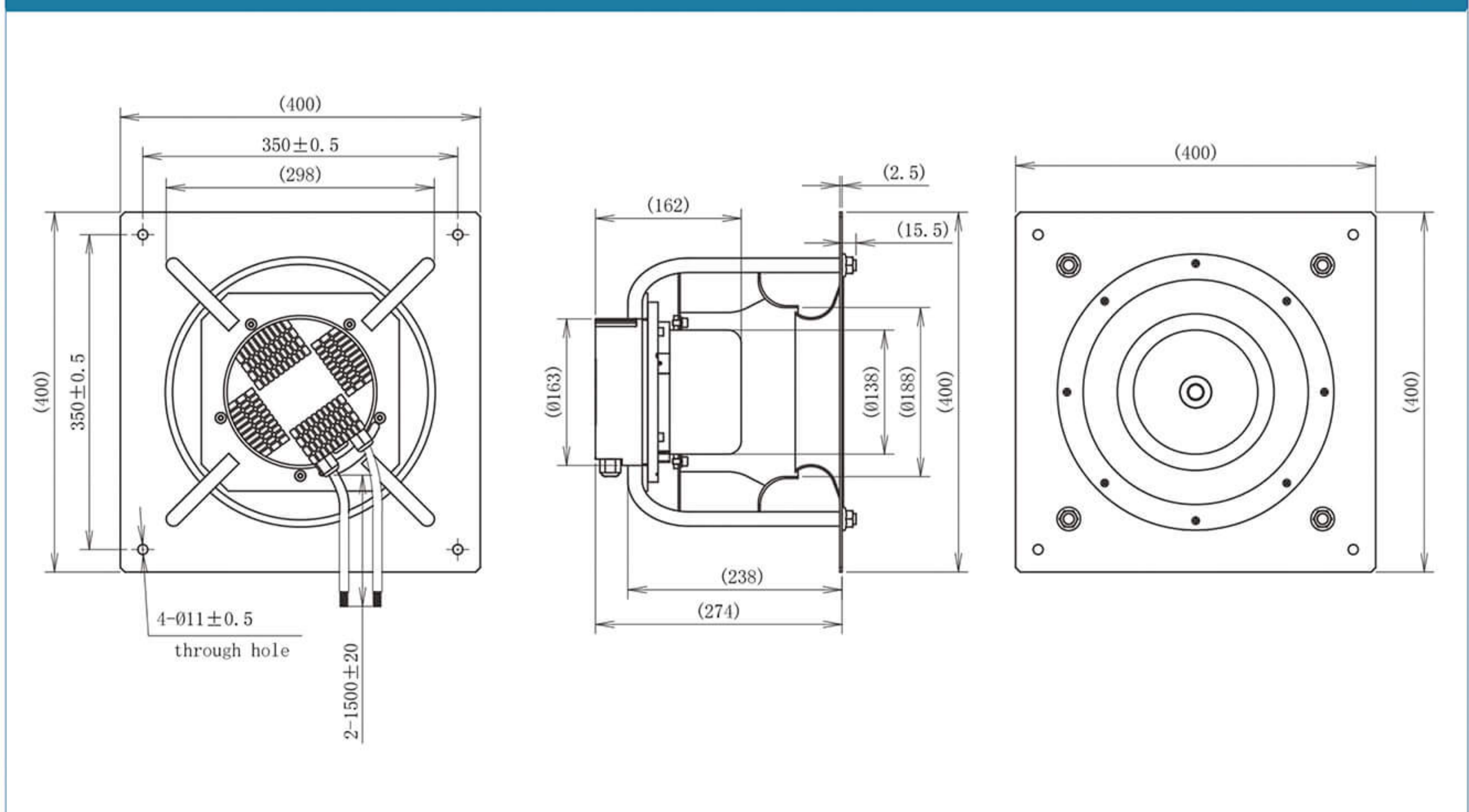
Specifications

Type	Curve	Nominal voltage	Frequency	Speed	Power input	Current draw	Sound pressure level	Perm. amb. temp.
		[VAC]	[Hz]	[rpm]	[W]	[A]	[dB]	[°C]
BMF280-EC137-010	①	3~380	50/60	2850	780	1.1	85	-25~+60

Curves



Dimensions





EC Backward Centrifugal Fans

Material: Sheet aluminium

Type of protection: IP44

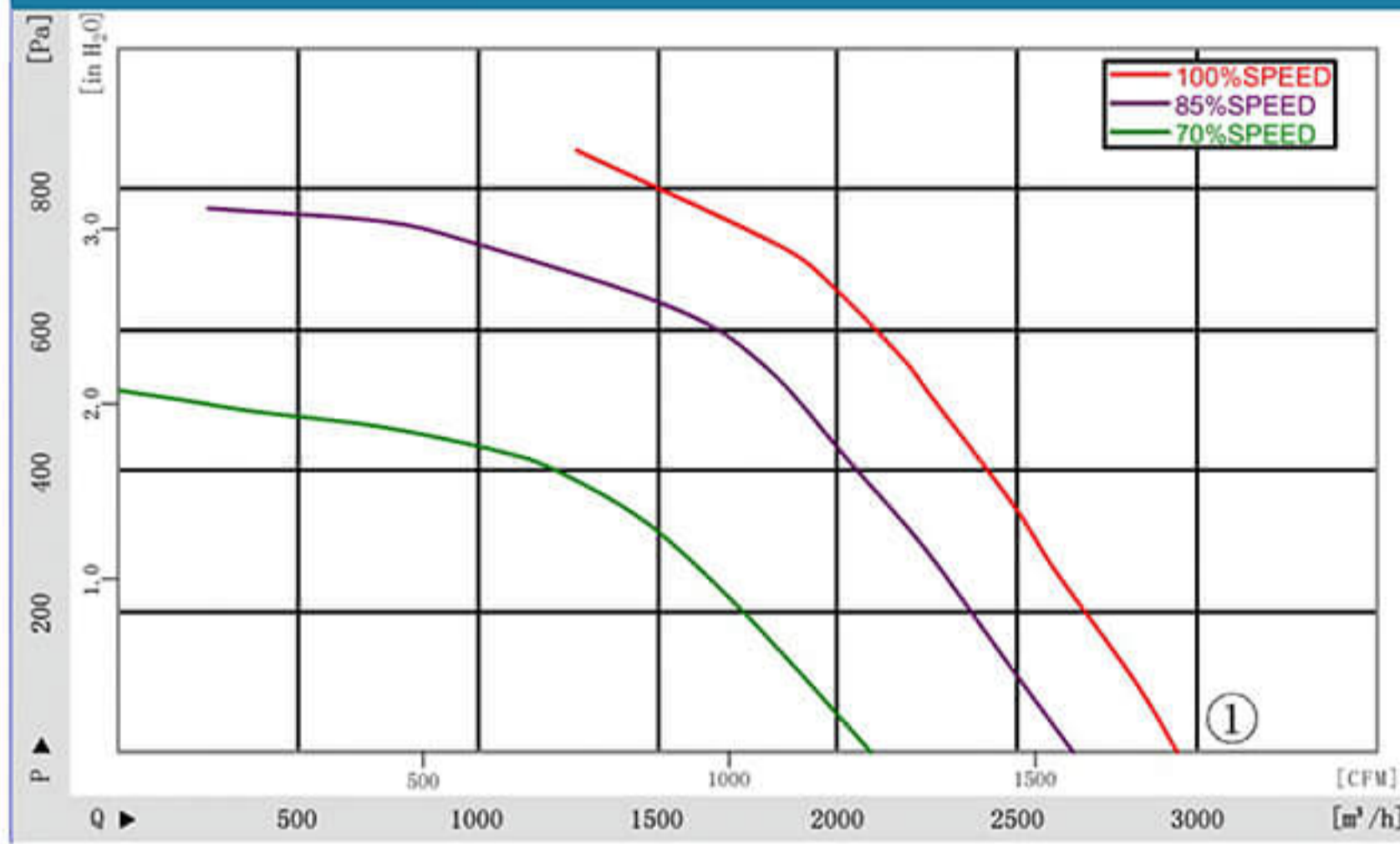
Approvals: CCC CE

Insulation class: F

Specifications

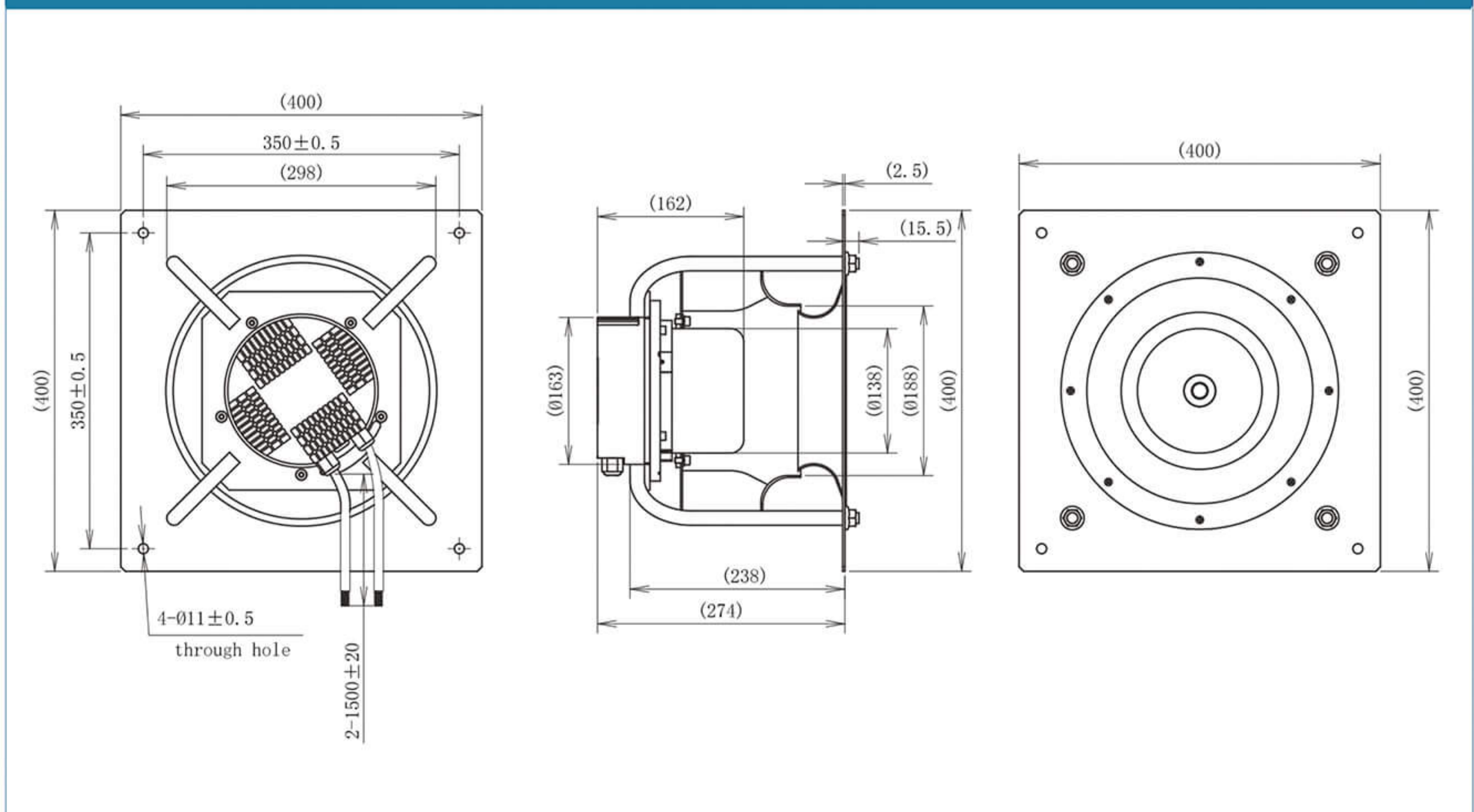
Type	Curve	Nominal voltage	Frequency	Speed	Power input	Current draw	Sound pressure level	Perm. amb. temp.
		[VAC]	[Hz]	[rpm]	[W]	[A]	[dB]	[°C]
BMF280-EC137-010	①	3~380	50/60	2850	780	1.1	85	-25~+60

Curves



SIGNAL	COLOR	SPEC	SIGNAL	COLOR	SPEC
L1	BLACK	AC380V 50/60Hz	Vcc	RED	DC10V
L2	BLACK	AC380V 50/60Hz	Vsp	YELLOW	0-10VDC/PWM
L3	BLACK	AC380V 50/60Hz	GND	BLUE	GND
PE	YELLOW/GREEN	EARTH	FG	WHITE	12 Pulse/R

Dimensions





EC Backward Centrifugal Fans

Material: Sheet aluminium

Type of protection: IP44

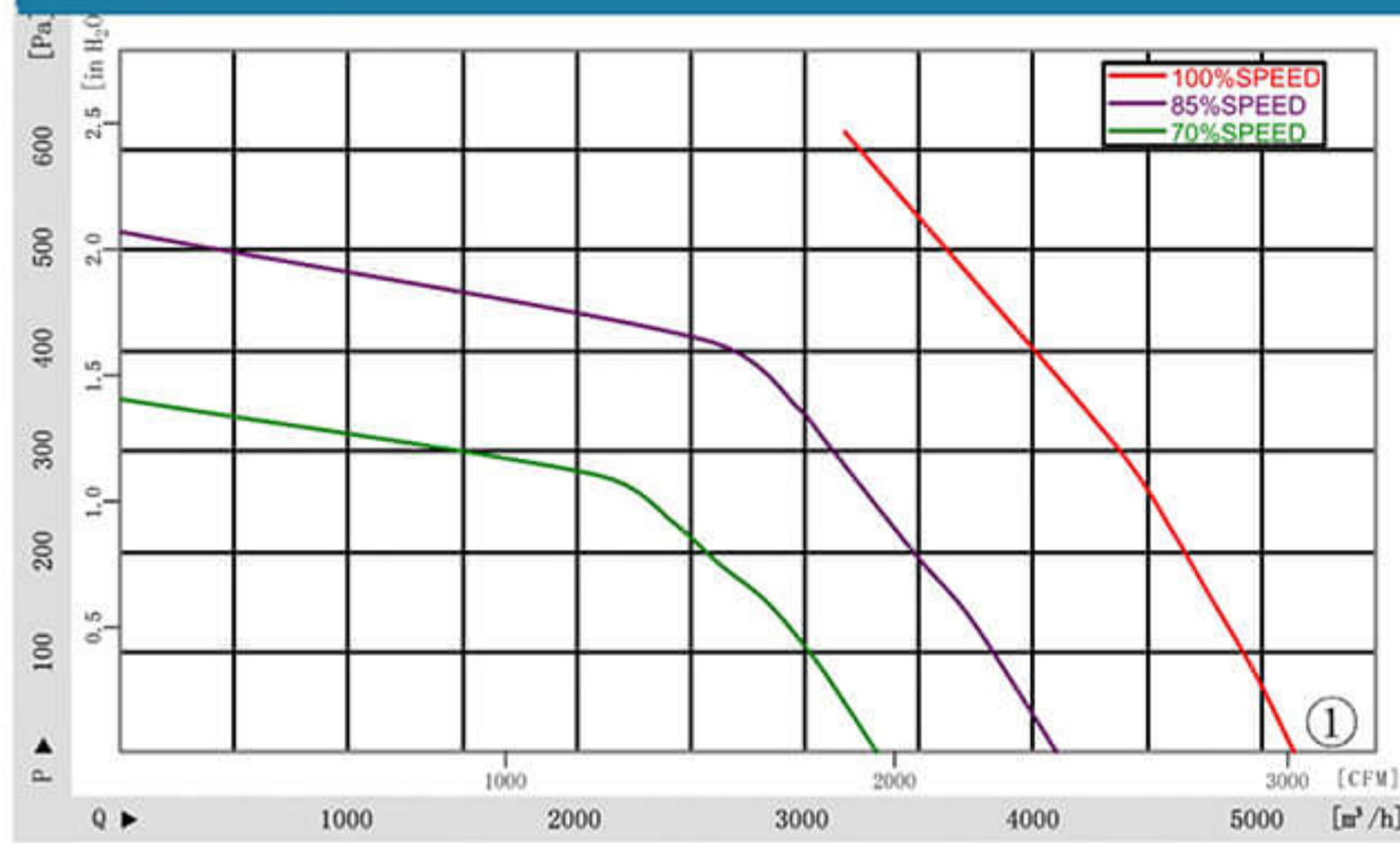
Approvals: CCC CE

Insulation class: F

Specifications

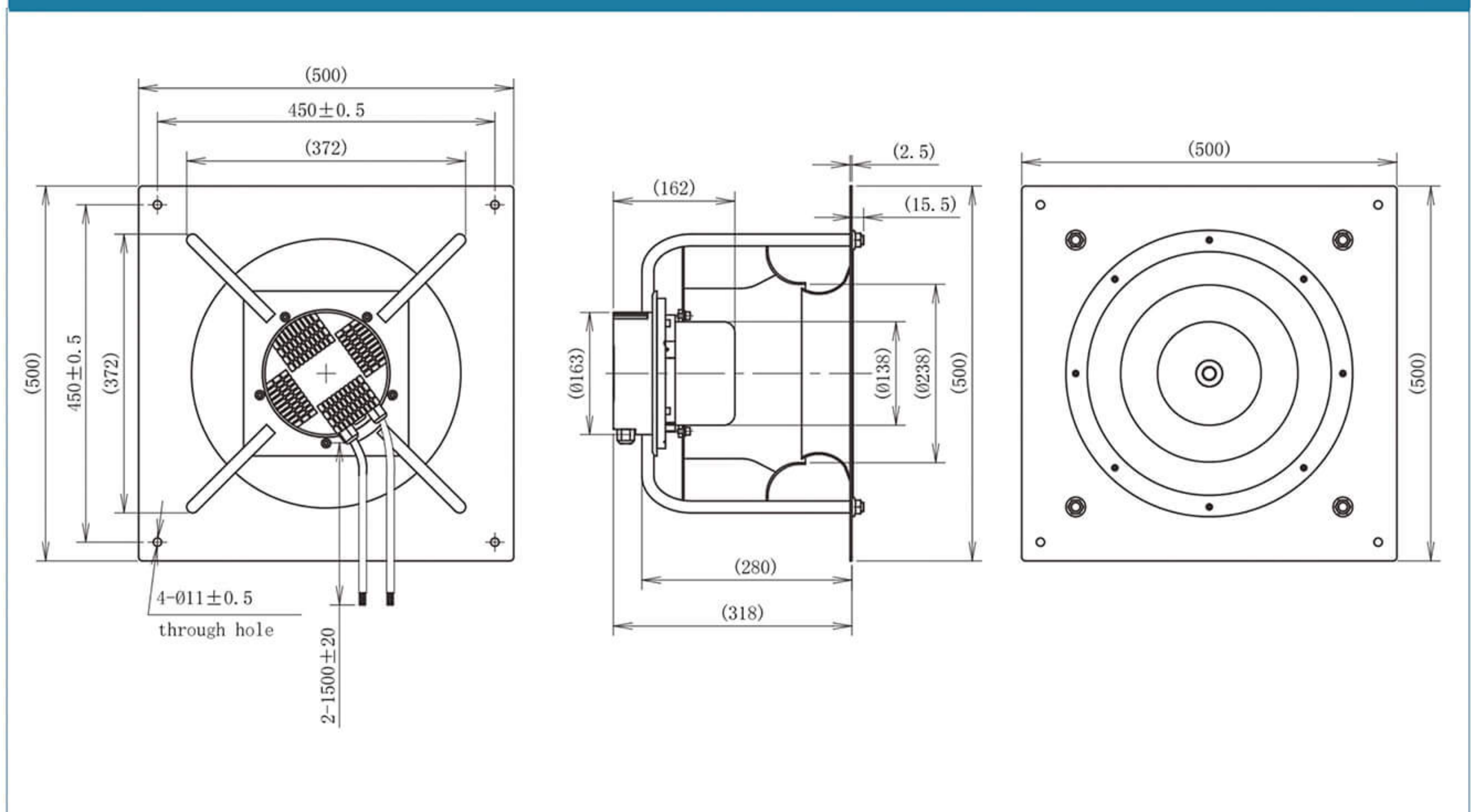
Type	Curve	Nominal voltage	Frequency	Speed	Power input	Current draw	Sound pressure level	Perm. amb. temp.
		[VAC]	[Hz]	[rpm]	[W]	[A]	[dB]	[°C]
BMF355-EC137-010	①	3~380	50/60	2100	990	1.63	79	-25~+60

Curves



SIGNAL	COLOR	SPEC	SIGNAL	COLOR	SPEC
L1	BLACK	AC380V 50/60Hz	Vcc	RED	DC10V
L2	BLACK	AC380V 50/60Hz	Vsp	YELLOW	0-10VDC/PWM
L3	BLACK	AC380V 50/60Hz	GND	BLUE	GND
PE	YELLOW/GREEN	EARTH	FG	WHITE	12 Pulse/R

Dimensions





EC Backward Centrifugal Fans

Material: Sheet aluminium

Type of protection: IP44

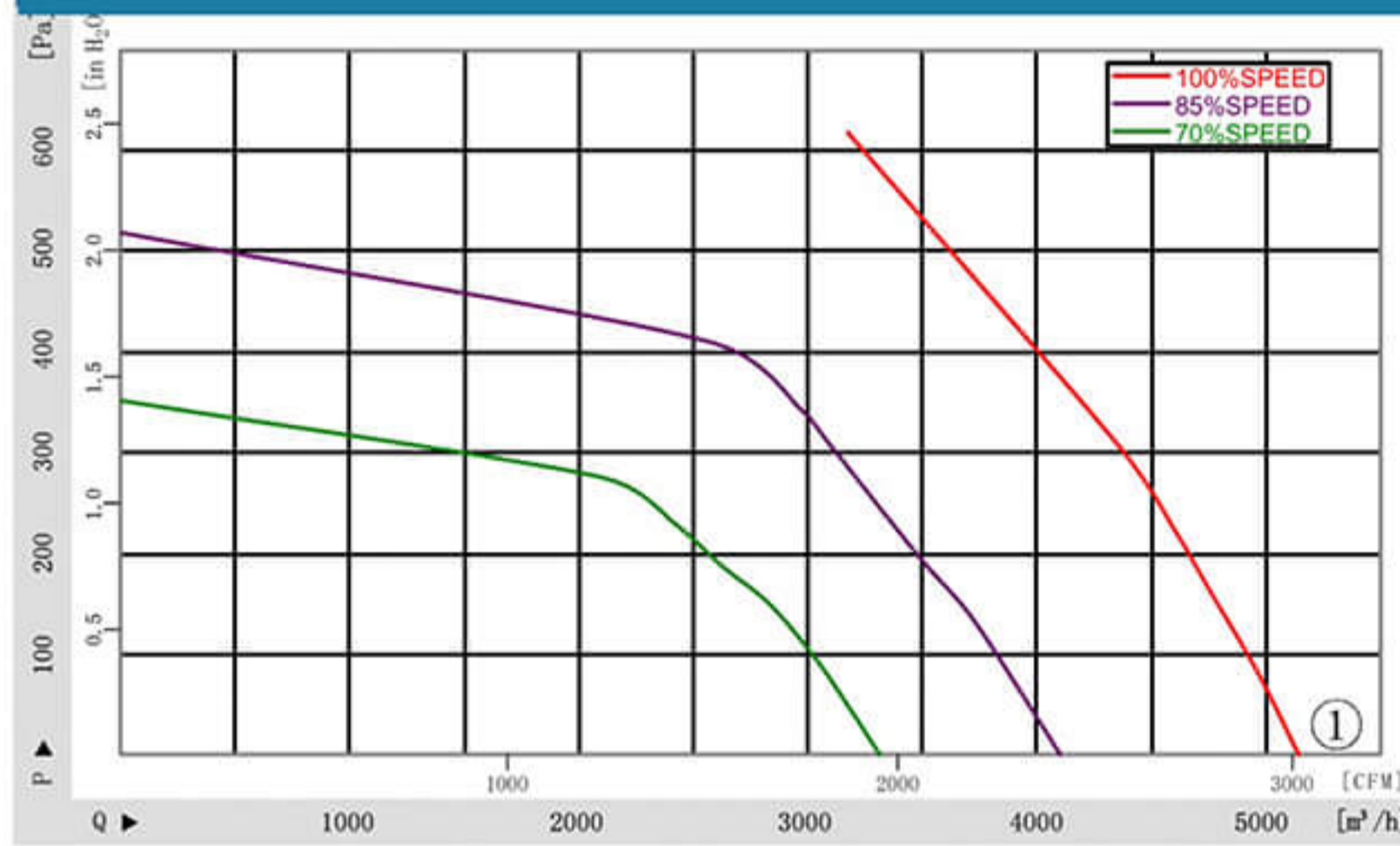
Approvals: CCC CE

Insulation class: F

Specifications

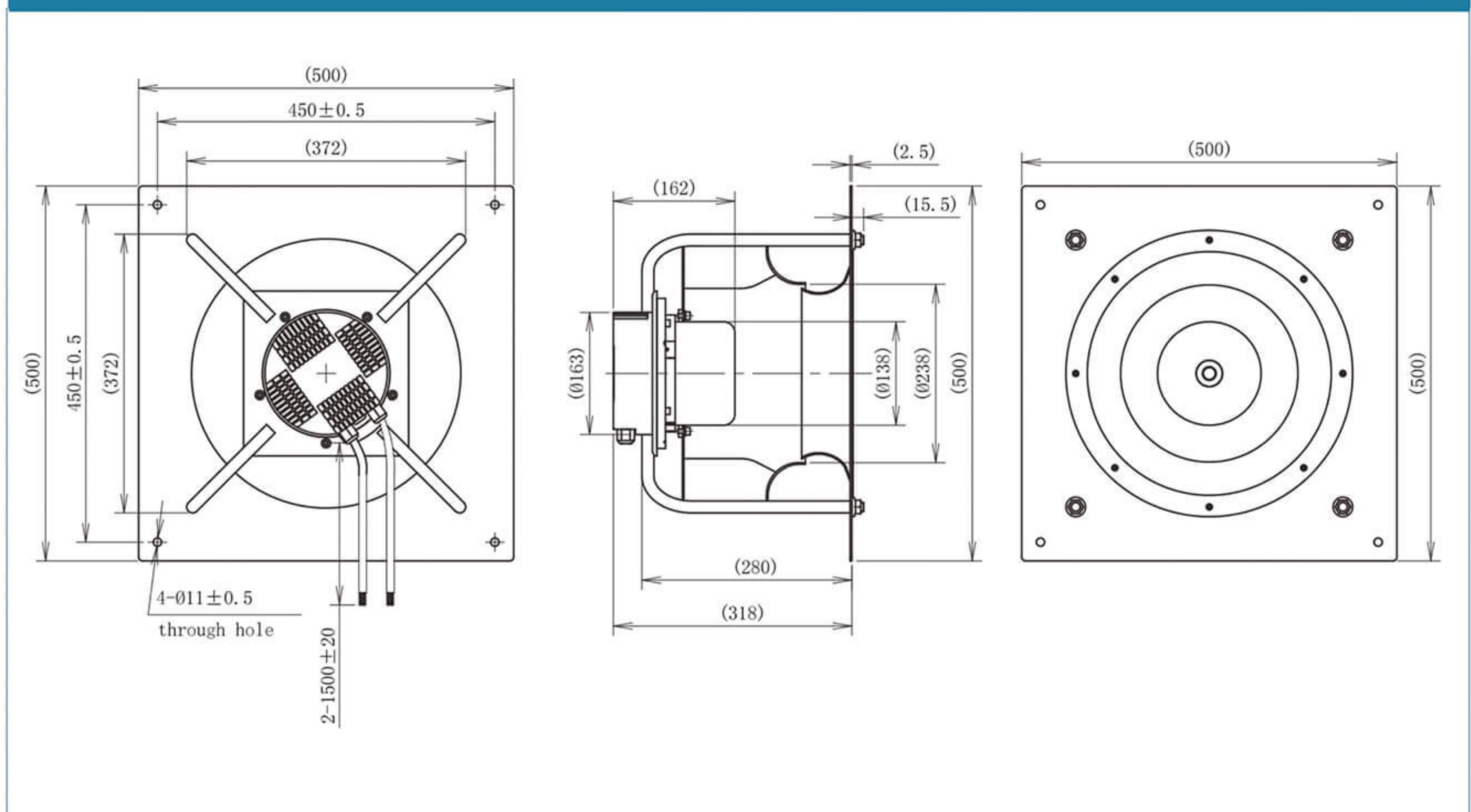
Type	Curve	Nominal voltage	Frequency	Speed	Power input	Current draw	Sound pressure level	Perm. amb. temp.
		[VAC]	[Hz]	[rpm]	[W]	[A]	[dB]	[°C]
BMF355-EC137-010	①	3~380	50/60	2100	990	1.63	79	-25~+60

Curves



SIGNAL	COLOR	SPEC	SIGNAL	COLOR	SPEC
L1	BLACK	AC380V 50/60Hz	Vcc	RED	DC10V
L2	BLACK	AC380V 50/60Hz	Vsp	YELLOW	0-10VDC/PWM
L3	BLACK	AC380V 50/60Hz	GND	BLUE	GND
PE	YELLOW/GREEN	EARTH	FG	WHITE	12 Pulse/R

Dimensions





EC Backward Centrifugal Fans

Material: Sheet aluminium

Type of protection: IP44

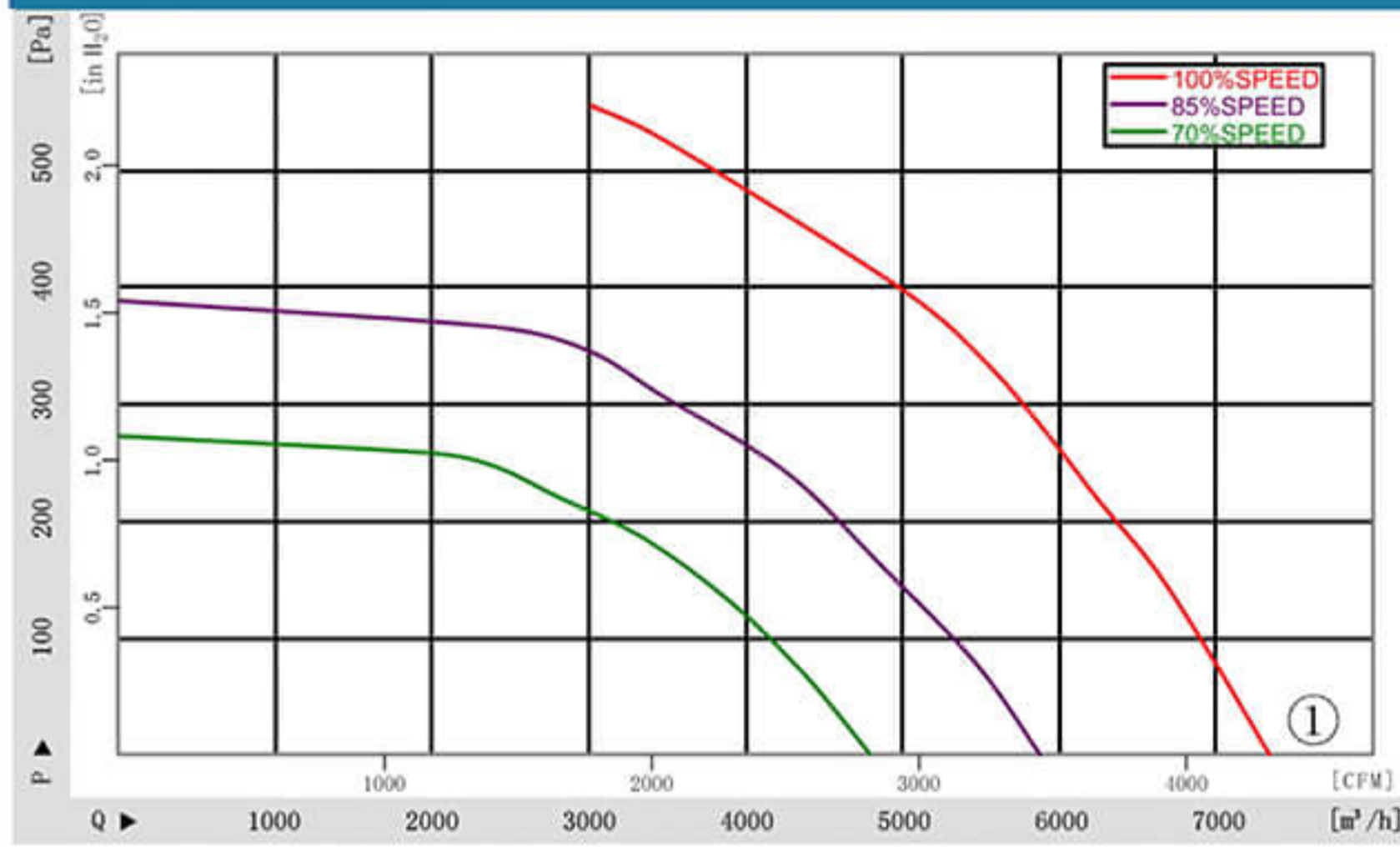
Approvals: CCC CE

Insulation class: F

Specifications

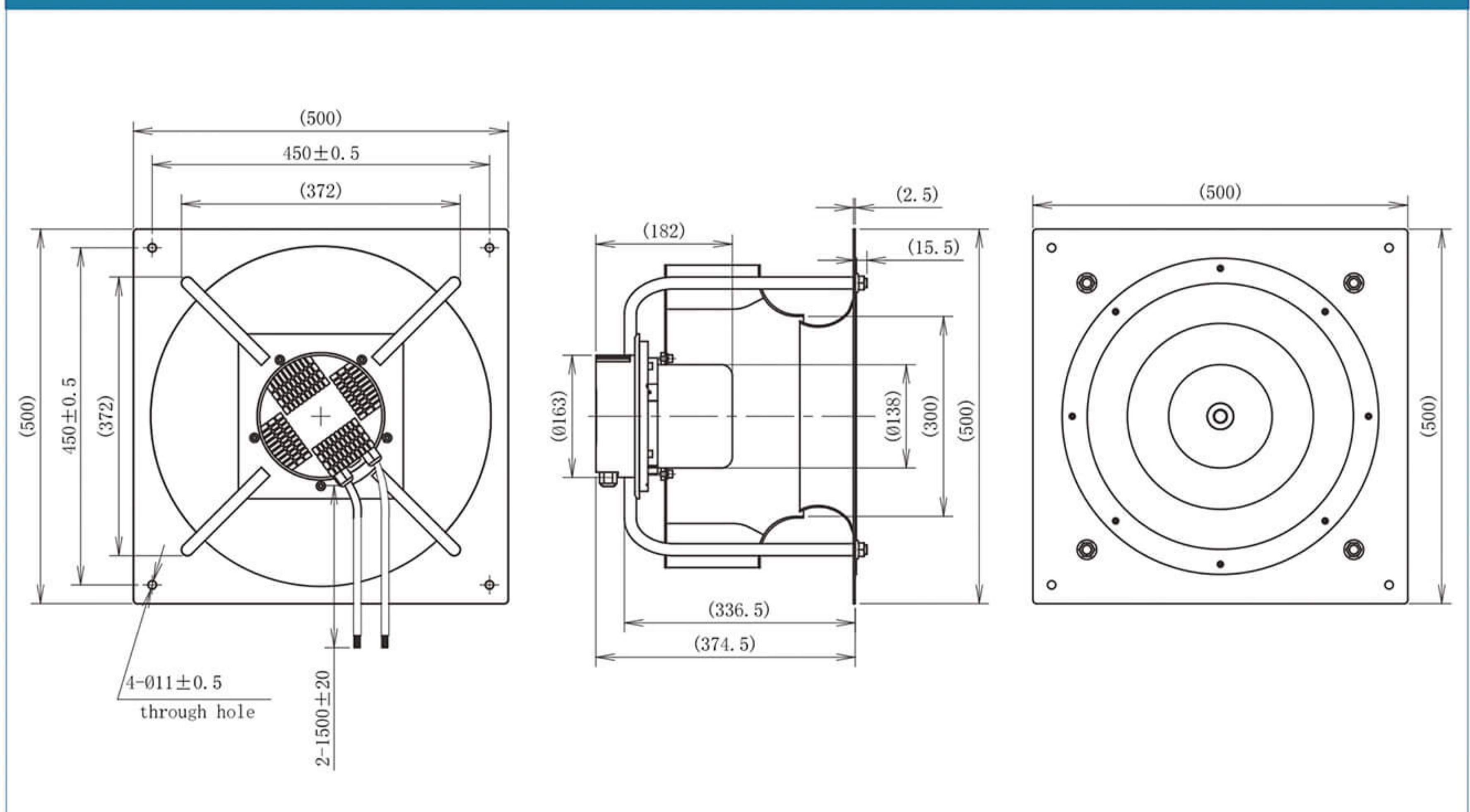
Type	Curve	Nominal voltage	Frequency	Speed	Power input	Current draw	Sound pressure level	Perm. amb. temp.
		[VAC]	[Hz]	[rpm]	[W]	[A]	[dB]	[°C]
BMF450-EC137-010	①	3~380	50/60	1450	1006	1.67	73	-25~+60

Curves



SIGNAL	COLOR	SPEC	SIGNAL	COLOR	SPEC
L1	BLACK	AC380V 50/60Hz	Vcc	RED	DC10V
L2	BLACK	AC380V 50/60Hz	Vsp	YELLOW	0-10VDC/PWM
L3	BLACK	AC380V 50/60Hz	GND	BLUE	GND
PE	YELLOW/GREEN	EARTH	FG	WHITE	12 Pulse/R

Dimensions





EC Backward Centrifugal Fans

Material: Sheet aluminium

Type of protection: IP44

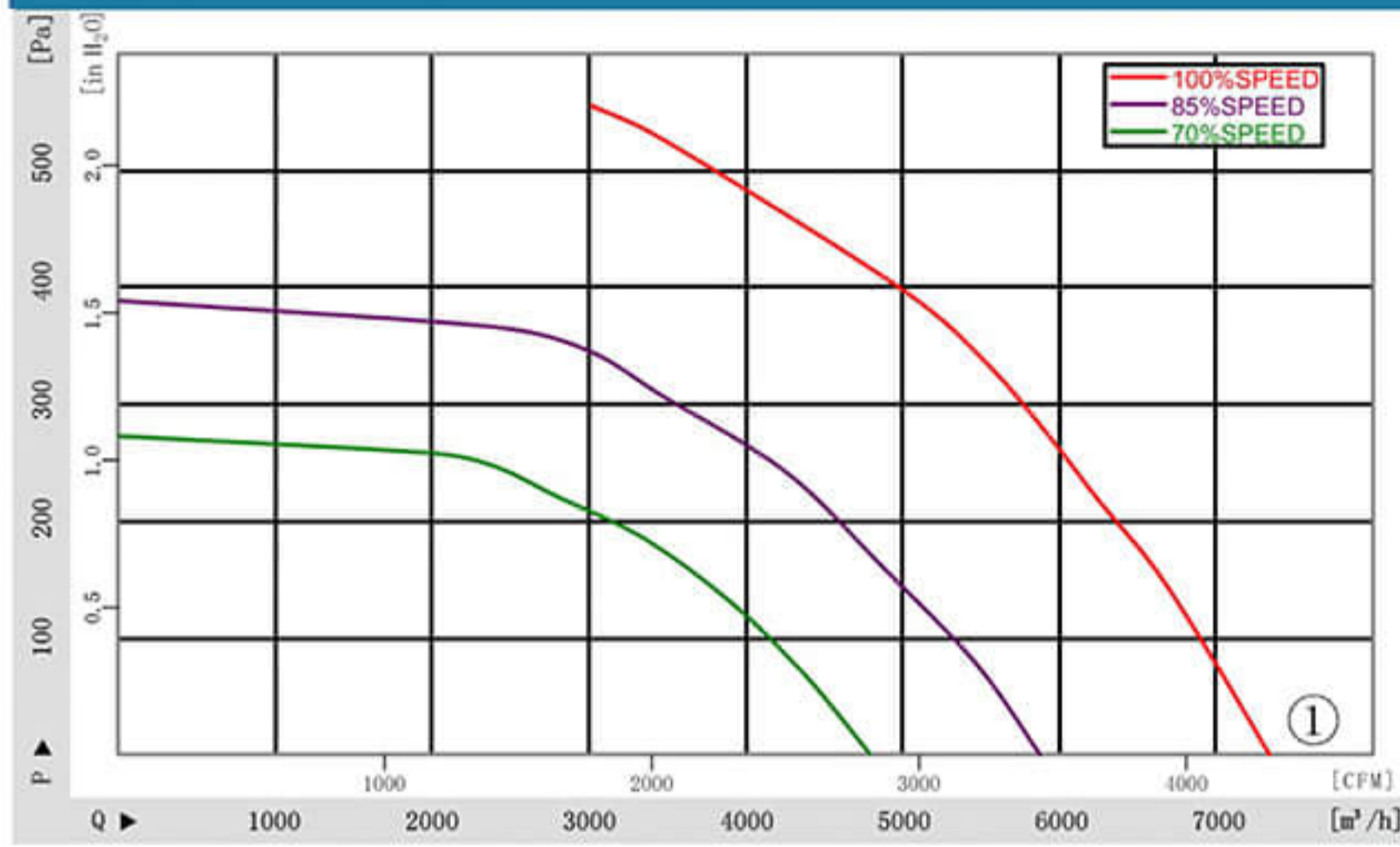
Approvals: CCC CE

Insulation class: F

Specifications

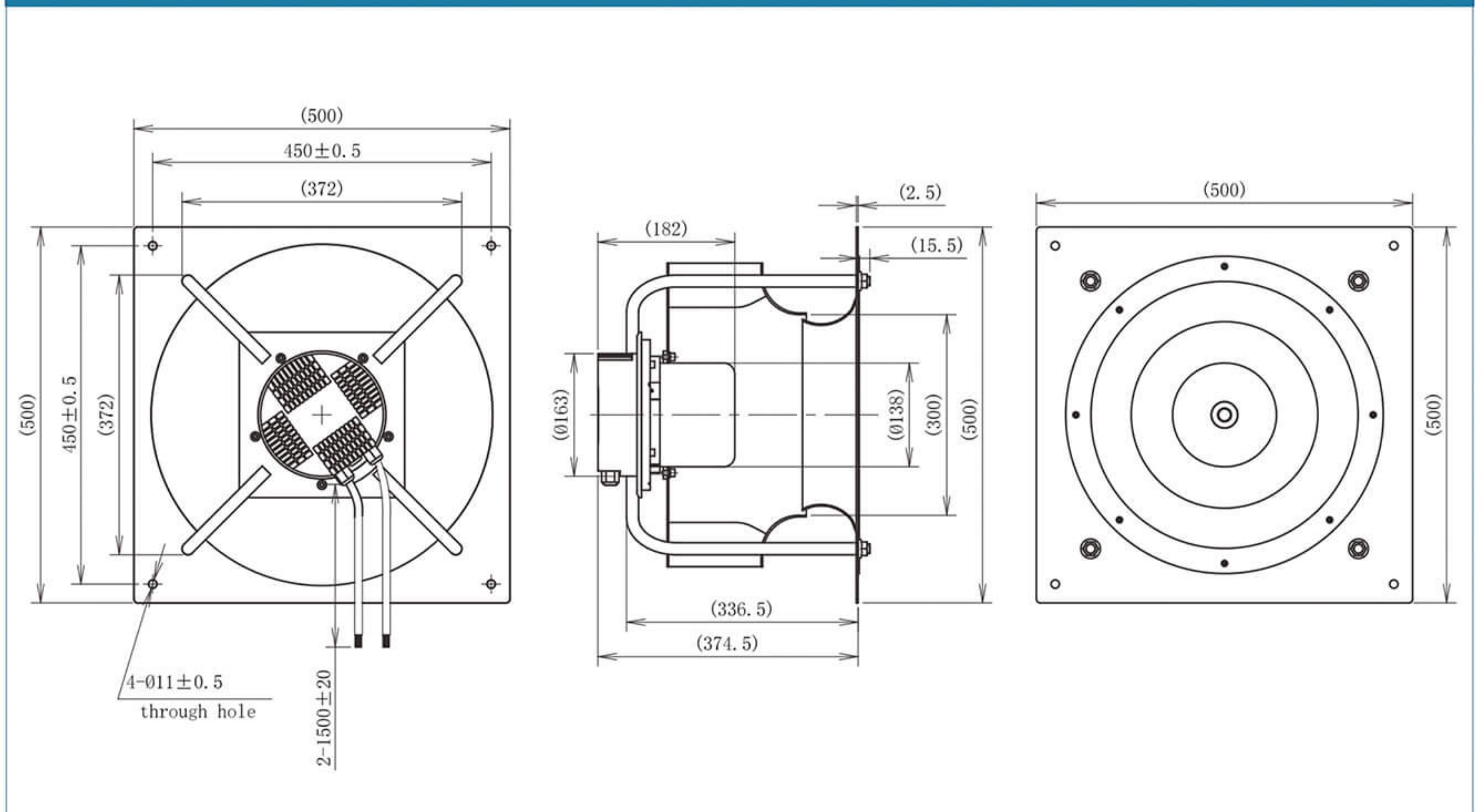
Type	Curve	Nominal voltage	Frequency	Speed	Power input	Current draw	Sound pressure level	Perm. amb. temp.
		[VAC]	[Hz]	[rpm]	[W]	[A]	[dB]	[°C]
BMF450-EC137-010	①	3~380	50/60	1450	1006	1.67	73	-25~+60

Curves



SIGNAL	COLOR	SPEC	SIGNAL	COLOR	SPEC
L1	BLACK	AC380V 50/60Hz	Vcc	RED	DC10V
L2	BLACK	AC380V 50/60Hz	Vsp	YELLOW	0-10VDC/PWM
L3	BLACK	AC380V 50/60Hz	GND	BLUE	GND
PE	YELLOW/GREEN	EARTH	FG	WHITE	12 Pulse/R

Dimensions





EC Backward Centrifugal Fans

Material: Sheet aluminium

Type of protection: IP44

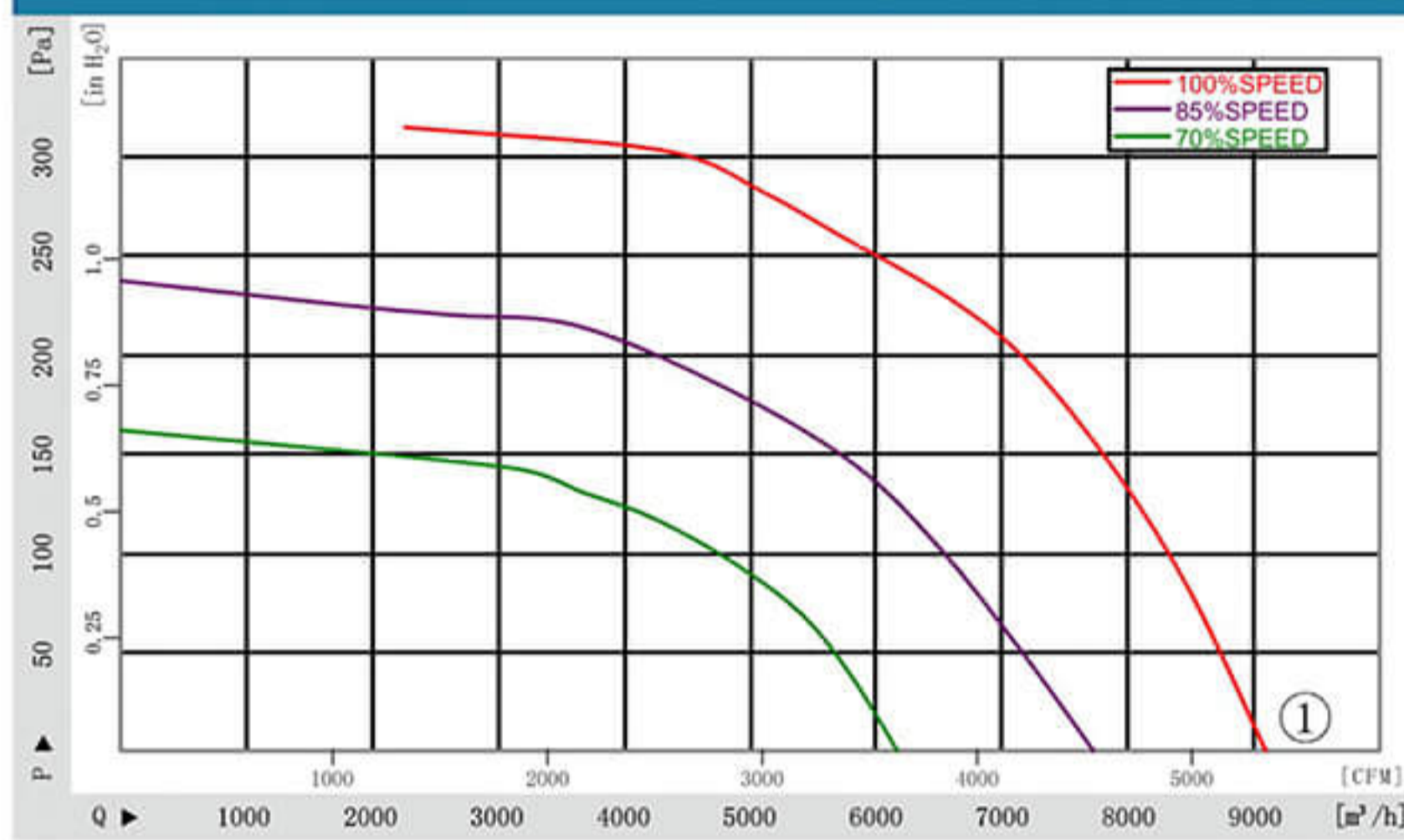
Approvals: CCC CE

Insulation class: F

Specifications

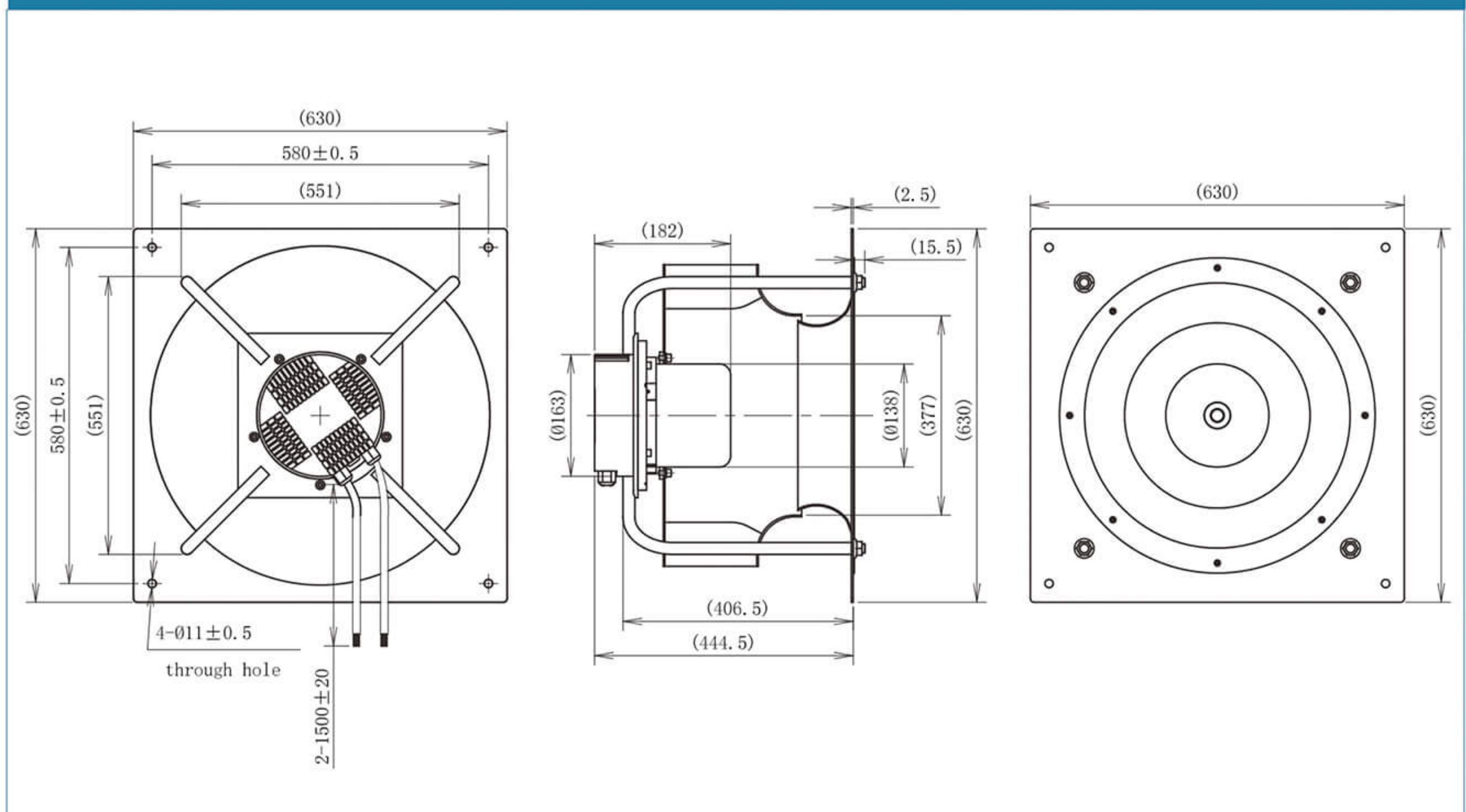
Type	Curve	Nominal voltage	Frequency	Speed	Power input	Current draw	Sound pressure level	Perm. amb. temp.
		[VAC]	[Hz]	[rpm]	[W]	[A]	[dB]	[°C]
BMF560-EC137-010	①	3~380	50/60	850	770	1.3	69	-25~+60

Curves



SIGNAL	COLOR	SPEC	SIGNAL	COLOR	SPEC
L1	BLACK	AC380V 50/60Hz	Vcc	RED	DC10V
L2	BLACK	AC380V 50/60Hz	Vsp	YELLOW	0-10VDC/PWM
L3	BLACK	AC380V 50/60Hz	GND	BLUE	GND
PE	YELLOW/GREEN	EARTH	FG	WHITE	12 Pulse/R

Dimensions





EC Backward Centrifugal Fans

Material: Sheet aluminium

Type of protection: IP44

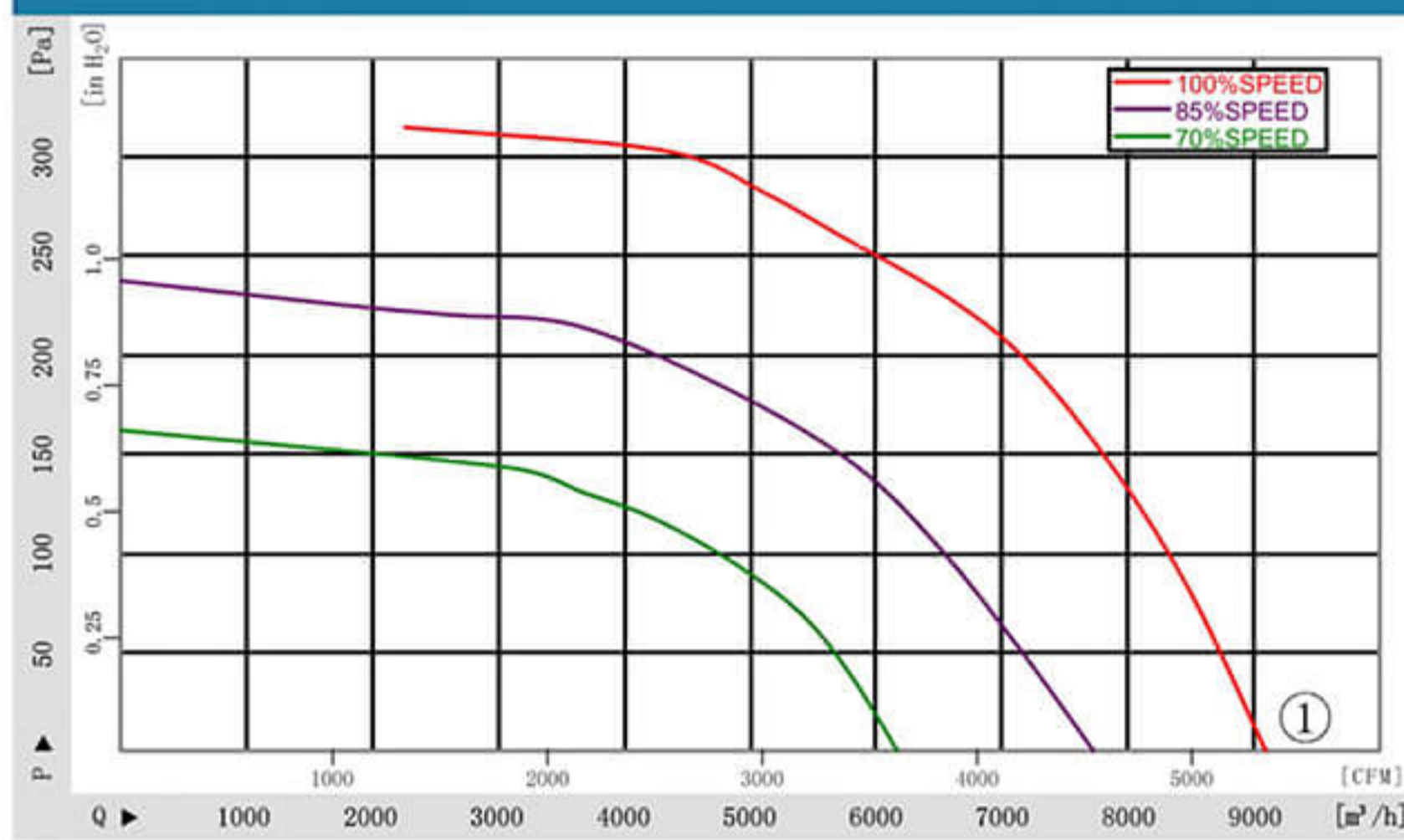
Approvals: CCC CE

Insulation class: F

Specifications

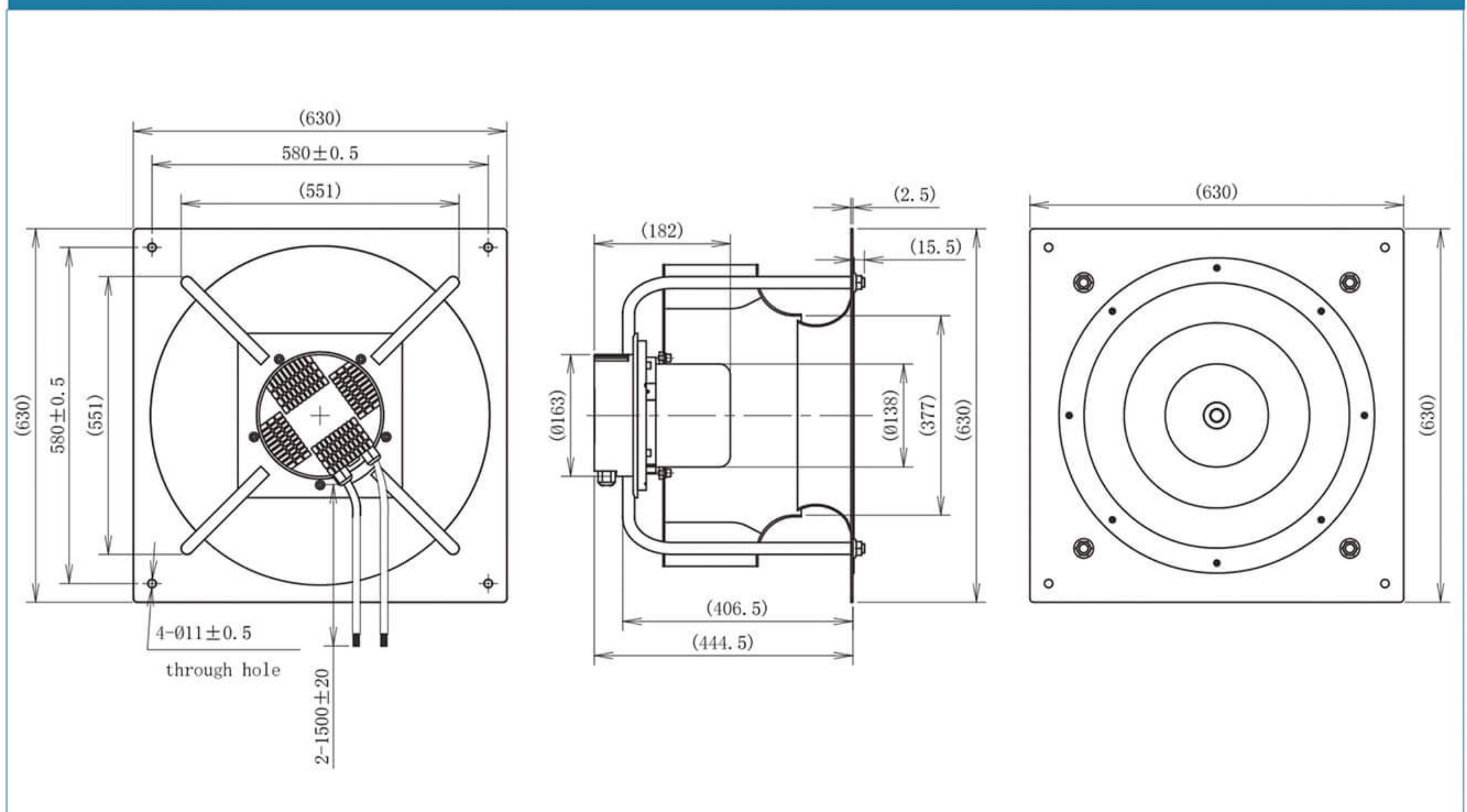
Type	Curve	Nominal voltage	Frequency	Speed	Power input	Current draw	Sound pressure level	Perm. amb. temp.
		[VAC]	[Hz]	[rpm]	[W]	[A]	[dB]	[°C]
BMF560-EC137-010	①	3~380	50/60	850	770	1.3	69	-25~+60

Curves



SIGNAL	COLOR	SPEC	SIGNAL	COLOR	SPEC
L1	BLACK	AC380V 50/60Hz	Vcc	RED	DC10V
L2	BLACK	AC380V 50/60Hz	Vsp	YELLOW	0-10VDC/PWM
L3	BLACK	AC380V 50/60Hz	GND	BLUE	GND
PE	YELLOW/GREEN	EARTH	FG	WHITE	12 Pulse/R

Dimensions





EC Backward Centrifugal Fans

Material: Sheet aluminium

Type of protection: IP44

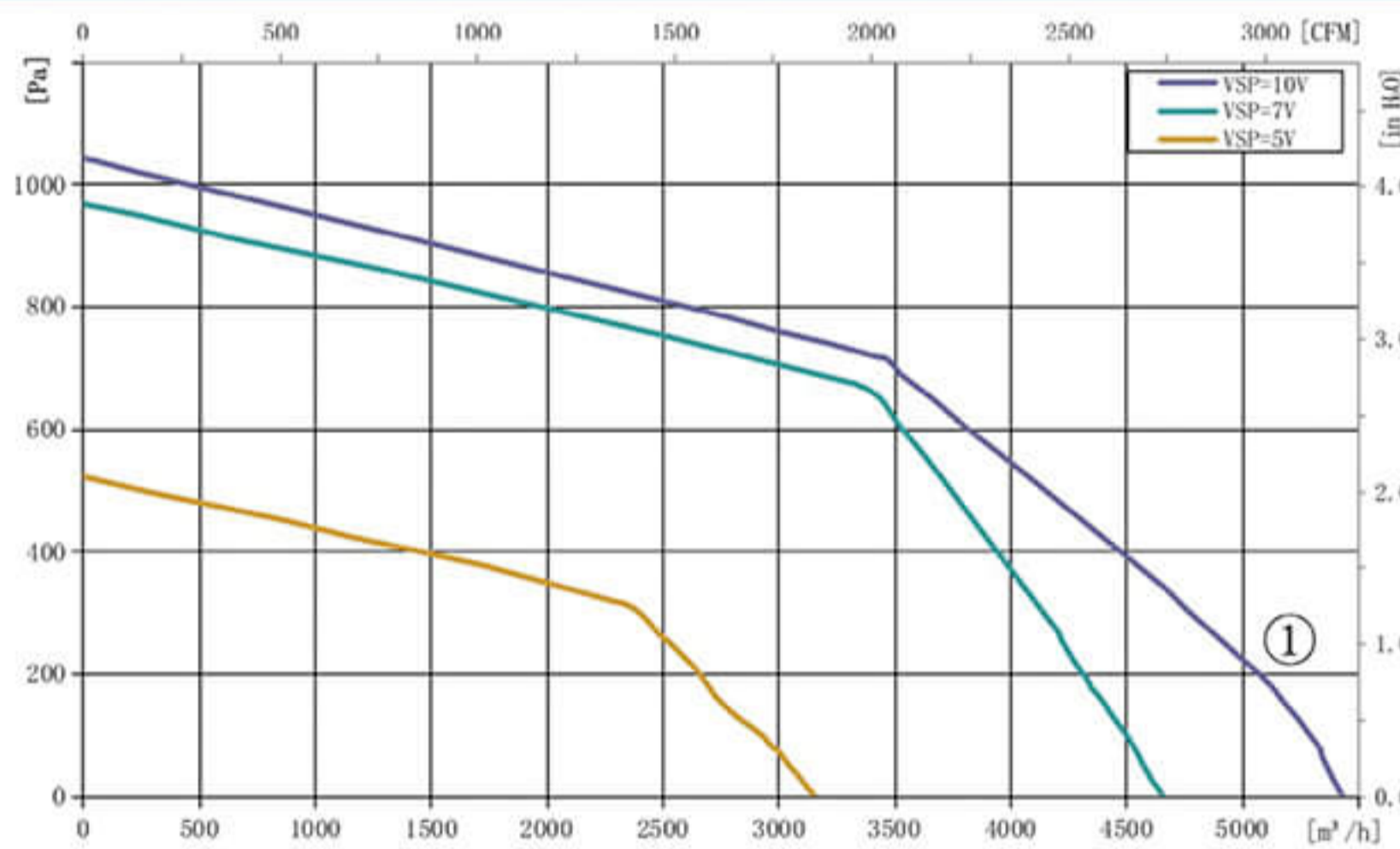
Approvals: CCC CE

Insulation class: F

Specifications

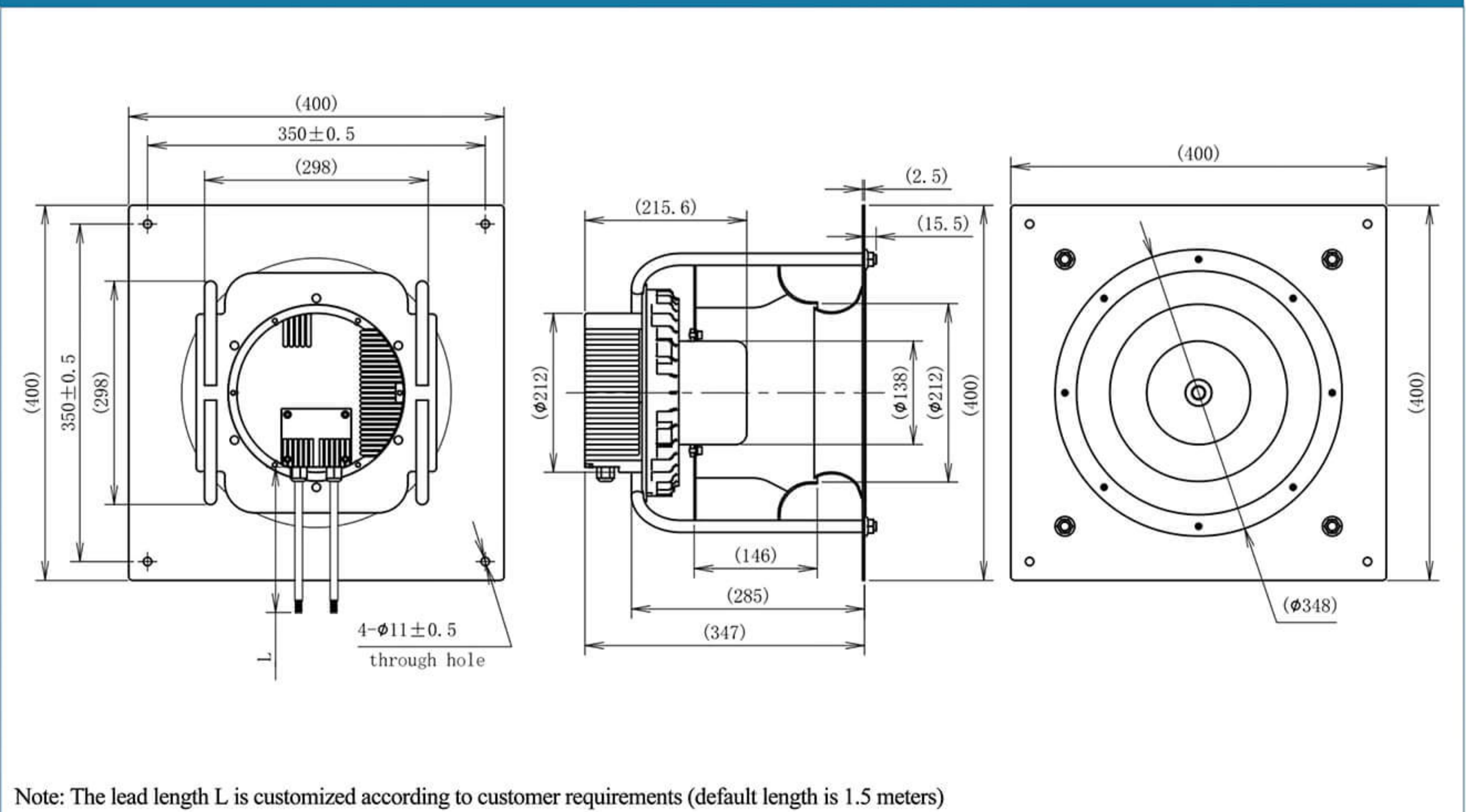
Type	Curve	Nominal voltage	Frequency	Speed	Power input	Current draw	Sound pressure level	Perm. amb. temp.
		[VAC]	[Hz]	[rpm]	[W]	[A]	[dB]	[°C]
BMF310-EC137-901	①	3~380	50/60	3300	1400	2.4	92	-25~+60

Curves



SIGNAL	COLOR	SPEC	SIGNAL	COLOR	SPEC
L1	BROWN	AC380V 50/60Hz	Vcc	RED	DC10V
L2	BLACK	AC380V 50/60Hz	Vsp	YELLOW	0-10VDC/PWM
L3	BLUE	AC380V 50/60Hz	GND	BLUE	GND
PE	YELLOW/GREEN	EARTH	FG	WHITE	12 Pulse/R

Dimensions





EC Backward Centrifugal Fans

Material: Sheet aluminium

Type of protection: IP44

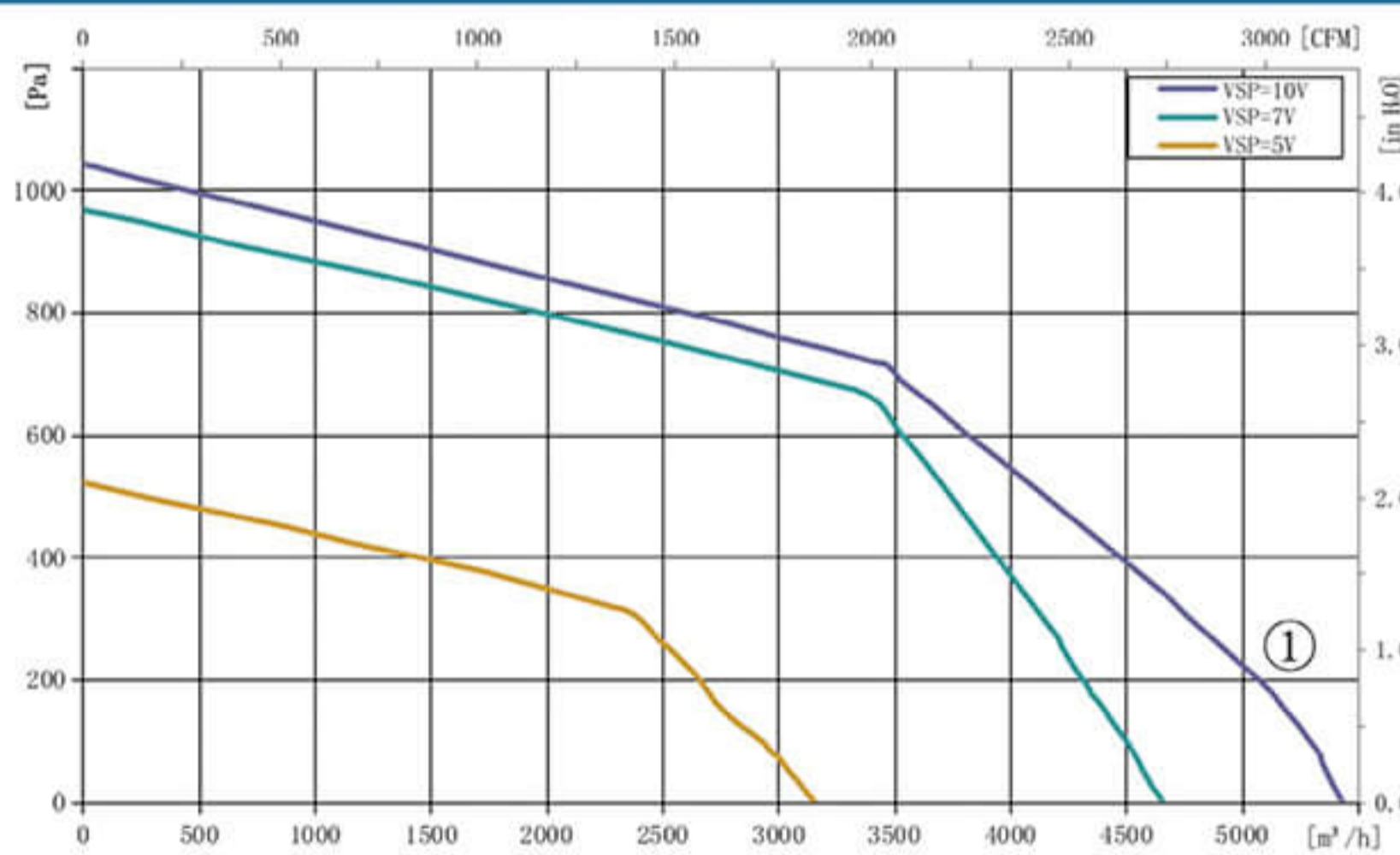
Approvals: CCC CE

Insulation class: F

Specifications

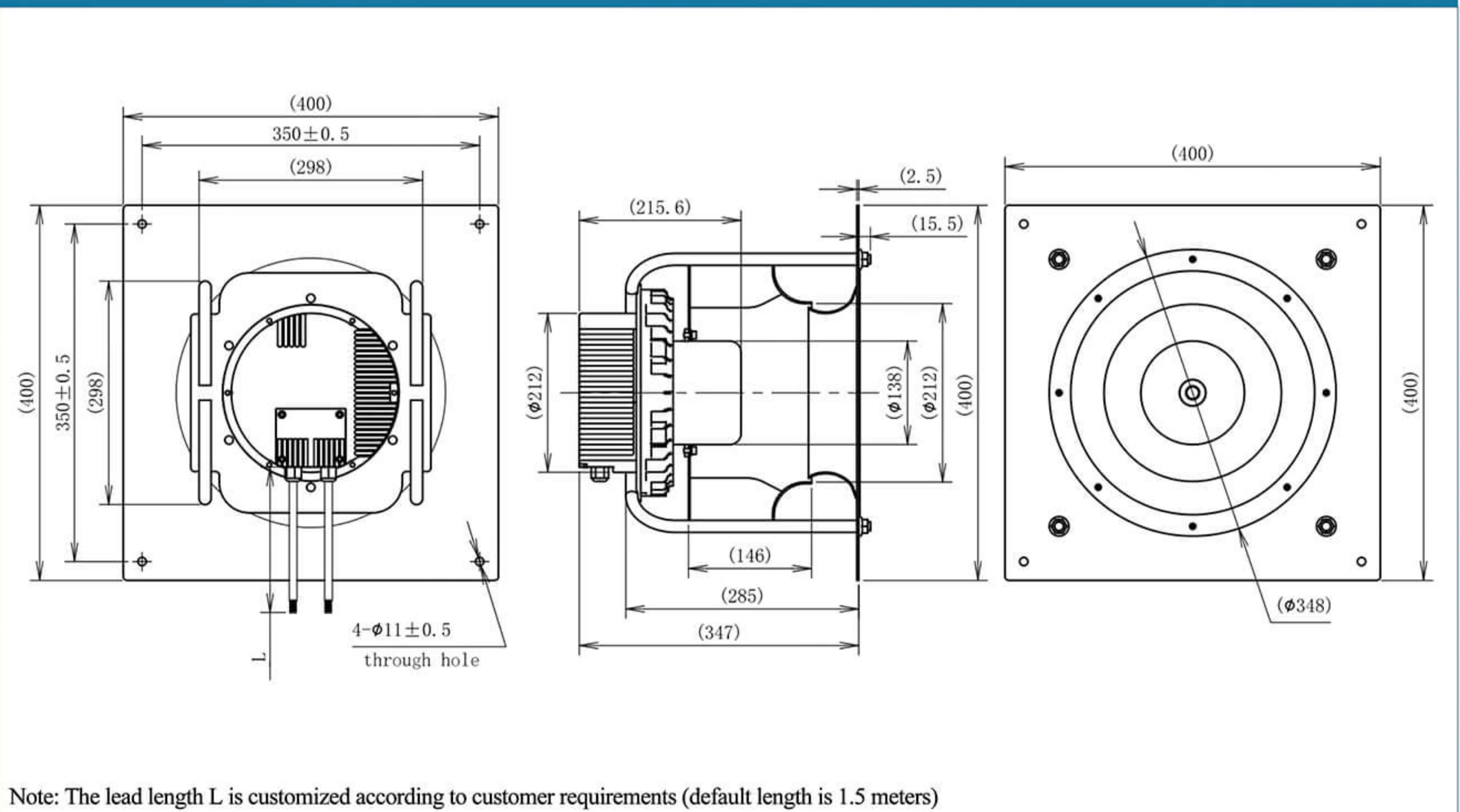
Type	Curve	Nominal voltage	Frequency	Speed	Power input	Current draw	Sound pressure level	Perm. amb. temp.
		[VAC]	[Hz]	[rpm]	[W]	[A]	[dB]	[°C]
BMF310-EC137-901	①	3~380	50/60	3300	1400	2.4	92	-25~+60

Curves



SIGNAL	COLOR	SPEC	SIGNAL	COLOR	SPEC
L1	BROWN	AC380V 50/60Hz	Vcc	RED	DC10V
L2	BLACK	AC380V 50/60Hz	Vsp	YELLOW	0-10VDC/PWM
L3	BLUE	AC380V 50/60Hz	GND	BLUE	GND
PE	YELLOW/GREEN	EARTH	FG	WHITE	12 Pulse/R

Dimensions





EC Backward Centrifugal Fans

Material: Sheet aluminium

Type of protection: IP44

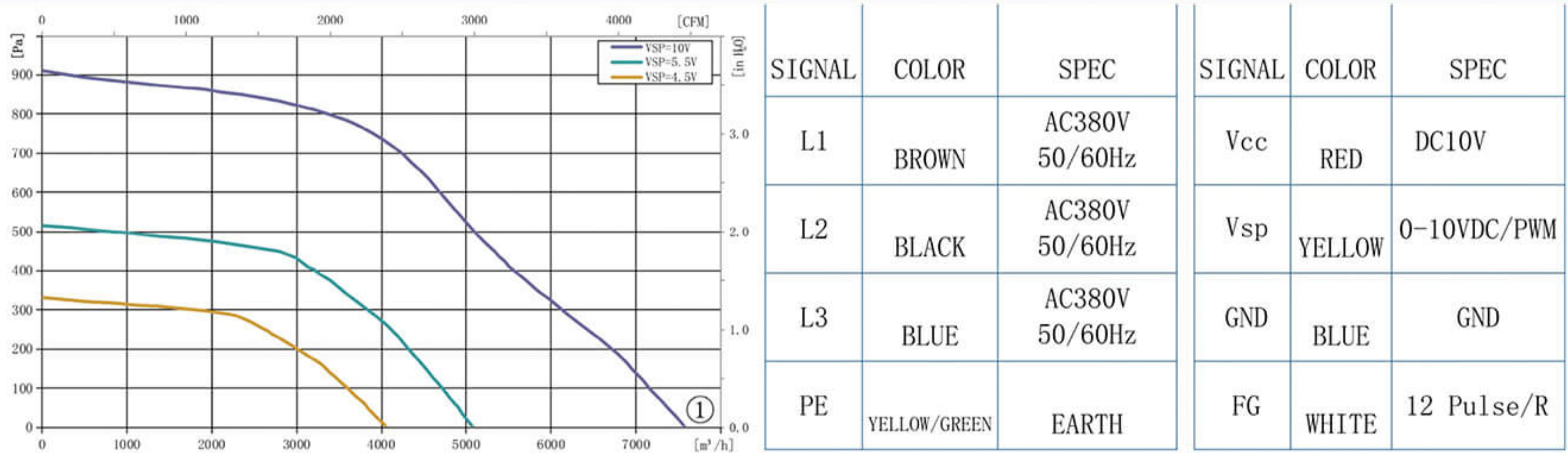
Approvals: CCC CE

Insulation class: F

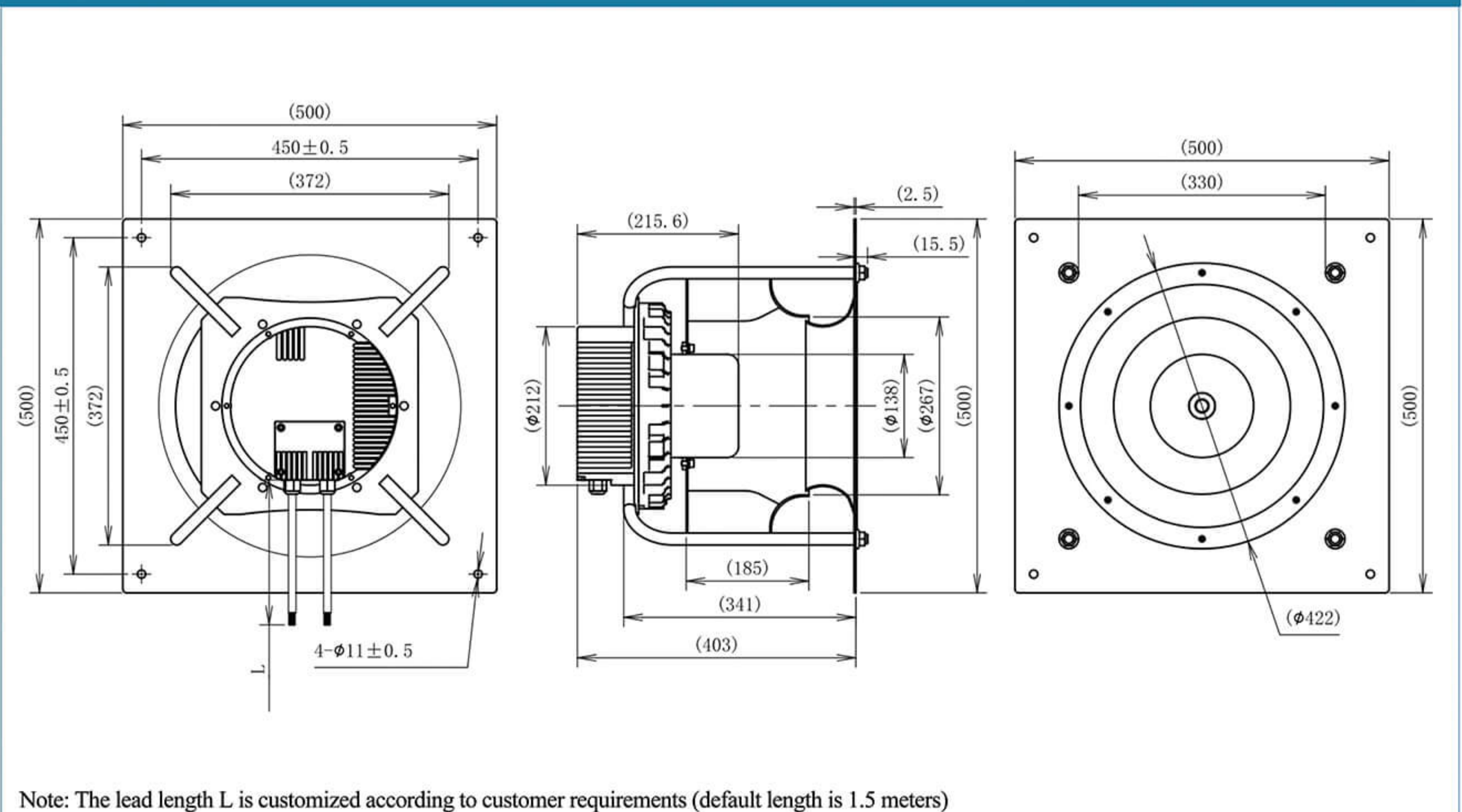
Specifications

Type	Curve	Nominal voltage	Frequency	Speed	Power input	Current draw	Sound pressure level	Perm. amb. temp.
		[VAC]	[Hz]	[rpm]	[W]	[A]	[dB]	[°C]
BMF400-EC137-901	①	3~380	50/60	2250	1700	2.9	87	-25~+60

Curves



Dimensions





EC Backward Centrifugal Fans

Material: Sheet aluminium

Type of protection: IP44

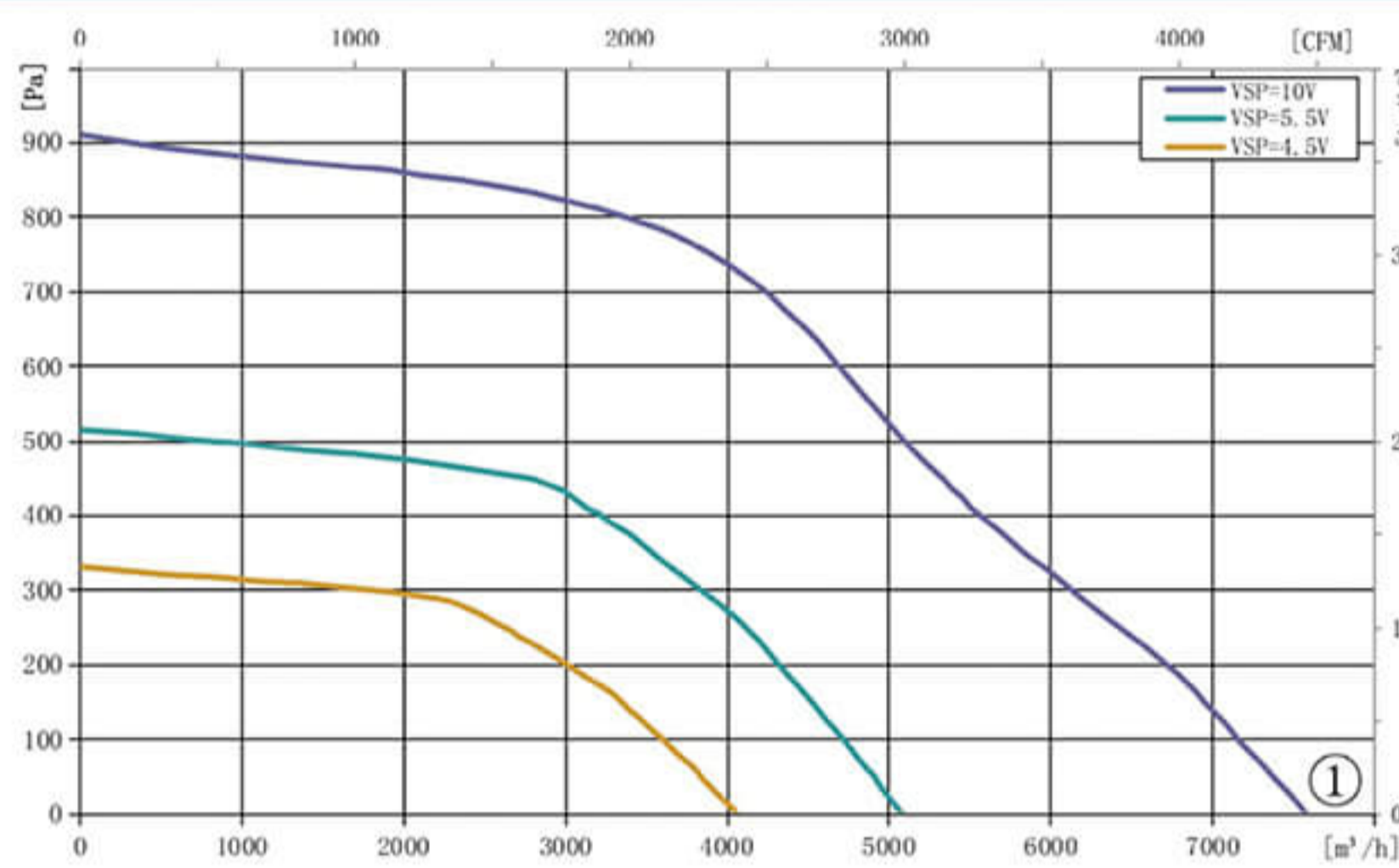
Approvals: CCC CE

Insulation class: F

Specifications

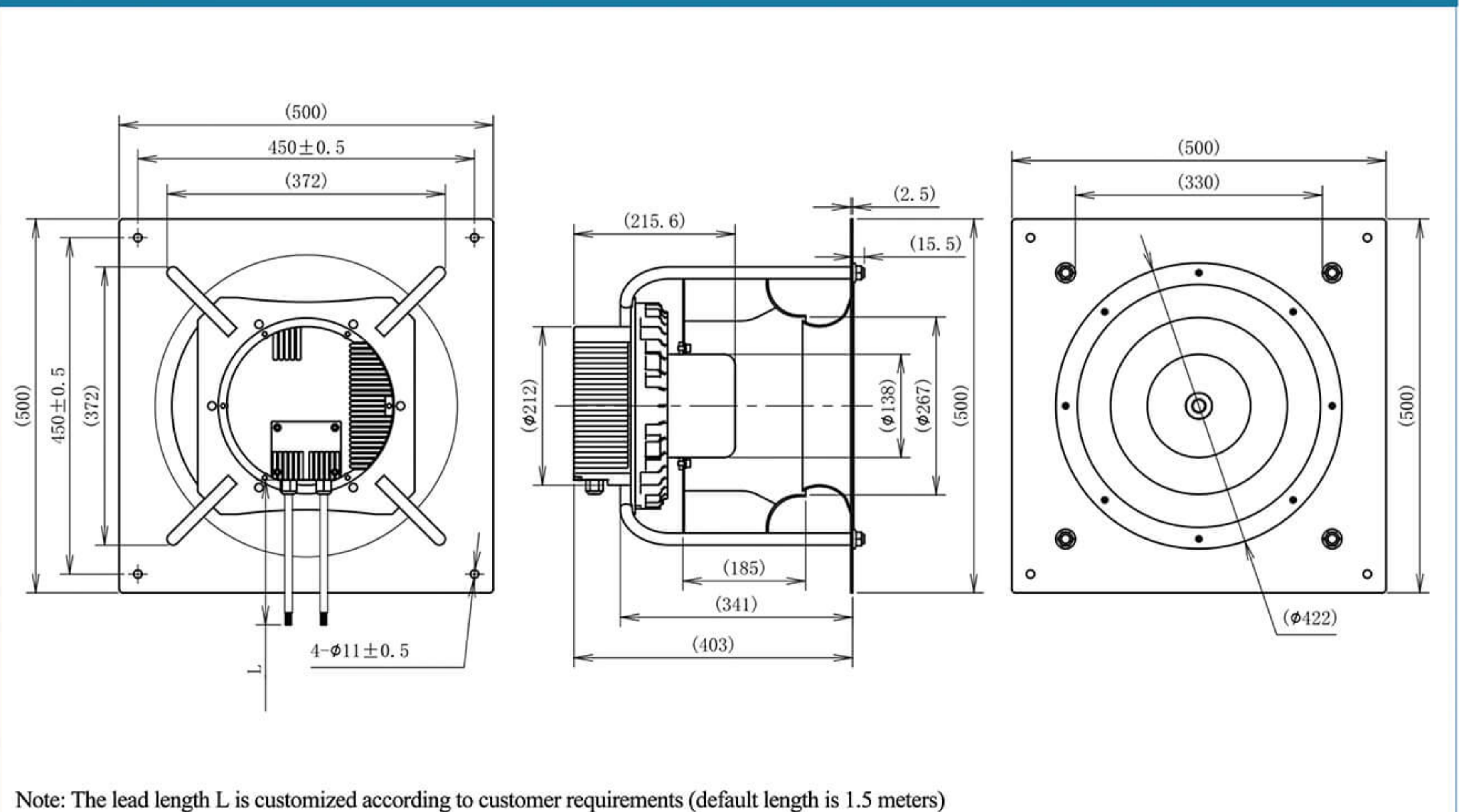
Type	Curve	Nominal voltage	Frequency	Speed	Power input	Current draw	Sound pressure level	Perm. amb. temp.
		[VAC]	[Hz]	[rpm]	[W]	[A]	[dB]	[°C]
BMF400-EC137-901	①	3~380	50/60	2250	1700	2.9	87	-25~+60

Curves



SIGNAL	COLOR	SPEC	SIGNAL	COLOR	SPEC
L1	BROWN	AC380V 50/60Hz	Vcc	RED	DC10V
L2	BLACK	AC380V 50/60Hz	Vsp	YELLOW	0-10VDC/PWM
L3	BLUE	AC380V 50/60Hz	GND	BLUE	GND
PE	YELLOW/GREEN	EARTH	FG	WHITE	12 Pulse/R

Dimensions





EC Backward Centrifugal Fans

Material: Sheet aluminium

Type of protection: IP44

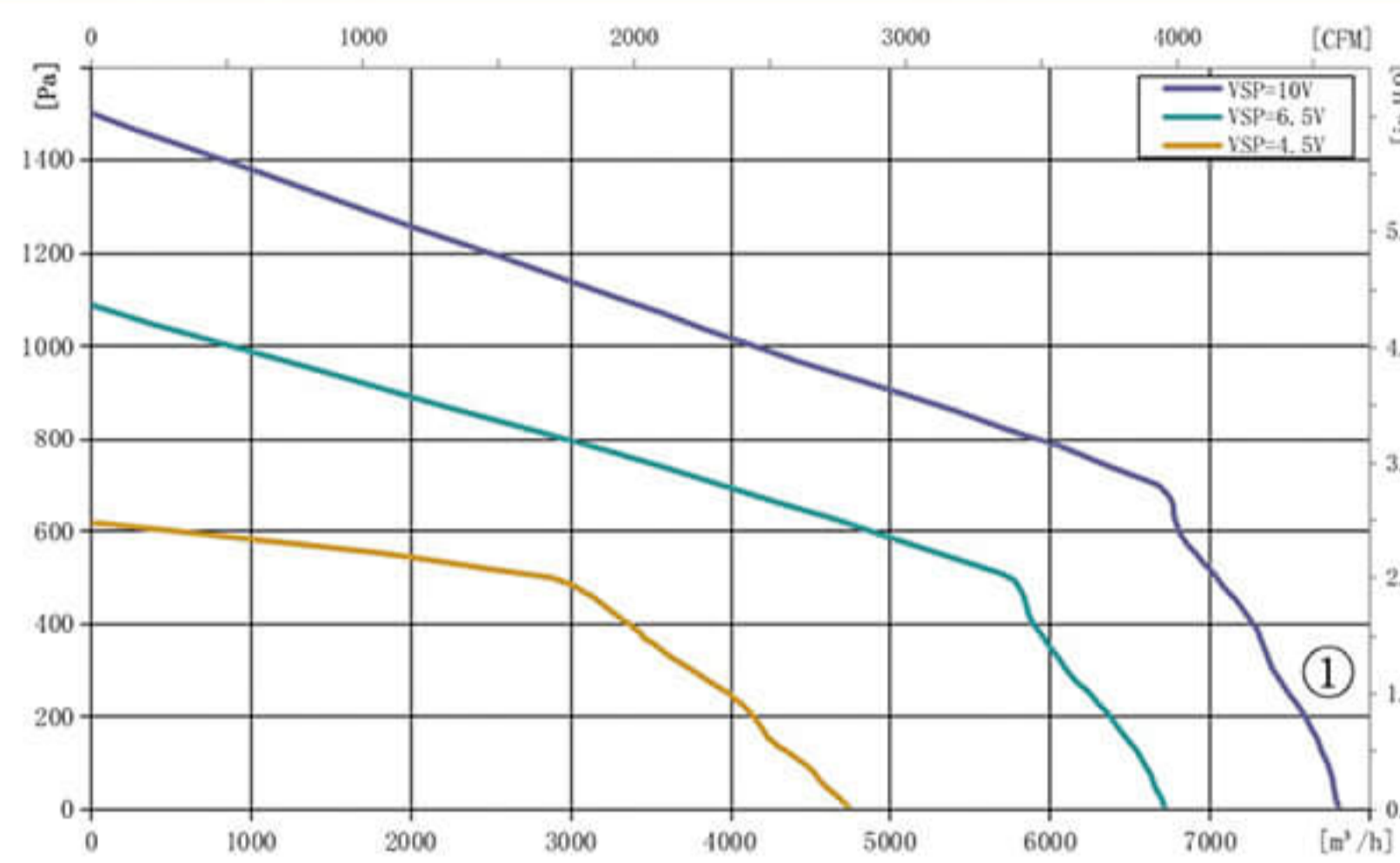
Approvals: CCC CE

Insulation class: F

Specifications

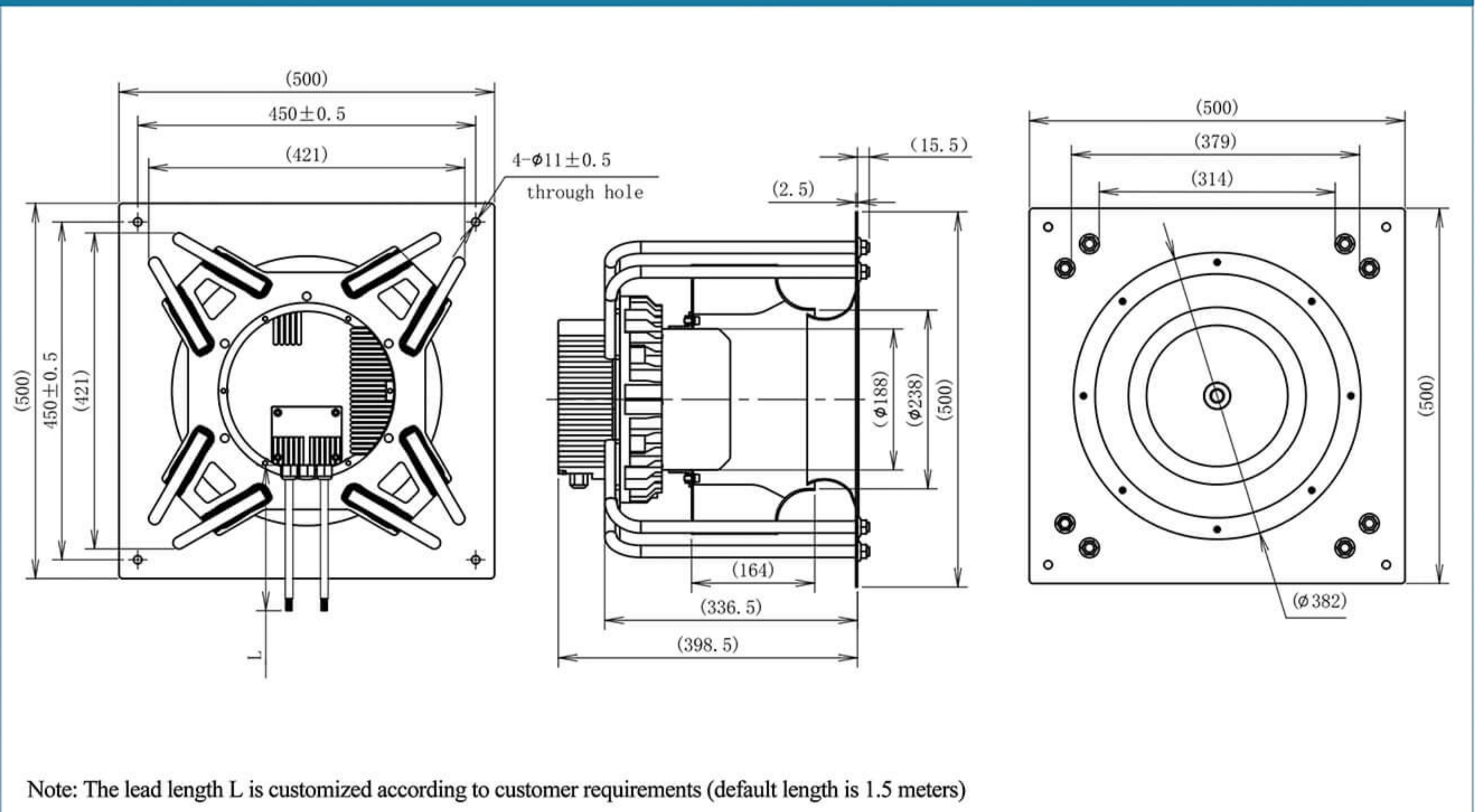
Type	Curve	Nominal voltage	Frequency	Speed	Power input	Current draw	Sound pressure level	Perm. amb. temp.
		[VAC]	[Hz]	[rpm]	[W]	[A]	[dB]	[°C]
BMF355-EC188-010	①	3~380	50/60	3200	2500	4.2	96	-25~+60

Curves



SIGNAL	COLOR	SPEC	SIGNAL	COLOR	SPEC
L1	BROWN	AC380V 50/60Hz	Vcc	RED	DC10V
L2	BLACK	AC380V 50/60Hz	Vsp	YELLOW	0-10VDC/PWM
L3	BLUE	AC380V 50/60Hz	GND	BLUE	GND
PE	YELLOW/GREEN	EARTH	FG	WHITE	12 Pulse/R

Dimensions





EC Backward Centrifugal Fans

Material: Sheet aluminium

Type of protection: IP44

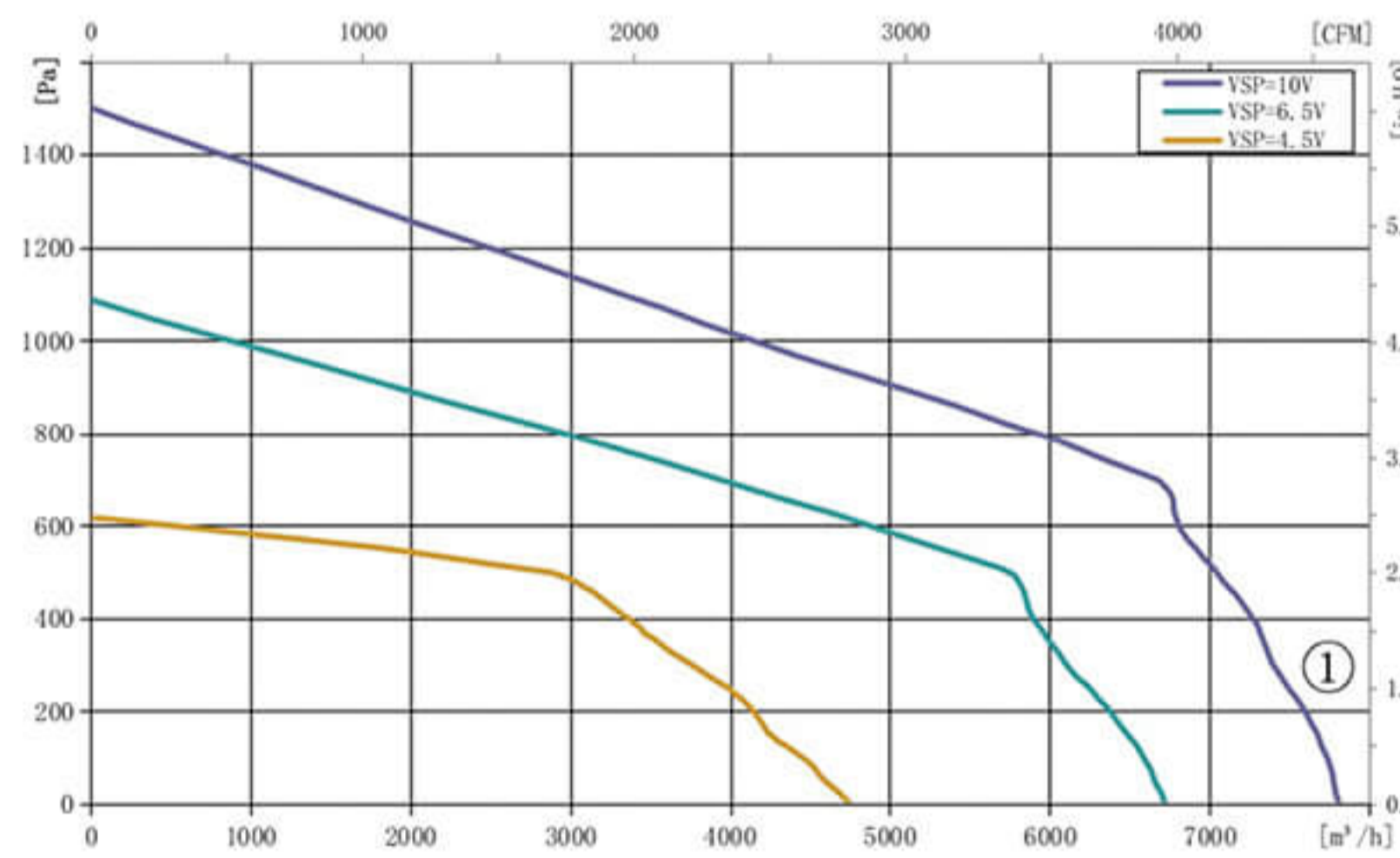
Approvals: CCC CE

Insulation class: F

Specifications

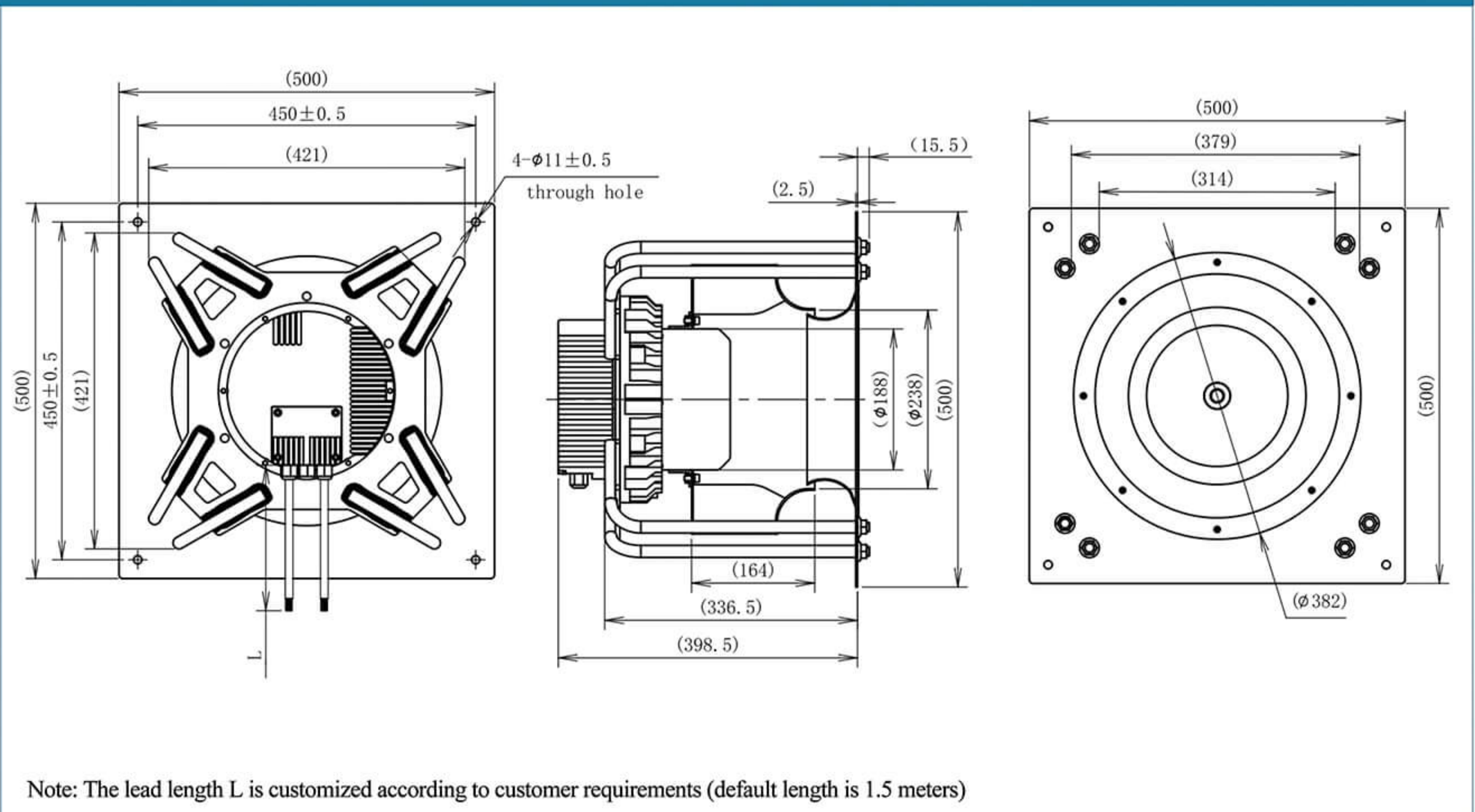
Type	Curve	Nominal voltage	Frequency	Speed	Power input	Current draw	Sound pressure level	Perm. amb. temp.
		[VAC]	[Hz]	[rpm]	[W]	[A]	[dB]	[°C]
BMF355-EC188-010	①	3~380	50/60	3200	2500	4.2	96	-25~+60

Curves



SIGNAL	COLOR	SPEC	SIGNAL	COLOR	SPEC
L1	BROWN	AC380V 50/60Hz	Vcc	RED	DC10V
L2	BLACK	AC380V 50/60Hz	Vsp	YELLOW	0-10VDC/PWM
L3	BLUE	AC380V 50/60Hz	GND	BLUE	GND
PE	YELLOW/GREEN	EARTH	FG	WHITE	12 Pulse/R

Dimensions



Note: The lead length L is customized according to customer requirements (default length is 1.5 meters)



EC Backward Centrifugal Fans

Material: Sheet aluminium

Type of protection: IP44

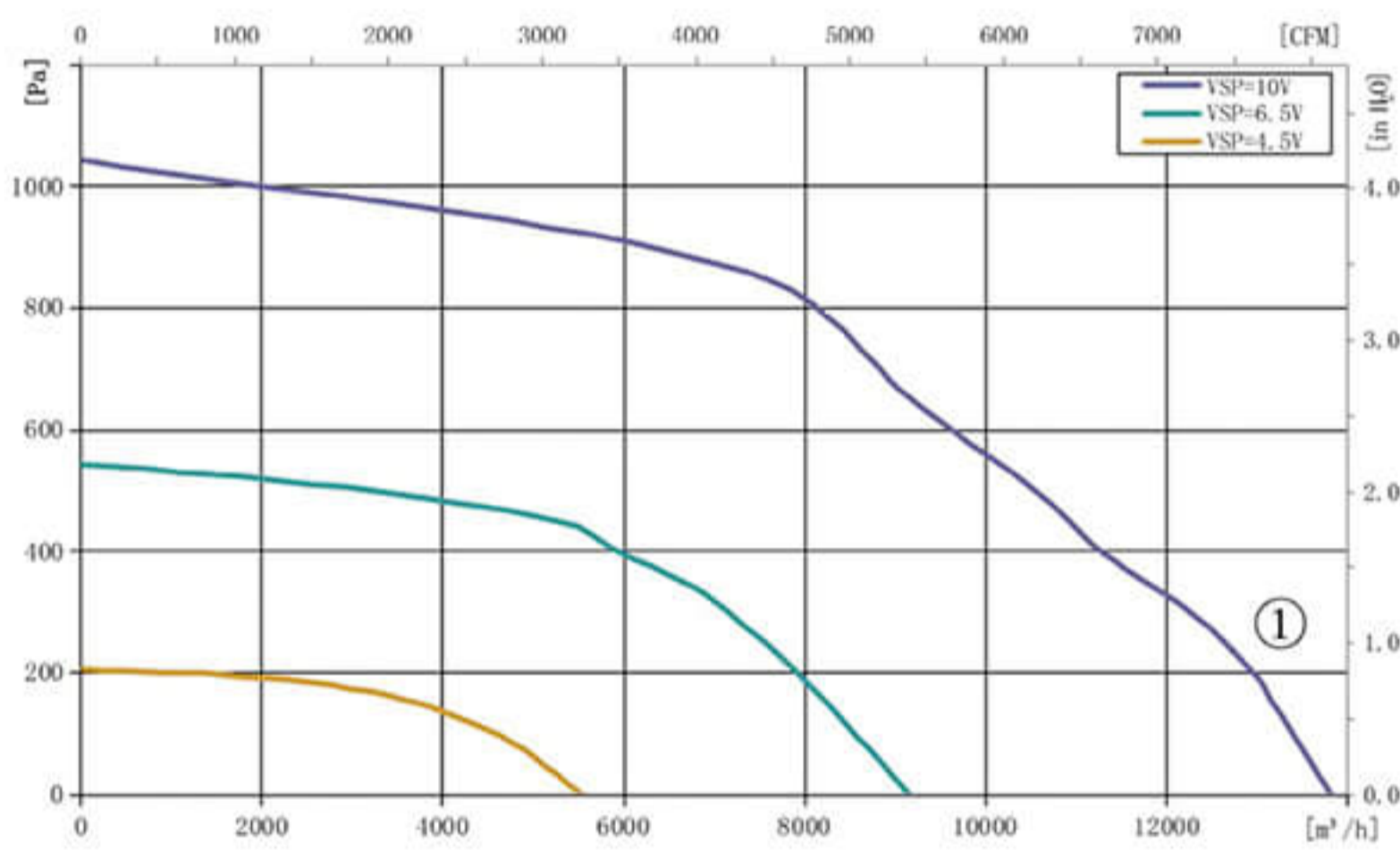
Approvals: CCC CE

Insulation class: F

Specifications

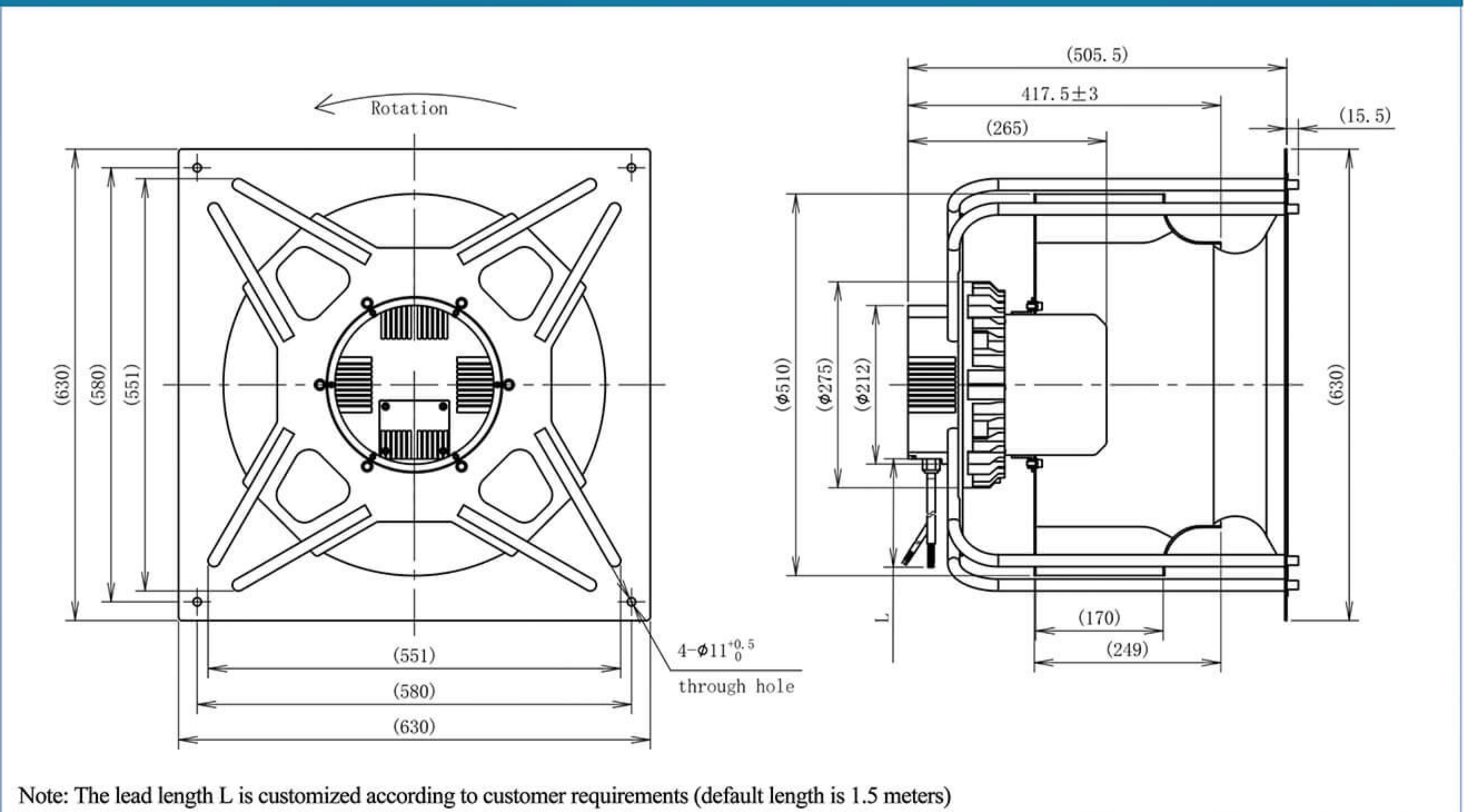
Type	Curve	Nominal voltage	Frequency	Speed	Power input	Current draw	Sound pressure level	Perm. amb. temp.
BMF500-EC188-010		[VAC]	[Hz]	[rpm]	[W]	[A]	[dB]	[°C]
	①	3~380	50/60	1800	3000	4.95	89	-25~+60

Curves



SIGNAL	COLOR	SPEC	SIGNAL	COLOR	SPEC
L1	BROWN	AC380V 50/60Hz	Vcc	RED	DC10V
L2	BLACK	AC380V 50/60Hz	Vsp	YELLOW	0-10VDC/PWM
L3	BLUE	AC380V 50/60Hz	GND	BLUE	GND
PE	YELLOW/GREEN	EARTH	FG	WHITE	12 Pulse/R

Dimensions





EC Backward Centrifugal Fans

Material: Sheet aluminium

Type of protection: IP44

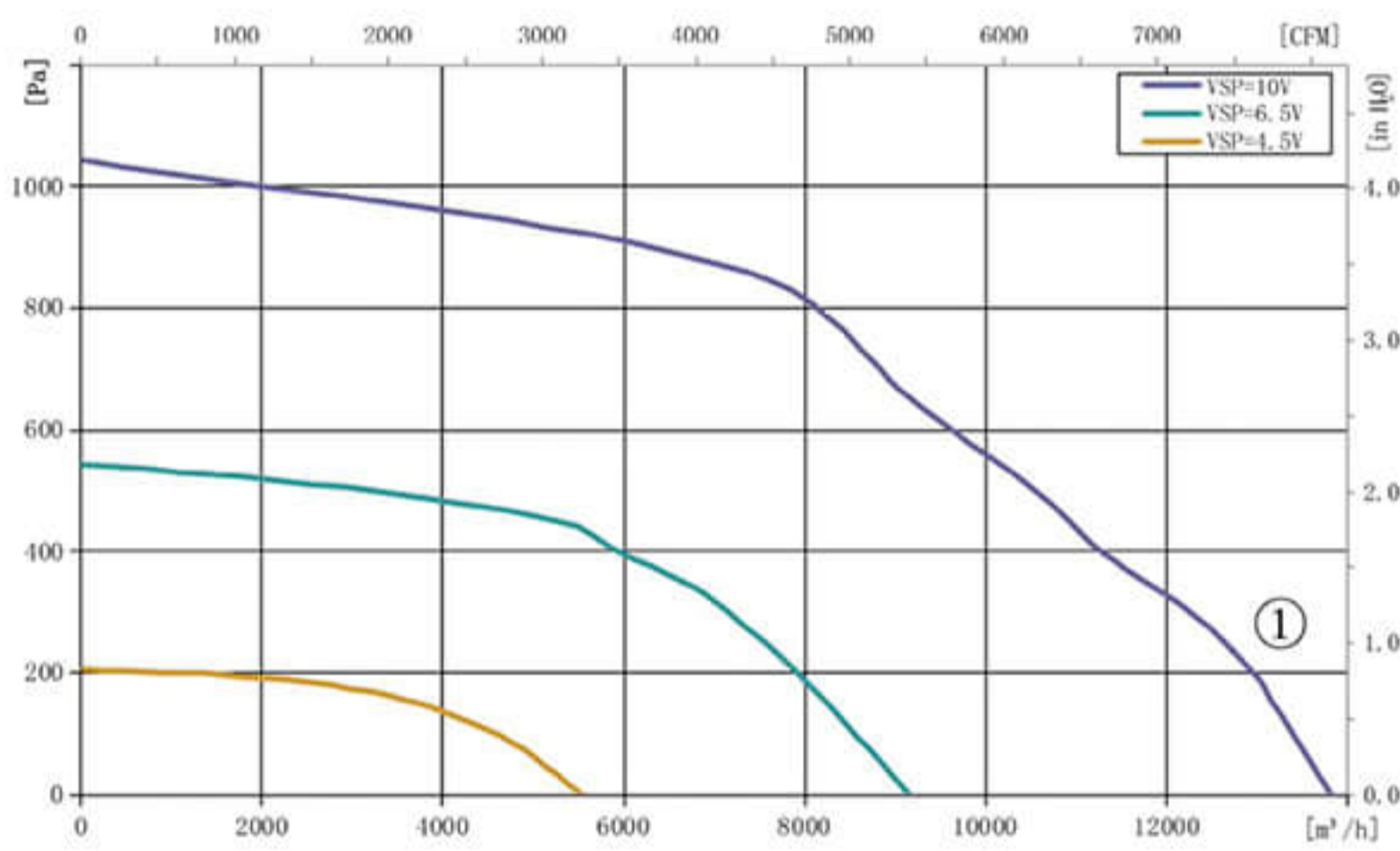
Approvals: CCC CE

Insulation class: F

Specifications

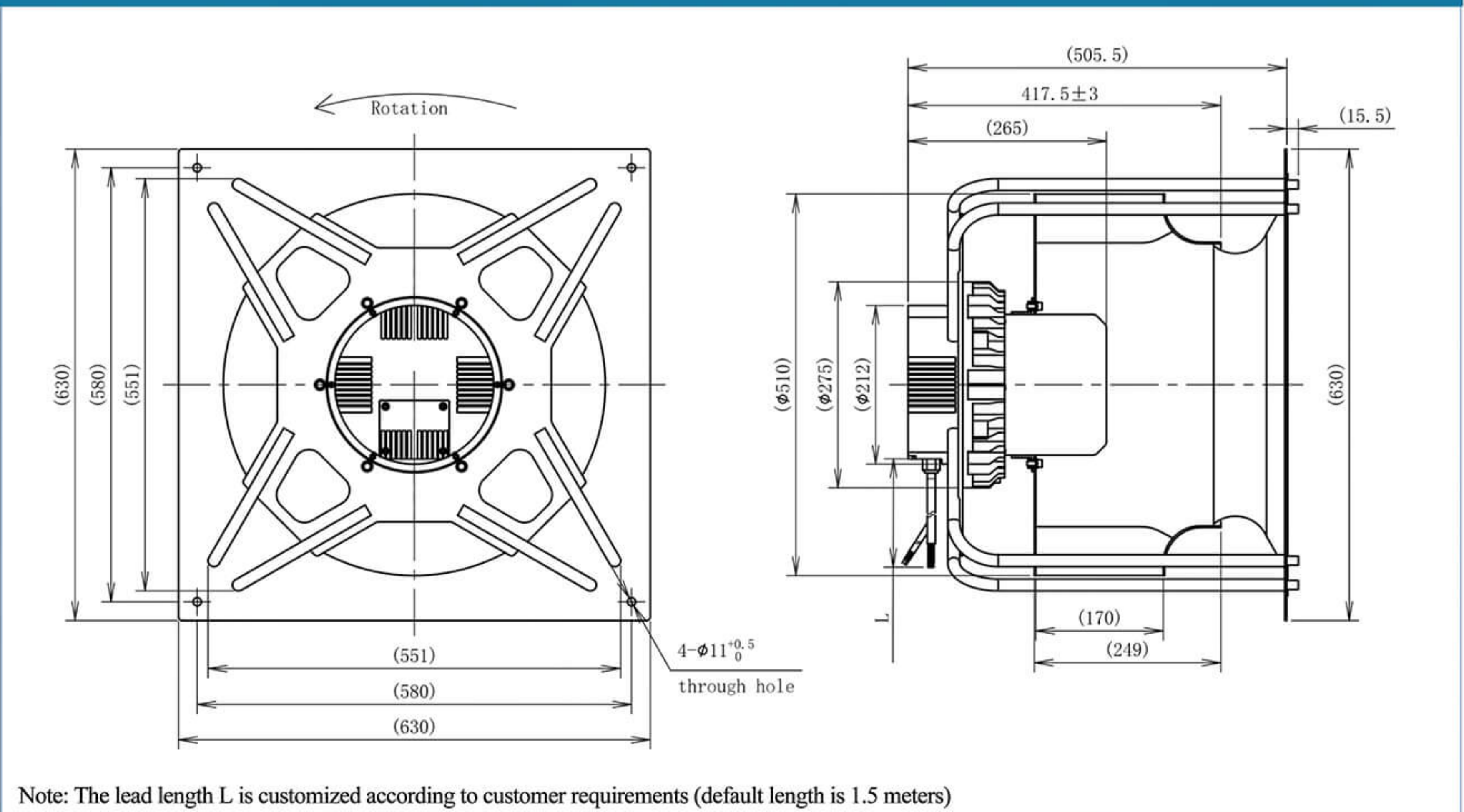
Type	Curve	Nominal voltage	Frequency	Speed	Power input	Current draw	Sound pressure level	Perm. amb. temp.
BMF500-EC188-010		[VAC]	[Hz]	[rpm]	[W]	[A]	[dB]	[°C]
	①	3~380	50/60	1800	3000	4.95	89	-25~+60

Curves



SIGNAL	COLOR	SPEC	SIGNAL	COLOR	SPEC
L1	BROWN	AC380V 50/60Hz	Vcc	RED	DC10V
L2	BLACK	AC380V 50/60Hz	Vsp	YELLOW	0-10VDC/PWM
L3	BLUE	AC380V 50/60Hz	GND	BLUE	GND
PE	YELLOW/GREEN	EARTH	FG	WHITE	12 Pulse/R

Dimensions





EC Backward Centrifugal Fans

Material: Sheet aluminium

Type of protection: IP44

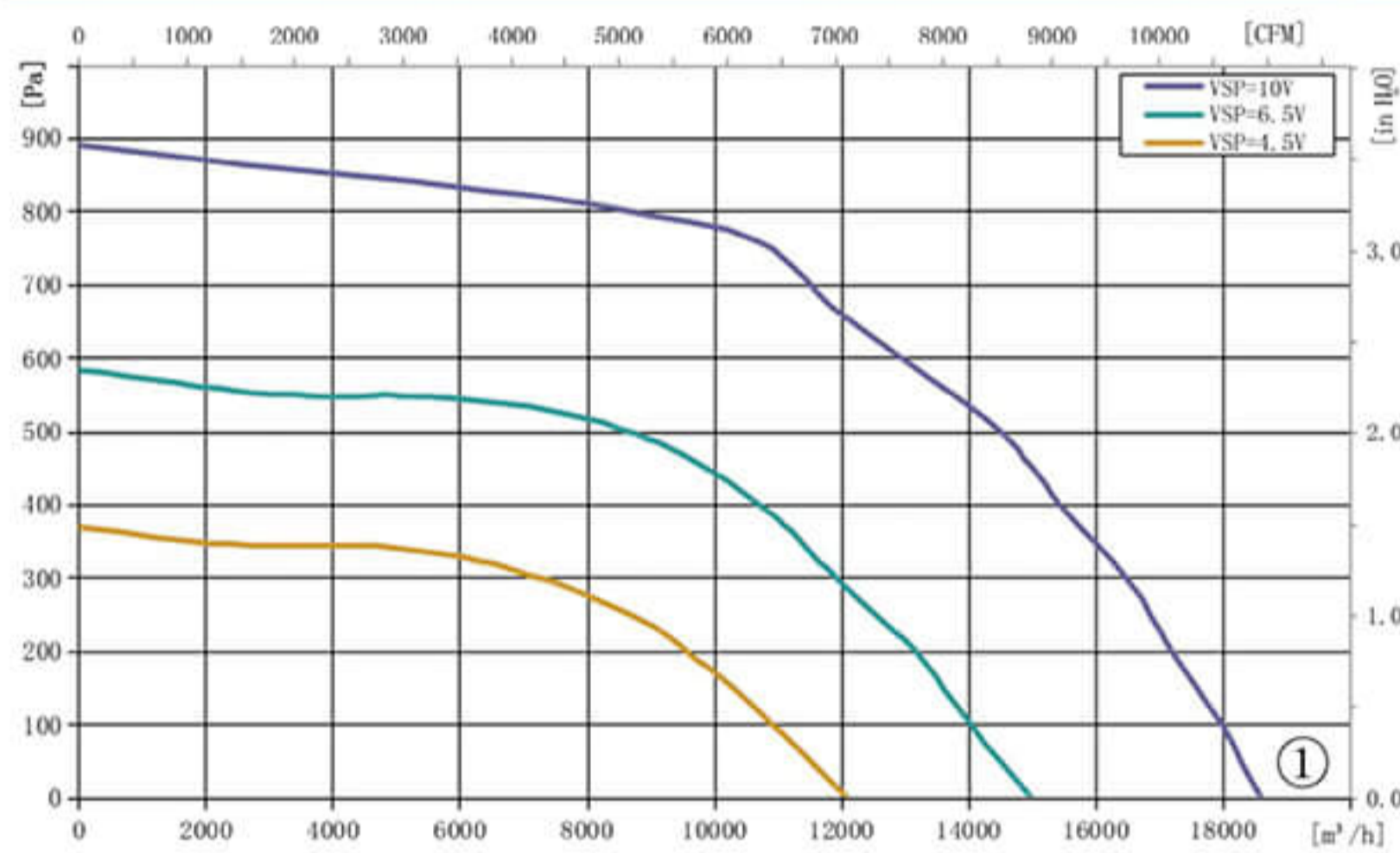
Approvals: CCC CE

Insulation class: F

Specifications

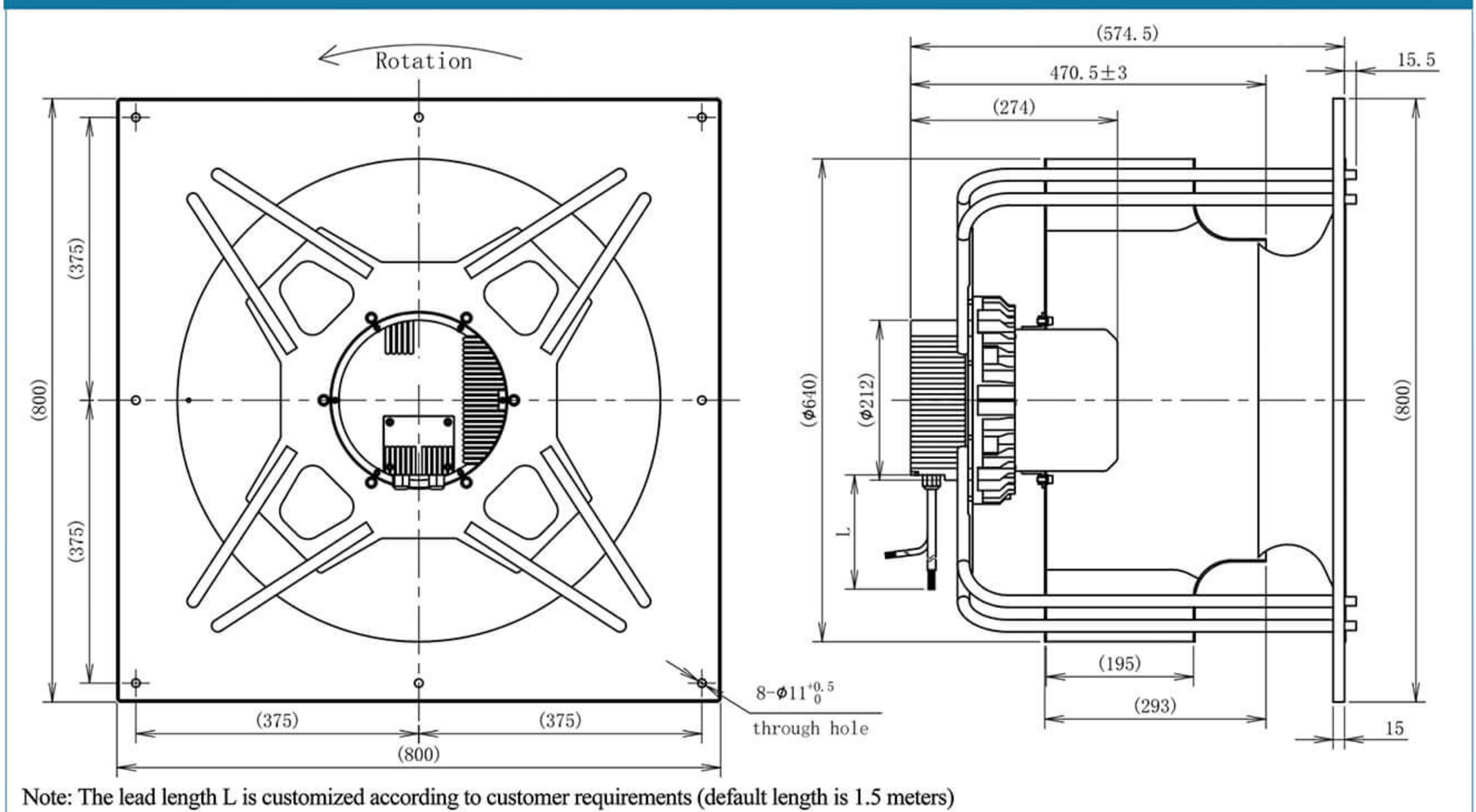
型号 Type	曲线 Curve	额定电压 Nominal voltage	频率 Frequency	转速 Speed	输入功率 Power input	电流 Current draw	噪音 Sound pressure level	使用温度 Perm. amb. temp.
		[VAC]	[Hz]	[rpm]	[W]	[A]	[dB]	[°C]
BMF630-EC188-010	①	3~380	50/60	1250	2700	4.4	85	-25~+60

Curves



SIGNAL	COLOR	SPEC	SIGNAL	COLOR	SPEC
L1	BROWN	AC380V 50/60Hz	Vcc	RED	DC10V
L2	BLACK	AC380V 50/60Hz	Vsp	YELLOW	0-10VDC/PWM
L3	BLUE	AC380V 50/60Hz	GND	BLUE	GND
PE	YELLOW/GREEN	EARTH	FG	WHITE	12 Pulse/R

Dimensions





EC Backward Centrifugal Fans

Material: Sheet aluminium

Type of protection: IP44

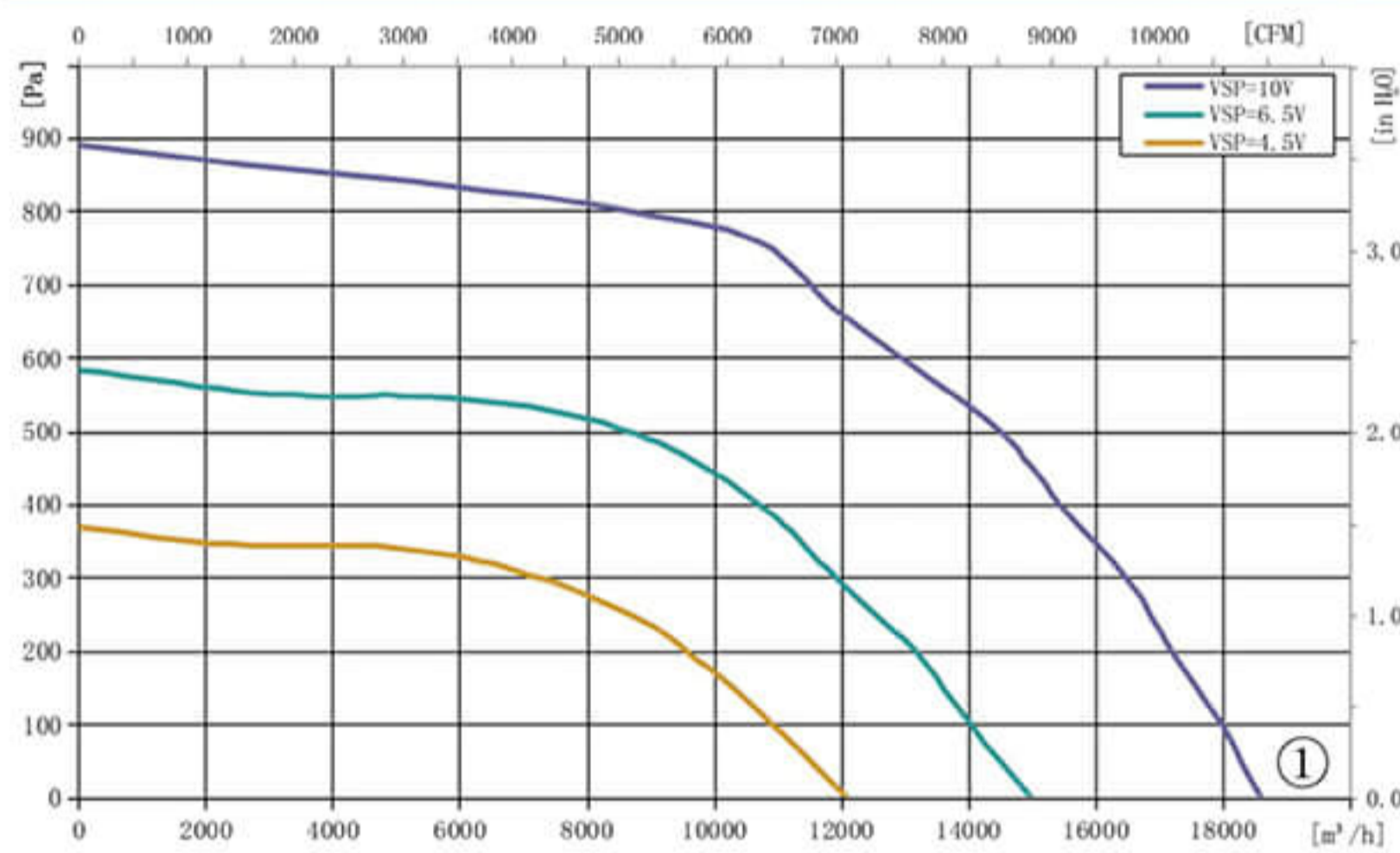
Approvals: CCC CE

Insulation class: F

Specifications

型号 Type	曲线 Curve	额定电压 Nominal voltage	频率 Frequency	转速 Speed	输入功率 Power input	电流 Current draw	噪音 Sound pressure level	使用温度 Perm. amb. temp.
		[VAC]	[Hz]	[rpm]	[W]	[A]	[dB]	[°C]
BMF630-EC188-010	①	3~380	50/60	1250	2700	4.4	85	-25~+60

Curves



SIGNAL	COLOR	SPEC	SIGNAL	COLOR	SPEC
L1	BROWN	AC380V 50/60Hz	Vcc	RED	DC10V
L2	BLACK	AC380V 50/60Hz	Vsp	YELLOW	0-10VDC/PWM
L3	BLUE	AC380V 50/60Hz	GND	BLUE	GND
PE	YELLOW/GREEN	EARTH	FG	WHITE	12 Pulse/R

Dimensions

