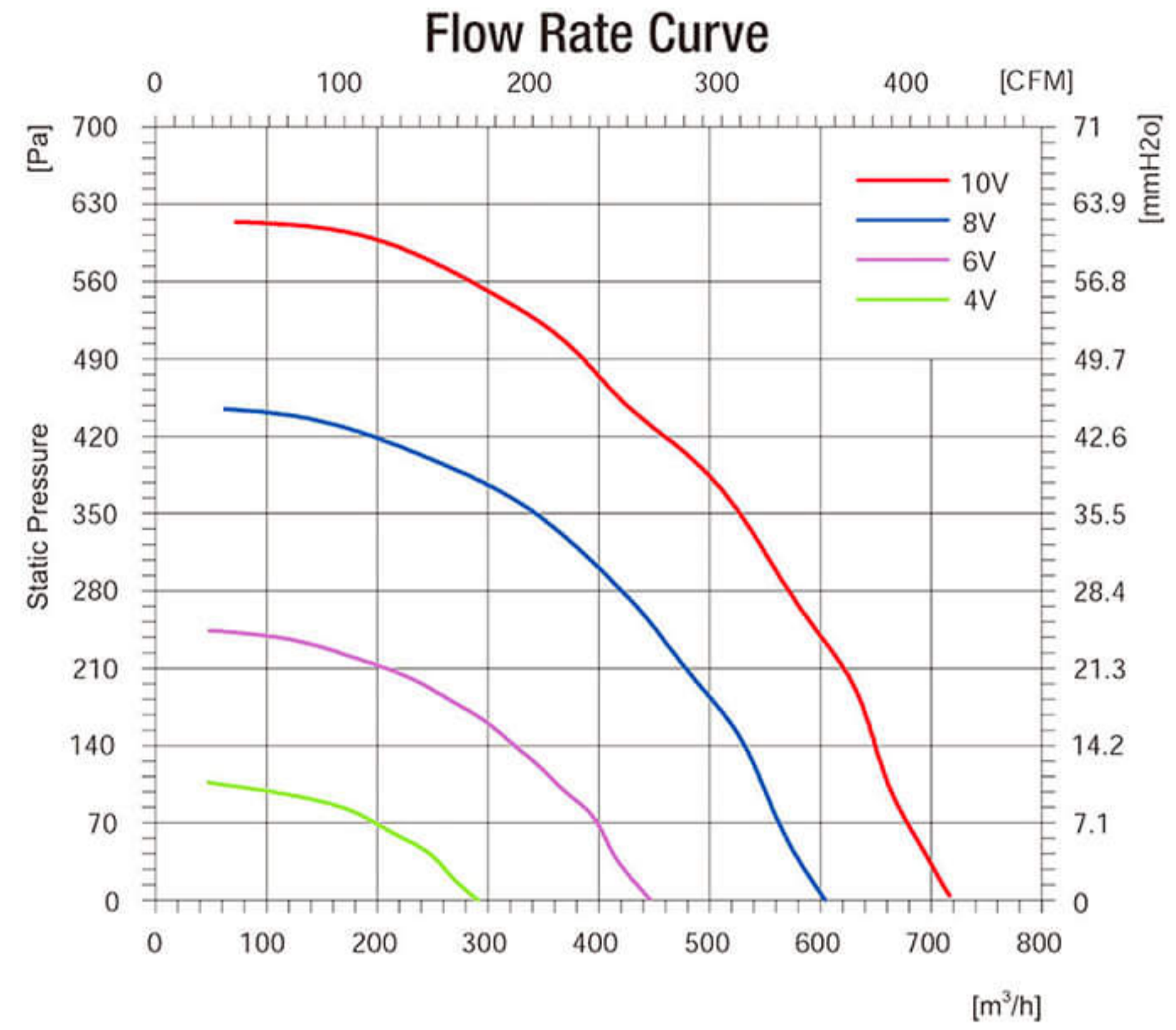
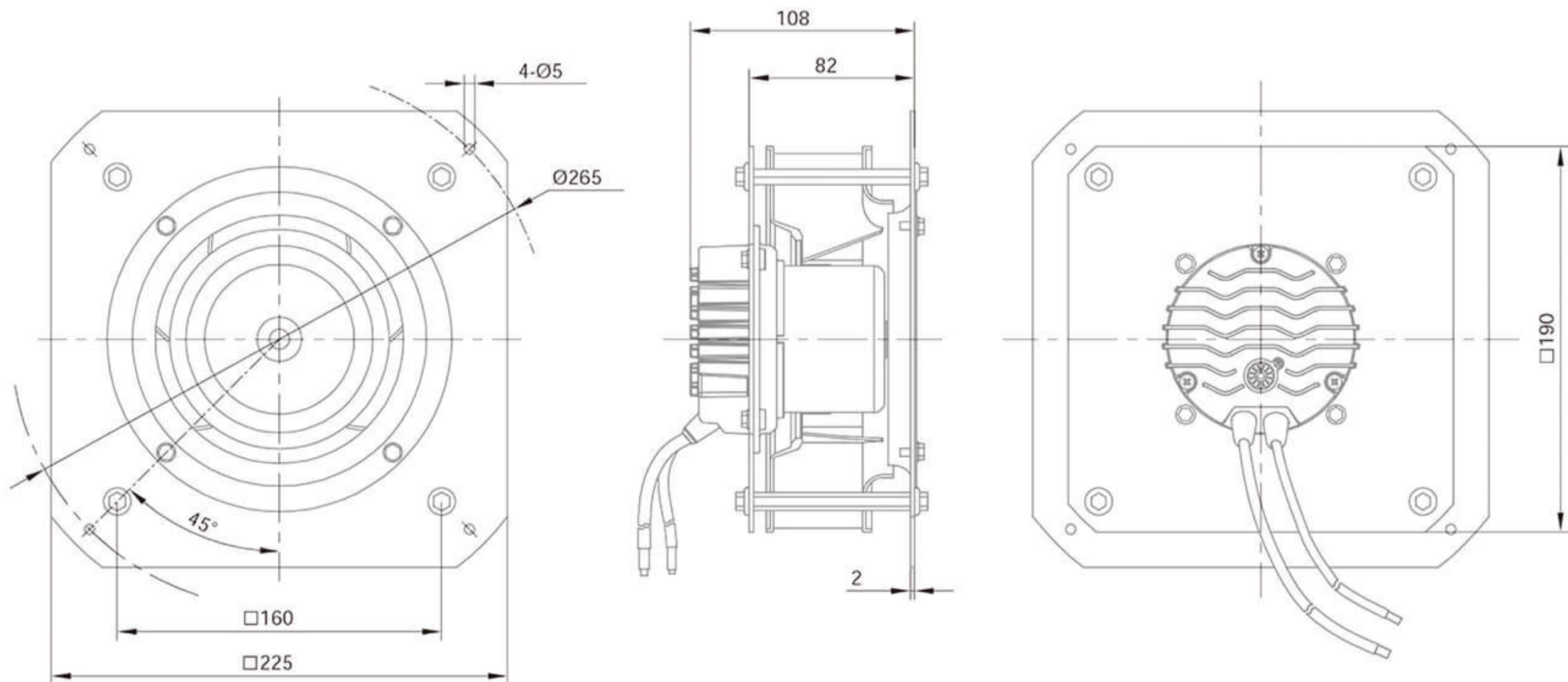


EC Centrifugal Plug Fans $\Phi 175$



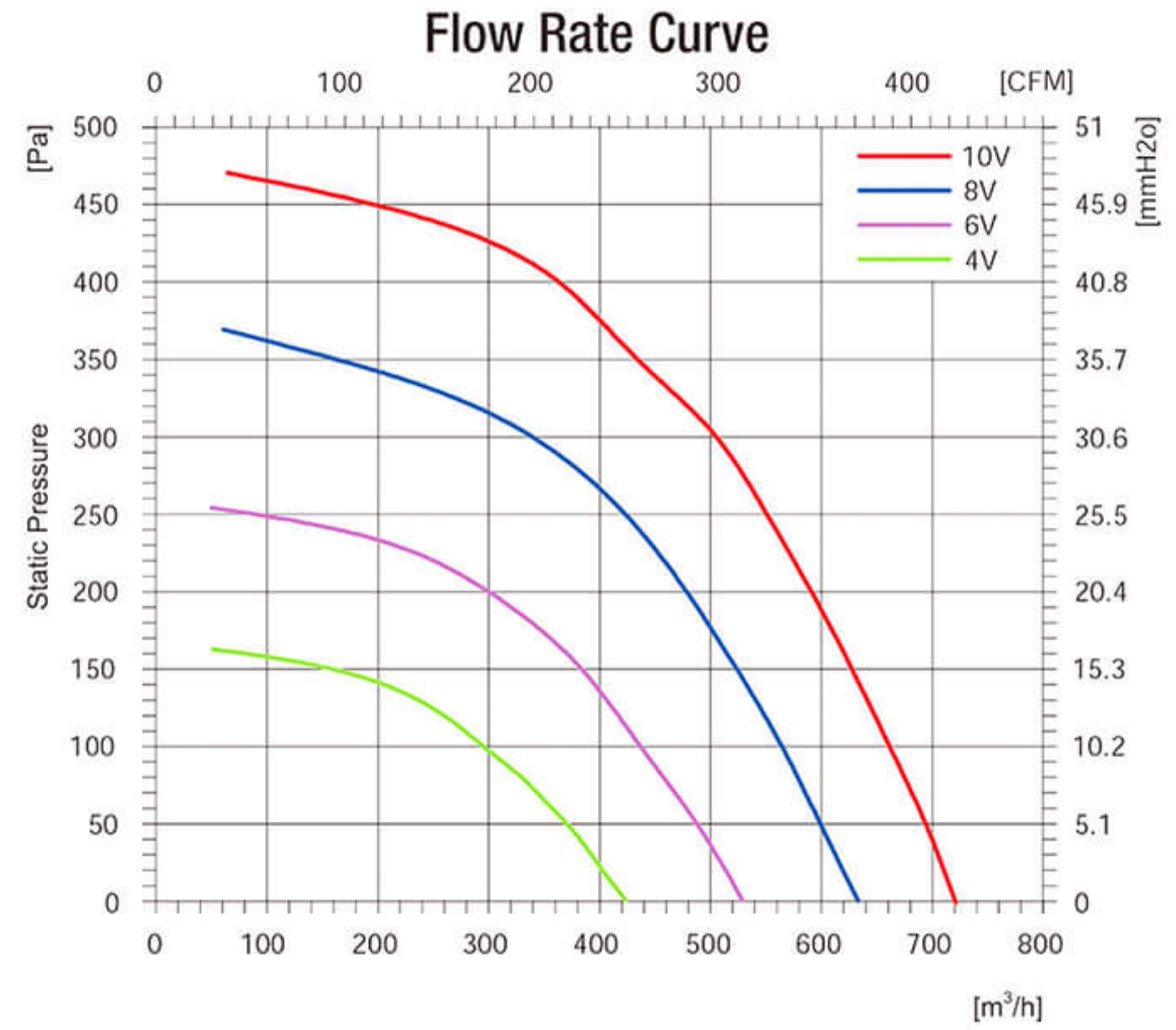
Product Characteristic

Motor technology: EC Outer rotor
 Supply voltage: 1~, 200-277V, 50/60Hz
 Mode of Operation: S1
 Protection Class: IP54
 Insulation Class: F
 Bearings: Maintenance-free ball bearings
 Impeller Type: Backward curved
 Impeller Material: Plastic
 Rotation: C.C.W, seen on the leads
 Perm.amb.temp.: -25°C ~ +50°C
 Controller Integrated, 0-10V or PWM Control



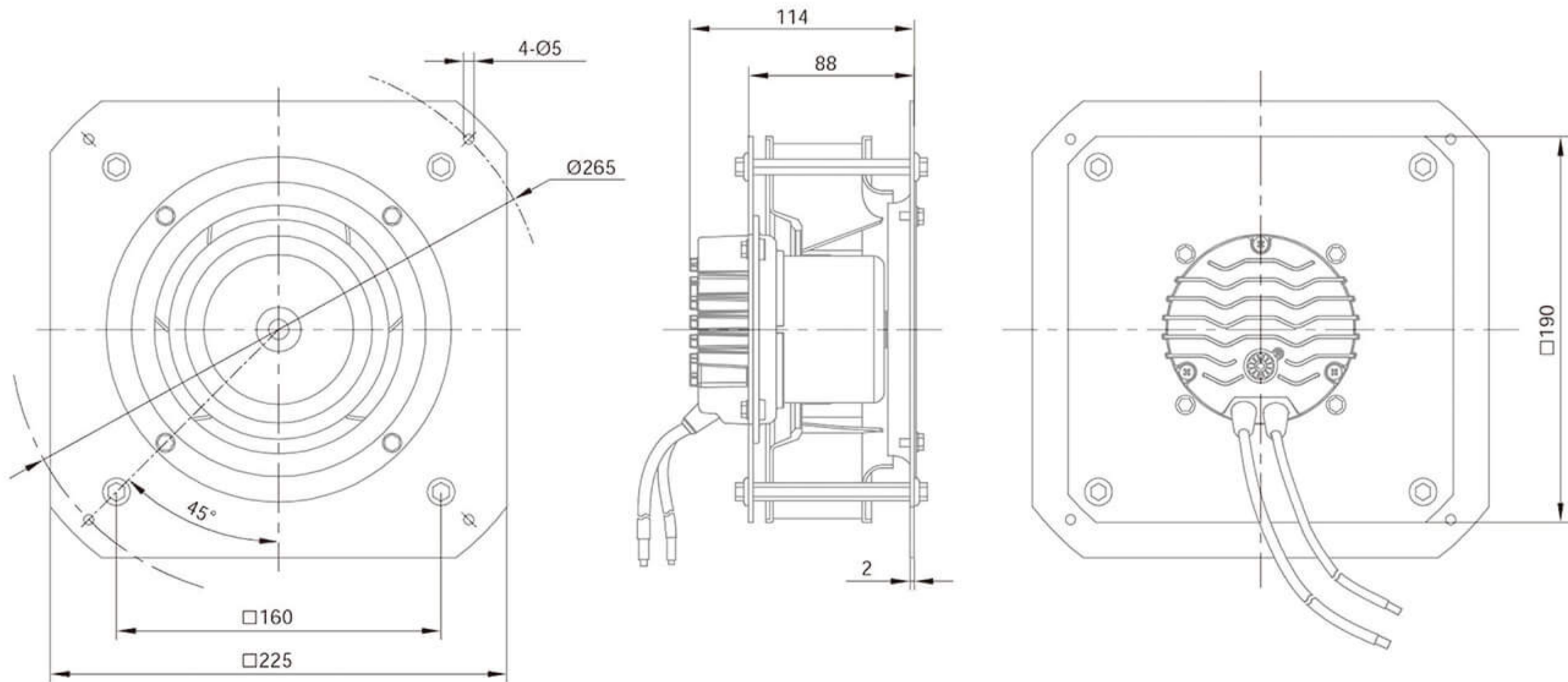
| Model | Voltage (V) | Frequency (Hz) | Input Power (W) | Current (A) | Air Volume (m³/h) | Speed (r/min) | Noise [dB(A)] | Max Environmental Temperature(°C) | Weight (Kg) |
|-------------------|-------------|----------------|-----------------|-------------|-------------------|---------------|---------------|-----------------------------------|-------------|
| BMF-4E175-PLHDAL0 | 230 | 50/60 | 125 | 1.0 | 720 | 4420 | 75 | 50 | 2.4 |

EC Centrifugal Plug Fans $\Phi 192$



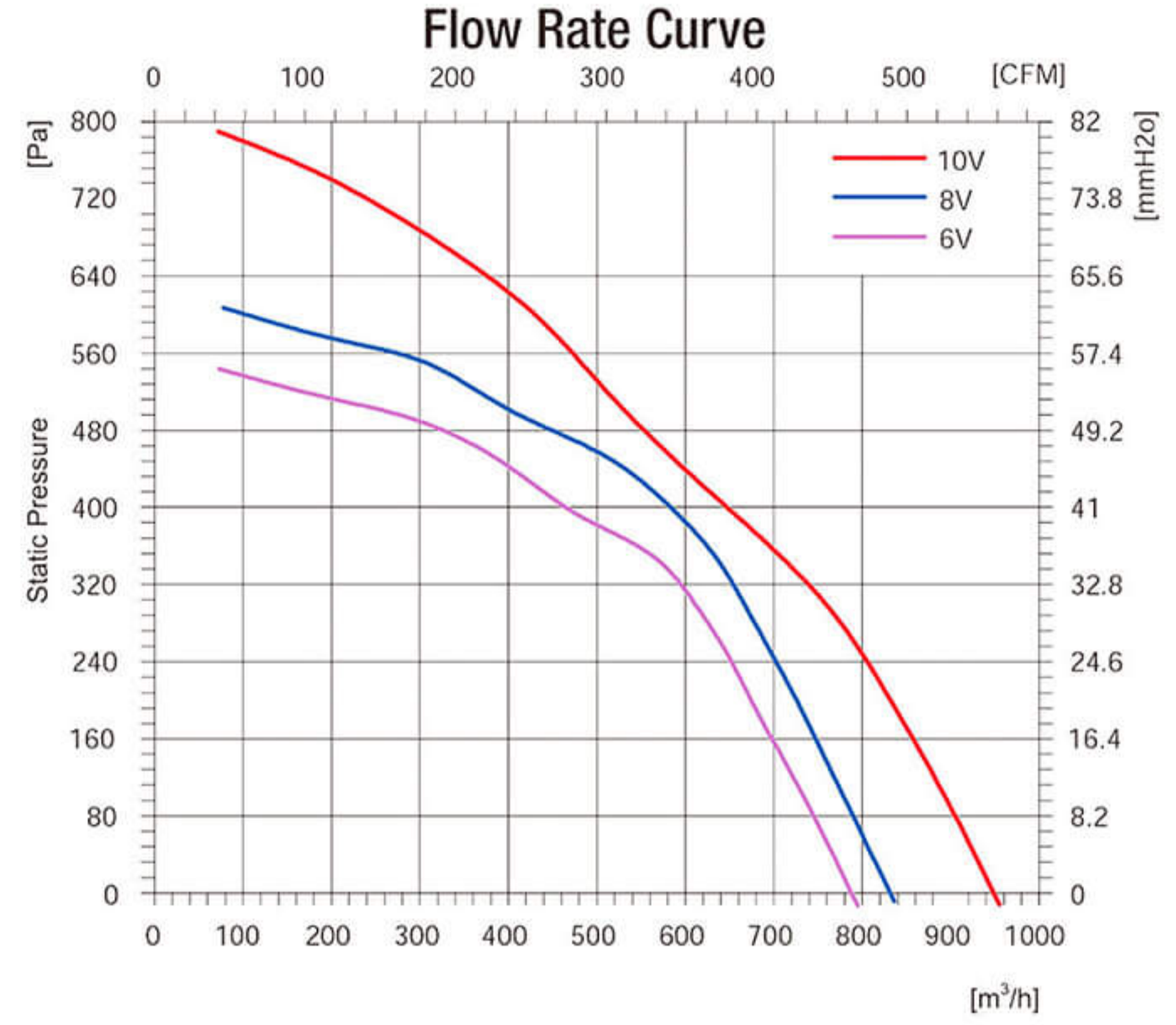
Product Characteristic

- Motor technology: EC Outer rotor
- Supply voltage: 1~, 200-277V, 50/60Hz
- Mode of Operation: S1
- Protection Class: IP54
- Insulation Class: F
- Bearings: Maintenance-free ball bearings
- Impeller Type: Backward curved
- Impeller Material: Plastic
- Rotation: C.C.W, seen on the leads
- Perm.amb.temp.: -25°C ~ +50°C
- Controller Integrated, 0-10V or PWM Control



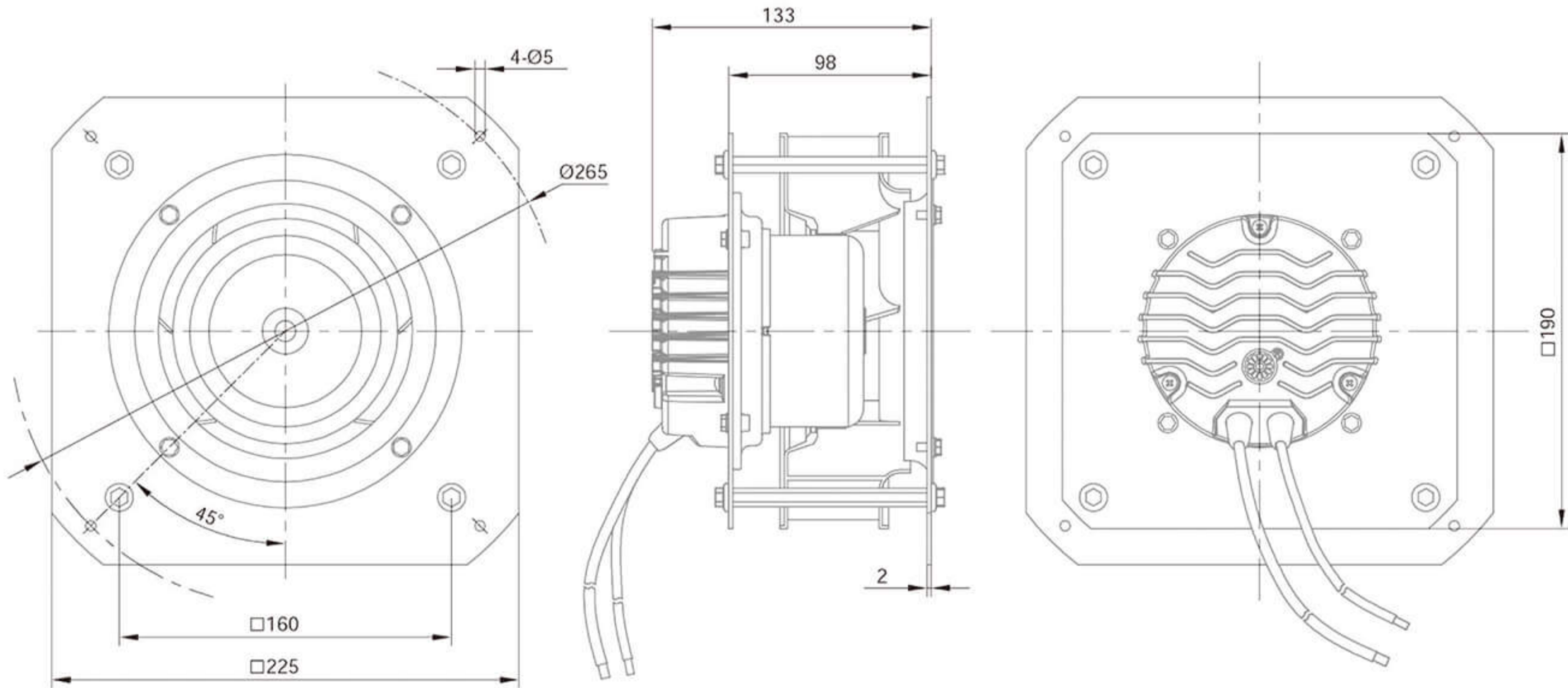
| Model | Voltage (V) | Frequency (Hz) | Input Power (W) | Current (A) | Air Volume (m³/h) | Speed (r/min) | Noise [dB(A)] | Max Environmental Temperature(°C) | Weight (Kg) |
|--------------------|-------------|----------------|-----------------|-------------|-------------------|---------------|---------------|-----------------------------------|-------------|
| BMF- 4E192-PLHDAL0 | 230 | 50/60 | 120 | 1.0 | 750 | 3500 | 65 | 50 | 2.6 |

EC Centrifugal Plug Fans $\Phi 192$



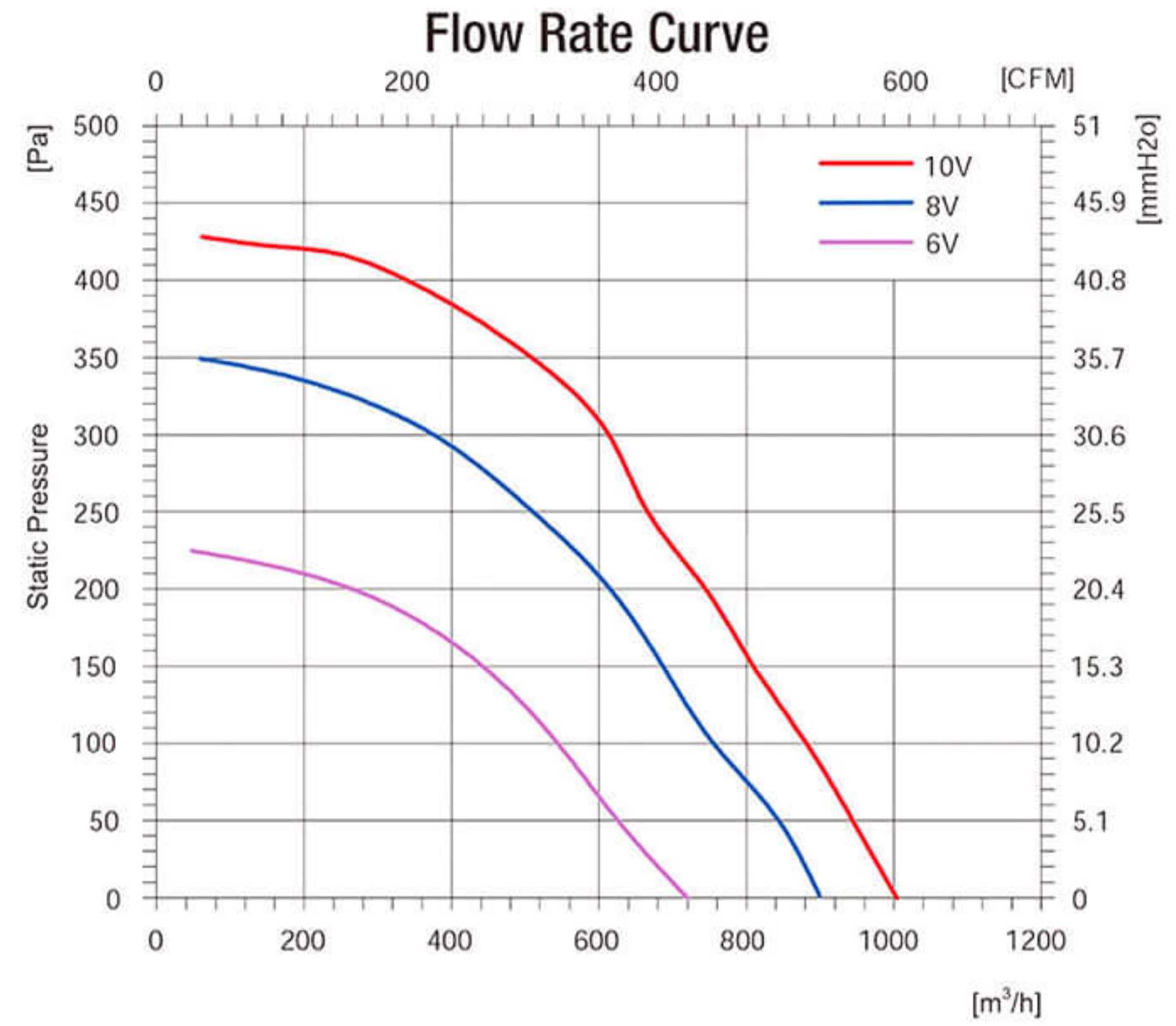
Product Characteristic

- Motor technology: EC Outer rotor
- Supply voltage: 1~, 200-277V, 50/60Hz
- Mode of Operation: S1
- Protection Class: IP54
- Insulation Class: F
- Bearings: Maintenance-free ball bearings
- Impeller Type: Backward curved
- Impeller Material: Plastic
- Rotation: C.C.W, seen on the leads
- Perm.amb.temp.: -25°C ~ +50°C
- Controller Integrated, 0-10V or PWM Control



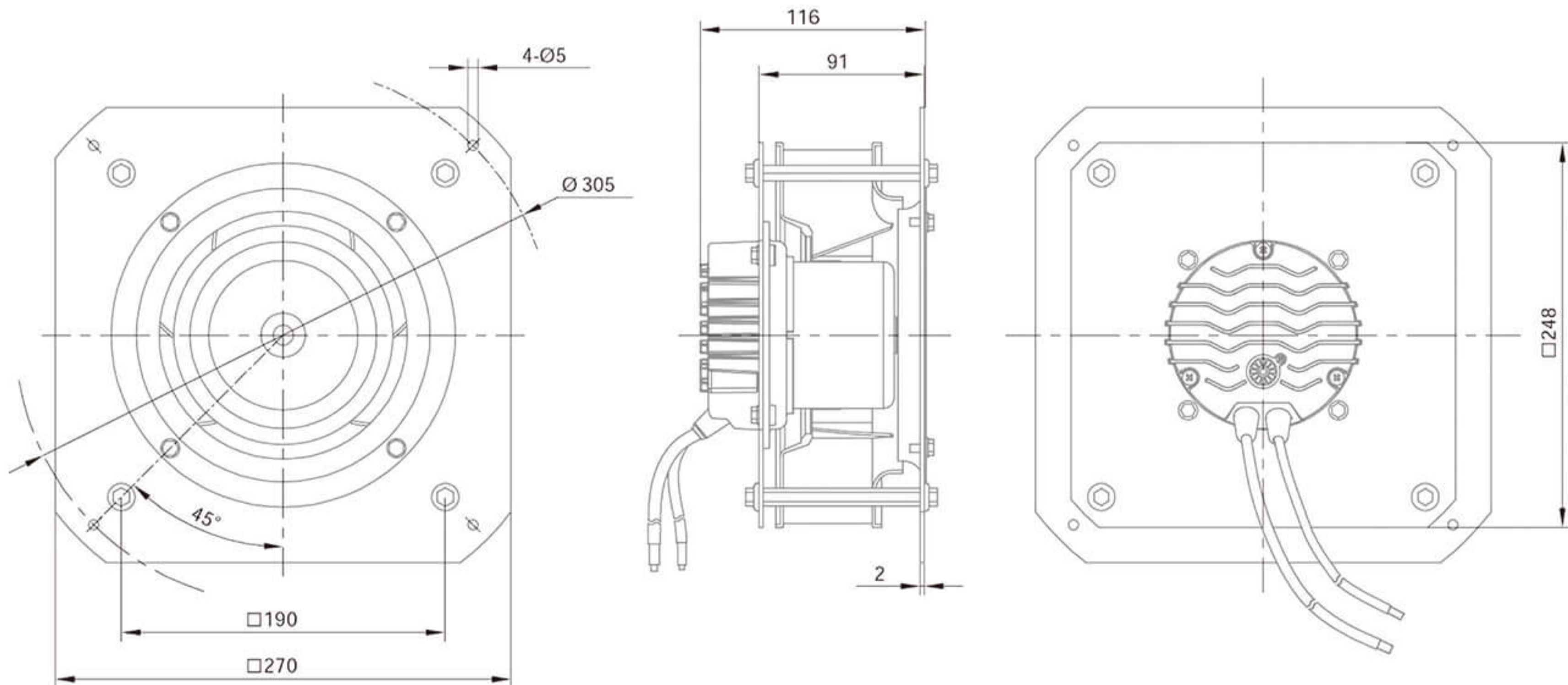
| Model | Voltage (V) | Frequency (Hz) | Input Power (W) | Current (A) | Air Volume (m³/h) | Speed (r/min) | Noise [dB(A)] | Max Environmental Temperature(°C) | Weight (Kg) |
|--------------------|-------------|----------------|-----------------|-------------|-------------------|---------------|---------------|-----------------------------------|-------------|
| BMF- 6E192-PLHDAL1 | 230 | 50/60 | 171 | 1.3 | 956 | 4300 | 65 | 50 | 2.2 |

EC Centrifugal Plug Fans $\Phi 220$



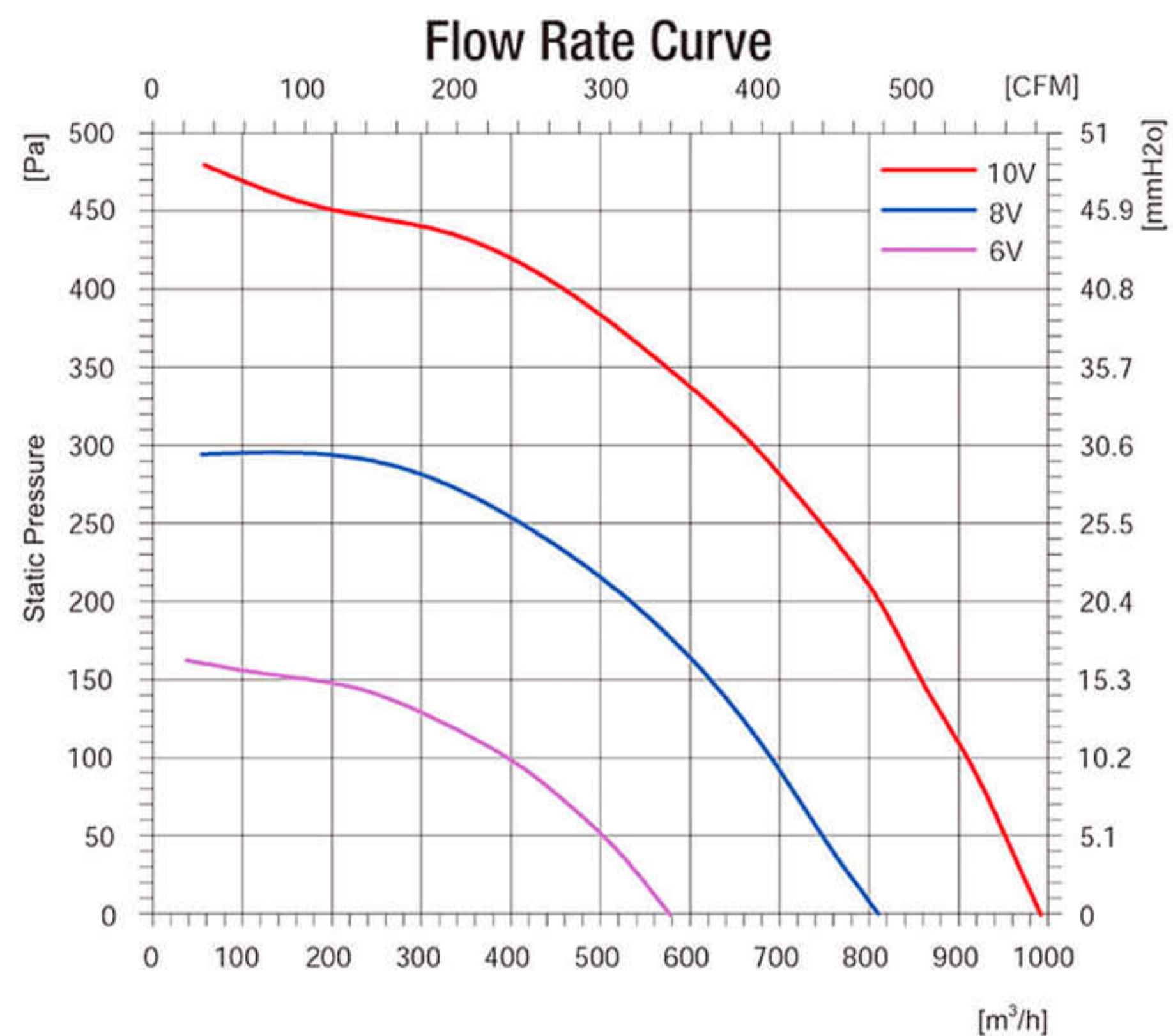
Product Characteristic

Motor technology: EC Outer rotor
 Supply voltage: 1~, 200-277V, 50/60Hz
 Mode of Operation: S1
 Protection Class: IP54
 Insulation Class: F
 Bearings: Maintenance-free ball bearings
 Impeller Type: Backward curved
 Impeller Material: Plastic
 Rotation: C.C.W, seen on the leads
 Perm.amb.temp.: -25°C ~ +50°C
 Controller Integrated, 0-10V or PWM Control



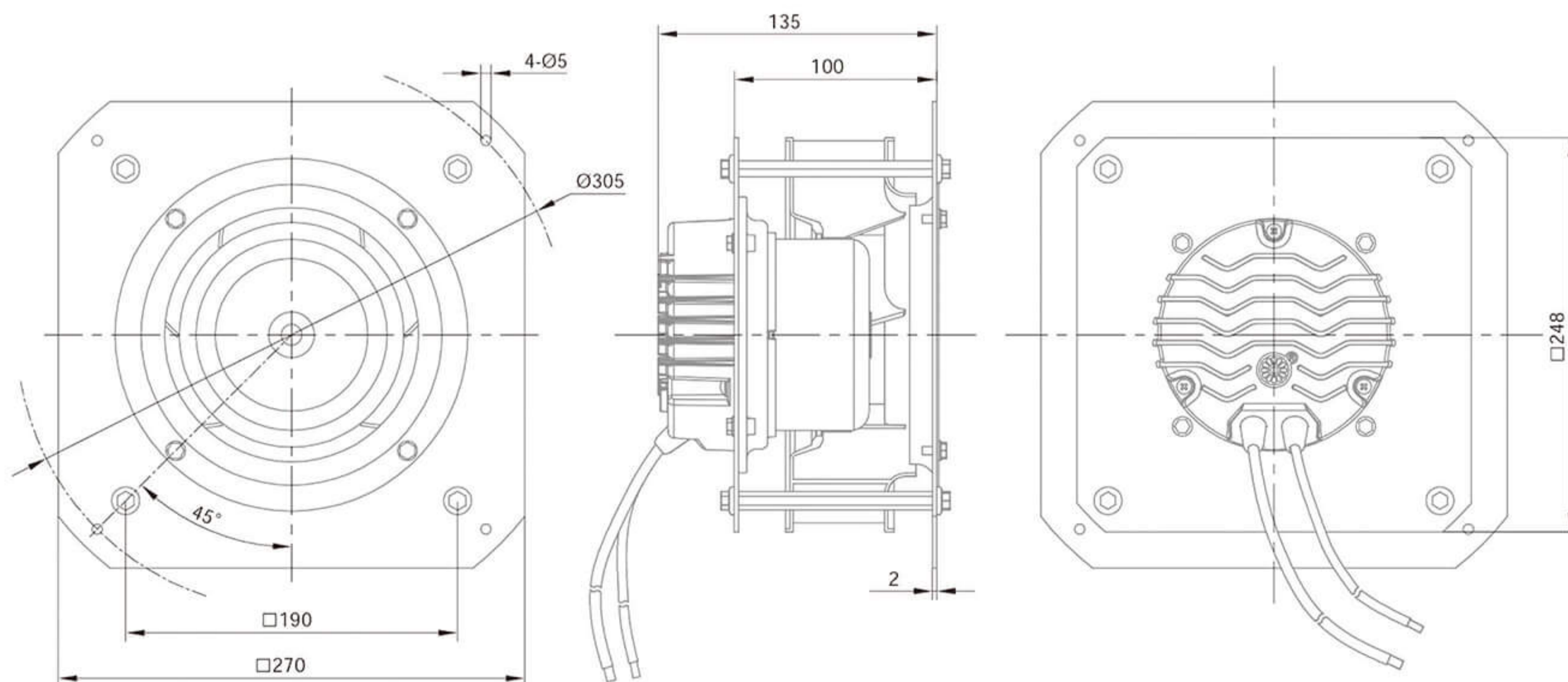
| Model | Voltage (V) | Frequency (Hz) | Input Power (W) | Current (A) | Air Volume (m³/h) | Speed (r/min) | Noise [dB(A)] | Max Environmental Temperature(°C) | Weight (Kg) |
|--------------------|-------------|----------------|-----------------|-------------|-------------------|---------------|---------------|-----------------------------------|-------------|
| BMF- 4E220-PLHDAL0 | 230 | 50/60 | 115 | 1.0 | 1000 | 2750 | 65 | 50 | 3.0 |

EC Centrifugal Plug Fans $\Phi 220$



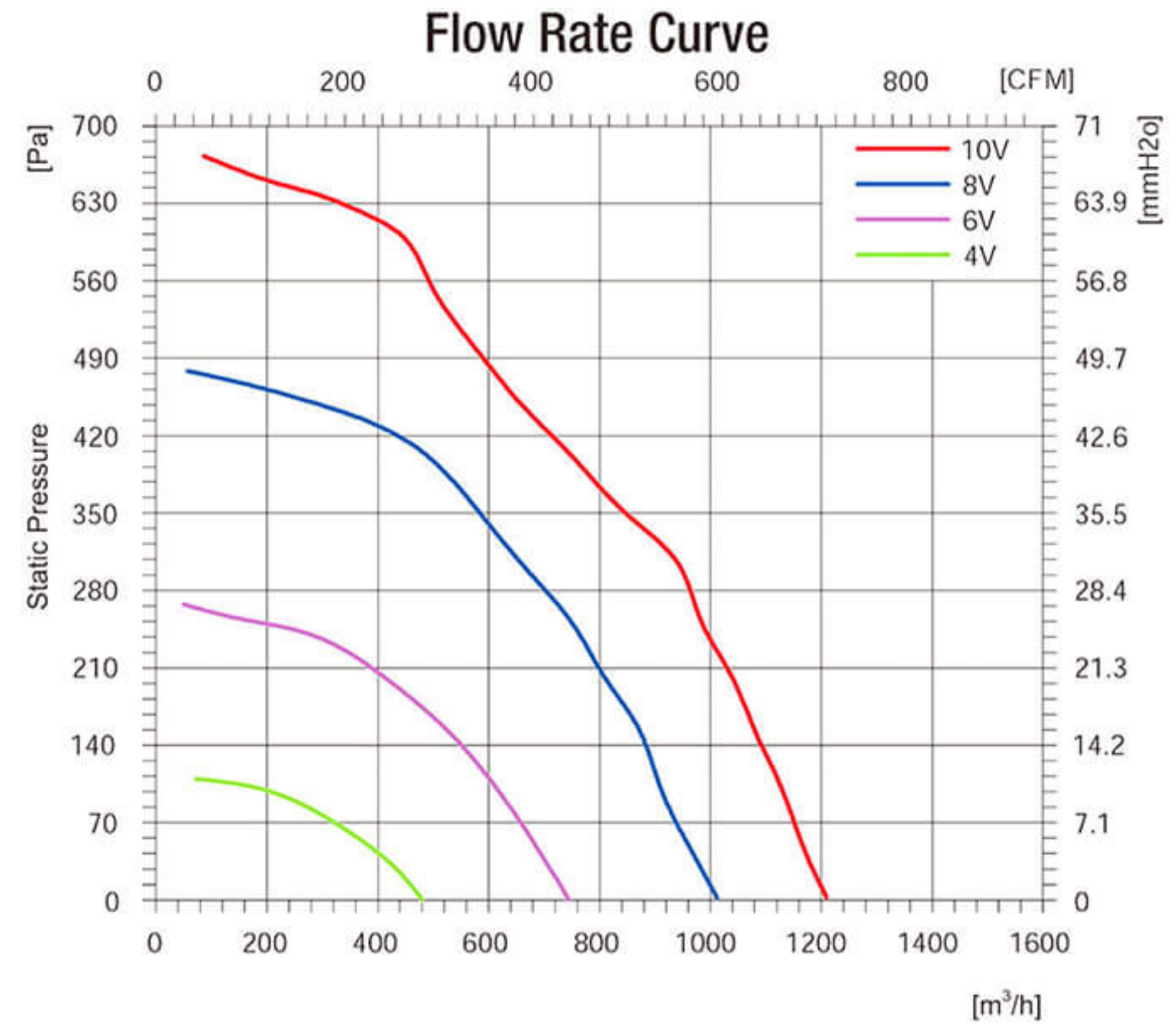
Product Characteristic

Motor technology: EC Outer rotor
 Supply voltage: 1~, 200-277V, 50/60Hz
 Mode of Operation: S1
 Protection Class: IP54
 Insulation Class: F
 Bearings: Maintenance-free ball bearings
 Impeller Type: Backward curved
 Impeller Material: Plastic
 Rotation: C.C.W, seen on the leads
 Perm.amb.temp.: -25°C ~ +50°C
 Controller Integrated, 0-10V or PWM Control



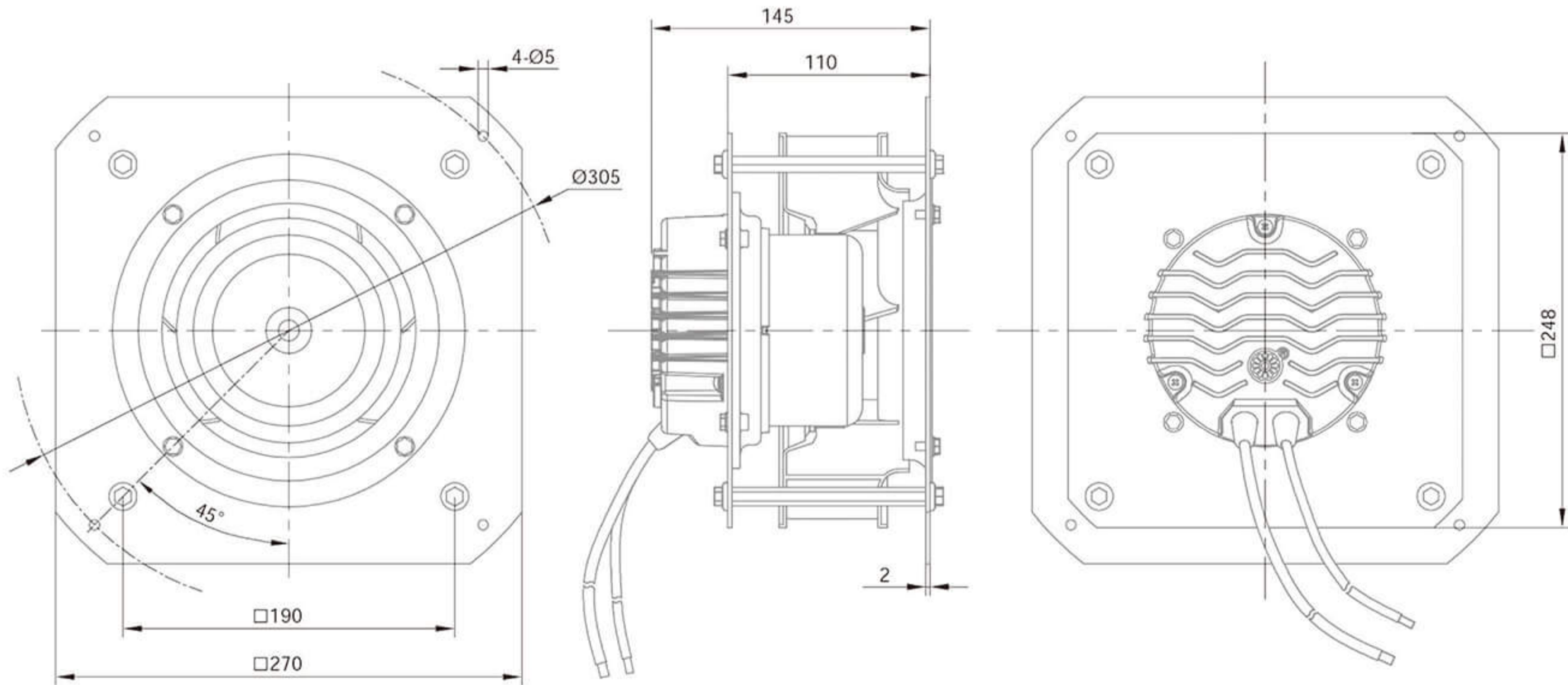
| Model | Voltage (V) | Frequency (Hz) | Input Power (W) | Current (A) | Air Volume (m ³ /h) | Speed (r/min) | Noise [dB(A)] | Max Environmental Temperature(°C) | Weight (Kg) |
|-------------------|-------------|----------------|-----------------|-------------|--------------------------------|---------------|---------------|-----------------------------------|-------------|
| BMF-6E220-PLHDAL0 | 230 | 50/60 | 105 | 1.0 | 990 | 2800 | 66 | 50 | 3.9 |

EC Centrifugal Plug Fans $\Phi 220$



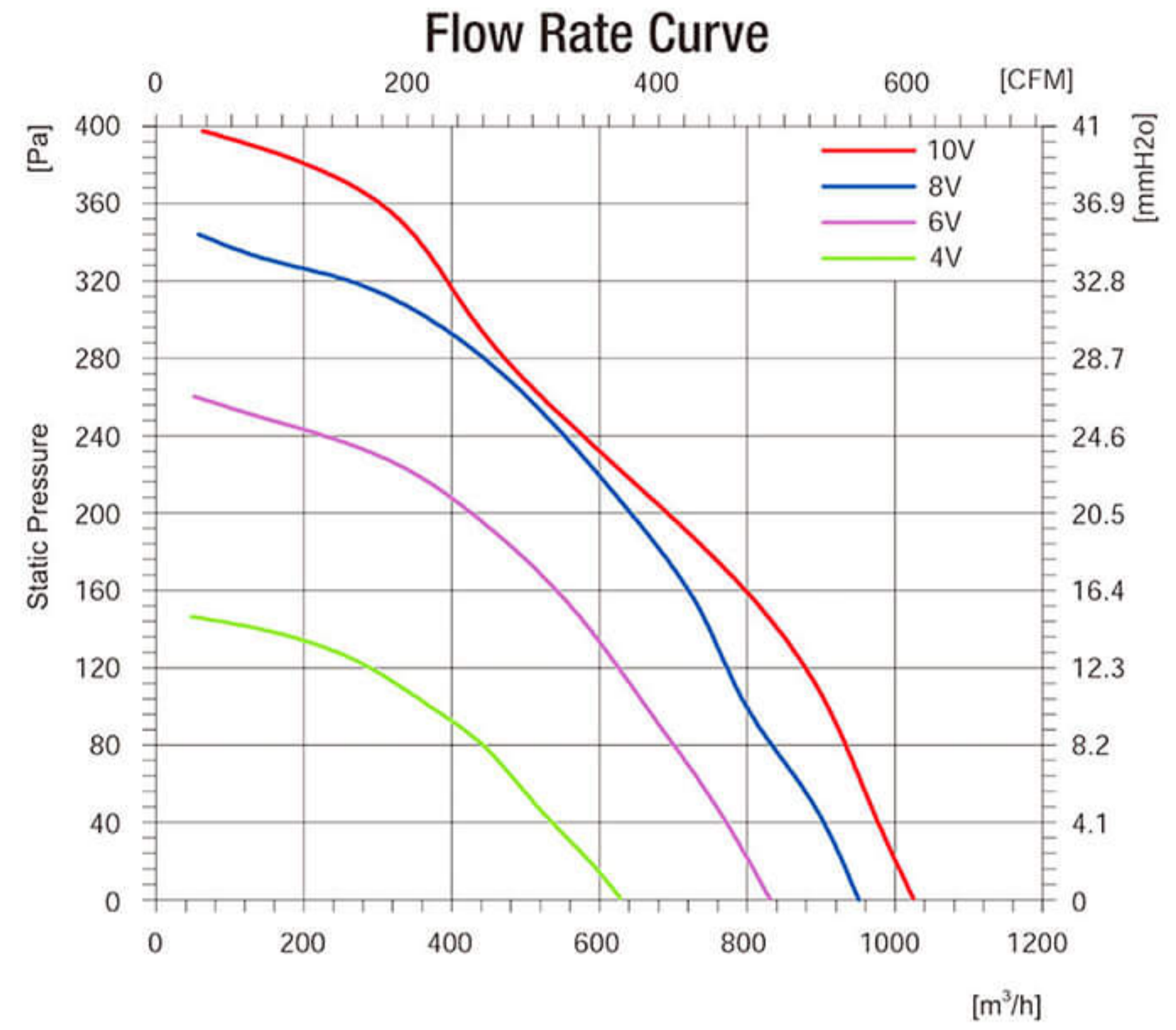
Product Characteristic

- Motor technology: EC Outer rotor
- Supply voltage: 1~, 200-277V, 50/60Hz
- Mode of Operation: S1
- Protection Class: IP54
- Insulation Class: F
- Bearings: Maintenance-free ball bearings
- Impeller Type: Backward curved
- Impeller Material: Plastic
- Rotation: C.C.W, seen on the leads
- Perm.amb.temp.: -25°C ~ +50°C
- Controller Integrated, 0-10V or PWM Control



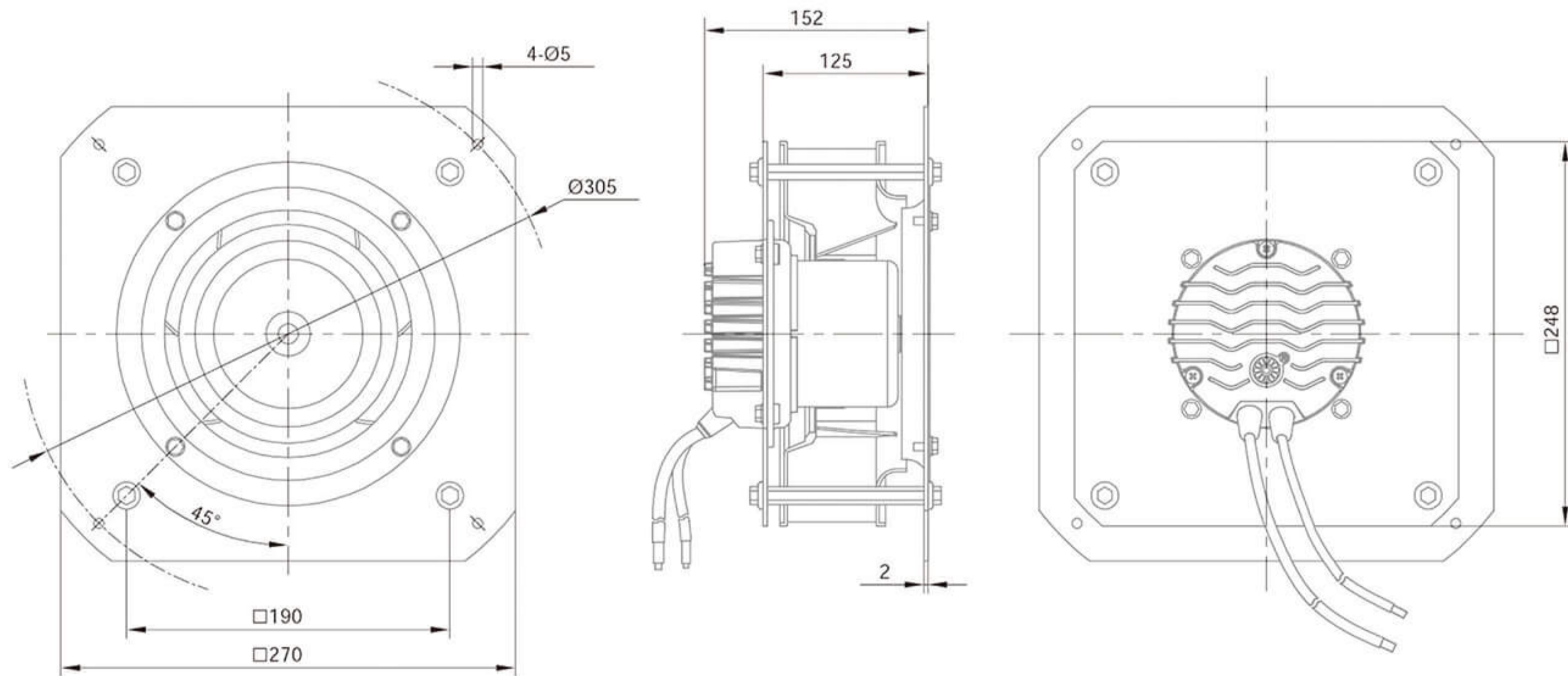
| Model | Voltage (V) | Frequency (Hz) | Input Power (W) | Current (A) | Air Volume (m³/h) | Speed (r/min) | Noise [dB(A)] | Max Environmental Temperature(°C) | Weight (Kg) |
|--------------------|-------------|----------------|-----------------|-------------|-------------------|---------------|---------------|-----------------------------------|-------------|
| BMF- 6E220-PLHDAL1 | 230 | 50/60 | 180 | 1.3 | 1200 | 3350 | 68 | 50 | 3.9 |

EC Centrifugal Plug Fans $\Phi 225$



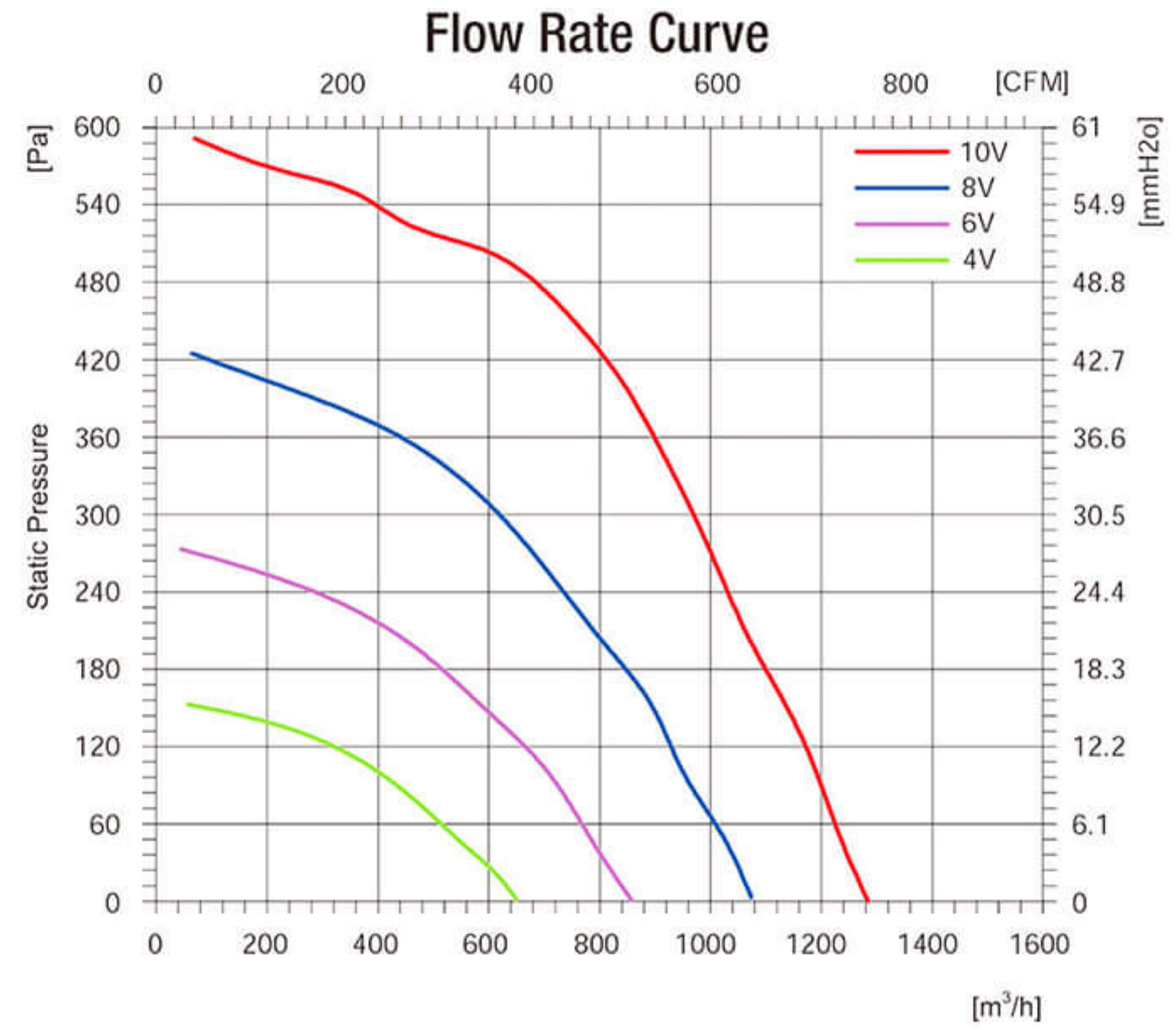
Product Characteristic

- Motor technology: EC Outer rotor
- Supply voltage: 1~, 200-277V, 50/60Hz
- Mode of Operation: S1
- Protection Class: IP54
- Insulation Class: F
- Bearings: Maintenance-free ball bearings
- Impeller Type: Backward curved
- Impeller Material: Plastic
- Rotation: C.C.W, seen on the leads
- Perm.amb.temp.: -25°C ~ +50°C
- Controller Integrated, 0-10V or PWM Control



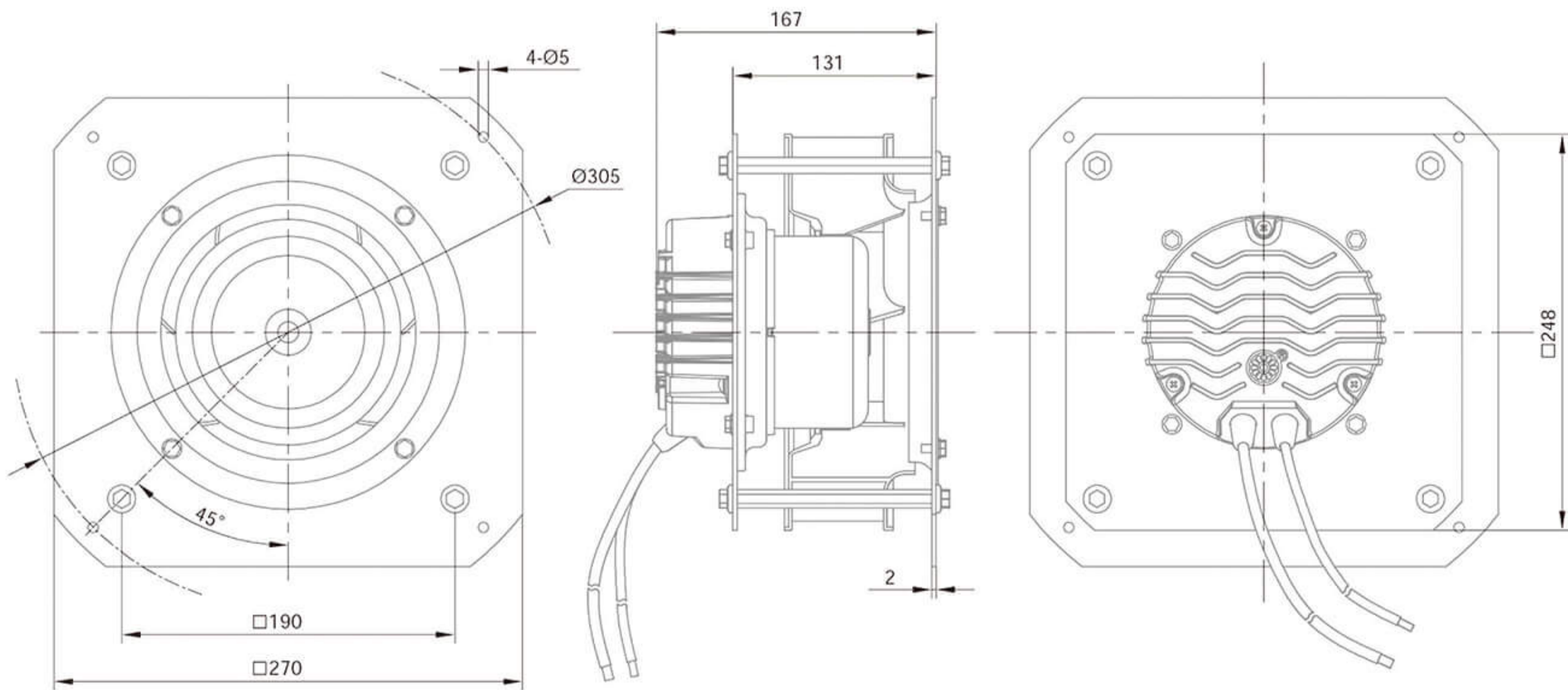
| Model | Voltage (V) | Frequency (Hz) | Input Power (W) | Current (A) | Air Volume (m³/h) | Speed (r/min) | Noise [dB(A)] | Max Environmental Temperature(°C) | Weight (Kg) |
|--------------------|-------------|----------------|-----------------|-------------|-------------------|---------------|---------------|-----------------------------------|-------------|
| BMF- 4E225-PLHDAL3 | 230 | 50/60 | 95 | 0.8 | 1025 | 2500 | 65 | 50 | 3.2 |

EC Centrifugal Plug Fans $\Phi 225$



Product Characteristic

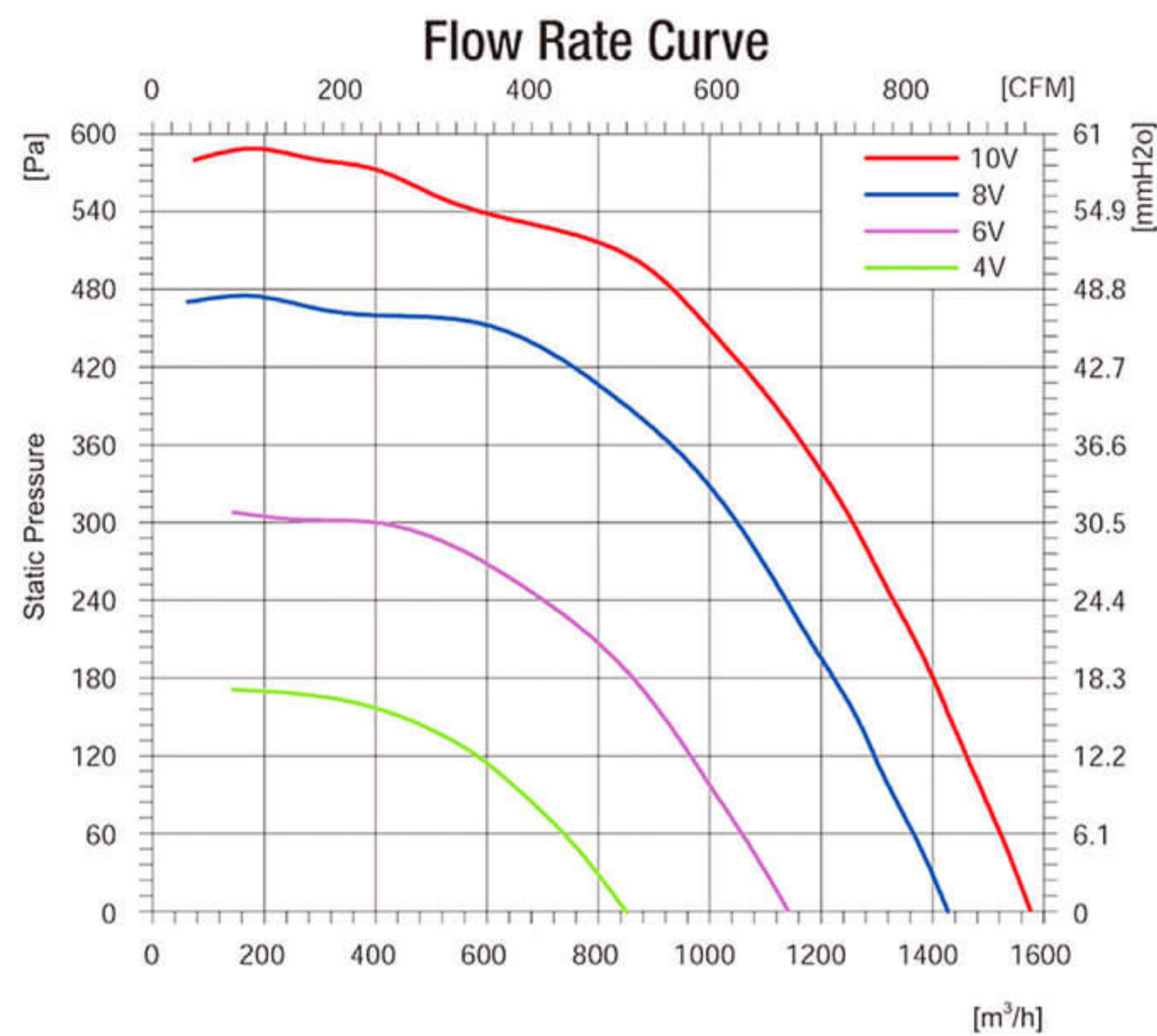
- Motor technology: EC Outer rotor
- Supply voltage: 1~, 200-277V, 50/60Hz
- Mode of Operation: S1
- Protection Class: IP54
- Insulation Class: F
- Bearings: Maintenance-free ball bearings
- Impeller Type: Backward curved
- Impeller Material: Plastic
- Rotation: C.C.W, seen on the leads
- Perm.amb.temp.: -25°C ~ +50°C
- Controller Integrated, 0-10V or PWM Control



| Model | Voltage (V) | Frequency (Hz) | Input Power (W) | Current (A) | Air Volume (m³/h) | Speed (r/min) | Noise [dB(A)] | Max Environmental Temperature(°C) | Weight (Kg) |
|--------------------|-------------|----------------|-----------------|-------------|-------------------|---------------|---------------|-----------------------------------|-------------|
| BMF- 6E225-PLHDAL1 | 230 | 50/60 | 210 | 1.6 | 1280 | 3000 | 68 | 50 | 4.1 |

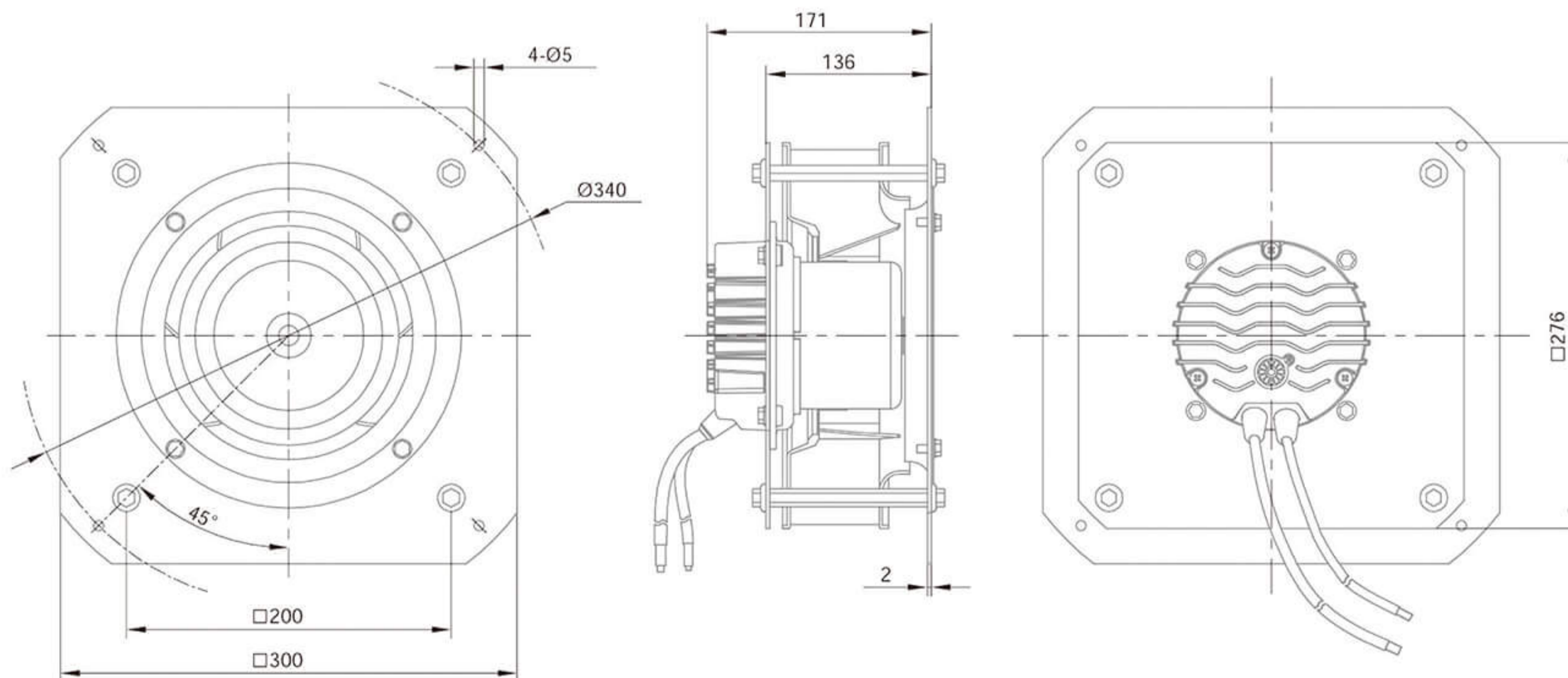
EC Centrifugal Plug Fans $\Phi 250$

ErP
2015



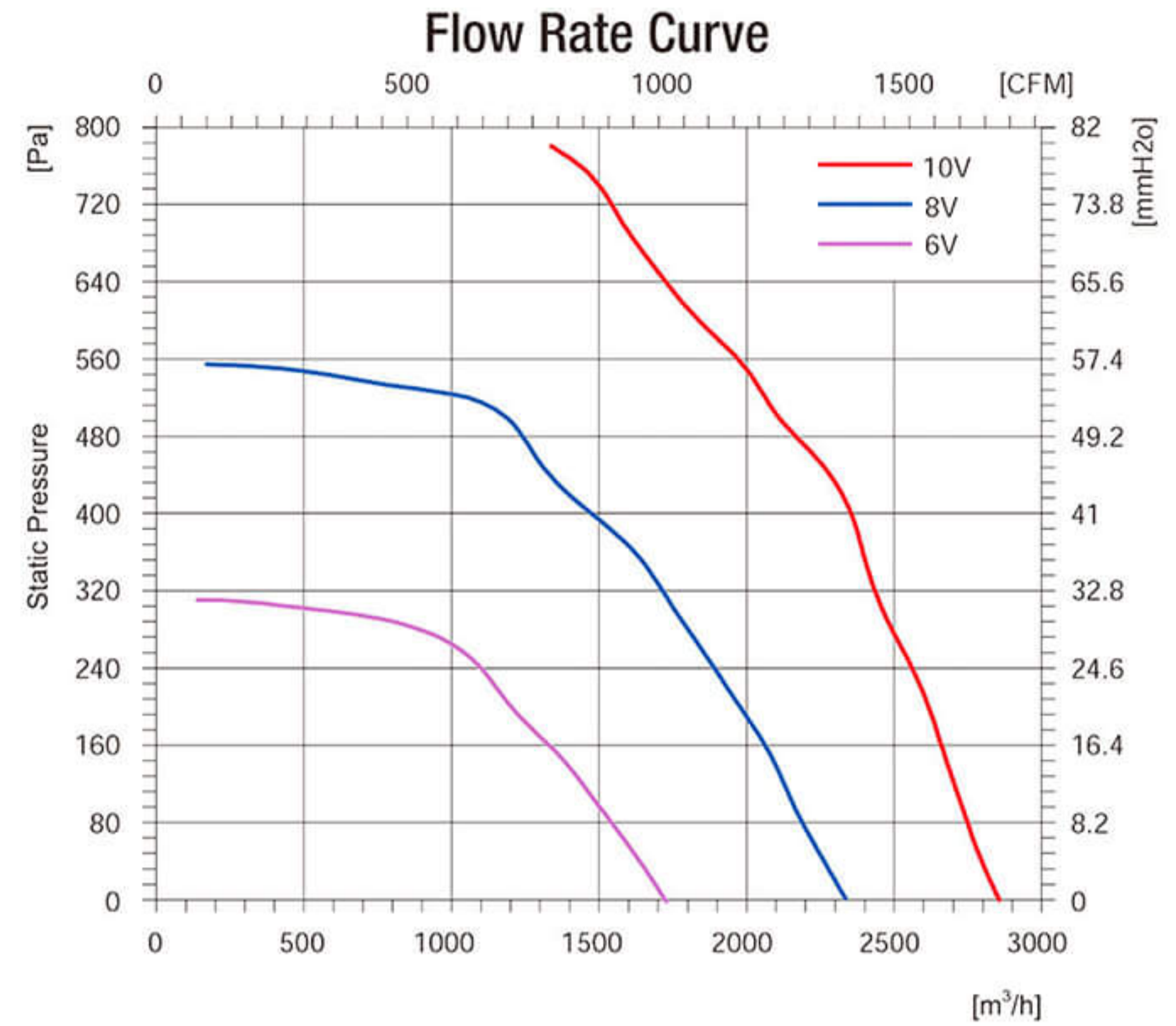
Product Characteristic

Motor technology: EC Outer rotor
 Supply voltage: 1~, 200-277V, 50/60Hz
 Mode of Operation: S1
 Protection Class: IP54
 Insulation Class: F
 Bearings: Maintenance-free ball bearings
 Impeller Type: Backward curved
 Impeller Material: Galvanised iron
 Rotation: C.C.W, seen on the leads
 Perm.amb.temp.: -25°C ~ +50°C
 Controller Integrated, 0-10V or PWM Control



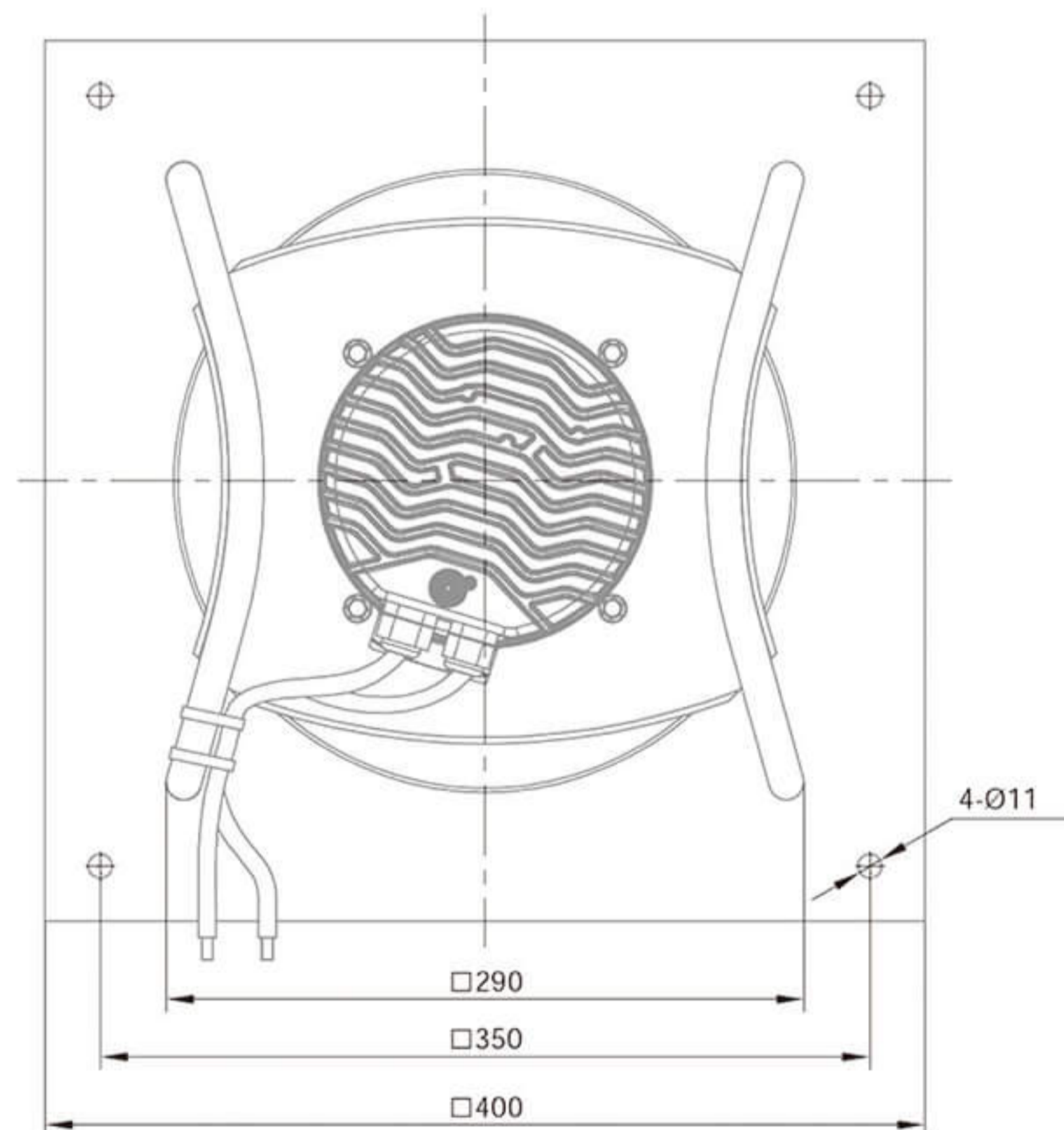
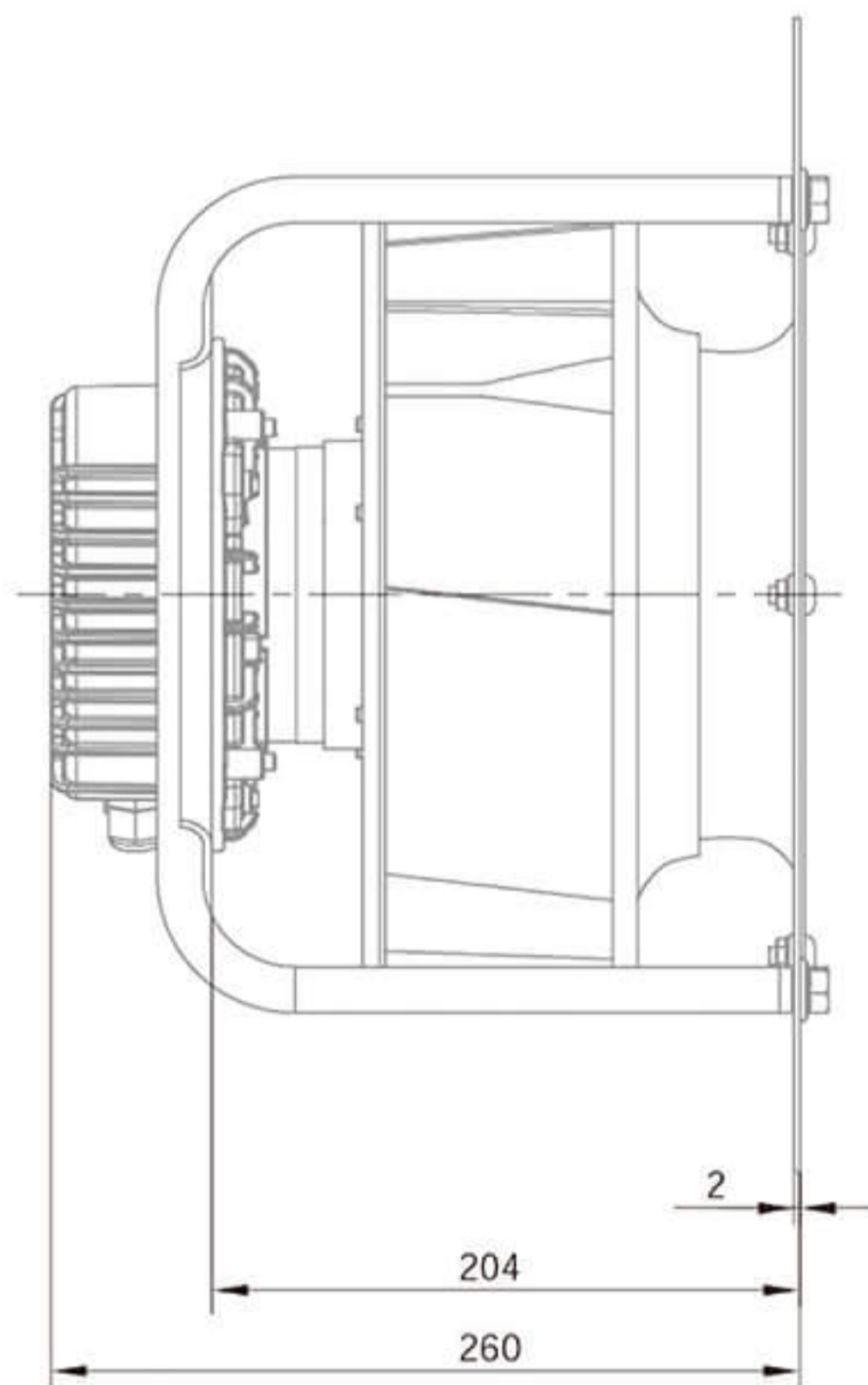
| Model | Voltage (V) | Frequency (Hz) | Input Power (W) | Current (A) | Air Volume (m³/h) | Speed (r/min) | Noise [dB(A)] | Max Environmental Temperature(°C) | Weight (Kg) |
|-------------------|-------------|----------------|-----------------|-------------|-------------------|---------------|---------------|-----------------------------------|-------------|
| BMF-6E250-PLHDAL0 | 230 | 50/60 | 270 | 1.8 | 1550 | 2800 | 72 | 50 | 5.4 |

EC Centrifugal Plug Fans $\Phi 250$



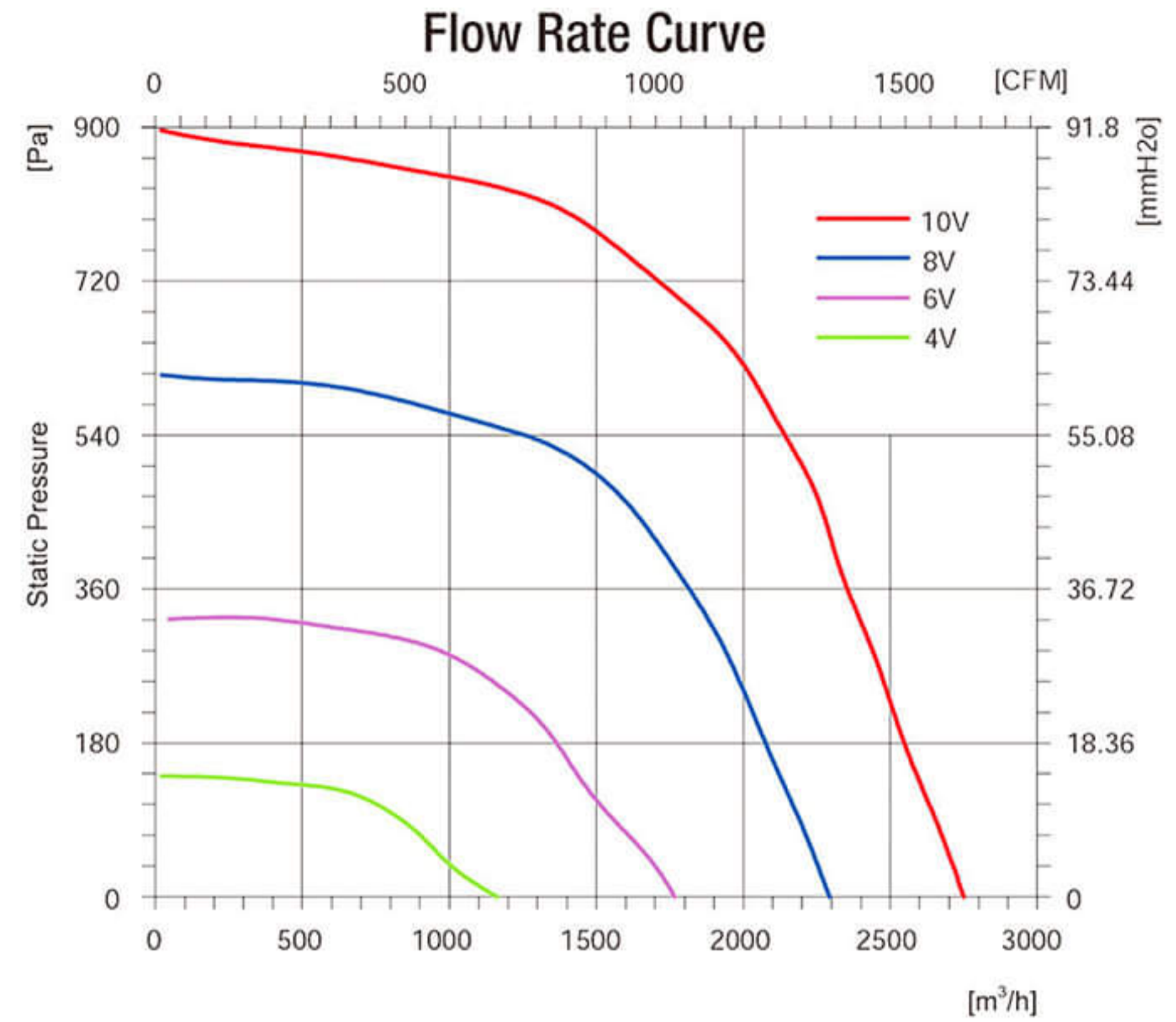
Product Characteristic

- Motor technology: EC Outer rotor
- Supply voltage: 1~, 200-277V, 50/60Hz
- Mode of Operation: S1
- Protection Class: IP54
- Insulation Class: F
- Bearings: Maintenance-free ball bearings
- Impeller Type: Backward curved
- Impeller Material: Sheet aluminium
- Rotation: C.C.W, seen on the leads
- Perm.amb.temp.: -25°C ~ +50°C
- Controller Integrated, 0-10V or PWM Control



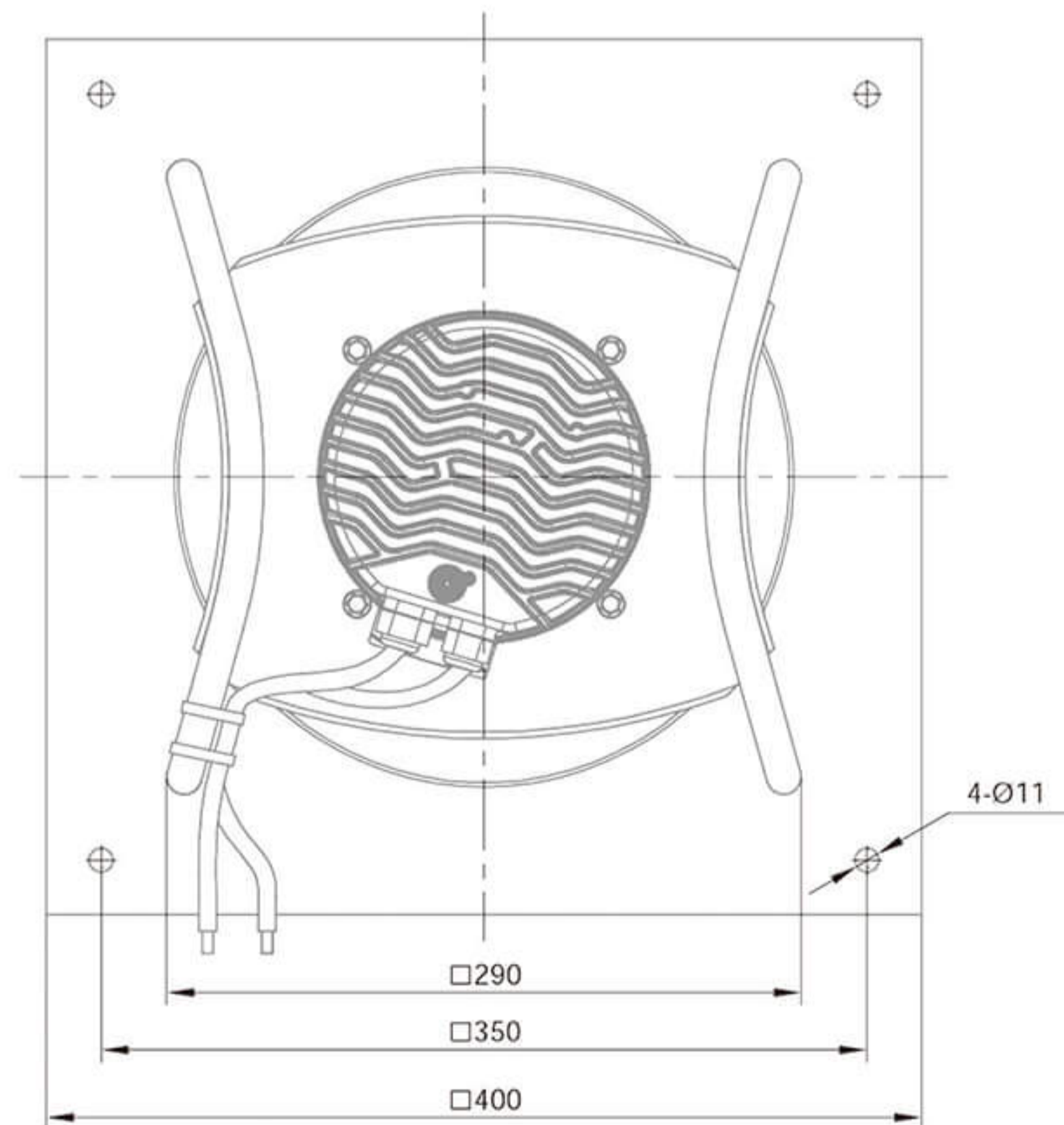
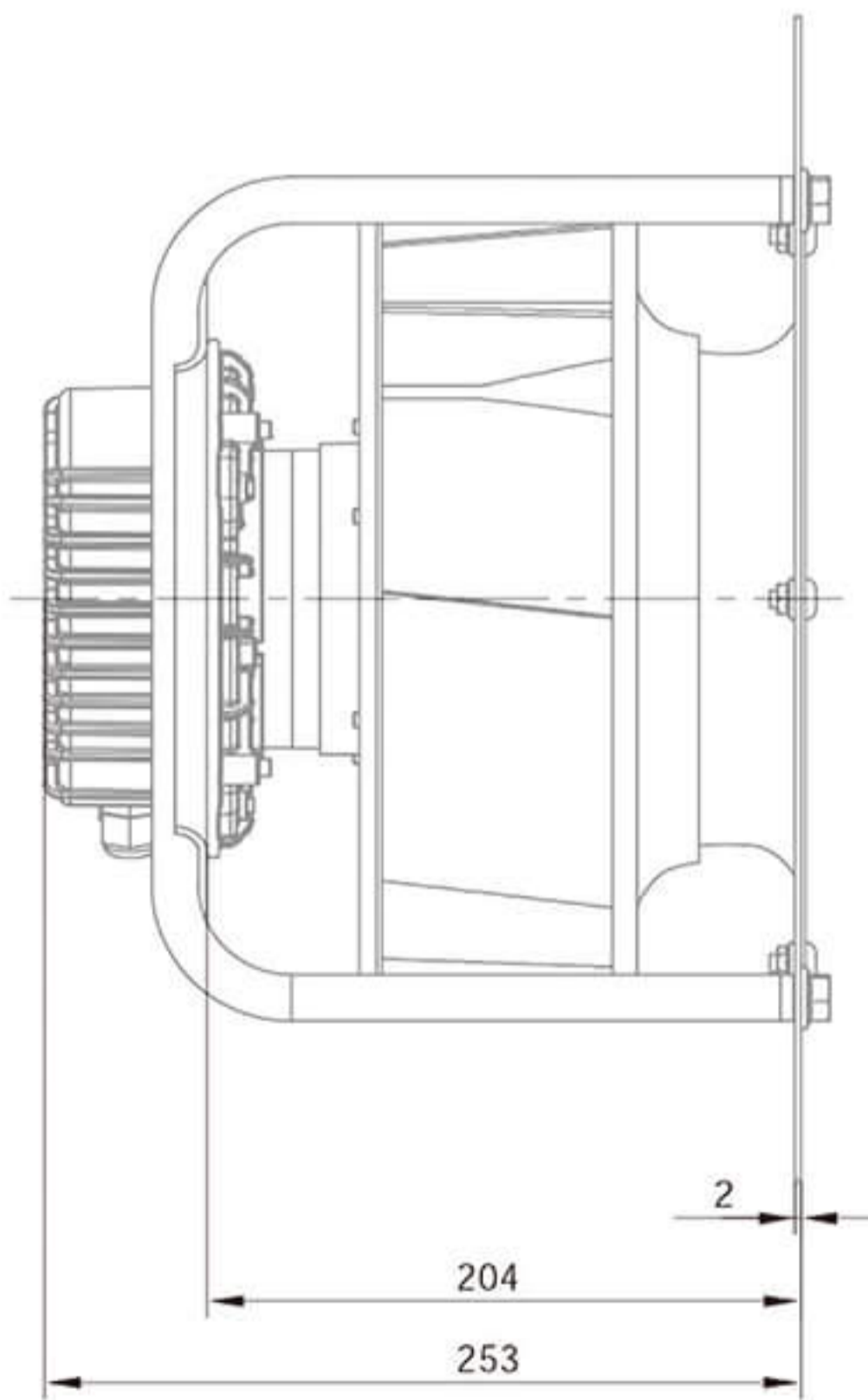
| Model | Voltage (V) | Frequency (Hz) | Input Power (W) | Current (A) | Air Volume (m³/h) | Speed (r/min) | Noise [dB(A)] | Max Environmental Temperature(°C) | Weight (Kg) |
|--------------------|-------------|----------------|-----------------|-------------|-------------------|---------------|---------------|-----------------------------------|-------------|
| BMF- 6E250-PLHDAL1 | 230 | 50/60 | 540 | 2.38 | 2850 | 3100 | 74 | 50 | 9.7 |

EC Centrifugal Plug Fans $\Phi 250$



Product Characteristic

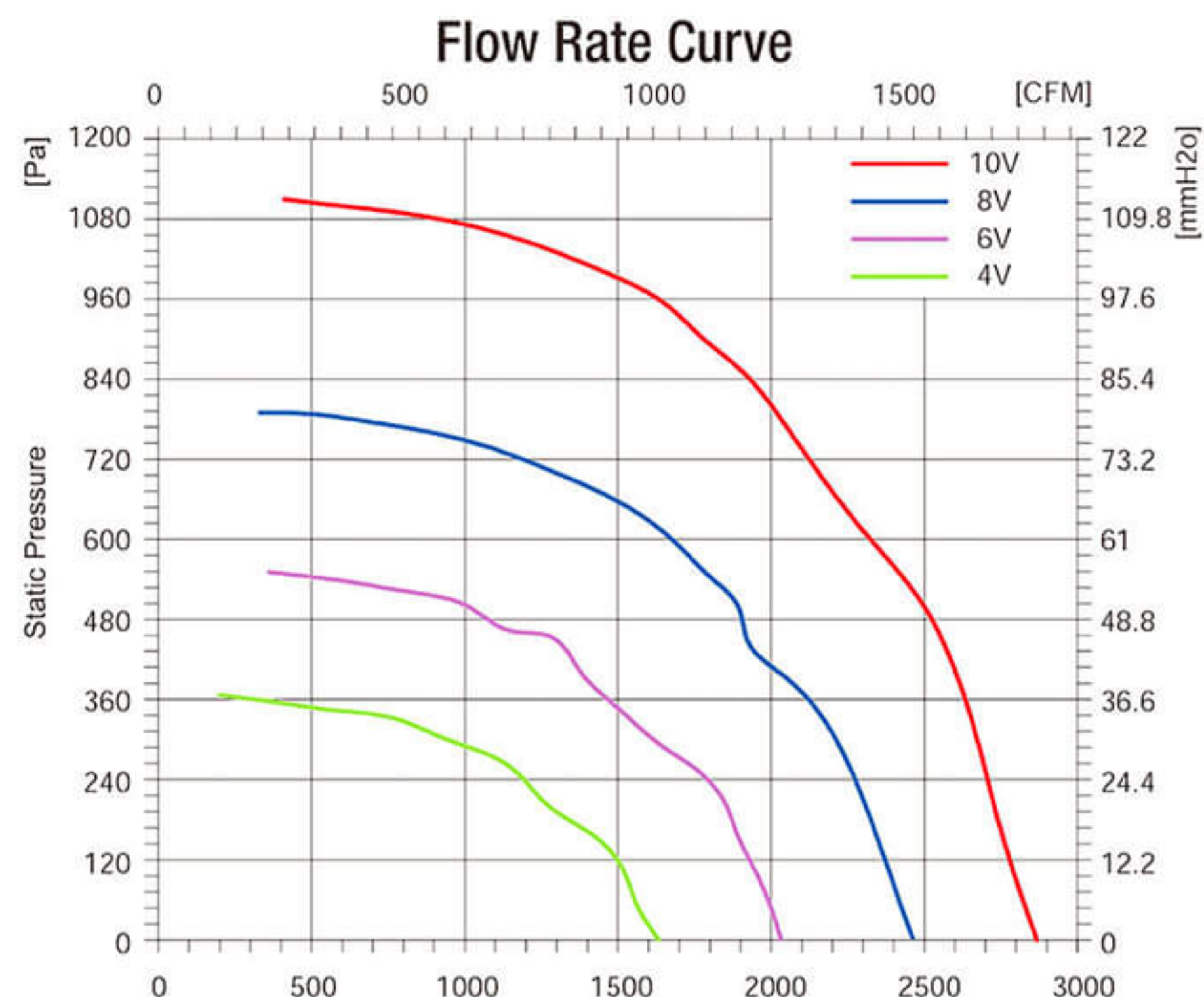
- Motor technology: EC Outer rotor
- Supply voltage: 1~, 200-277V, 50/60Hz
- Mode of Operation: S1
- Protection Class: IP54
- Insulation Class: F
- Bearings: Maintenance-free ball bearings
- Impeller Type: Backward curved
- Impeller Material: Sheet aluminium
- Rotation: C.C.W, seen on the leads
- Perm.amb.temp.: -25°C ~ +50°C
- Controller Integrated, 0-10V or PWM Control



| Model | Voltage (V) | Frequency (Hz) | Input Power (W) | Current (A) | Air Volume (m³/h) | Speed (r/min) | Noise [dB(A)] | Max Environmental Temperature(°C) | Weight (Kg) |
|--------------------|-------------|----------------|-----------------|-------------|-------------------|---------------|---------------|-----------------------------------|-------------|
| BMF- 6E250-PLHDAL2 | 230 | 50/60 | 598 | 4.55 | 2750 | 3100 | 76 | 50 | 9.7 |

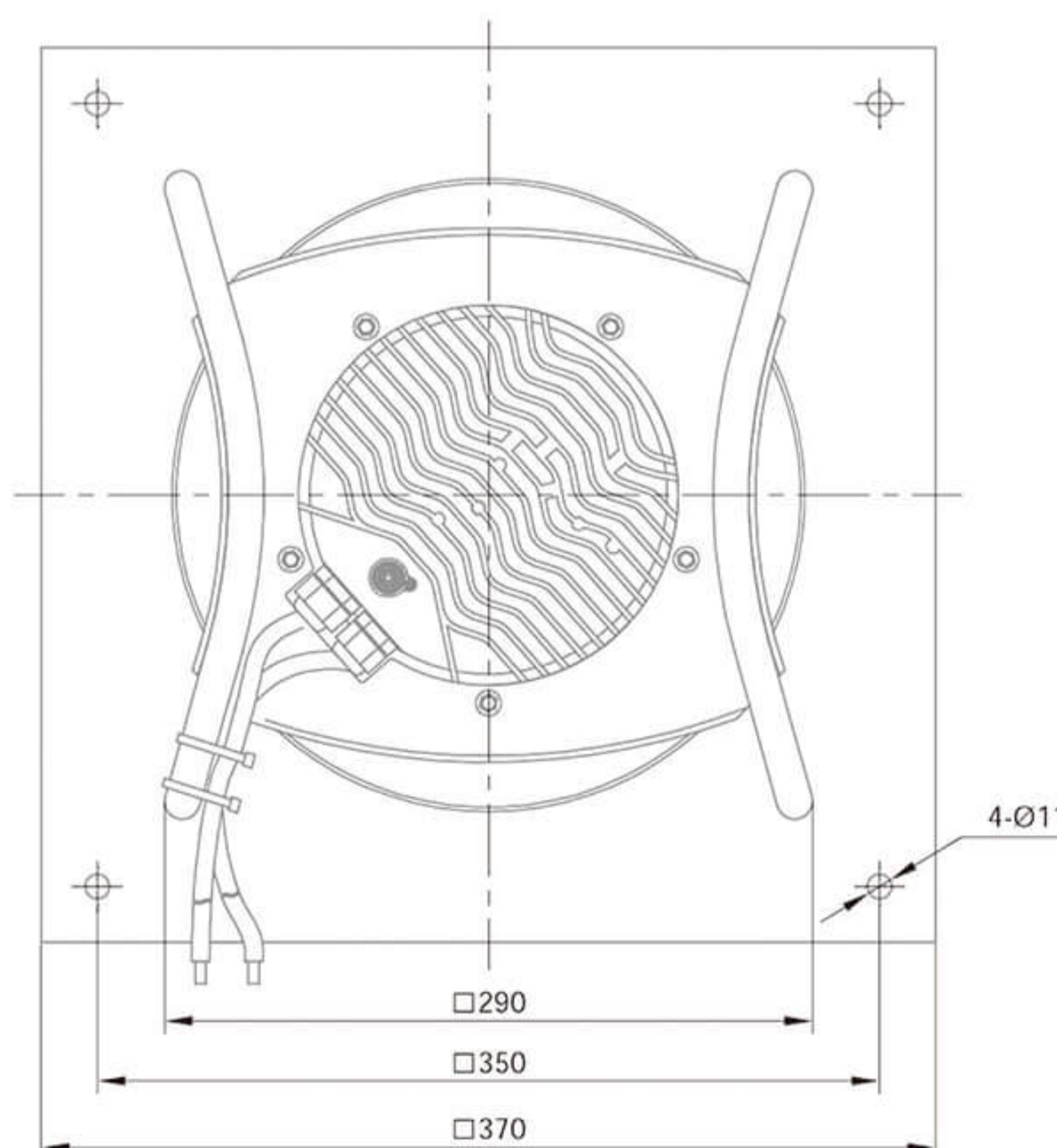
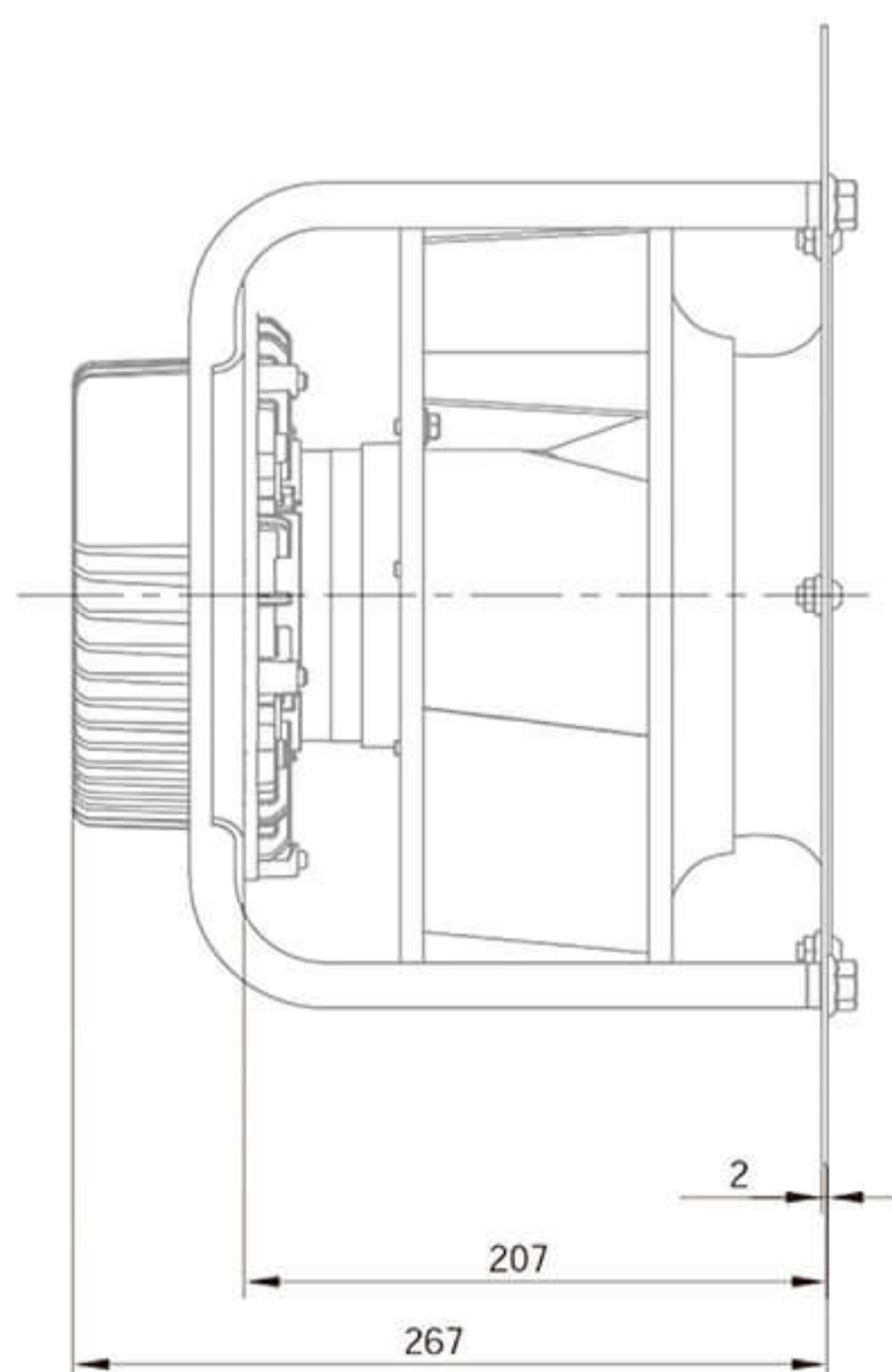
EC Centrifugal Plug Fans $\Phi 250$

ErP
2020



Product Characteristic

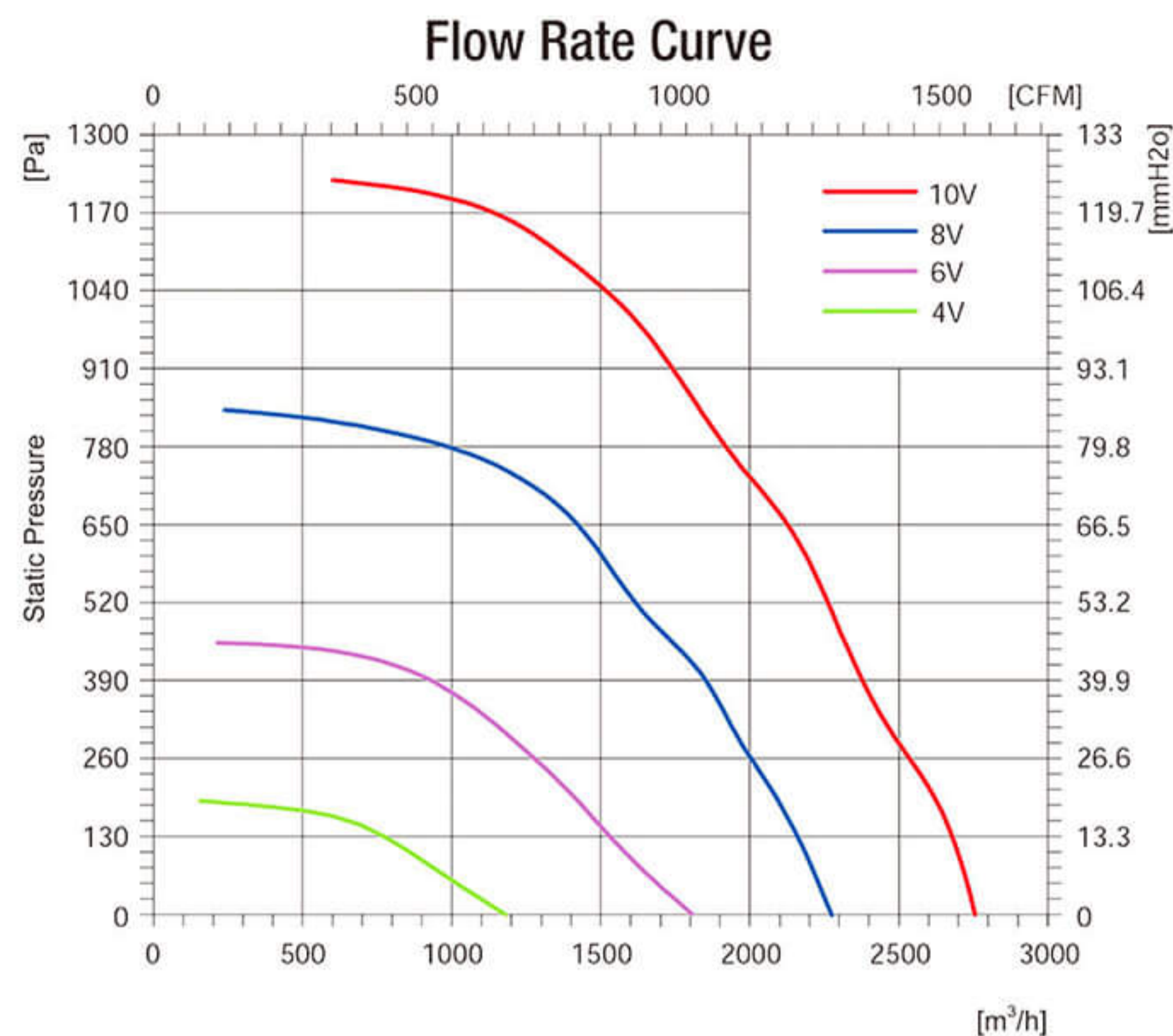
Motor technology: EC Outer rotor
 Supply voltage: 1~, 200-277V, 50/60Hz
 Mode of Operation: S1
 Protection Class: IP54
 Insulation Class: F
 Bearings: Maintenance-free ball bearings
 Impeller Type: Backward curved
 Impeller Material: Sheet aluminium
 Rotation: C.C.W, seen on the leads
 Perm.amb.temp.: -25°C ~ +50°C
 Controller Integrated, 0-10V or PWM Control



| Model | Voltage (V) | Frequency (Hz) | Input Power (W) | Current (A) | Air Volume (m ³ /h) | Speed (r/min) | Noise [dB(A)] | Max Environmental Temperature(°C) | Weight (Kg) |
|--------------------|-------------|----------------|-----------------|-------------|--------------------------------|---------------|---------------|-----------------------------------|-------------|
| BMF-3E250-PLHDAL10 | 230 | 50/60 | 803 | 3.47 | 2900 | 3530 | 75 | 50 | 11.7 |

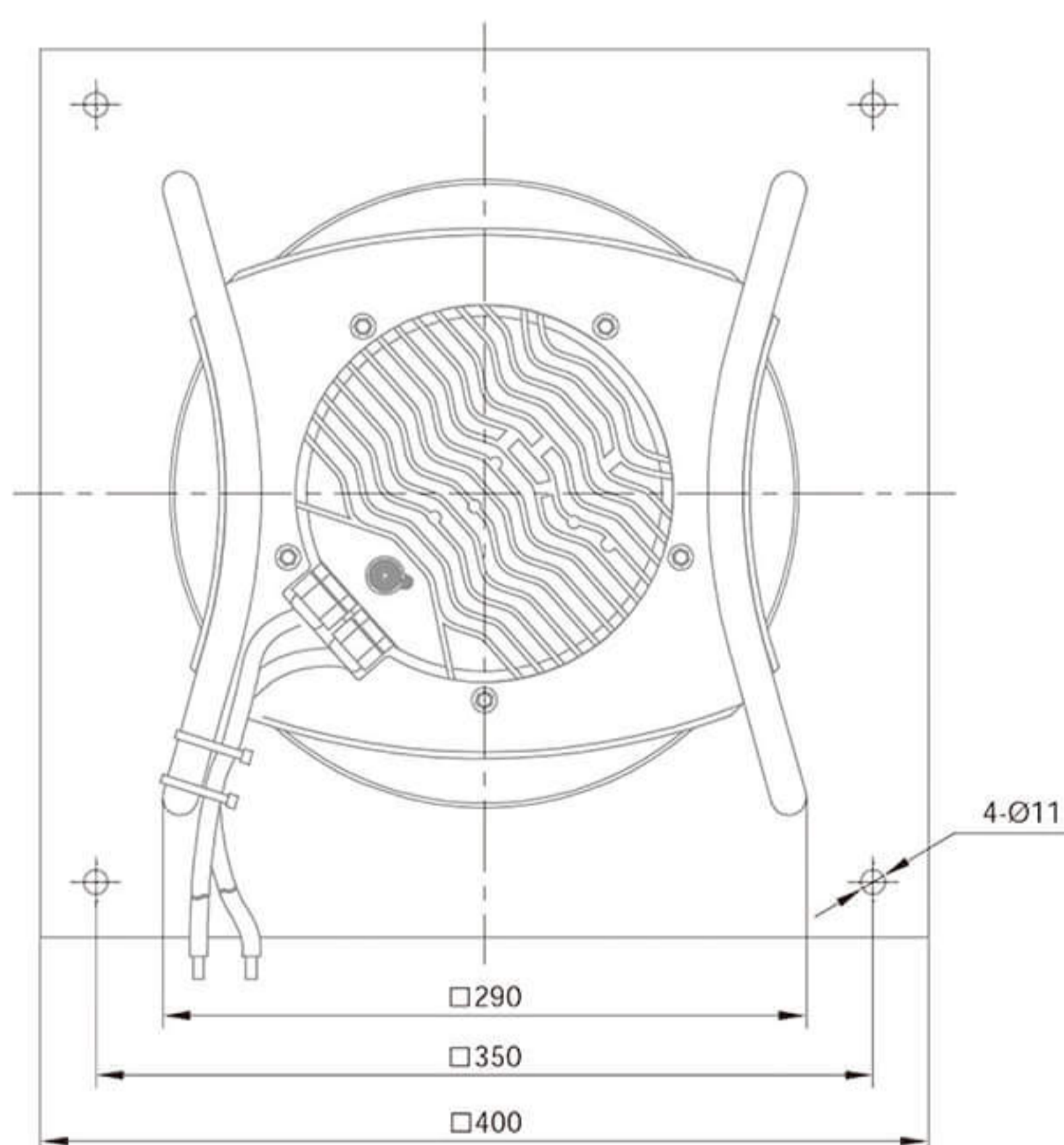
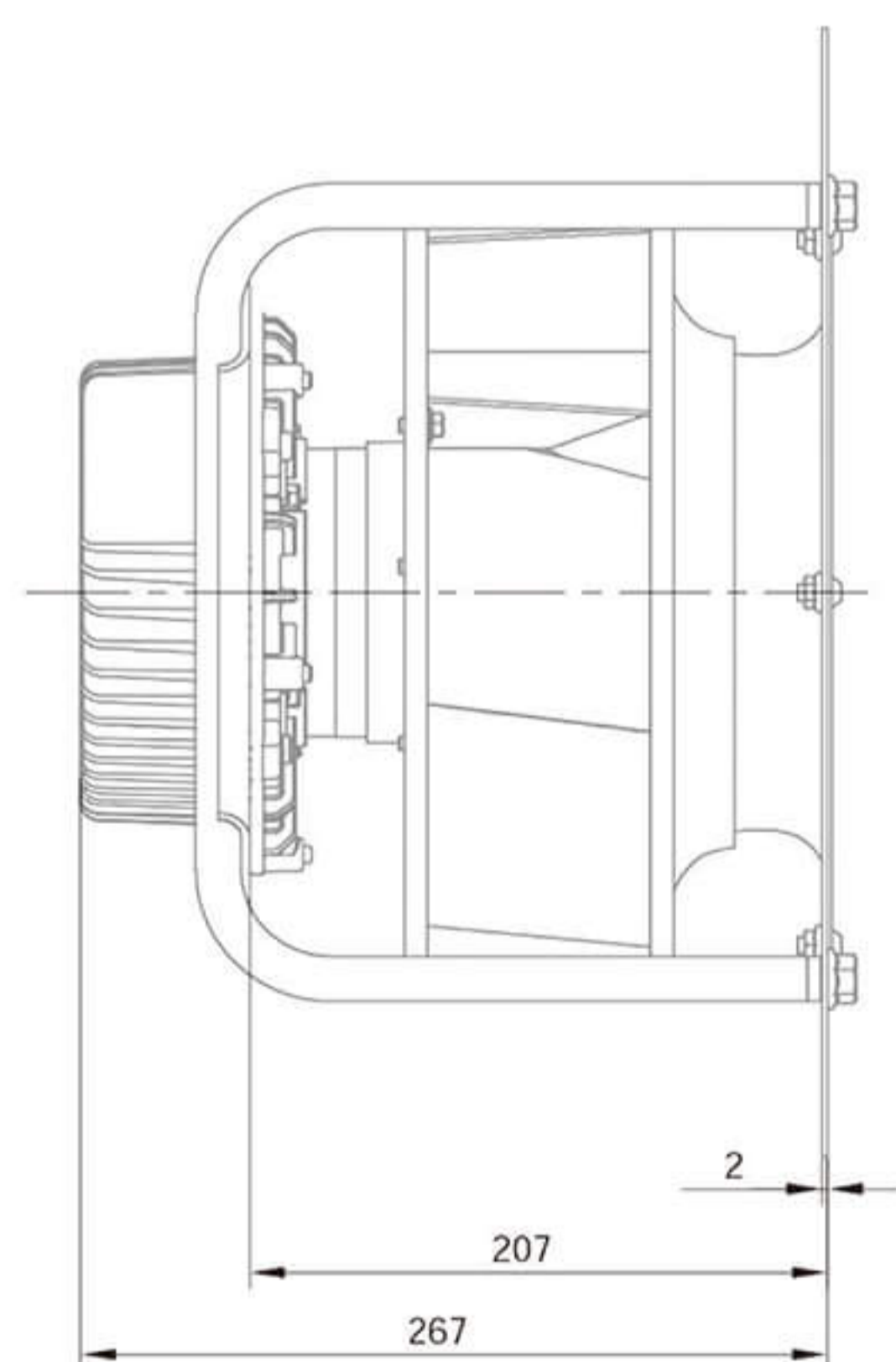
EC Centrifugal Plug Fans $\Phi 250$

ErP
2020



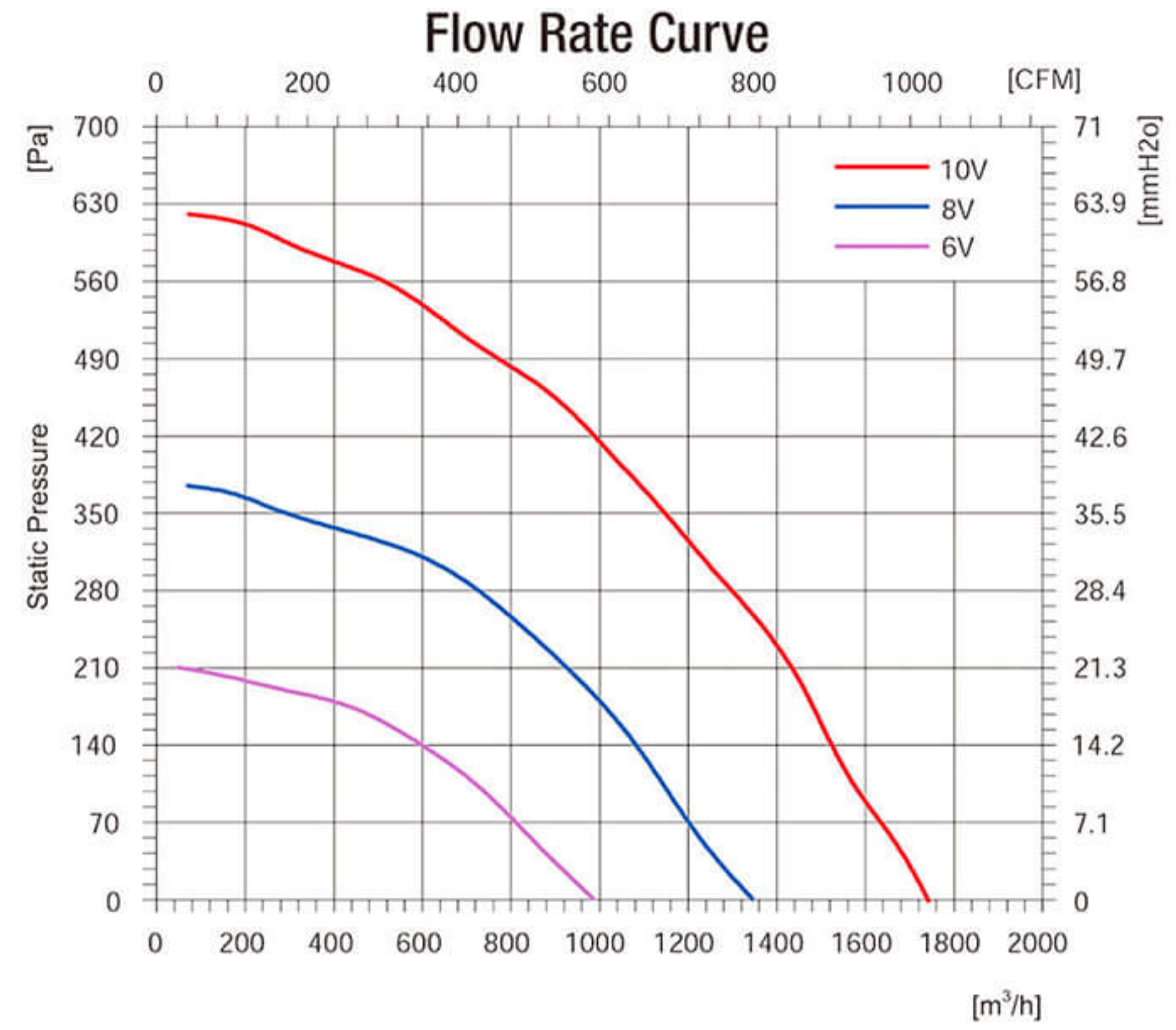
Product Characteristic

Motor technology: EC Outer rotor
 Supply voltage: 3~, 380-480V, 50/60Hz
 Mode of Operation: S1
 Protection Class: IP54
 Insulation Class: F
 Bearings: Maintenance-free ball bearings
 Impeller Type: Backward curved
 Impeller Material: Sheet aluminium
 Rotation: C.C.W, seen on the leads
 Perm.amb.temp.: -25°C ~ +50°C
 Controller Integrated, 0-10V or PWM Control



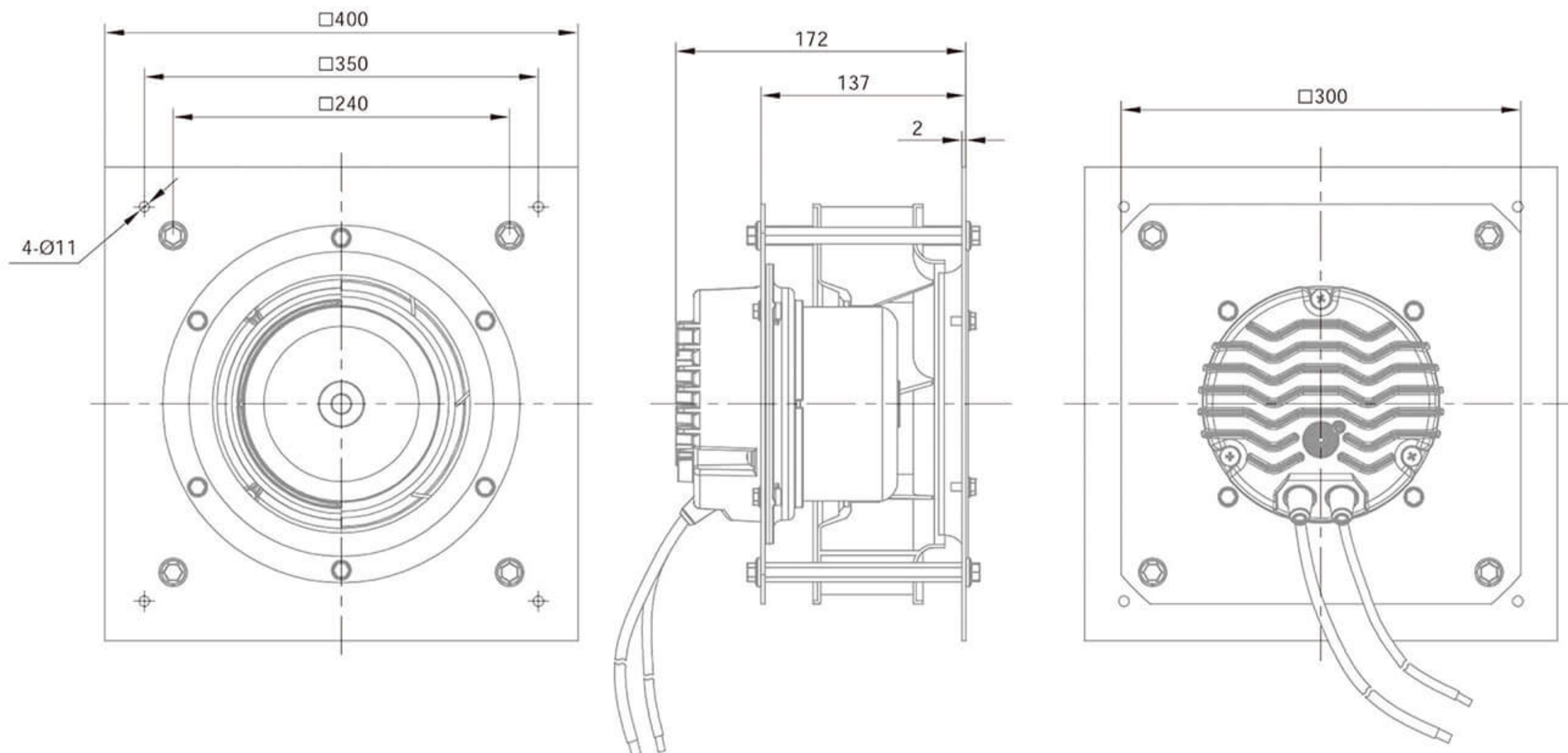
| Model | Voltage (V) | Frequency (Hz) | Input Power (W) | Current (A) | Air Volume (m³/h) | Speed (r/min) | Noise [dB(A)] | Max Environmental Temperature(°C) | Weight (Kg) |
|--------------------|-------------|----------------|-----------------|-------------|-------------------|---------------|---------------|-----------------------------------|-------------|
| BMF- 6D250-PLHDAL1 | 400 | 50/60 | 840 | 1.4 | 2850 | 3750 | 75 | 50 | 12.0 |

EC Centrifugal Plug Fans $\Phi 280$



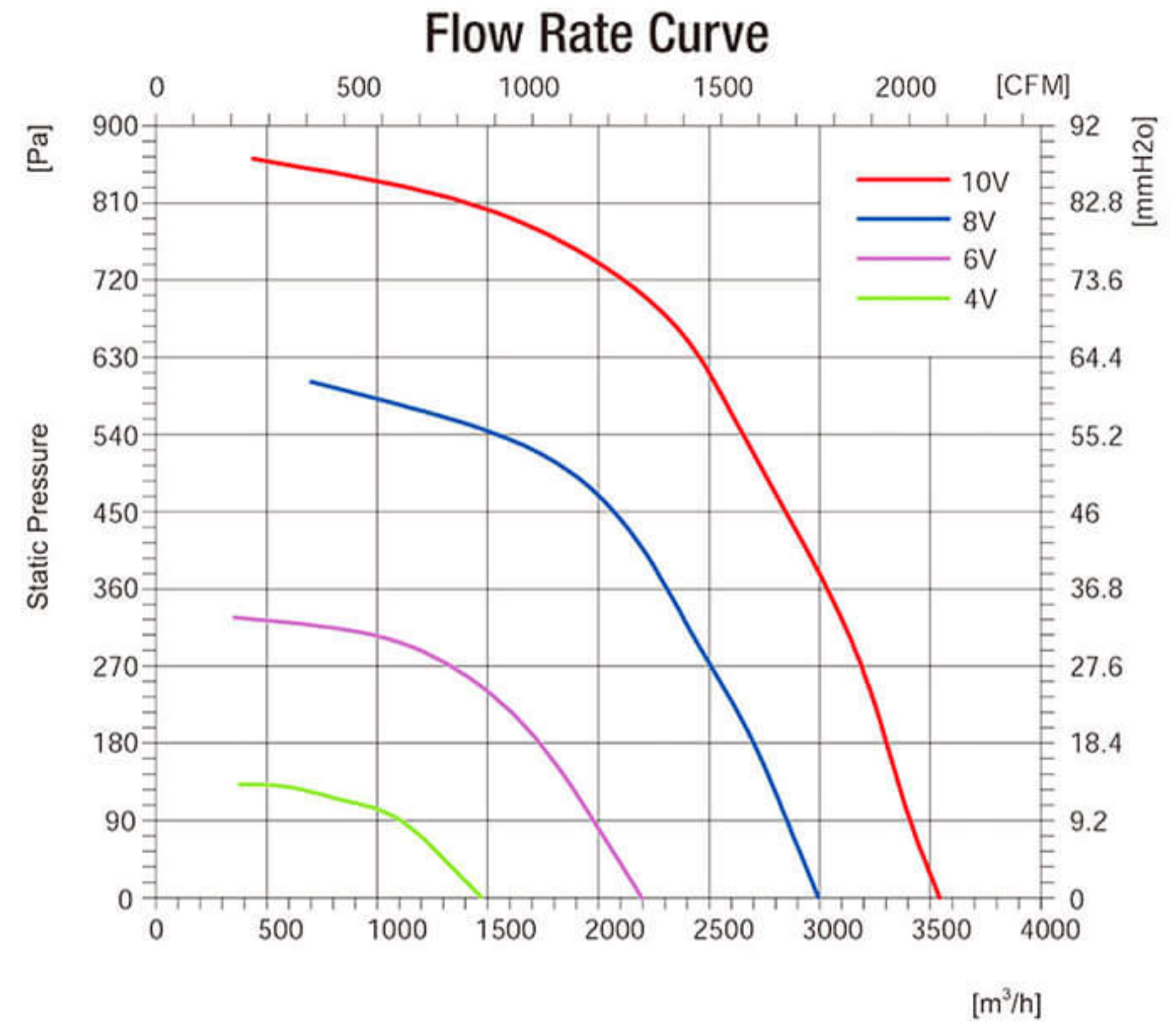
Product Characteristic

- Motor technology: EC Outer rotor
- Supply voltage: 1~, 200-277V, 50/60Hz
- Mode of Operation: S1
- Protection Class: IP54
- Insulation Class: F
- Bearings: Maintenance-free ball bearings
- Impeller Type: Backward curved
- Impeller Material: Galvanised iron
- Rotation: C.C.W, seen on the leads
- Perm.amb.temp.: -25°C ~ +50°C
- Controller Integrated, 0-10V or PWM Control



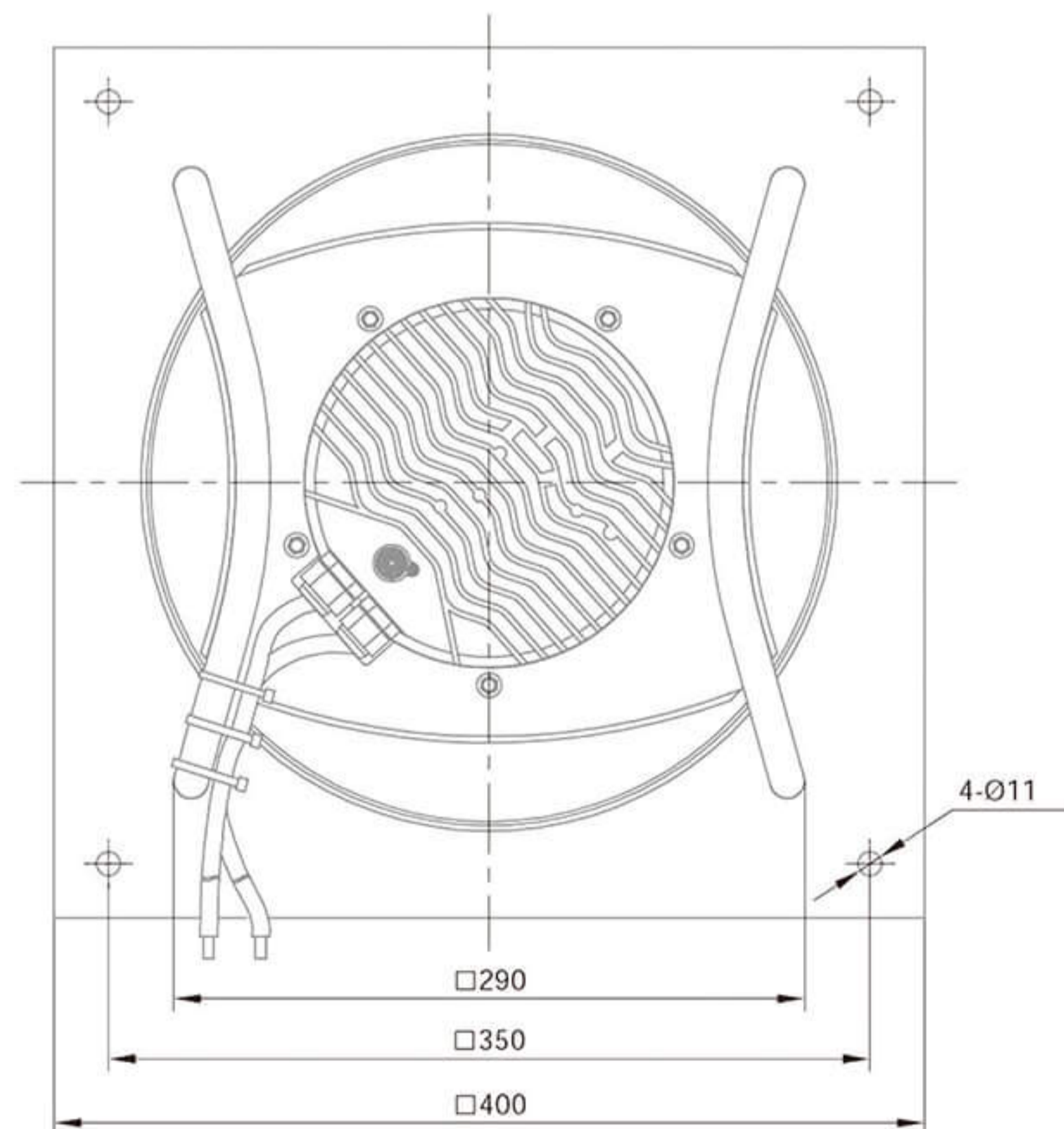
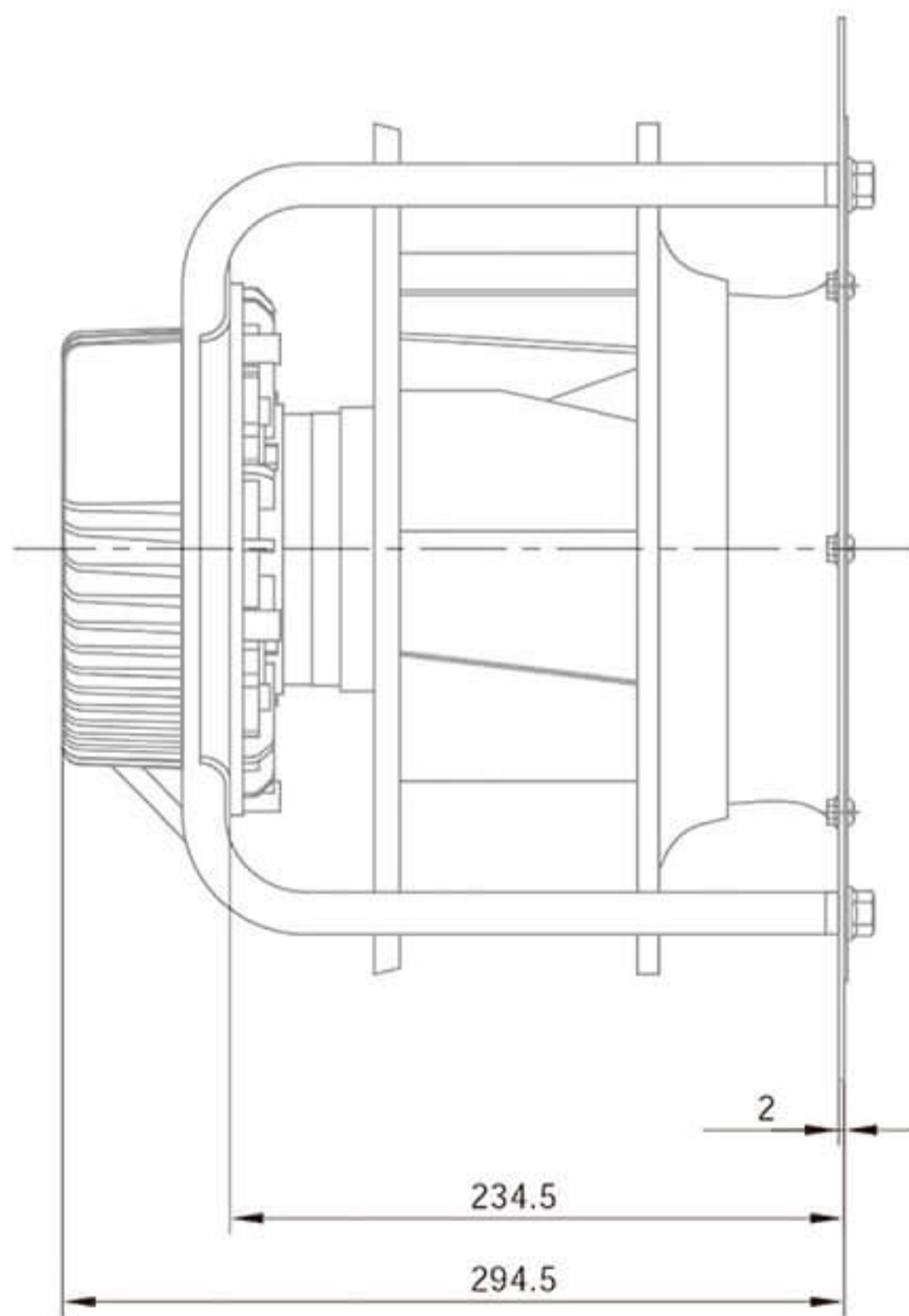
| Model | Voltage (V) | Frequency (Hz) | Input Power (W) | Current (A) | Air Volume (m³/h) | Speed (r/min) | Noise [dB(A)] | Max Environmental Temperature(°C) | Weight (Kg) |
|--------------------|-------------|----------------|-----------------|-------------|-------------------|---------------|---------------|-----------------------------------|-------------|
| BMF- 6E280-PLHDAL0 | 230 | 50/60 | 245 | 1.7 | 1700 | 2500 | 75 | 50 | 6.6 |

EC Centrifugal Plug Fans $\Phi 280$



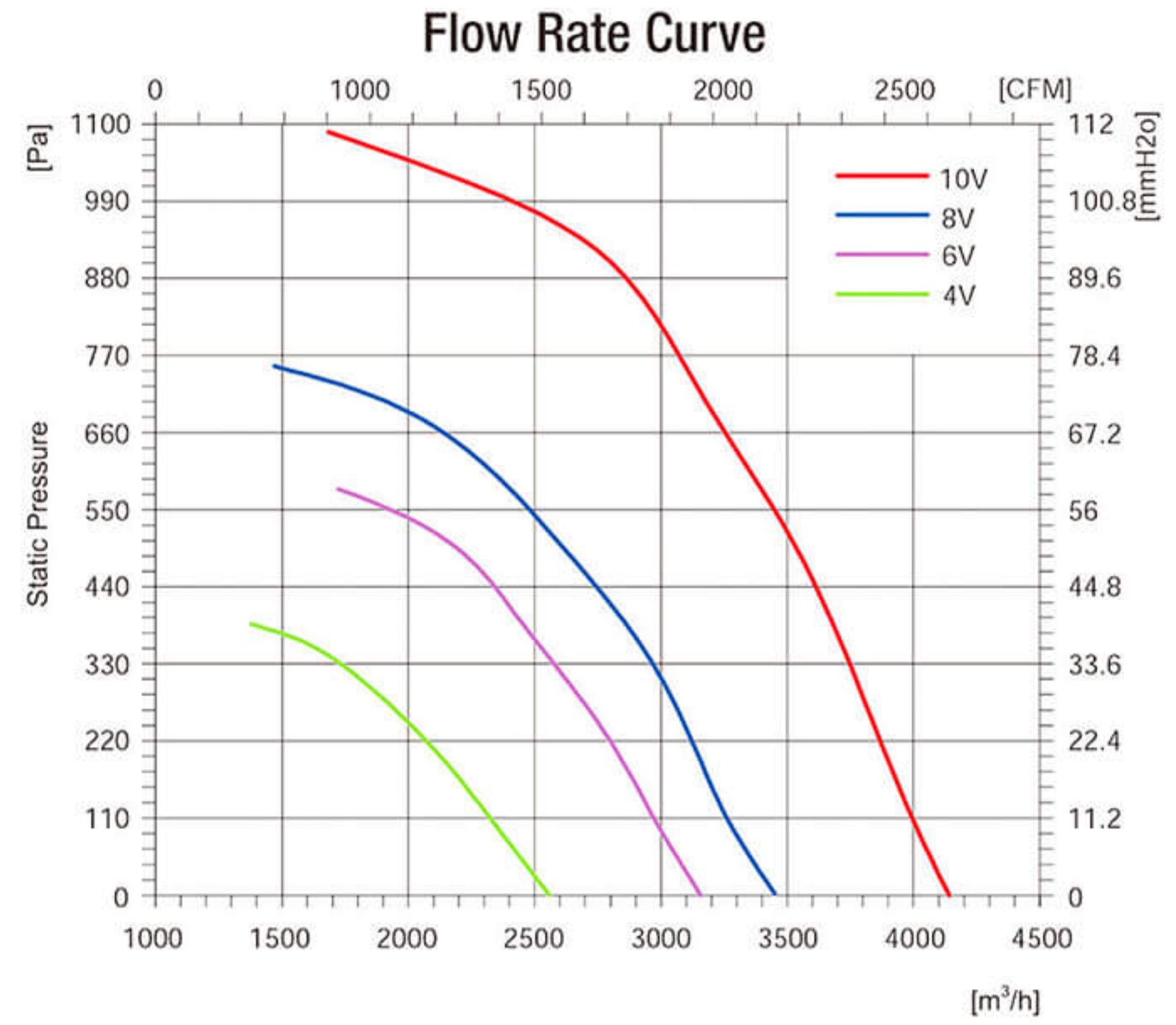
Product Characteristic

- Motor technology: EC Outer rotor
- Supply voltage: 1~, 200-277V, 50/60Hz
- Mode of Operation: S1
- Protection Class: IP54
- Insulation Class: F
- Bearings: Maintenance-free ball bearings
- Impeller Type: Backward curved
- Impeller Material: Sheet aluminium
- Rotation: C.C.W, seen on the leads
- Perm.amb.temp.: -25°C ~ +50°C
- Controller Integrated, 0-10V or PWM Control



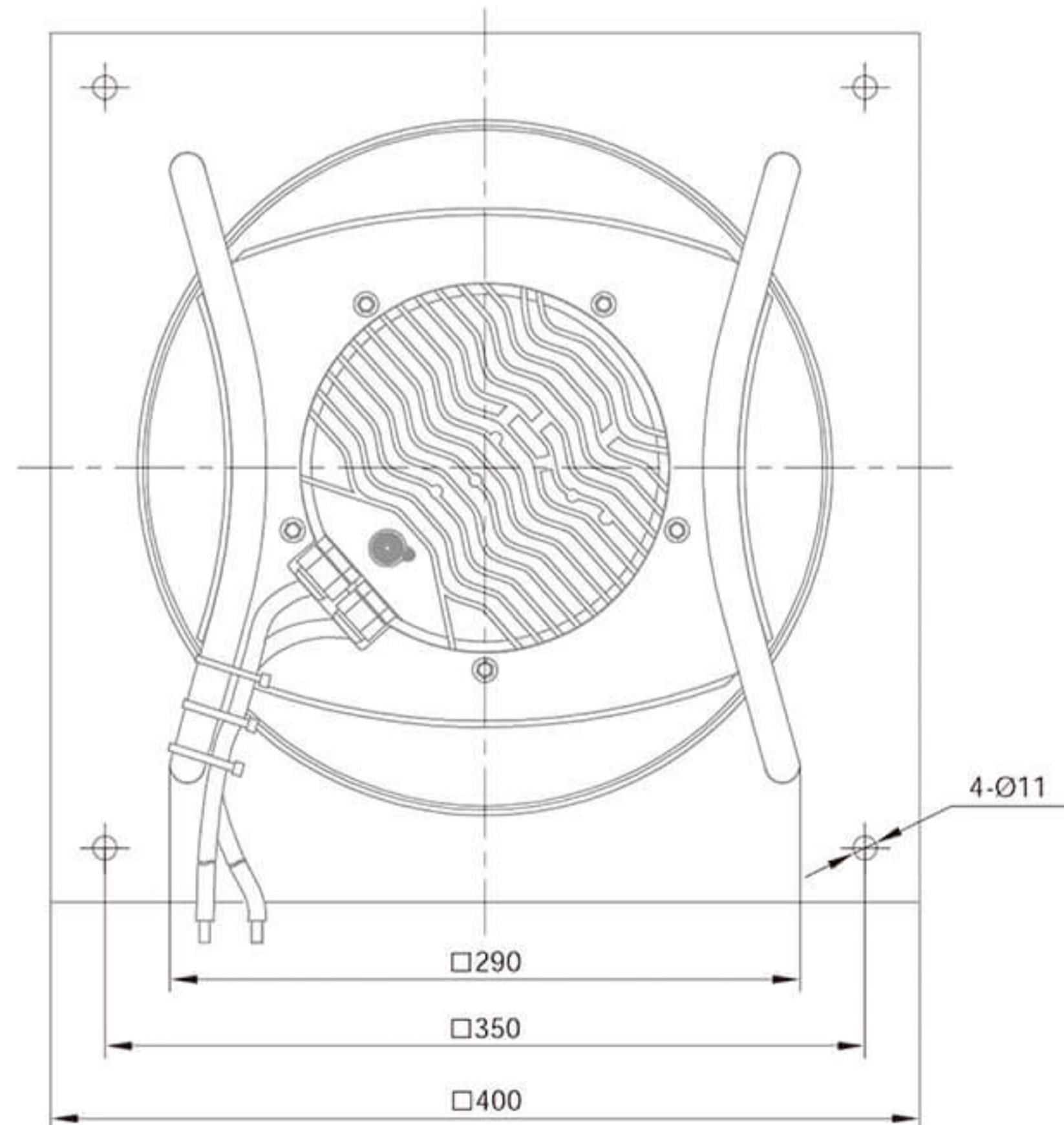
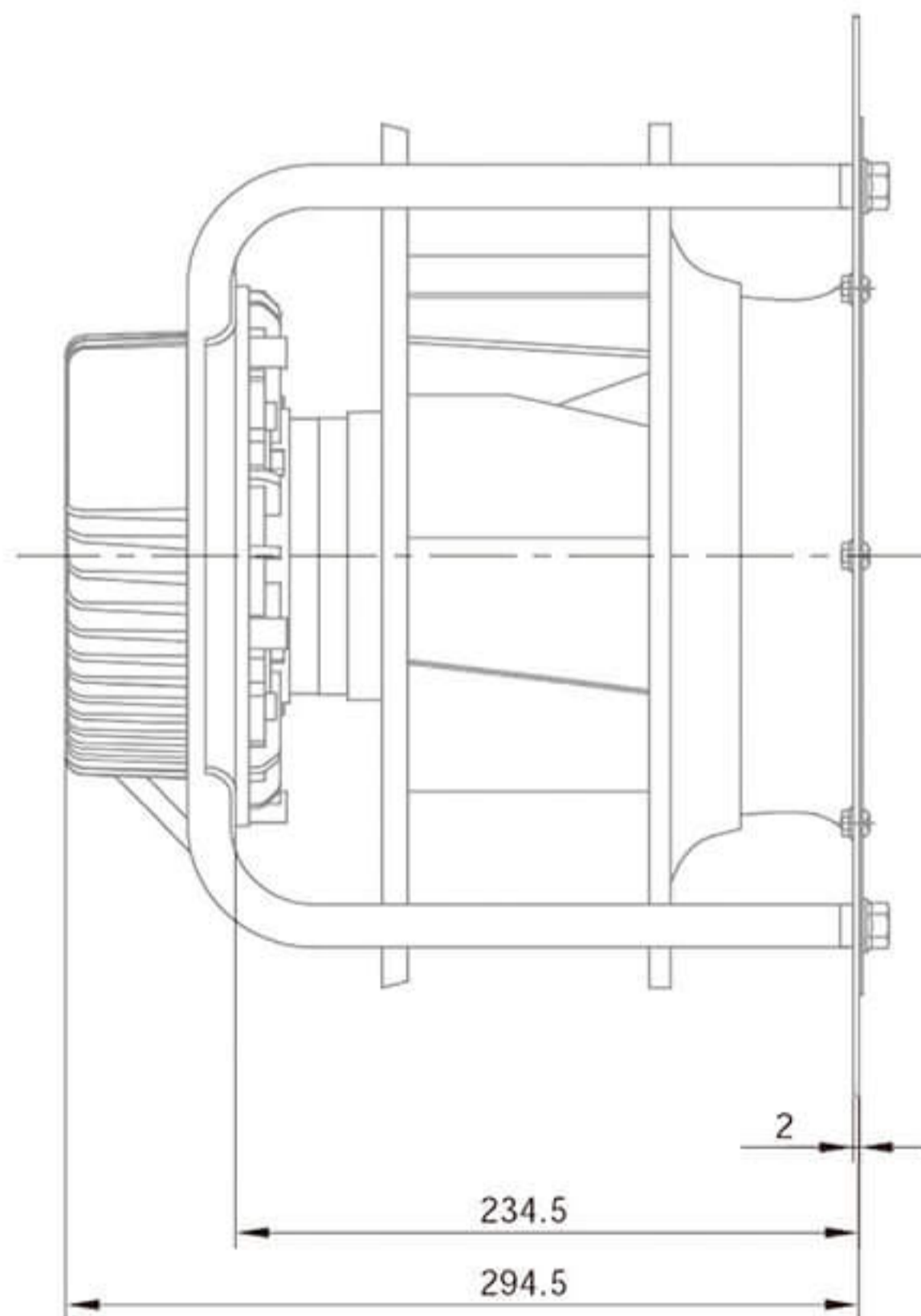
| Model | Voltage (V) | Frequency (Hz) | Input Power (W) | Current (A) | Air Volume (m³/h) | Speed (r/min) | Noise [dB(A)] | Max Environmental Temperature(°C) | Weight (Kg) |
|--------------------|-------------|----------------|-----------------|-------------|-------------------|---------------|---------------|-----------------------------------|-------------|
| BMF- 6E280-PLHDAL1 | 230 | 50/60 | 745 | 5.43 | 3500 | 2800 | 83 | 50 | 12.0 |

EC Centrifugal Plug Fans $\Phi 280$



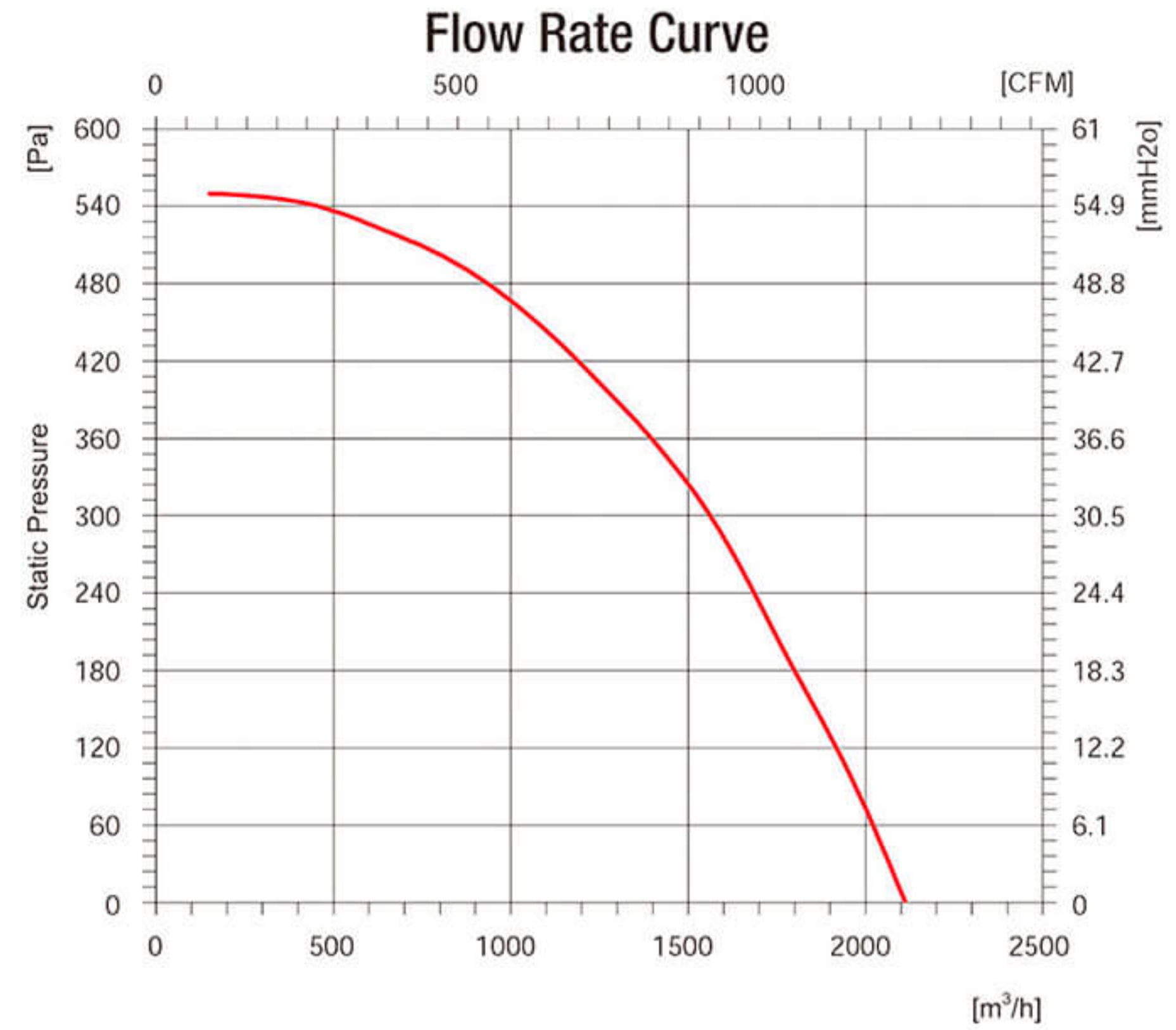
Product Characteristic

- Motor technology: EC Outer rotor
- Supply voltage: 3~, 380-480V, 50/60Hz
- Mode of Operation: S1
- Protection Class: IP54
- Insulation Class: F
- Bearings: Maintenance-free ball bearings
- Impeller Type: Backward curved
- Impeller Material: Sheet aluminium
- Rotation: C.C.W, seen on the leads
- Perm.amb.temp.: -25°C ~ +50°C
- Controller Integrated, 0-10V or PWM Control



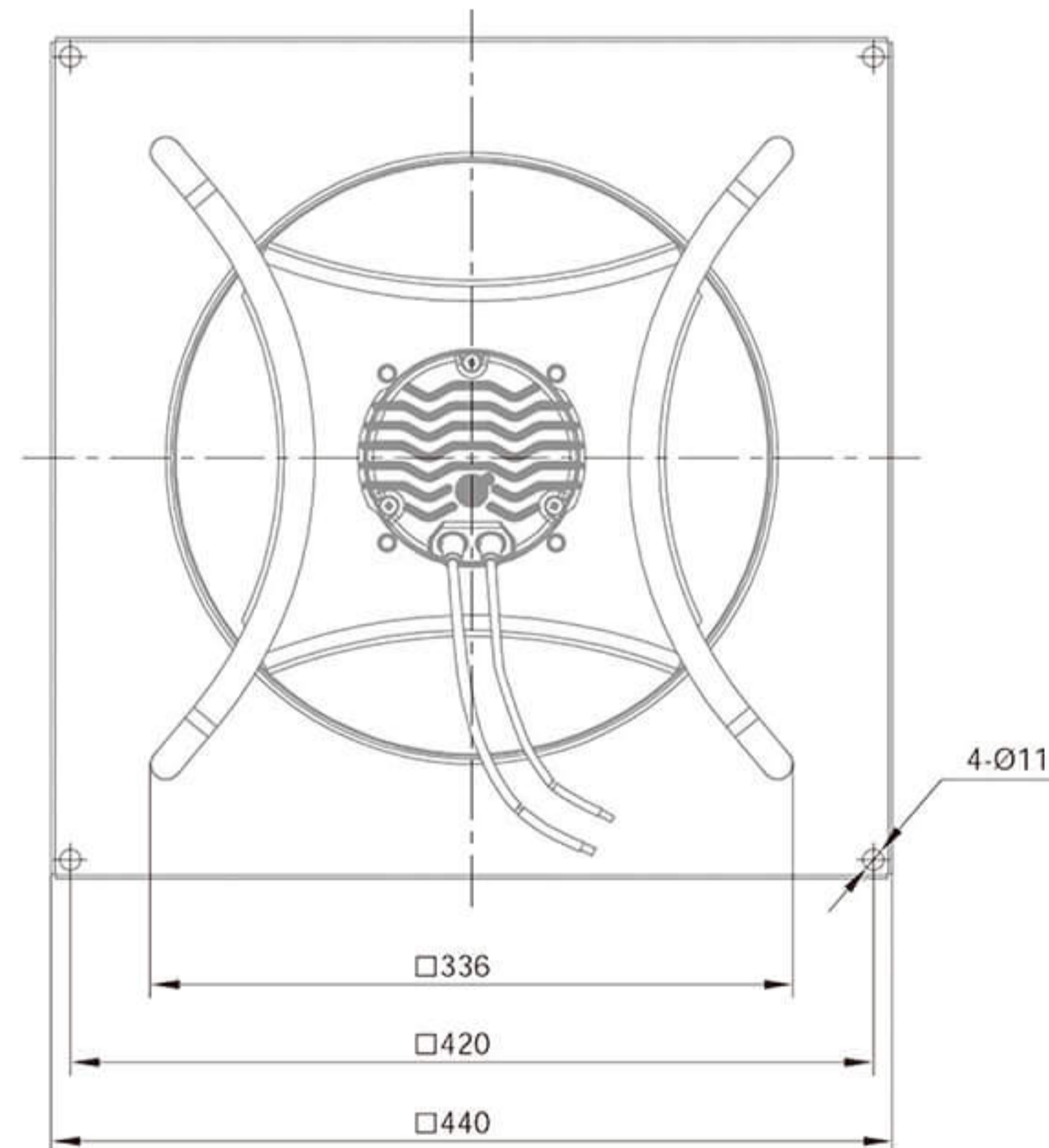
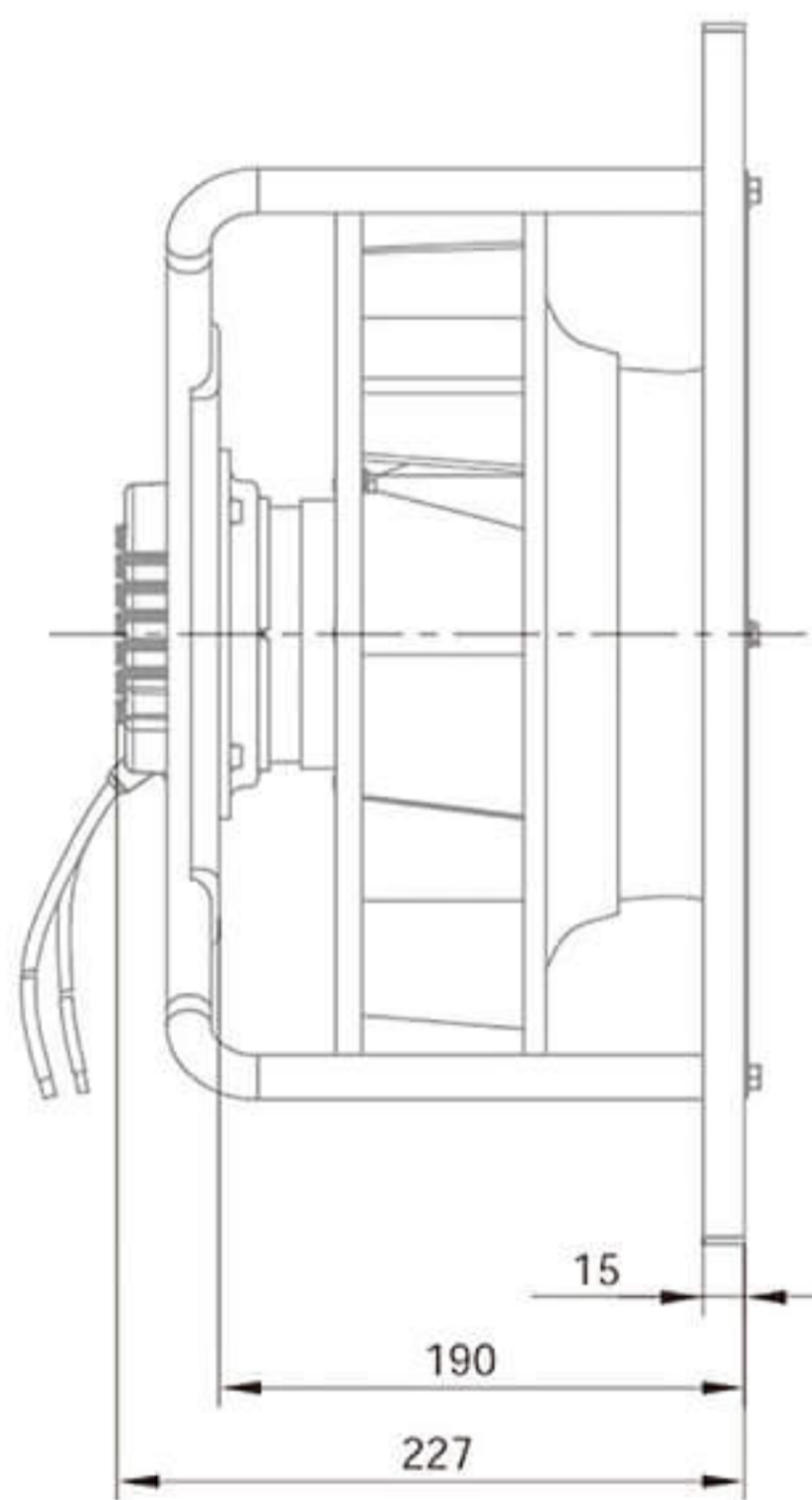
| Model | Voltage (V) | Frequency (Hz) | Input Power (W) | Current (A) | Air Volume (m³/h) | Speed (r/min) | Noise [dB(A)] | Max Environmental Temperature(°C) | Weight (Kg) |
|--------------------|-------------|----------------|-----------------|-------------|-------------------|---------------|---------------|-----------------------------------|-------------|
| BMF- 6D280-PLHDAL1 | 400 | 50/60 | 1140 | 1.86 | 4150 | 3270 | 74 | 50 | 11.8 |

EC Centrifugal Plug Fans $\Phi 310$



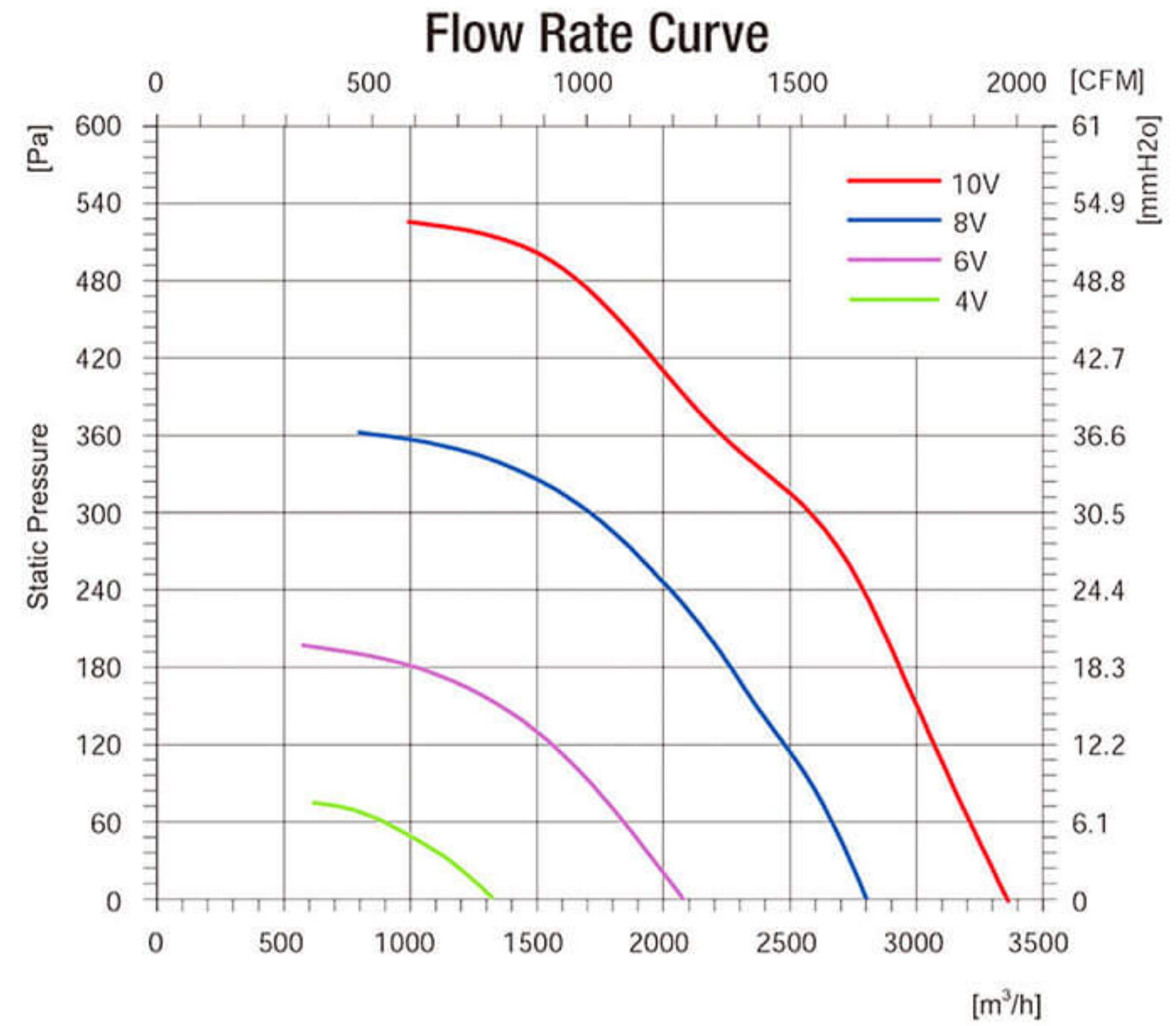
Product Characteristic

- Motor technology: EC Outer rotor
- Supply voltage: 1~, 200-277V, 50/60Hz
- Mode of Operation: S1
- Protection Class: IP54
- Insulation Class: F
- Bearings: Maintenance-free ball bearings
- Impeller Type: Backward curved
- Impeller Material: Sheet aluminium
- Rotation: C.C.W, seen on the leads
- Perm.amb.temp.: -25°C ~ +50°C
- Controller Integrated, 0-10V or PWM Control



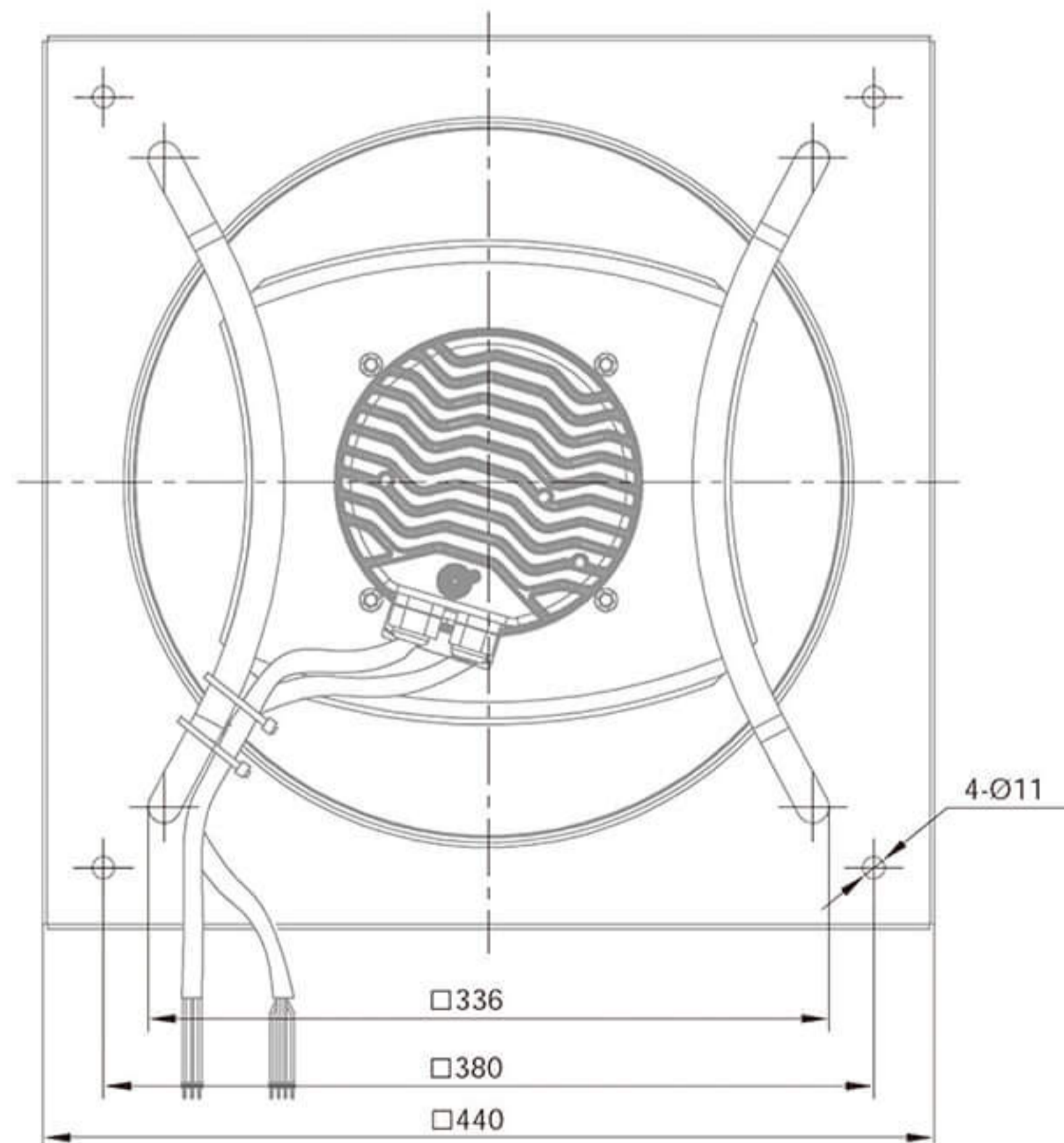
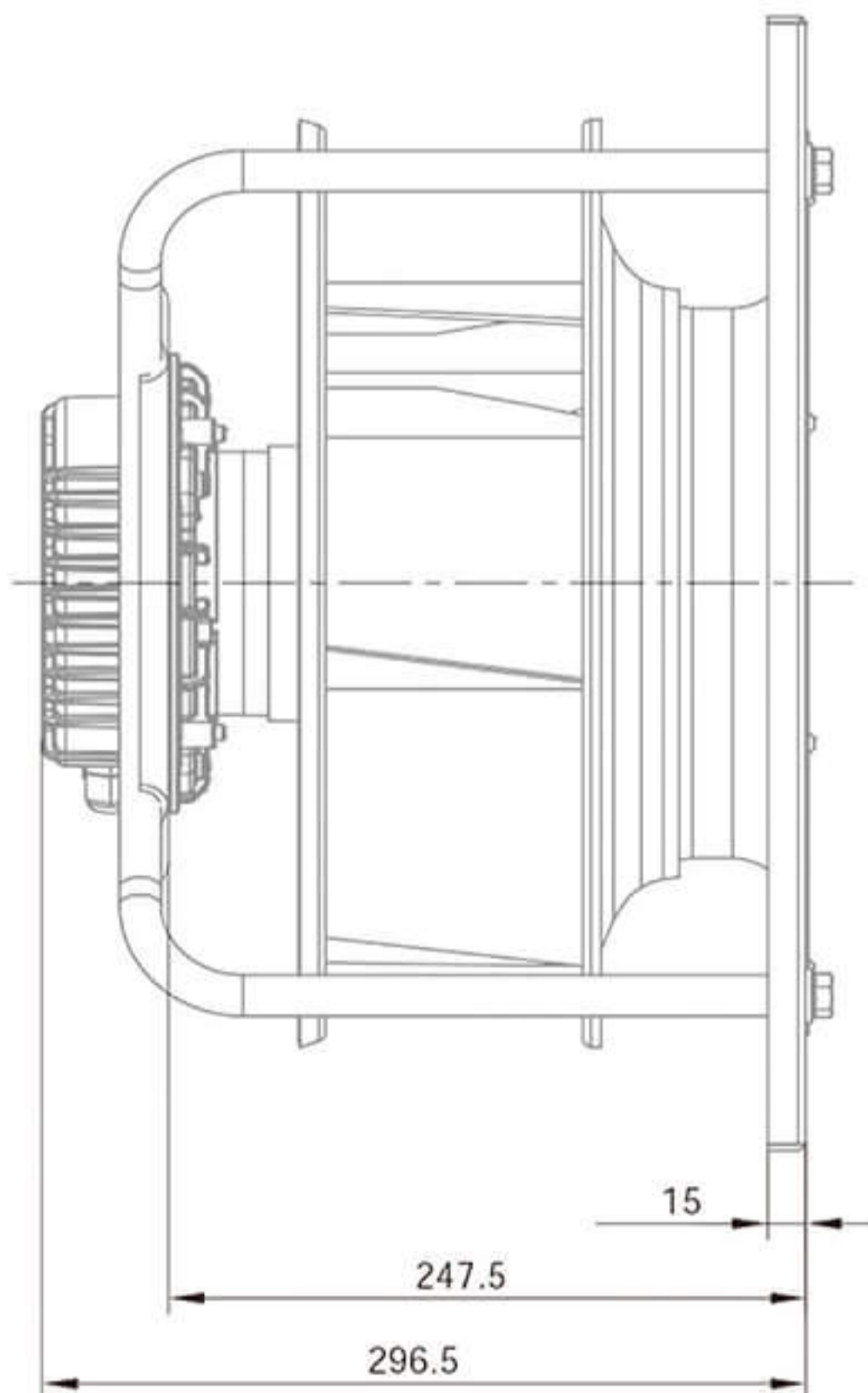
| Model | Voltage (V) | Frequency (Hz) | Input Power (W) | Current (A) | Air Volume (m³/h) | Speed (r/min) | Noise [dB(A)] | Max Environmental Temperature(°C) | Weight (Kg) |
|--------------------|-------------|----------------|-----------------|-------------|-------------------|---------------|---------------|-----------------------------------|-------------|
| BMF-3E310-PLHDAL10 | 230 | 50/60 | 250 | 1.87 | 2100 | 2230 | 69 | 50 | 7.8 |

EC Centrifugal Plug Fans $\Phi 310$



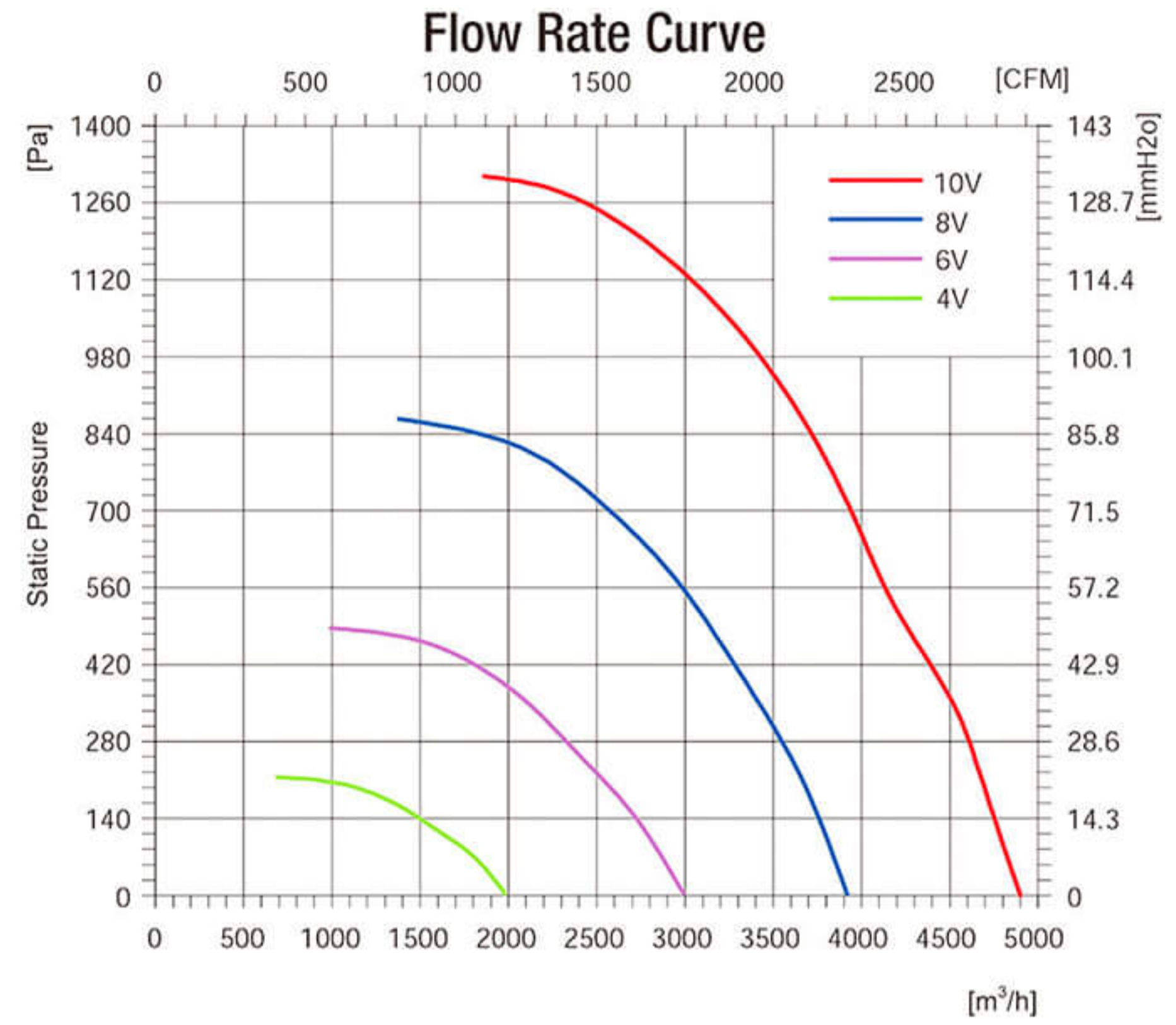
Product Characteristic

- Motor technology: EC Outer rotor
- Supply voltage: 1~, 200-277V, 50/60Hz
- Mode of Operation: S1
- Protection Class: IP54
- Insulation Class: F
- Bearings: Maintenance-free ball bearings
- Impeller Type: Backward curved
- Impeller Material: Sheet aluminium
- Rotation: C.C.W, seen on the leads
- Perm.amb.temp.: -25°C ~ +50°C
- Controller Integrated, 0-10V or PWM Control



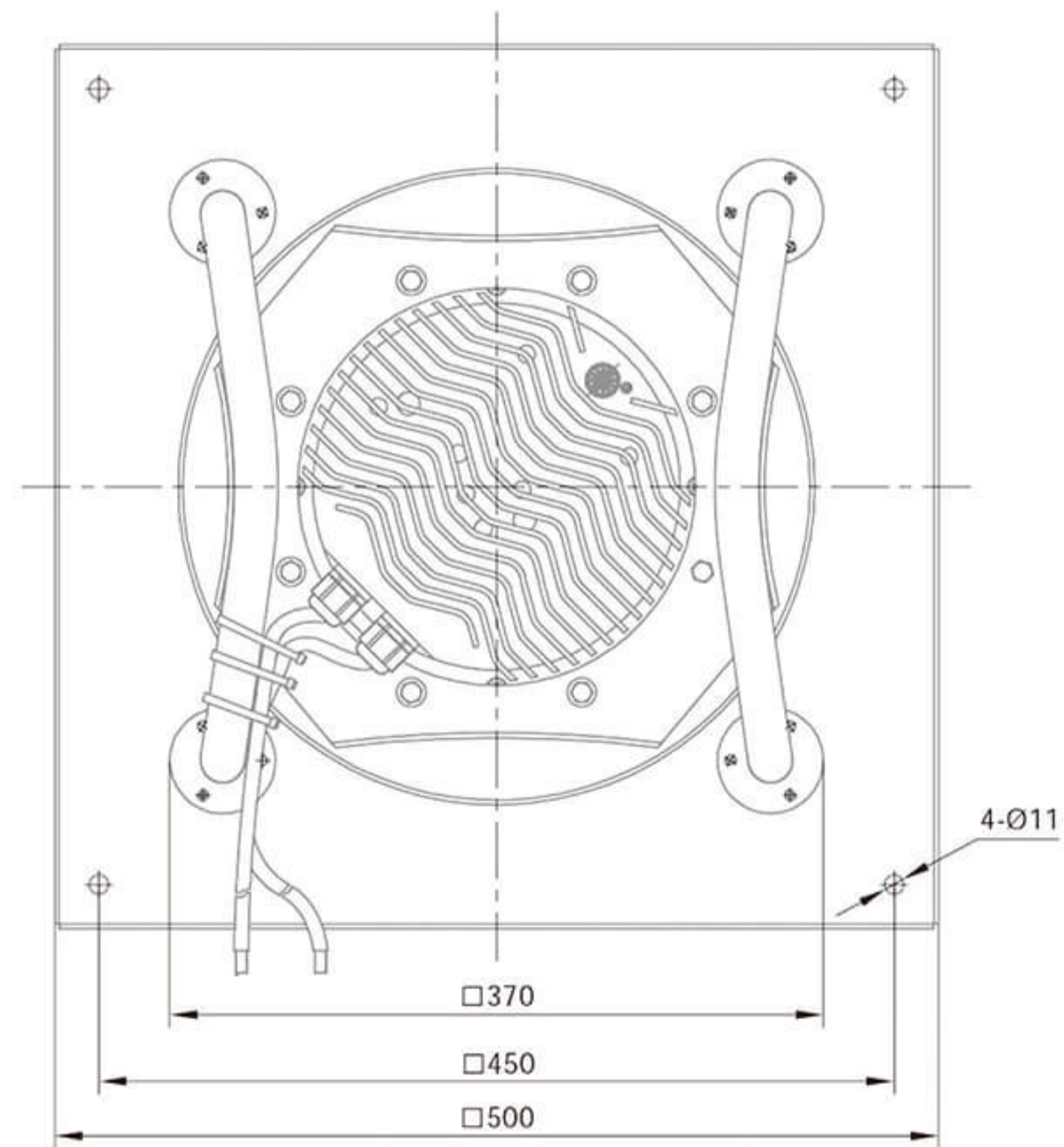
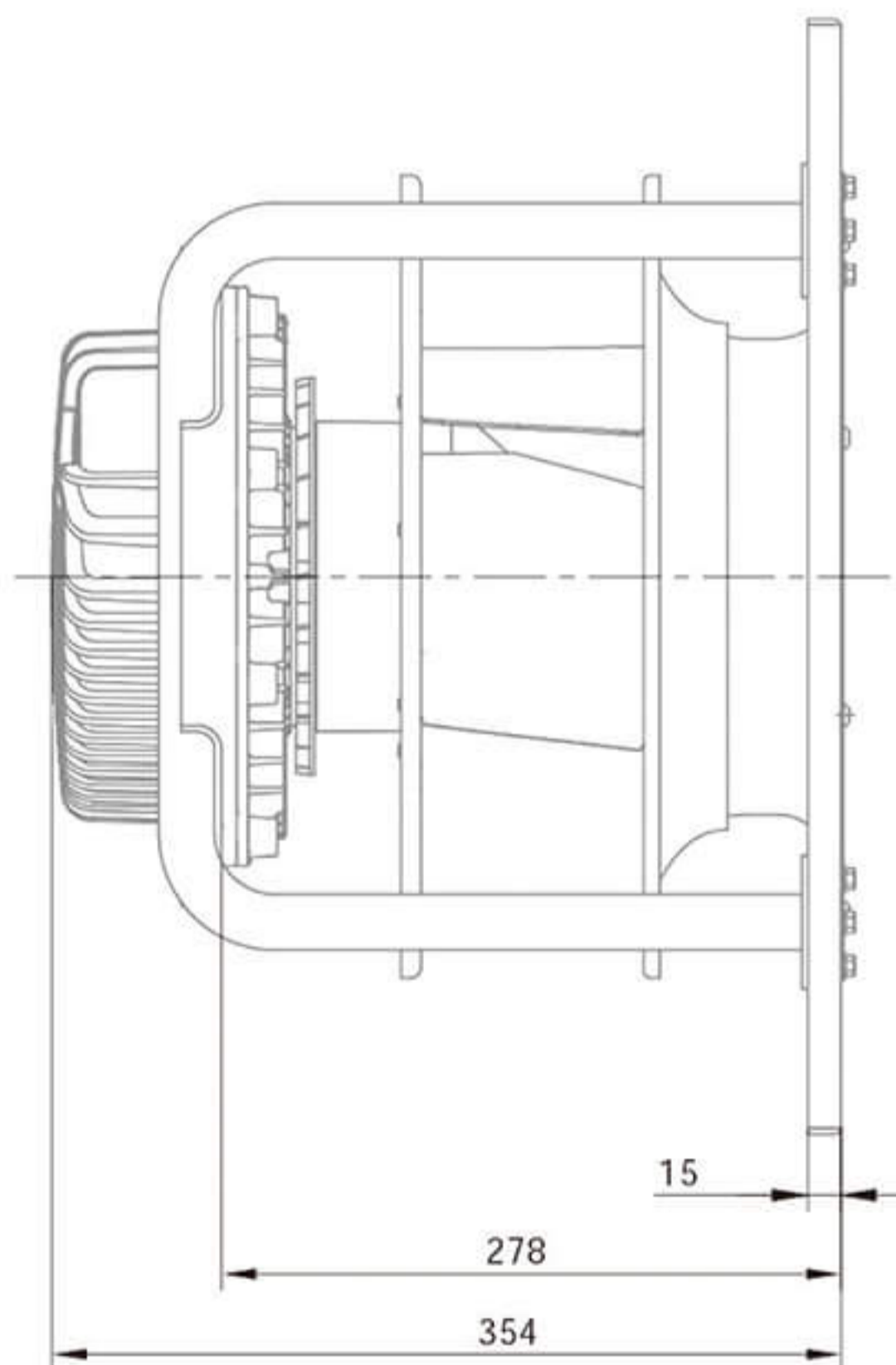
| Model | Voltage (V) | Frequency (Hz) | Input Power (W) | Current (A) | Air Volume (m³/h) | Speed (r/min) | Noise [dB(A)] | Max Environmental Temperature(°C) | Weight (Kg) |
|--------------------|-------------|----------------|-----------------|-------------|-------------------|---------------|---------------|-----------------------------------|-------------|
| BMF-3E310-PLHDAL11 | 230 | 50/60 | 410 | 3.3 | 3400 | 2000 | 69 | 50 | 11.0 |

EC Centrifugal Plug Fans $\Phi 310$



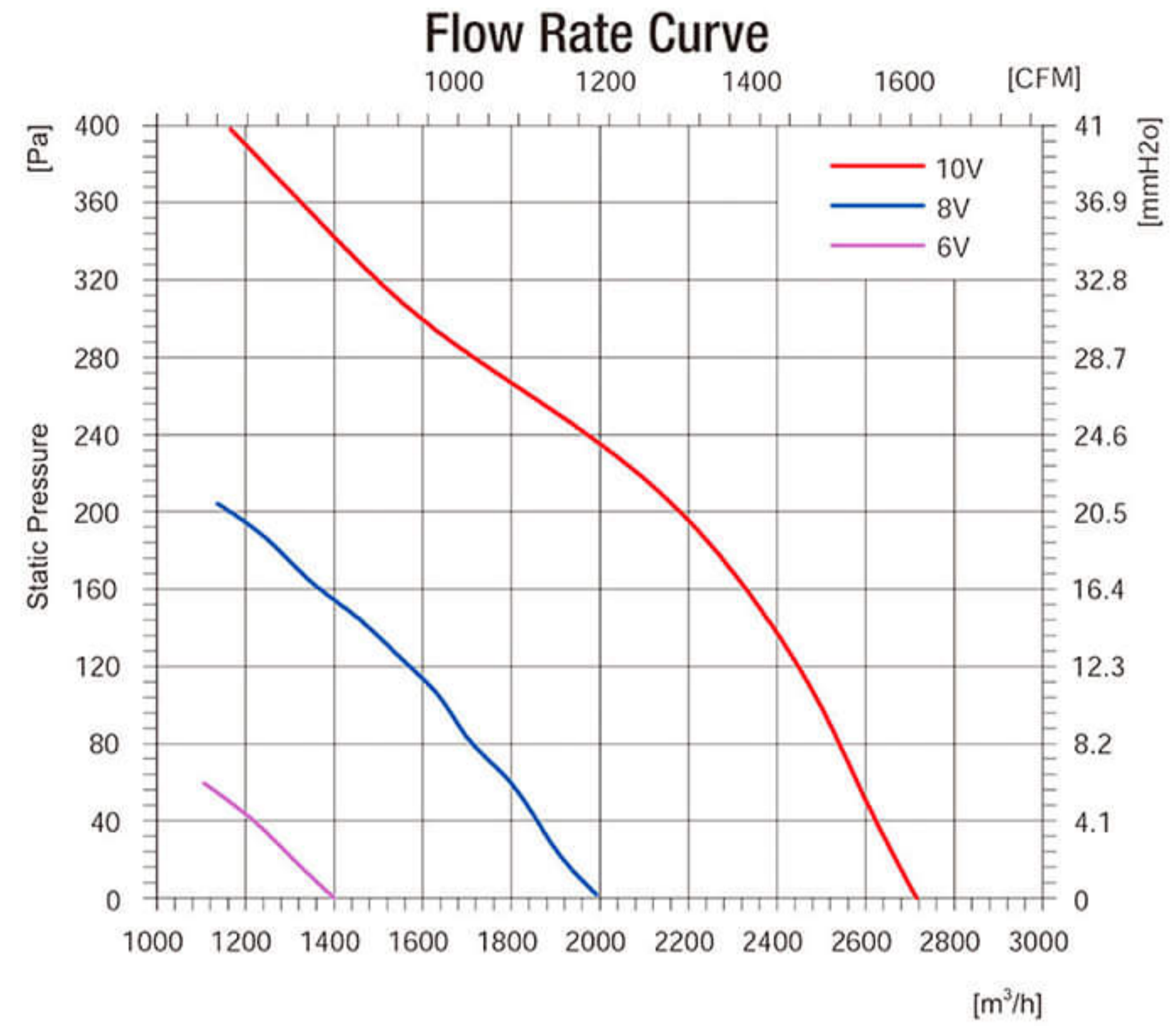
Product Characteristic

- Motor technology: EC Outer rotor
- Supply voltage: 3~, 380-480V, 50/60Hz
- Mode of Operation: S1
- Protection Class: IP54
- Insulation Class: F
- Bearings: Maintenance-free ball bearings
- Impeller Type: Backward curved
- Impeller Material: Sheet aluminium
- Rotation: C.C.W, seen on the leads
- Perm.amb.temp.: -25°C ~ +50°C
- Controller Integrated, 0-10V or PWM Control



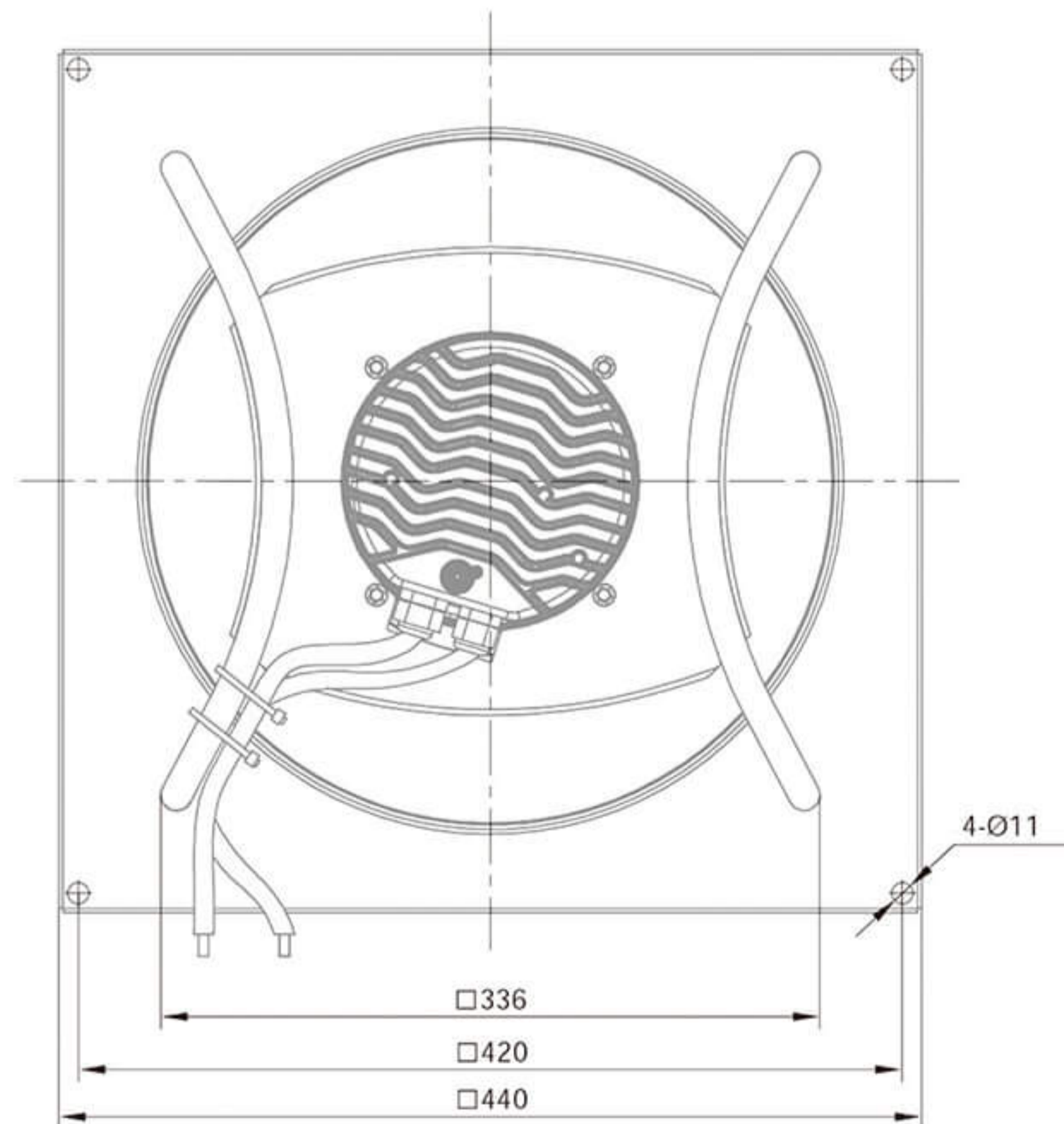
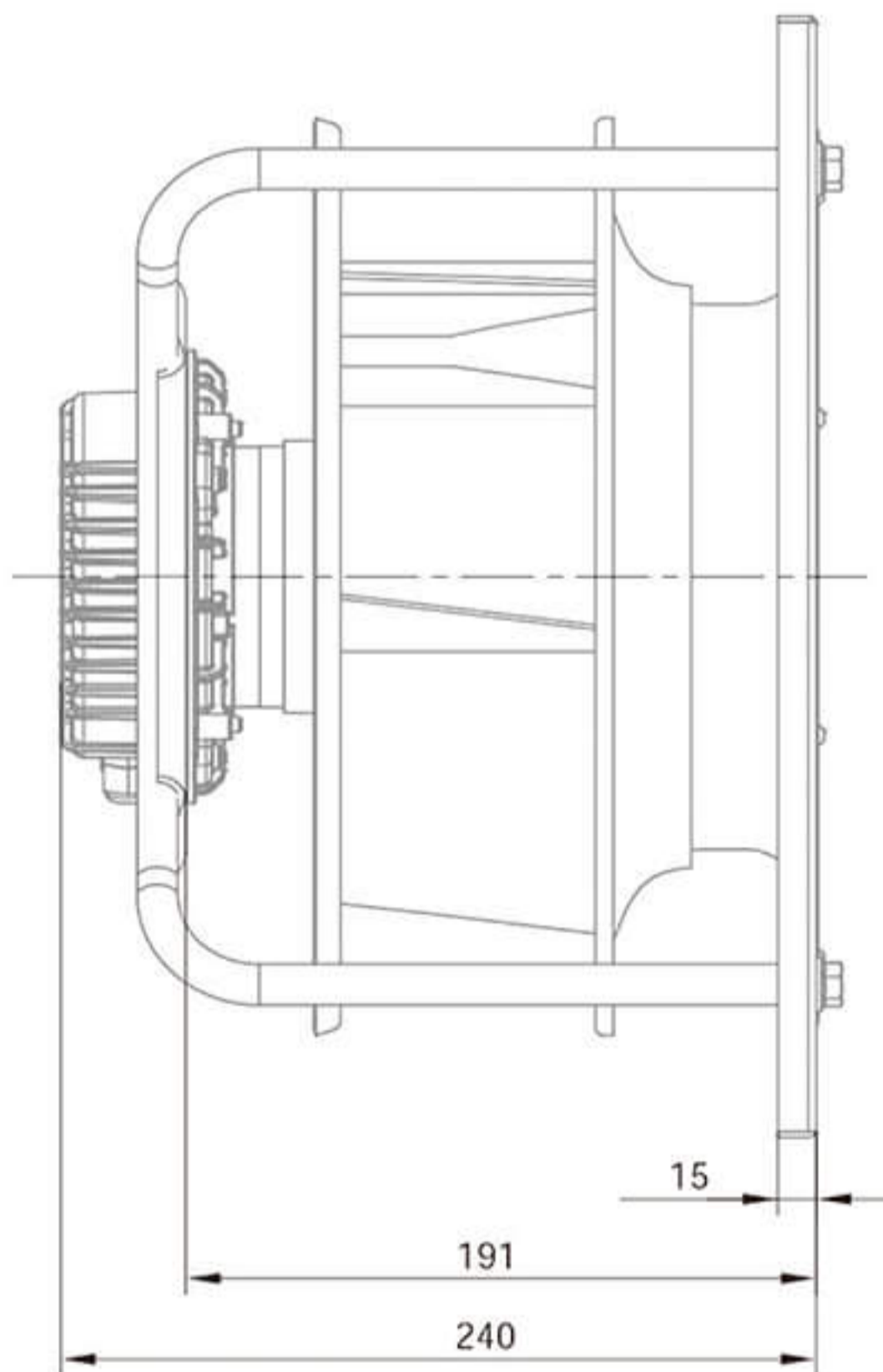
| Model | Voltage (V) | Frequency (Hz) | Input Power (W) | Current (A) | Air Volume (m³/h) | Speed (r/min) | Noise [dB(A)] | Max Environmental Temperature(°C) | Weight (Kg) |
|--------------------|-------------|----------------|-----------------|-------------|-------------------|---------------|---------------|-----------------------------------|-------------|
| BMF- 8D310-PLHDAL1 | 400 | 50/60 | 1650 | 2.8 | 4900 | 3160 | 82 | 50 | 23.0 |

EC Centrifugal Plug Fans $\Phi 355$



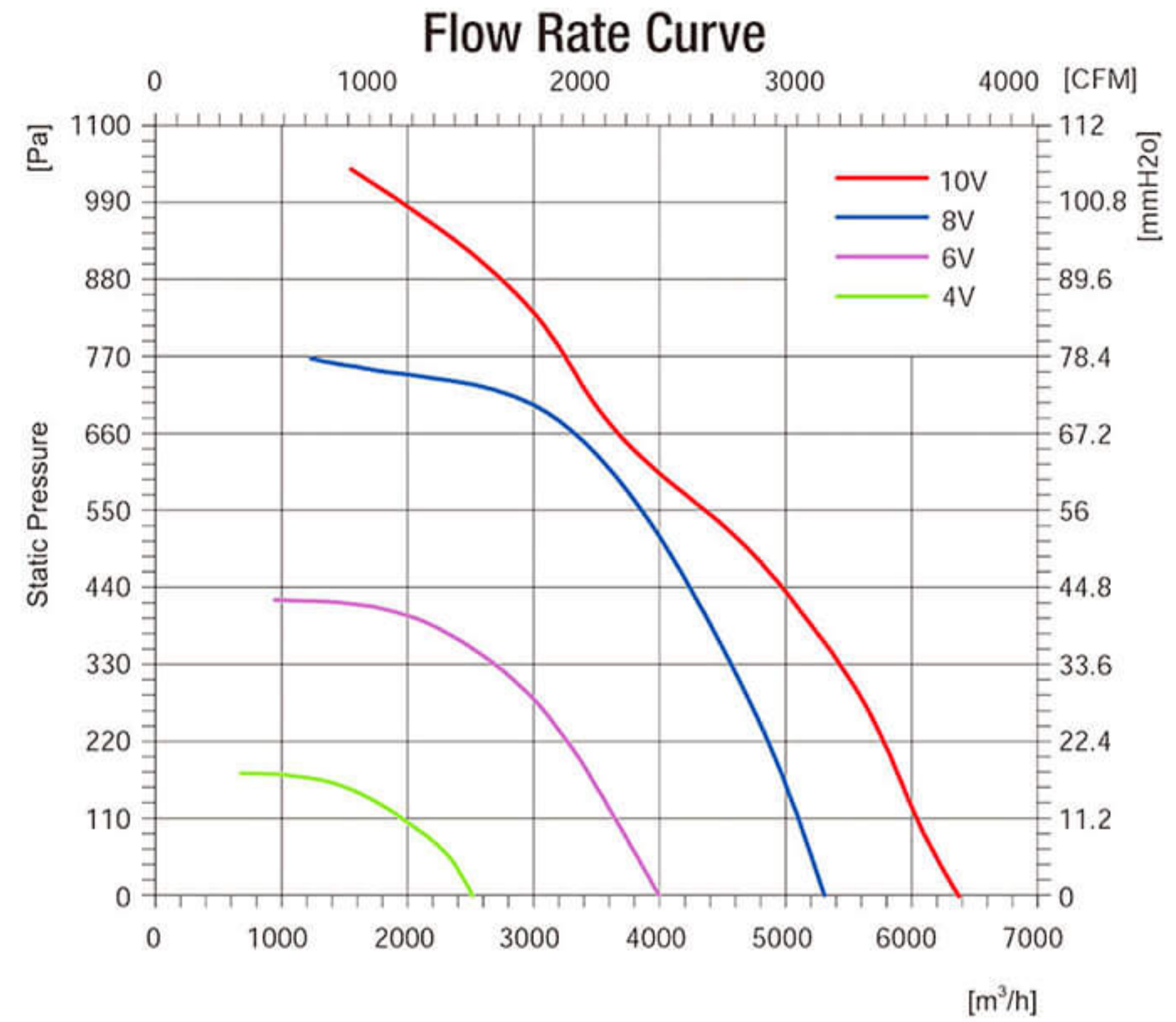
Product Characteristic

- Motor technology: EC Outer rotor
- Supply voltage: 1~, 200-277V, 50/60Hz
- Mode of Operation: S1
- Protection Class: IP54
- Insulation Class: F
- Bearings: Maintenance-free ball bearings
- Impeller Type: Backward curved
- Impeller Material: Sheet aluminium
- Rotation: C.C.W, seen on the leads
- Perm.amb.temp.: -25°C ~ +50°C
- Controller Integrated, 0-10V or PWM Control



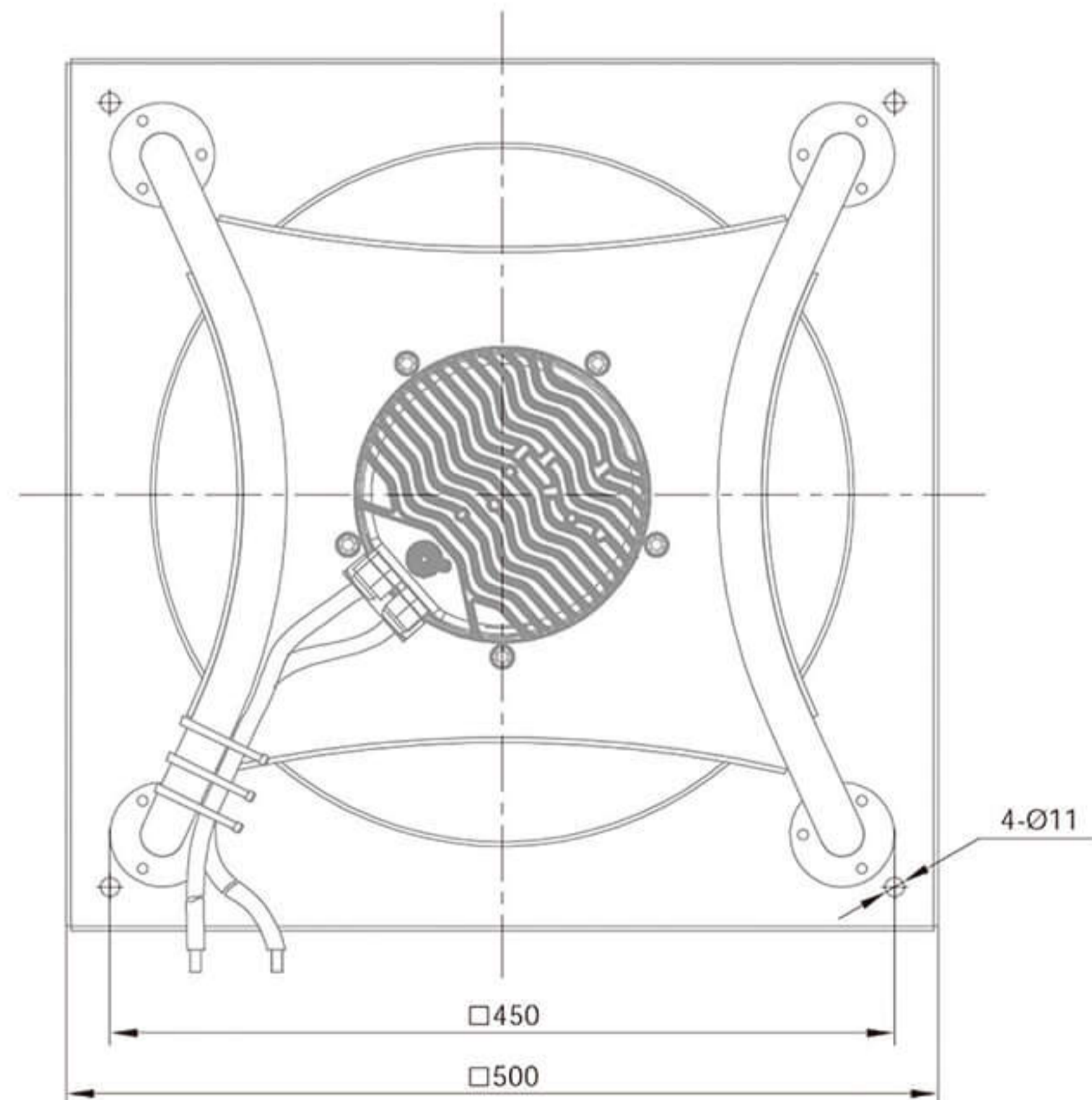
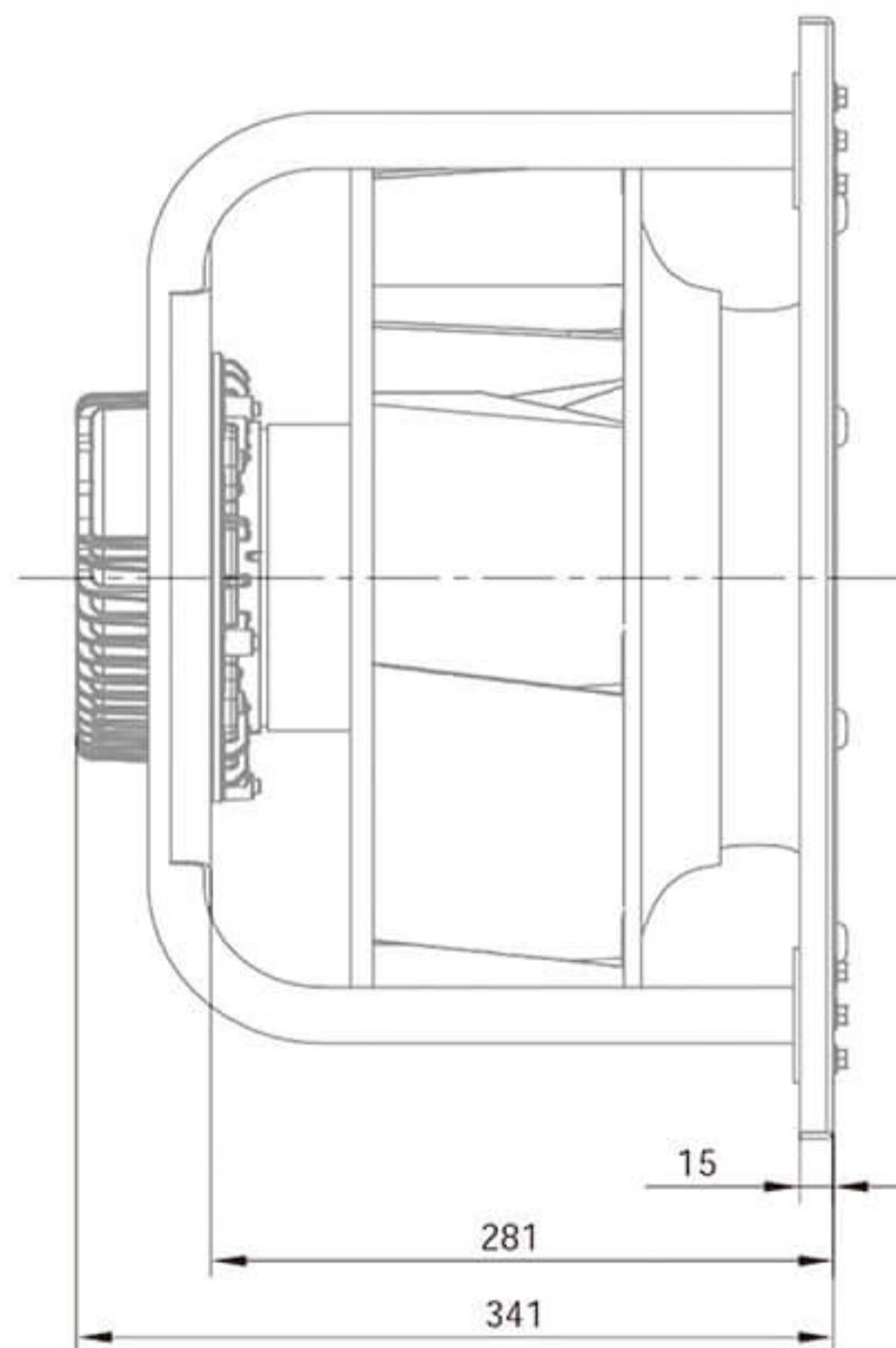
| Model | Voltage (V) | Frequency (Hz) | Input Power (W) | Current (A) | Air Volume (m³/h) | Speed (r/min) | Noise [dB(A)] | Max Environmental Temperature(°C) | Weight (Kg) |
|--------------------|-------------|----------------|-----------------|-------------|-------------------|---------------|---------------|-----------------------------------|-------------|
| BMF- 6E355-PLHDAL2 | 230 | 50/60 | 270 | 2.3 | 2700 | 1550 | 70 | 50 | 14.0 |

EC Centrifugal Plug Fans $\Phi 355$



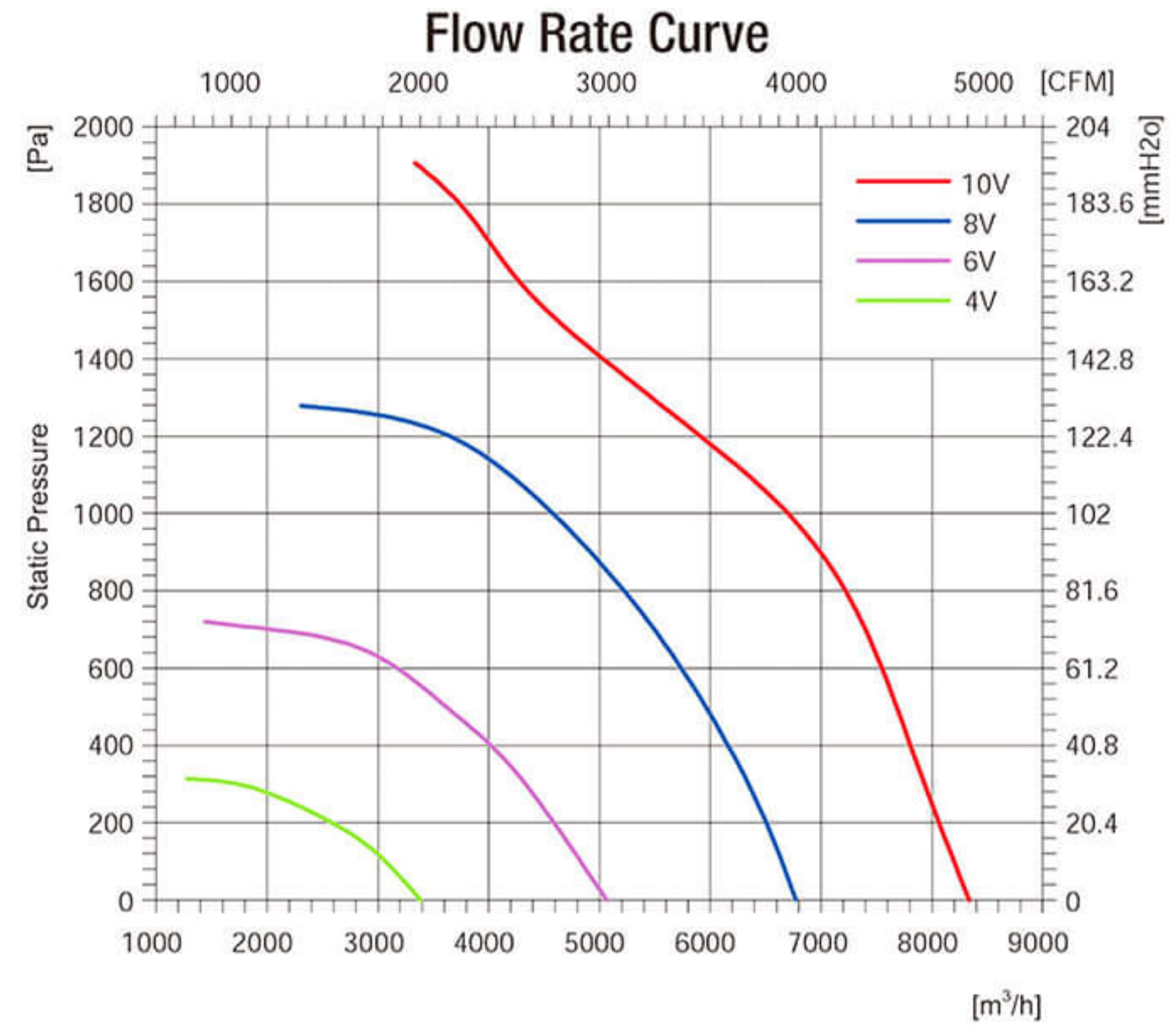
Product Characteristic

- Motor technology: EC Outer rotor
- Supply voltage: 3~, 380-480V, 50/60Hz
- Mode of Operation: S1
- Protection Class: IP54
- Insulation Class: F
- Bearings: Maintenance-free ball bearings
- Impeller Type: Backward curved
- Impeller Material: Sheet aluminium
- Rotation: C.C.W, seen on the leads
- Perm.amb.temp.: -25°C ~ +50°C
- Controller Integrated, 0-10V or PWM Control



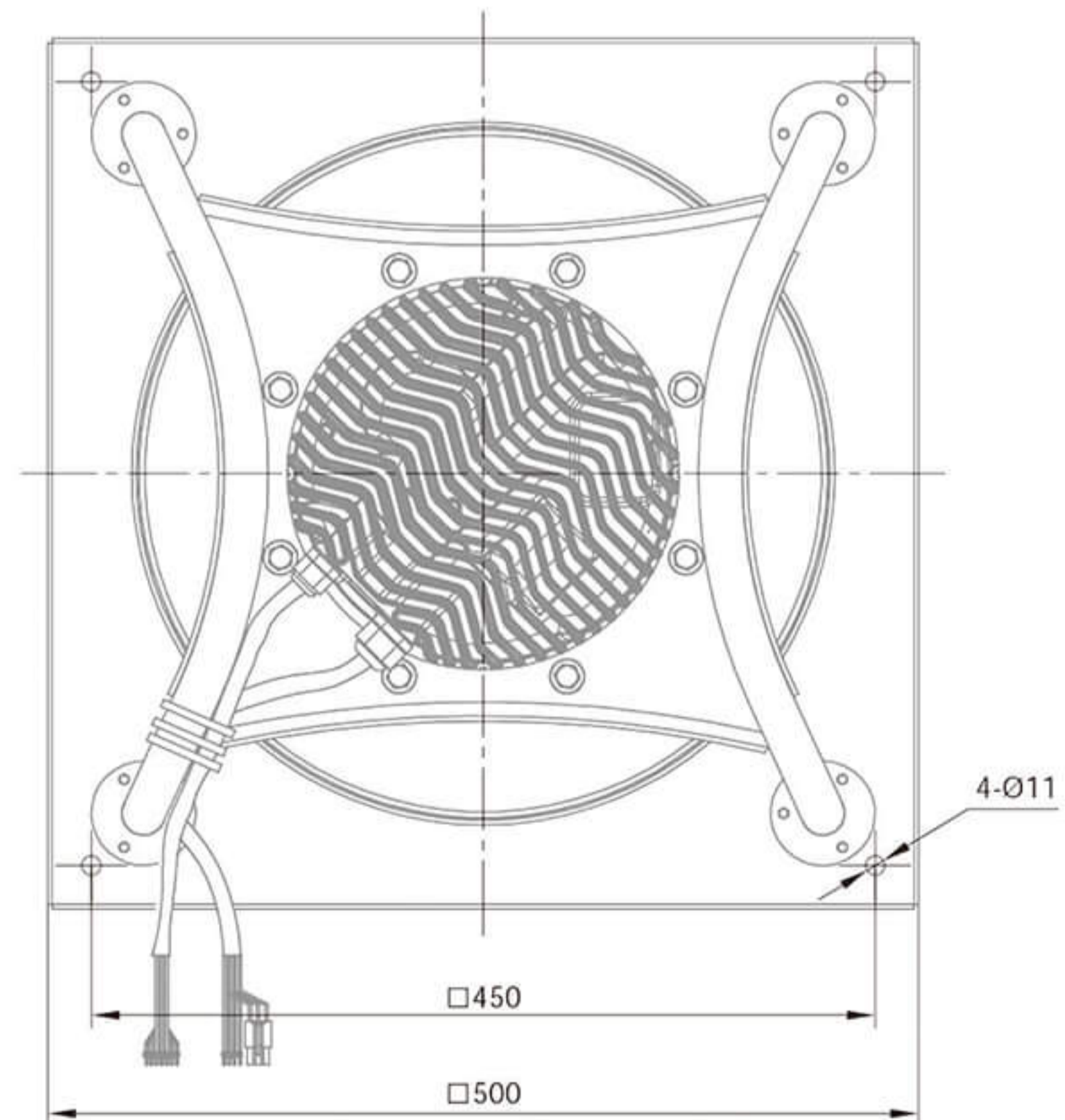
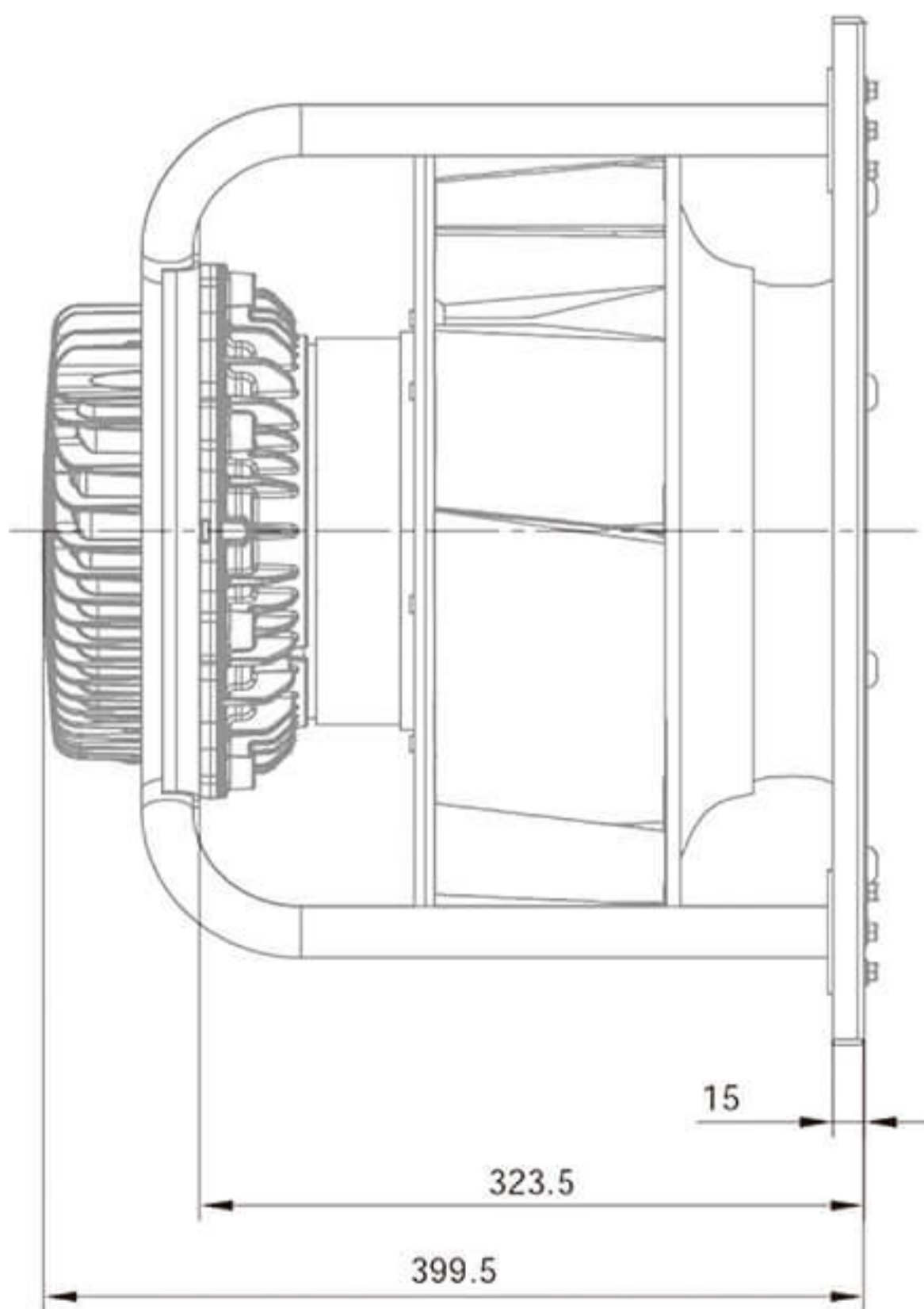
| Model | Voltage (V) | Frequency (Hz) | Input Power (W) | Current (A) | Air Volume (m³/h) | Speed (r/min) | Noise [dB(A)] | Max Environmental Temperature(°C) | Weight (Kg) |
|--------------------|-------------|----------------|-----------------|-------------|-------------------|---------------|---------------|-----------------------------------|-------------|
| BMF-3D355-PLHDAL10 | 400 | 50/60 | 1100 | 1.8 | 6360 | 2200 | 73 | 50 | 19.0 |

EC Centrifugal Plug Fans $\Phi 355$



Product Characteristic

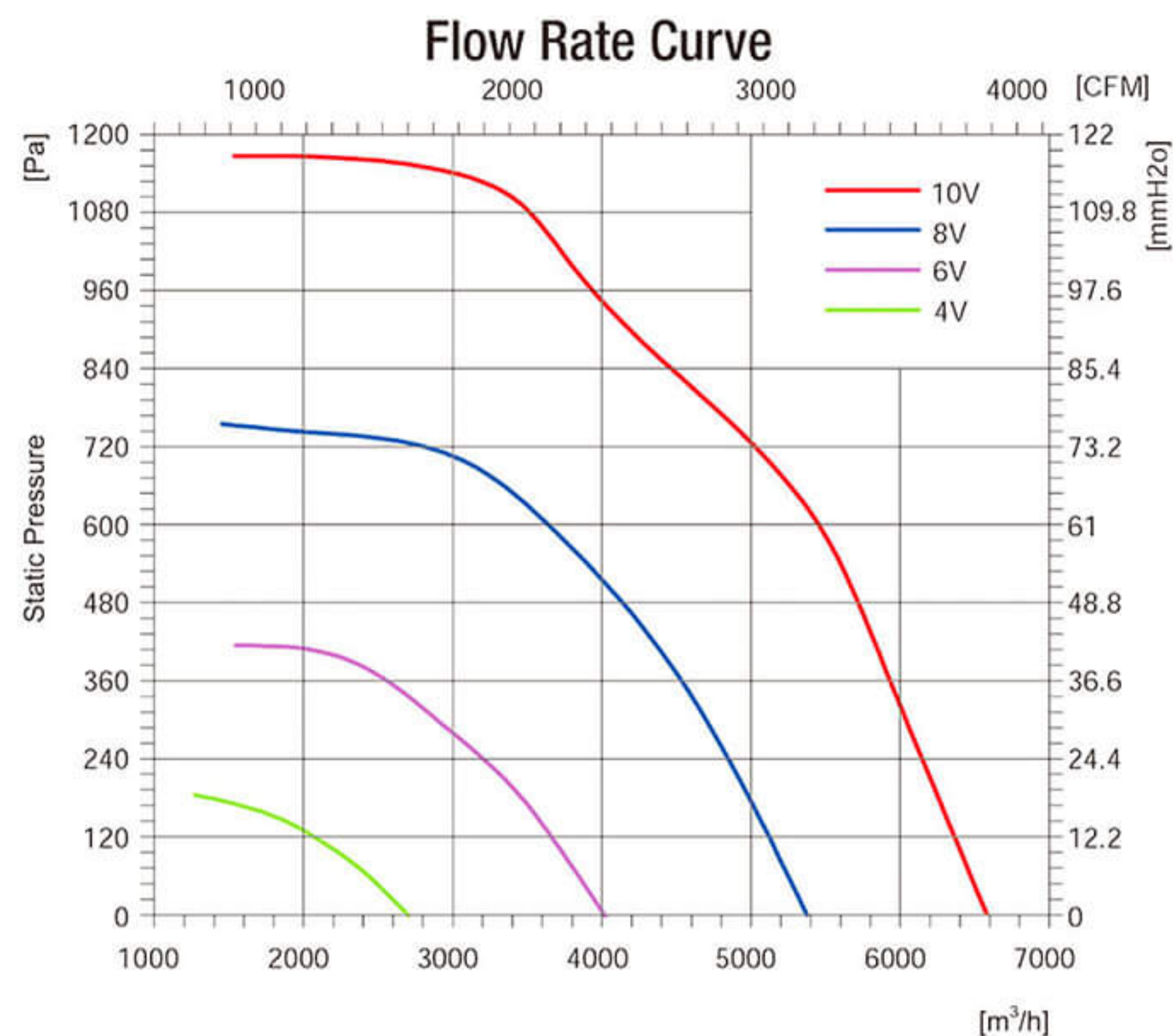
- Motor technology: EC Outer rotor
- Supply voltage: 3~, 380-480V, 50/60Hz
- Mode of Operation: S1
- Protection Class: IP54
- Insulation Class: F
- Bearings: Maintenance-free ball bearings
- Impeller Type: Backward curved
- Impeller Material: Sheet aluminium
- Rotation: C.C.W, seen on the leads
- Perm.amb.temp.: -25°C ~ +50°C
- Controller Integrated, 0-10V or PWM Control



| Model | Voltage (V) | Frequency (Hz) | Input Power (W) | Current (A) | Air Volume (m³/h) | Speed (r/min) | Noise [dB(A)] | Max Environmental Temperature(°C) | Weight (Kg) |
|--------------------|-------------|----------------|-----------------|-------------|-------------------|---------------|---------------|-----------------------------------|-------------|
| BMF-3D355-PLHDAL11 | 400 | 50/60 | 3250 | 5.1 | 8350 | 3200 | 86 | 50 | 24.0 |

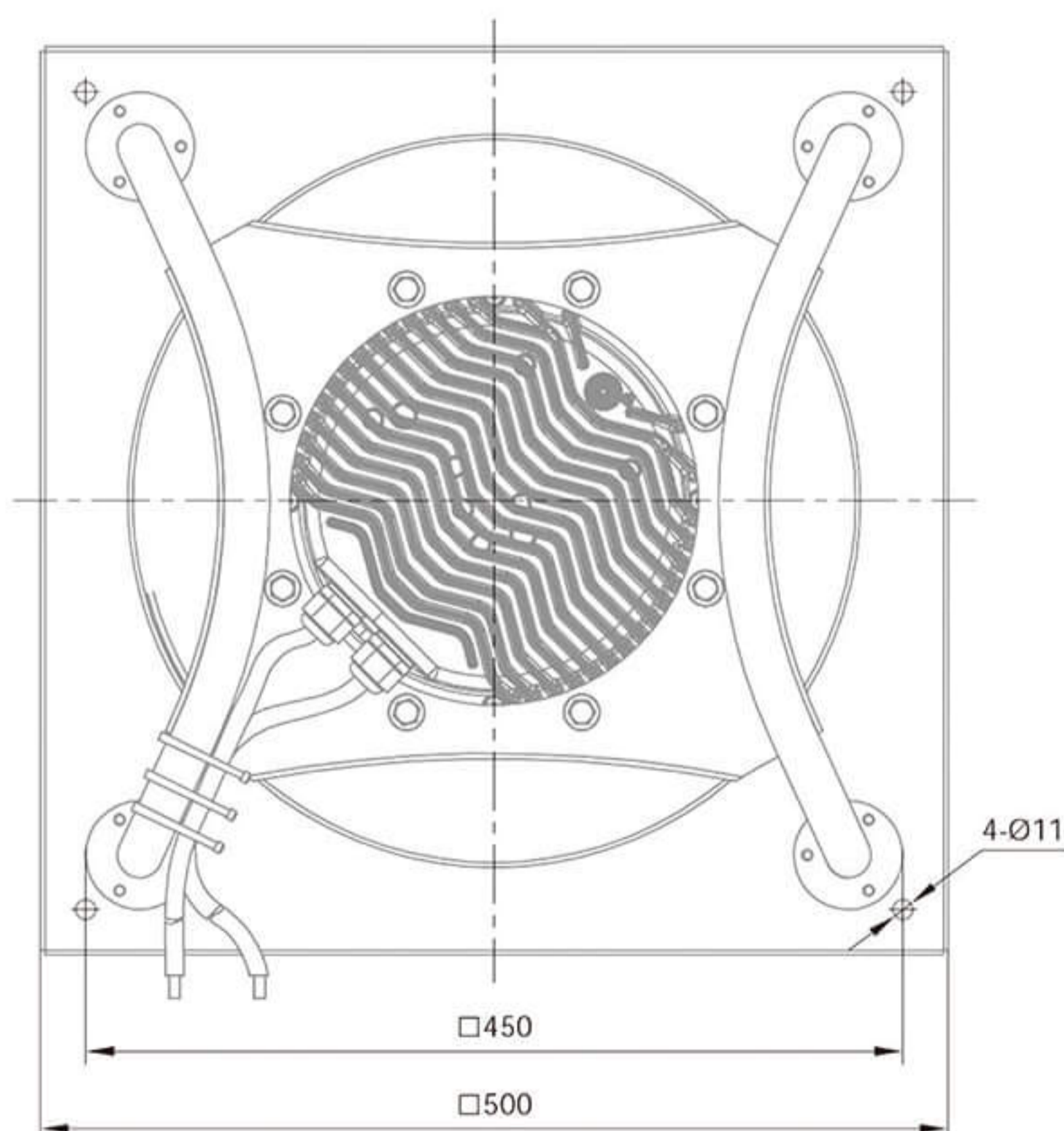
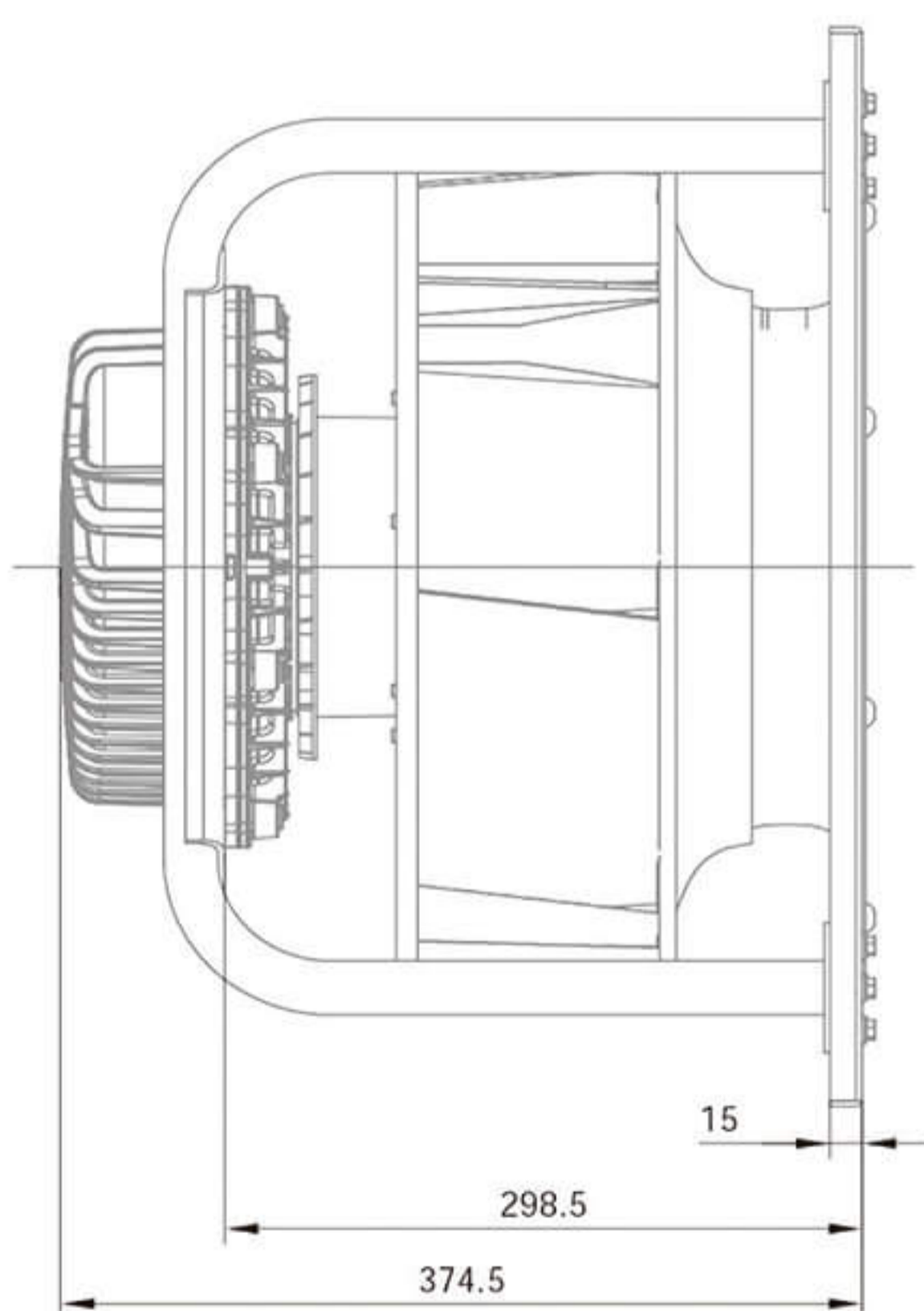
EC Centrifugal Plug Fans $\Phi 355$

ErP
2020



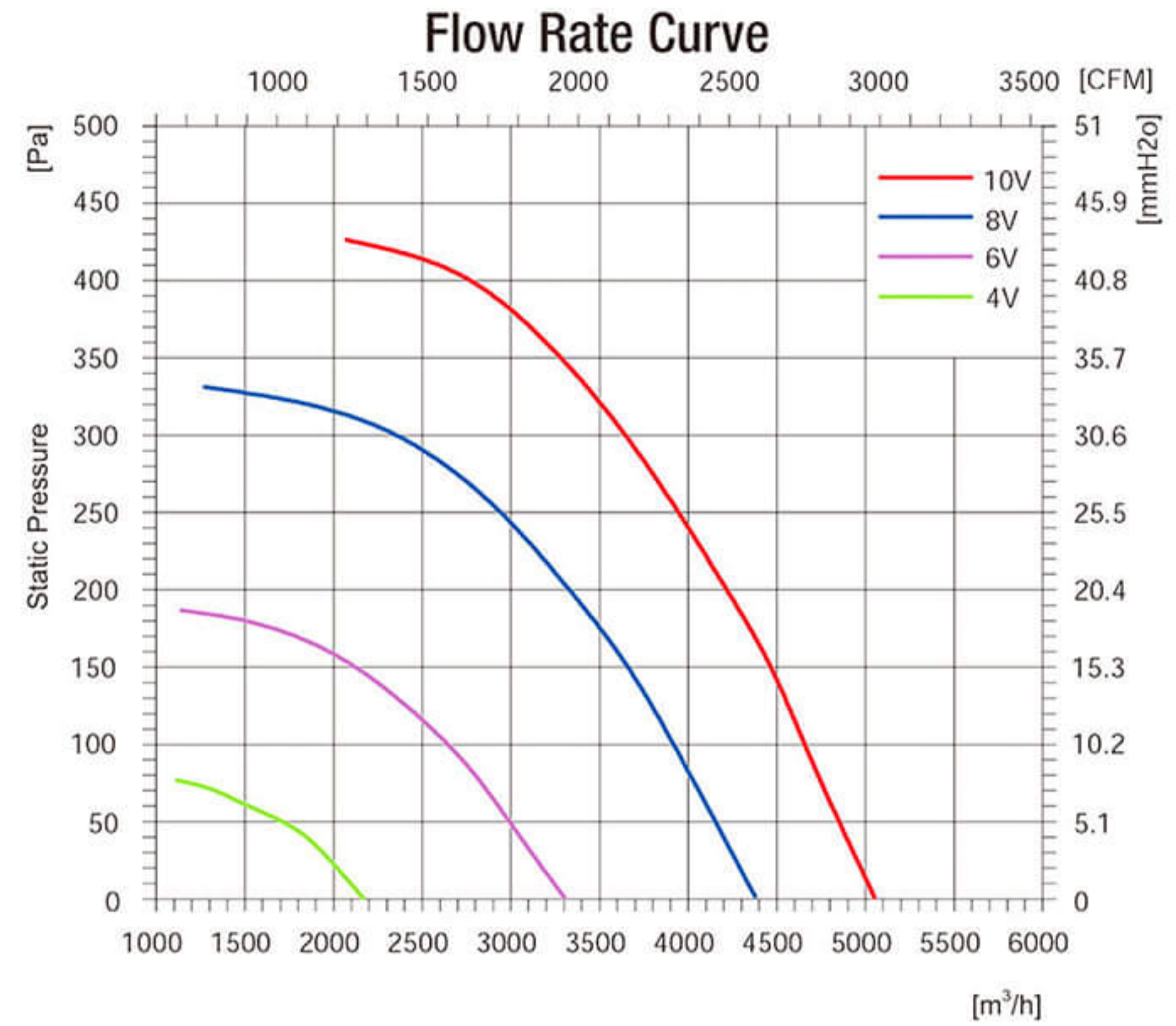
Product Characteristic

Motor technology: EC Outer rotor
 Supply voltage: 3~, 380-480V, 50/60Hz
 Mode of Operation: S1
 Protection Class: IP54
 Insulation Class: F
 Bearings: Maintenance-free ball bearings
 Impeller Type: Backward curved
 Impeller Material: Sheet aluminium
 Rotation: C.C.W, seen on the leads
 Perm.amb.temp.: -25°C ~ +50°C
 Controller Integrated, 0-10V or PWM Control



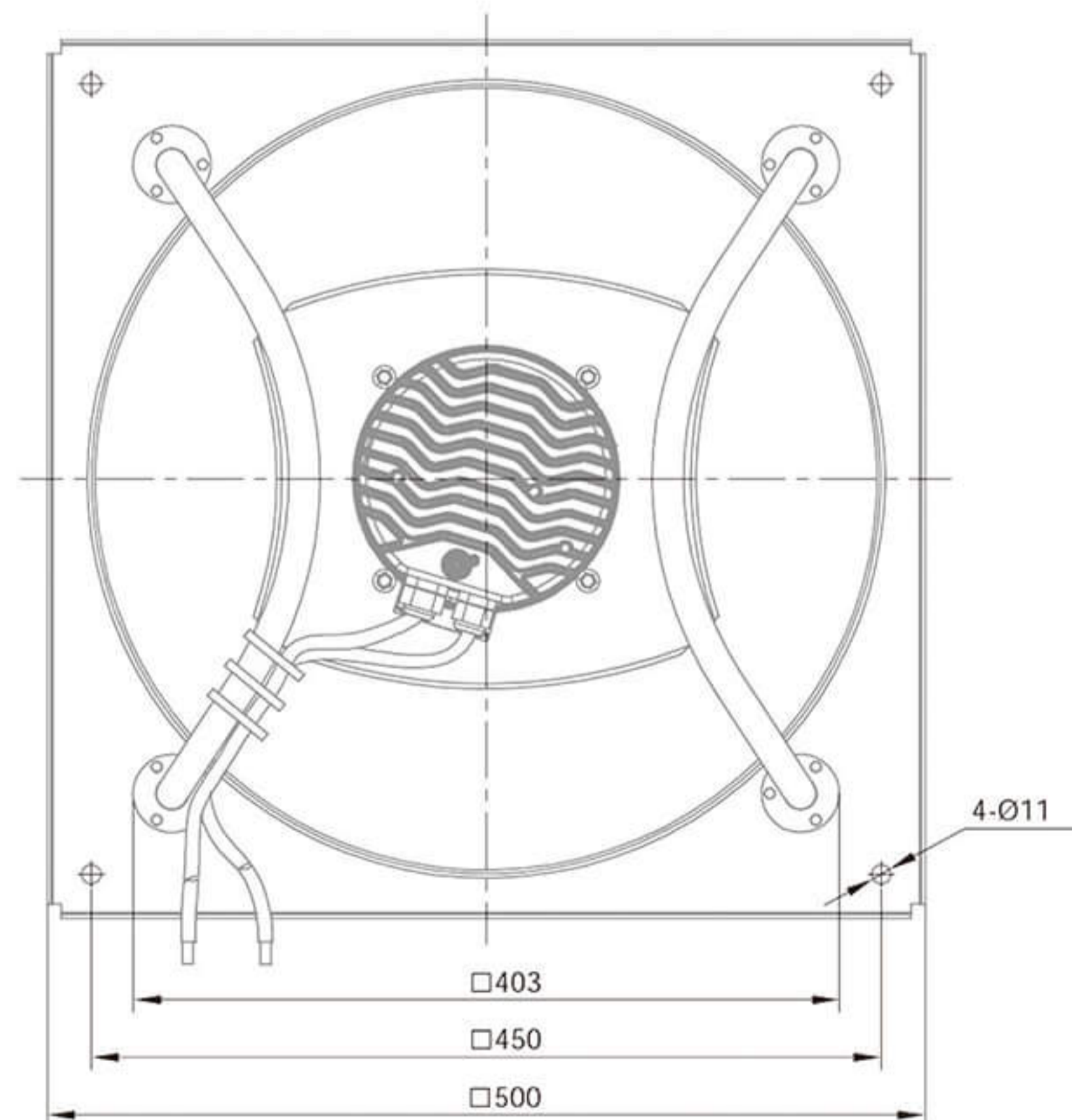
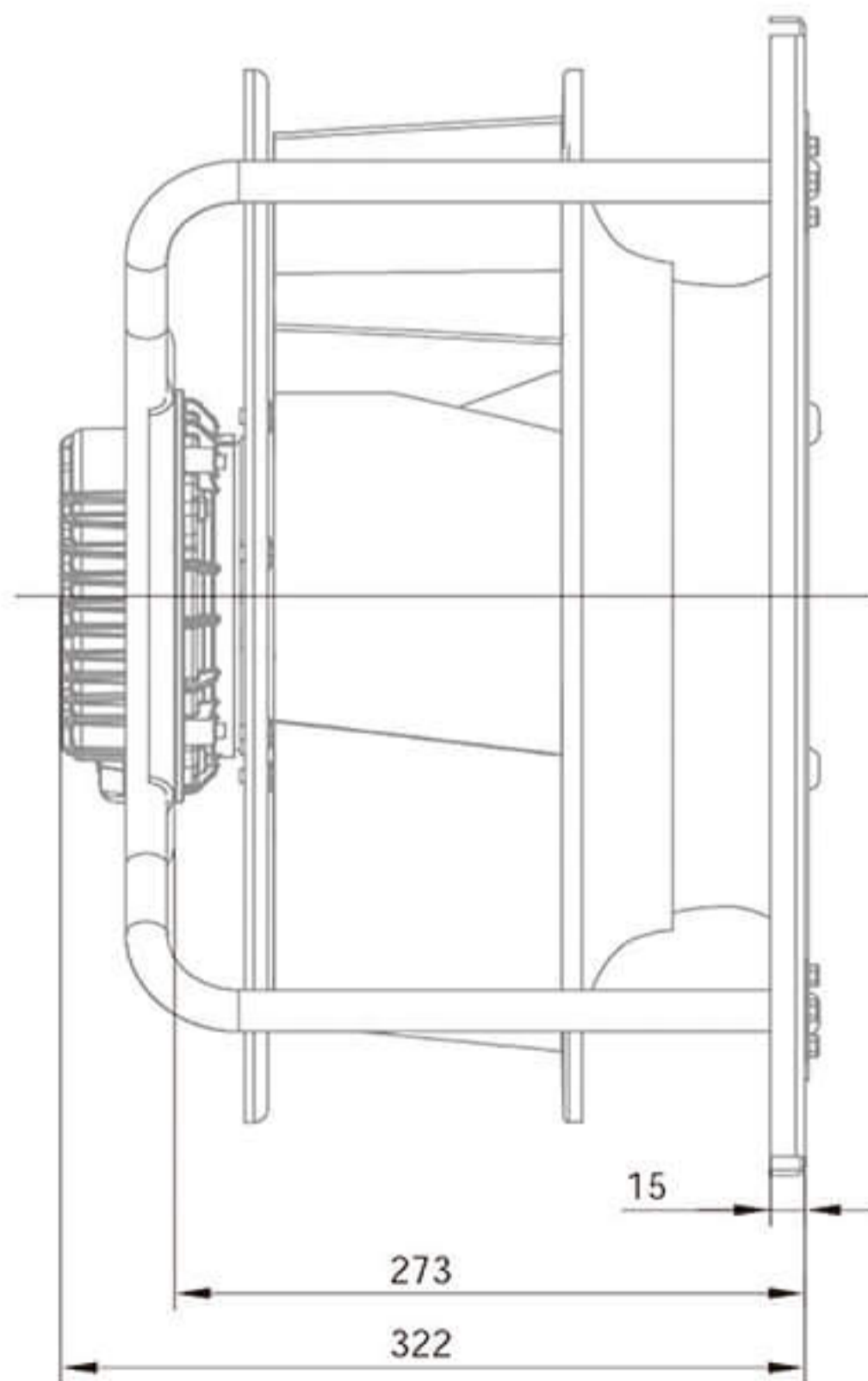
| Model | Voltage (V) | Frequency (Hz) | Input Power (W) | Current (A) | Air Volume (m³/h) | Speed (r/min) | Noise [dB(A)] | Max Environmental Temperature(°C) | Weight (Kg) |
|--------------------|-------------|----------------|-----------------|-------------|-------------------|---------------|---------------|-----------------------------------|-------------|
| BMF-3D355-PLHDAL12 | 400 | 50/60 | 1700 | 2.7 | 6600 | 2530 | 75 | 50 | 21.0 |

EC Centrifugal Plug Fans $\Phi 400$



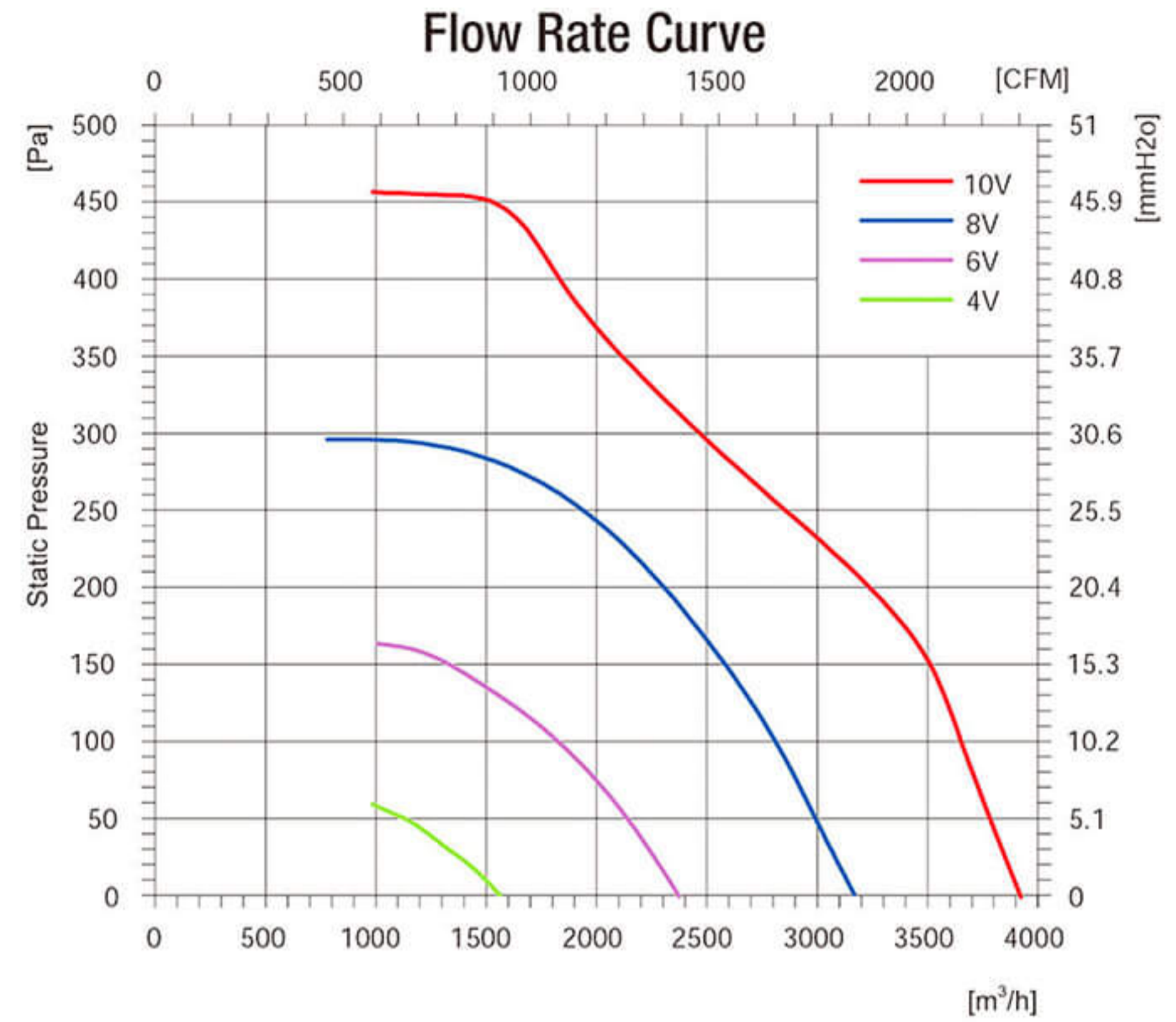
Product Characteristic

- Motor technology: EC Outer rotor
- Supply voltage: 1~, 200-277V, 50/60Hz
- Mode of Operation: S1
- Protection Class: IP54
- Insulation Class: F
- Bearings: Maintenance-free ball bearings
- Impeller Type: Backward curved
- Impeller Material: Sheet aluminium
- Rotation: C.C.W, seen on the leads
- Perm.amb.temp.: -25°C ~ +50°C
- Controller Integrated, 0-10V or PWM Control



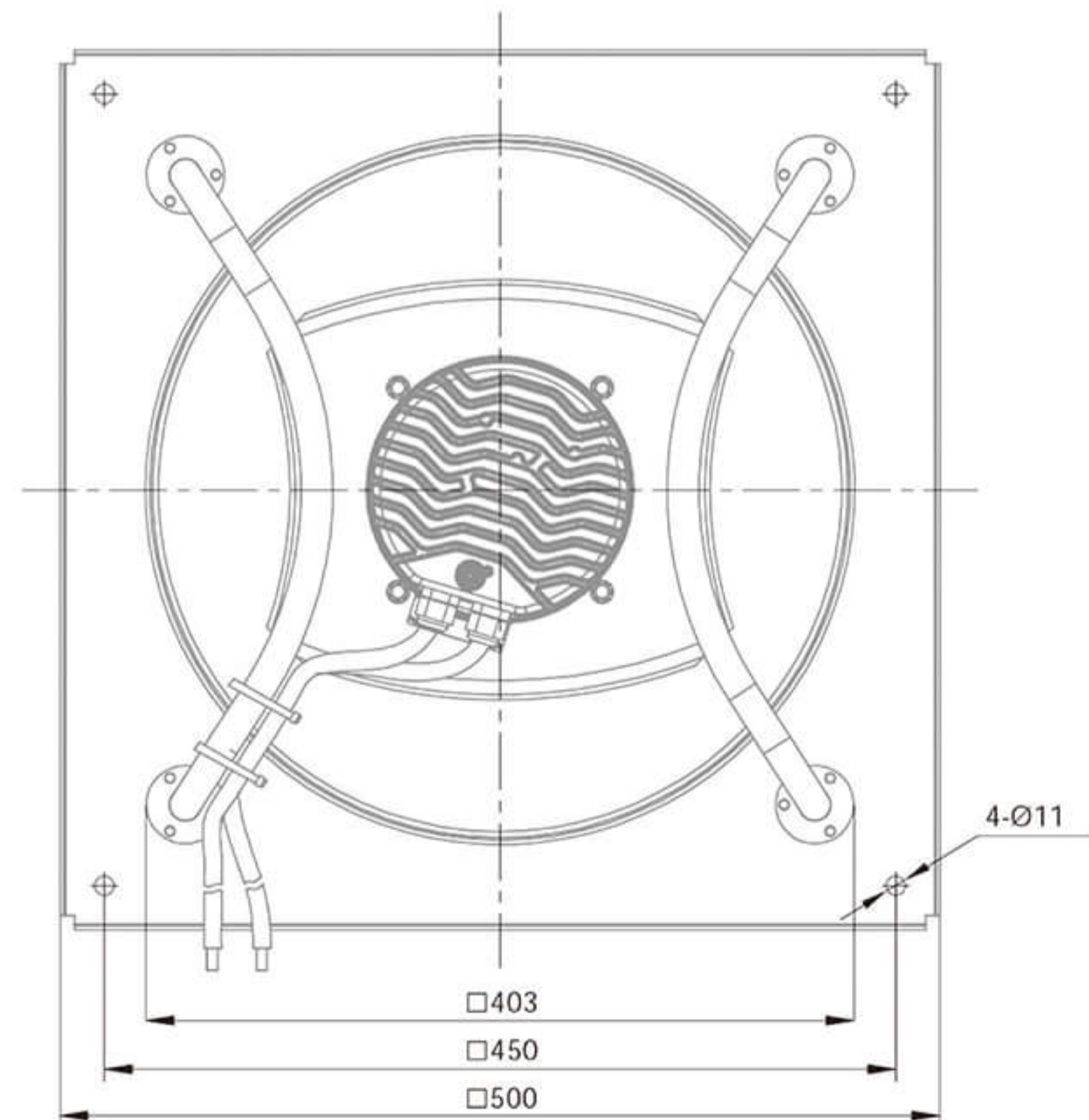
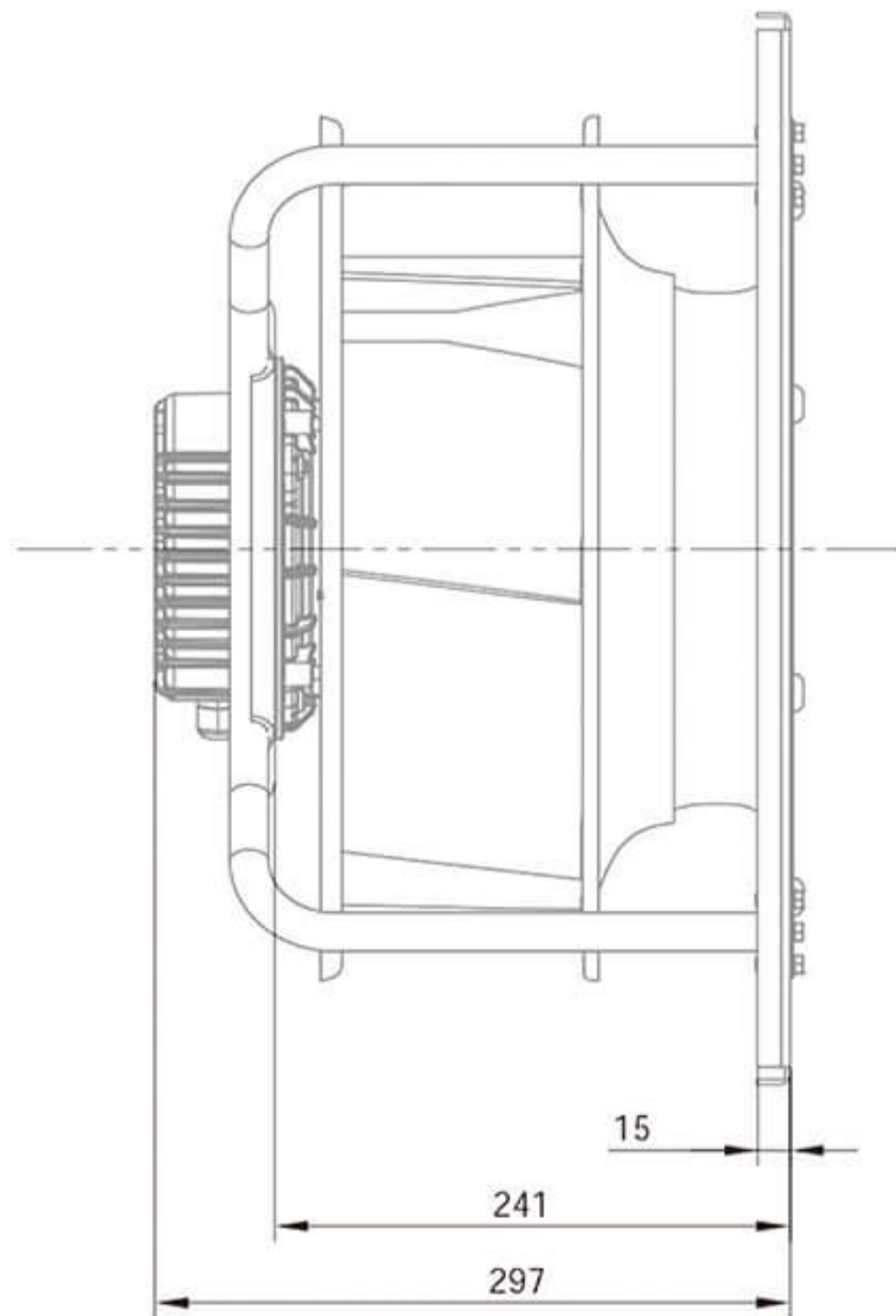
| Model | Voltage (V) | Frequency (Hz) | Input Power (W) | Current (A) | Air Volume (m³/h) | Speed (r/min) | Noise [dB(A)] | Max Environmental Temperature(°C) | Weight (Kg) |
|--------------------|-------------|----------------|-----------------|-------------|-------------------|---------------|---------------|-----------------------------------|-------------|
| BMF- 8E400-PLHDAL0 | 230 | 50/60 | 560 | 4.0 | 5050 | 1430 | 75 | 50 | 15.0 |

EC Centrifugal Plug Fans $\Phi 400$



Product Characteristic

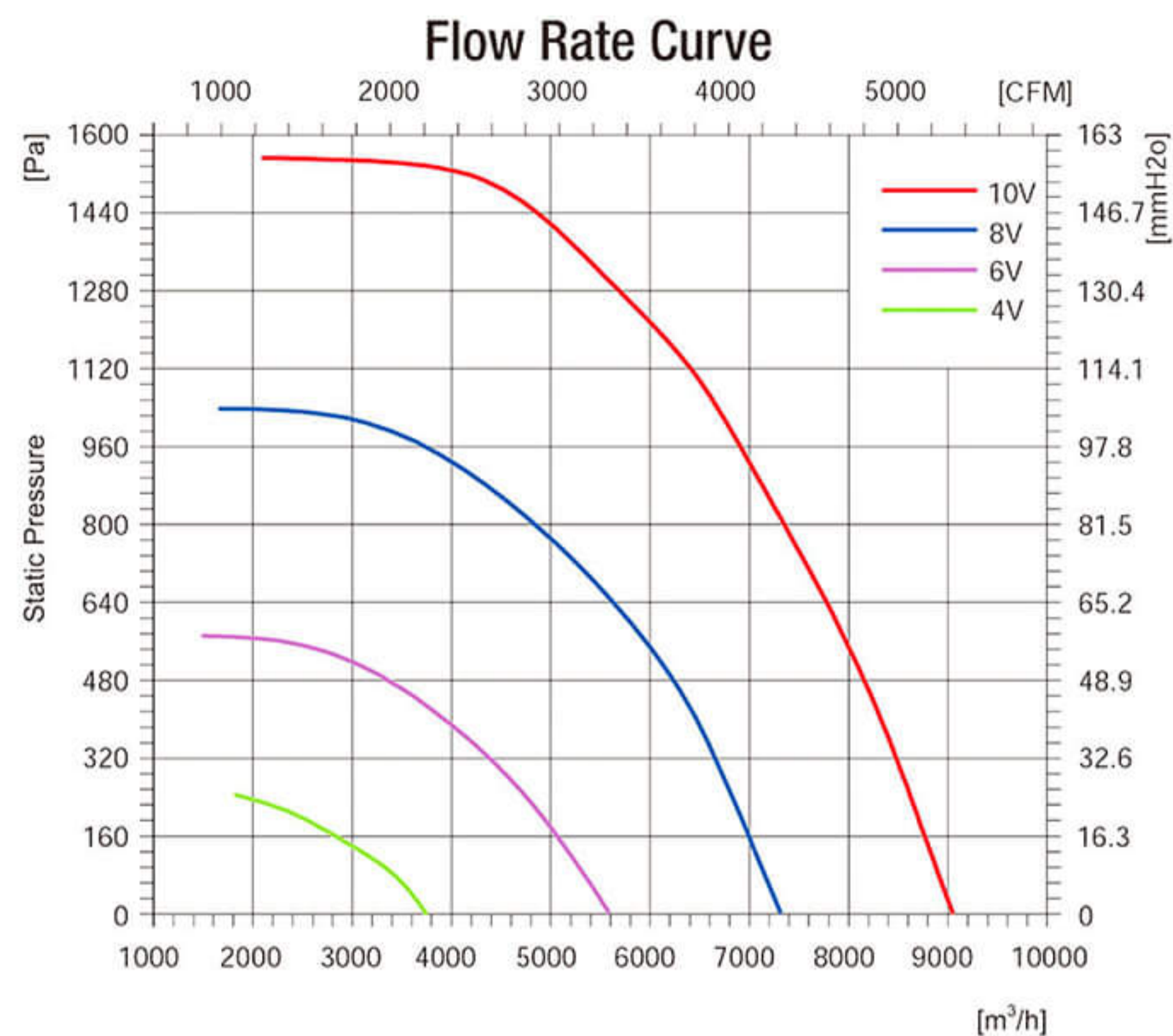
- Motor technology: EC Outer rotor
- Supply voltage: 1~, 200-277V, 50/60Hz
- Mode of Operation: S1
- Protection Class: IP54
- Insulation Class: F
- Bearings: Maintenance-free ball bearings
- Impeller Type: Backward curved
- Impeller Material: Sheet aluminium
- Rotation: C.C.W, seen on the leads
- Perm.amb.temp.: -25°C ~ +50°C
- Controller Integrated, 0-10V or PWM Control



| Model | Voltage (V) | Frequency (Hz) | Input Power (W) | Current (A) | Air Volume (m³/h) | Speed (r/min) | Noise [dB(A)] | Max Environmental Temperature(°C) | Weight (Kg) |
|-------------------|-------------|----------------|-----------------|-------------|-------------------|---------------|---------------|-----------------------------------|-------------|
| BMF-8E400-PLHDAL2 | 230 | 50/60 | 370 | 1.65 | 3920 | 1500 | 67 | 50 | 14.5 |

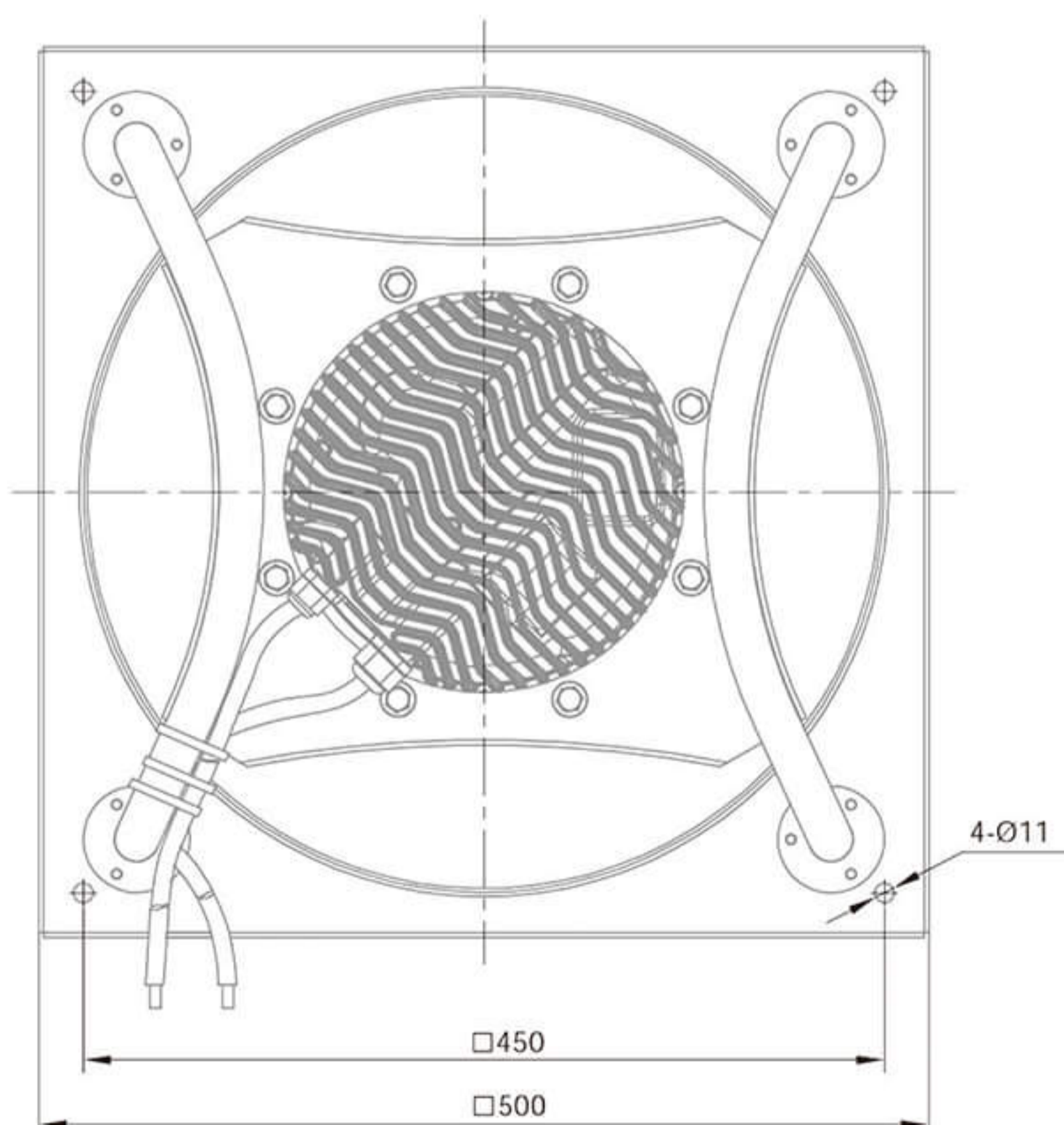
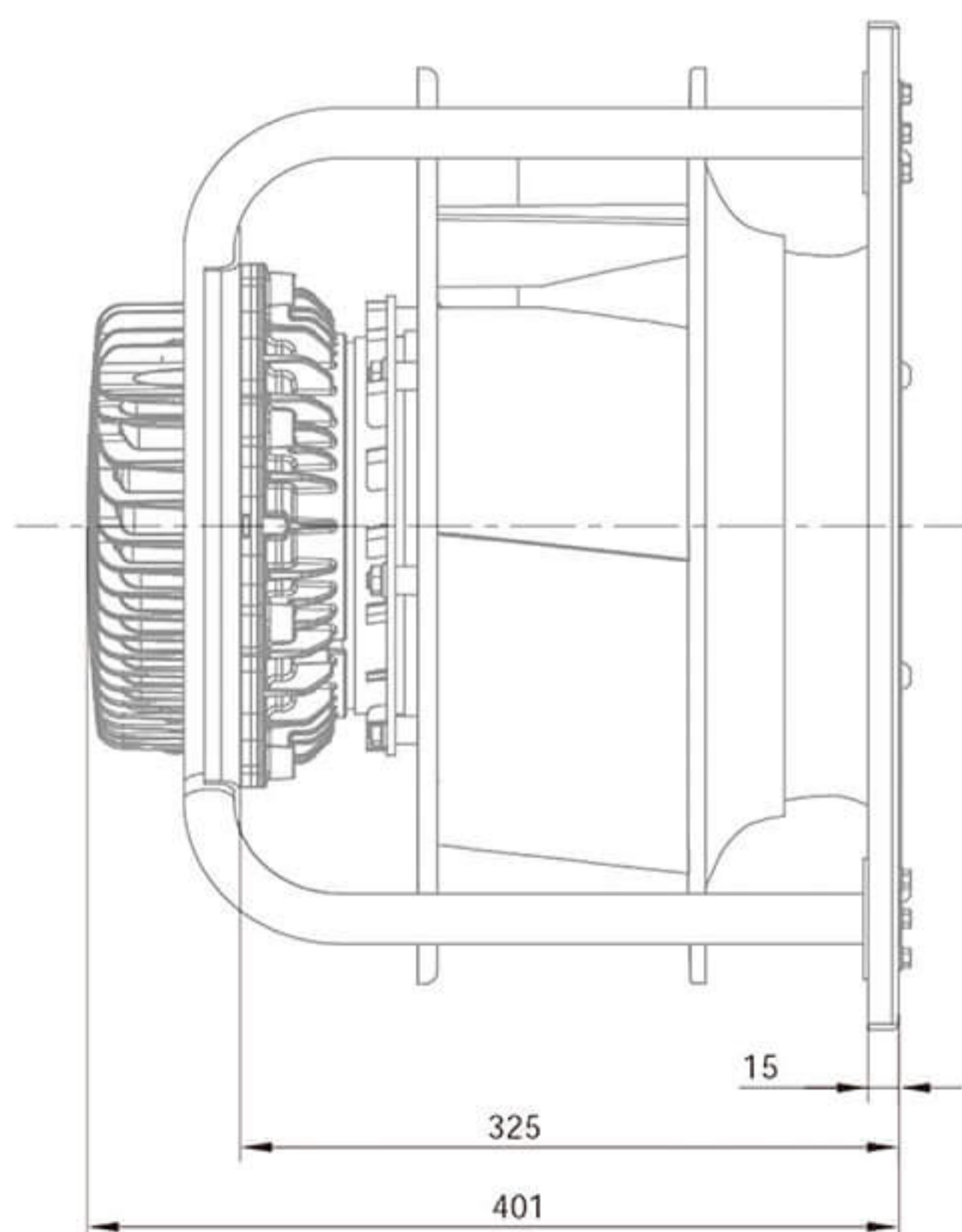
EC Centrifugal Plug Fans $\Phi 400$

ErP
2020



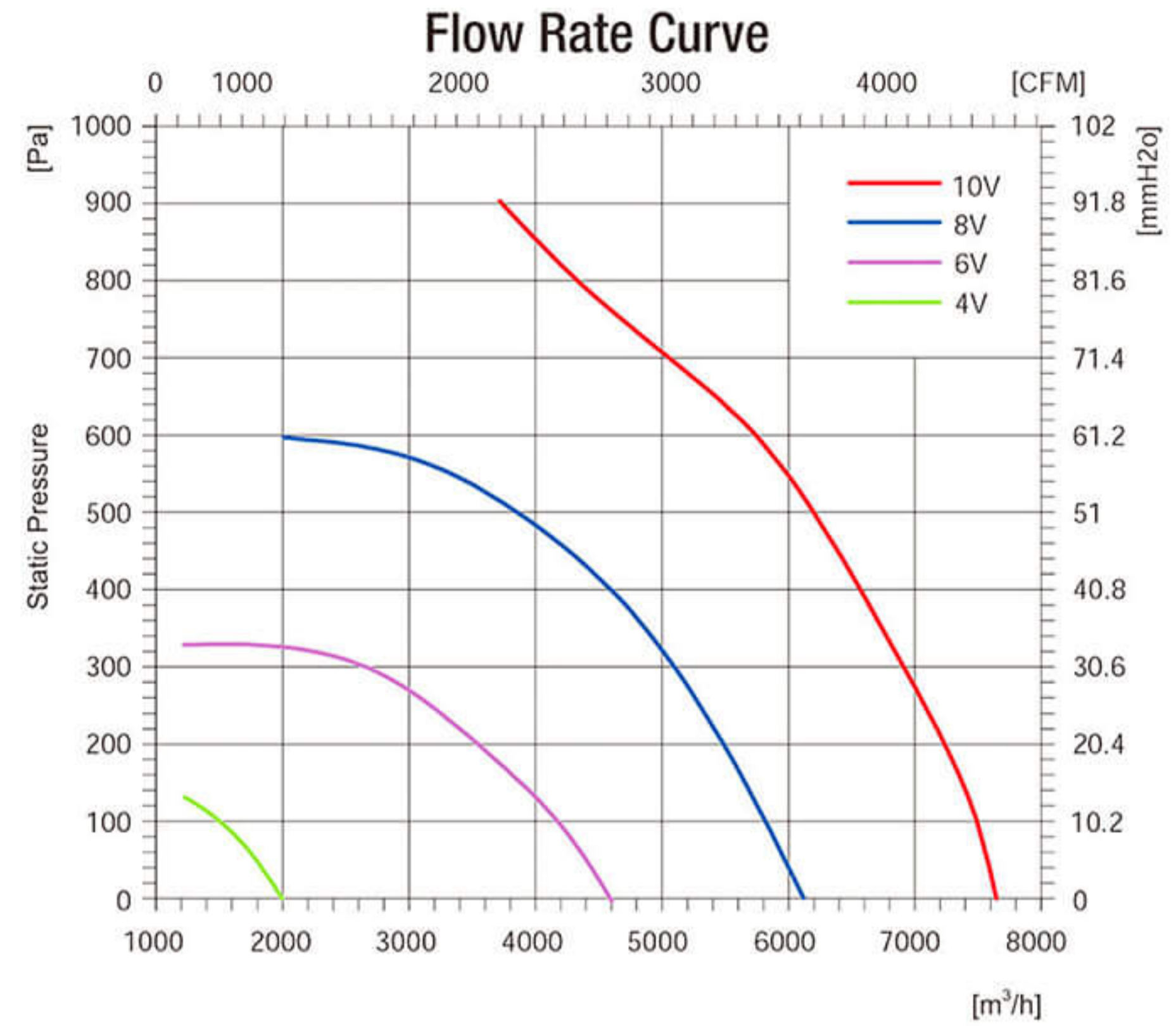
Product Characteristic

- Motor technology: EC Outer rotor
- Supply voltage: 3~, 380-480V, 50/60Hz
- Mode of Operation: S1
- Protection Class: IP54
- Insulation Class: F
- Bearings: Maintenance-free ball bearings
- Impeller Type: Backward curved
- Impeller Material: Sheet aluminium
- Rotation: C.C.W, seen on the leads
- Perm.amb.temp.: -25°C ~ +50°C
- Controller Integrated, 0-10V or PWM Control



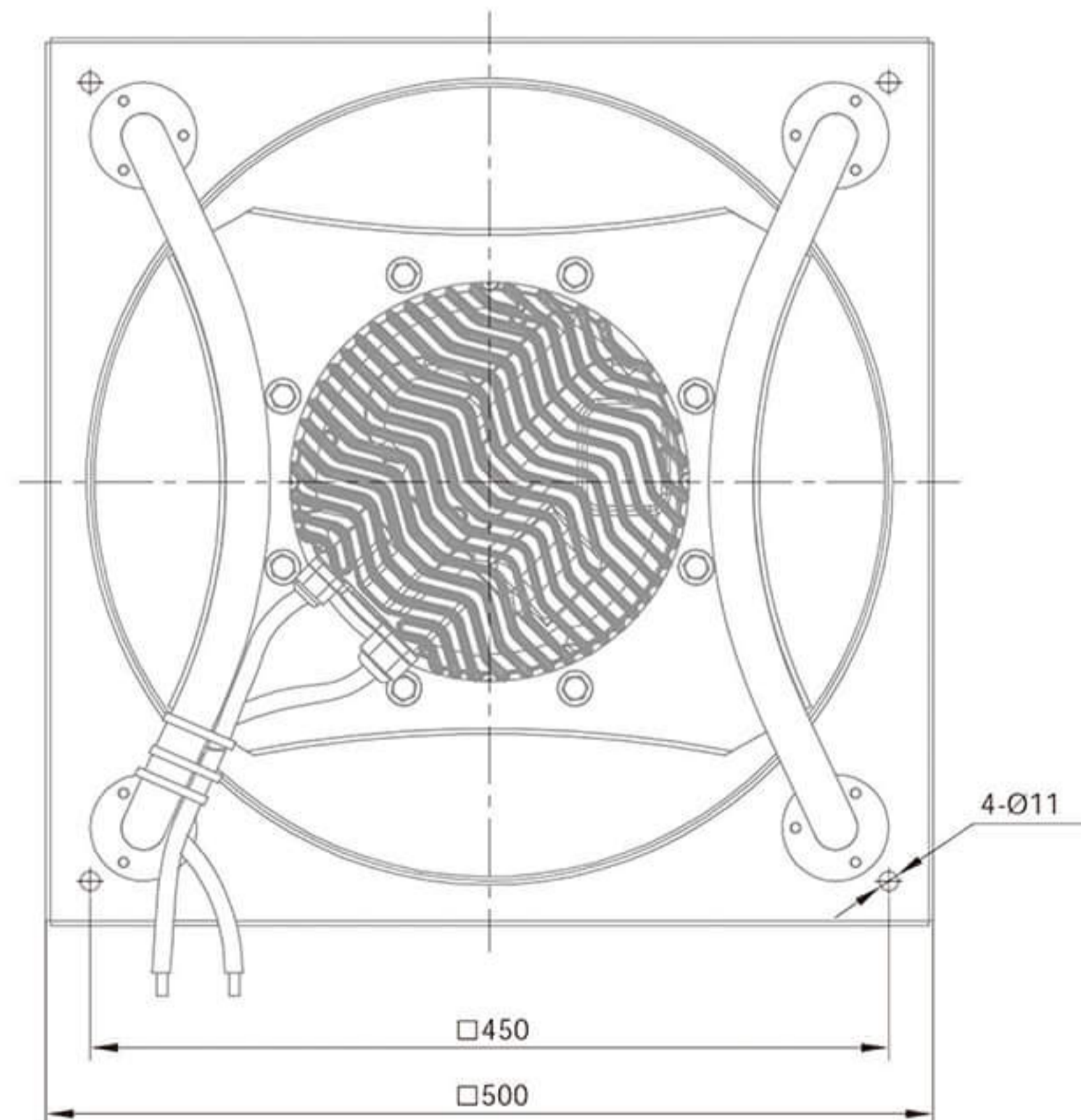
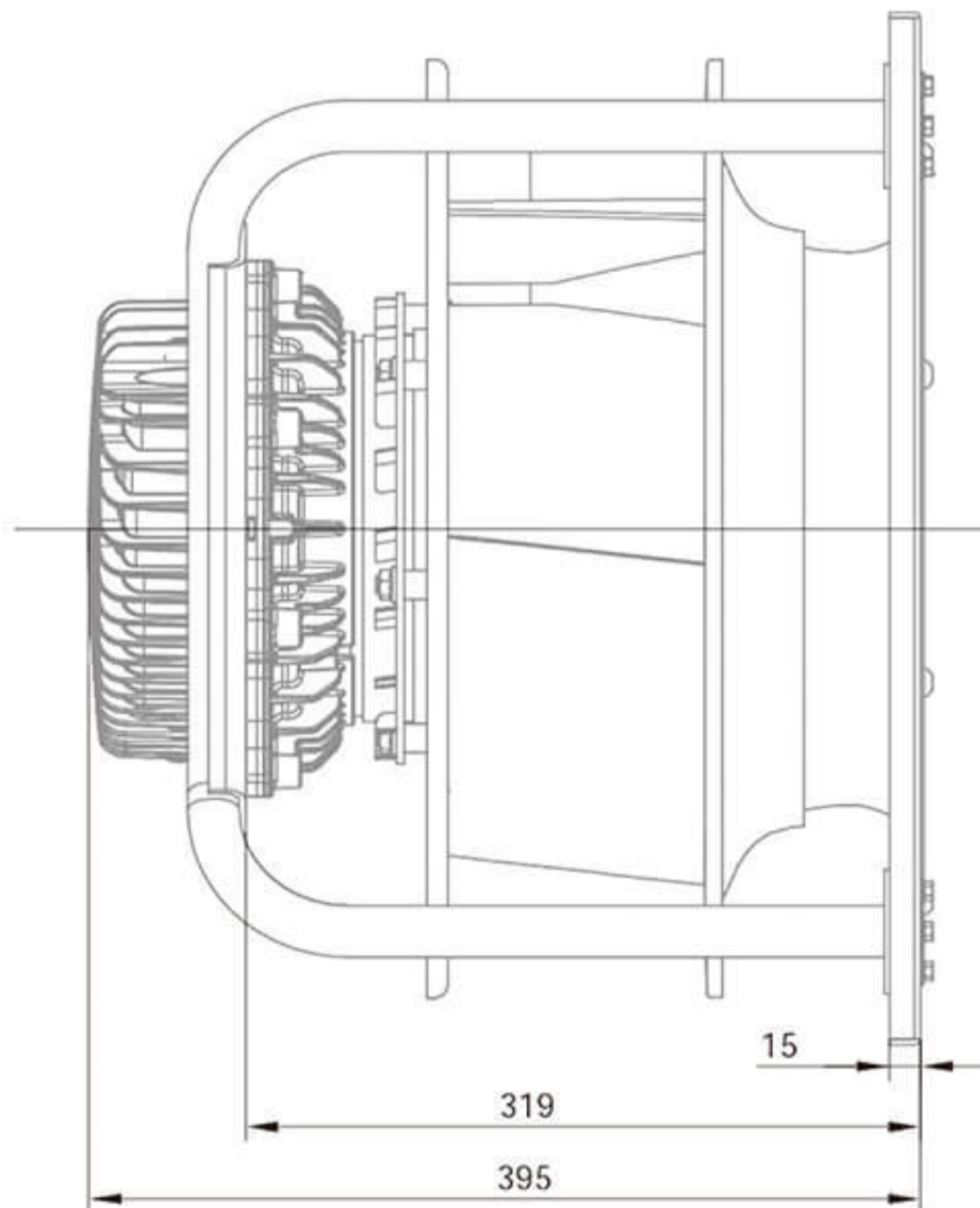
| Model | Voltage (V) | Frequency (Hz) | Input Power (W) | Current (A) | Air Volume (m³/h) | Speed (r/min) | Noise [dB(A)] | Max Environmental Temperature(°C) | Weight (Kg) |
|-------------------|-------------|----------------|-----------------|-------------|-------------------|---------------|---------------|-----------------------------------|-------------|
| BMF-8D400-PLHDAL0 | 400 | 50/60 | 3350 | 5.0 | 9100 | 2640 | 86 | 50 | 33.0 |

EC Centrifugal Plug Fans $\Phi 400$



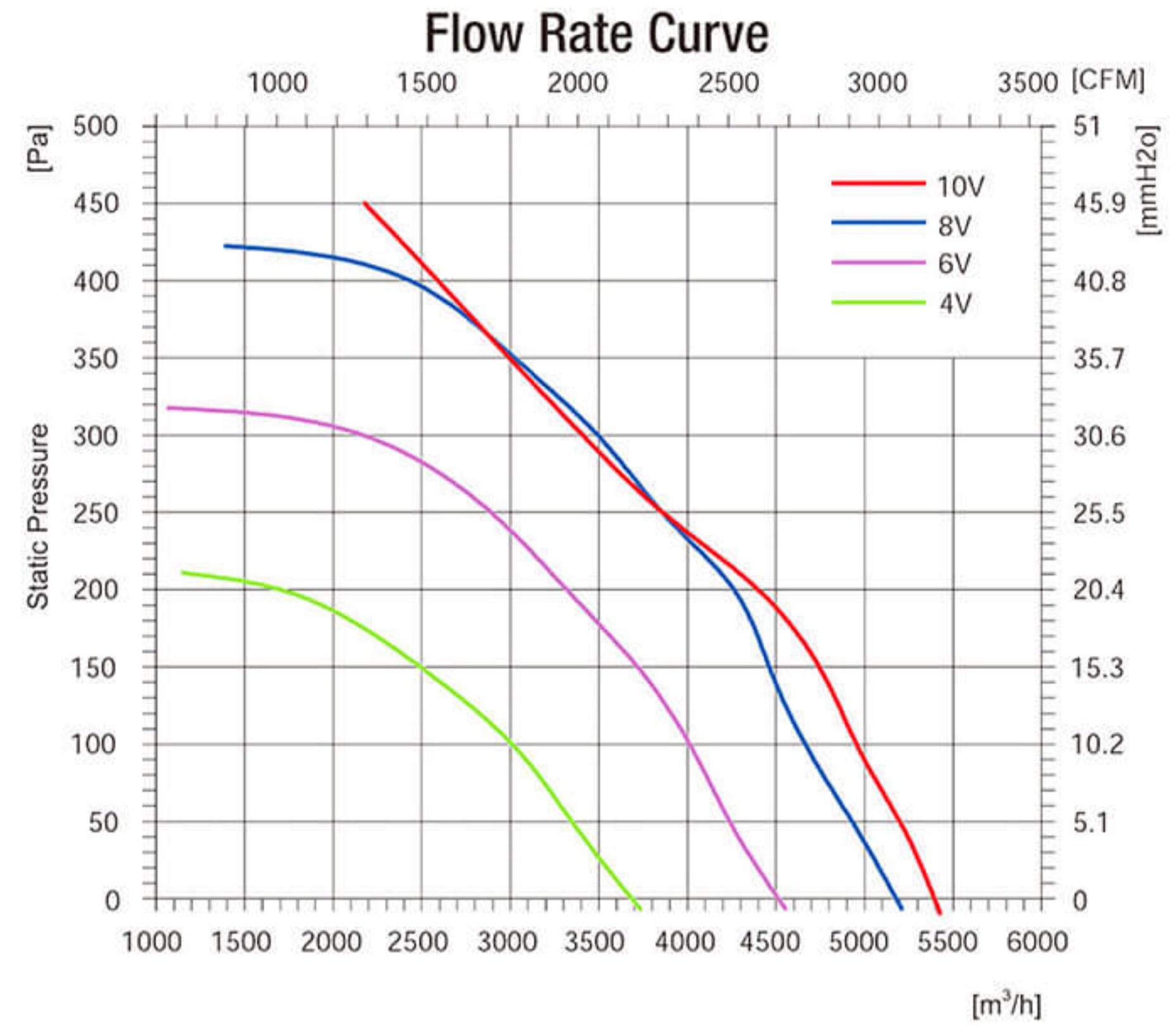
Product Characteristic

- Motor technology: EC Outer rotor
- Supply voltage: 3~, 380-480V, 50/60Hz
- Mode of Operation: S1
- Protection Class: IP54
- Insulation Class: F
- Bearings: Maintenance-free ball bearings
- Impeller Type: Backward curved
- Impeller Material: Sheet aluminium
- Rotation: C.C.W, seen on the leads
- Perm.amb.temp.: -25°C ~ +50°C
- Controller Integrated, 0-10V or PWM Control



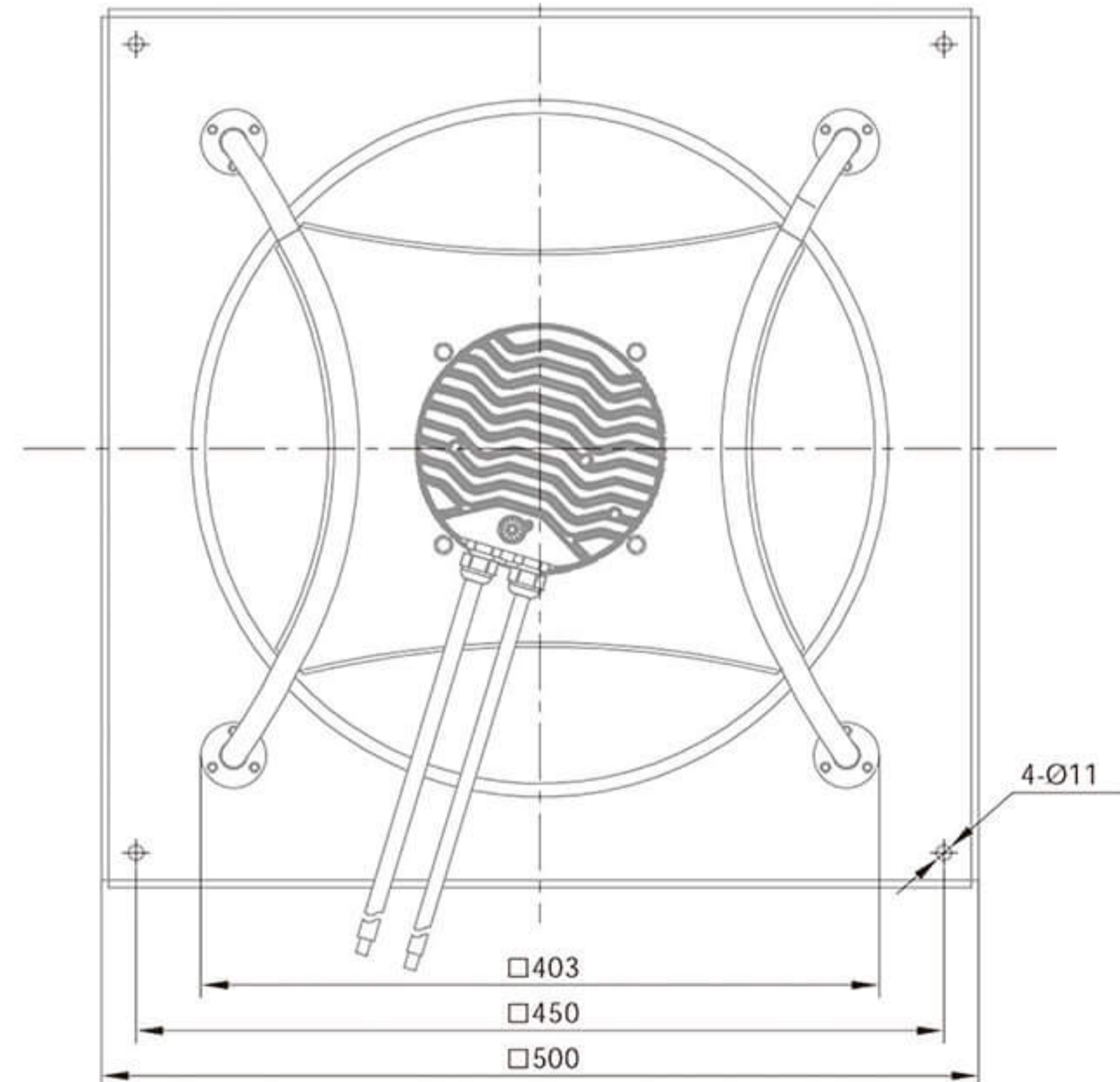
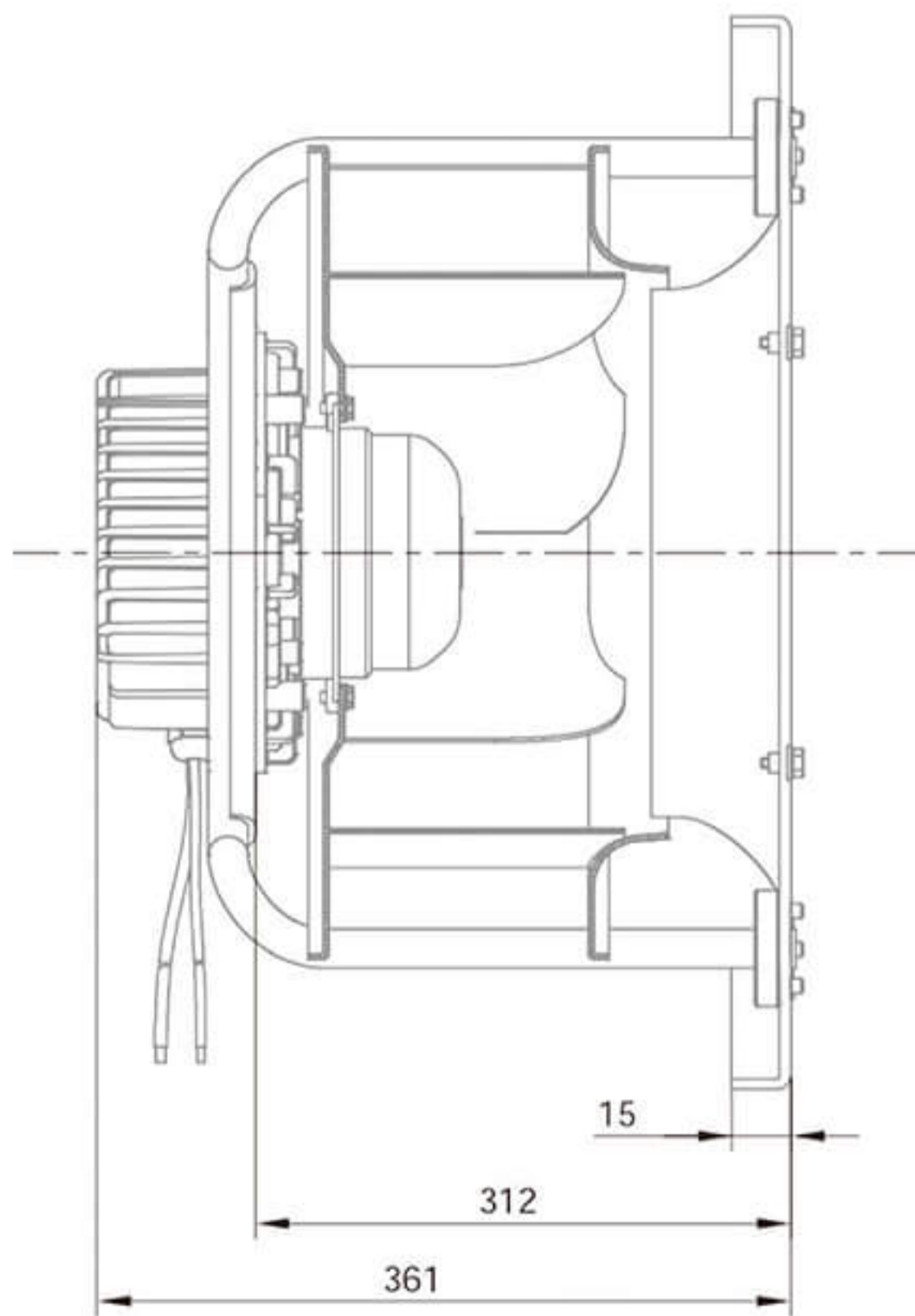
| Model | Voltage (V) | Frequency (Hz) | Input Power (W) | Current (A) | Air Volume (m³/h) | Speed (r/min) | Noise [dB(A)] | Max Environmental Temperature(°C) | Weight (Kg) |
|--------------------|-------------|----------------|-----------------|-------------|-------------------|---------------|---------------|-----------------------------------|-------------|
| BMF- 8D400-PLHDAL1 | 400 | 50/60 | 1580 | 2.5 | 7600 | 2100 | 77 | 50 | 22.0 |

EC Centrifugal Plug Fans $\Phi 450$



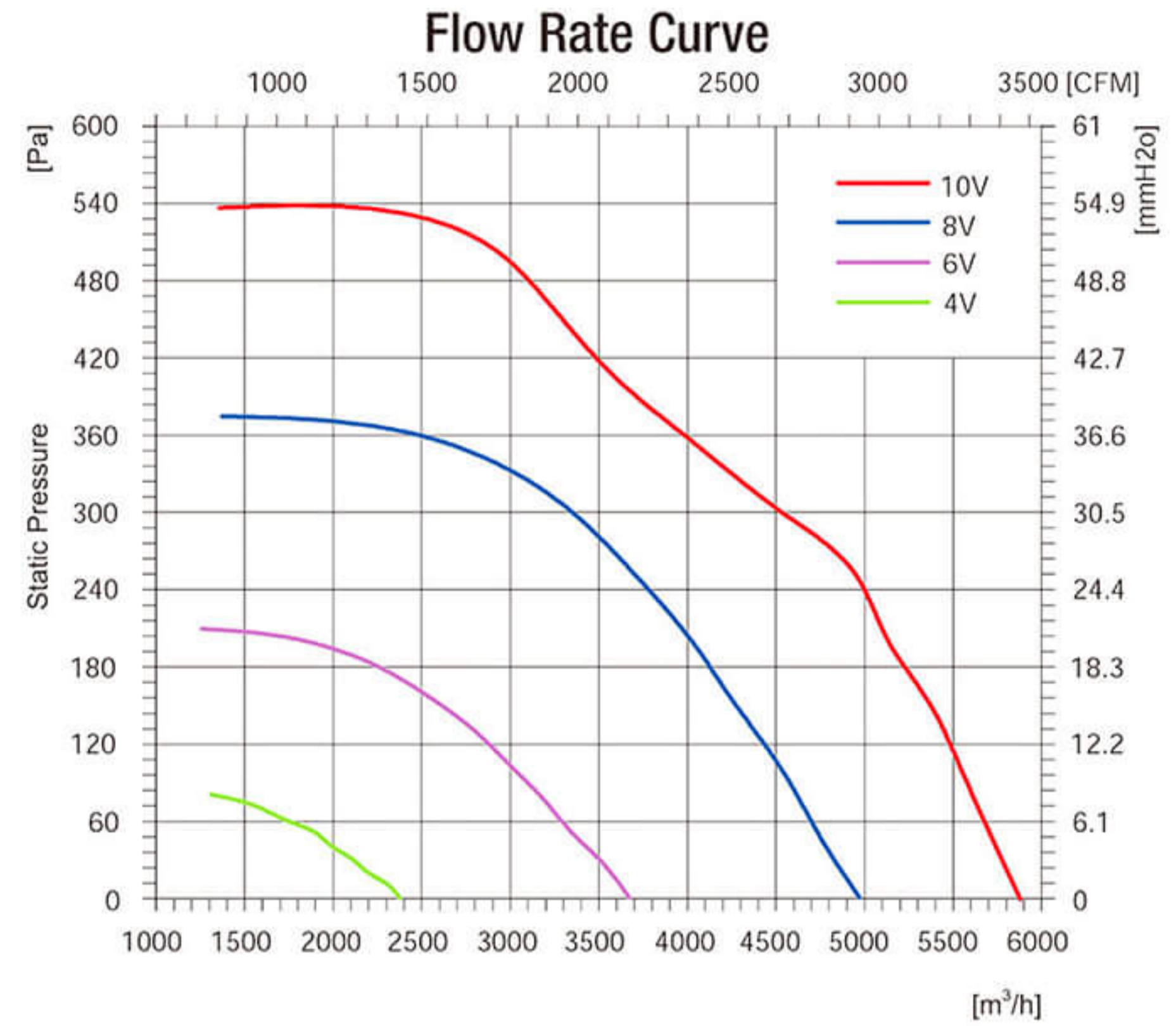
Product Characteristic

- Motor technology: EC Outer rotor
- Supply voltage: 1~, 200-277V, 50/60Hz
- Mode of Operation: S1
- Protection Class: IP54
- Insulation Class: F
- Bearings: Maintenance-free ball bearings
- Impeller Type: Backward curved
- Impeller Material: Sheet aluminium
- Rotation: C.C.W, seen on the leads
- Perm.amb.temp.: -25°C ~ +50°C
- Controller Integrated, 0-10V or PWM Control



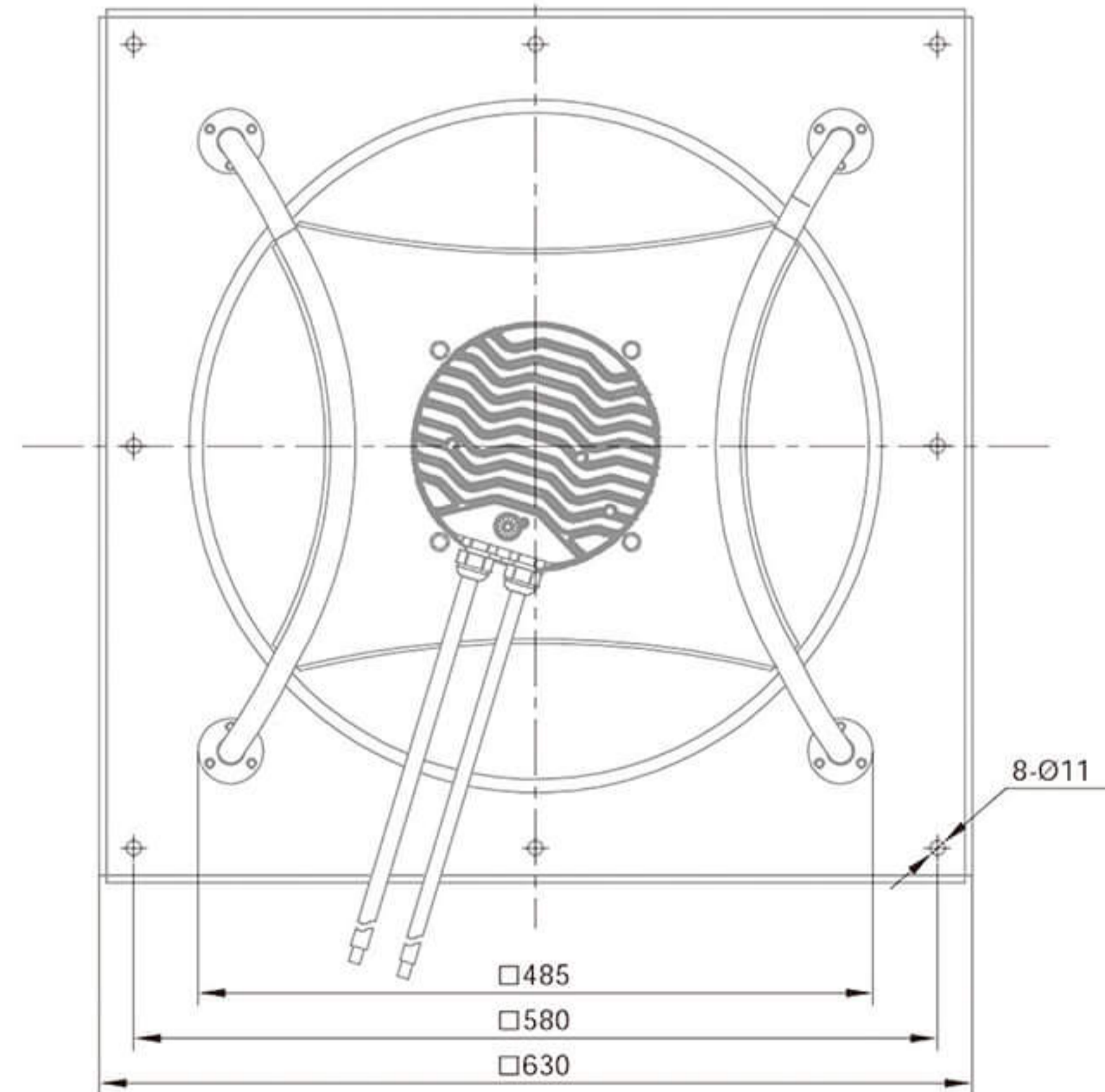
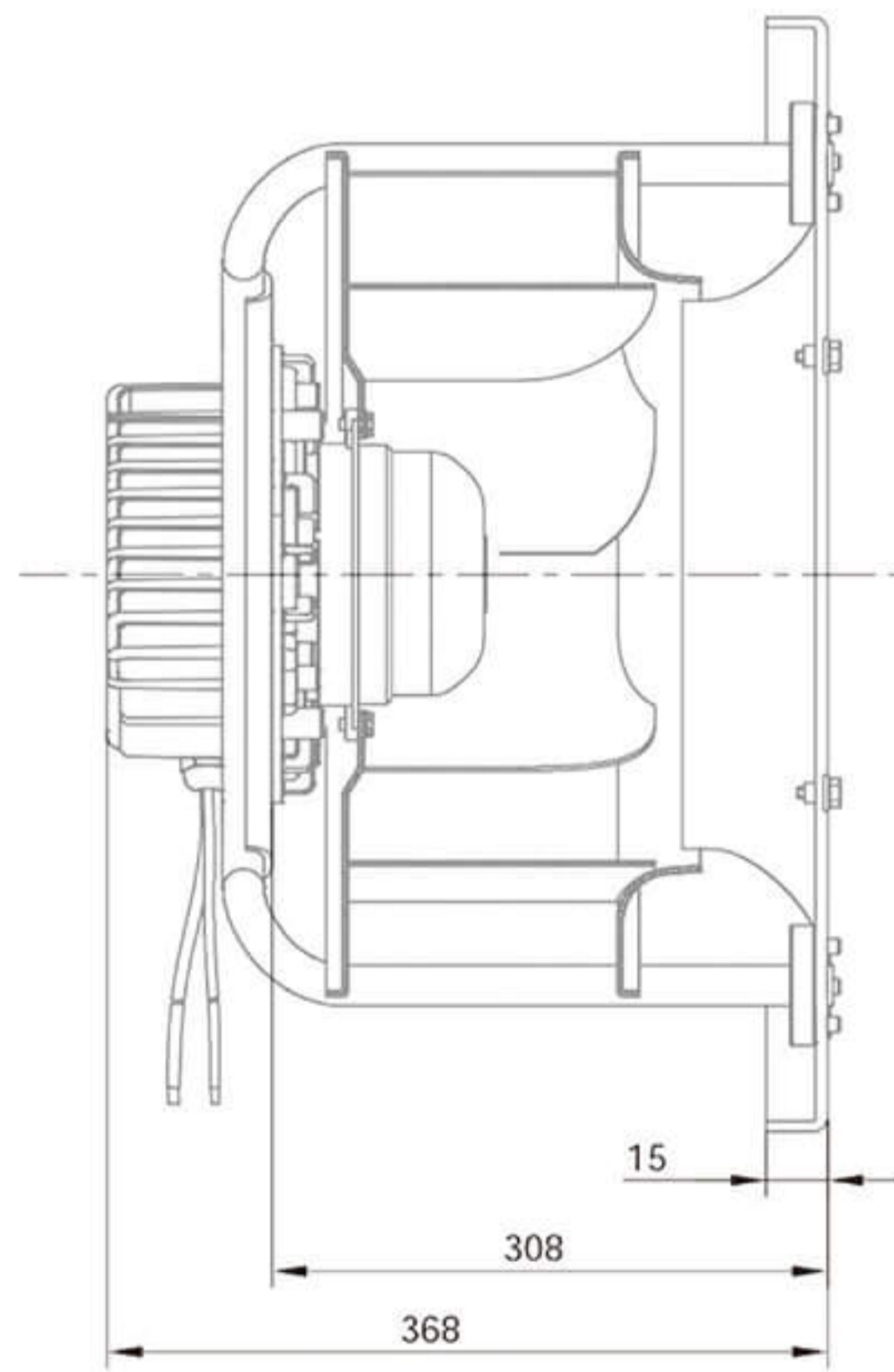
| Model | Voltage (V) | Frequency (Hz) | Input Power (W) | Current (A) | Air Volume (m³/h) | Speed (r/min) | Noise [dB(A)] | Max Environmental Temperature(°C) | Weight (Kg) |
|-------------------|-------------|----------------|-----------------|-------------|-------------------|---------------|---------------|-----------------------------------|-------------|
| BMF-8E450-PLHDAL0 | 230 | 50/60 | 562 | 4.38 | 5500 | 1300 | 74 | 50 | 23.0 |

EC Centrifugal Plug Fans $\Phi 450$



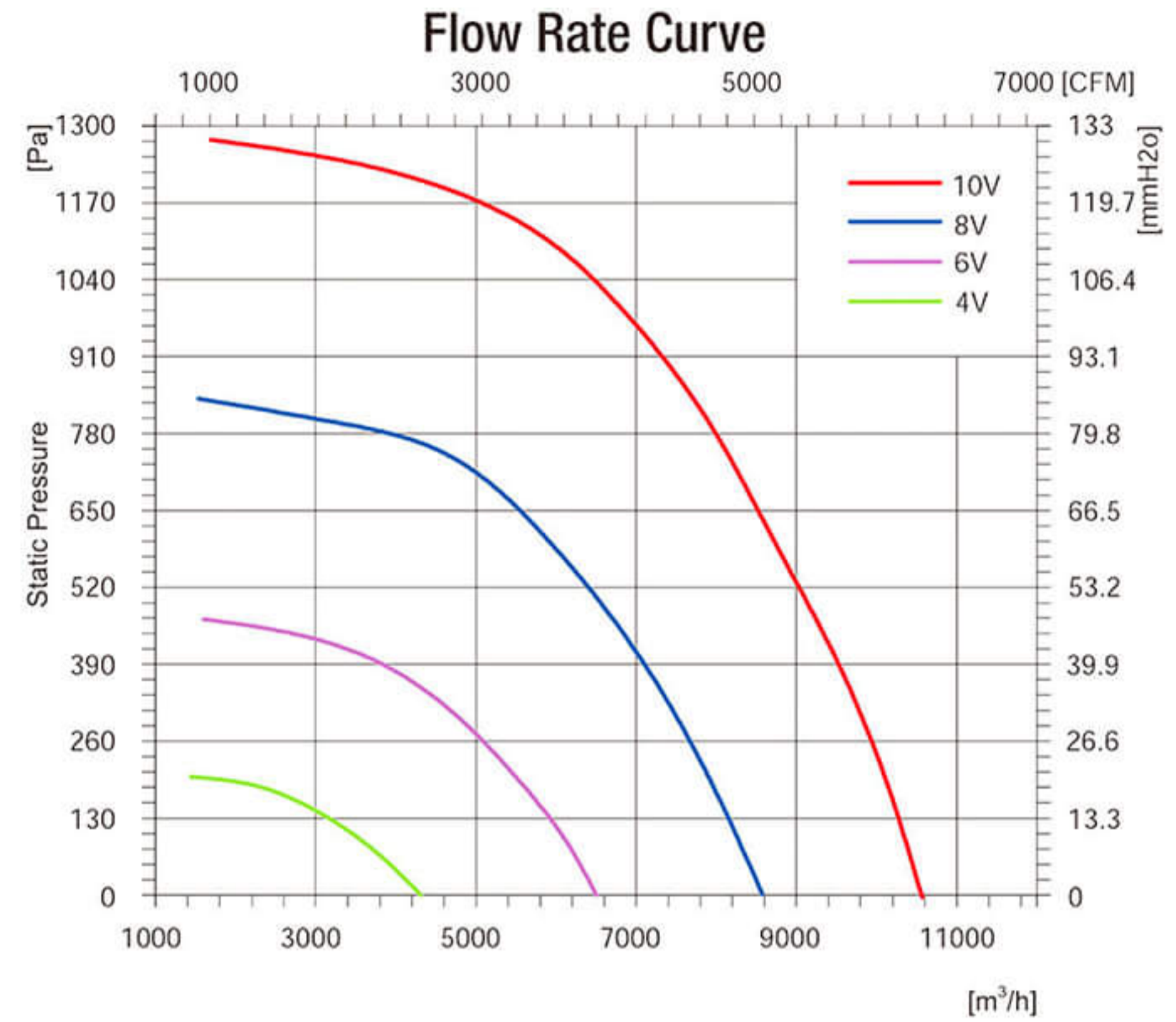
Product Characteristic

- Motor technology: EC Outer rotor
- Supply voltage: 1~, 200-277V, 50/60Hz
- Mode of Operation: S1
- Protection Class: IP54
- Insulation Class: F
- Bearings: Maintenance-free ball bearings
- Impeller Type: Backward curved
- Impeller Material: Sheet aluminium
- Rotation: C.C.W, seen on the leads
- Perm.amb.temp.: -25°C ~ +50°C
- Controller Integrated, 0-10V or PWM Control



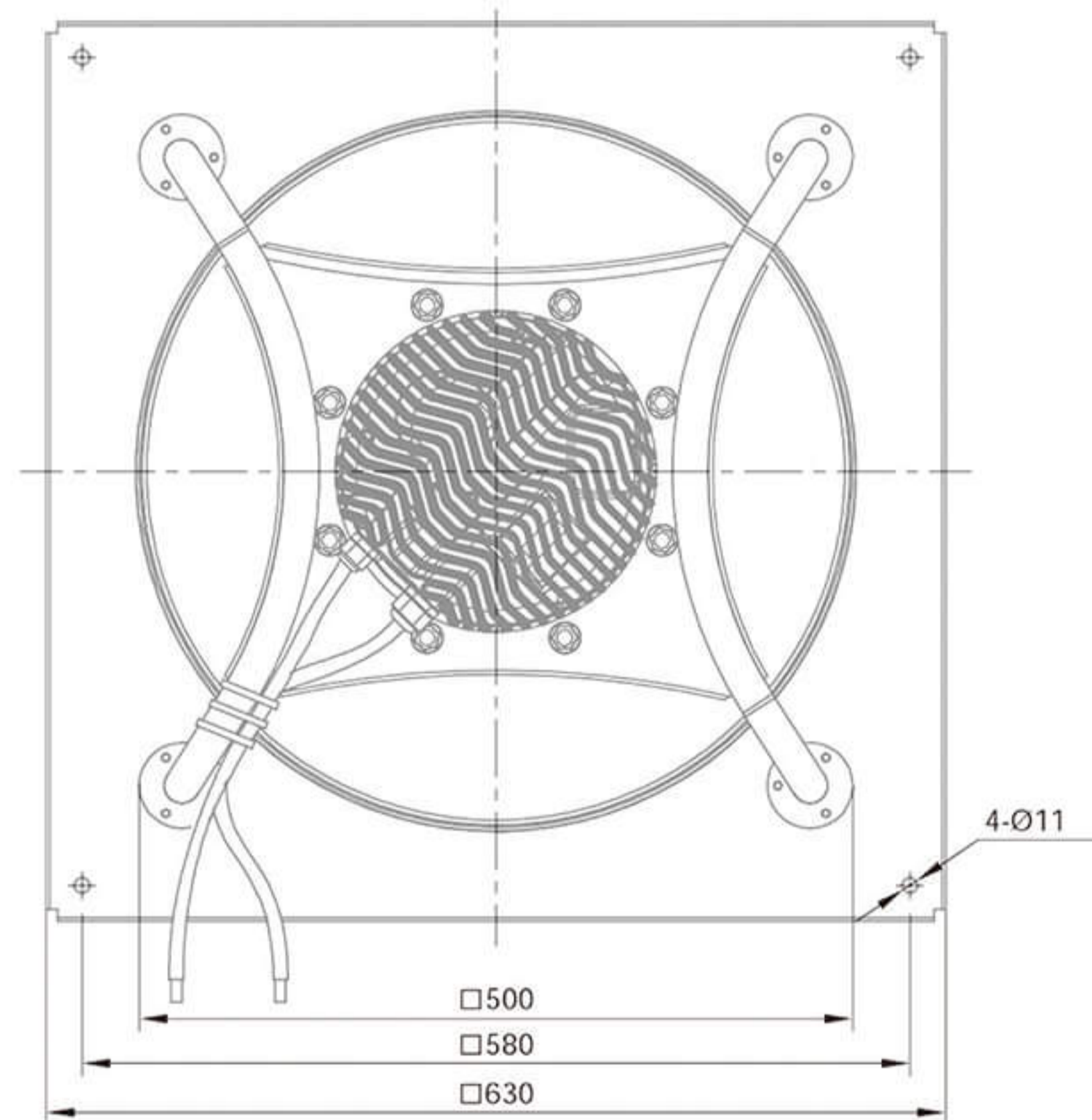
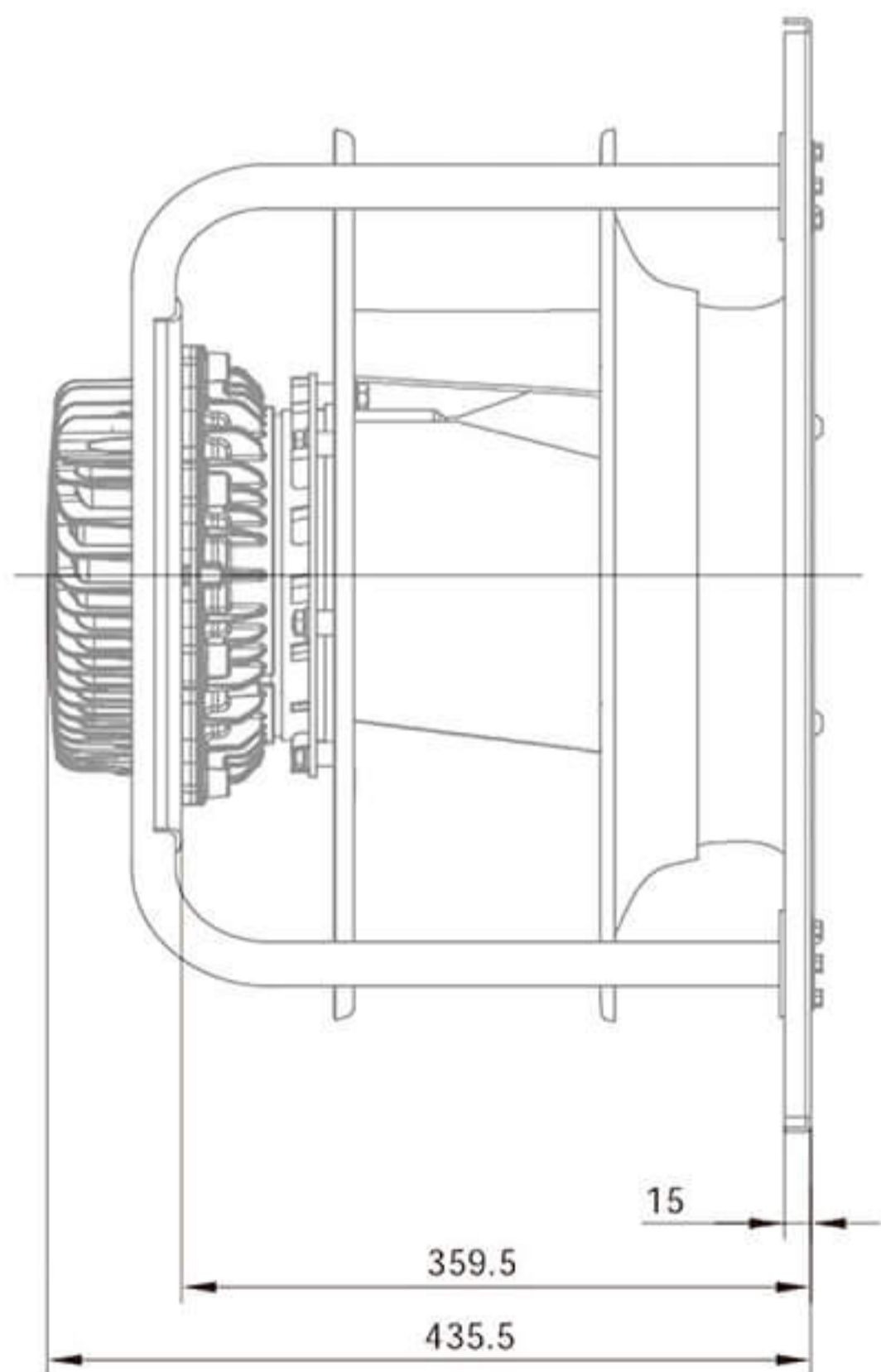
| Model | Voltage (V) | Frequency (Hz) | Input Power (W) | Current (A) | Air Volume (m³/h) | Speed (r/min) | Noise [dB(A)] | Max Environmental Temperature(°C) | Weight (Kg) |
|--------------------|-------------|----------------|-----------------|-------------|-------------------|---------------|---------------|-----------------------------------|-------------|
| BMF- 8E450-PLHDAL1 | 230 | 50/60 | 795 | 3.44 | 5800 | 1400 | 75 | 50 | 25.0 |

EC Centrifugal Plug Fans $\Phi 450$



Product Characteristic

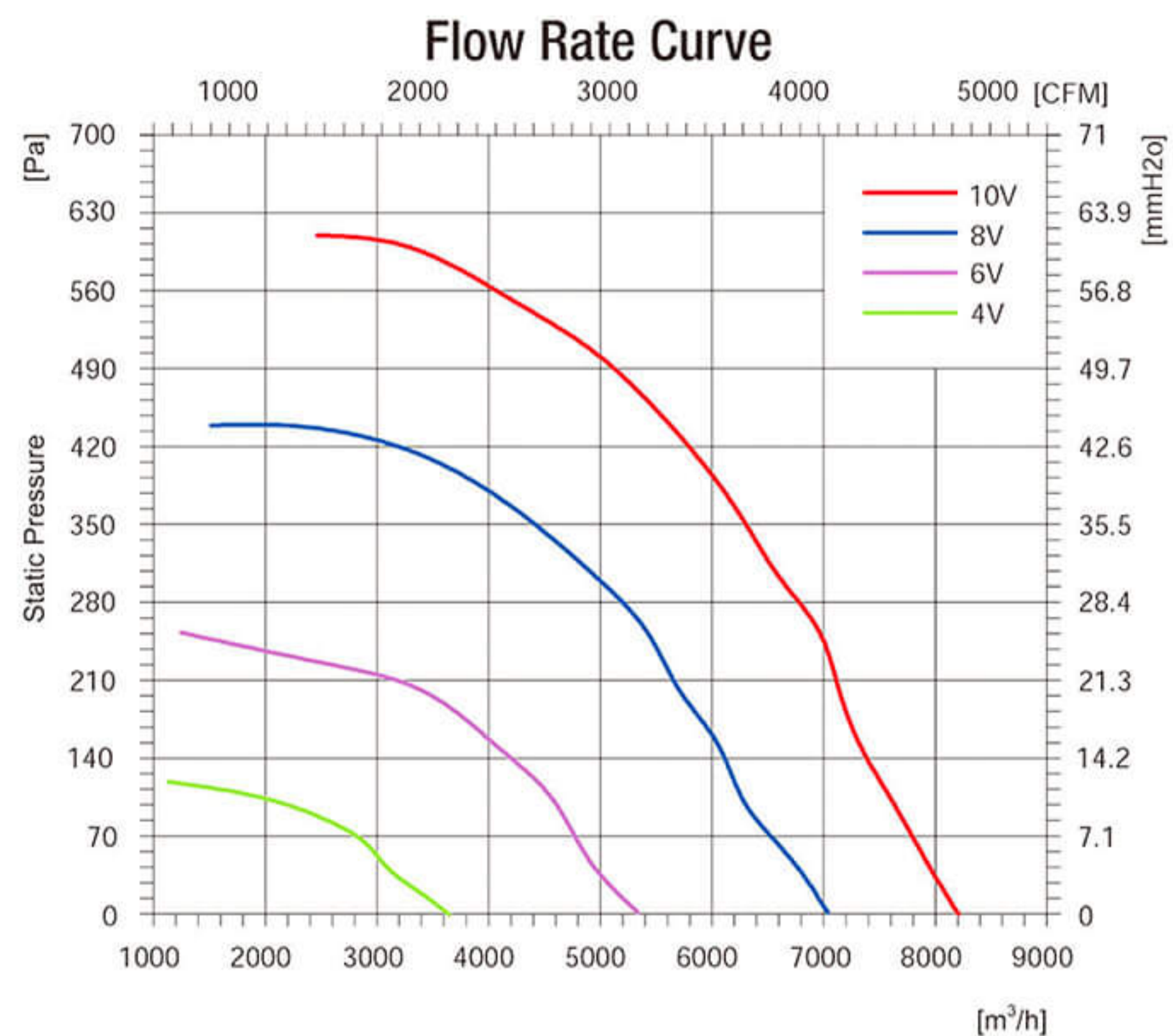
- Motor technology: EC Outer rotor
- Supply voltage: 3~, 380-480V, 50/60Hz
- Mode of Operation: S1
- Protection Class: IP54
- Insulation Class: F
- Bearings: Maintenance-free ball bearings
- Impeller Type: Backward curved
- Impeller Material: Sheet aluminium
- Rotation: C.C.W, seen on the leads
- Perm.amb.temp.: -25°C ~ +50°C
- Controller Integrated, 0-10V or PWM Control



| Model | Voltage (V) | Frequency (Hz) | Input Power (W) | Current (A) | Air Volume (m³/h) | Speed (r/min) | Noise [dB(A)] | Max Environmental Temperature(°C) | Weight (Kg) |
|--------------------|-------------|----------------|-----------------|-------------|-------------------|---------------|---------------|-----------------------------------|-------------|
| BMF- 8D450-PLHDAL3 | 400 | 50/60 | 2950 | 4.5 | 10600 | 2150 | 83 | 50 | 39.0 |

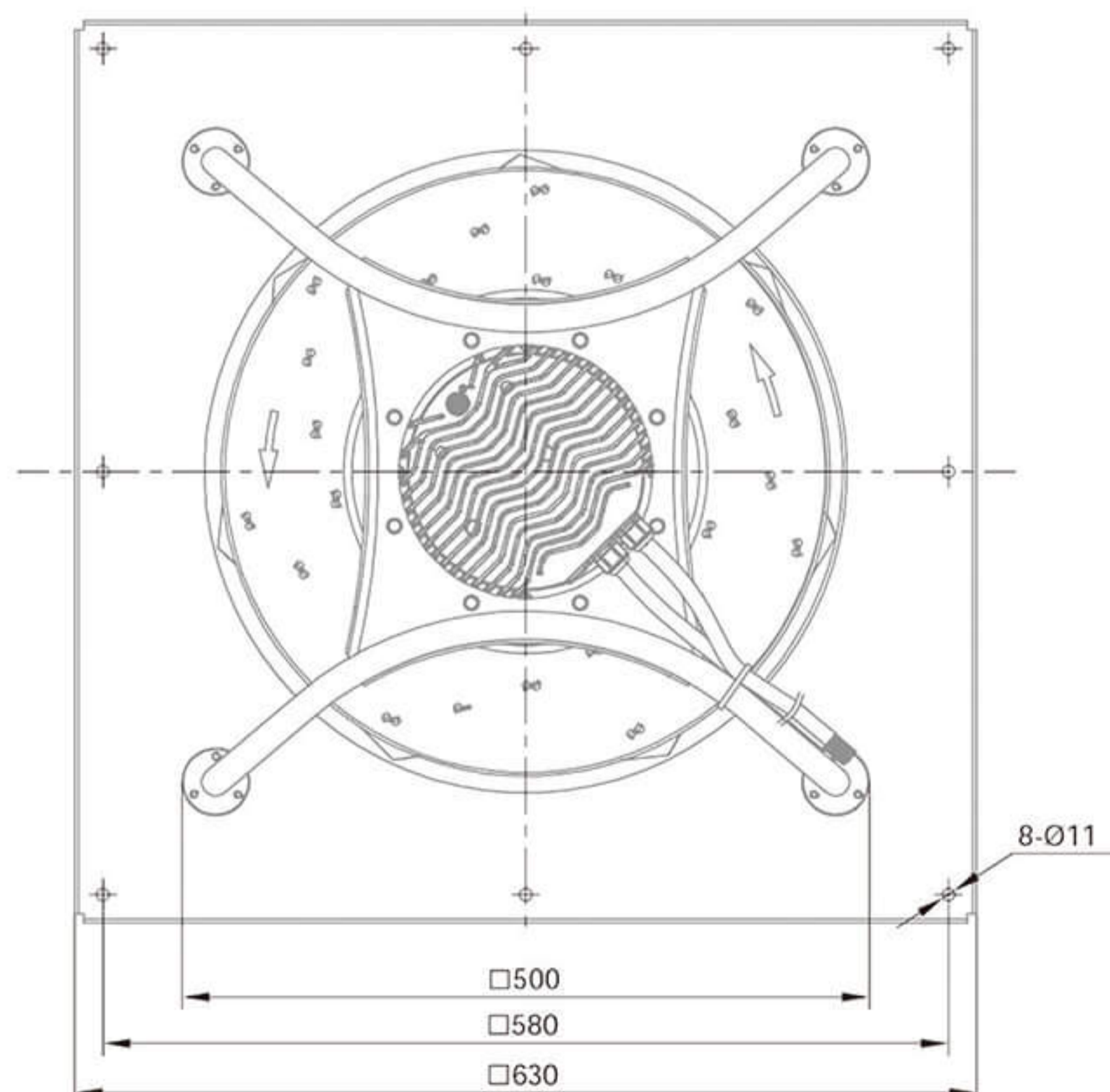
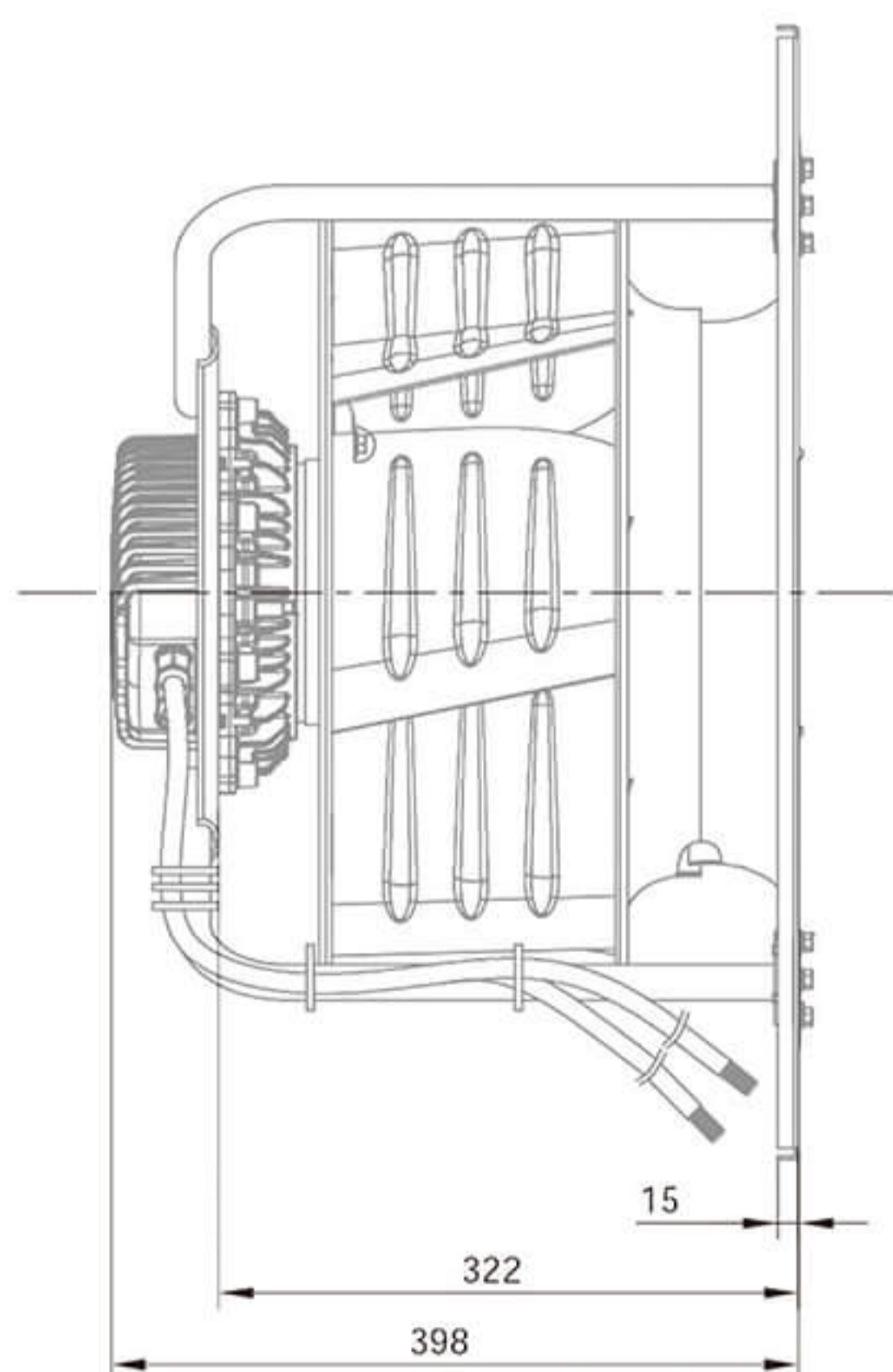
EC Centrifugal Plug Fans $\Phi 500$

ErP
2020



Product Characteristic

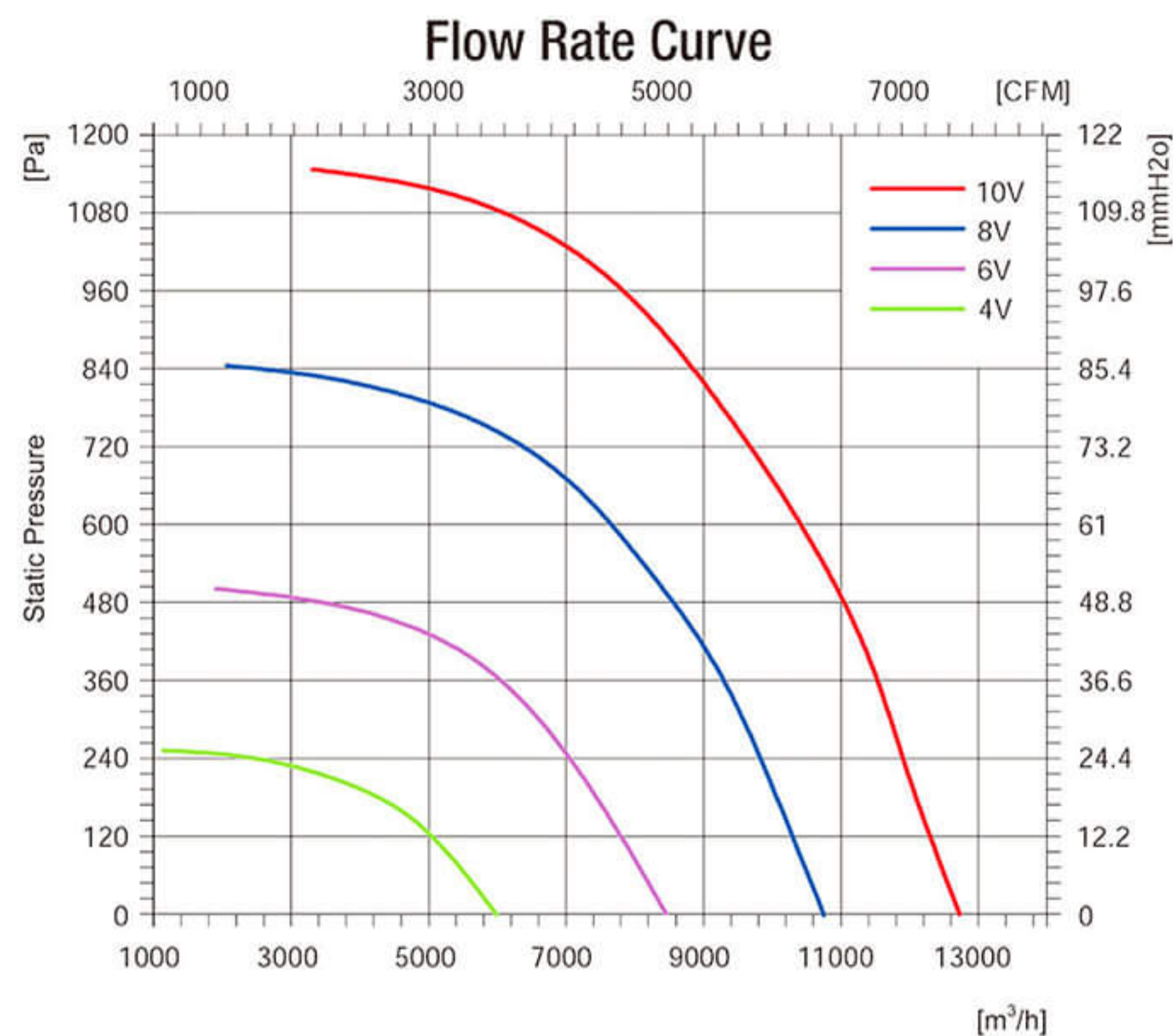
- Motor technology: EC Outer rotor
- Supply voltage: 3~, 380-480V, 50/60Hz
- Mode of Operation: S1
- Protection Class: IP54
- Insulation Class: F
- Bearings: Maintenance-free ball bearings
- Impeller Type: Backward curved
- Impeller Material: Sheet aluminium
- Rotation: C.C.W, seen on the leads
- Perm.amb.temp.: -25°C ~ +50°C
- Controller Integrated, 0-10V or PWM Control



| Model | Voltage (V) | Frequency (Hz) | Input Power (W) | Current (A) | Air Volume (m³/h) | Speed (r/min) | Noise [dB(A)] | Max Environmental Temperature(°C) | Weight (Kg) |
|--------------------|-------------|----------------|-----------------|-------------|-------------------|---------------|---------------|-----------------------------------|-------------|
| BMF- 8D500-PLHDAL0 | 400 | 50/60 | 1250 | 2.1 | 8200 | 1470 | 72 | 50 | 35.0 |

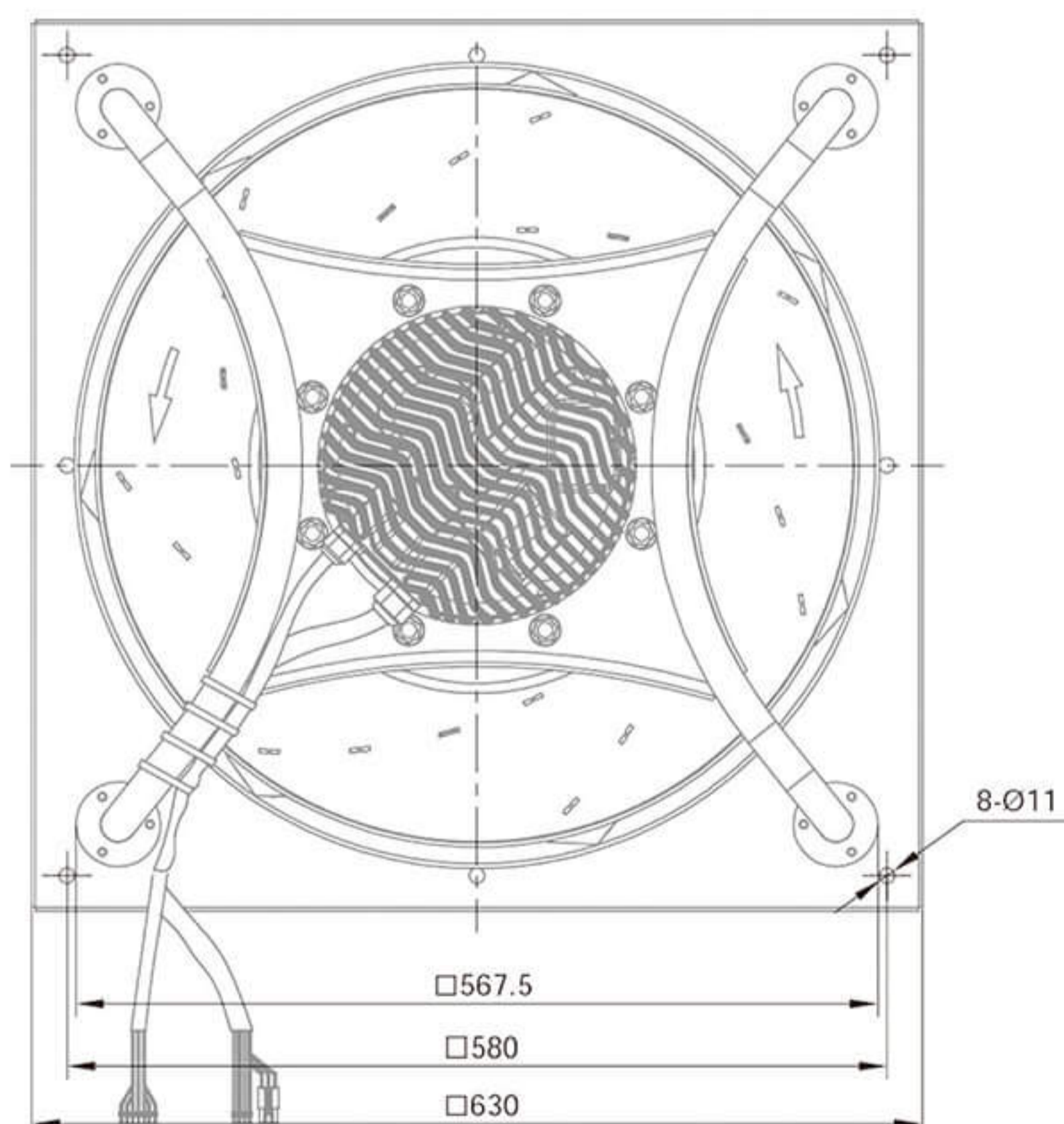
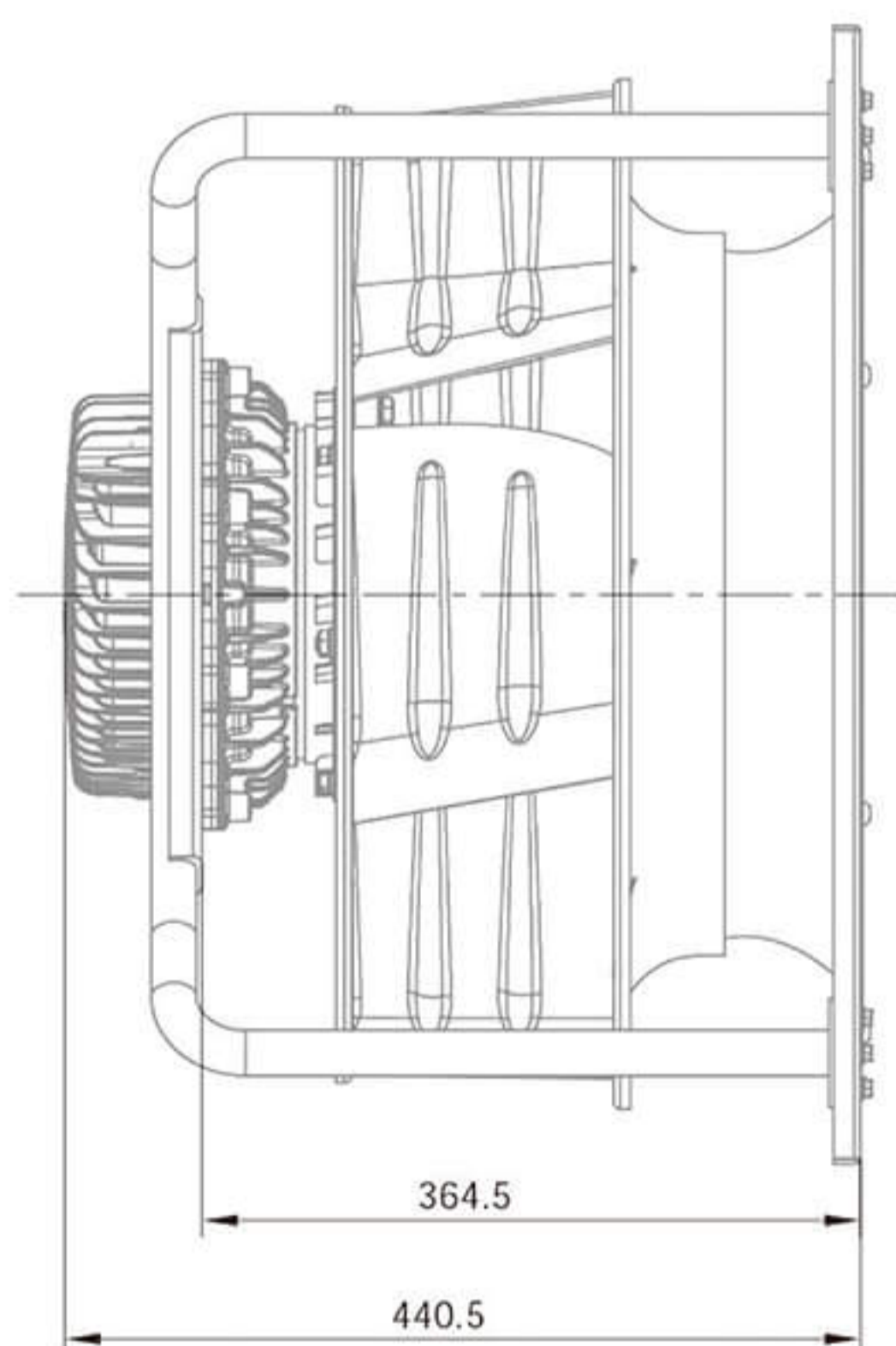
EC Centrifugal Plug Fans $\Phi 500$

ErP
2020



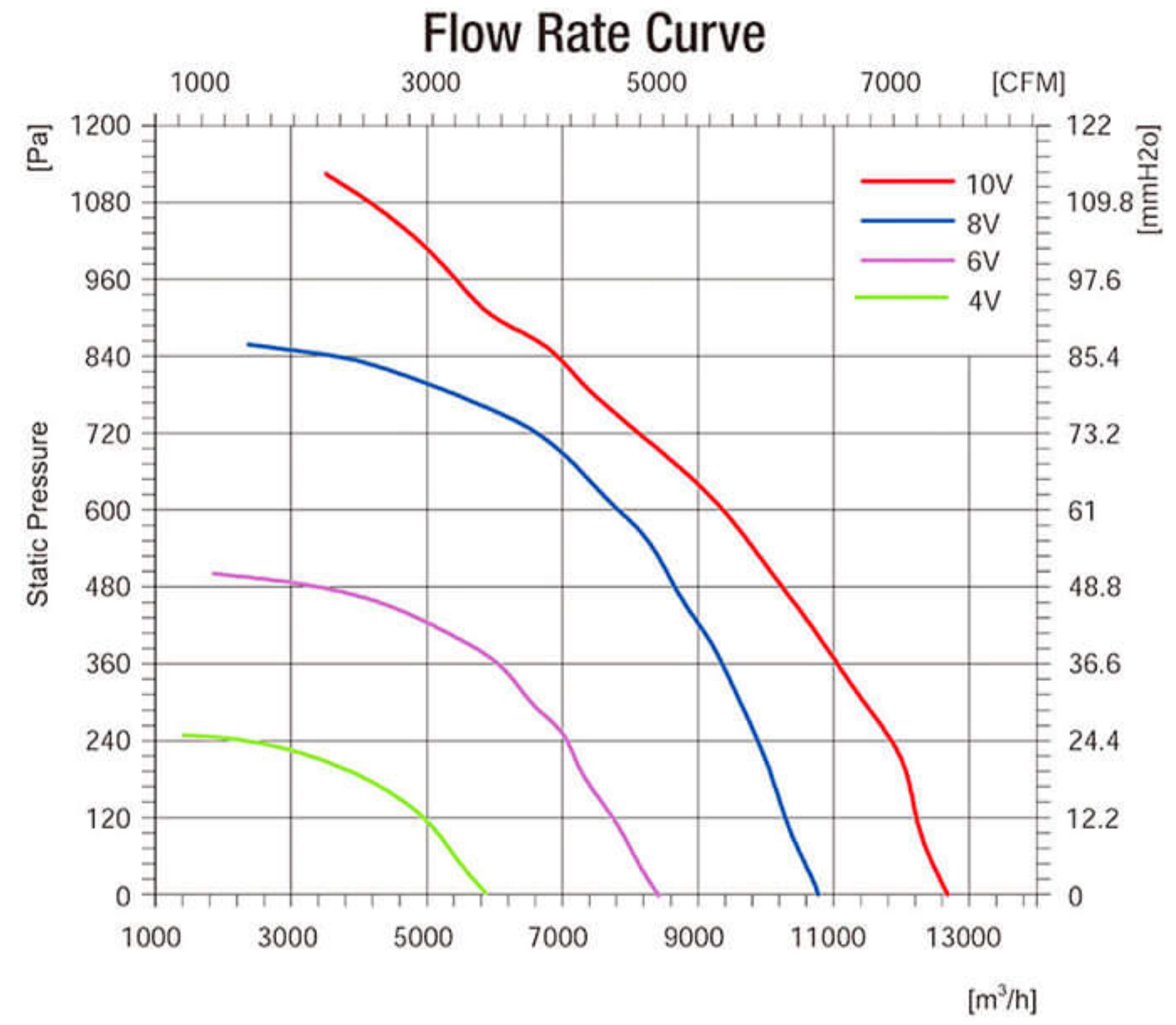
Product Characteristic

- Motor technology: EC Outer rotor
- Supply voltage: 3~, 380-480V, 50/60Hz
- Mode of Operation: S1
- Protection Class: IP54
- Insulation Class: F
- Bearings: Maintenance-free ball bearings
- Impeller Type: Backward curved
- Impeller Material: Sheet aluminium
- Rotation: C.C.W, seen on the leads
- Perm.amb.temp.: -25°C ~ +50°C
- Controller Integrated, 0-10V or PWM Control



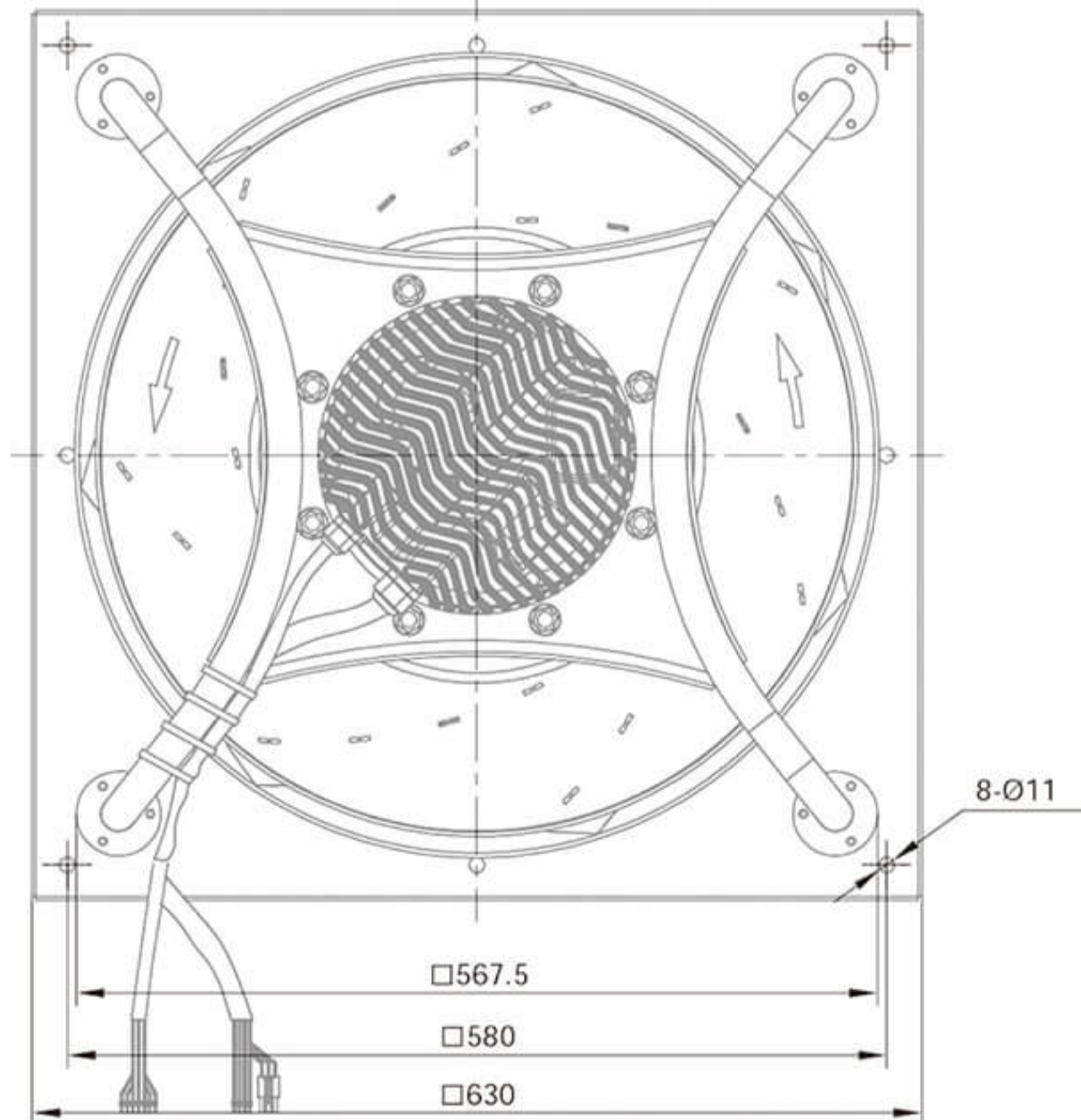
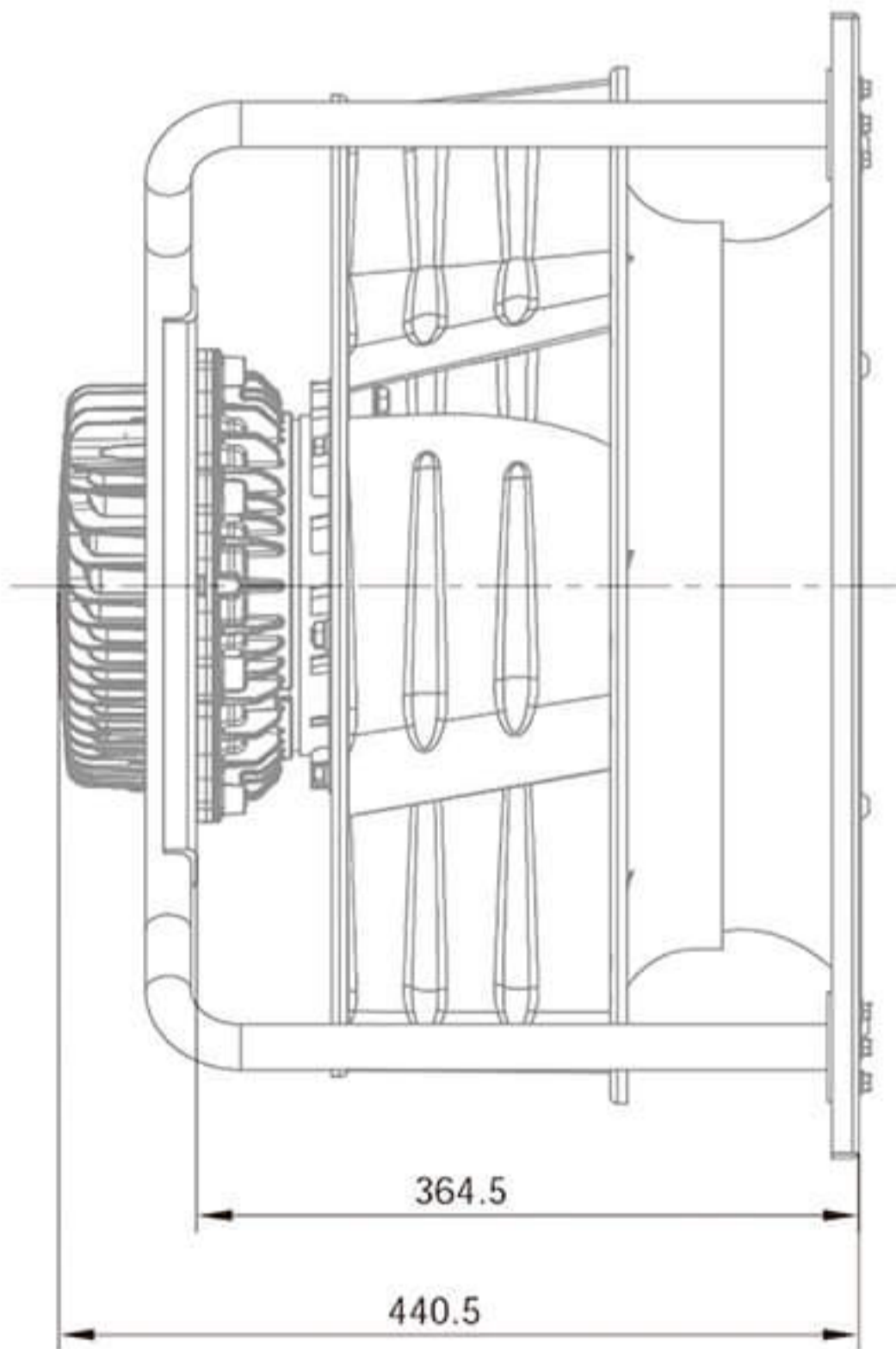
| Model | Voltage (V) | Frequency (Hz) | Input Power (W) | Current (A) | Air Volume (m ³ /h) | Speed (r/min) | Noise [dB(A)] | Max Environmental Temperature(°C) | Weight (Kg) |
|--------------------|-------------|----------------|-----------------|-------------|--------------------------------|---------------|---------------|-----------------------------------|-------------|
| BMF- 8D500-PLHDAL2 | 400 | 50/60 | 3460 | 5.75 | 12660 | 1830 | 86 | 50 | 41.0 |

EC Centrifugal Plug Fans $\Phi 500$



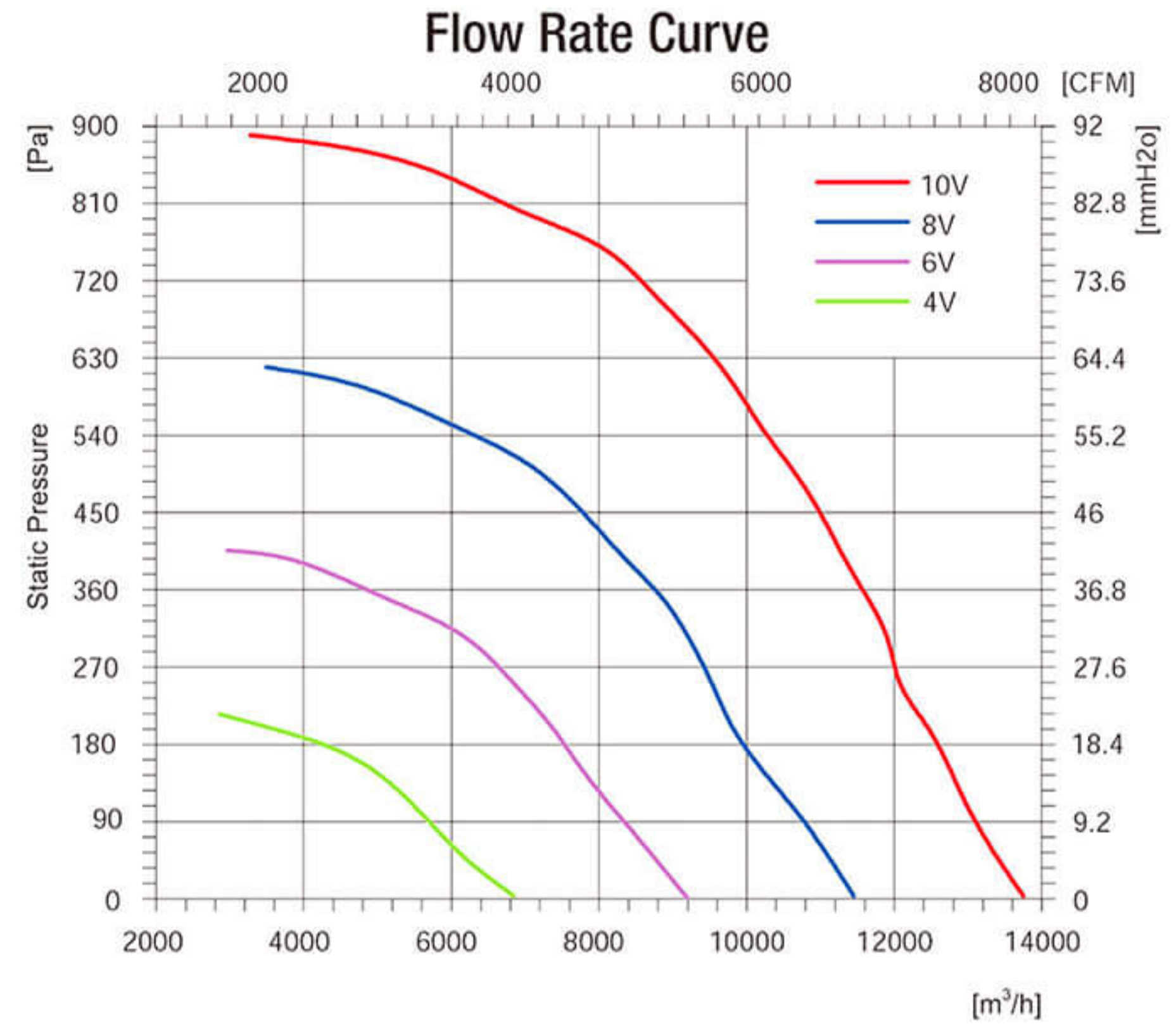
Product Characteristic

- Motor technology: EC Outer rotor
- Supply voltage: 3~, 380-480V, 50/60Hz
- Mode of Operation: S1
- Protection Class: IP54
- Insulation Class: F
- Bearings: Maintenance-free ball bearings
- Impeller Type: Backward curved
- Impeller Material: Sheet aluminium
- Rotation: C.C.W, seen on the leads
- Perm.amb.temp.: -25°C ~ +50°C
- Controller Integrated, 0-10V or PWM Control



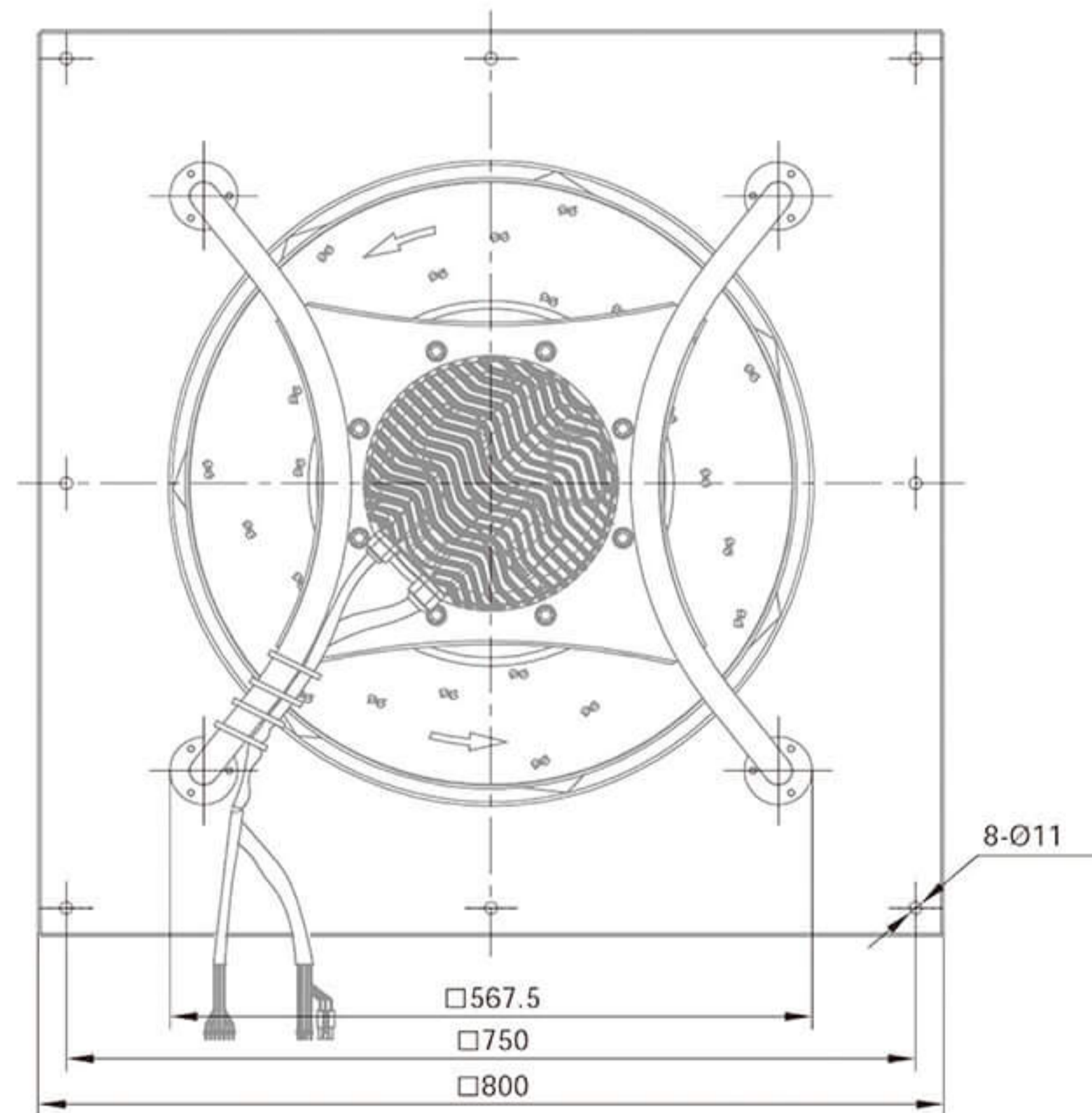
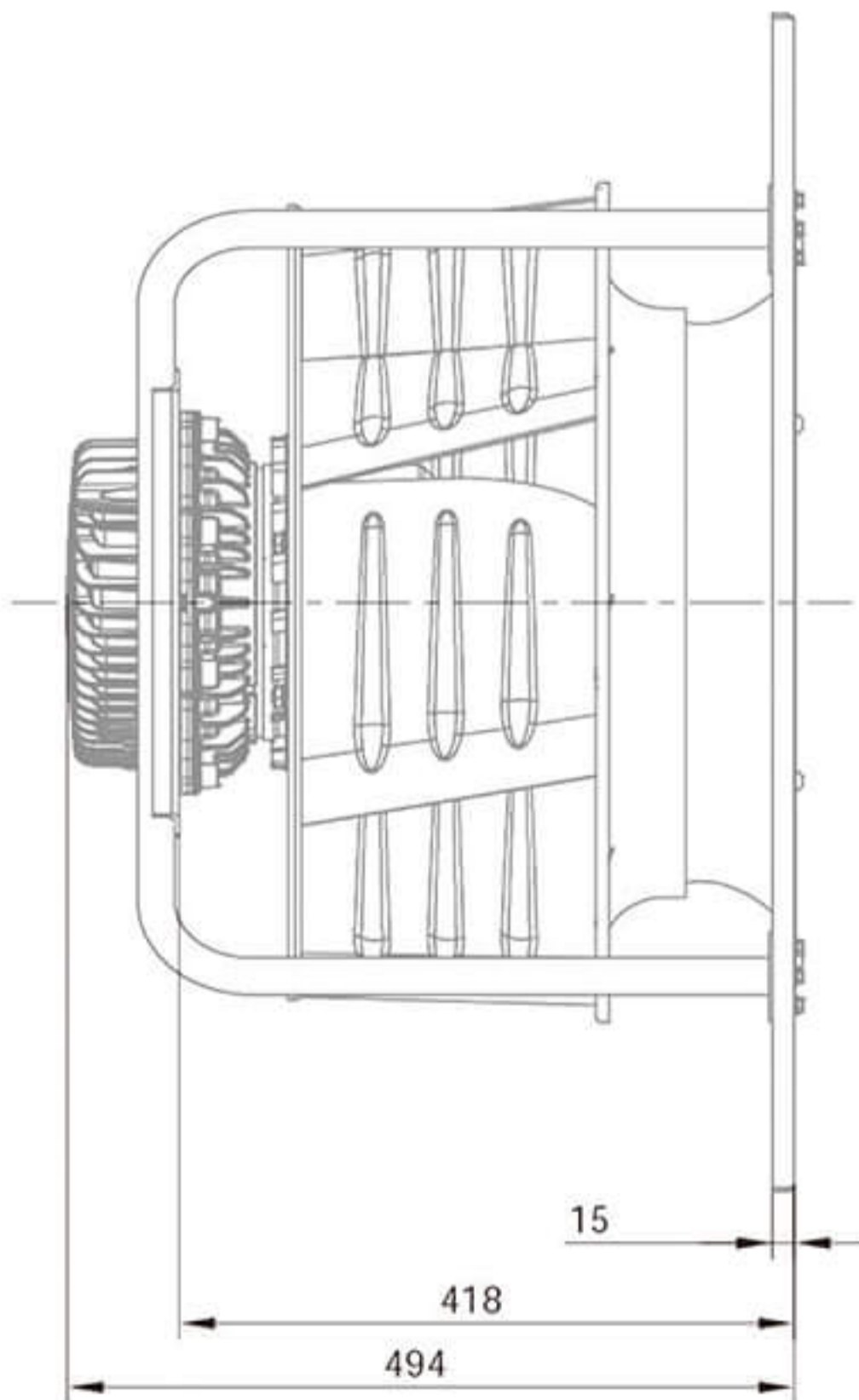
| Model | Voltage (V) | Frequency (Hz) | Input Power (W) | Current (A) | Air Volume (m³/h) | Speed (r/min) | Noise [dB(A)] | Max Environmental Temperature(°C) | Weight (Kg) |
|--------------------|-------------|----------------|-----------------|-------------|-------------------|---------------|---------------|-----------------------------------|-------------|
| BMF- 8D500-PLHDAL4 | 400 | 50/60 | 2800 | 4.4 | 12800 | 1800 | 79 | 50 | 35.0 |

EC Centrifugal Plug Fans $\Phi 560$



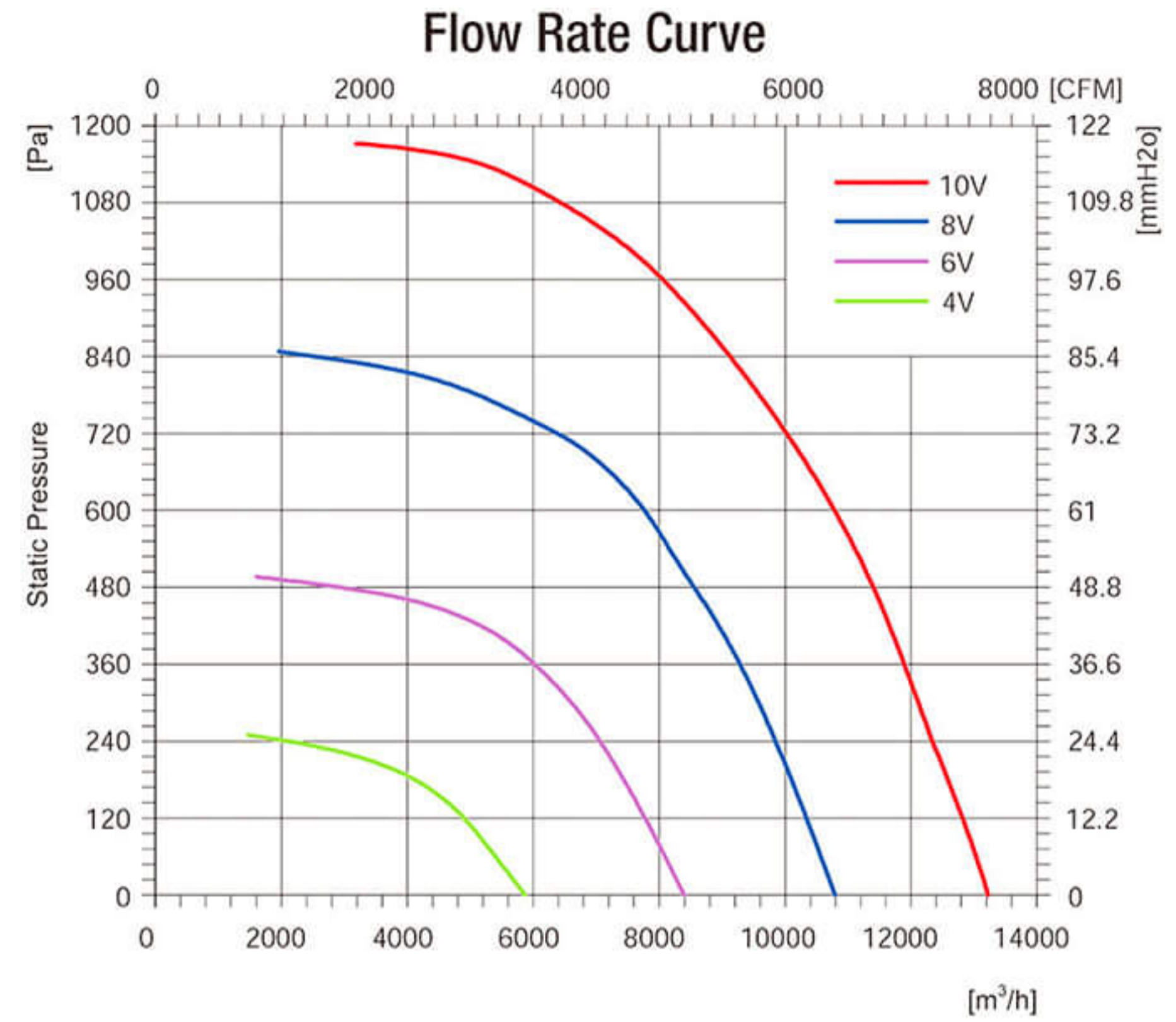
Product Characteristic

- Motor technology: EC Outer rotor
- Supply voltage: 3~, 380-480V, 50/60Hz
- Mode of Operation: S1
- Protection Class: IP54
- Insulation Class: F
- Bearings: Maintenance-free ball bearings
- Impeller Type: Backward curved
- Impeller Material: Sheet aluminium
- Rotation: C.C.W, seen on the leads
- Perm.amb.temp.: -25°C ~ +50°C
- Controller Integrated, 0-10V or PWM Control



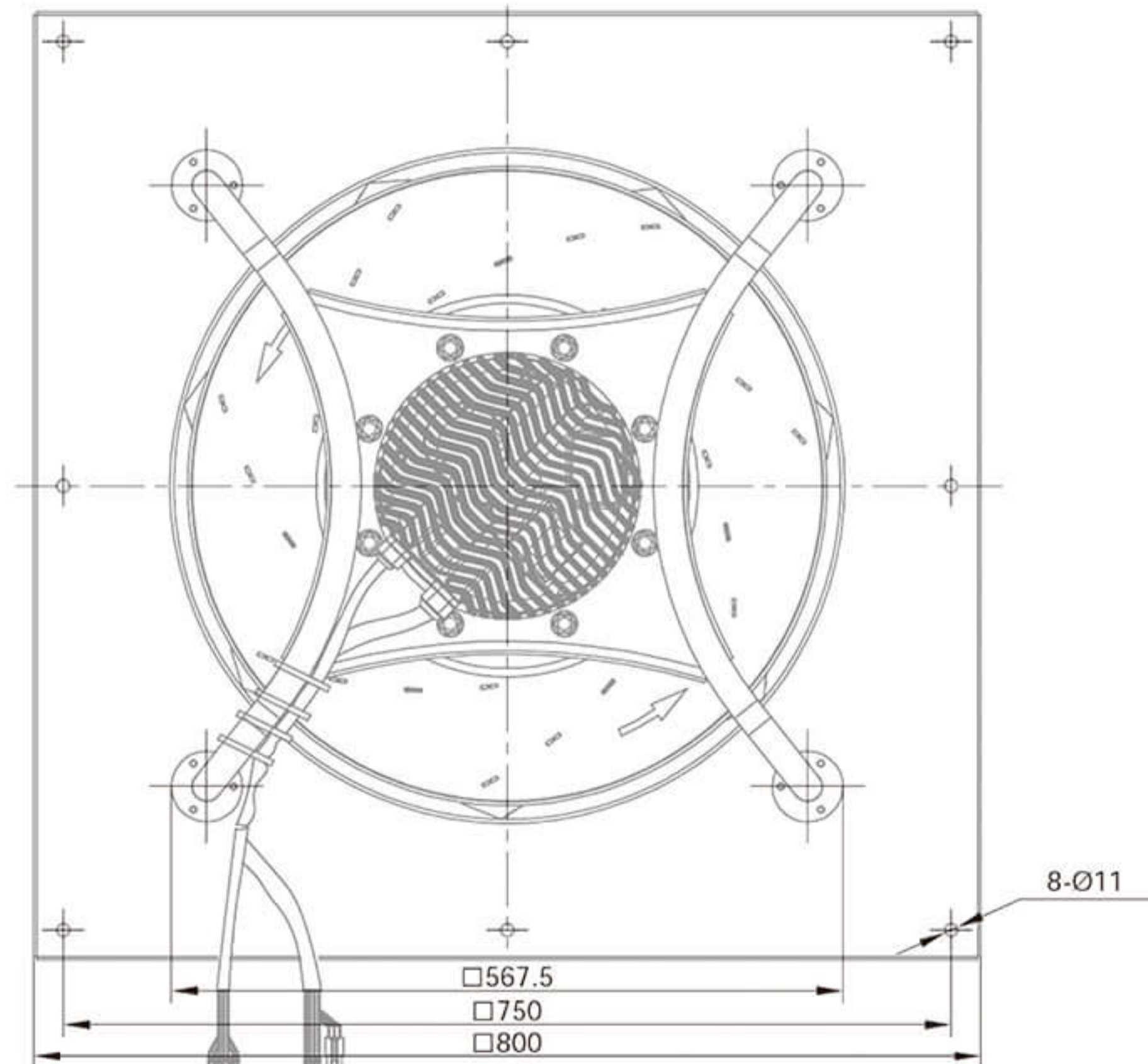
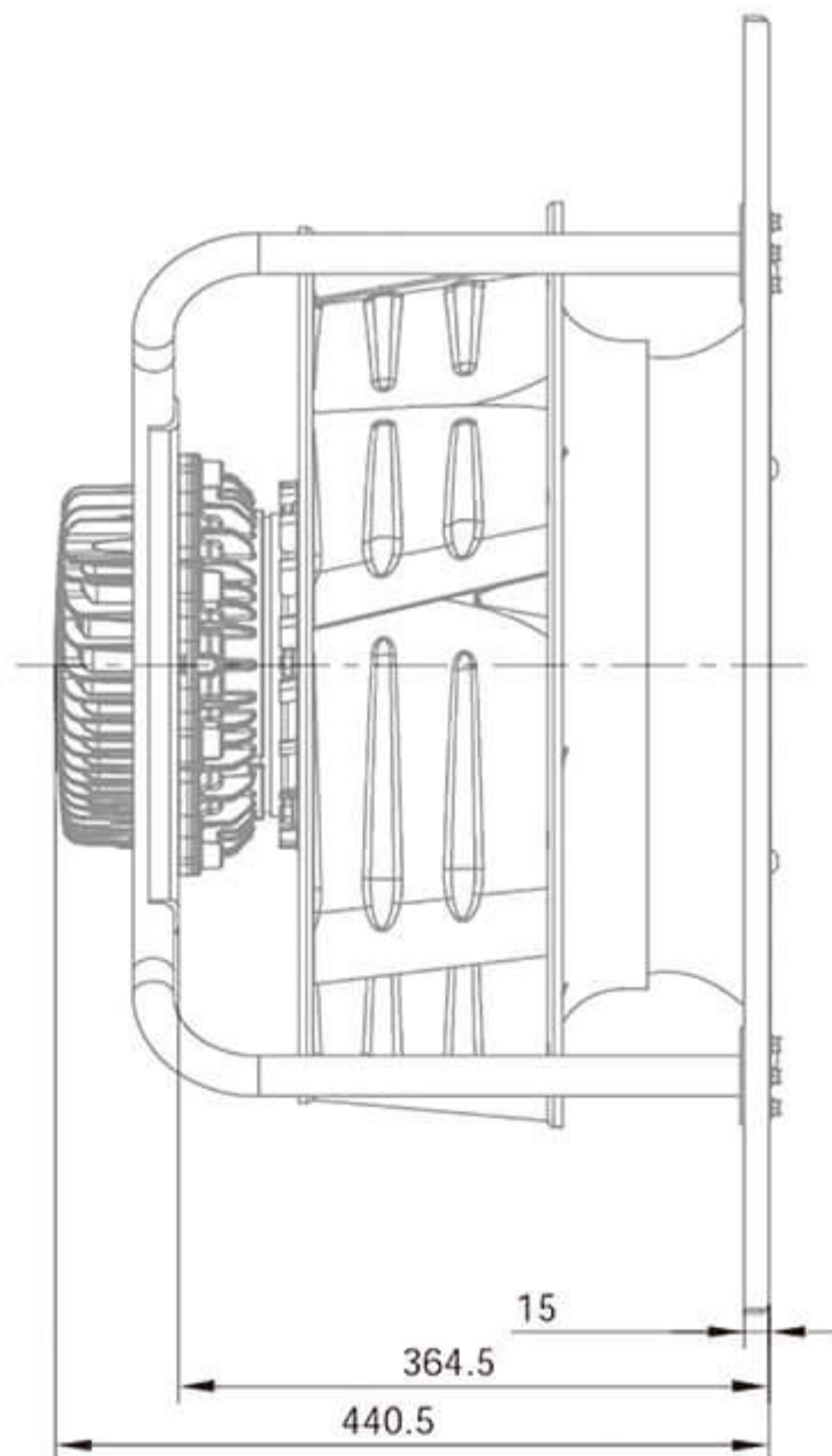
| Model | Voltage (V) | Frequency (Hz) | Input Power (W) | Current (A) | Air Volume (m³/h) | Speed (r/min) | Noise [dB(A)] | Max Environmental Temperature(°C) | Weight (Kg) |
|--------------------|-------------|----------------|-----------------|-------------|-------------------|---------------|---------------|-----------------------------------|-------------|
| BMF- 8D560-PLHDAL1 | 400 | 50/60 | 3100 | 4.9 | 13500 | 1470 | 81 | 50 | 44.0 |

EC Centrifugal Plug Fans $\Phi 560$



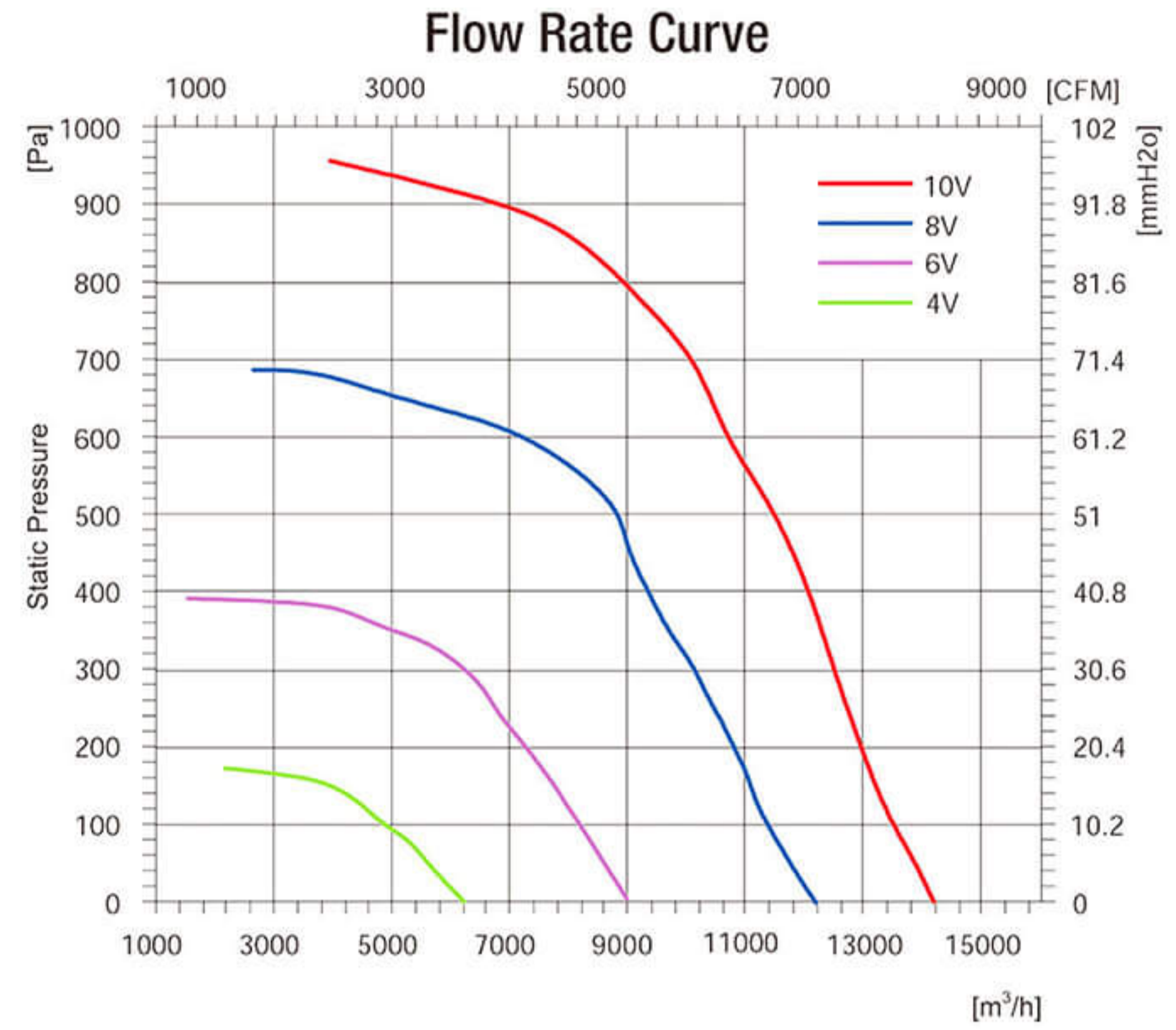
Product Characteristic

- Motor technology: EC Outer rotor
- Supply voltage: 3~, 380-480V, 50/60Hz
- Mode of Operation: S1
- Protection Class: IP54
- Insulation Class: F
- Bearings: Maintenance-free ball bearings
- Impeller Type: Backward curved
- Impeller Material: Sheet aluminium
- Rotation: C.C.W, seen on the leads
- Perm.amb.temp.: -25°C ~ +50°C
- Controller Integrated, 0-10V or PWM Control



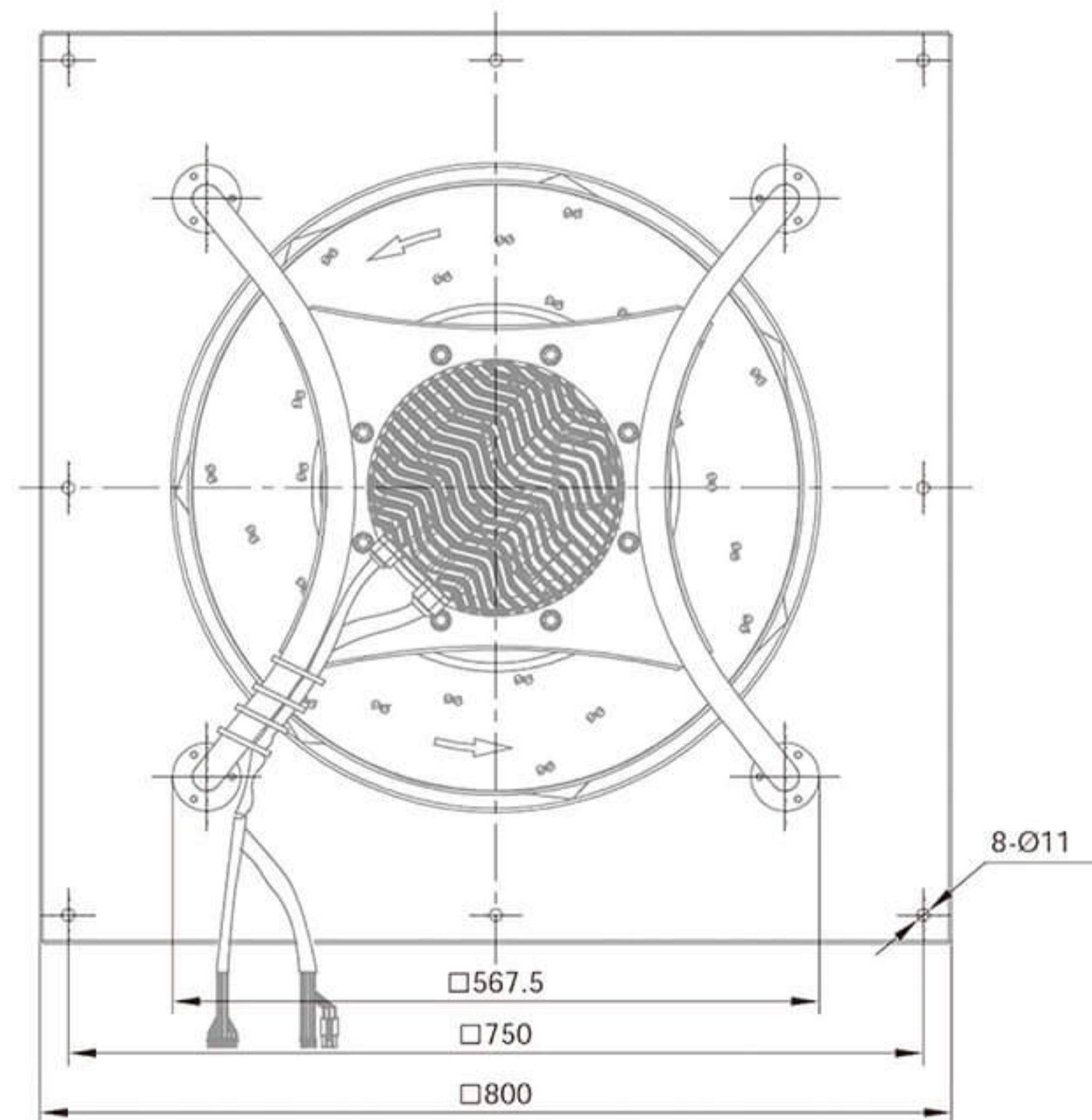
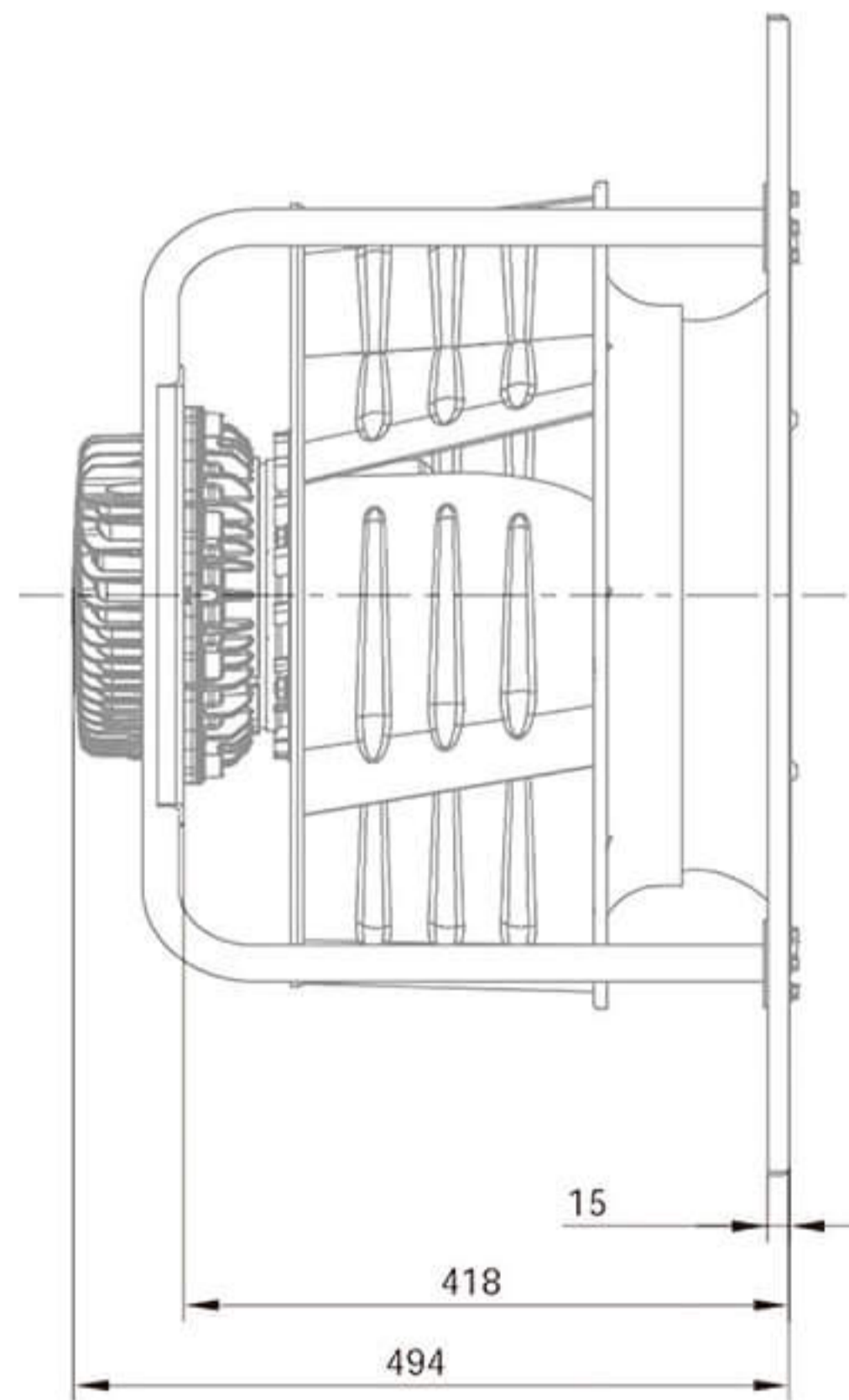
| Model | Voltage (V) | Frequency (Hz) | Input Power (W) | Current (A) | Air Volume (m³/h) | Speed (r/min) | Noise [dB(A)] | Max Environmental Temperature(°C) | Weight (Kg) |
|--------------------|-------------|----------------|-----------------|-------------|-------------------|---------------|---------------|-----------------------------------|-------------|
| BMF- 8D560-PLHDAL5 | 400 | 50/60 | 3530 | 5.5 | 13500 | 1830 | 85 | 50 | 41.0 |

EC Centrifugal Plug Fans $\Phi 560$



Product Characteristic

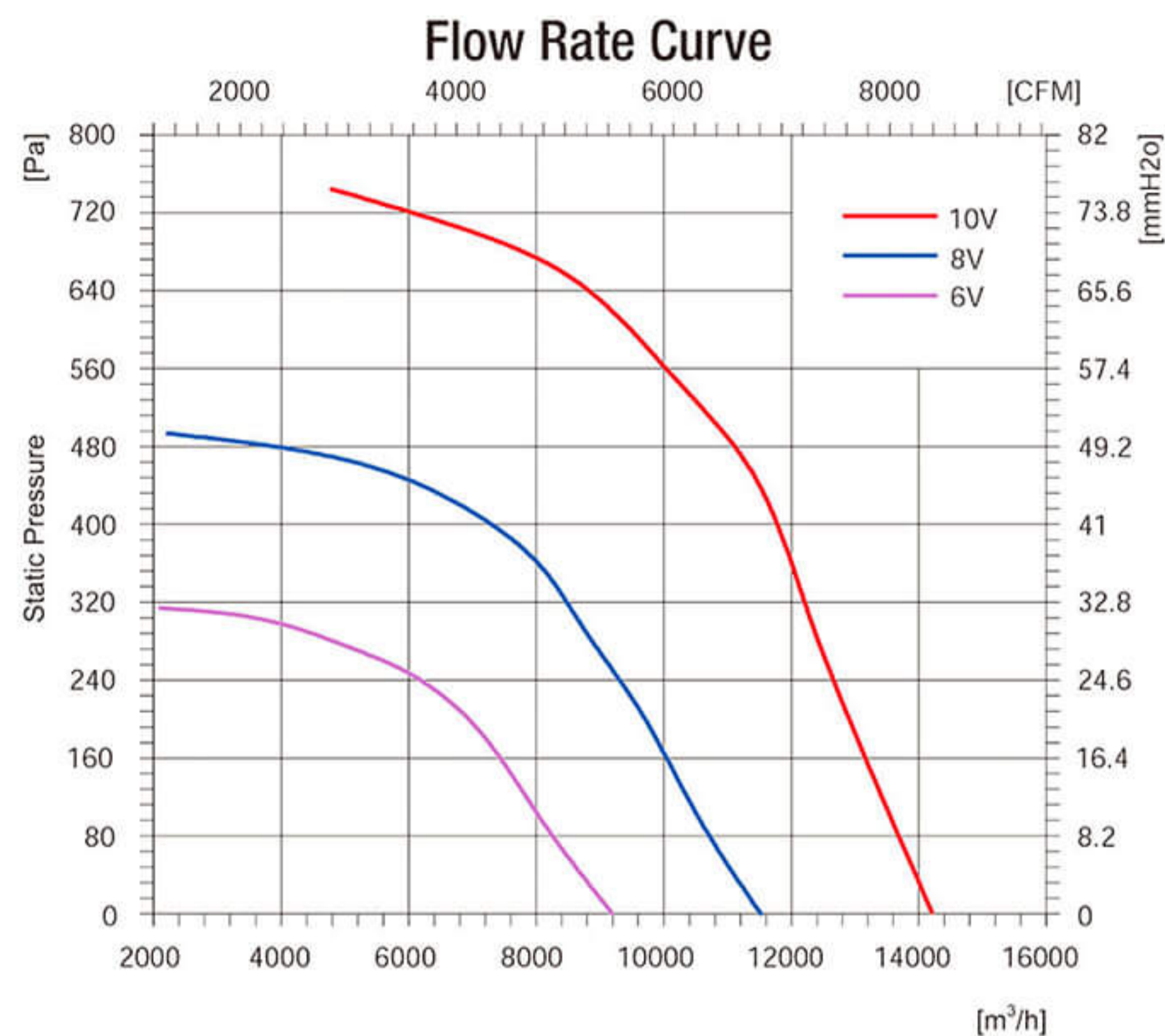
- Motor technology: EC Outer rotor
- Supply voltage: 3~, 380-480V, 50/60Hz
- Mode of Operation: S1
- Protection Class: IP54
- Insulation Class: F
- Bearings: Maintenance-free ball bearings
- Impeller Type: Backward curved
- Impeller Material: Sheet aluminium
- Rotation: C.C.W, seen on the leads
- Perm.amb.temp.: -25°C ~ +50°C
- Controller Integrated, 0-10V or PWM Control



| Model | Voltage (V) | Frequency (Hz) | Input Power (W) | Current (A) | Air Volume (m³/h) | Speed (r/min) | Noise [dB(A)] | Max Environmental Temperature(°C) | Weight (Kg) |
|--------------------|-------------|----------------|-----------------|-------------|-------------------|---------------|---------------|-----------------------------------|-------------|
| BMF- 8D560-PLHDAL6 | 400 | 50/60 | 3200 | 4.9 | 15100 | 1610 | 81 | 50 | 44.0 |

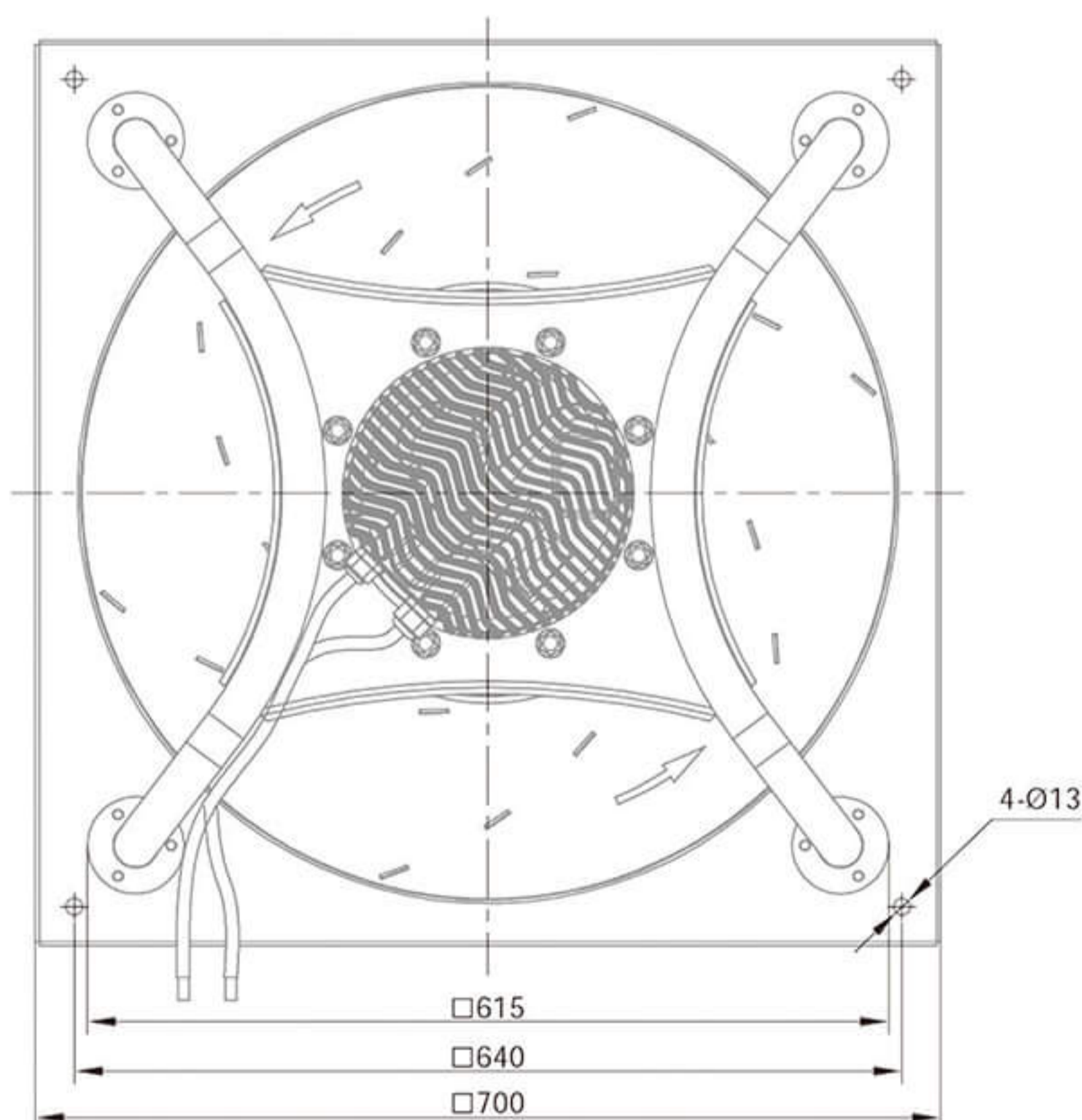
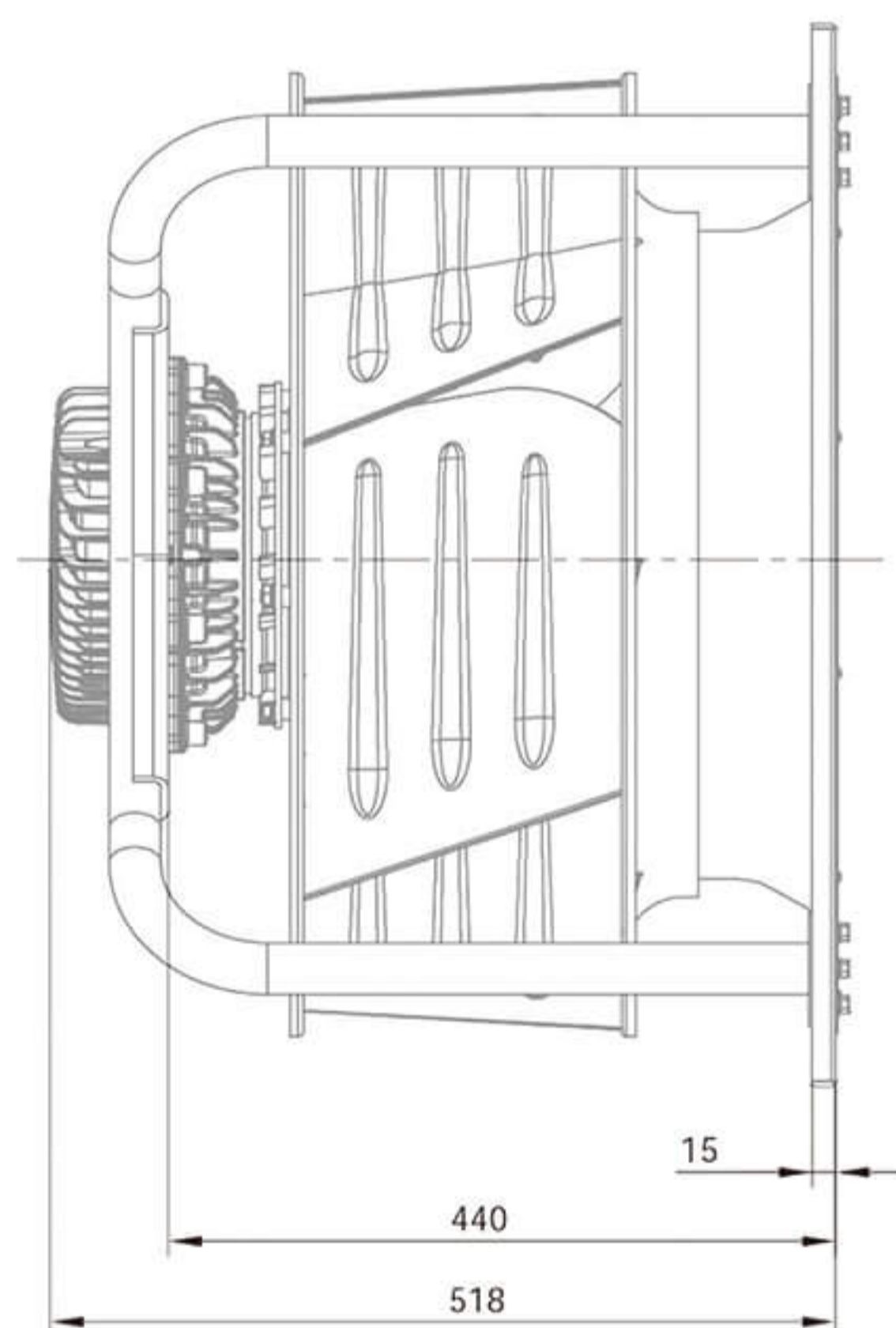
EC Centrifugal Plug Fans $\Phi 630$

ErP
2020



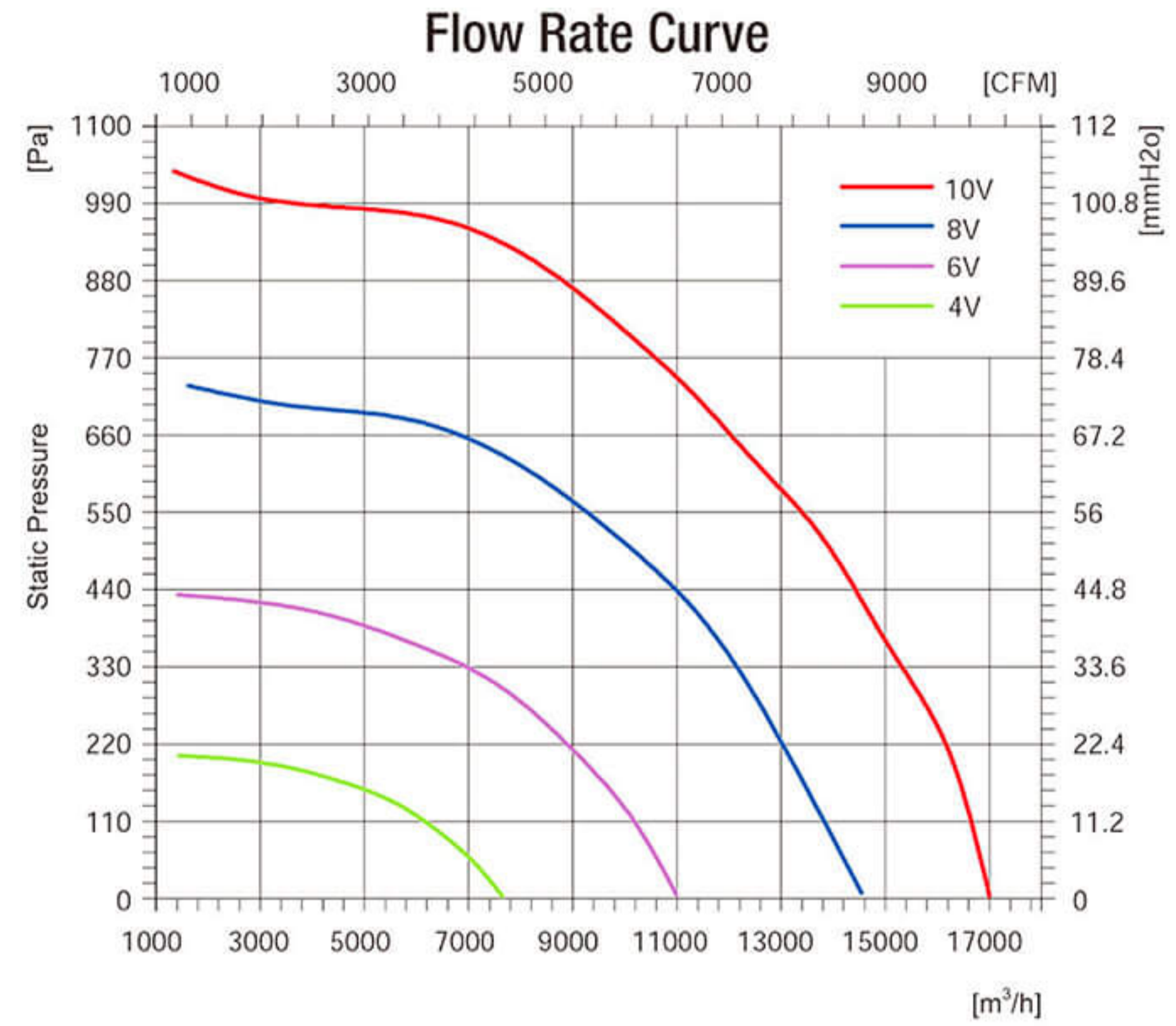
Product Characteristic

Motor technology: EC Outer rotor
 Supply voltage: 3~, 380-480V, 50/60Hz
 Mode of Operation: S1
 Protection Class: IP54
 Insulation Class: F
 Bearings: Maintenance-free ball bearings
 Impeller Type: Backward curved
 Impeller Material: Sheet aluminium
 Rotation: C.C.W, seen on the leads
 Perm.amb.temp.: -25°C ~ +50°C
 Controller Integrated, 0-10V or PWM Control



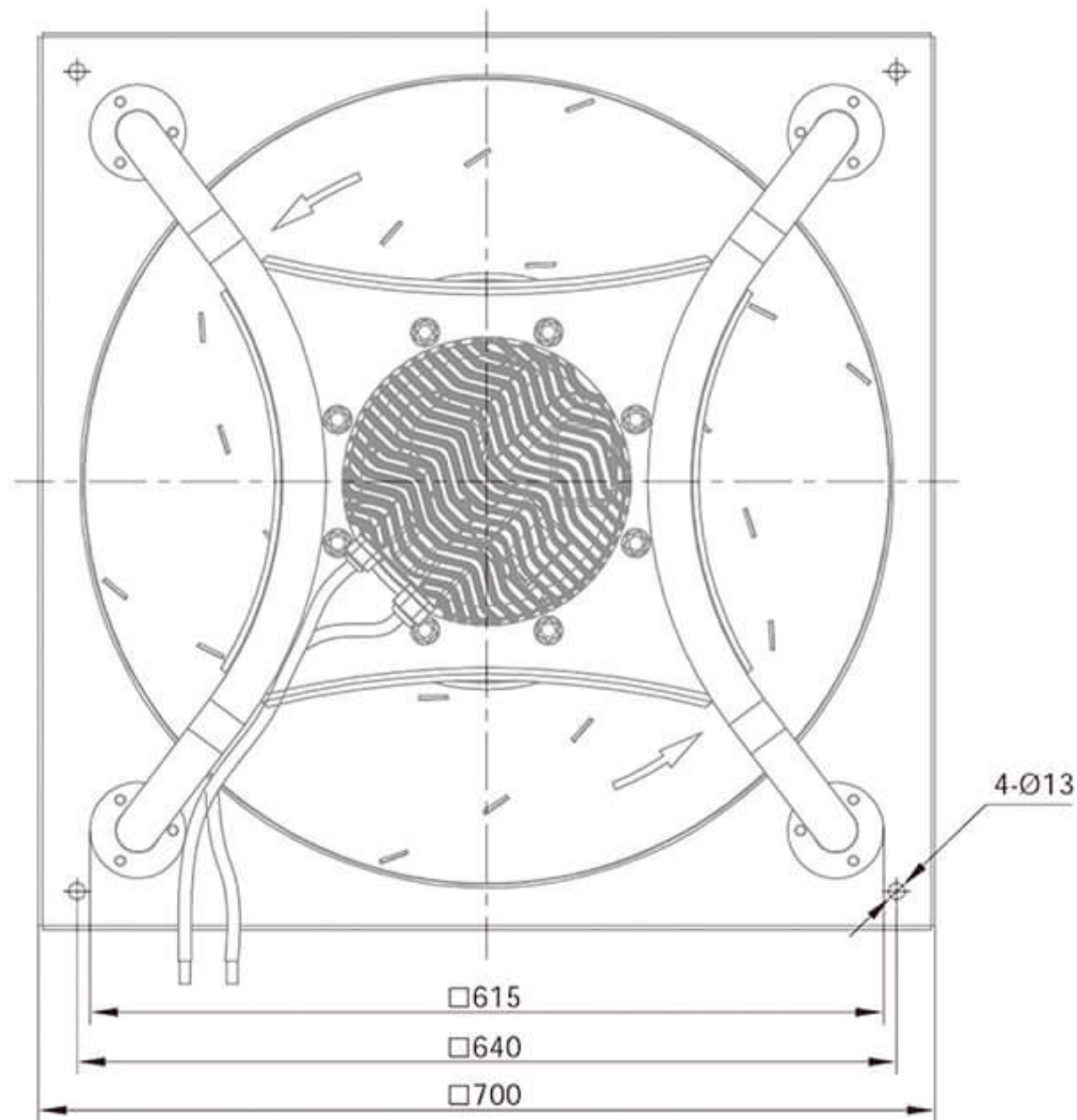
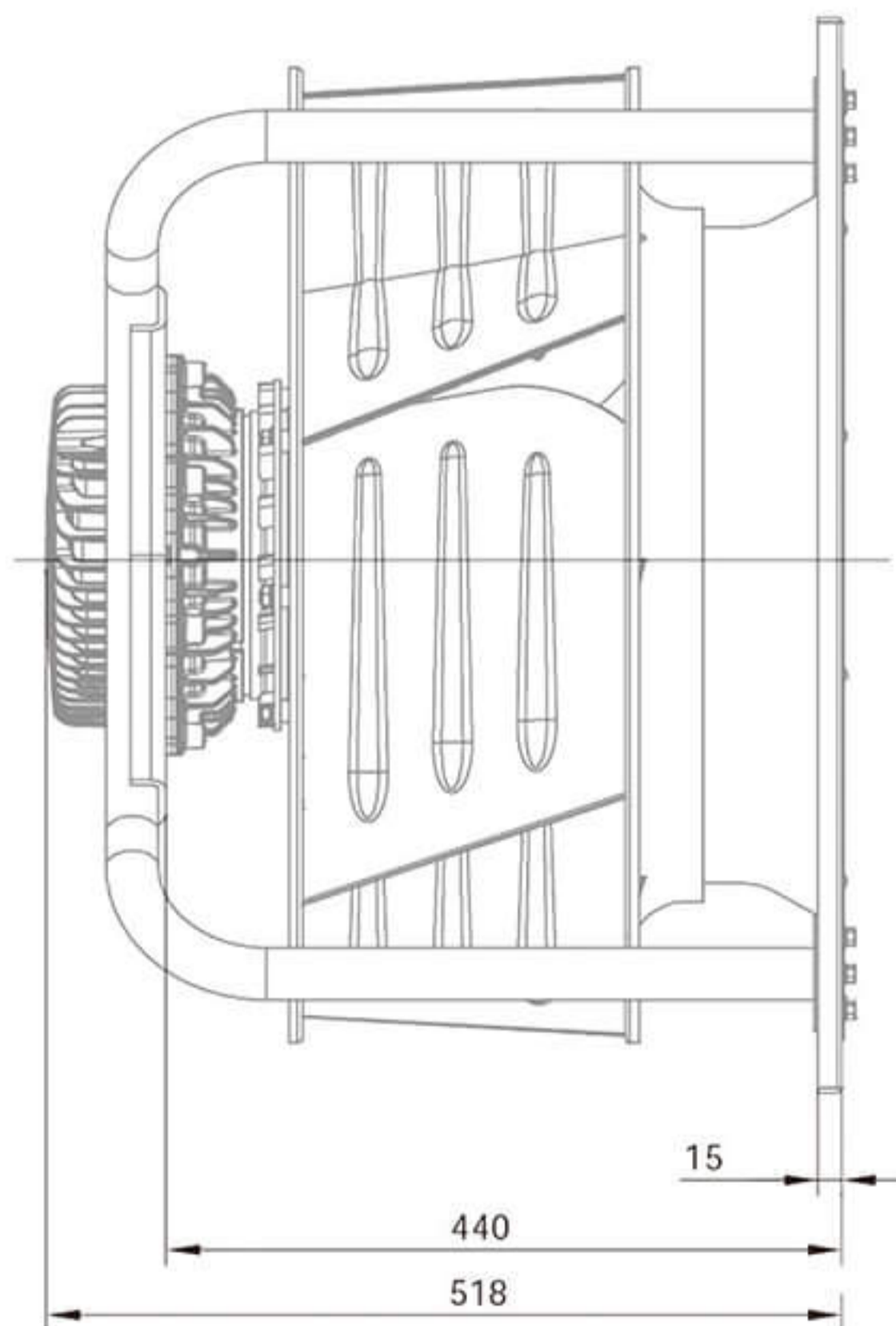
| Model | Voltage (V) | Frequency (Hz) | Input Power (W) | Current (A) | Air Volume (m³/h) | Speed (r/min) | Noise [dB(A)] | Max Environmental Temperature(°C) | Weight (Kg) |
|--------------------|-------------|----------------|-----------------|-------------|-------------------|---------------|---------------|-----------------------------------|-------------|
| BMF- 8D630-PLHDAL1 | 400 | 50/60 | 2580 | 4.0 | 14200 | 1250 | 80 | 50 | 64.0 |

EC Centrifugal Plug Fans $\Phi 630$



Product Characteristic

- Motor technology: EC Outer rotor
- Supply voltage: 3~, 380-480V, 50/60Hz
- Mode of Operation: S1
- Protection Class: IP54
- Insulation Class: F
- Bearings: Maintenance-free ball bearings
- Impeller Type: Backward curved
- Impeller Material: Sheet aluminium
- Rotation: C.C.W, seen on the leads
- Perm.amb.temp.: -25°C ~ +50°C
- Controller Integrated, 0-10V or PWM Control



| Model | Voltage (V) | Frequency (Hz) | Input Power (W) | Current (A) | Air Volume (m³/h) | Speed (r/min) | Noise [dB(A)] | Max Environmental Temperature(°C) | Weight (Kg) |
|--------------------|-------------|----------------|-----------------|-------------|-------------------|---------------|---------------|-----------------------------------|-------------|
| BMF- 8D630-PLHDAL4 | 400 | 50/60 | 3760 | 5.7 | 17000 | 1400 | 79 | 50 | 64.0 |