

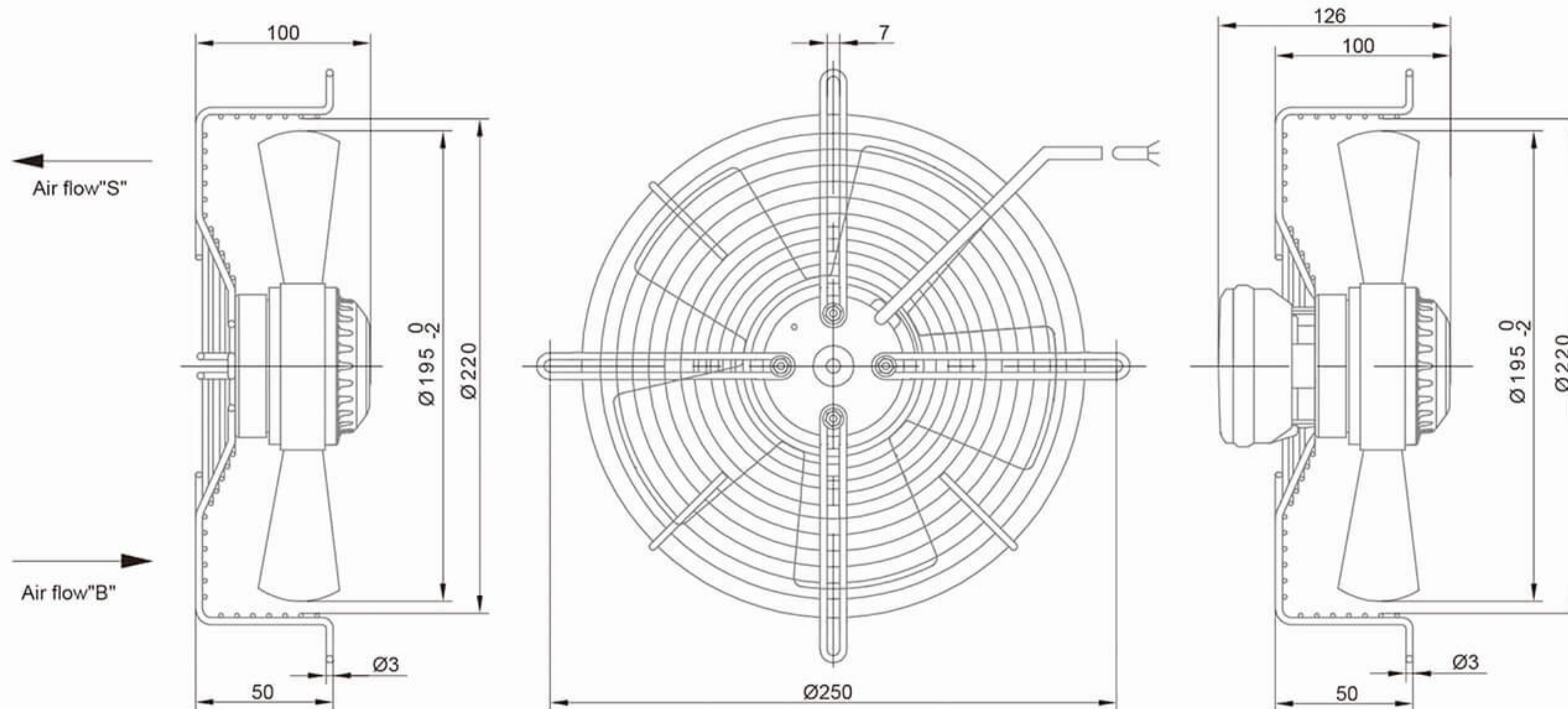
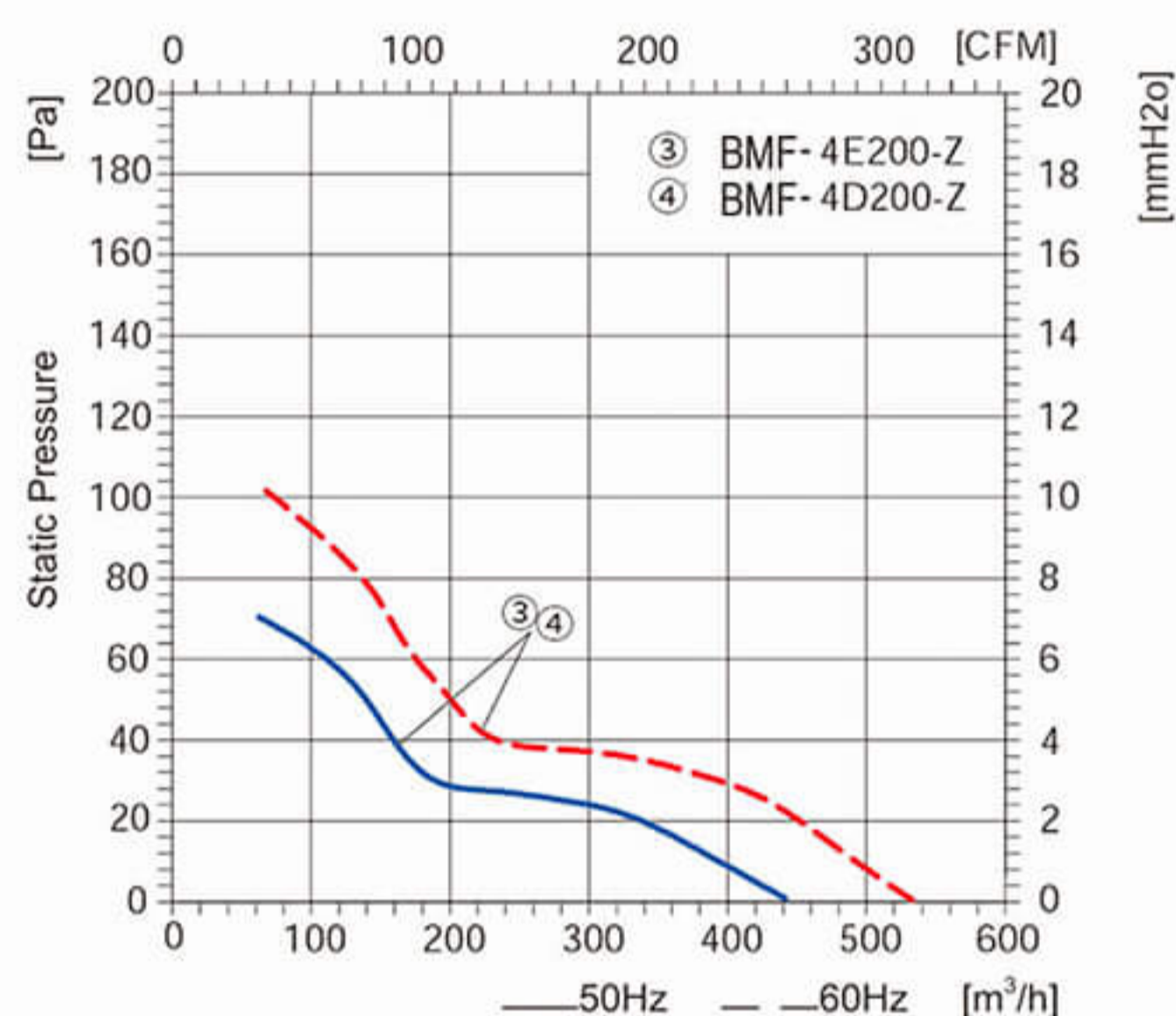
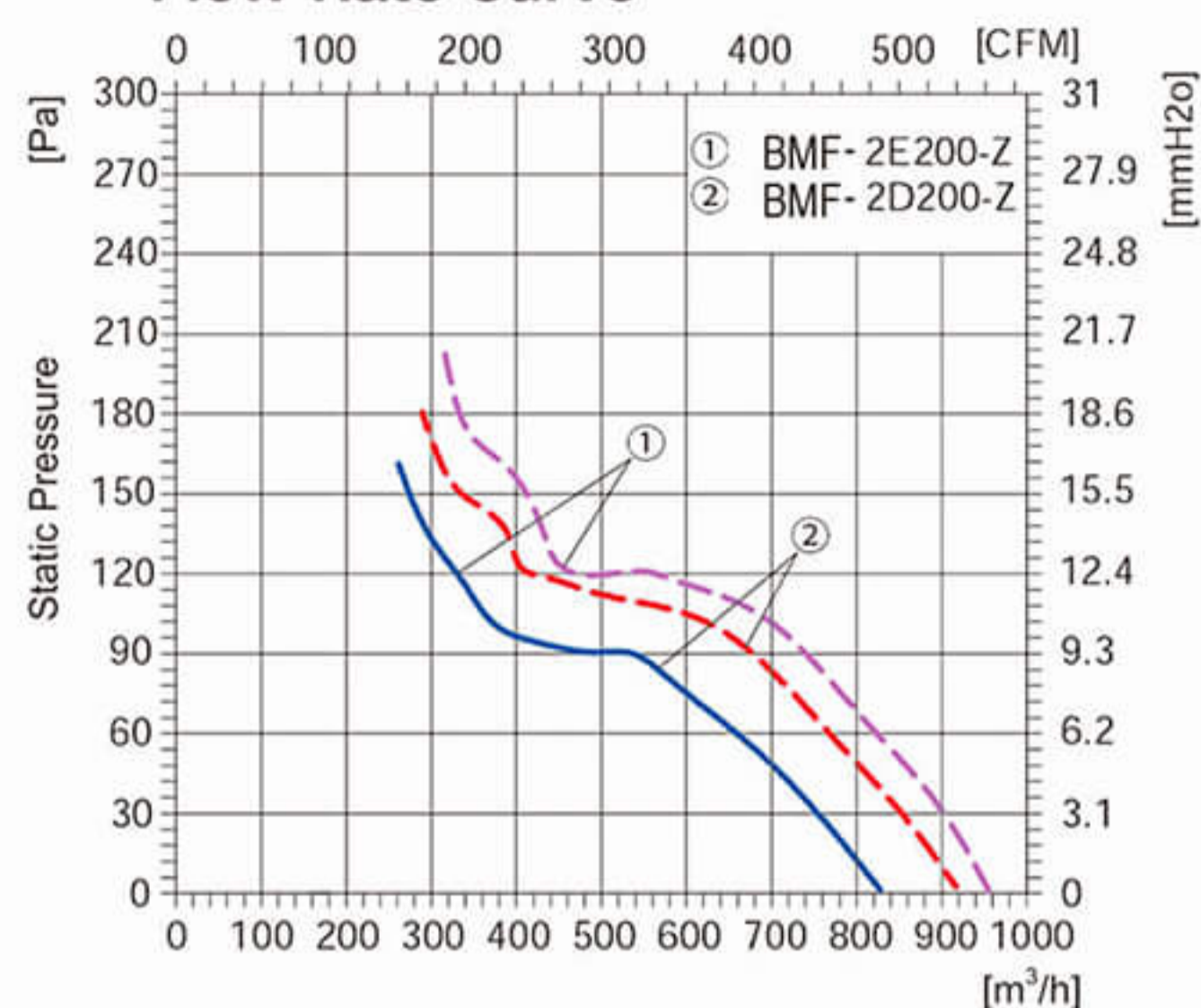
AC Axial Fans $\Phi 200$



Product Characteristic

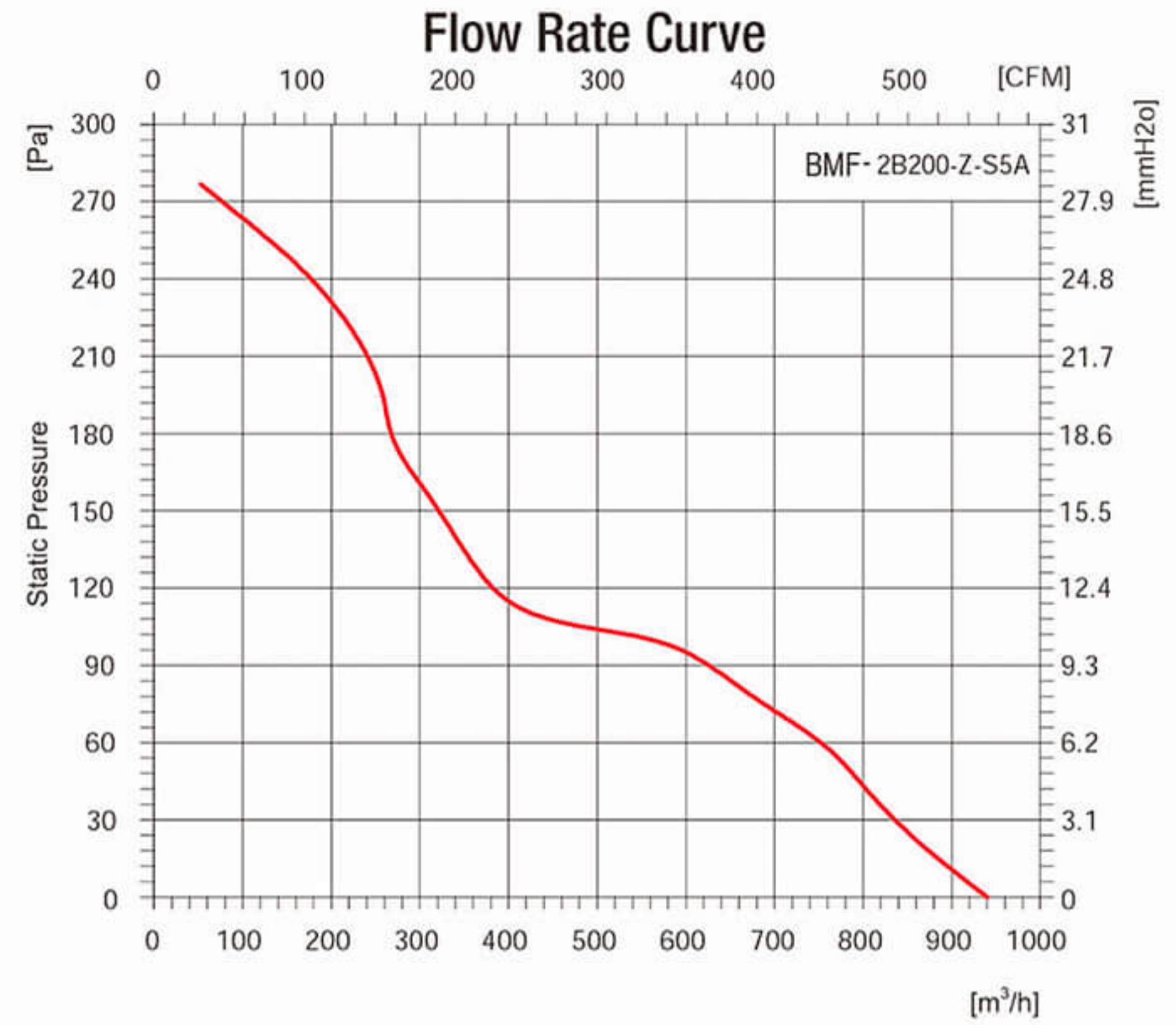
Motor technology: AC Outer rotor
 Mode of Operation: S1
 Protection Class: IP54
 Insulation Class: B/F
 Bearings: Maintenance-free ball bearings
 Blades Material: Cold rolled sheet steel
 Blades count: 5
 Air direction: seen on the leads

Flow Rate Curve



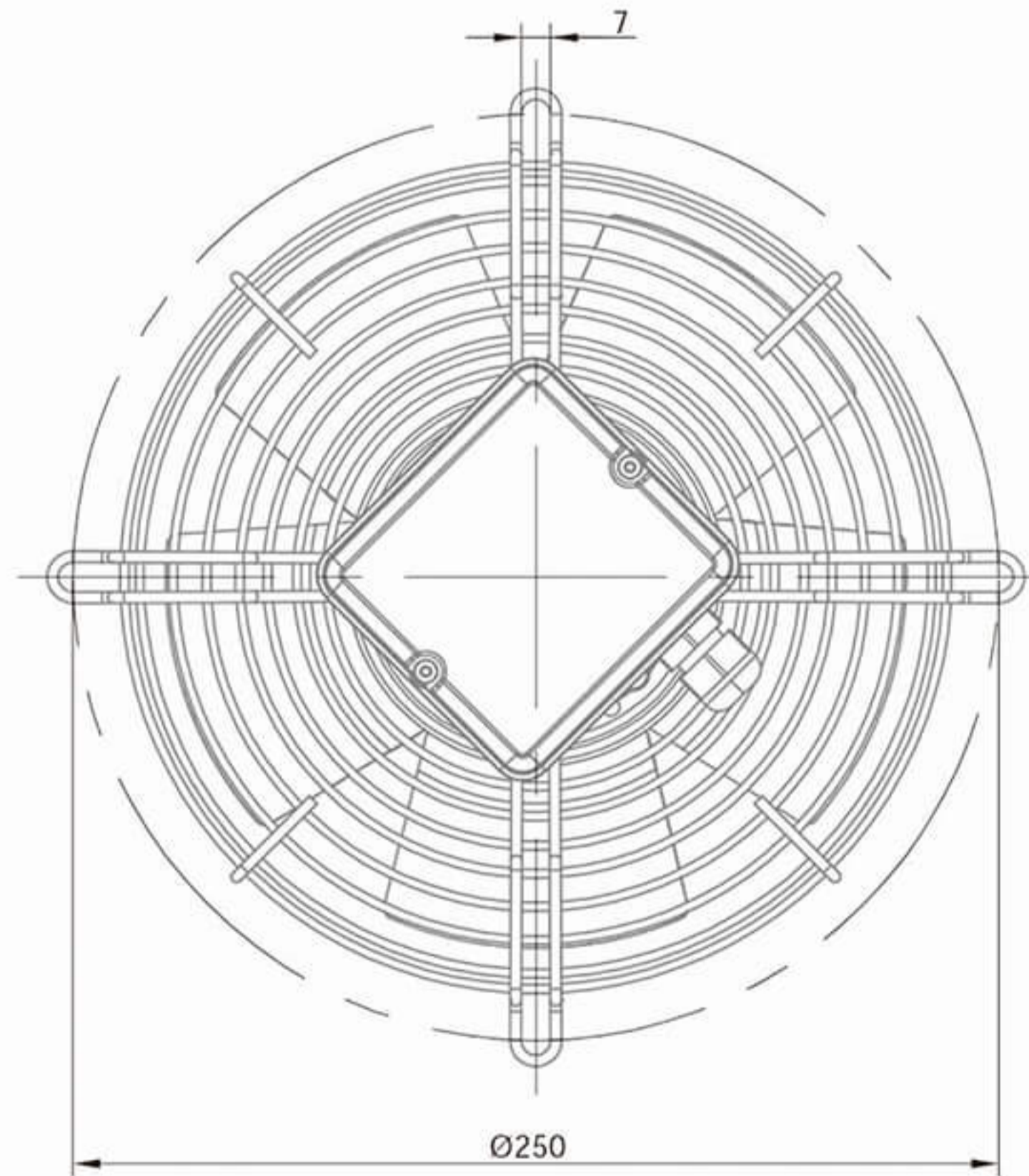
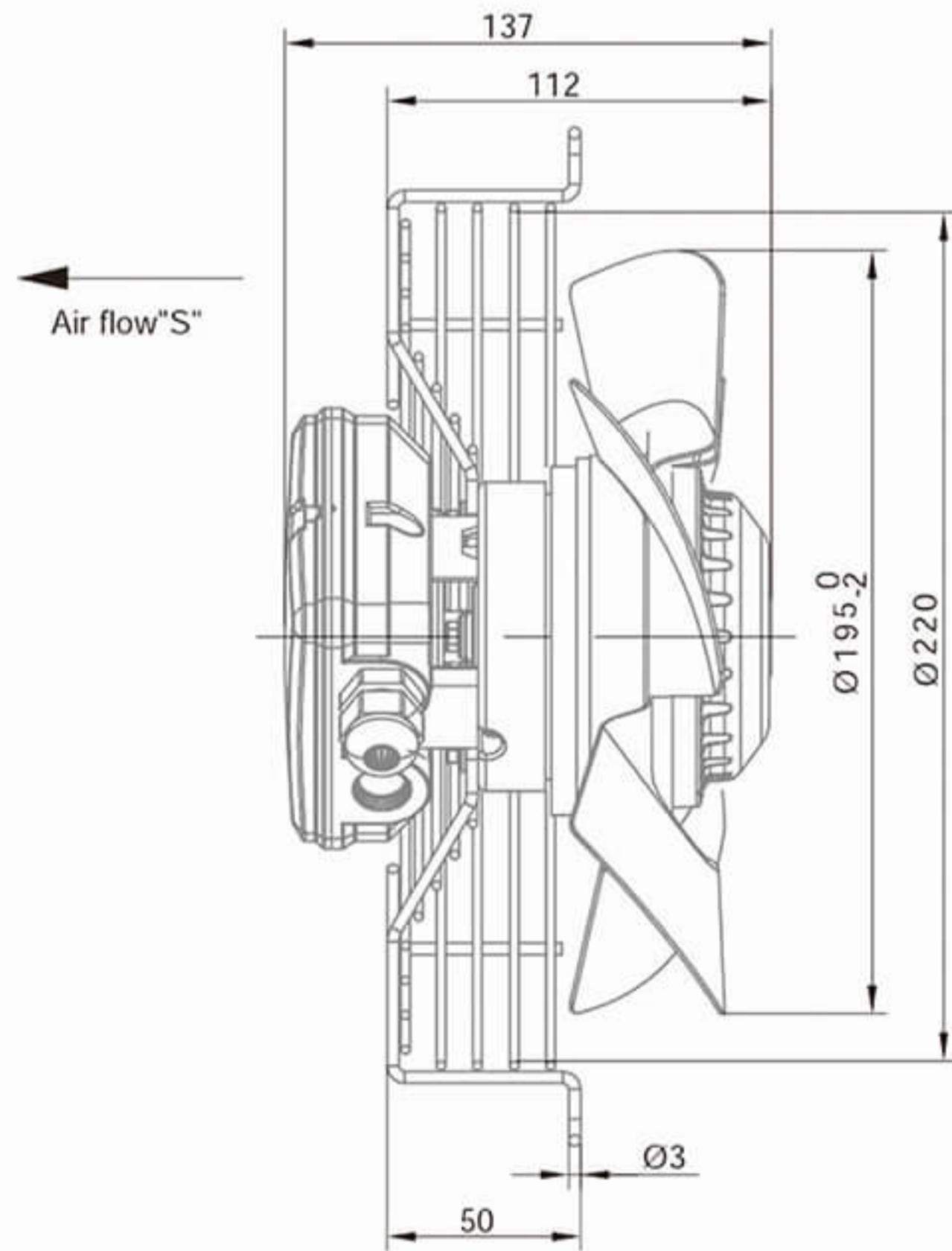
Model	Voltage (V)	Frequency (Hz)	Input Power (W)	Current (A)	Air Volume (m³/h)	Speed (r/min)	Capacitor (µF)	Noise [dB(A)]	Max Environmental Temperature(°C)	Weight (Kg)
BMF-2E200-Z	230	50/60	80/95	0.35/0.42	870/1000	2700/3200	2	60/65	65	1.9
BMF-2D200-Z	380	50/60	70/90	0.16	870/1000	2650/3000	-	60/64	75	1.9
BMF-4E200-Z	230	50/60	29/38	0.12/0.17	450/560	1460/1750	1	48/51	75	1.9
BMF-4D200-Z	380	50/60	50/44	0.12	450/530	1450/1750	-	48/53	60	1.9

AC Axial Fans $\Phi 200$



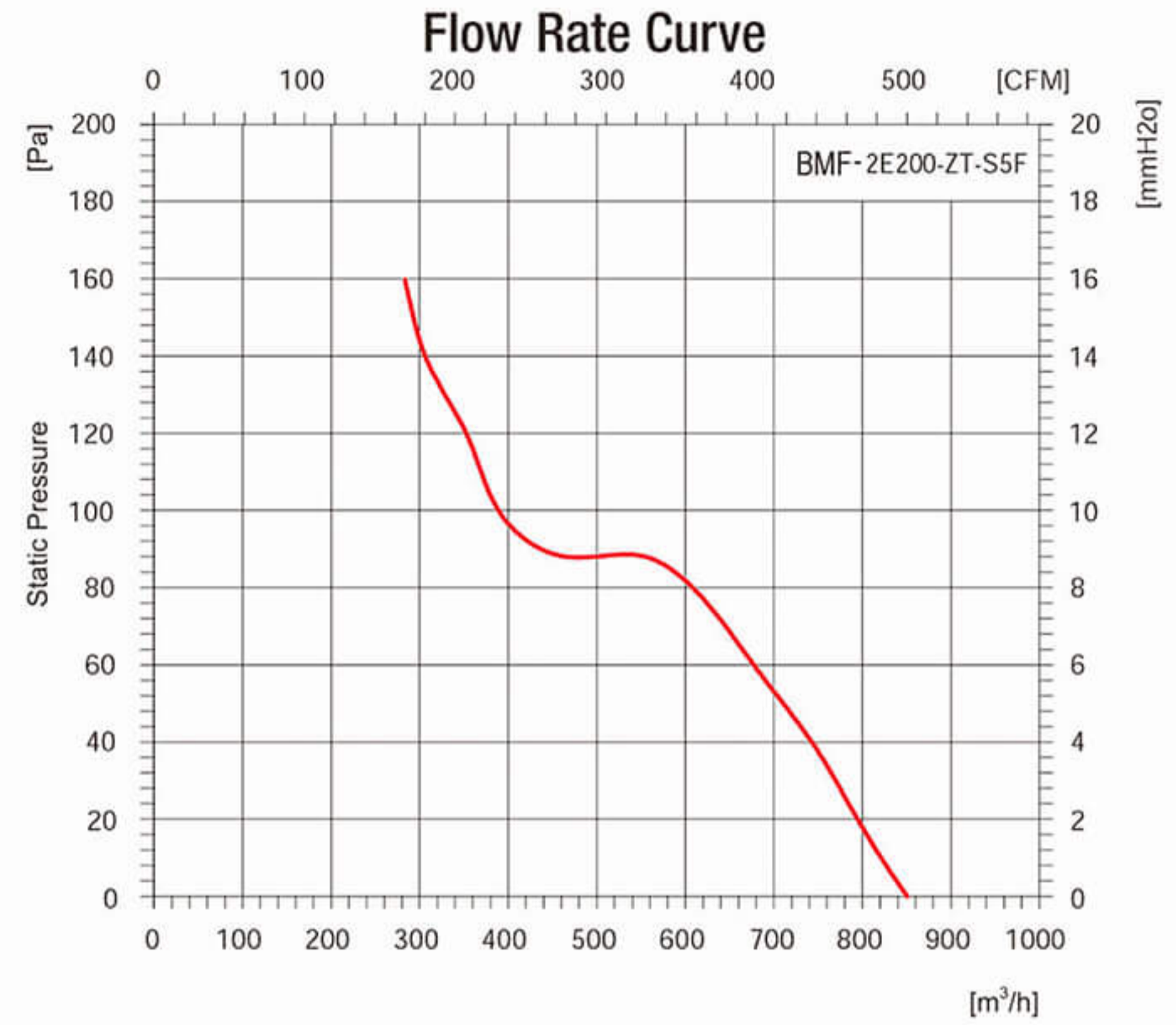
Product Characteristic

Motor technology:	AC Outer rotor
Mode of Operation:	S1
Protection Class:	IP54
Insulation Class:	B/F
Bearings:	Maintenance-free ball bearings
Blades Material:	Cold rolled sheet steel
Blades count:	5
Air direction:	Suction, seen on the leads



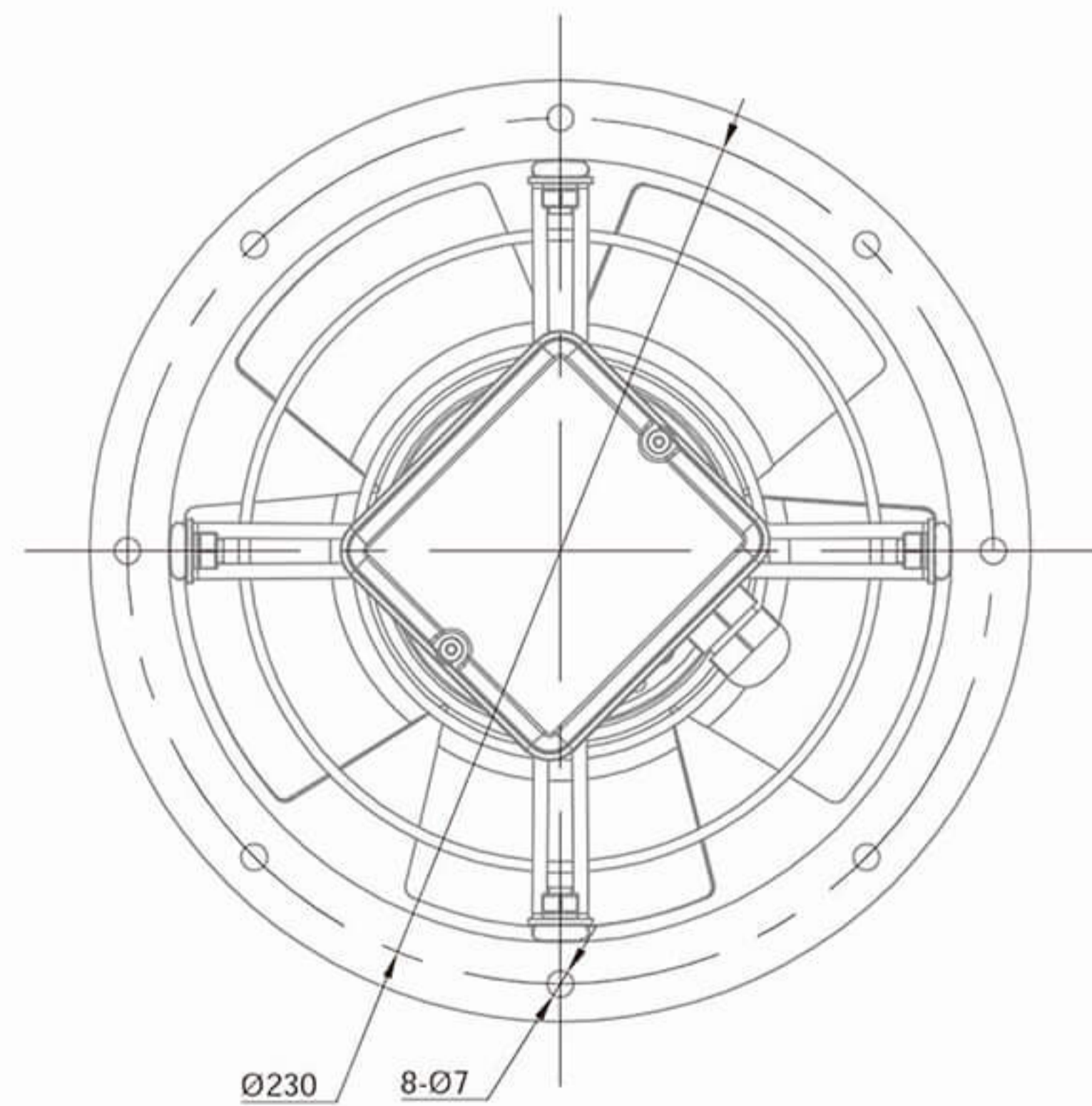
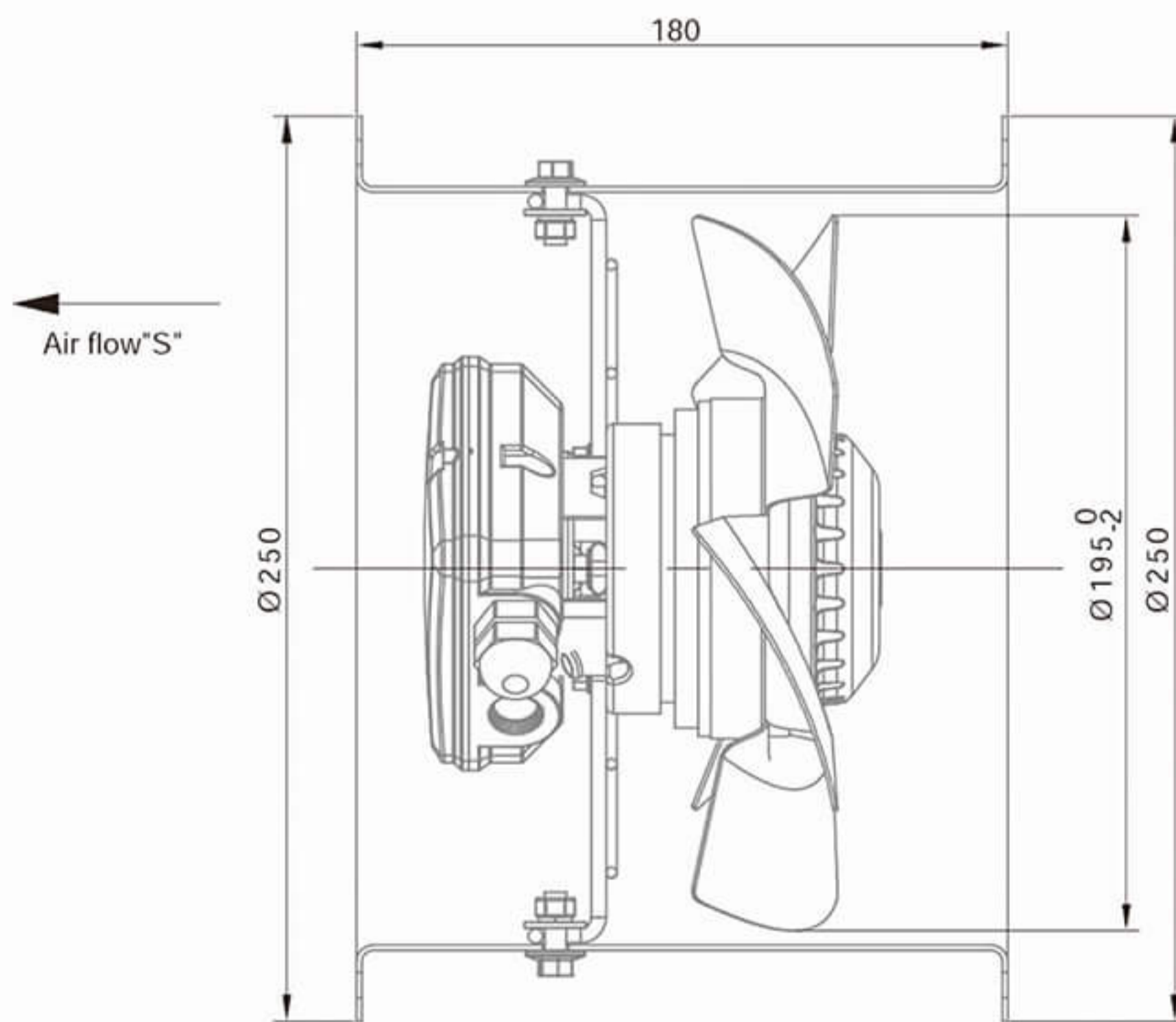
Model	Voltage (V)	Frequency (Hz)	Input Power (W)	Current (A)	Air Volume (m ³ /h)	Speed (r/min)	Capacitor (μF)	Noise [dB(A)]	Max Environmental Temperature(°C)	Weight (Kg)
BMF-2B200-Z-S5A	115	60	140	1.1	940	3100	12	67	65	2.2

AC Axial Fans $\Phi 200$



Product Characteristic

Motor technology: AC Outer rotor
 Mode of Operation: S1
 Protection Class: IP54
 Insulation Class: B/F
 Bearings: Maintenance-free ball bearings
 Blades Material: Cold rolled sheet steel
 Blades count: 5
 Air direction: Suction, seen on the leads

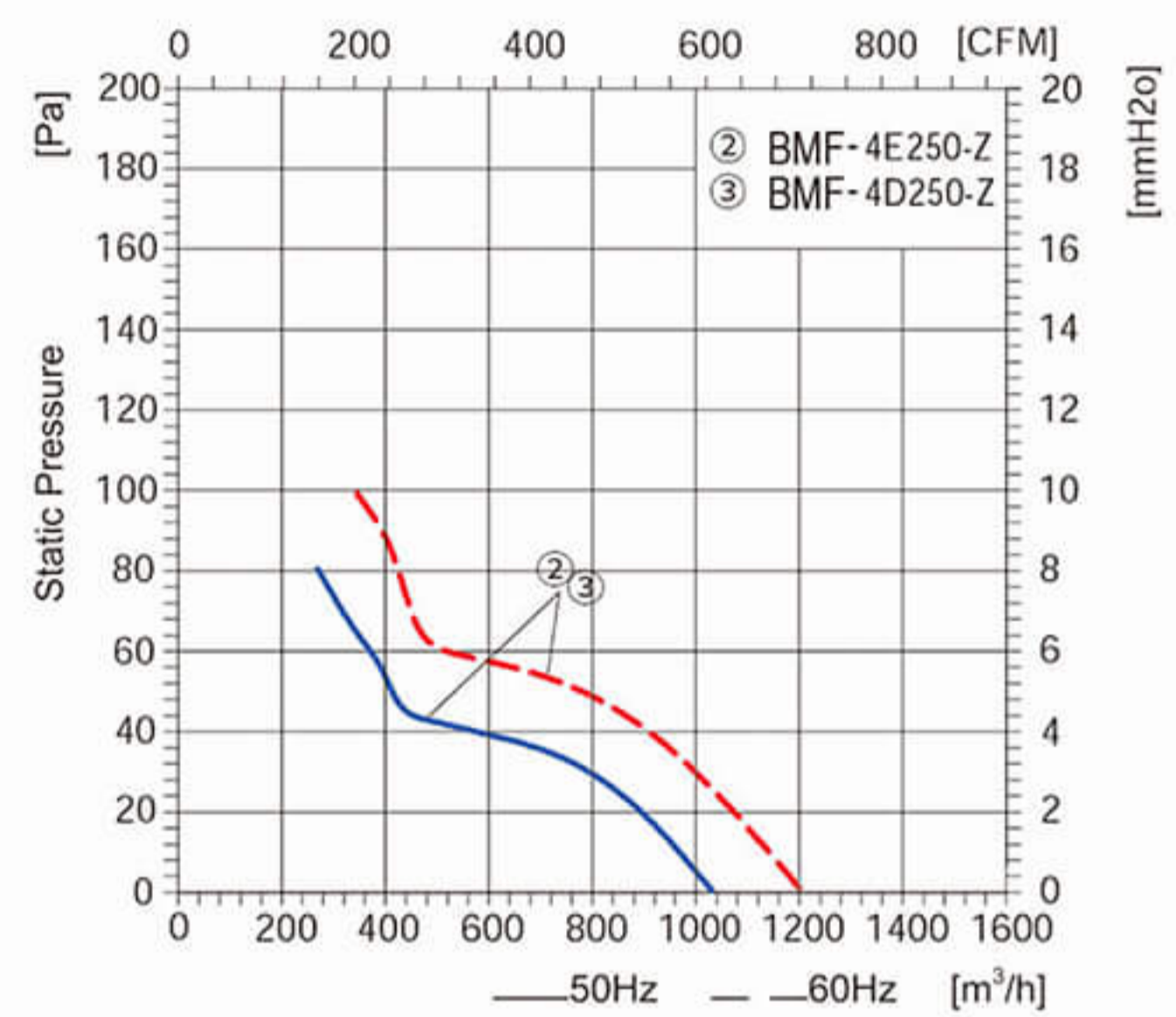
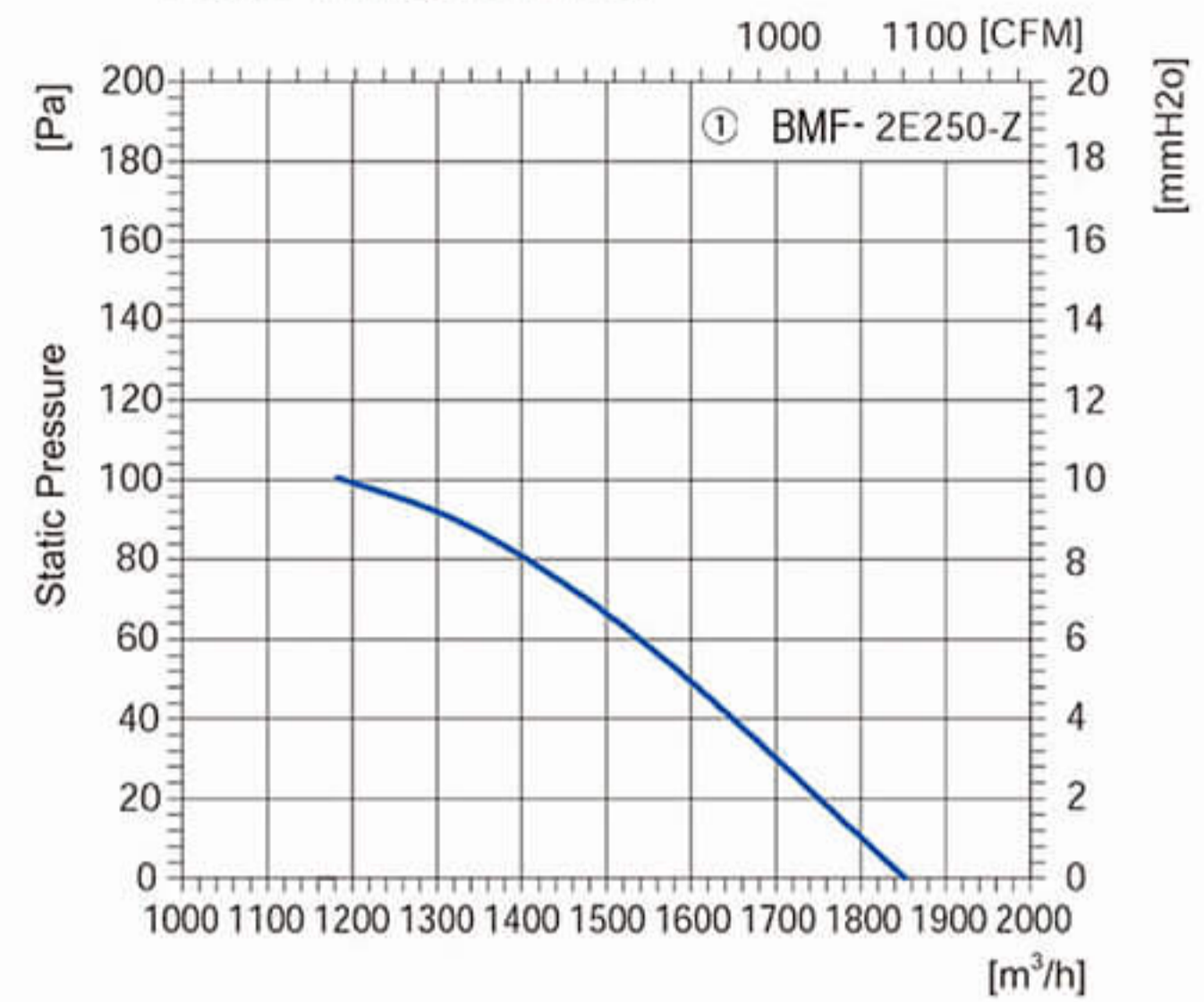


Model	Voltage (V)	Frequency (Hz)	Input Power (W)	Current (A)	Air Volume (m³/h)	Speed (r/min)	Capacitor (µF)	Noise [dB(A)]	Max Environmental Temperature(°C)	Weight (Kg)
BMF-2E200-ZT-S5F	230	50	80	0.35	830	2700	2	60	65	3.9

AC Axial Fans Ø250

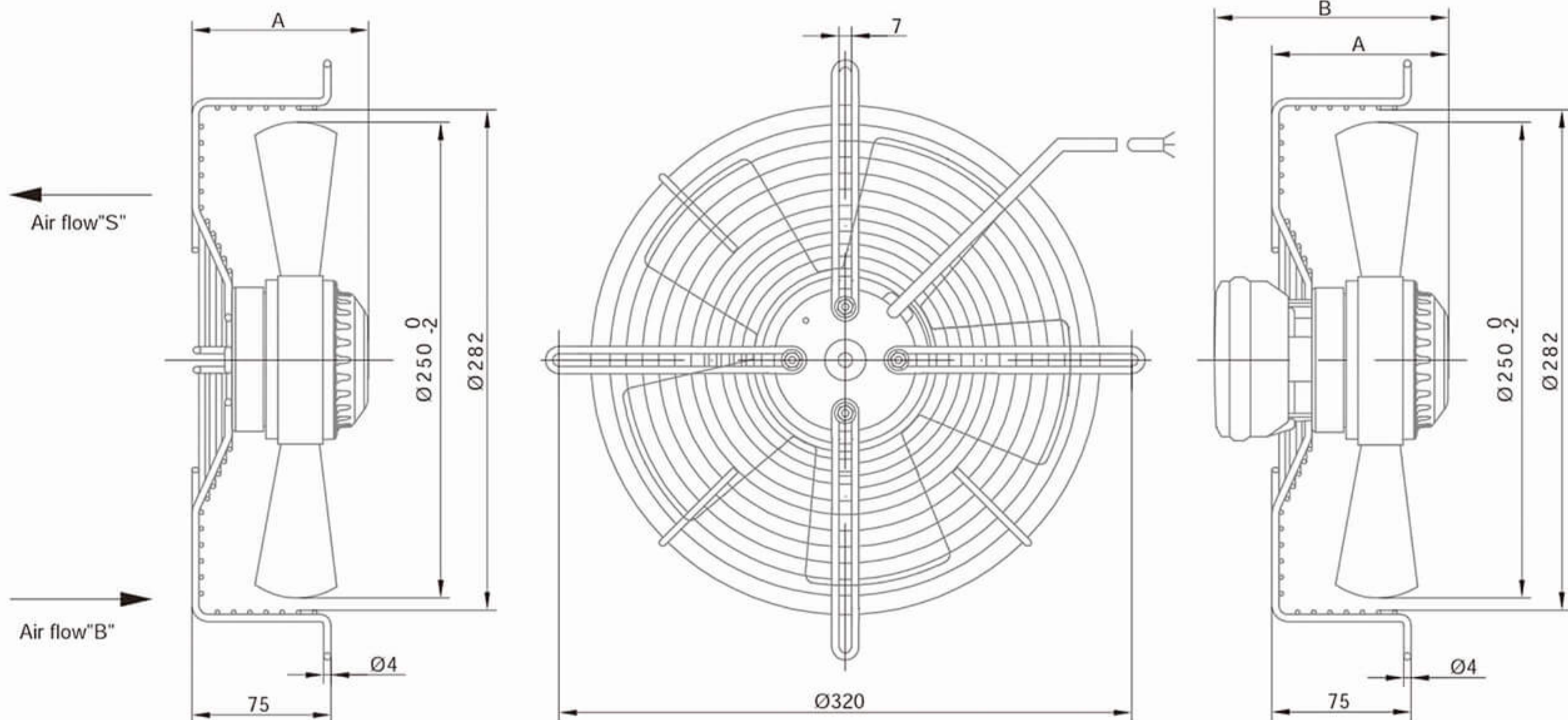


Flow Rate Curve



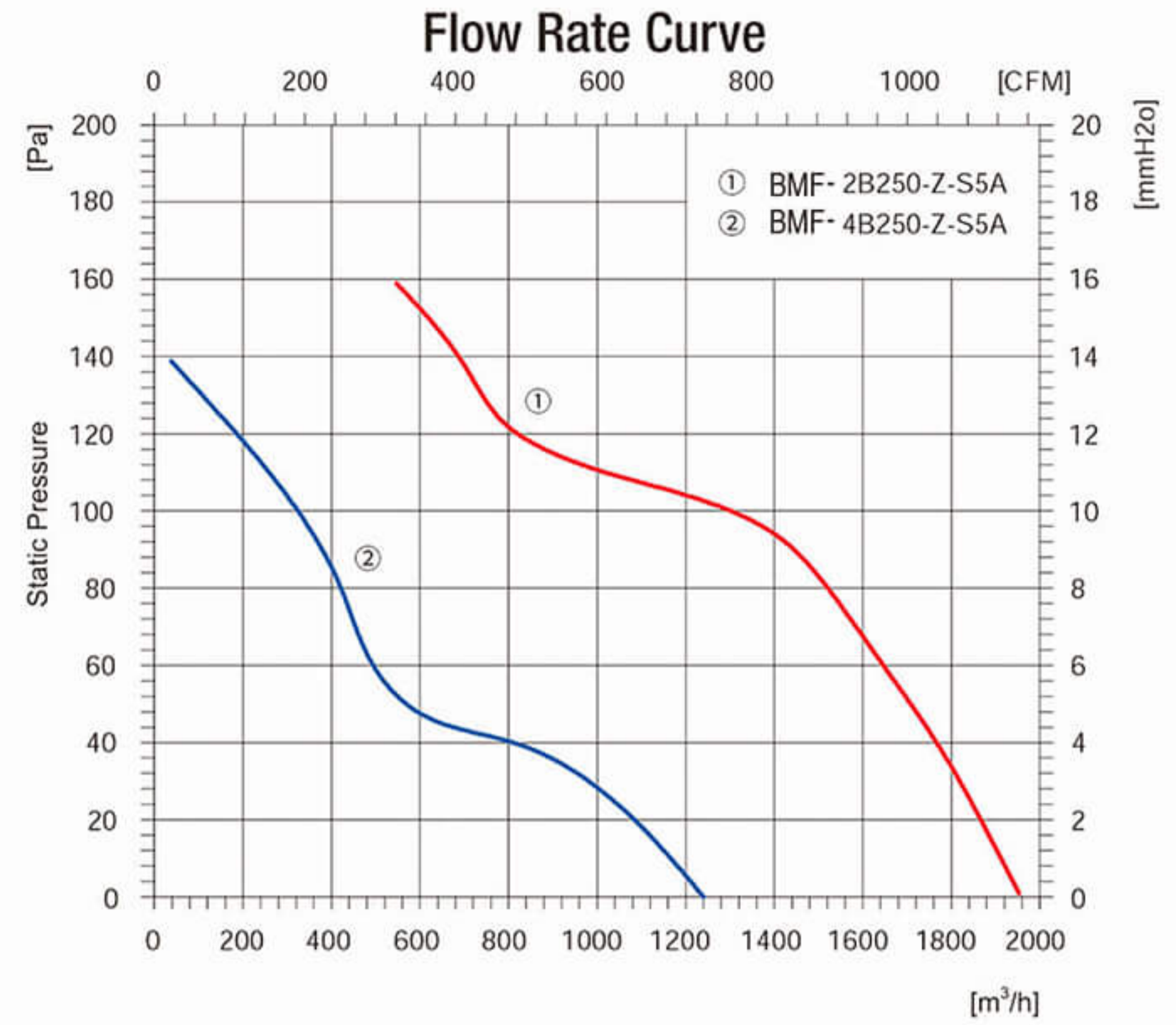
Product Characteristic

Motor technology: AC Outer rotor
 Mode of Operation: S1
 Protection Class: IP54
 Insulation Class: B/F
 Bearings: Maintenance-free ball bearings
 Blades Material: Cold rolled sheet steel
 Blades count: 5
 Air direction: seen on the leads



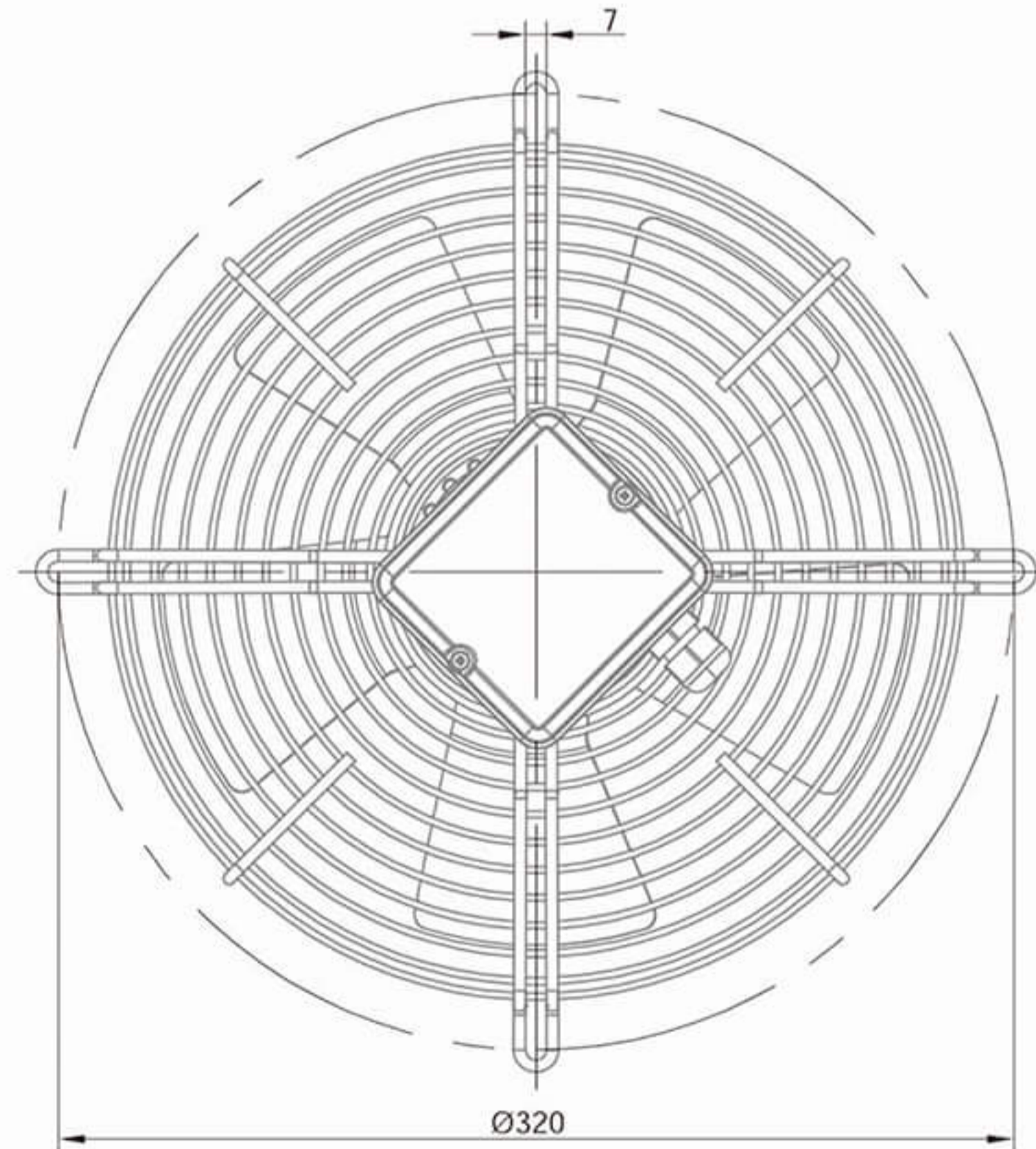
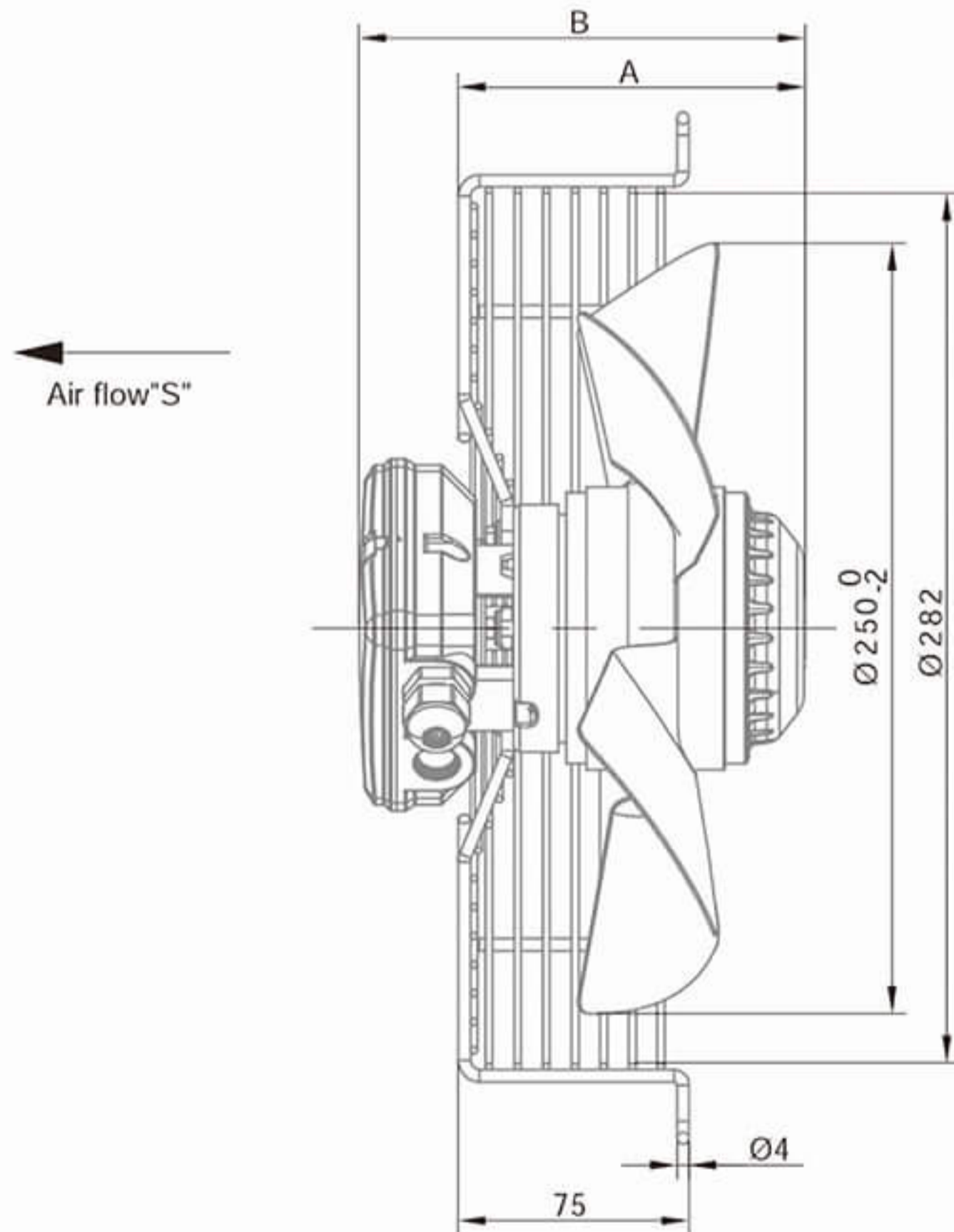
Model	Voltage (V)	Frequency (Hz)	Input Power (W)	Current (A)	Air Volume (m³/h)	Speed (r/min)	Capacitor (µF)	Noise [dB(A)]	Max Environmental Temperature(°C)	Weight (Kg)		
BMF-2E250-Z	230	50	180	0.78	1800	2500	4	68	65	3.0	102	134
BMF-4E250-Z	230	50/60	50/65	0.22/0.29	1000/1150	1380/1530	1.5	50/55	75	2.5	94	126
BMF-4D250-Z	380	50/60	60/70	0.13/0.15	1000/1150	1350/1550	-	50/55	75	2.7	94	126

AC Axial Fans $\Phi 250$



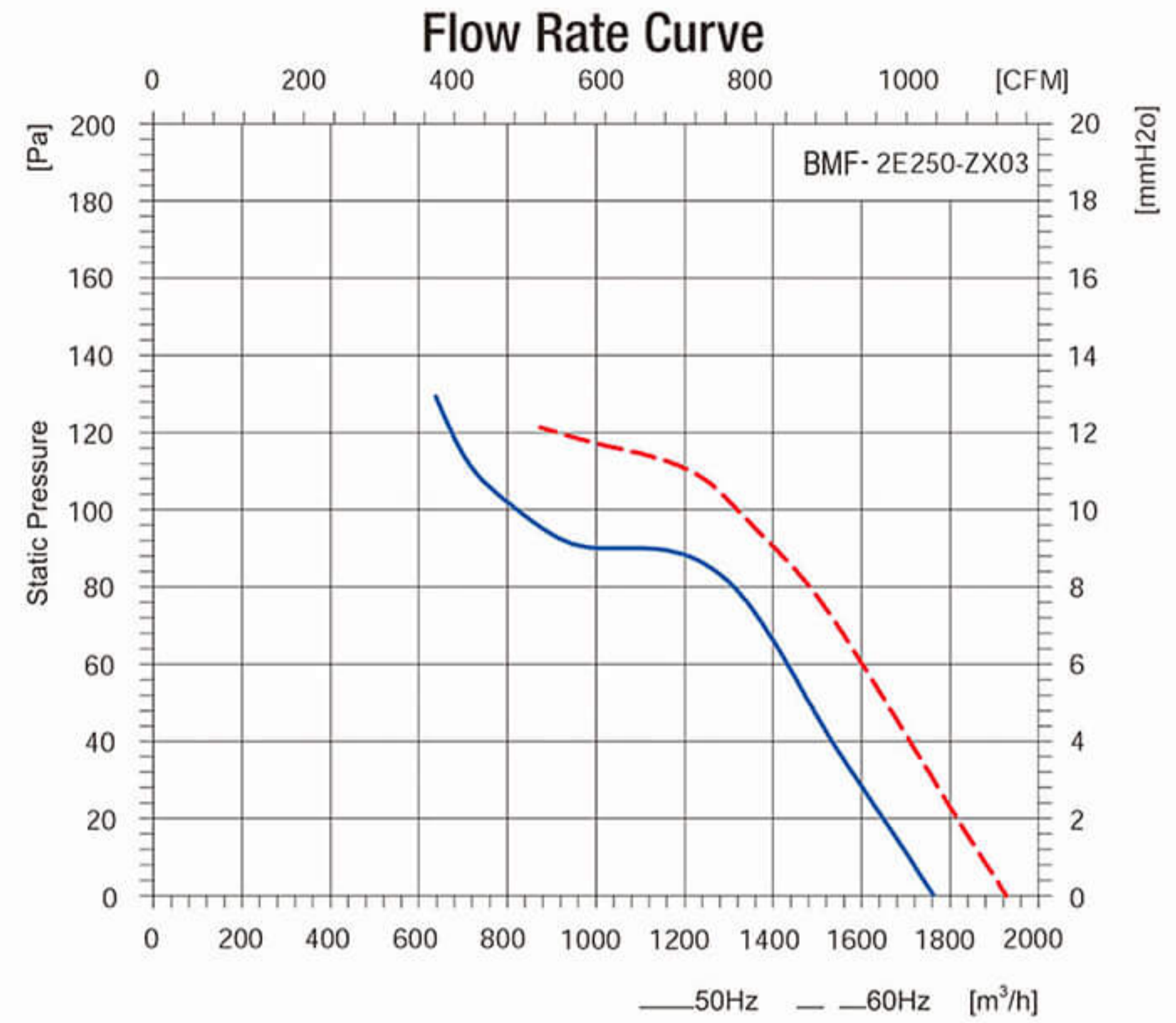
Product Characteristic

Motor technology: AC Outer rotor
 Mode of Operation: S1
 Protection Class: IP54
 Insulation Class: B/F
 Bearings: Maintenance-free ball bearings
 Blades Material: Cold rolled sheet steel
 Blades count: 5
 Air direction: Suction, seen on the leads



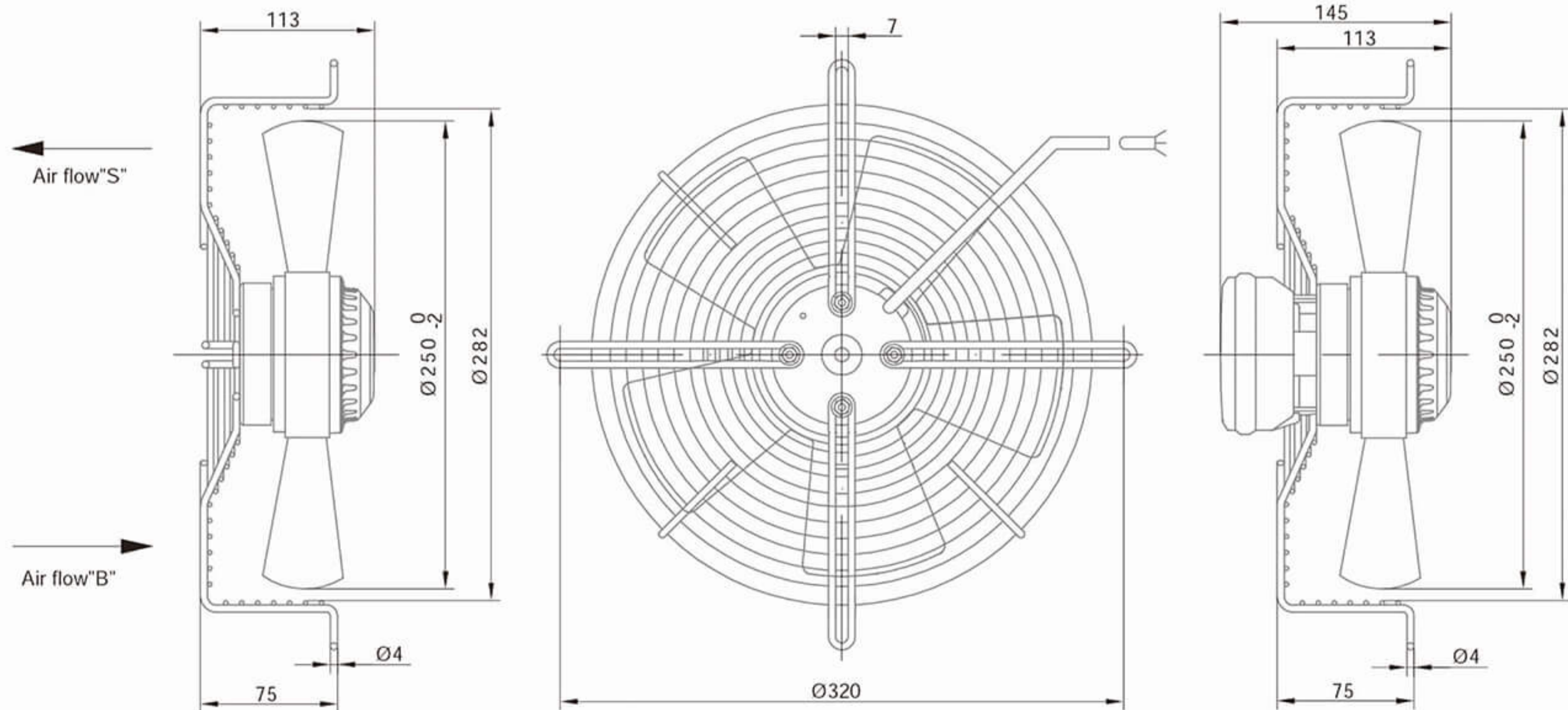
Model	Voltage (V)	Frequency (Hz)	Input Power (W)	Current (A)	Air Volume (m³/h)	Speed (r/min)	Capacitor (µF)	Noise [dB(A)]	Max Environmental Temperature(°C)	Weight (Kg)		
BMF-2B250-Z-S5A	115	60	190	1.75	1930	2750	19	68	65	3.0	113	145
BMF-4B250-Z-S5A	115	60	65	0.57	1200	1600	6	55	75	2.5	94	126

AC Axial Fans $\Phi 200$



Product Characteristic

Motor technology:	AC Outer rotor
Mode of Operation:	S1
Protection Class:	IP54
Insulation Class:	B/F
Bearings:	Maintenance-free ball bearings
Blades Material:	Cold rolled sheet steel
Blades count:	5
Air direction:	seen on the leads

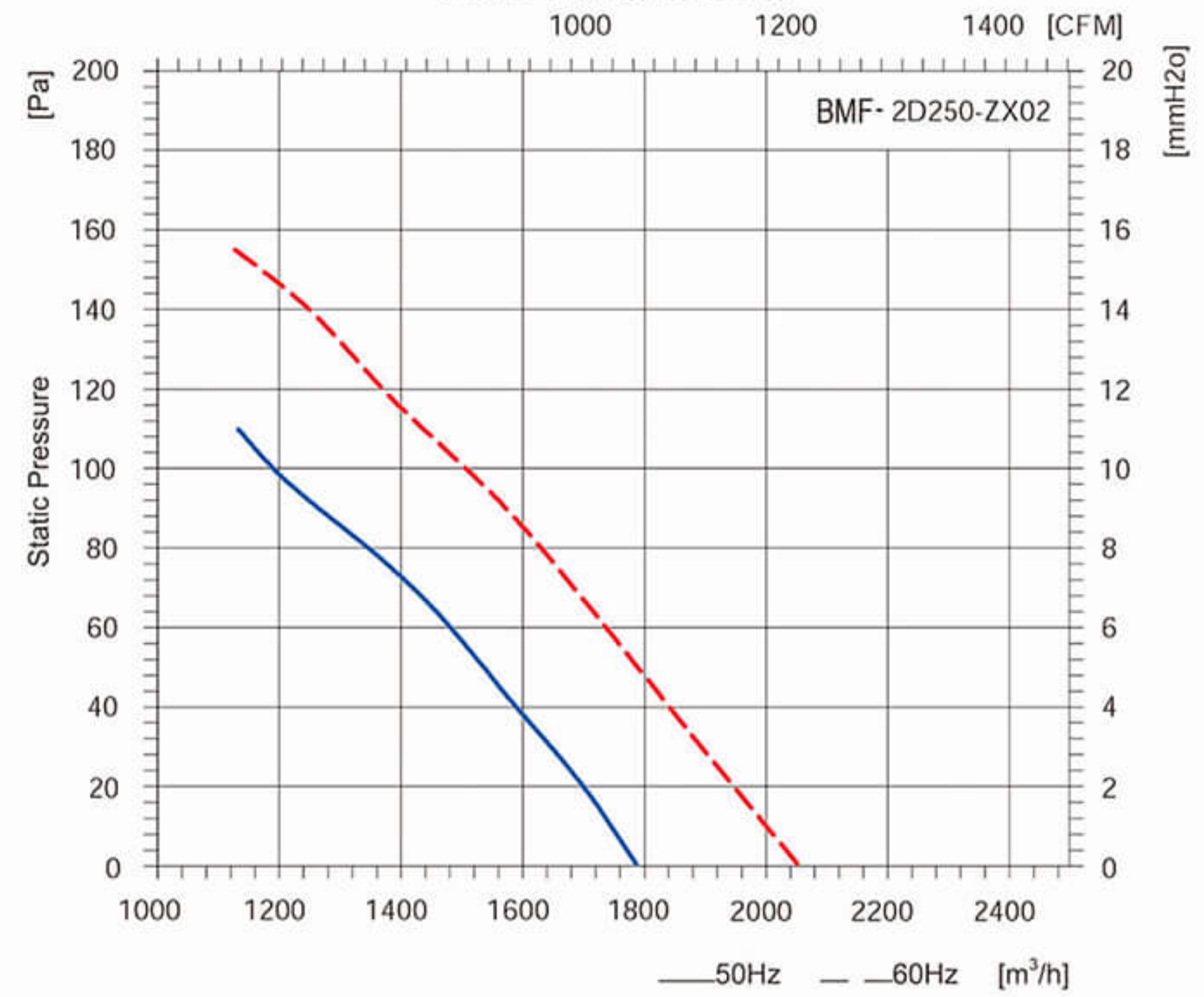


Model	Voltage (V)	Frequency (Hz)	Input Power (W)	Current (A)	Air Volume (m ³ /h)	Speed (r/min)	Capacitor (μF)	Noise [dB(A)]	Max Environmental Temperature(°C)	Weight (Kg)
BMF-2E250-ZX03	230	50/60	150/185	0.66/0.84	1700/1900	2500/2600	6	69/70	65	3.2

AC Axial Fans $\Phi 200$

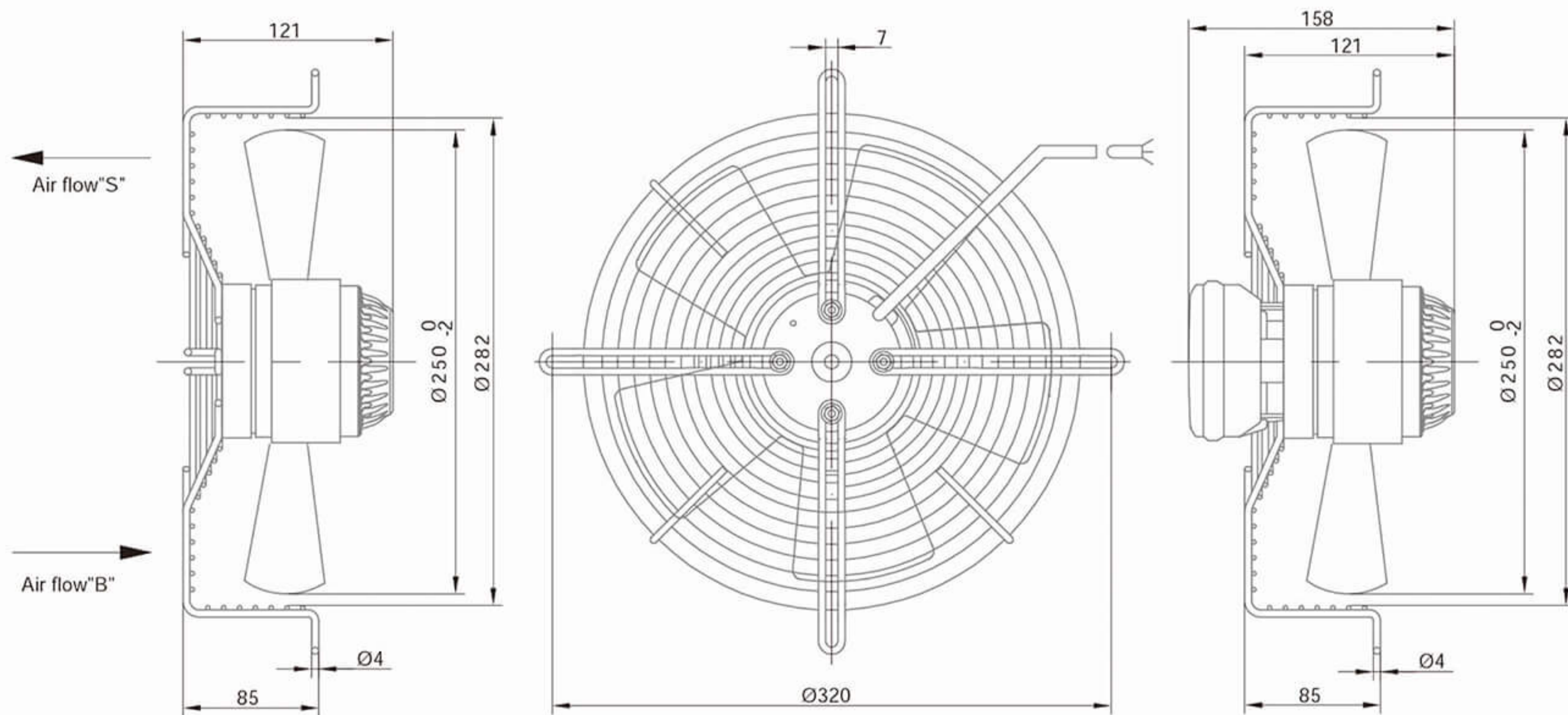


Flow Rate Curve



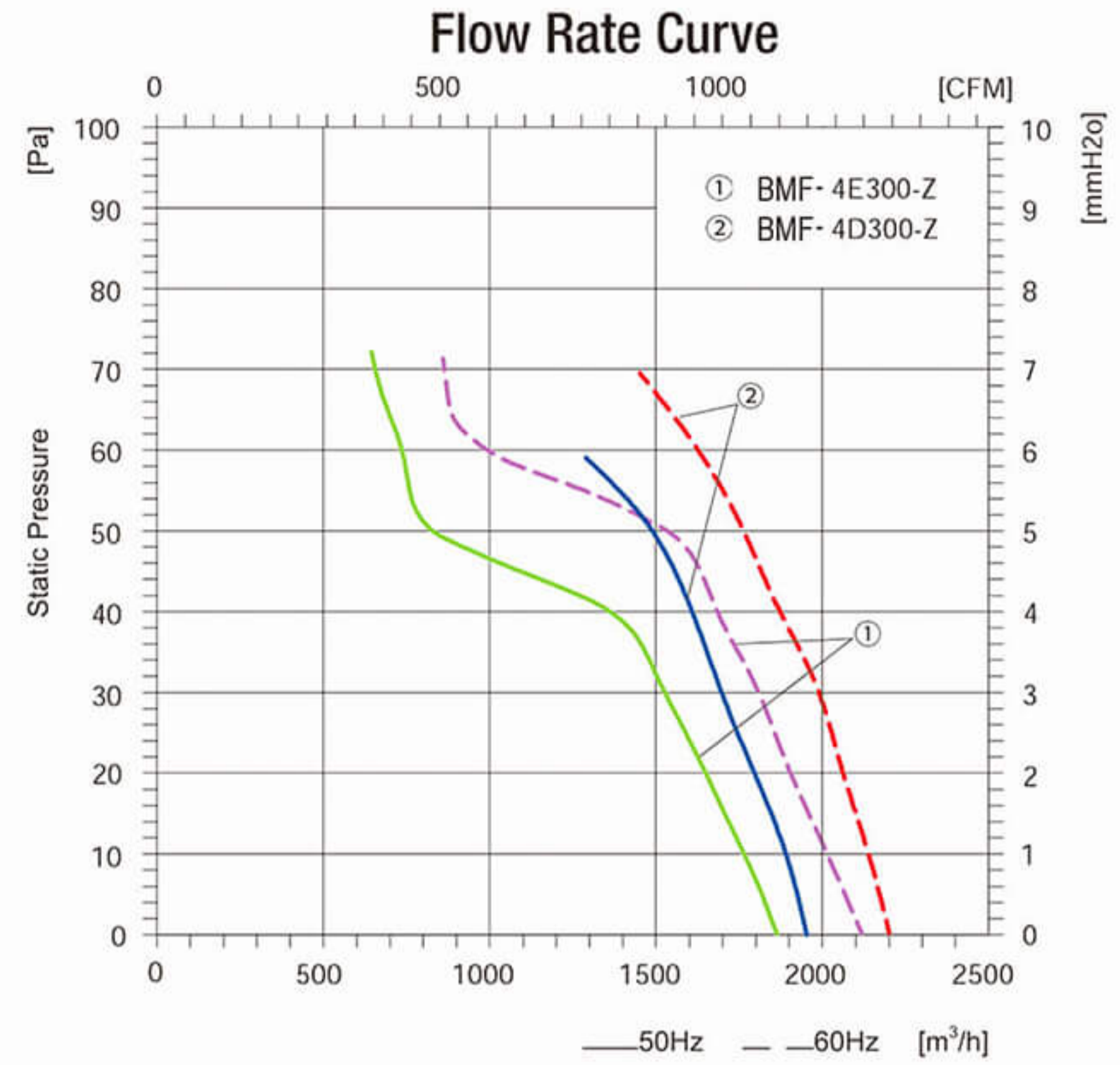
Product Characteristic

Motor technology: AC Outer rotor
 Mode of Operation: S1
 Protection Class: IP54
 Insulation Class: B/F
 Bearings: Maintenance-free ball bearings
 Blades Material: Cold rolled sheet steel
 Blades count: 5
 Air direction: seen on the leads



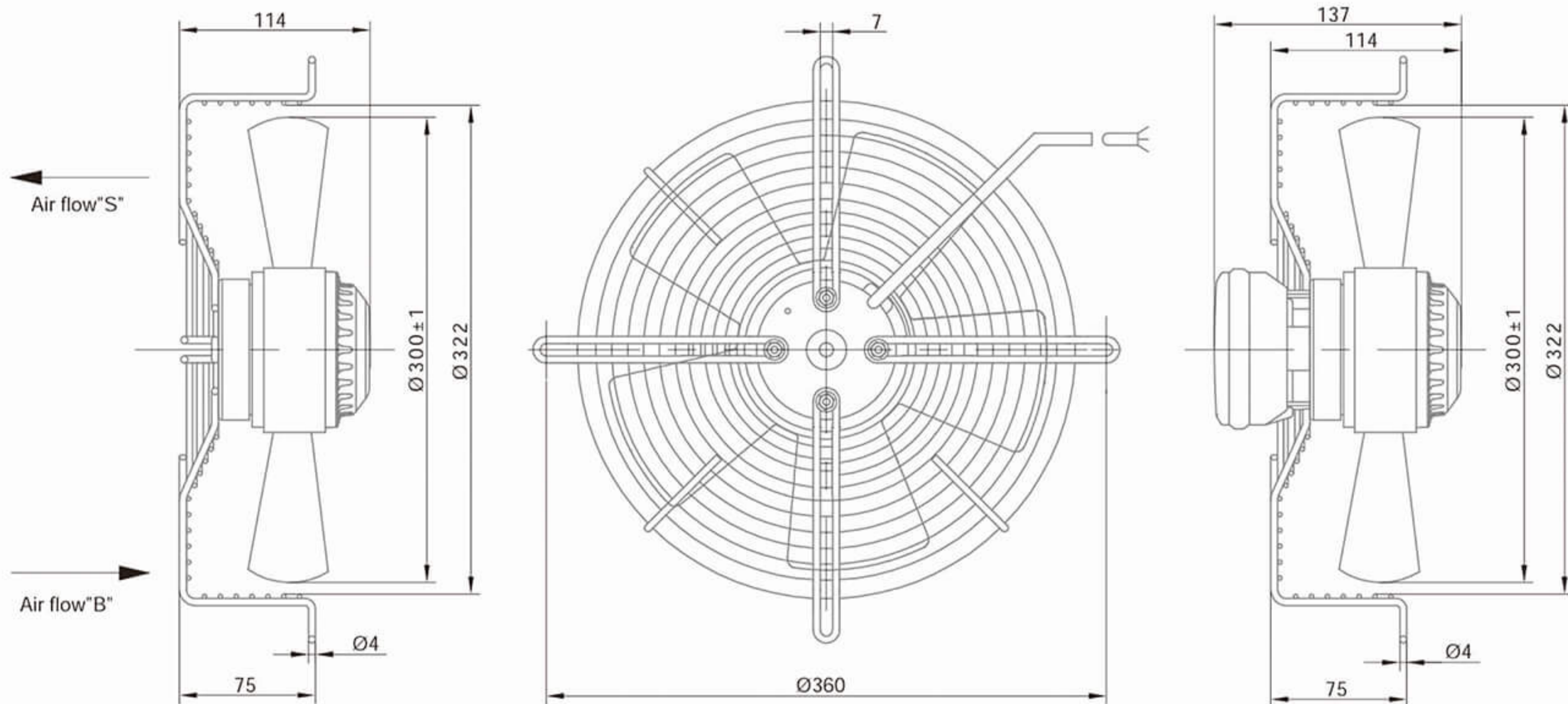
Model	Voltage (V)	Frequency (Hz)	Input Power (W)	Current (A)	Air Volume (m³/h)	Speed (r/min)	Capacitor (µF)	Noise [dB(A)]	Max Environmental Temperature(°C)	Weight (Kg)
BMF-2D250-ZX02	380	50/60	160/200	0.30/0.31	1650/1900	2750/3100	-	70/72	65	3.4

AC Axial Fans $\Phi 200$



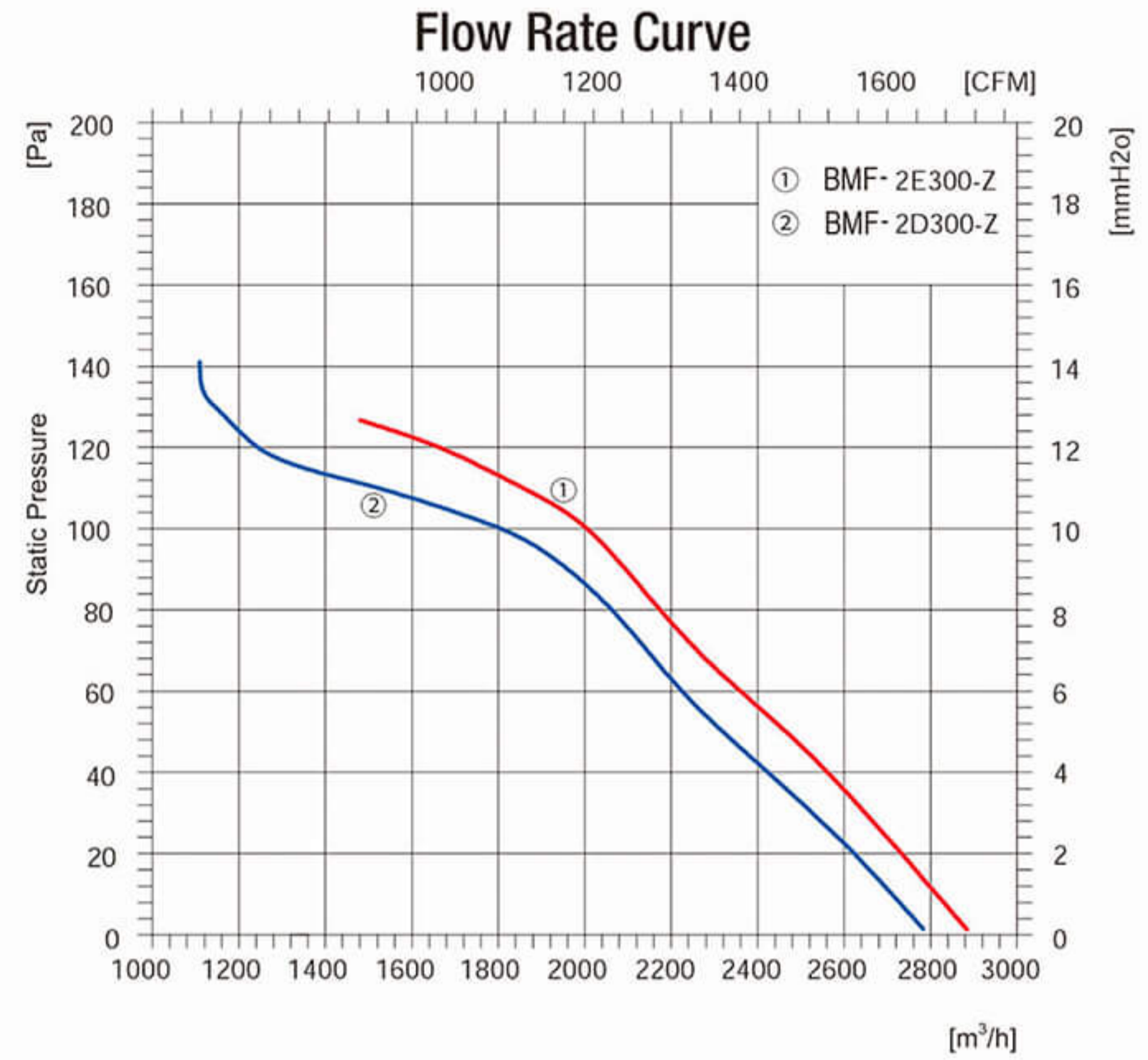
Product Characteristic

Motor technology: AC Outer rotor
 Mode of Operation: S1
 Protection Class: IP54
 Insulation Class: B/F
 Bearings: Maintenance-free ball bearings
 Blades Material: Cold rolled sheet steel
 Blades count: 5
 Air direction: seen on the leads



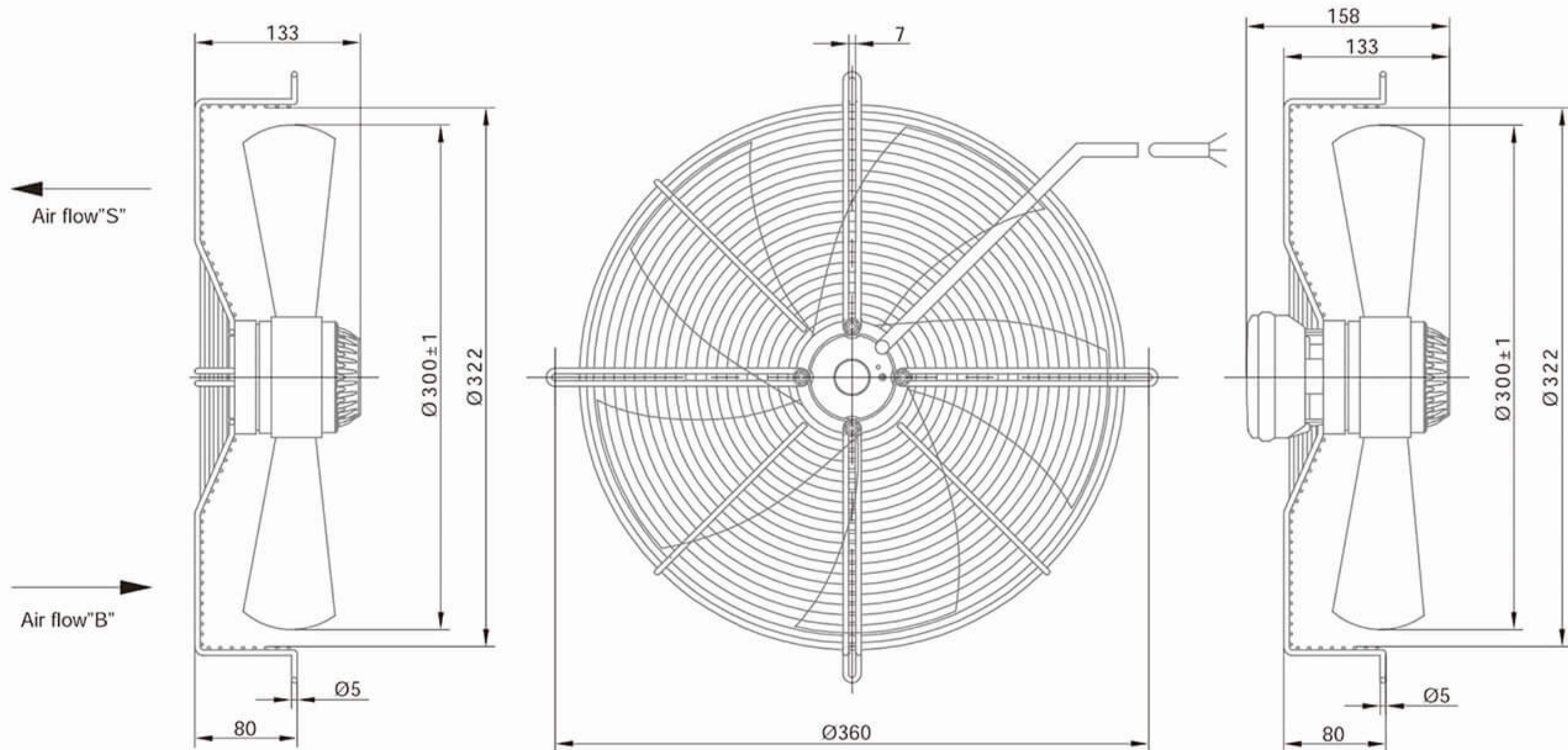
Model	Voltage (V)	Frequency (Hz)	Input Power (W)	Current (A)	Air Volume (m³/h)	Speed (r/min)	Capacitor (μ F)	Noise [dB(A)]	Max Environmental Temperature(°C)	Weight (Kg)
BMF-4E300-Z	230	50/60	90/115	0.38/0.48	1900/2100	1370/1500	3	55/60	65	3.2
BMF-4D300-Z	380	50/60	95/120	0.26/0.24	1950/2150	1400/1600	-	55/60	65	4.0

AC Axial Fans $\Phi 200$



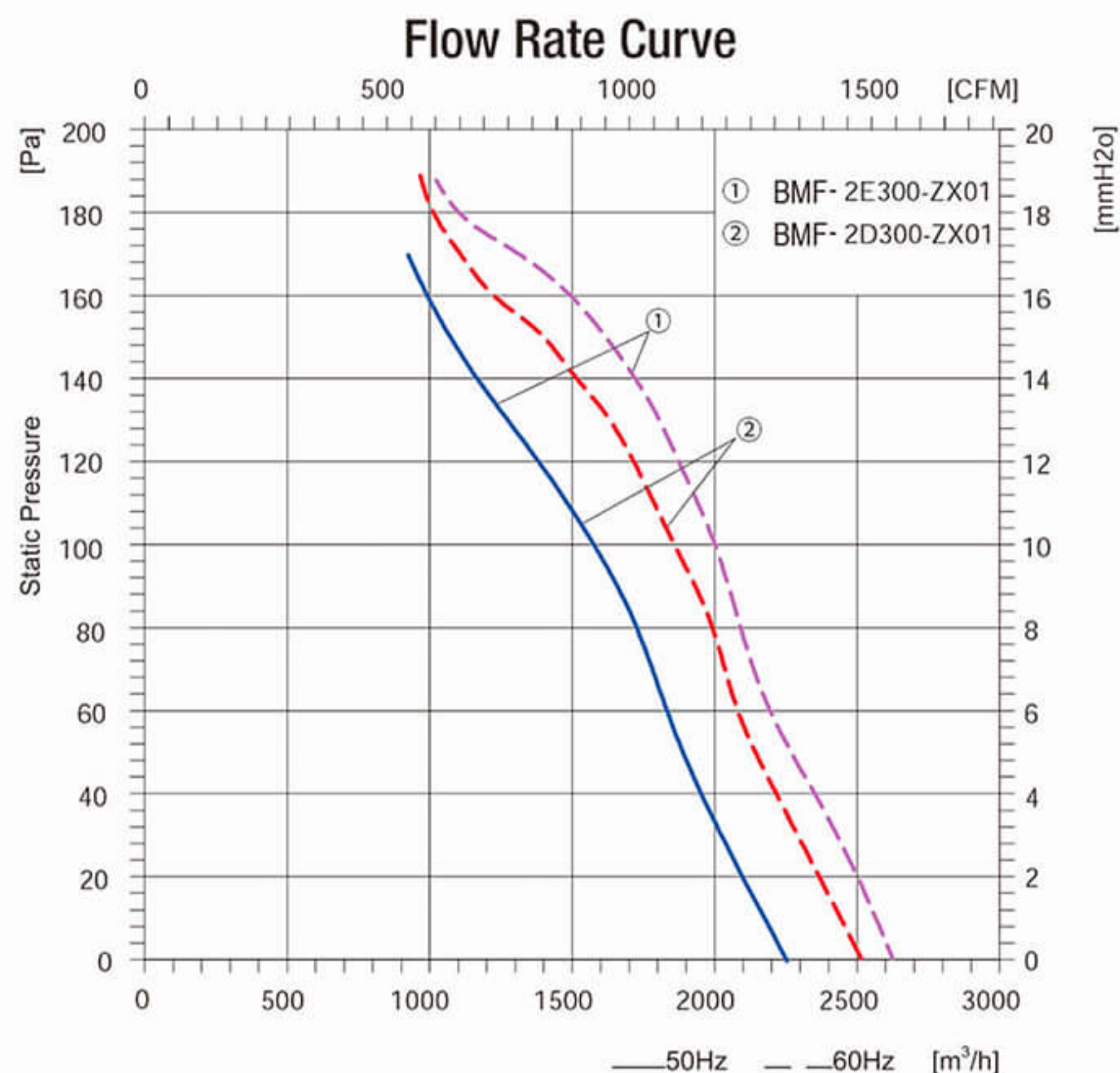
Product Characteristic

Motor technology: AC Outer rotor
 Mode of Operation: S1
 Protection Class: IP54
 Insulation Class: B/F
 Bearings: Maintenance-free ball bearings
 Blades Material: Cold rolled sheet steel
 Blades count: 5
 Air direction: seen on the leads



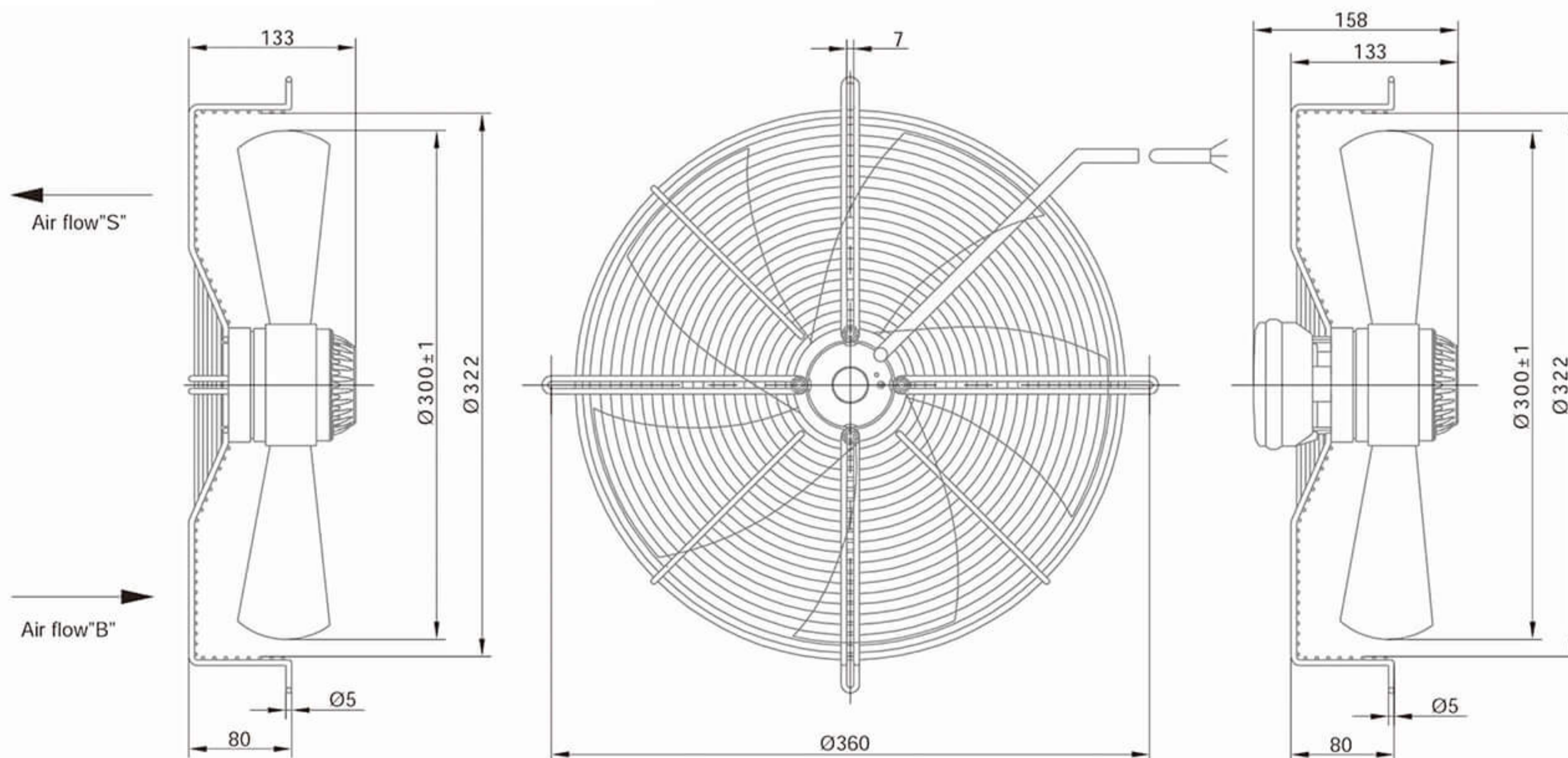
Model	Voltage (V)	Frequency (Hz)	Input Power (W)	Current (A)	Air Volume (m³/h)	Speed (r/min)	Capacitor (µF)	Noise [dB(A)]	Max Environmental Temperature(°C)	Weight (Kg)
BMF-2E300-Z	230	50	250	1.1	3000	2530	6	70	65	4.7
BMF-2D300-Z	380	50	250	0.45	3000	2500	-	72	65	4.7

AC Axial Fans $\Phi 200$



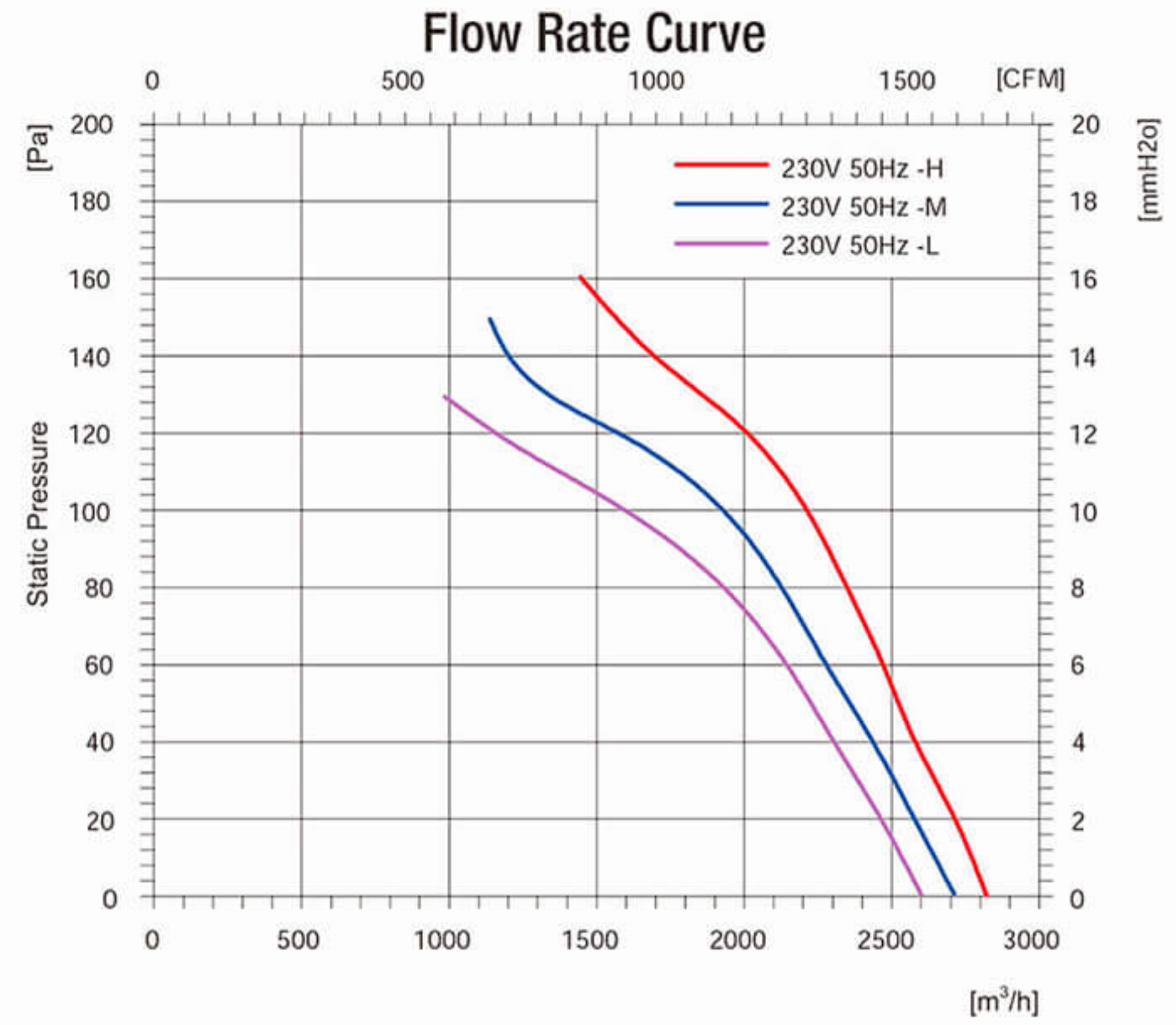
Product Characteristic

Motor technology: AC Outer rotor
 Mode of Operation: S1
 Protection Class: IP54
 Insulation Class: B/F
 Bearings: Maintenance-free ball bearings
 Blades Material: Cold rolled sheet steel
 Blades count: 5
 Air direction: seen on the leads



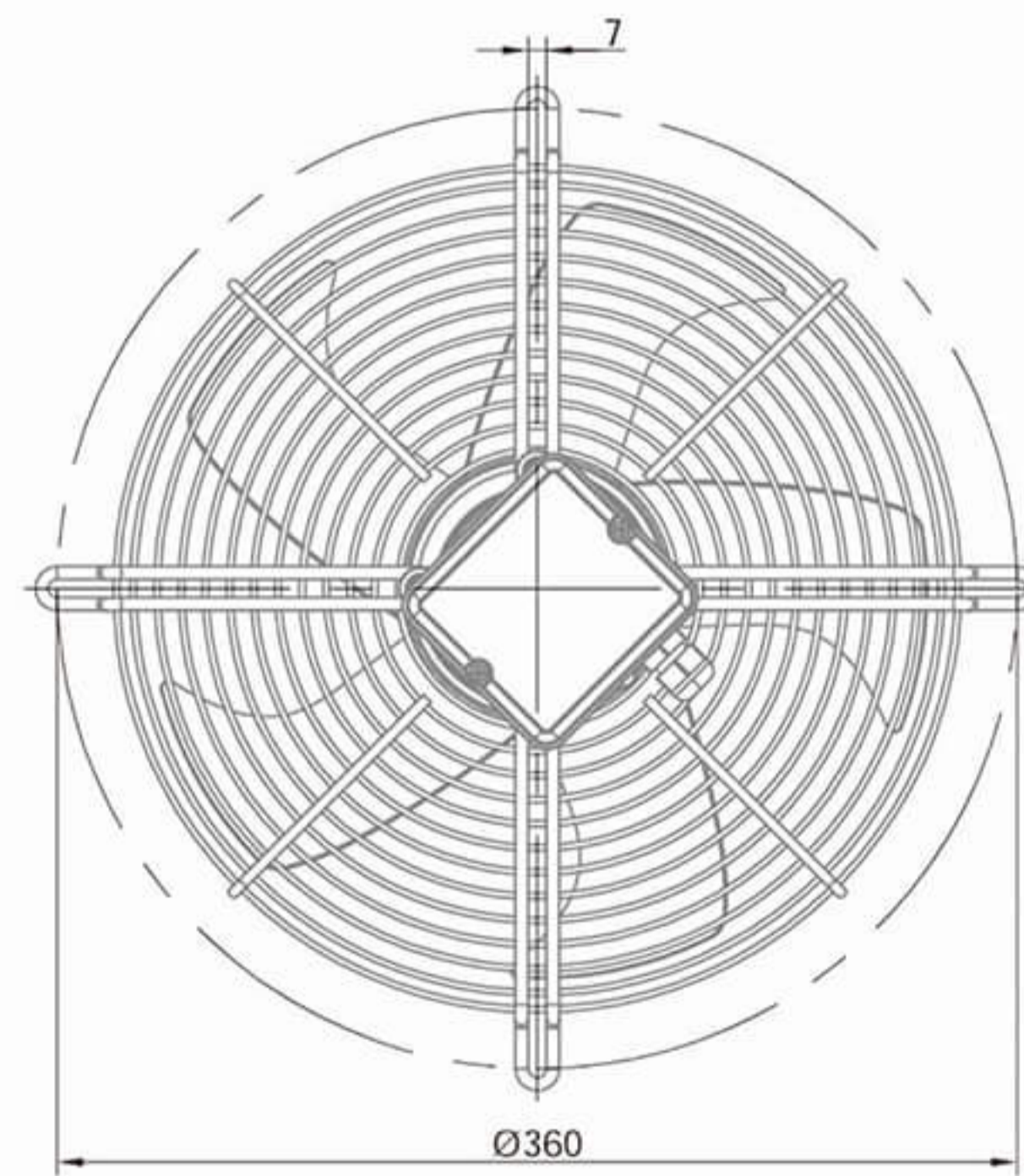
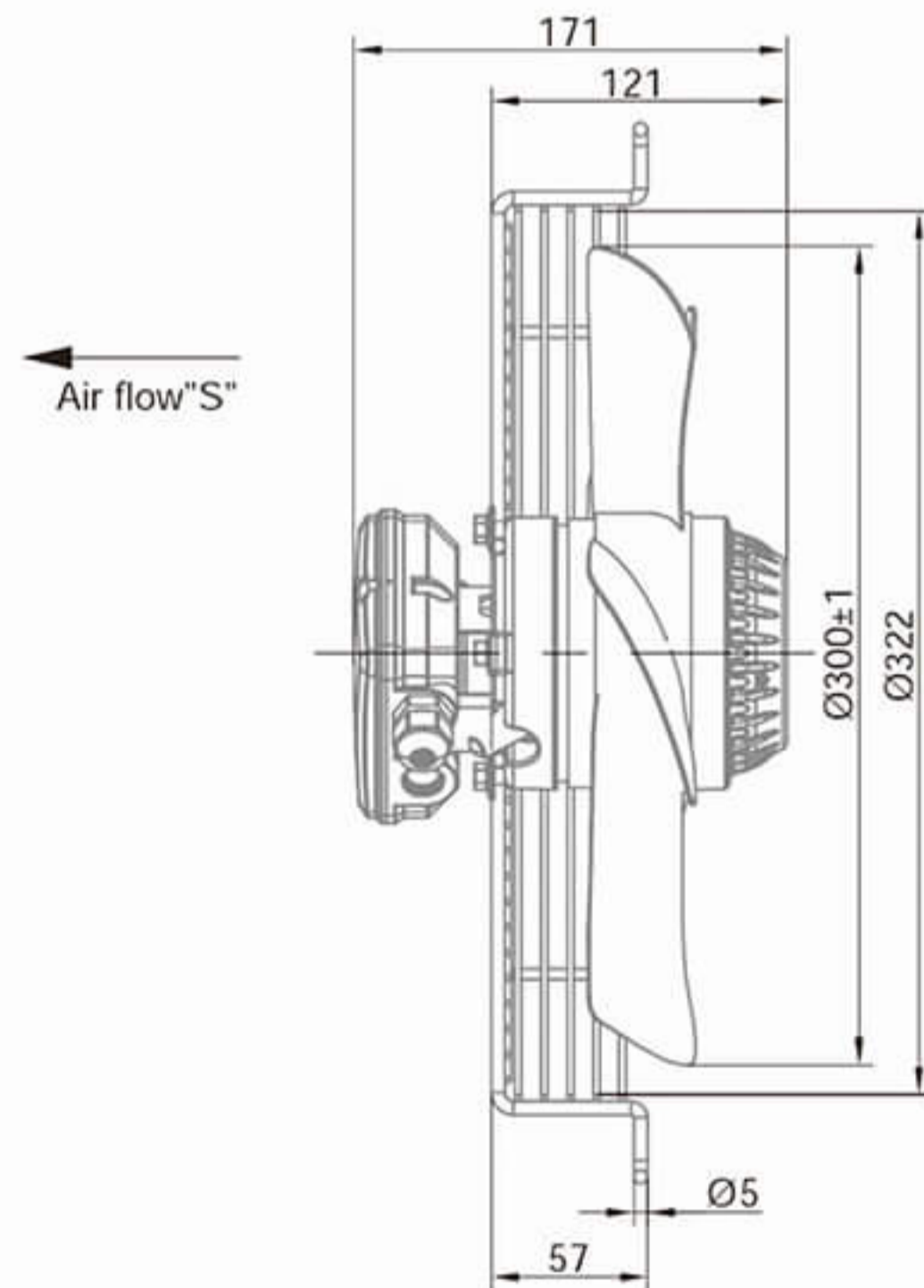
Model	Voltage (V)	Frequency (Hz)	Input Power (W)	Current (A)	Air Volume (m ³ /h)	Speed (r/min)	Capacitor (μ F)	Noise [dB(A)]	Max Environmental Temperature(°C)	Weight (Kg)
BMF-2E300-ZX01	230	50/60	200/270	0.9/1.2	2300/2700	2750/3140	6	72/75	65	4.7
BMF-2D300-ZX01	380	50/60	200/250	0.33/0.40	2250/2600	2600/2900	-	70/73	65	4.7

AC Axial Fans $\Phi 200$



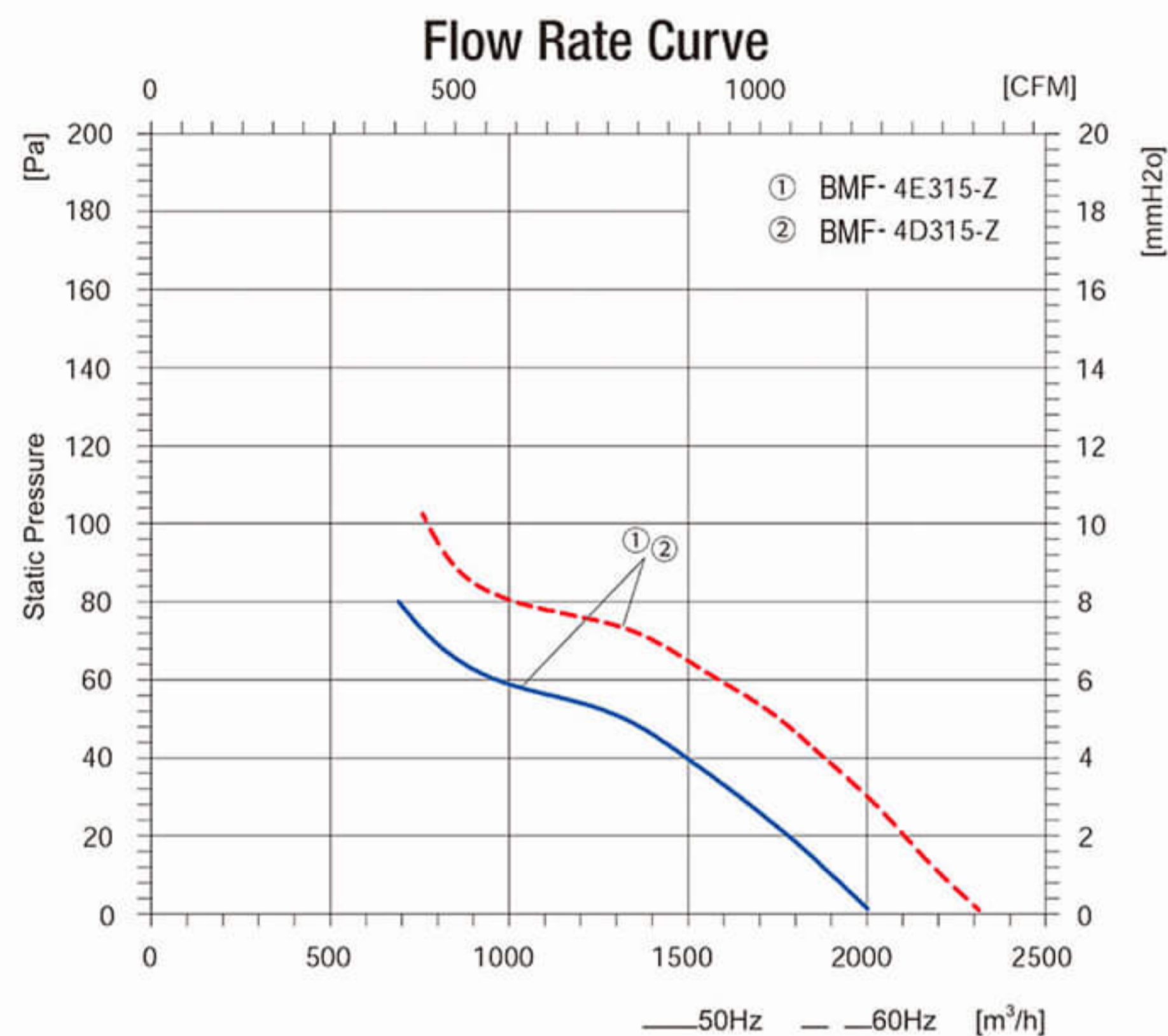
Product Characteristic

- Motor technology: AC Outer rotor
- Mode of Operation: S1
- Protection Class: IP54
- Insulation Class: B/F
- Bearings: Maintenance-free ball bearings
- Blades Material: Cold rolled sheet steel
- Blades count: 5
- Air direction: Suction, seen on the leads
- Three stage speed adjust available



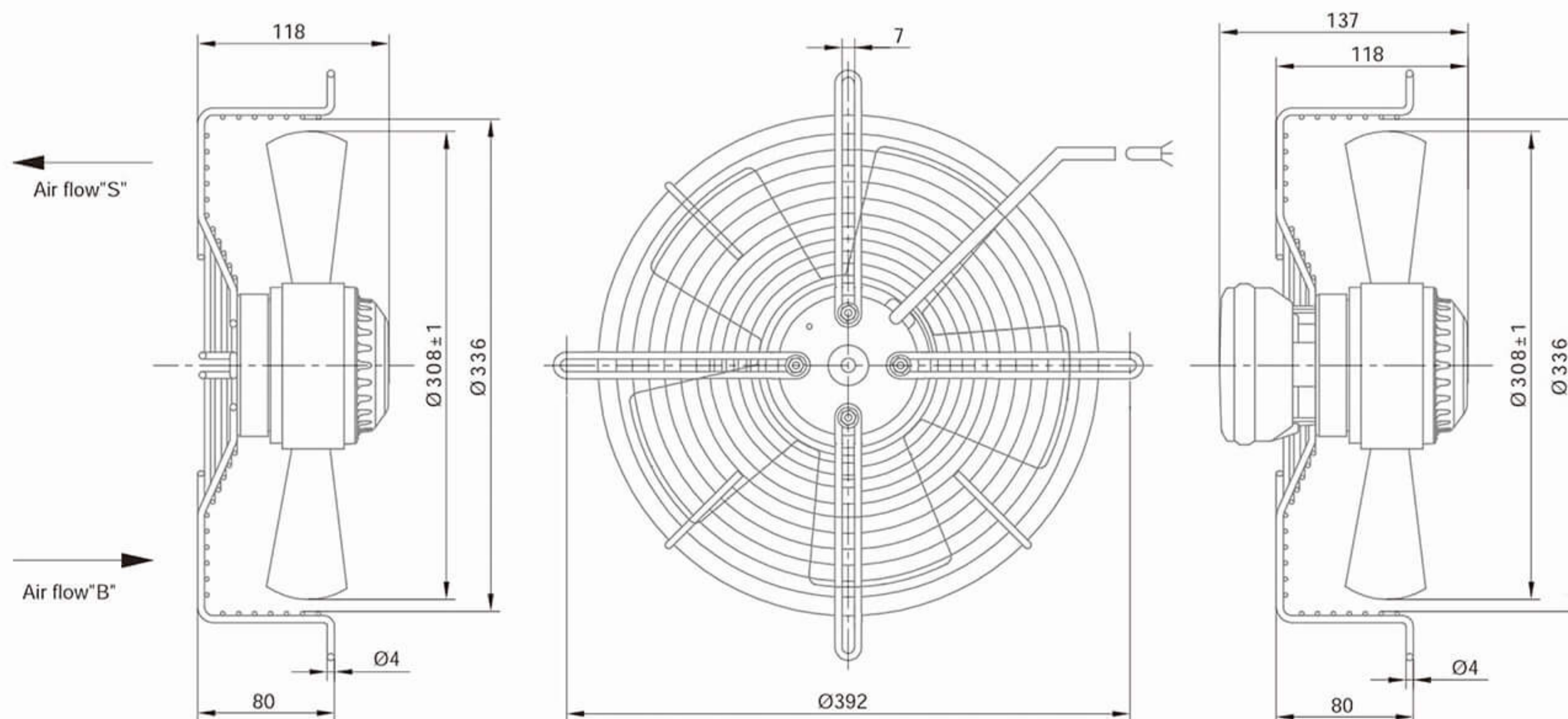
Model	Voltage (V)	Frequency (Hz)	Input Power (W)	Current (A)	Air Volume (m ³ /h)	Speed (r/min)	Capacitor (μF)	Noise [dB(A)]	Max Environmental Temperature(°C)	Weight (Kg)
BMF-2E300-ZX05-S5G	220-H	50	300	1.36	2750	2800	10	72	65	5.5
	220-M	50	240	1.1	2630	2600	10	-	65	5.5
	220-L	50	230	1.0	2500	2400	10	-	65	5.5

AC Axial Fans $\Phi 315$



Product Characteristic

Motor technology: AC Outer rotor
 Mode of Operation: S1
 Protection Class: IP54
 Insulation Class: B/F
 Bearings: Maintenance-free ball bearings
 Blades Material: Cold rolled sheet steel
 Blades count: 5
 Air direction: seen on the leads

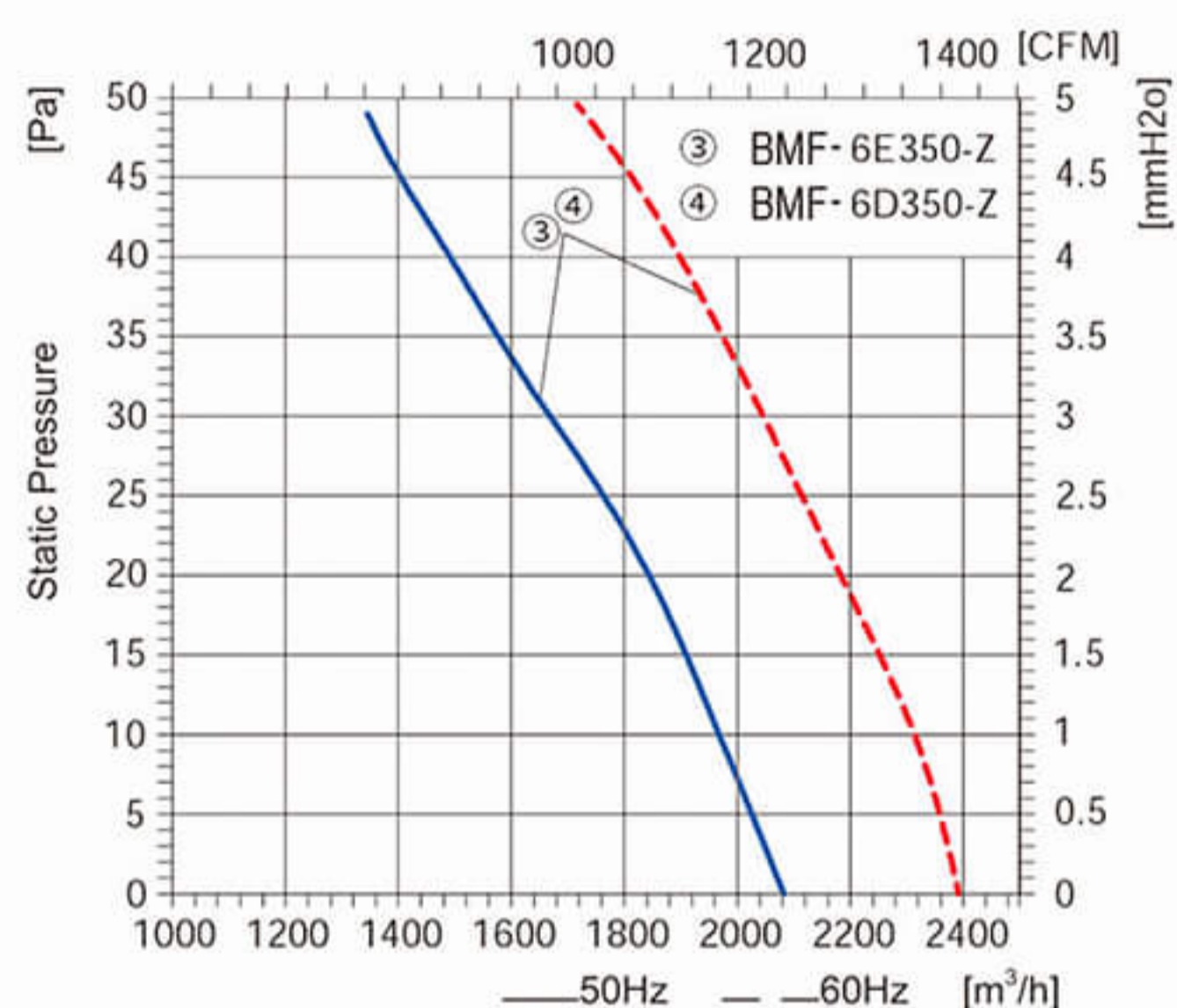
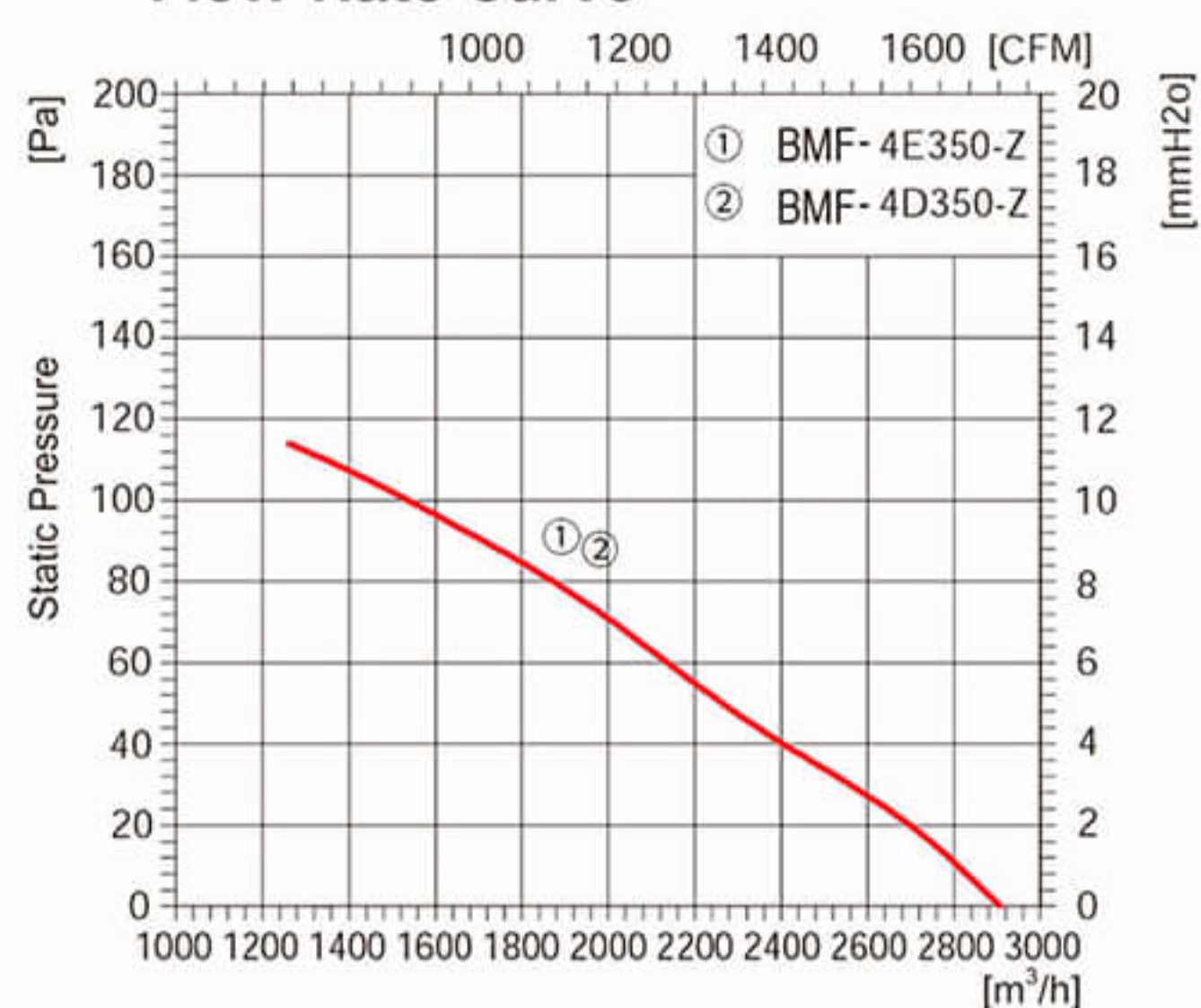


Model	Voltage (V)	Frequency (Hz)	Input Power (W)	Current (A)	Air Volume (m³/h)	Speed (r/min)	Capacitor (µF)	Noise [dB(A)]	Max Environmental Temperature(°C)	Weight (Kg)
BMF-4E315-Z	230	50/60	100/130	0.5/0.6	2000/2300	1400/1600	4	60/65	65	3.3
BMF-4D315-Z	380	50/60	110/125	0.25/0.22	2000/2300	1400/1600	-	60/65	65	3.3

AC Axial Fans $\Phi 350$

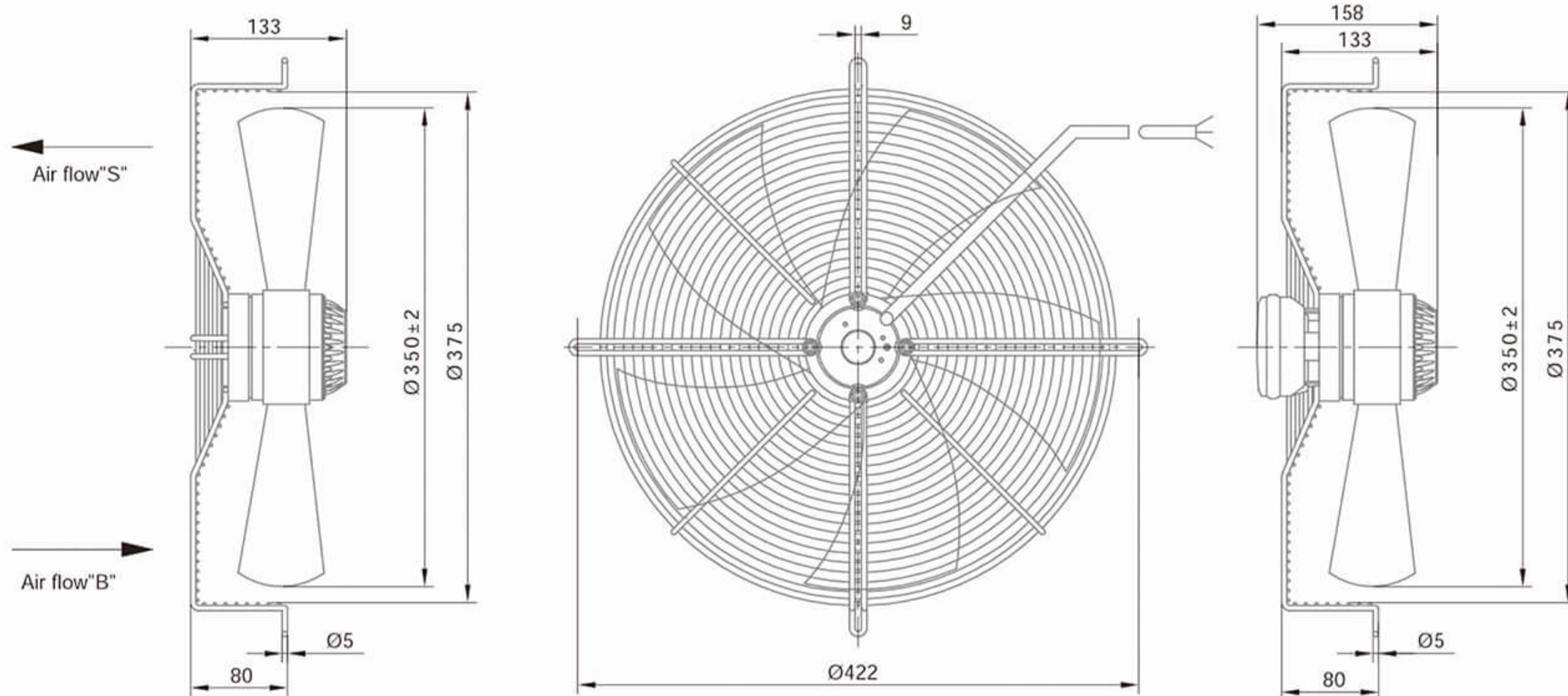


Flow Rate Curve



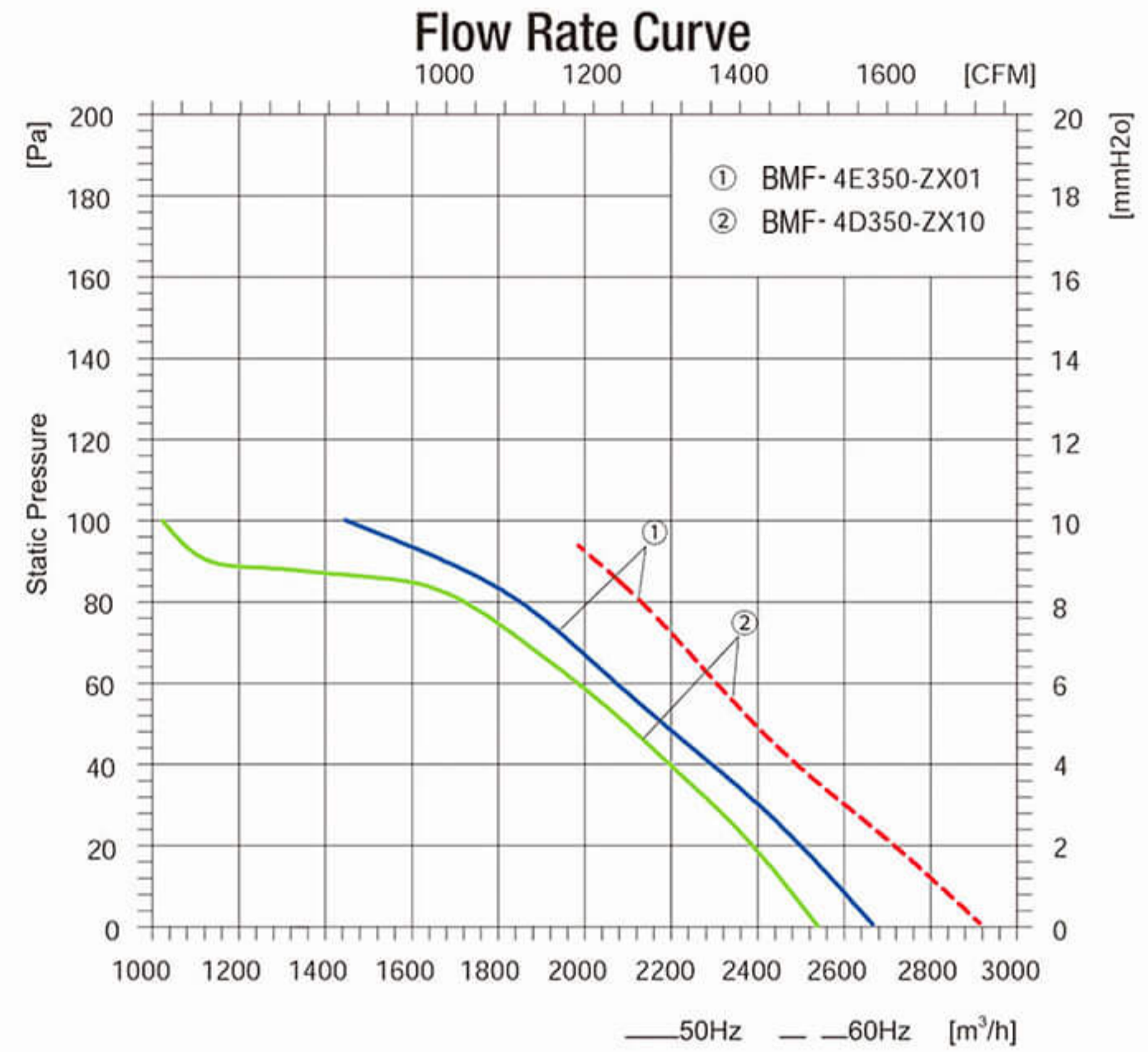
Product Characteristic

Motor technology: AC Outer rotor
 Mode of Operation: S1
 Protection Class: IP54
 Insulation Class: B/F
 Bearings: Maintenance-free ball bearings
 Blades Material: Cold rolled sheet steel
 Blades count: 5
 Air direction: seen on the leads



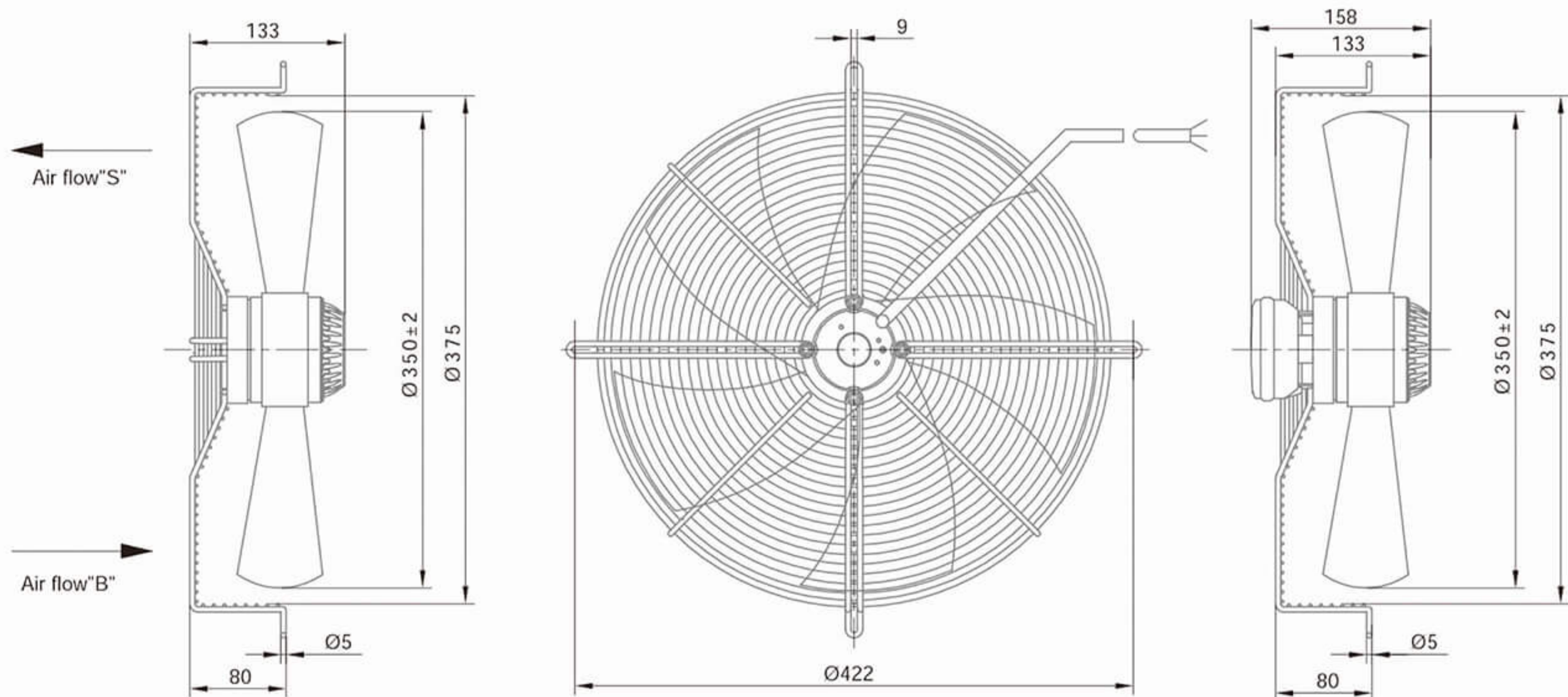
Model	Voltage (V)	Frequency (Hz)	Input Power (W)	Current (A)	Air Volume (m³/h)	Speed (r/min)	Capacitor (µF)	Noise [dB(A)]	Max Environmental Temperature(°C)	Weight (Kg)
BMF-4E350-Z	230	50	138	0.68	2980	1370	4	62	65	4.7
BMF-4D350-Z	380	50	145	0.37	3000	1390	-	63	65	4.7
BMF-6E350-Z	230	50/60	80/95	0.4/0.42	2100/2450	930/1100	2	53/58	65	4.7
BMF-6D350-Z	380	50/60	90/95	0.29/0.24	2100/2450	940/1100	-	53/58	65	4.7

AC Axial Fans $\Phi 350$



Product Characteristic

Motor technology: AC Outer rotor
 Mode of Operation: S1
 Protection Class: IP54
 Insulation Class: B/F
 Bearings: Maintenance-free ball bearings
 Blades Material: Cold rolled sheet steel
 Blades count: 5
 Air direction: seen on the leads

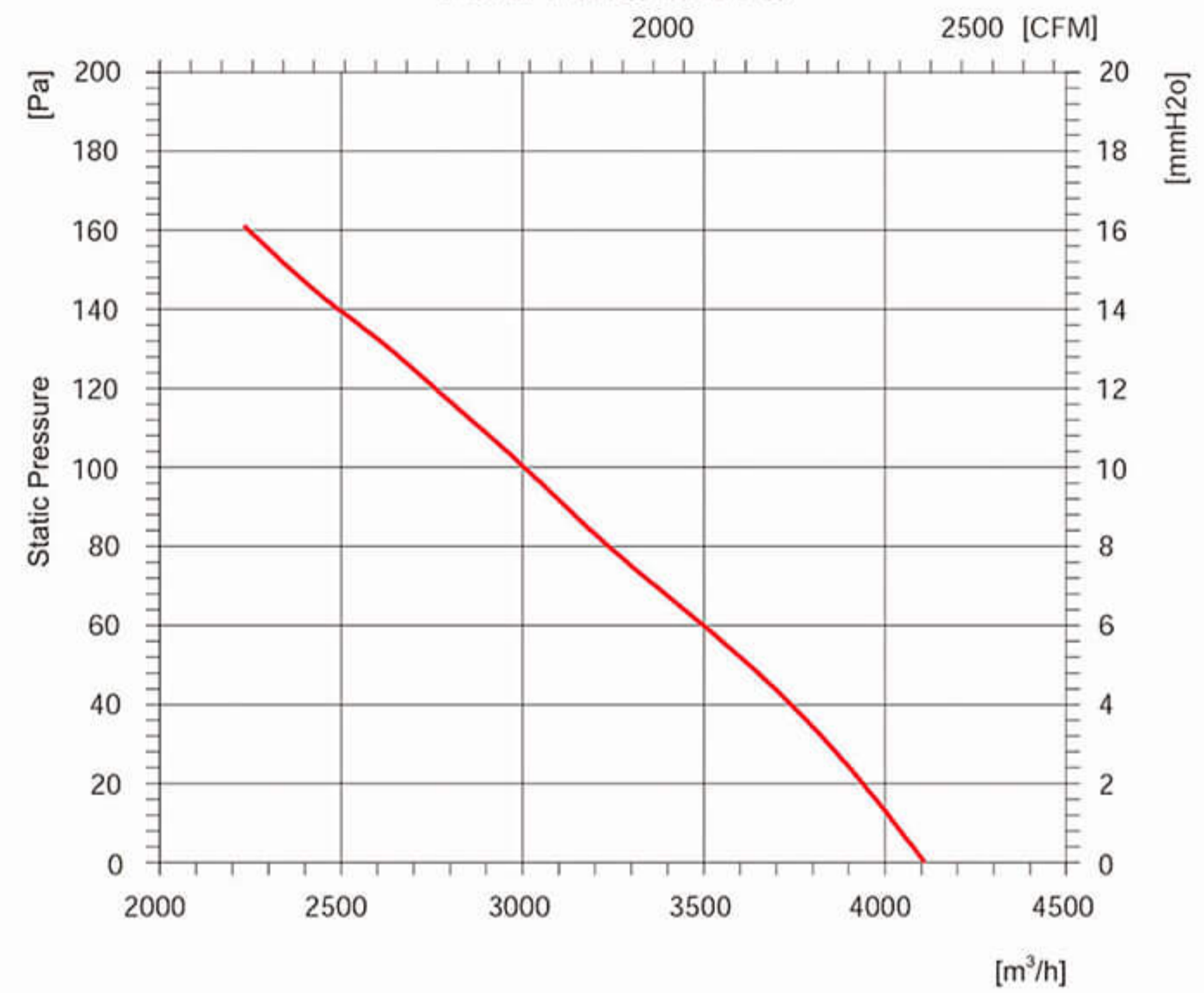


Model	Voltage (V)	Frequency (Hz)	Input Power (W)	Current (A)	Air Volume (m³/h)	Speed (r/min)	Capacitor (µF)	Noise [dB(A)]	Max Environmental Temperature(°C)	Weight (Kg)
BMF-4E350-ZX01	230	50/60	138/190	0.68/0.82	2700/3000	1380/1590	4	62/67	65	4.7
BMF-4D350-ZX10	380	50/60	145/185	0.30/0.33	2700/3000	1390/1580	-	63/67	65	4.7

AC Axial Fans $\Phi 350$

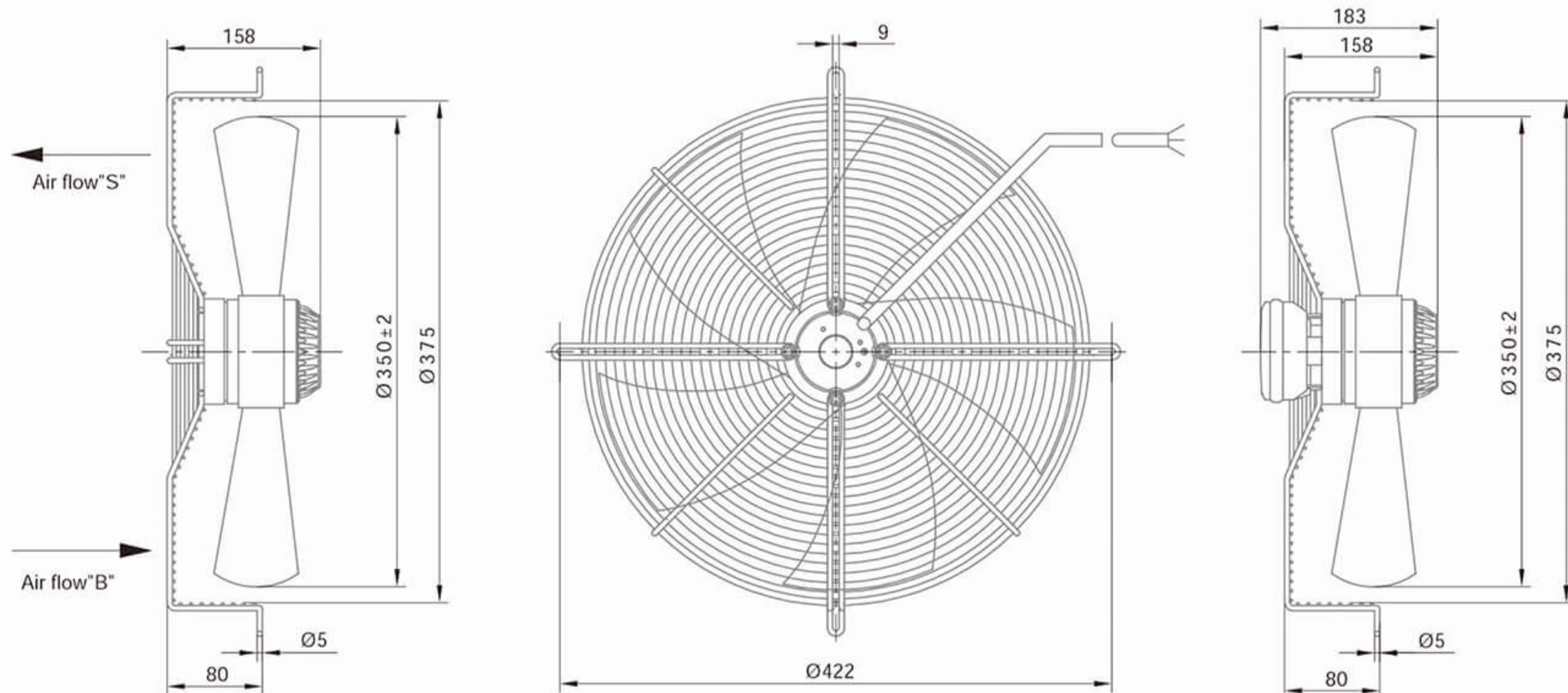


Flow Rate Curve



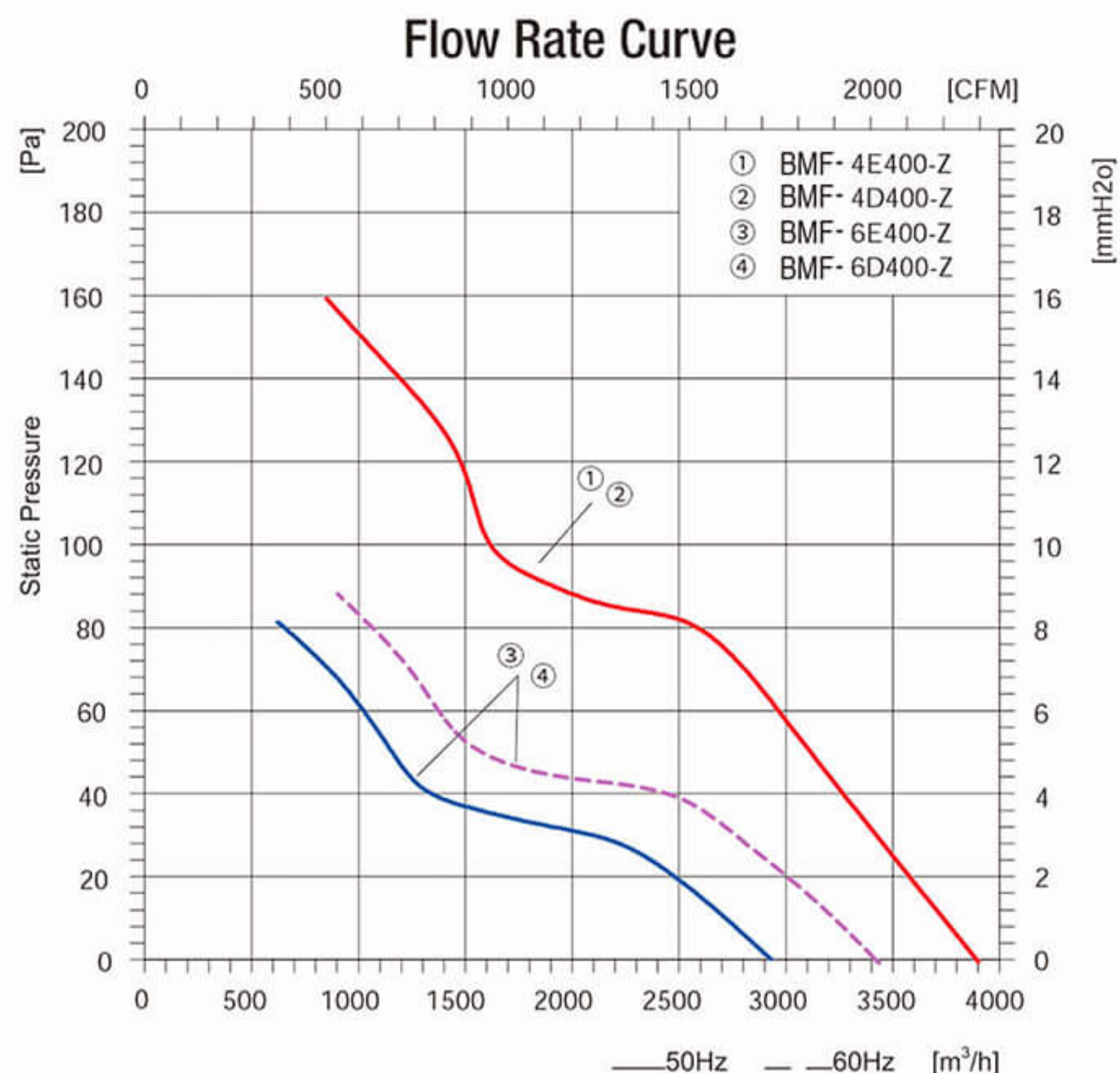
Product Characteristic

Motor technology: AC Outer rotor
 Mode of Operation: S1
 Protection Class: IP54
 Insulation Class: B/F
 Bearings: Maintenance-free ball bearings
 Blades Material: Cold rolled sheet steel
 Blades count: 5
 Air direction: seen on the leads



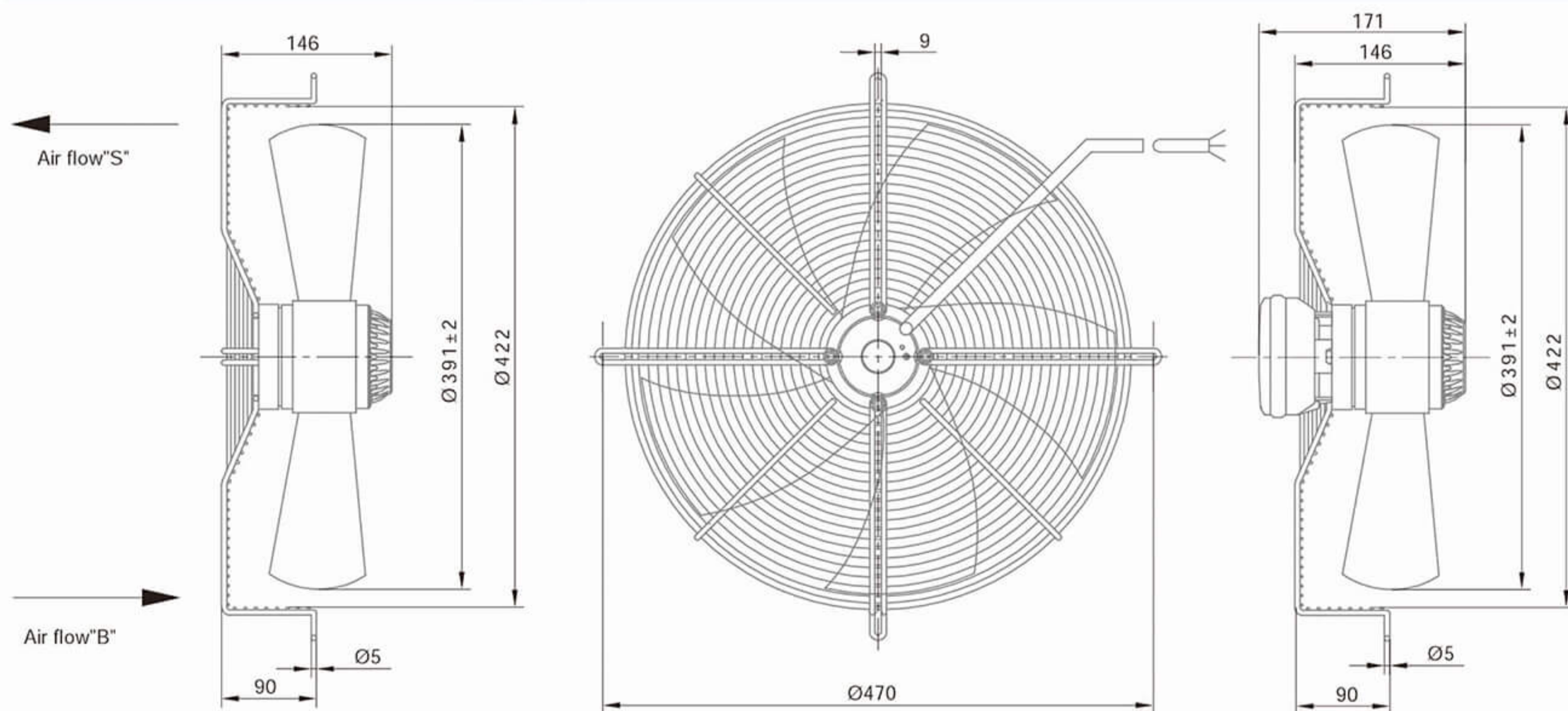
Model	Voltage (V)	Frequency (Hz)	Input Power (W)	Current (A)	Air Volume (m³/h)	Speed (r/min)	Capacitor (µF)	Noise [dB(A)]	Max Environmental Temperature(°C)	Weight (Kg)
BMF- 4D350-ZX30-S5A	460	60	395	0.65	4100	1660	-	74	70	6.5

AC Axial Fans $\Phi 400$



Product Characteristic

Motor technology: AC Outer rotor
 Mode of Operation: S1
 Protection Class: IP54
 Insulation Class: B/F
 Bearings: Maintenance-free ball bearings
 Blades Material: Cold rolled sheet steel
 Blades count: 5
 Air direction: seen on the leads

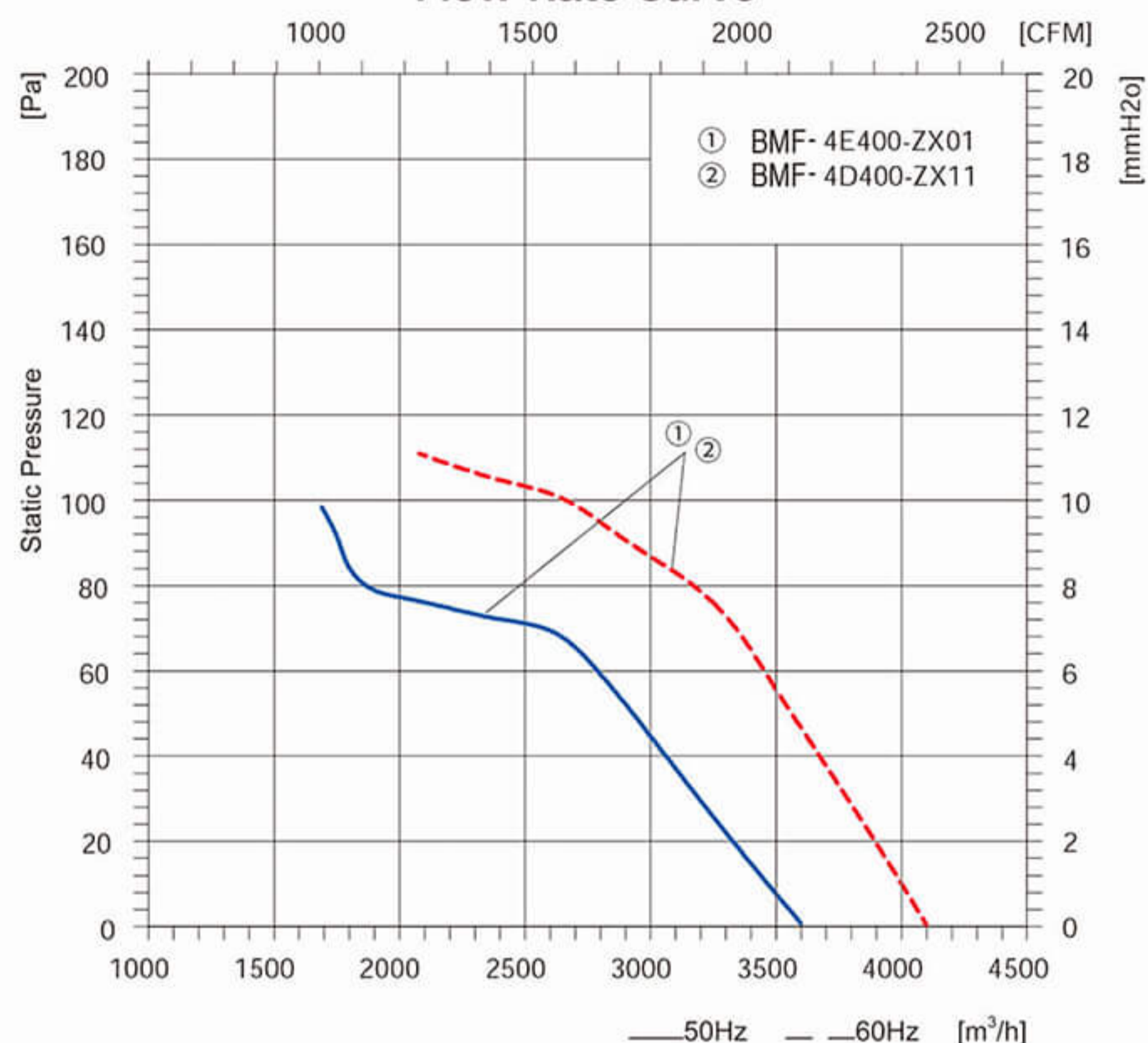


Model	Voltage (V)	Frequency (Hz)	Input Power (W)	Current (A)	Air Volume (m³/h)	Speed (r/min)	Capacitor (µF)	Noise [dB(A)]	Max Environmental Temperature(°C)	Weight (Kg)
BMF- 4E400-Z	230	50	180	0.81	3900	1350	6	67	65	6.1
BMF- 4D400-Z	380	50	190	0.48	3900	1380	-	67	65	6.1
BMF- 6E400-Z	230	50/60	115/150	0.67/0.75	2900/3100	940/1080	3	58/61	60	6.1
BMF- 6D400-Z	380	50/60	115/150	0.36/0.31	2900/3100	900/1000	-	60/61	60	6.1

AC Axial Fans $\Phi 400$

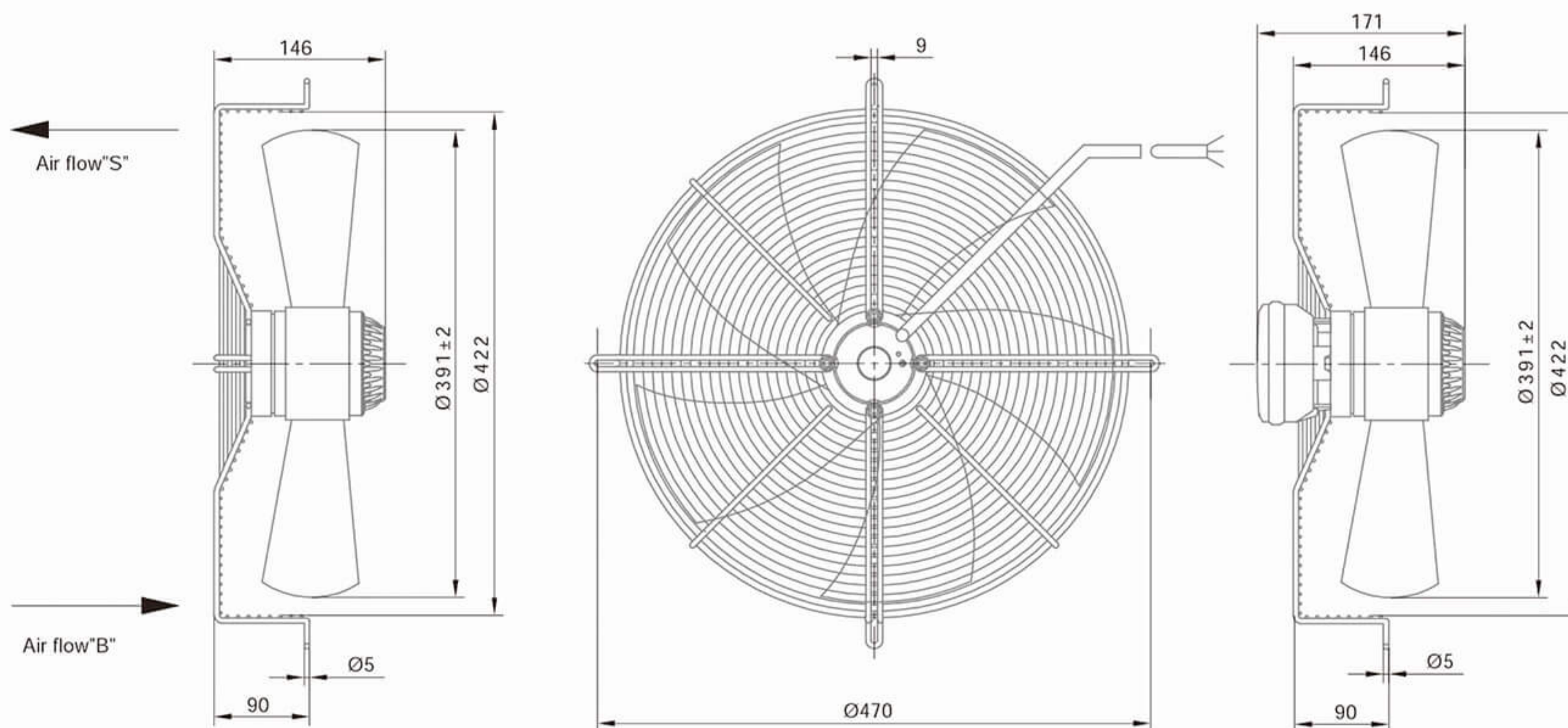


Flow Rate Curve



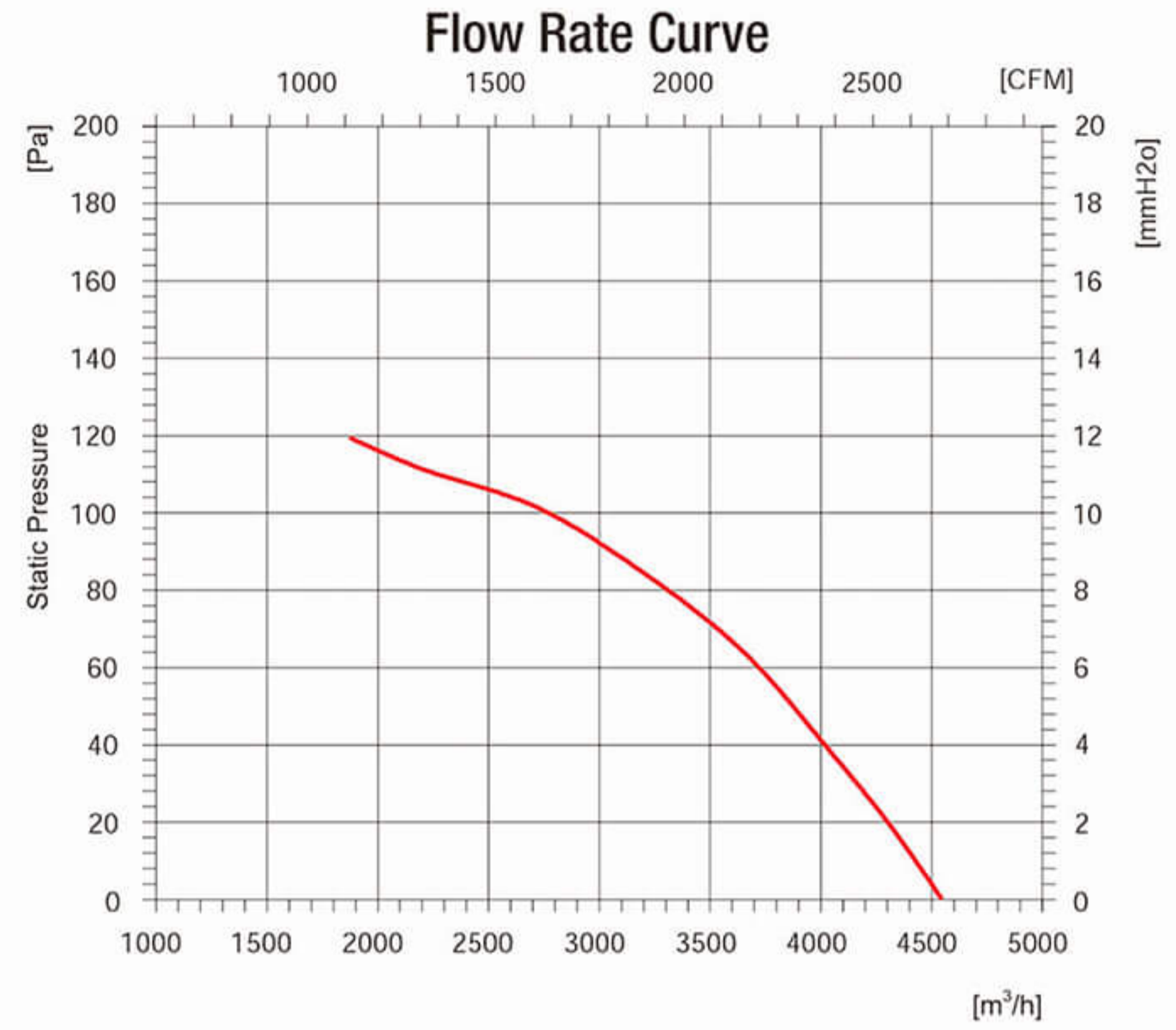
Product Characteristic

Motor technology: AC Outer rotor
 Mode of Operation: S1
 Protection Class: IP54
 Insulation Class: B/F
 Bearings: Maintenance-free ball bearings
 Blades Material: Cold rolled sheet steel
 Blades count: 5
 Air direction: seen on the leads



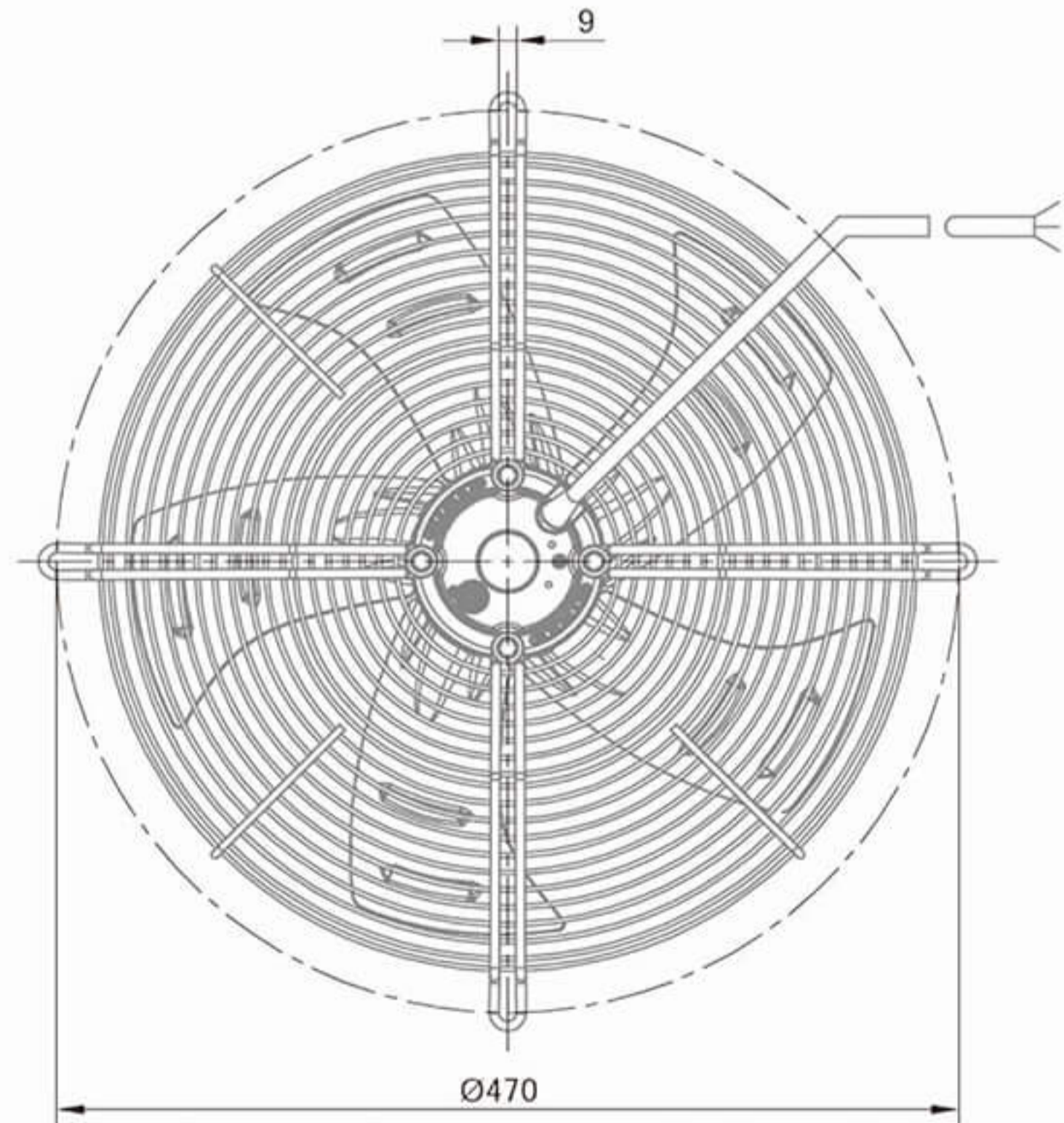
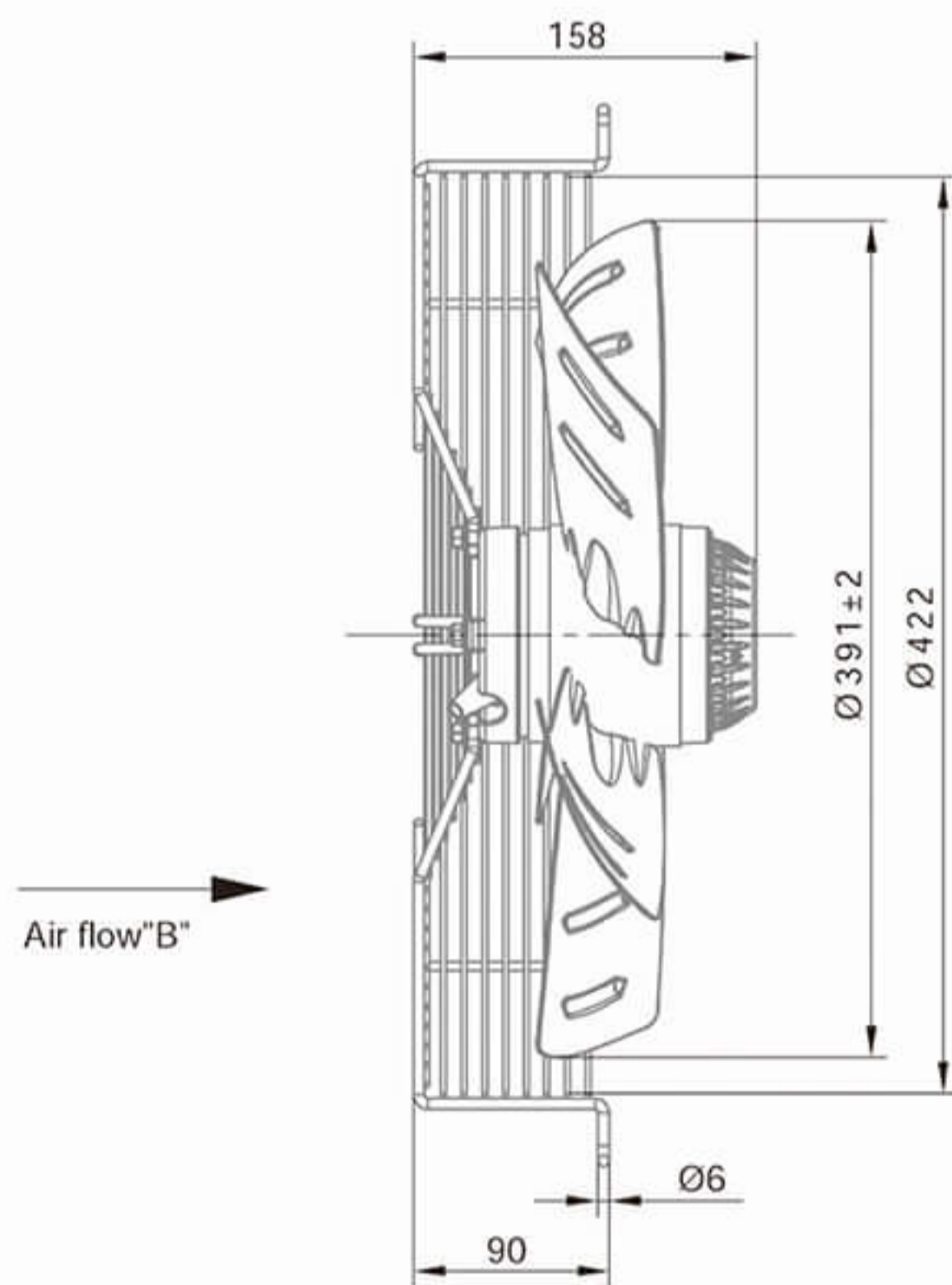
Model	Voltage (V)	Frequency (Hz)	Input Power (W)	Current (A)	Air Volume (m³/h)	Speed (r/min)	Capacitor (μ F)	Noise [dB(A)]	Max Environmental Temperature(°C)	Weight (Kg)
BMF- 4E400-ZX01	230	50/60	180/260	0.81/1.15	3650/4150	1390/1590	6	67/72	65	6.1
BMF- 4D400-ZX11	380	50/60	190/260	0.46/0.48	3650/4150	1390/1590	-	67/72	65	6.1

AC Axial Fans $\Phi 400$



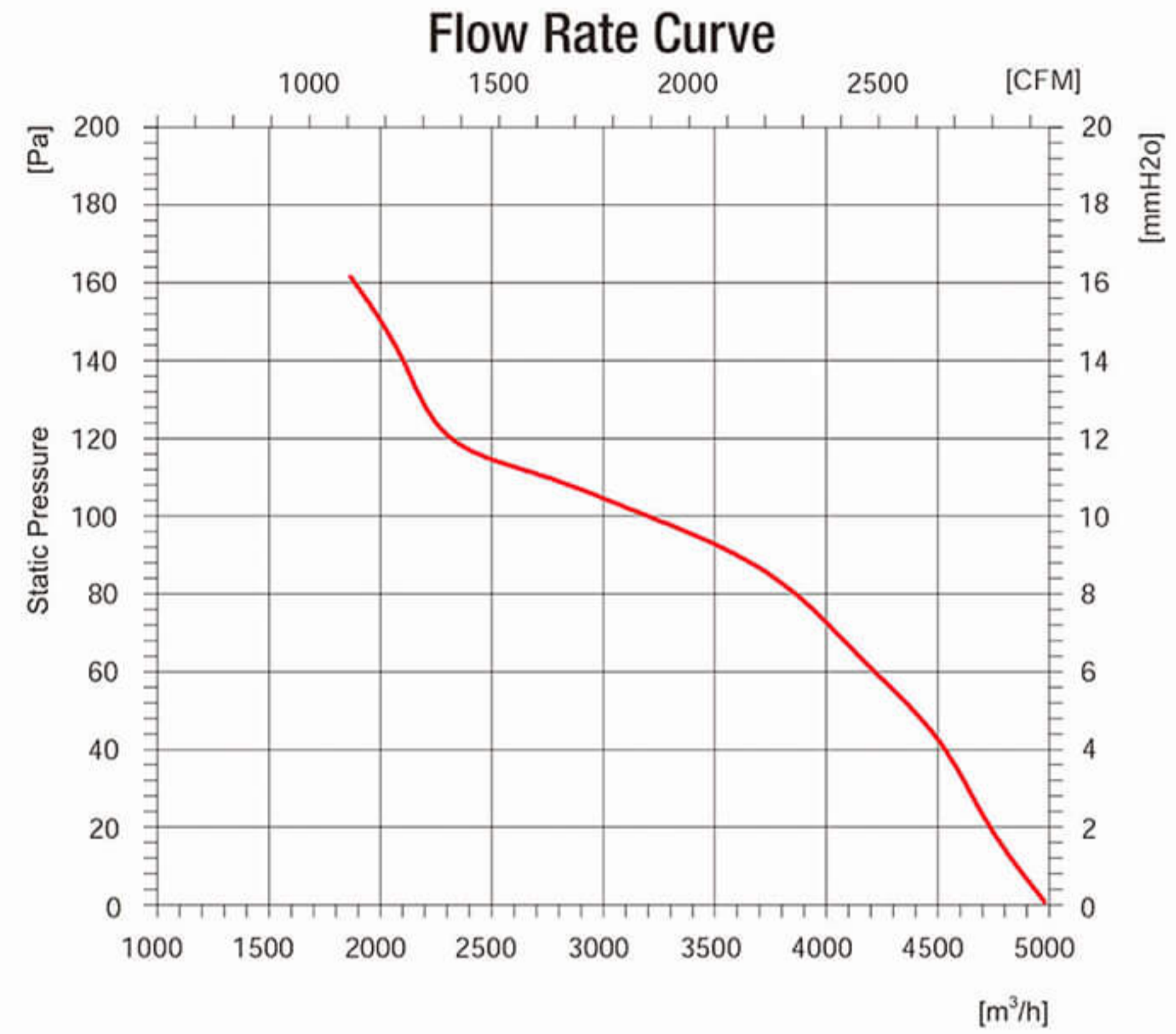
Product Characteristic

Motor technology:	AC Outer rotor
Mode of Operation:	S1
Protection Class:	IP54
Insulation Class:	B/F
Bearings:	Maintenance-free ball bearings
Blades Material:	Cold rolled sheet steel
Blades count:	5
Air direction:	seen on the leads



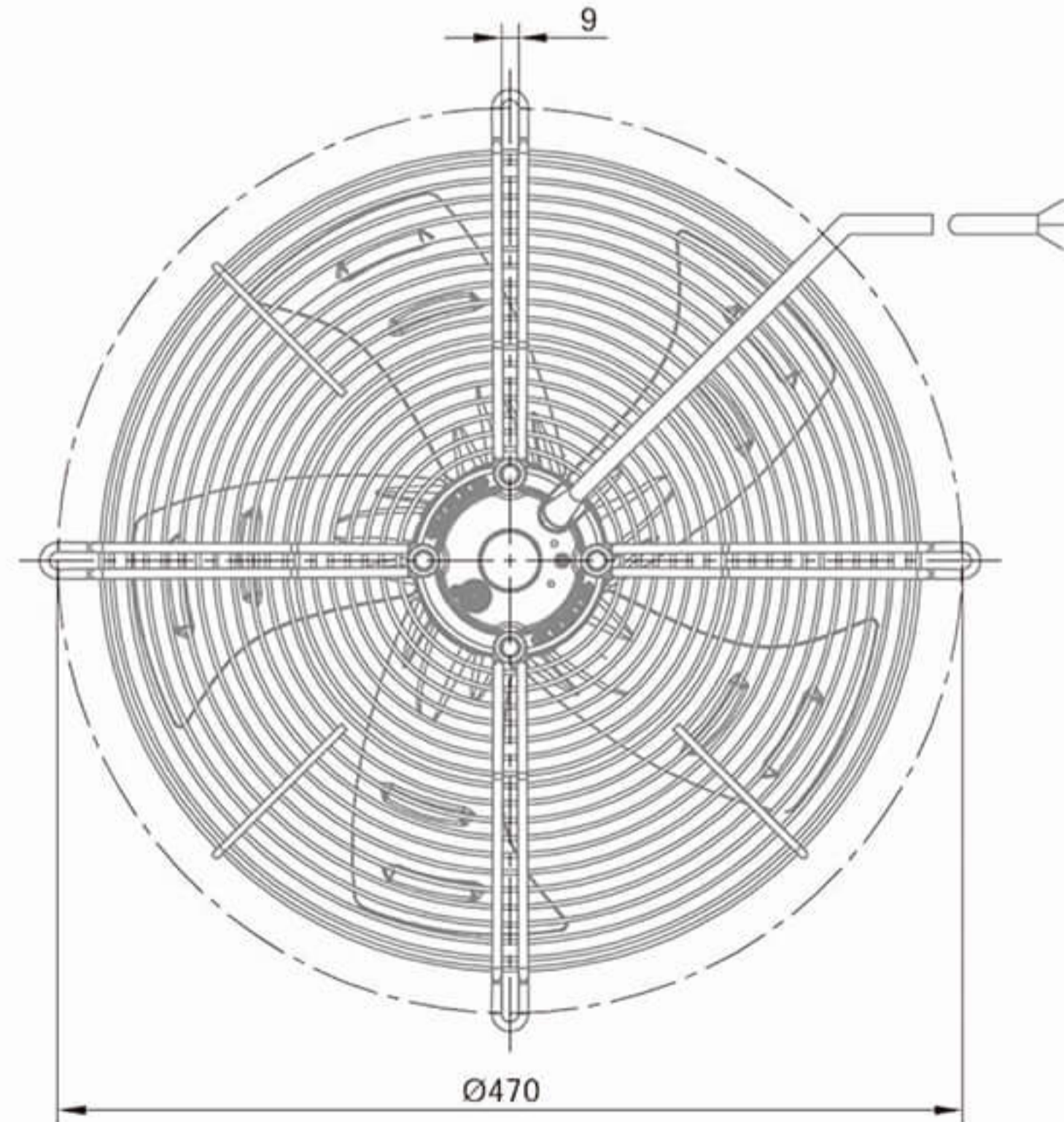
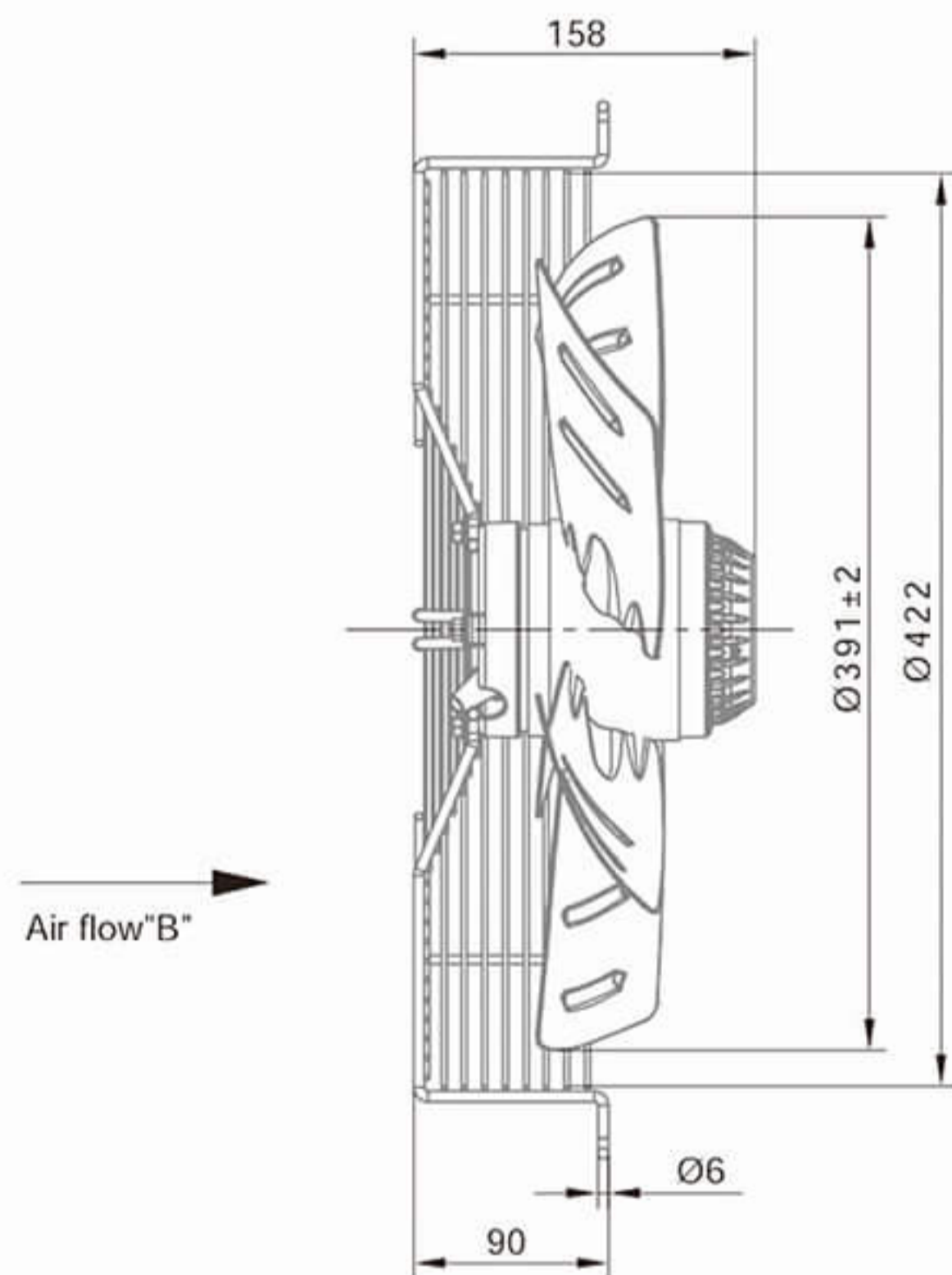
Model	Voltage (V)	Frequency (Hz)	Input Power (W)	Current (A)	Air Volume (m³/h)	Speed (r/min)	Capacitor (µF)	Noise [dB(A)]	Max Environmental Temperature(°C)	Weight (Kg)
BMF-4D400-ZX32-B5A	400	50	270	0.55	4500	1380	-	68	70	6.9

AC Axial Fans $\Phi 400$



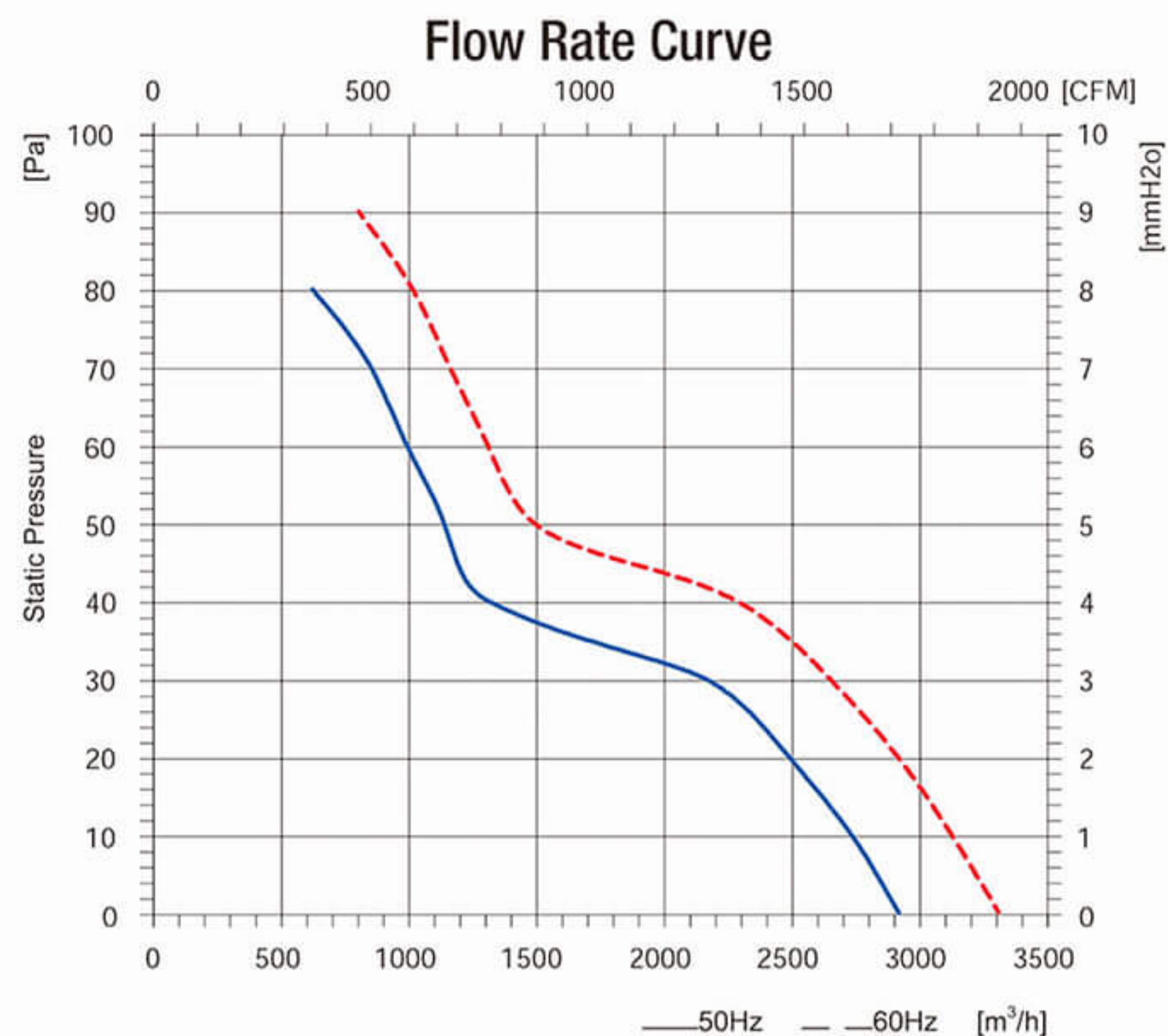
Product Characteristic

Motor technology: AC Outer rotor
 Mode of Operation: S1
 Protection Class: IP54
 Insulation Class: B/F
 Bearings: Maintenance-free ball bearings
 Blades Material: Cold rolled sheet steel
 Blades count: 5
 Air direction: seen on the leads



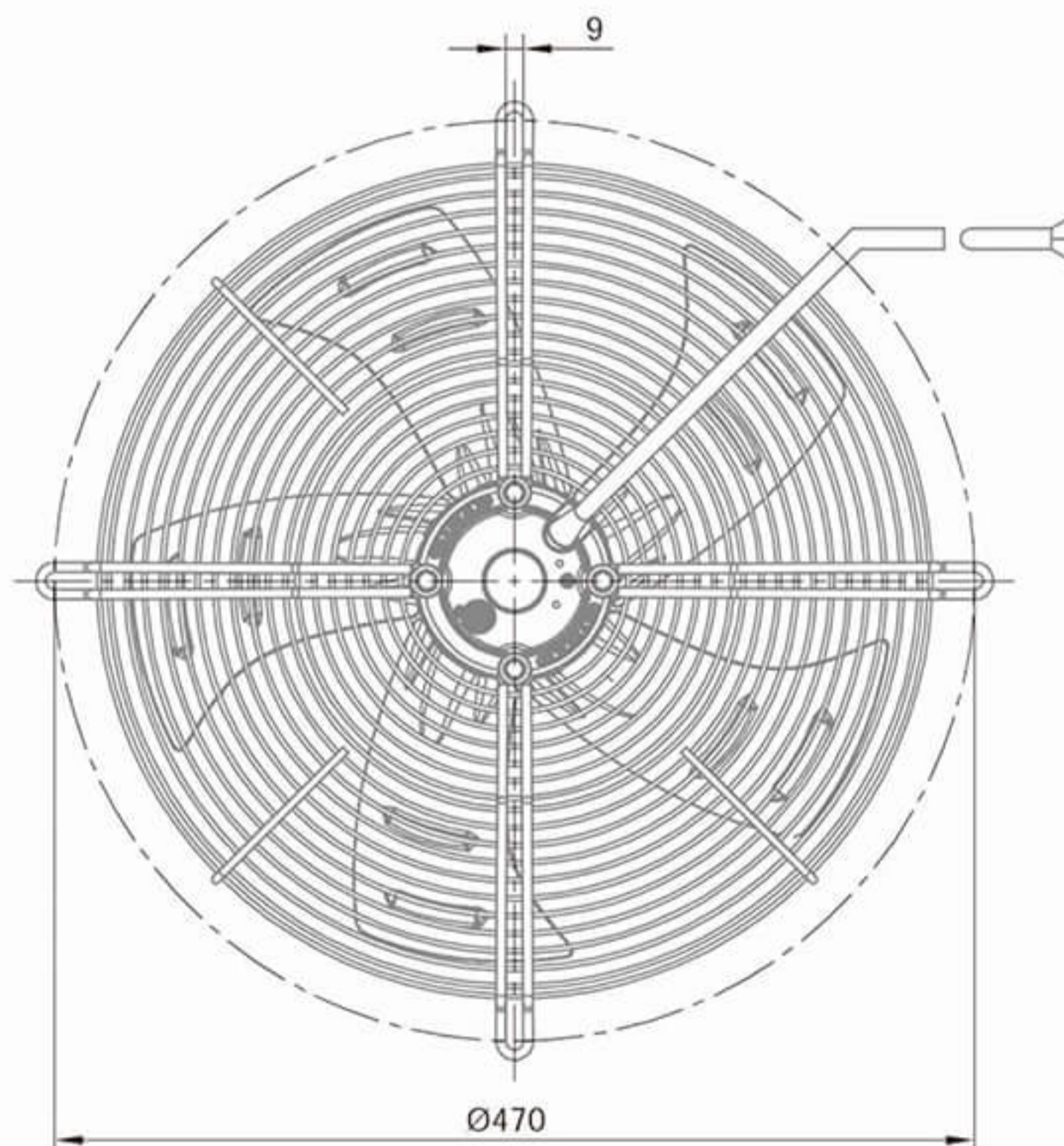
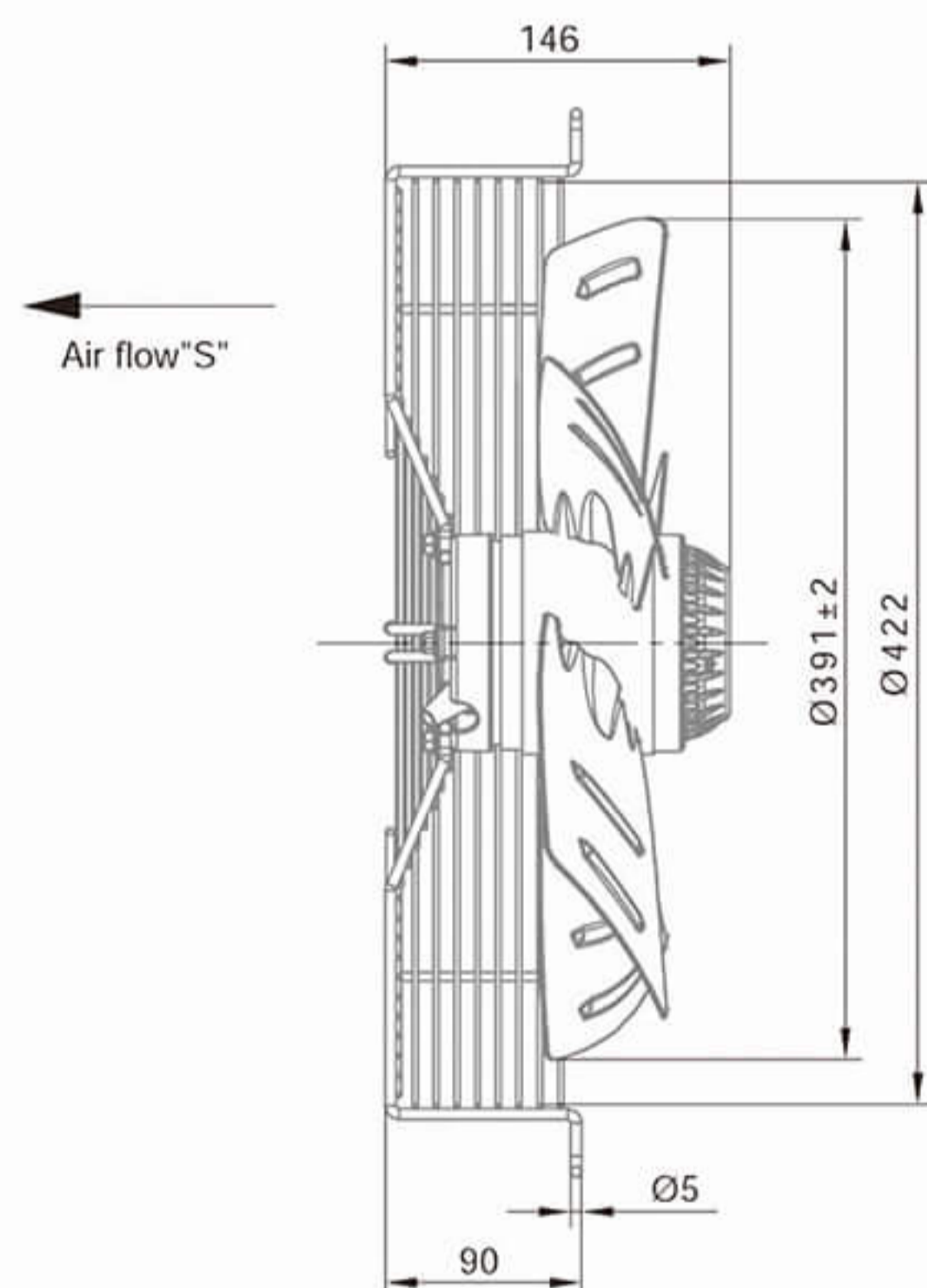
Model	Voltage (V)	Frequency (Hz)	Input Power (W)	Current (A)	Air Volume (m³/h)	Speed (r/min)	Capacitor (µF)	Noise [dB(A)]	Max Environmental Temperature(°C)	Weight (Kg)
BMF-4T400-ZX13-B5A	220/380 Δ/Y	60	400	1.23/0.71	4950	1550	-	69	50	6.9

AC Axial Fans $\Phi 400$



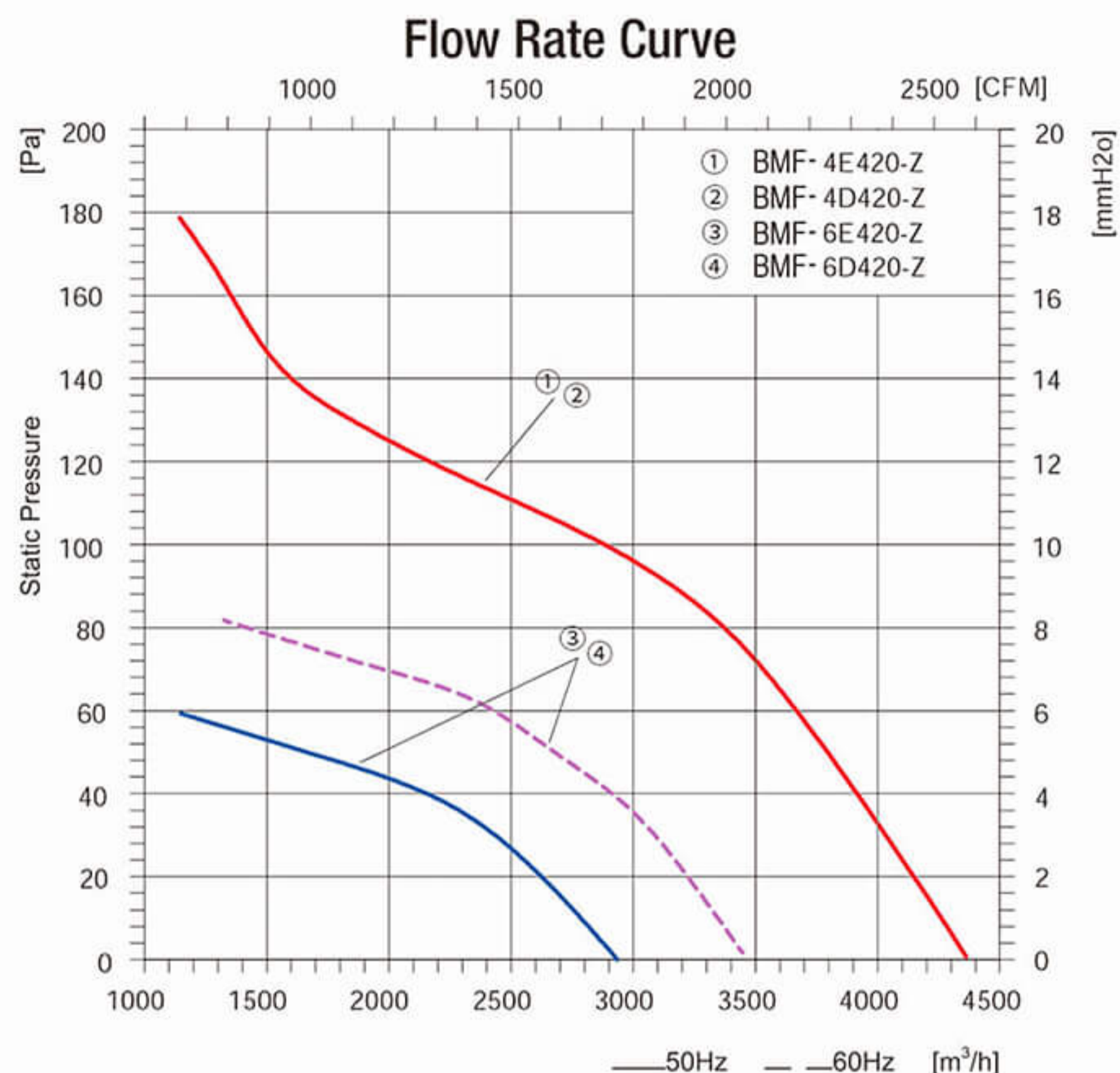
Product Characteristic

Motor technology: AC Outer rotor
 Mode of Operation: S1
 Protection Class: IP54
 Insulation Class: B/F
 Bearings: Maintenance-free ball bearings
 Blades Material: Cold rolled sheet steel
 Blades count: 5
 Air direction: seen on the leads



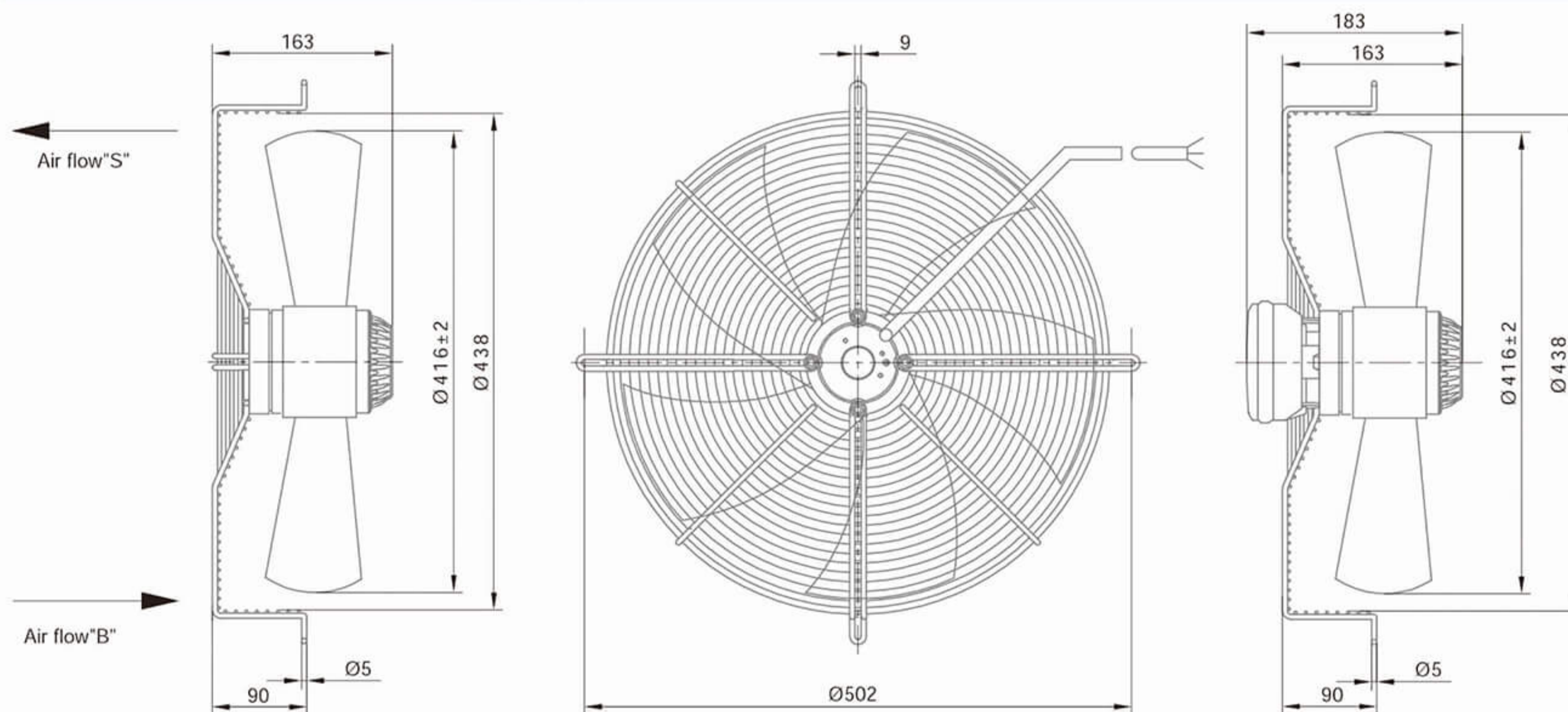
Model	Voltage (V)	Frequency (Hz)	Input Power (W)	Current (A)	Air Volume (m³/h)	Speed (r/min)	Capacitor (µF)	Noise [dB(A)]	Max Environmental Temperature(°C)	Weight (Kg)
BMF-6T400-ZX01-S5A	220/380 Δ/Y	50/60	115/150	0.62/0.54 0.36/0.31	2900/3100	900/1000	-	60/61	60	6.1

AC Axial Fans $\Phi 420$



Product Characteristic

Motor technology: AC Outer rotor
 Mode of Operation: S1
 Protection Class: IP54
 Insulation Class: B/F
 Bearings: Maintenance-free ball bearings
 Blades Material: Cold rolled sheet steel
 Blades count: 5
 Air direction: seen on the leads

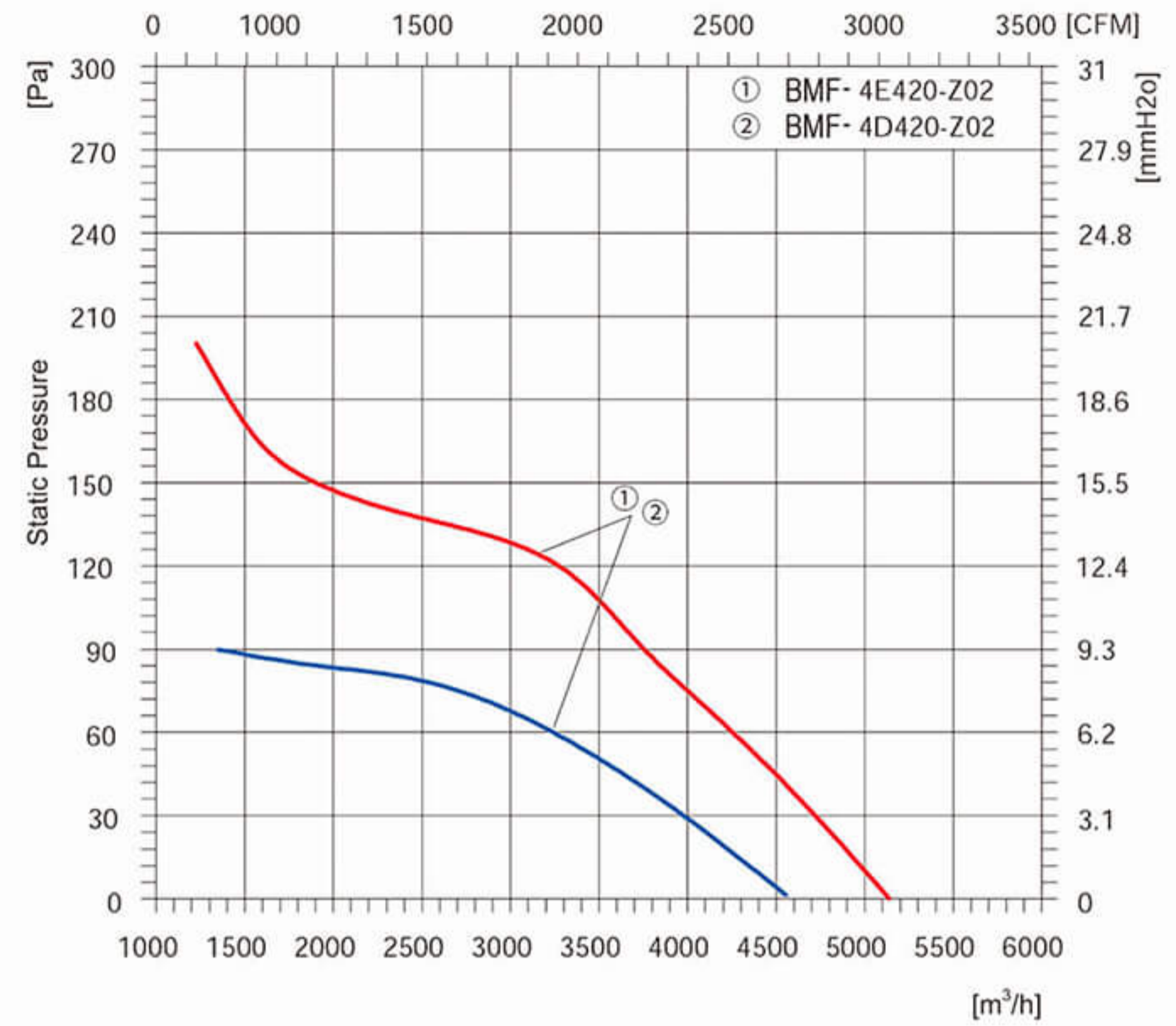


Model	Voltage (V)	Frequency (Hz)	Input Power (W)	Current (A)	Air Volume (m ³ /h)	Speed (r/min)	Capacitor (μ F)	Noise [dB(A)]	Max Environmental Temperature(°C)	Weight (Kg)
BMF- 4E420-Z	230	50	250	1.15	4200	1380	8	68	55	6.7
BMF- 4D420-Z	380	50	250	0.58	4200	1350	-	68	55	6.7
BMF- 6E420-Z	230	50/60	150/185	0.68/0.82	3100/3500	900/1000	4	60/63	55	6.7
BMF- 6D420-Z	380	50/60	150/180	0.48/0.46	3100/3500	930/1050	-	61/64	55	6.7

AC Axial Fans $\Phi 420$

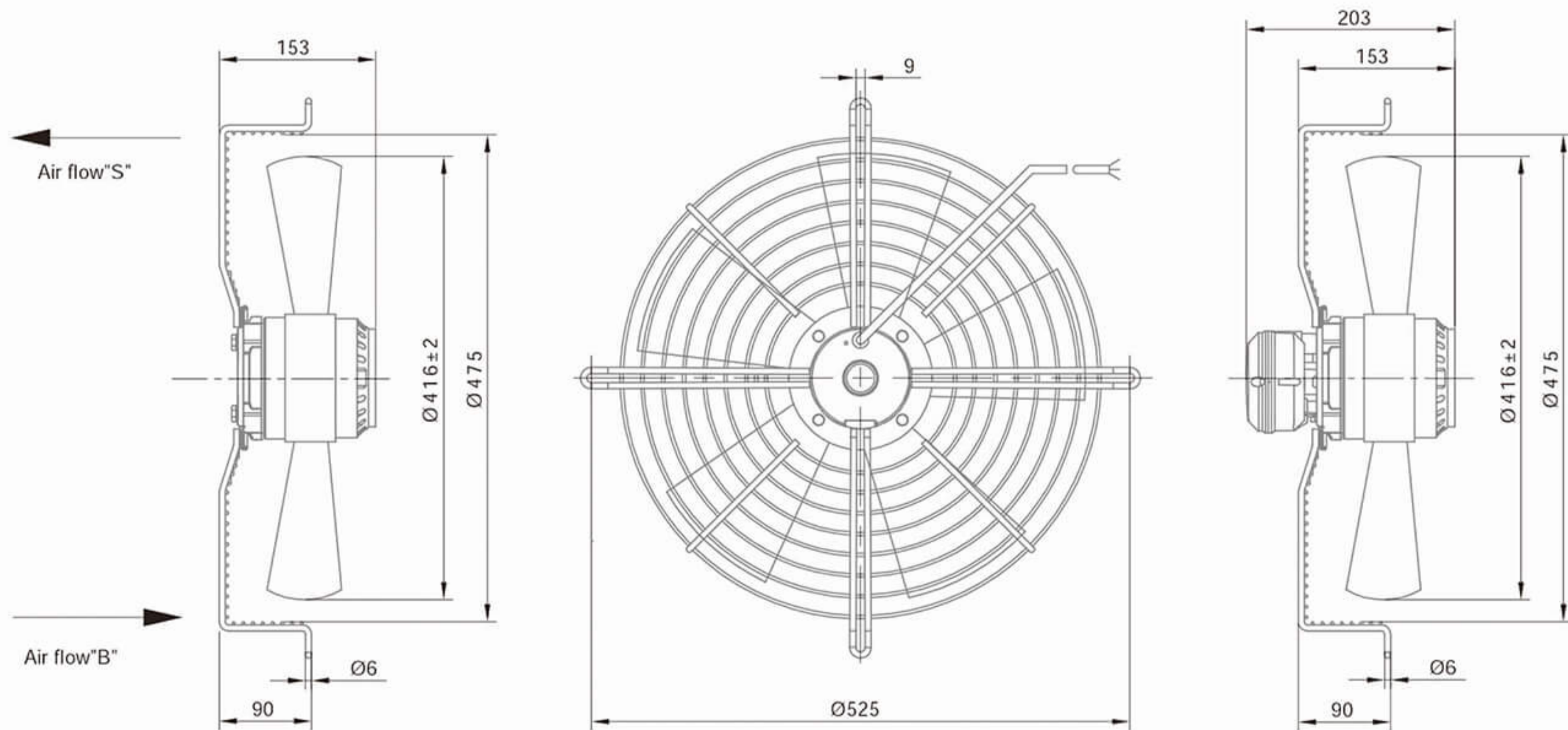


Flow Rate Curve



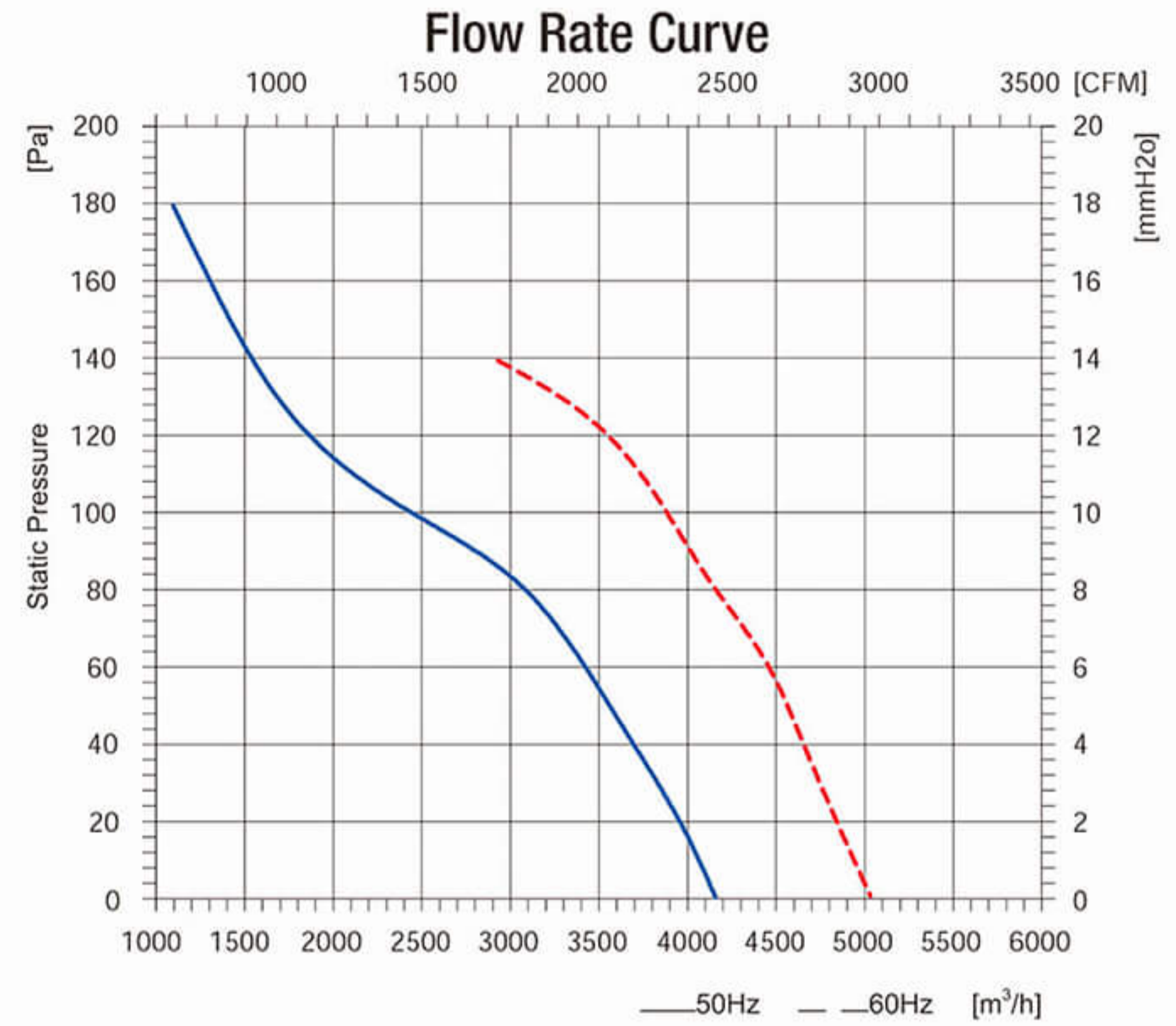
Product Characteristic

- Motor technology: AC Outer rotor
- Mode of Operation: S1
- Protection Class: IP54
- Insulation Class: B/F
- Bearings: Maintenance-free ball bearings
- Blades Material: Cold rolled sheet steel
- Blades count: 5
- Air direction: seen on the leads



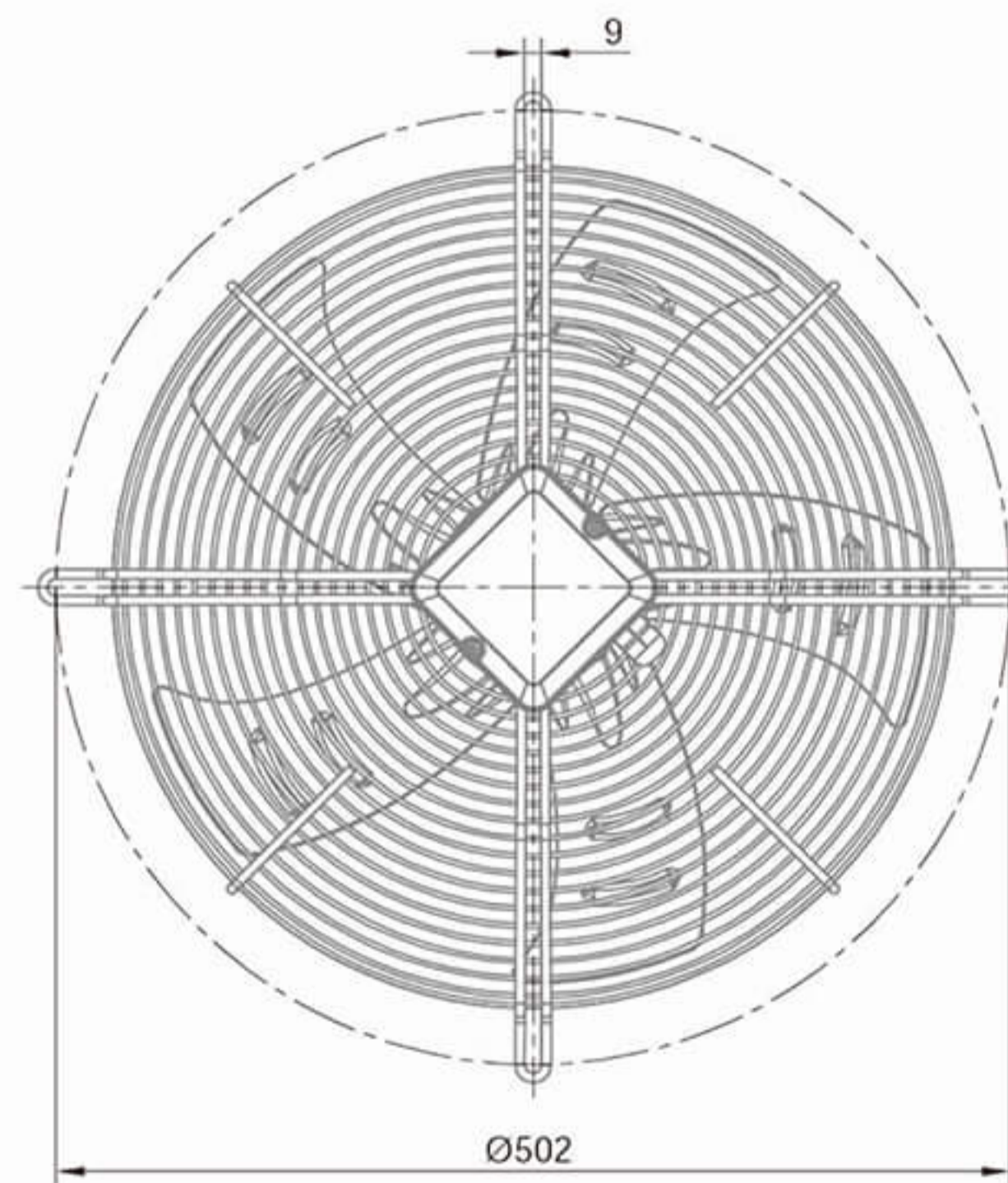
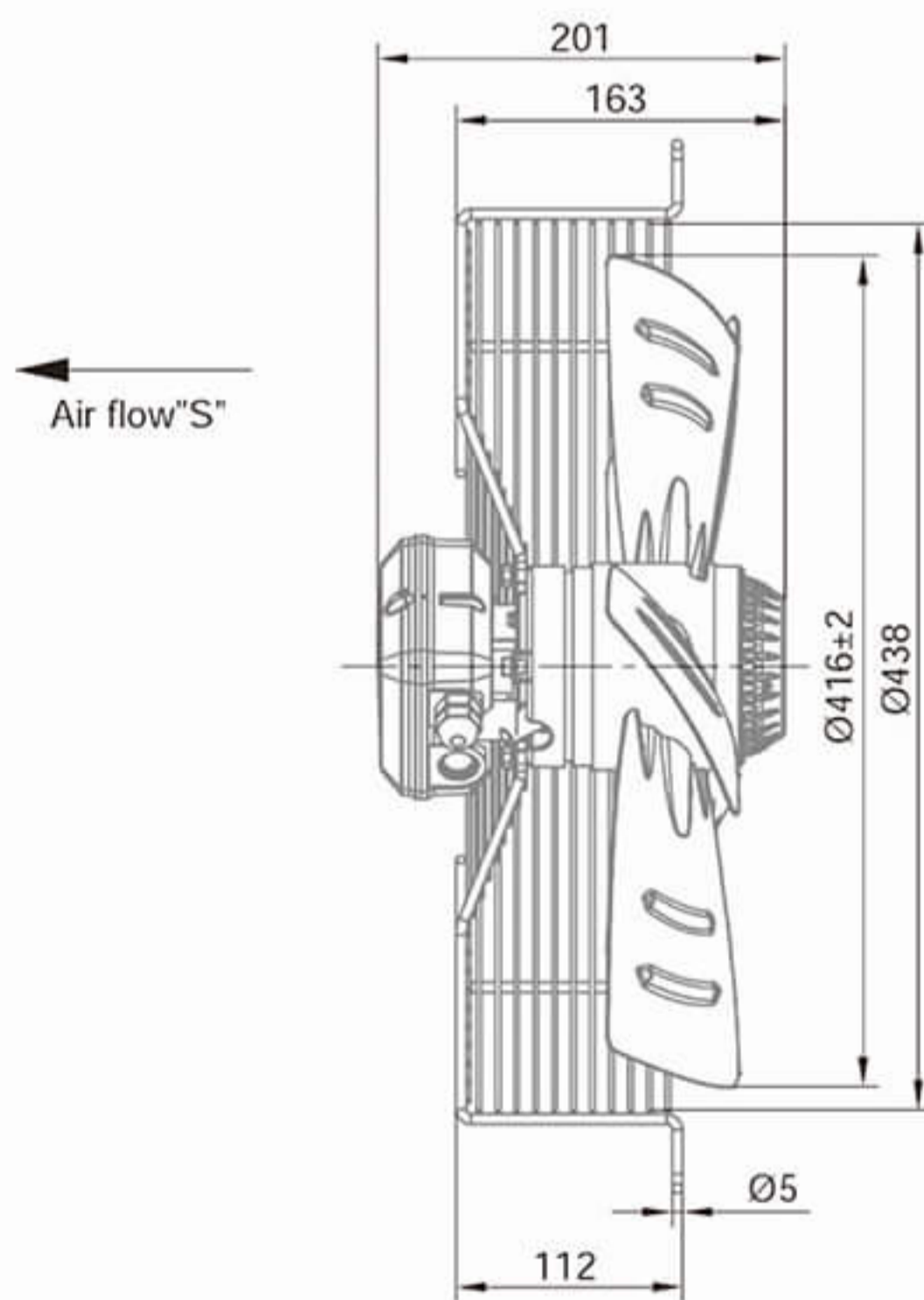
Model	Voltage (V)	Frequency (Hz)	Input Power (W)	Current (A)	Air Volume (m³/h)	Speed (r/min)	Capacitor (μ F)	Noise [dB(A)]	Max Environmental Temperature(°C)	Weight (Kg)
BMF-4E420-Z02	230	50	450/295	2.0/1.3	5500/4500	1380/1150	16	70/65	60	8.0
BMF-4D420-Z02	400 Δ/Y	50	430/260	0.75/0.41	5300/4500	1350/1150	-	70/65	60	8.0

AC Axial Fans $\Phi 420$



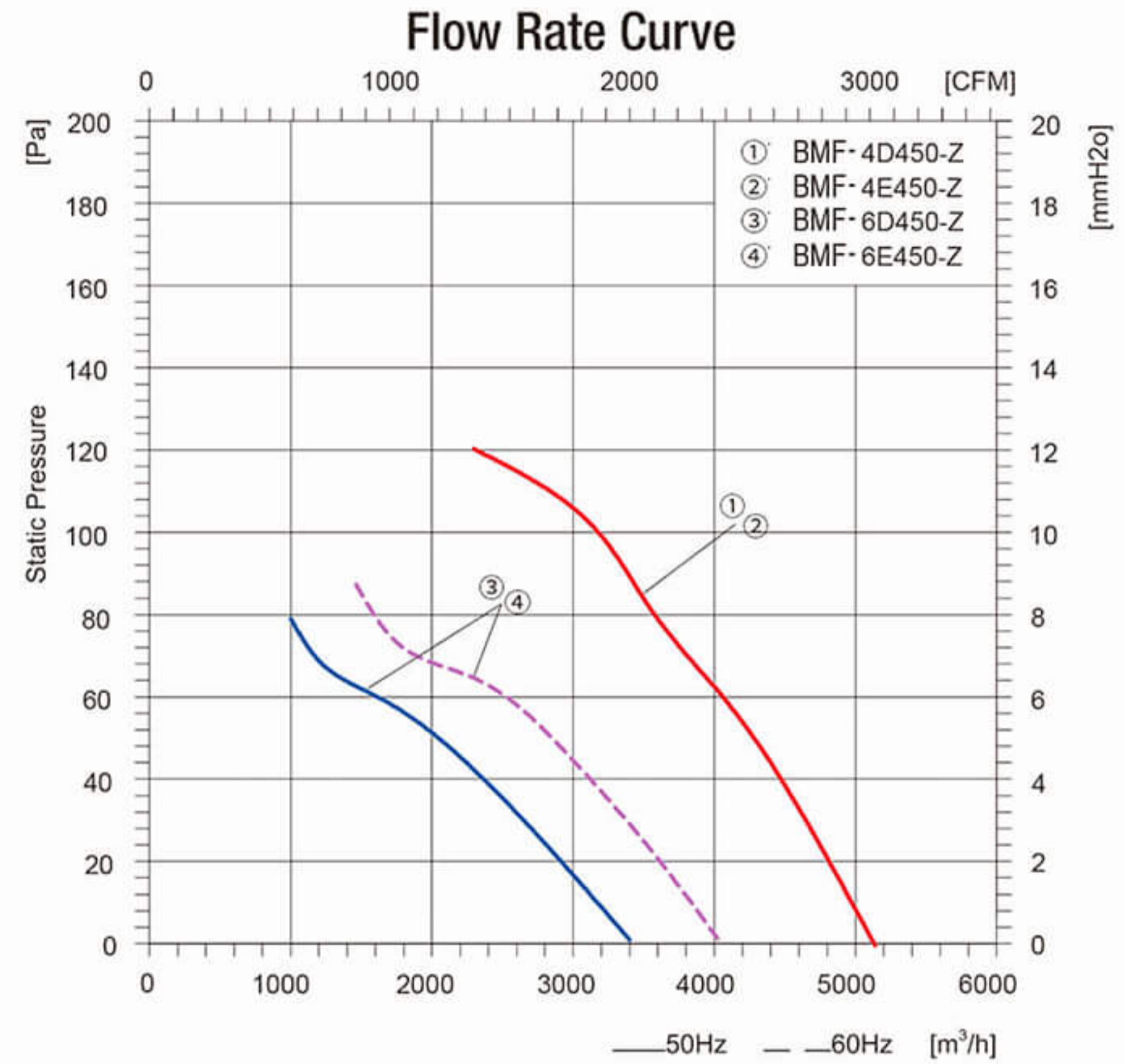
Product Characteristic

Motor technology:	AC Outer rotor
Mode of Operation:	S1
Protection Class:	IP54
Insulation Class:	B/F
Bearings:	Maintenance-free ball bearings
Blades Material:	Cold rolled sheet steel
Blades count:	5
Air direction:	seen on the leads



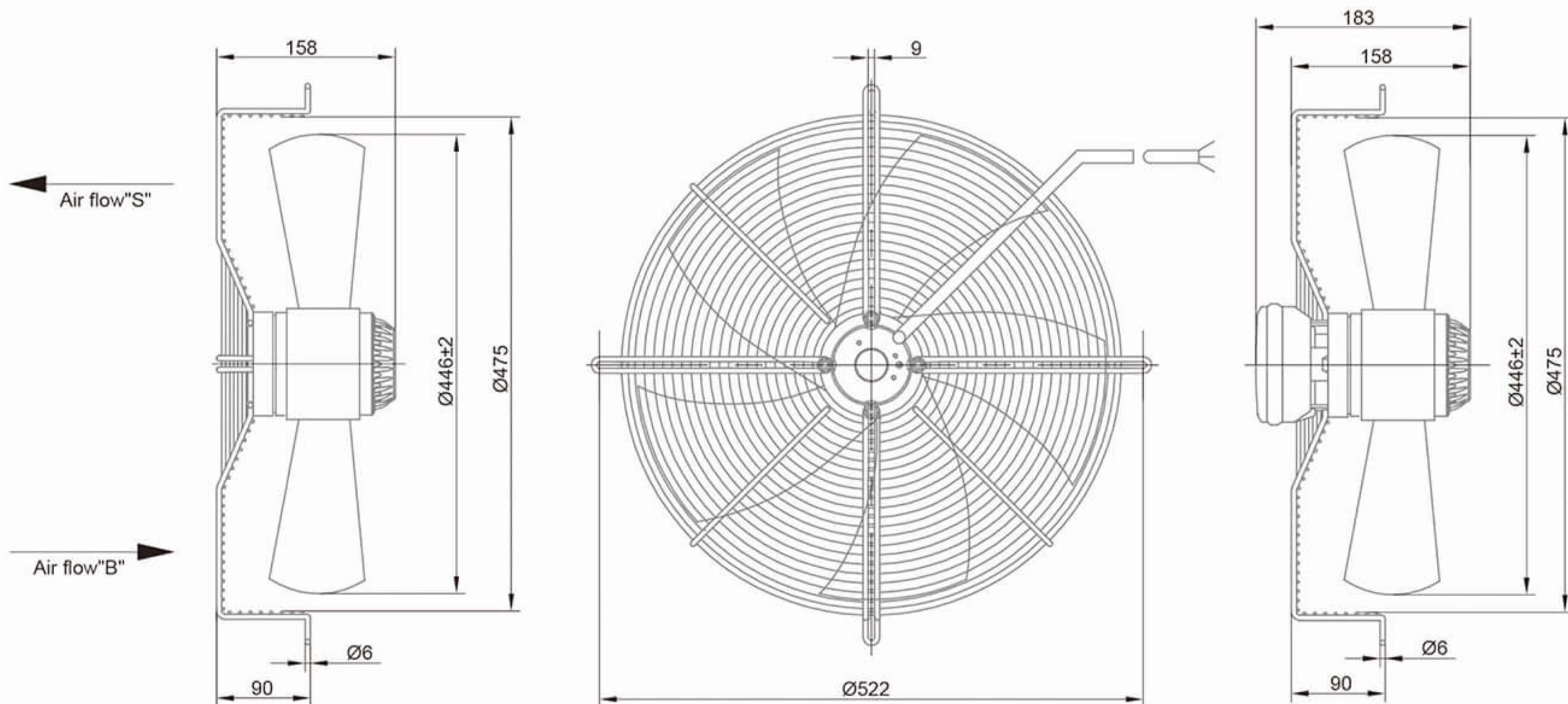
Model	Voltage (V)	Frequency (Hz)	Input Power (W)	Current (A)	Air Volume (m³/h)	Speed (r/min)	Capacitor (µF)	Noise [dB(A)]	Max Environmental Temperature(°C)	Weight (Kg)
BMF-4K420-ZX01-S5A	400/460	50/60	250/400	0.58/0.65	4200/5000	1350/1700	-	68/72	55	7.0

AC Axial Fans $\Phi 450$



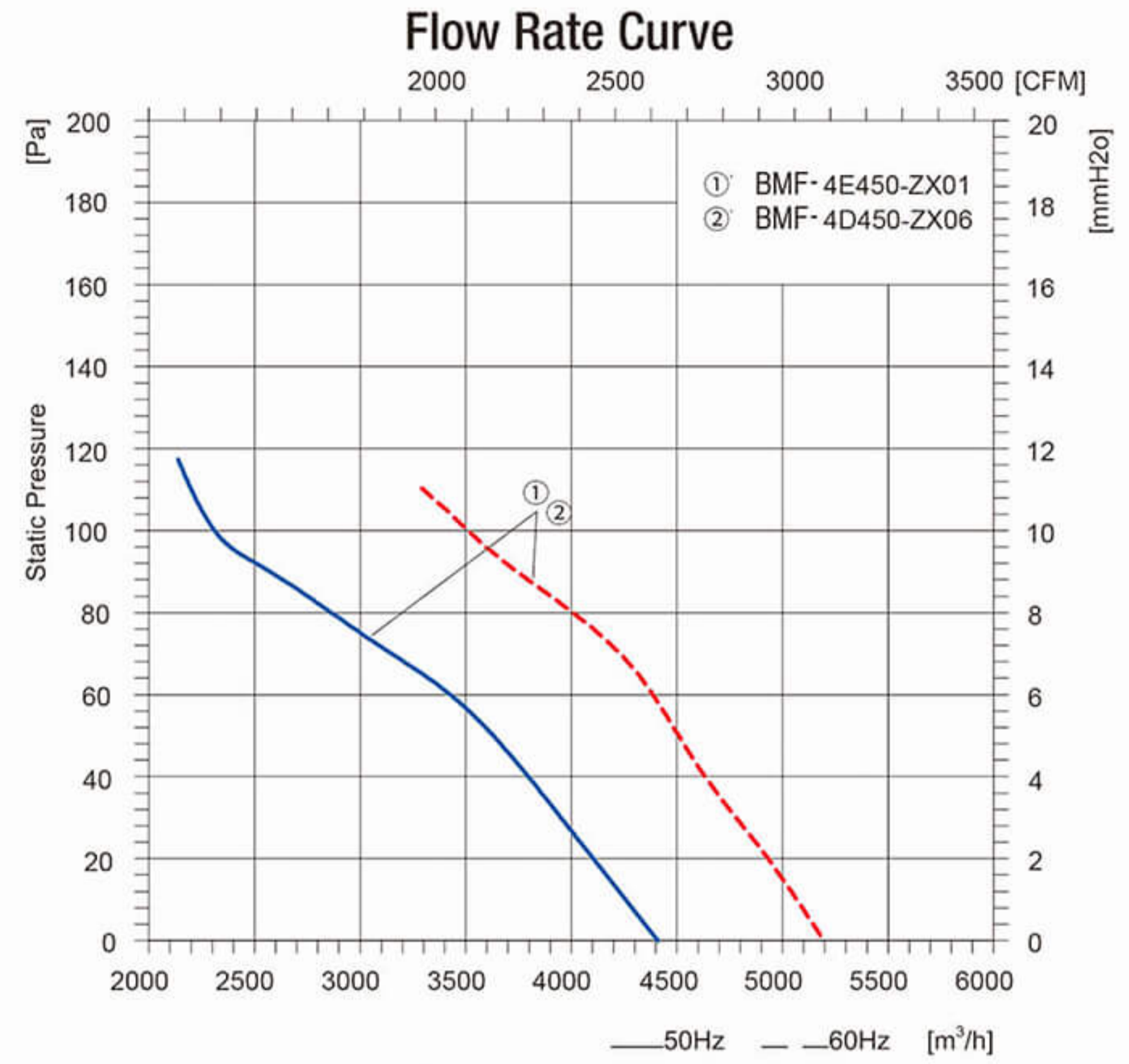
Product Characteristic

Motor technology: AC Outer rotor
 Mode of Operation: S1
 Protection Class: IP54
 Insulation Class: B/F
 Bearings: Maintenance-free ball bearings
 Blades Material: Cold rolled sheet steel
 Blades count: 5
 Air direction: seen on the leads



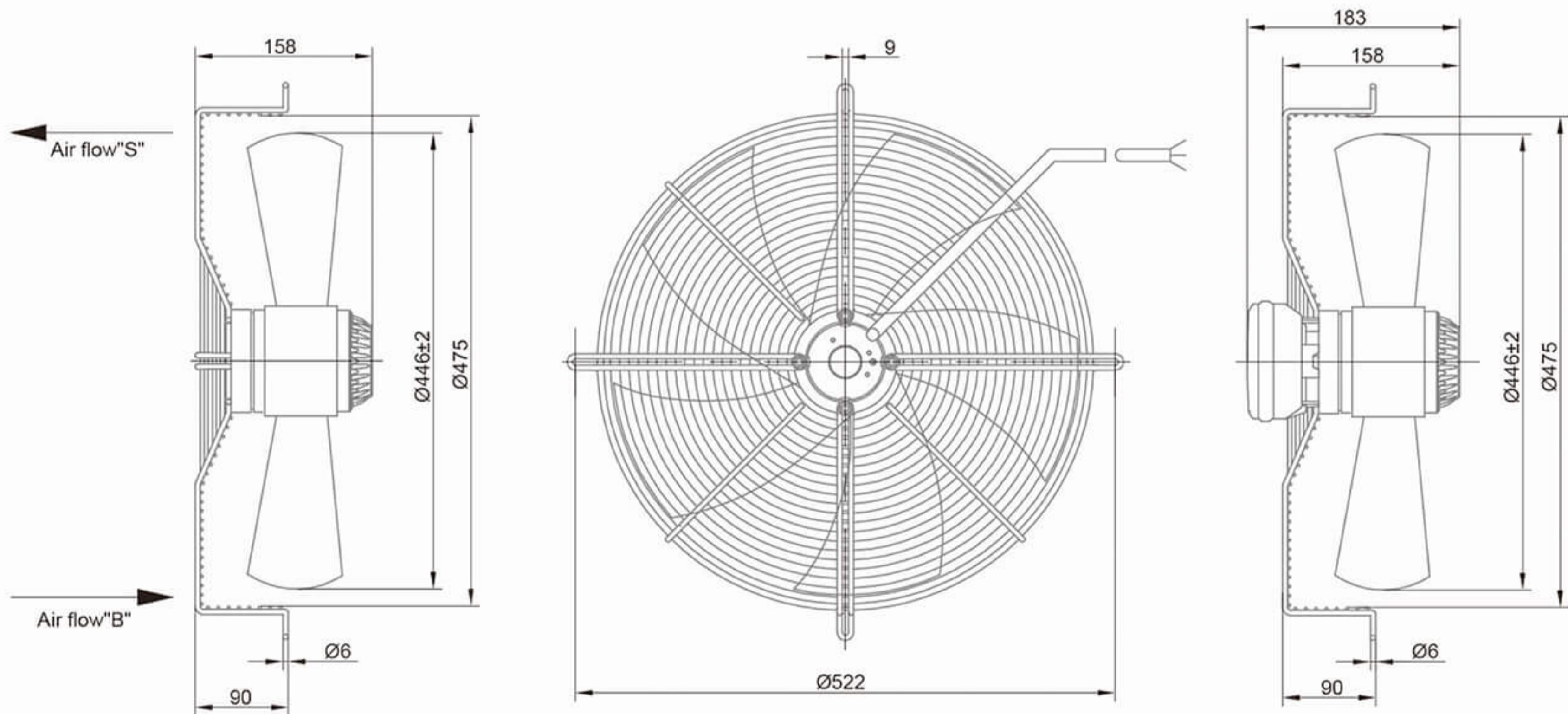
Model	Voltage (V)	Frequency (Hz)	Input Power (W)	Current (A)	Air Volume (m³/h)	Speed (r/min)	Capacitor (µF)	Noise [dB(A)]	Max Environmental Temperature(°C)	Weight (Kg)
BMF-4D450-Z	380	50	250	0.58	5000	1400	-	68	55	6.9
BMF-4E450-Z	230	50	250	1.15	5100	1380	8	71	55	6.9
BMF-6D450-Z	380	50/60	150/180	0.48/0.46	3450/3850	930/1050	-	62/65	55	6.9
BMF-6E450-Z	230	50/60	150/185	0.68/0.82	3450/3850	900/1050	4	60/65	55	6.9

AC Axial Fans Φ 450



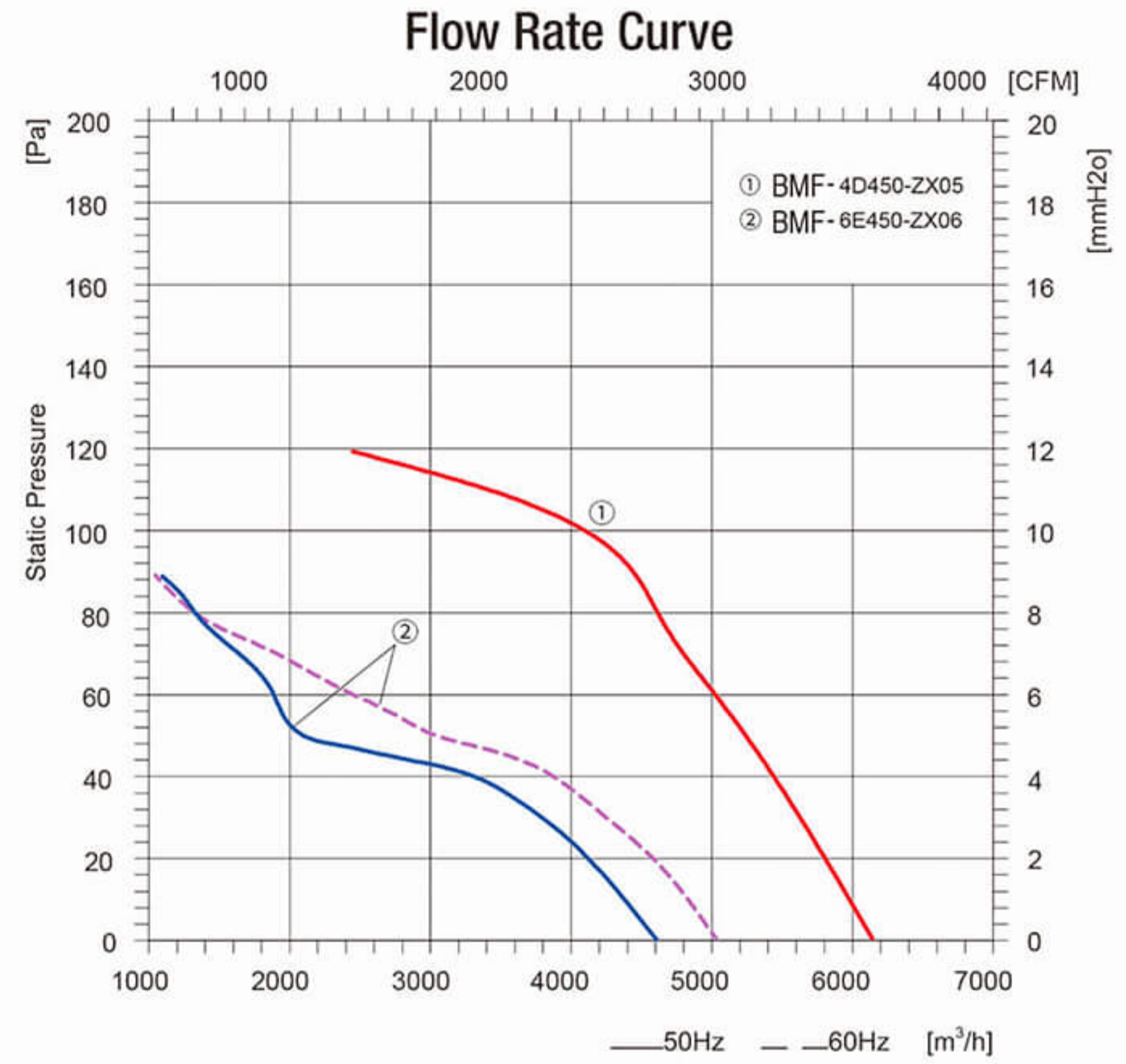
Product Characteristic

- Motor technology: AC Outer rotor
- Mode of Operation: S1
- Protection Class: IP54
- Insulation Class: B/F
- Bearings: Maintenance-free ball bearings
- Blades Material: Cold rolled sheet steel
- Blades count: 5
- Air direction: seen on the leads



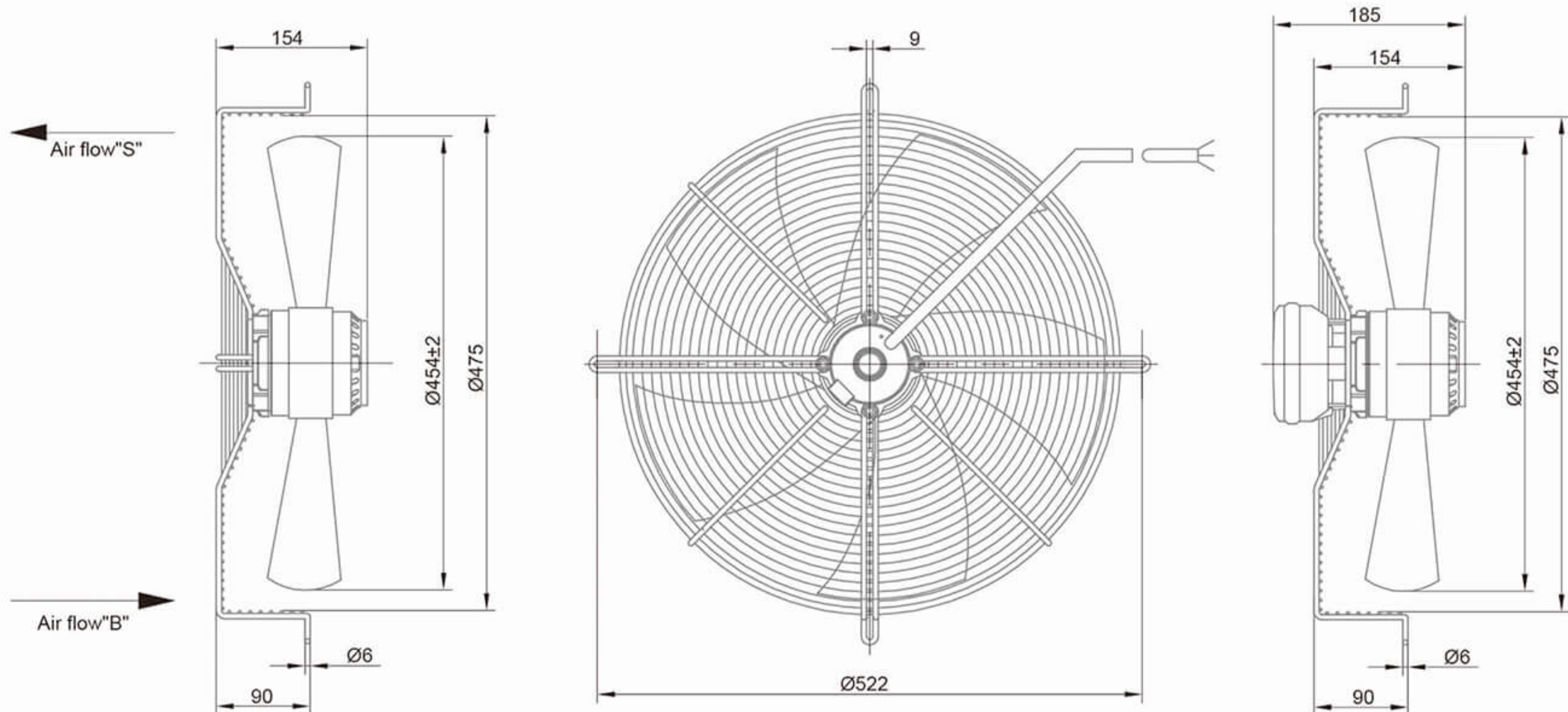
Model	Voltage (V)	Frequency (Hz)	Input Power (W)	Current (A)	Air Volume (m³/h)	Speed (r/min)	Capacitor (µF)	Noise [dB(A)]	Max Environmental Temperature(°C)	Weight (Kg)
BMF-4E450-ZX01	230	50/60	250/360	1.15/1.6	4400/5200	1430/1660	8	71/74	60	6.9
BMF-4D450-ZX06	380	50/60	250/350	0.53/0.57	4400/5200	1410/1630	-	68/73	60	6.9

AC Axial Fans Φ 450



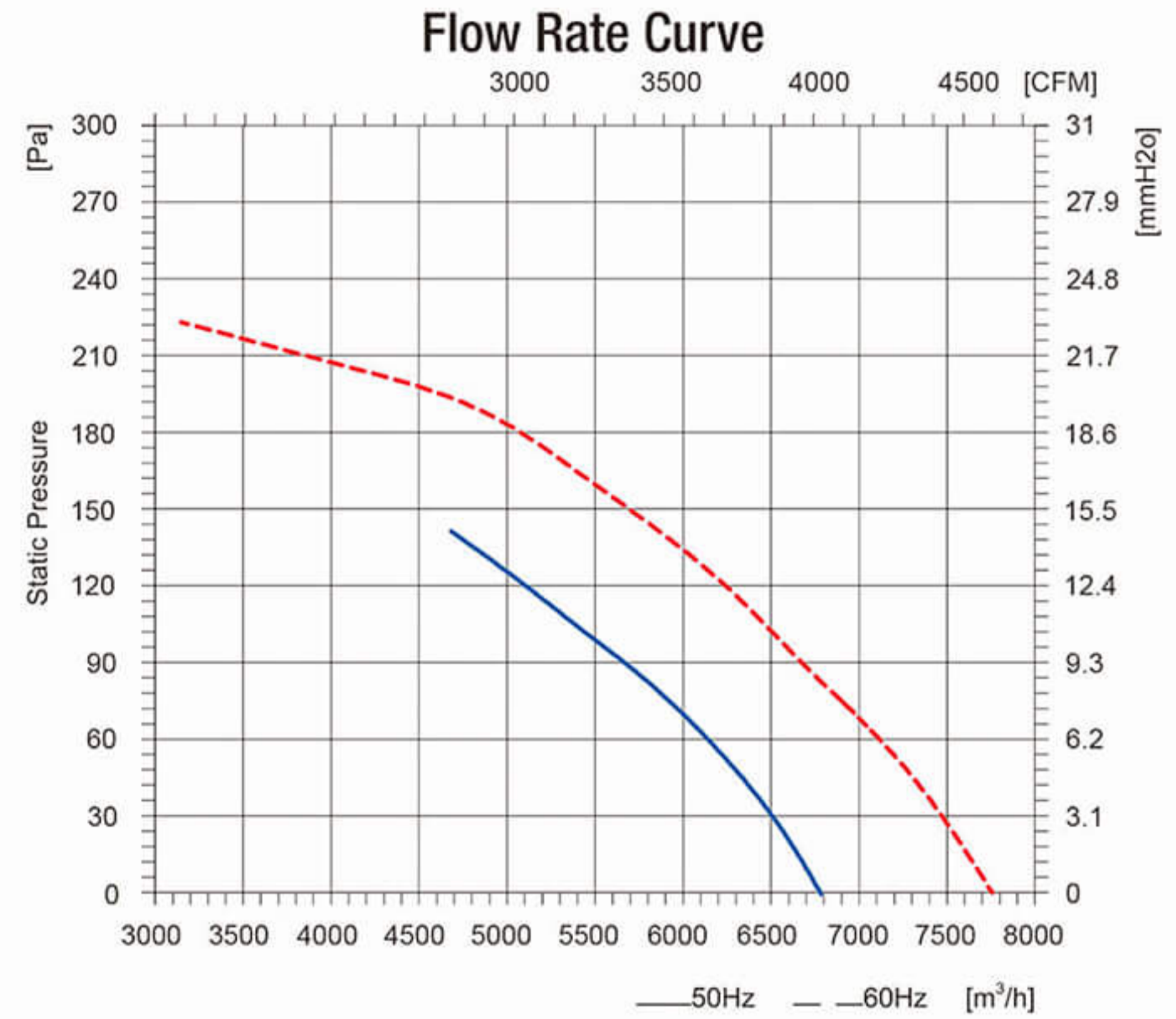
Product Characteristic

Motor technology: AC Outer rotor
 Mode of Operation: S1
 Protection Class: IP54
 Insulation Class: B/F
 Bearings: Maintenance-free ball bearings
 Blades Material: Cold rolled sheet steel
 Blades count: 5
 Air direction: seen on the leads



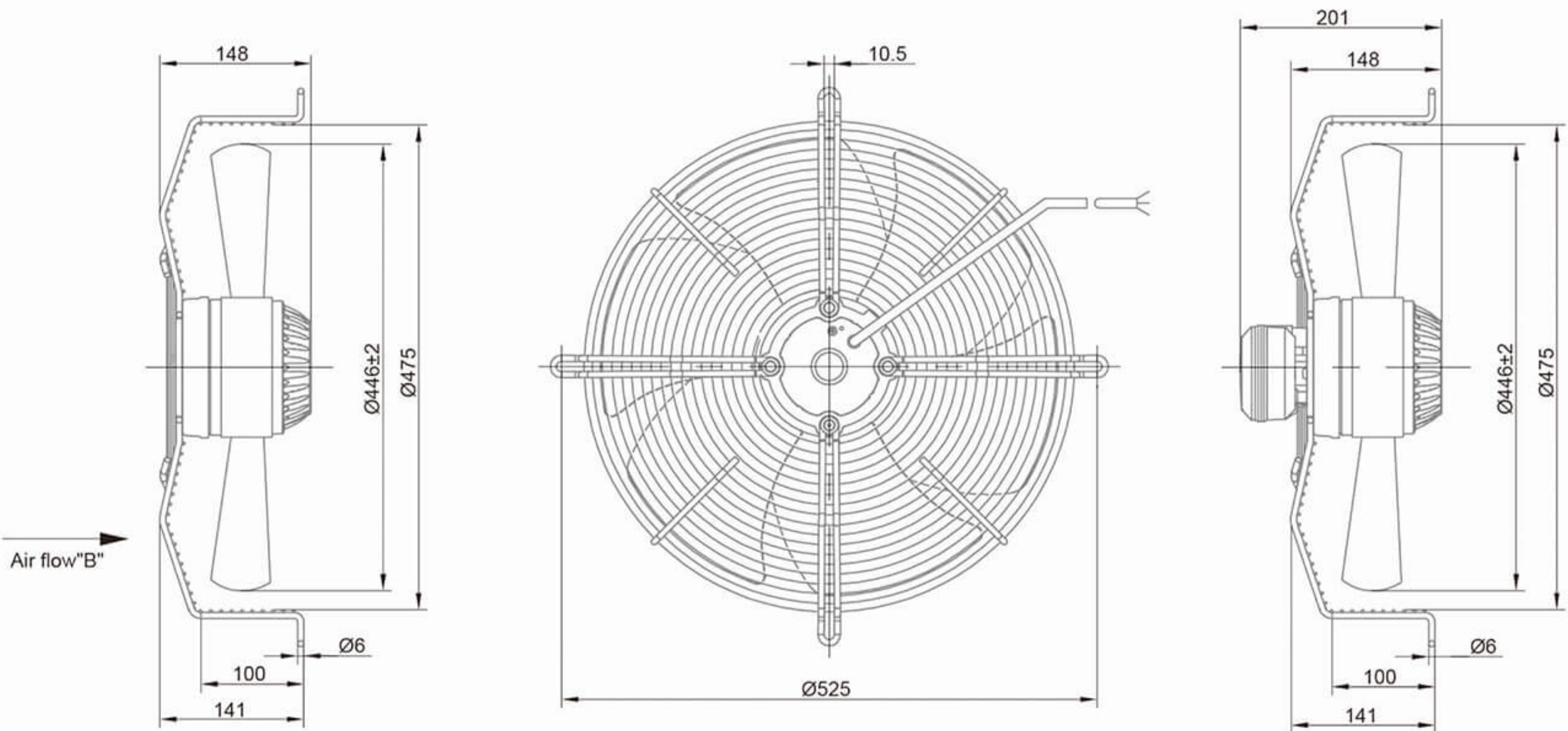
Model	Voltage (V)	Frequency (Hz)	Input Power (W)	Current (A)	Air Volume (m³/h)	Speed (r/min)	Capacitor (µF)	Noise [dB(A)]	Max Environmental Temperature(°C)	Weight (Kg)
BMF- 4D450-ZX05	400	50	460	0.82	6200	1320	-	68	55	8.5
BMF- 6E450-ZX06	230	50/60	200/285	0.86/1.25	4650/5100	900/1000	5	60/63	55	8.5

AC Axial Fans $\Phi 450$



Product Characteristic

Motor technology: AC Outer rotor
 Mode of Operation: S1
 Protection Class: IP54
 Insulation Class: B/F
 Bearings: Maintenance-free ball bearings
 Blades Material: Cold rolled sheet steel
 Blades count: 6
 Air direction: seen on the leads

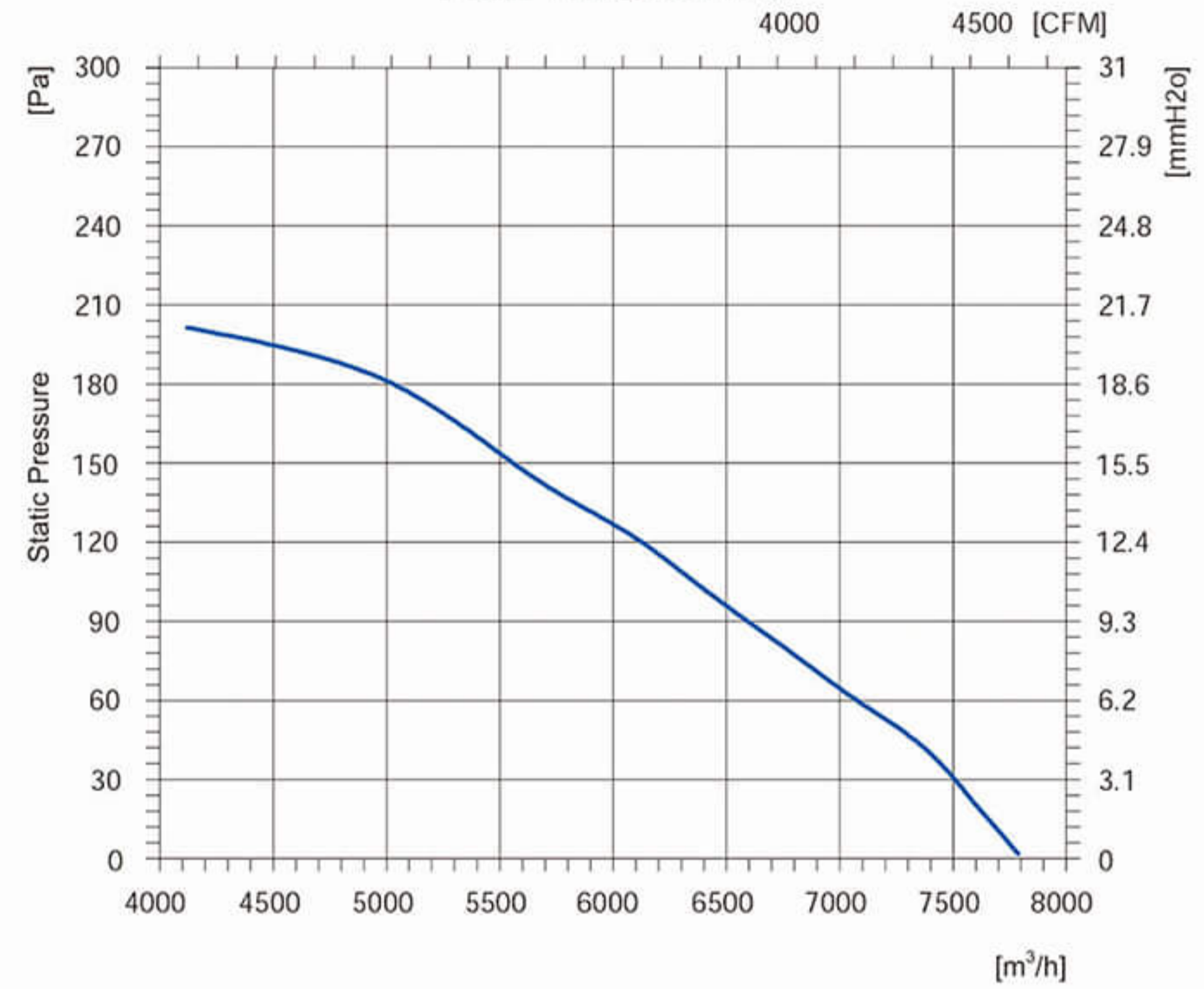


Model	Voltage (V)	Frequency (Hz)	Input Power (W)	Current (A)	Air Volume (m ³ /h)	Speed (r/min)	Capacitor (μF)	Noise [dB(A)]	Max Environmental Temperature(°C)	Weight (Kg)
BMF-4K450-ZX01	400	50	510	1.15	6600	1400	-	68	70	10.5
	460	60	900	1.44	7750	1630	-	73	55	10.5

AC Axial Fans $\Phi 450$

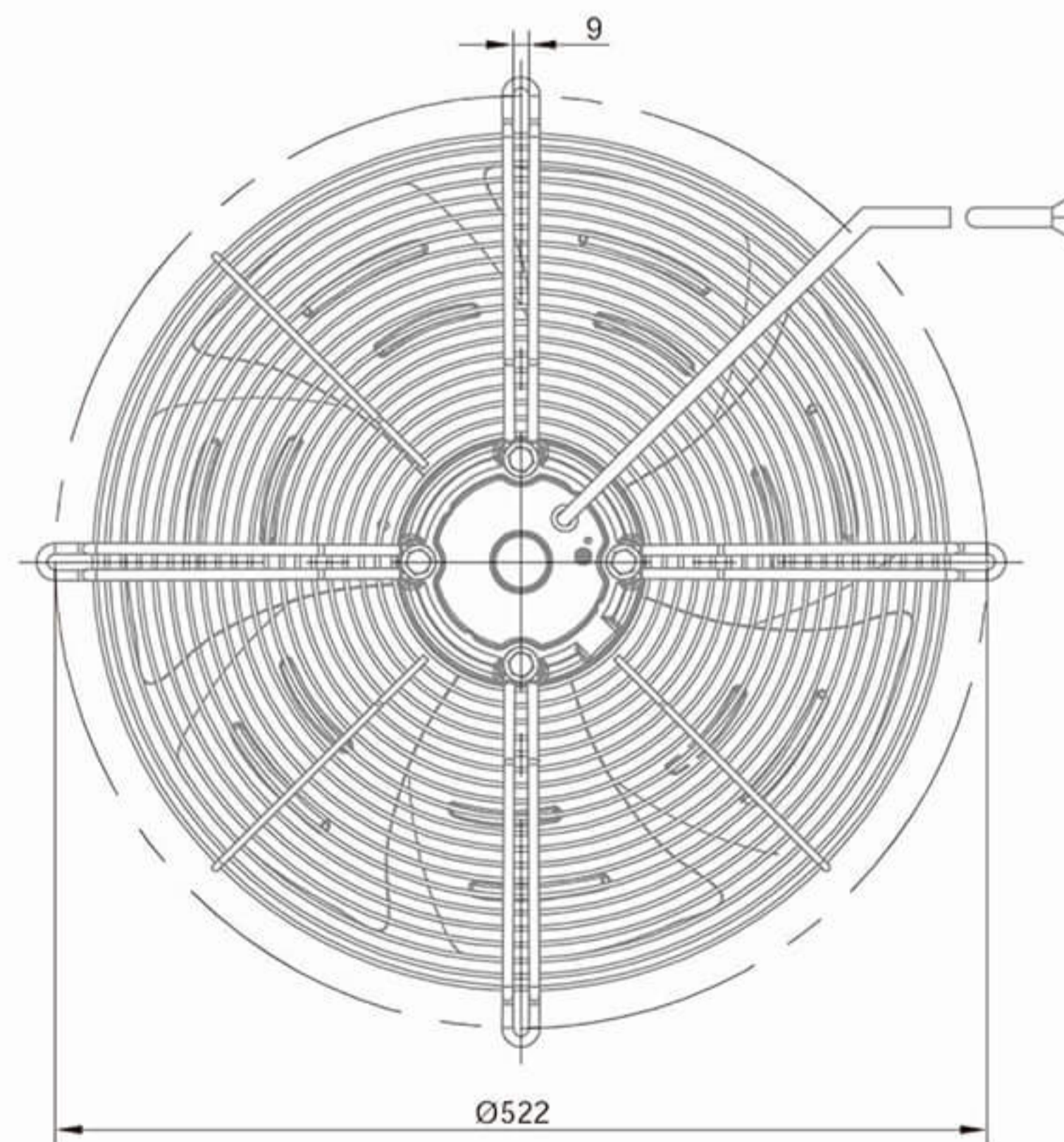
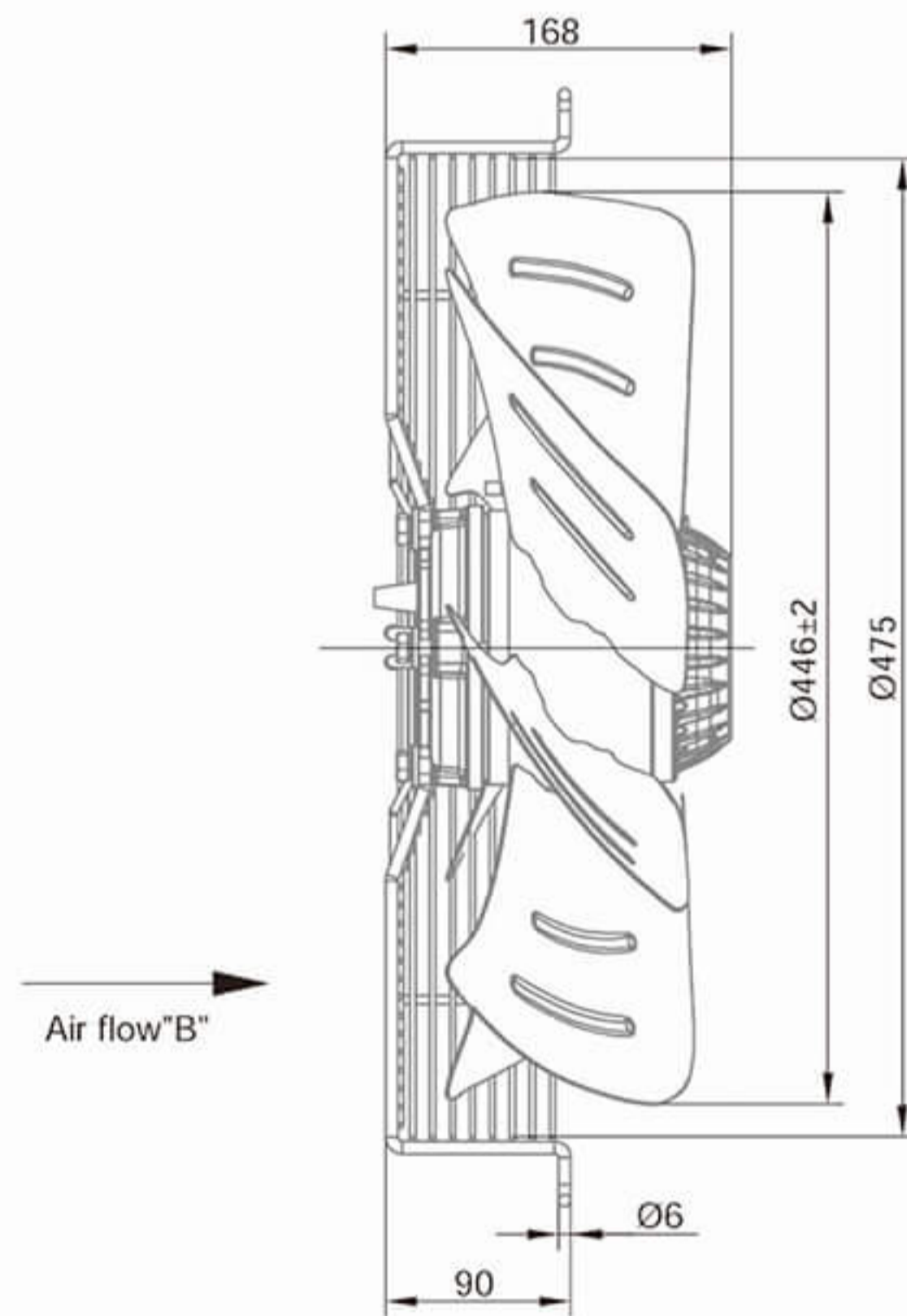


Flow Rate Curve



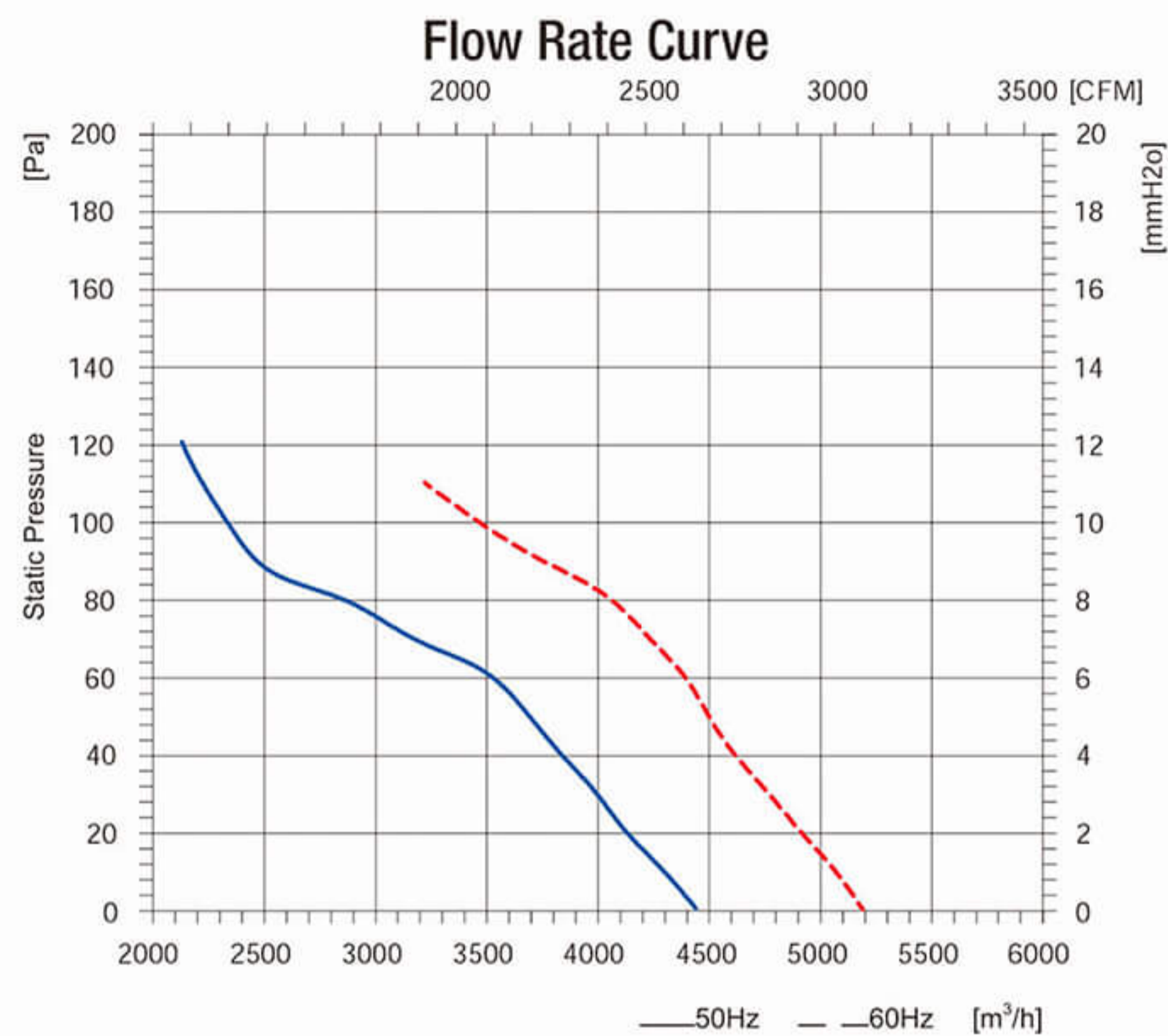
Product Characteristic

- Motor technology: AC Outer rotor
- Mode of Operation: S1
- Protection Class: IP54
- Insulation Class: B/F
- Bearings: Maintenance-free ball bearings
- Blades Material: Cold rolled sheet steel
- Blades count: 7
- Air direction: seen on the leads



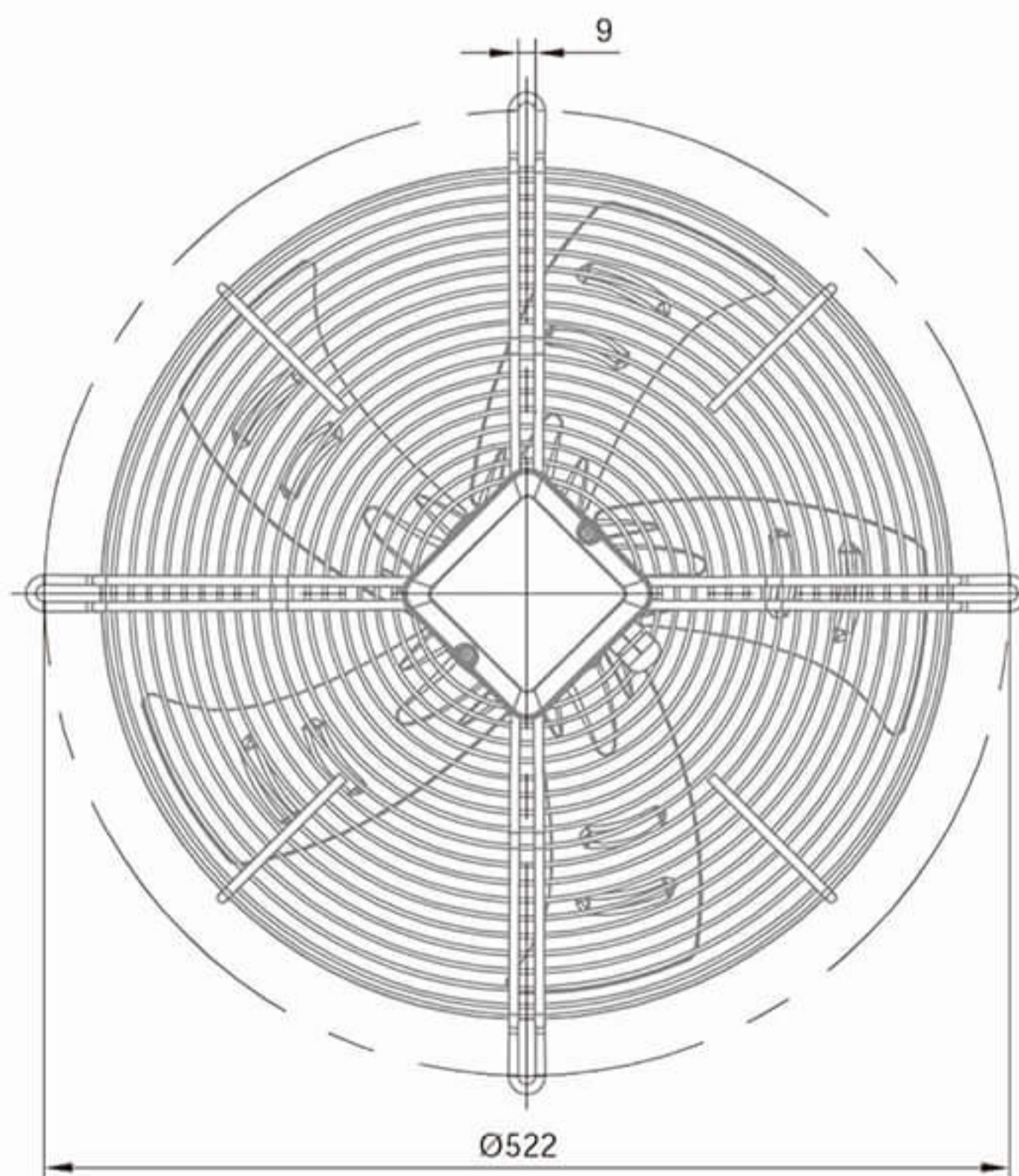
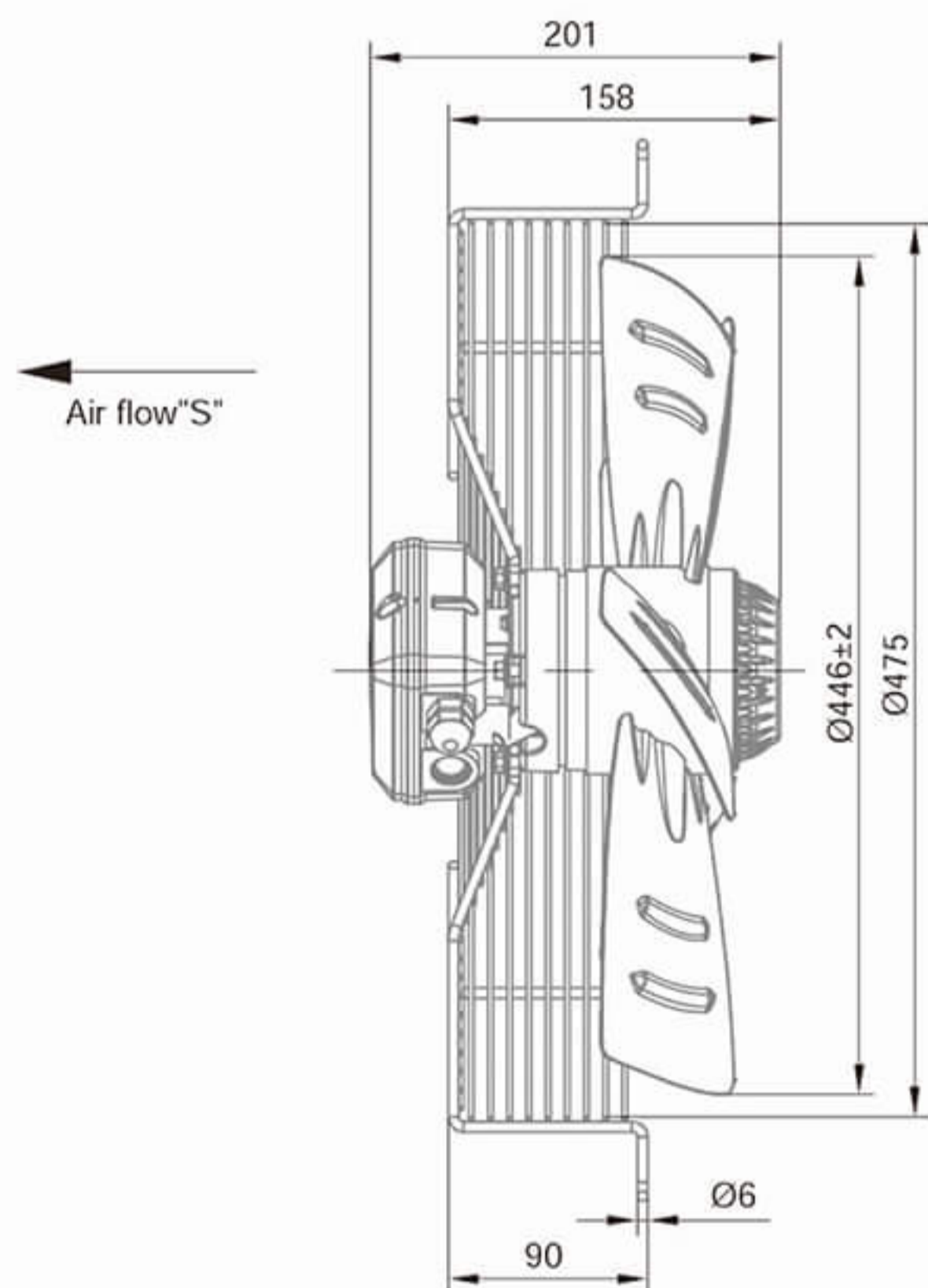
Model	Voltage (V)	Frequency (Hz)	Input Power (W)	Current (A)	Air Volume (m ³ /h)	Speed (r/min)	Capacitor (μ F)	Noise [dB(A)]	Max Environmental Temperature(°C)	Weight (Kg)
BMF-4D450-ZX13	400	50	760	1.75	7800	1390	-	79	60	13.0

AC Axial Fans $\Phi 450$



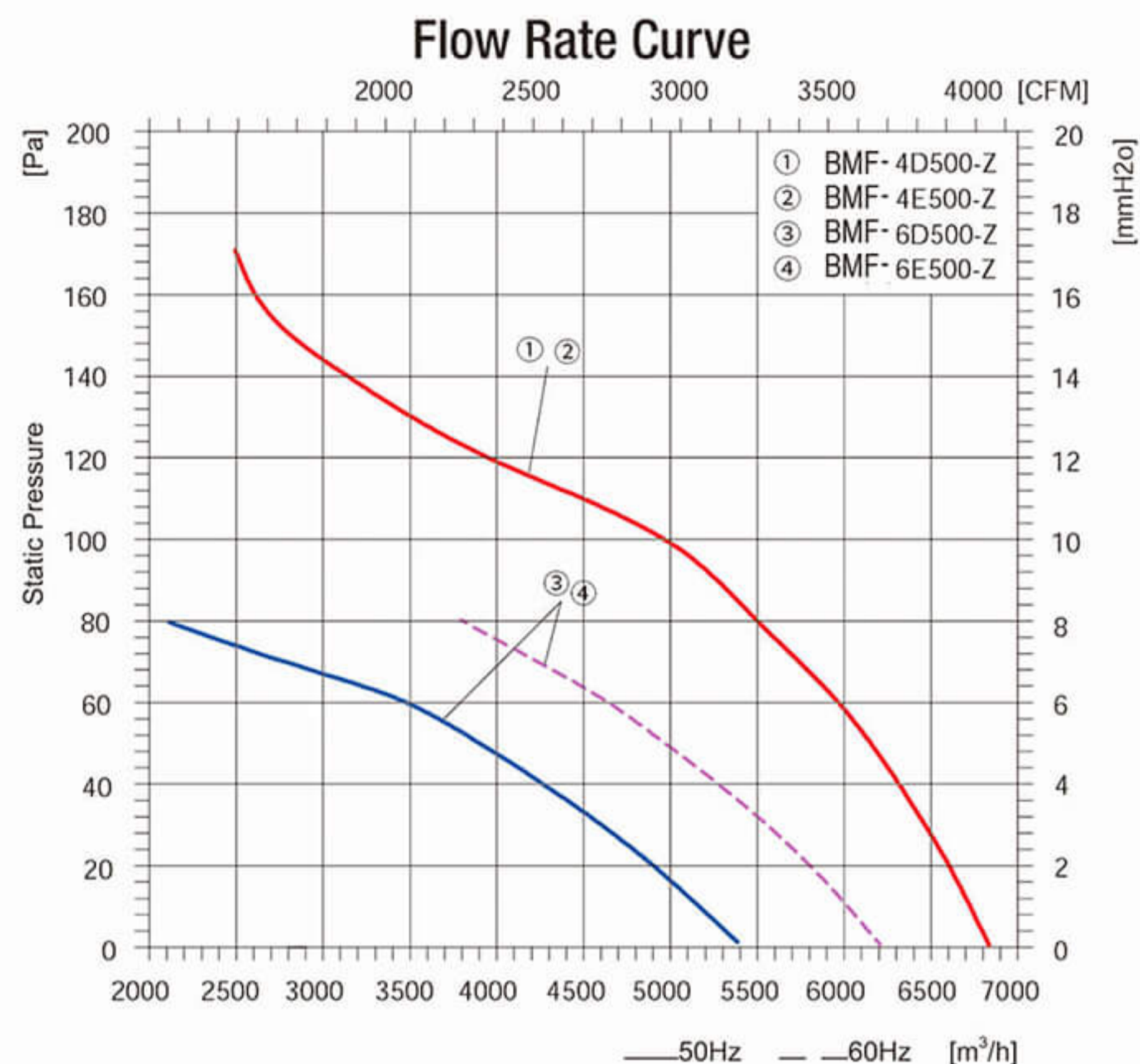
Product Characteristic

Motor technology:	AC Outer rotor
Mode of Operation:	S1
Protection Class:	IP54
Insulation Class:	B/F
Bearings:	Maintenance-free ball bearings
Blades Material:	Cold rolled sheet steel
Blades count:	5
Air direction:	seen on the leads



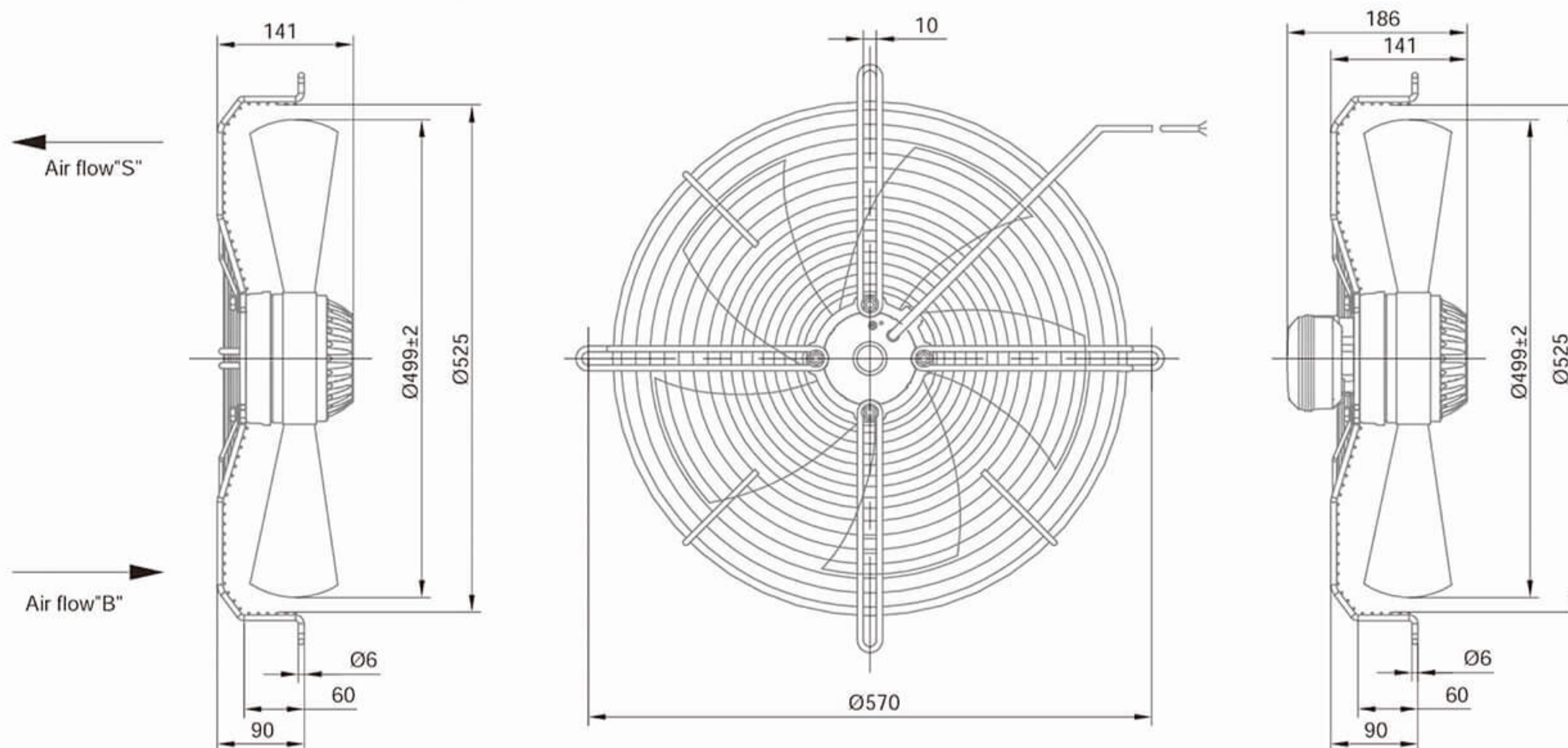
Model	Voltage (V)	Frequency (Hz)	Input Power (W)	Current (A)	Air Volume (m³/h)	Speed (r/min)	Capacitor (µF)	Noise [dB(A)]	Max Environmental Temperature(°C)	Weight (Kg)
BMF- 4T450-ZX06-S5A	230/380 Δ/Y	50/60	250/350	1.08/1.2 0.6/0.65	4400/5200	1380/1630	-	68/73	60	6.9

AC Axial Fans $\Phi 500$



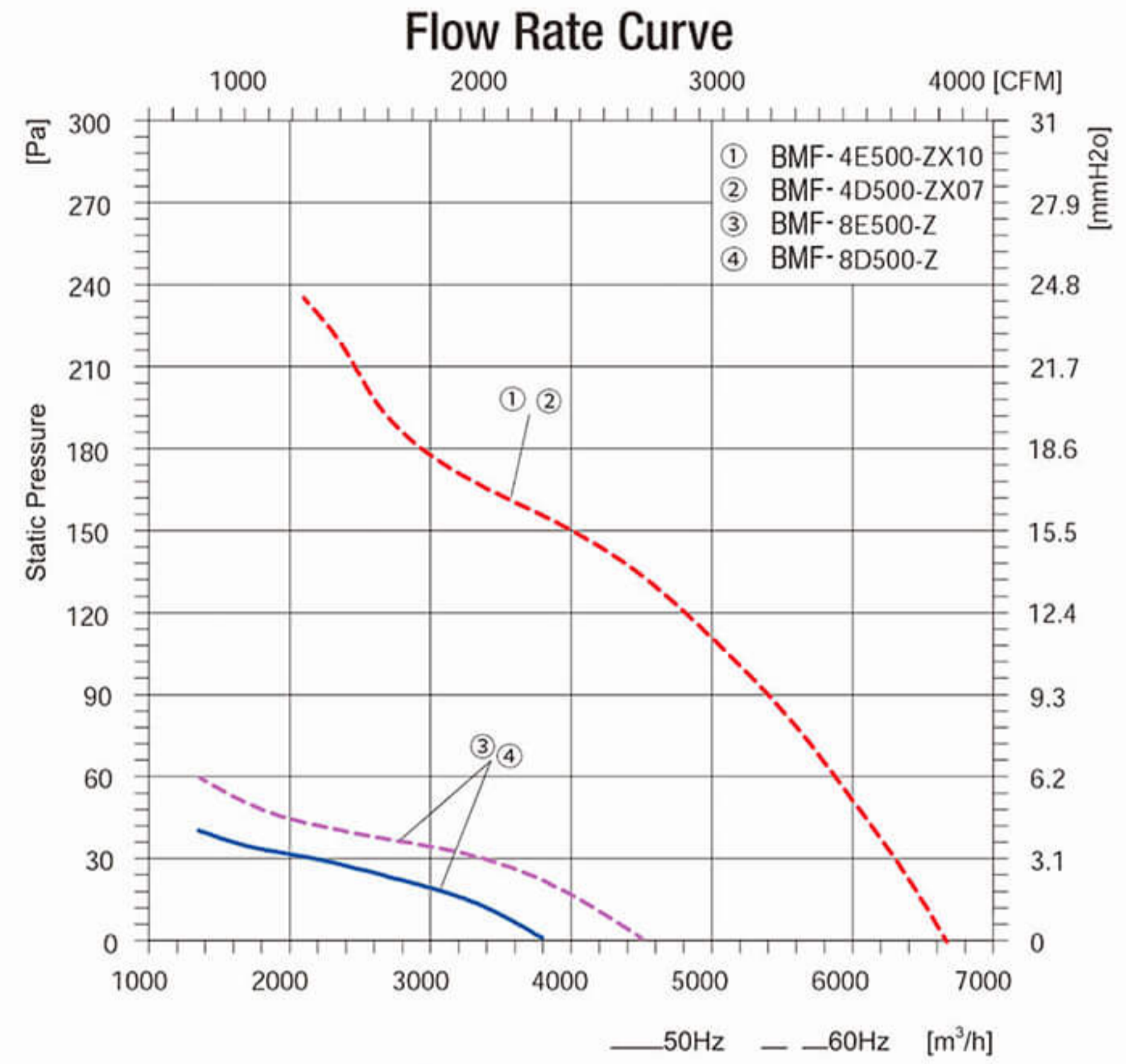
Product Characteristic

Motor technology: AC Outer rotor
 Mode of Operation: S1
 Protection Class: IP54
 Insulation Class: B/F
 Bearings: Maintenance-free ball bearings
 Blades Material: Cold rolled sheet steel
 Blades count: 5
 Air direction: seen on the leads



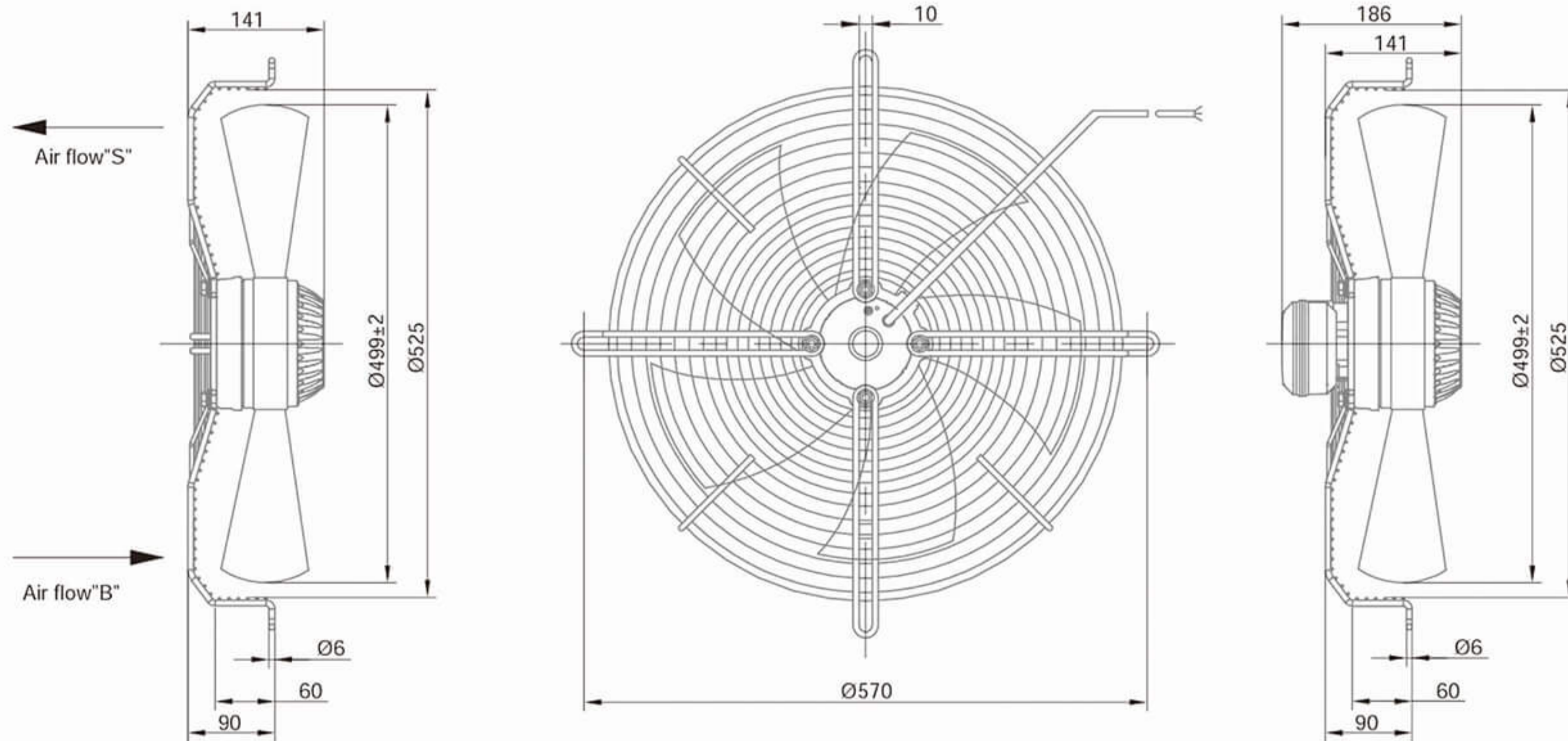
Model	Voltage (V)	Frequency (Hz)	Input Power (W)	Current (A)	Air Volume (m³/h)	Speed (r/min)	Capacitor (μ F)	Noise [dB(A)]	Max Environmental Temperature(°C)	Weight (Kg)
BMF-4E500-Z	230	50	420	1.85	6950	1320	12	72	50	9.5
BMF-4D500-Z	380	50	450	0.93	7000	1320	-	72	50	9.5
BMF-6E500-Z	230	50/60	230/320	1.15/1.4	5200/6150	920/1050	6	67/69	60/50	9.5
BMF-6D500-Z	380	50/60	250/320	0.78/0.65	5200/6150	920/1060	-	67/69	60/50	9.5

AC Axial Fans Φ500



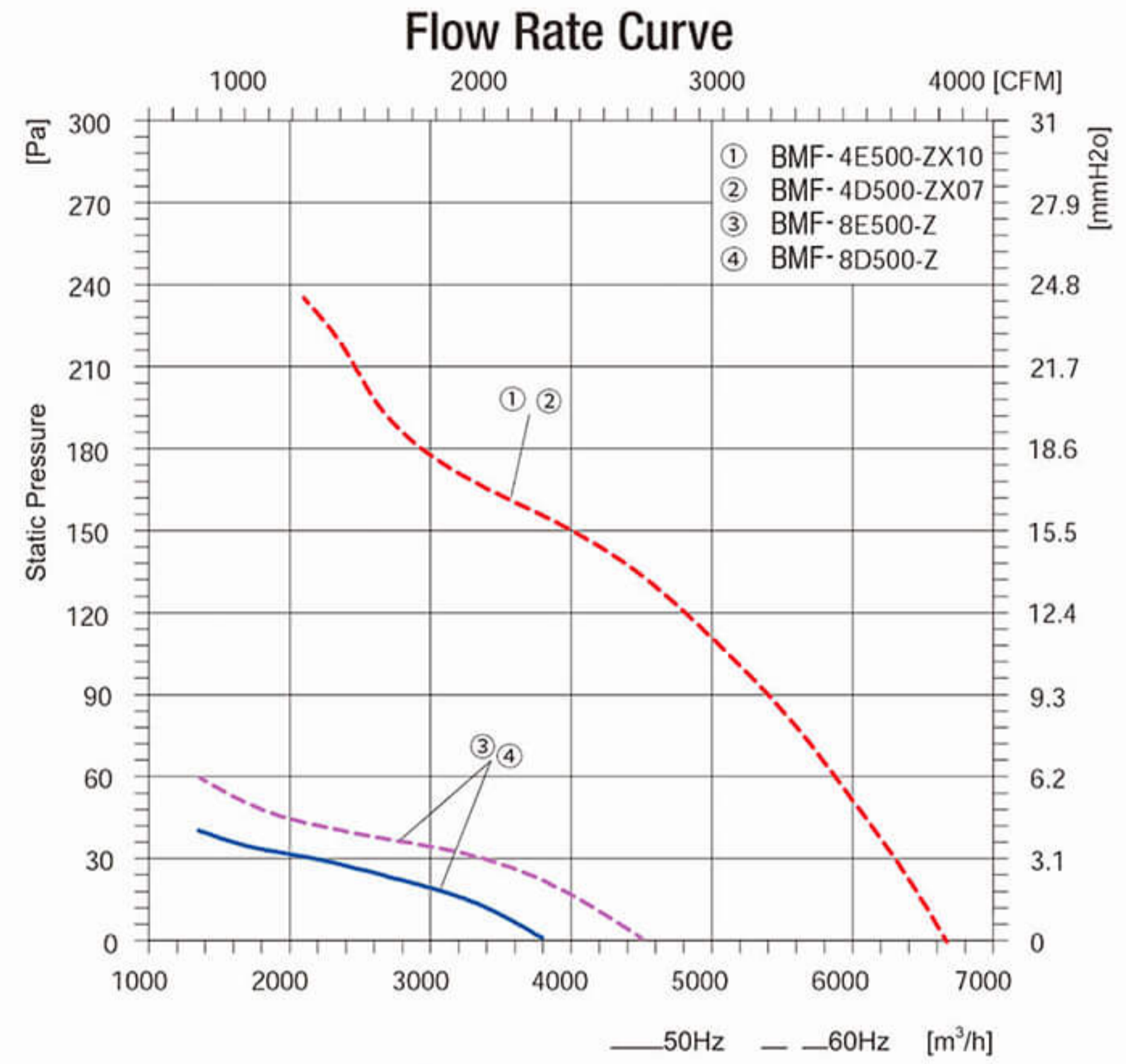
Product Characteristic

Motor technology: AC Outer rotor
 Mode of Operation: S1
 Protection Class: IP54
 Insulation Class: B/F
 Bearings: Maintenance-free ball bearings
 Blades Material: Cold rolled sheet steel
 Blades count: 5
 Air direction: seen on the leads



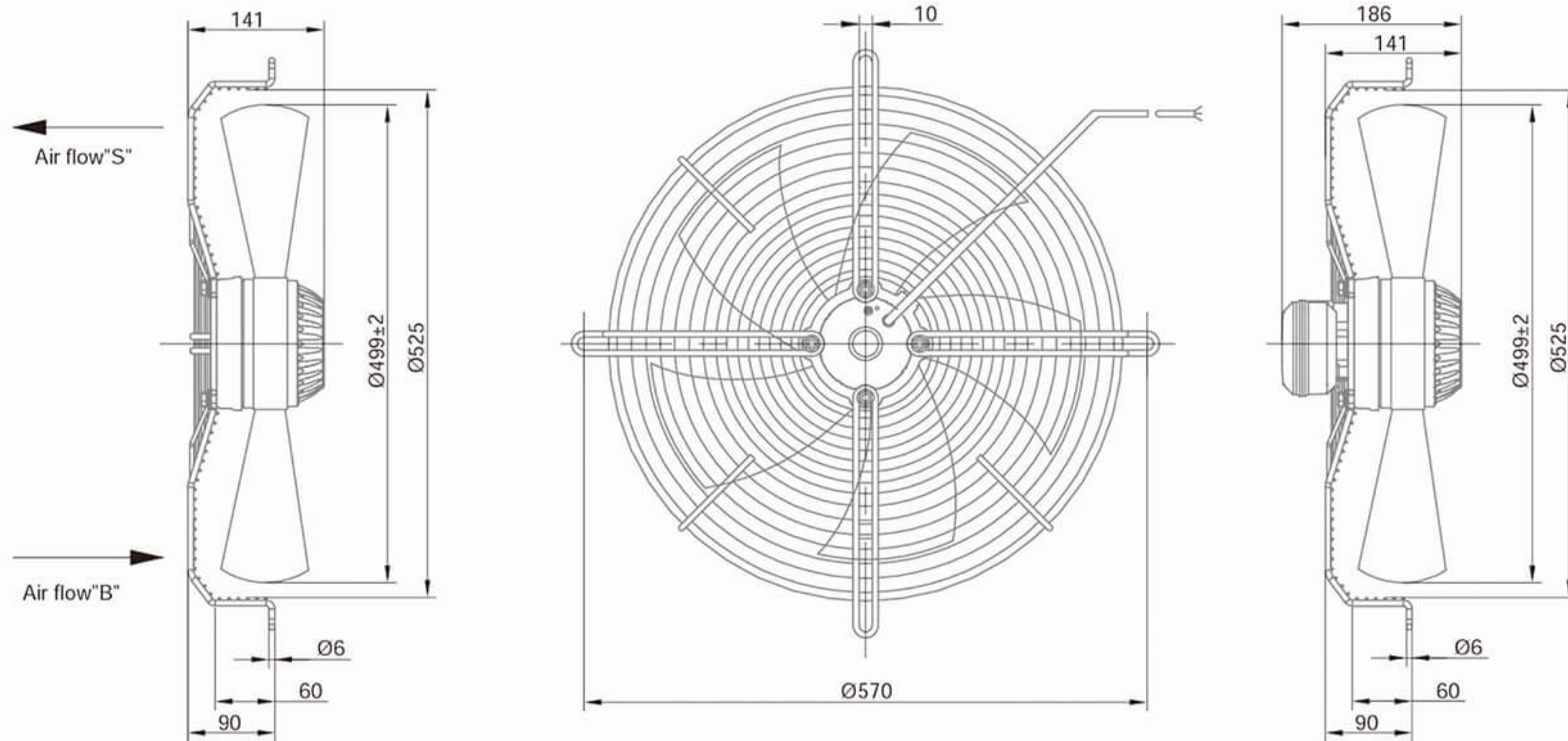
Model	Voltage (V)	Frequency (Hz)	Input Power (W)	Current (A)	Air Volume (m³/h)	Speed (r/min)	Capacitor (µF)	Noise [dB(A)]	Max Environmental Temperature(°C)	Weight (Kg)
BMF-4E500-ZX10	230	60	550	2.5	6750	1590	12	76	50	9.5
BMF-4D500-ZX07	380	60	550	0.93	6750	1550	-	76	50	9.5
BMF-8E500-Z	230	50/60	110/150	0.48/0.7	3900/4500	650/730	4	64/66	60	9.5
BMF-8D500-Z	380	50/60	110/130	0.30/0.30	3900/4500	690/770	-	65/67	60	9.5

AC Axial Fans $\Phi 500$



Product Characteristic

Motor technology: AC Outer rotor
 Mode of Operation: S1
 Protection Class: IP54
 Insulation Class: B/F
 Bearings: Maintenance-free ball bearings
 Blades Material: Cold rolled sheet steel
 Blades count: 5
 Air direction: seen on the leads

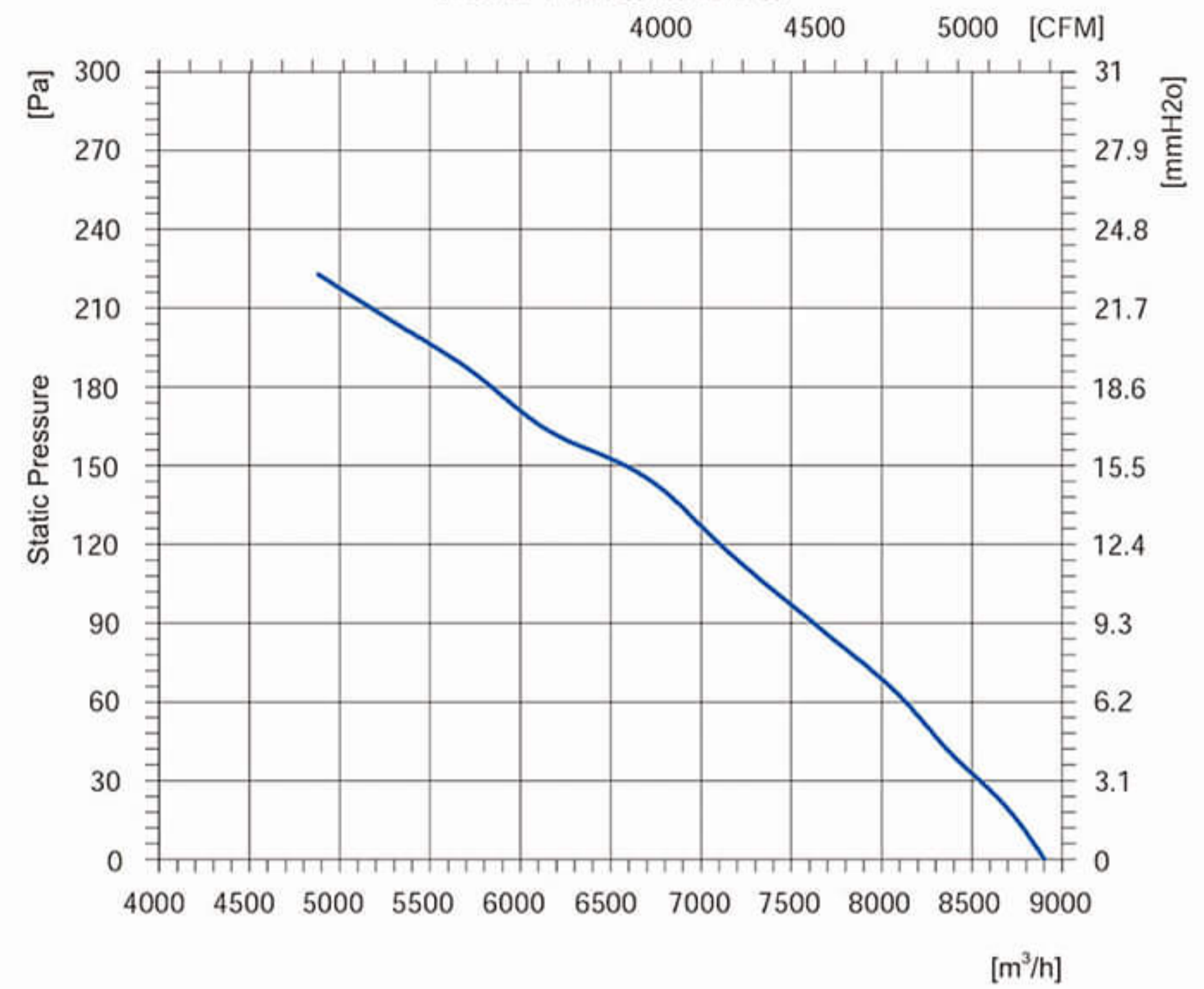


Model	Voltage (V)	Frequency (Hz)	Input Power (W)	Current (A)	Air Volume (m³/h)	Speed (r/min)	Capacitor (µF)	Noise [dB(A)]	Max Environmental Temperature(°C)	Weight (Kg)
BMF-4E500-ZX10	230	60	550	2.5	6750	1590	12	76	50	9.5
BMF-4D500-ZX07	380	60	550	0.93	6750	1550	-	76	50	9.5
BMF-8E500-Z	230	50/60	110/150	0.48/0.7	3900/4500	650/730	4	64/66	60	9.5
BMF-8D500-Z	380	50/60	110/130	0.30/0.30	3900/4500	690/770	-	65/67	60	9.5

AC Axial Fans Φ 500

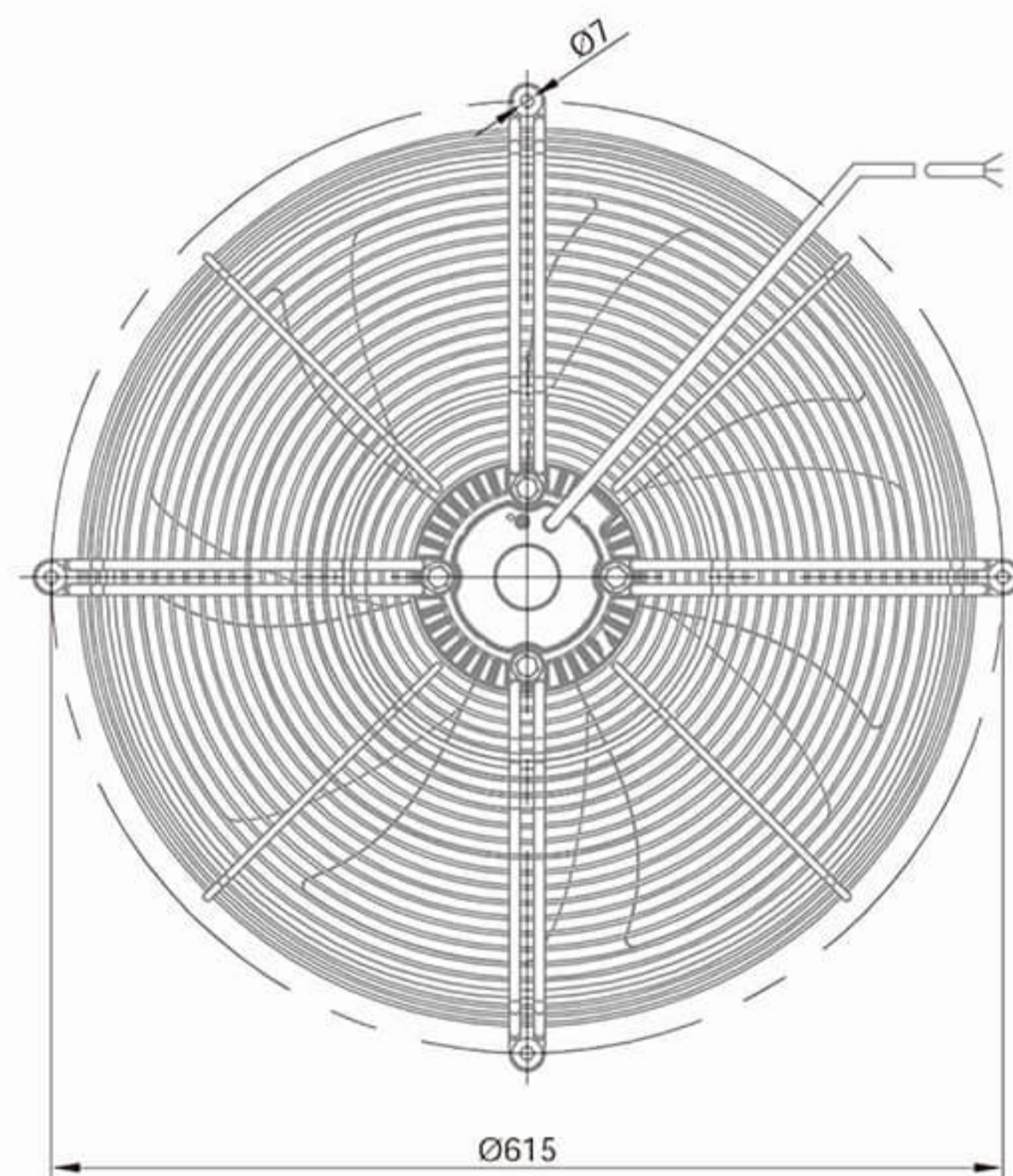
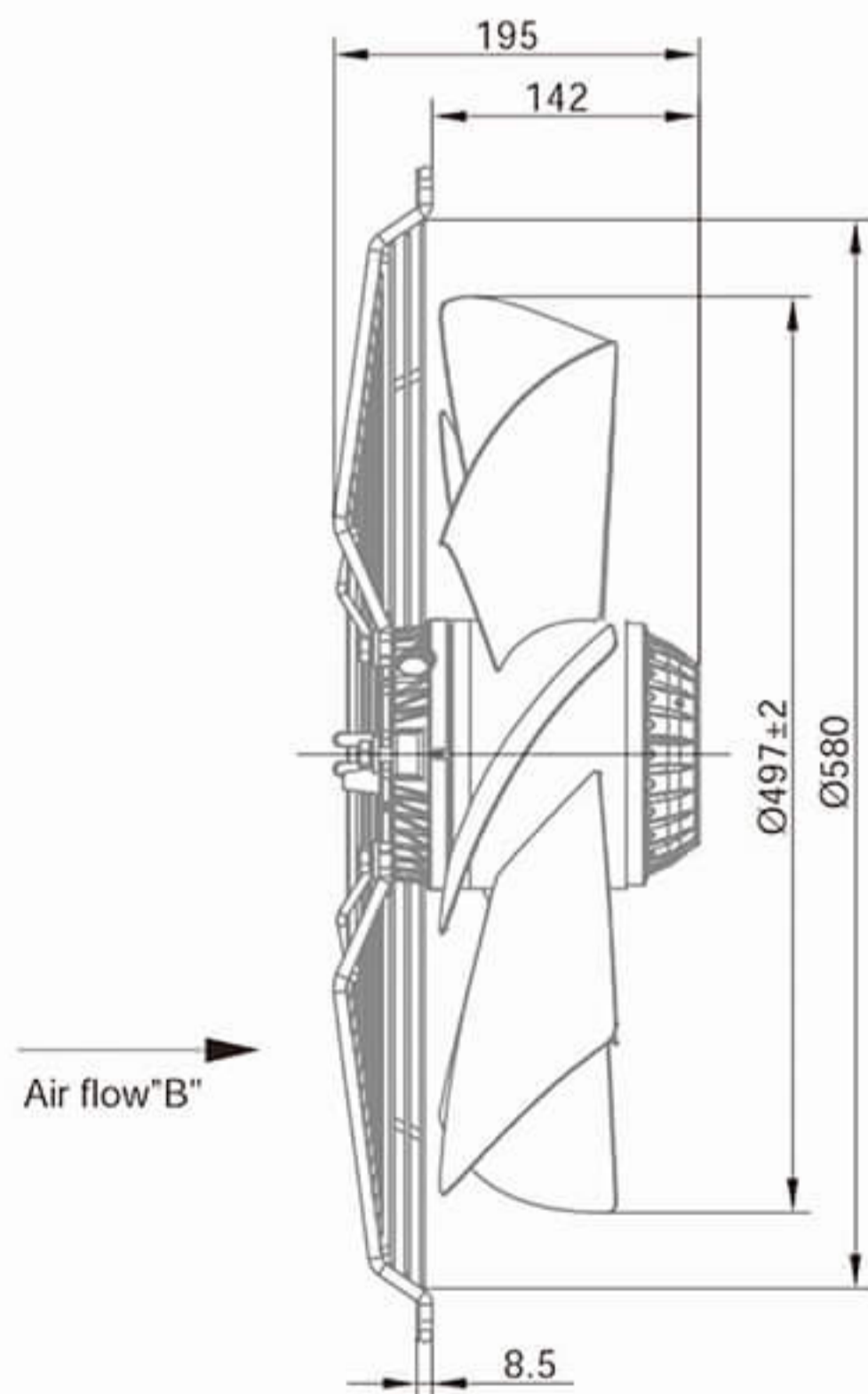


Flow Rate Curve



Product Characteristic

Motor technology: AC Outer rotor
 Mode of Operation: S1
 Protection Class: IP54
 Insulation Class: B/F
 Bearings: Maintenance-free ball bearings
 Blades Material: Cold rolled sheet steel
 Blades count: 7
 Air direction: seen on the leads

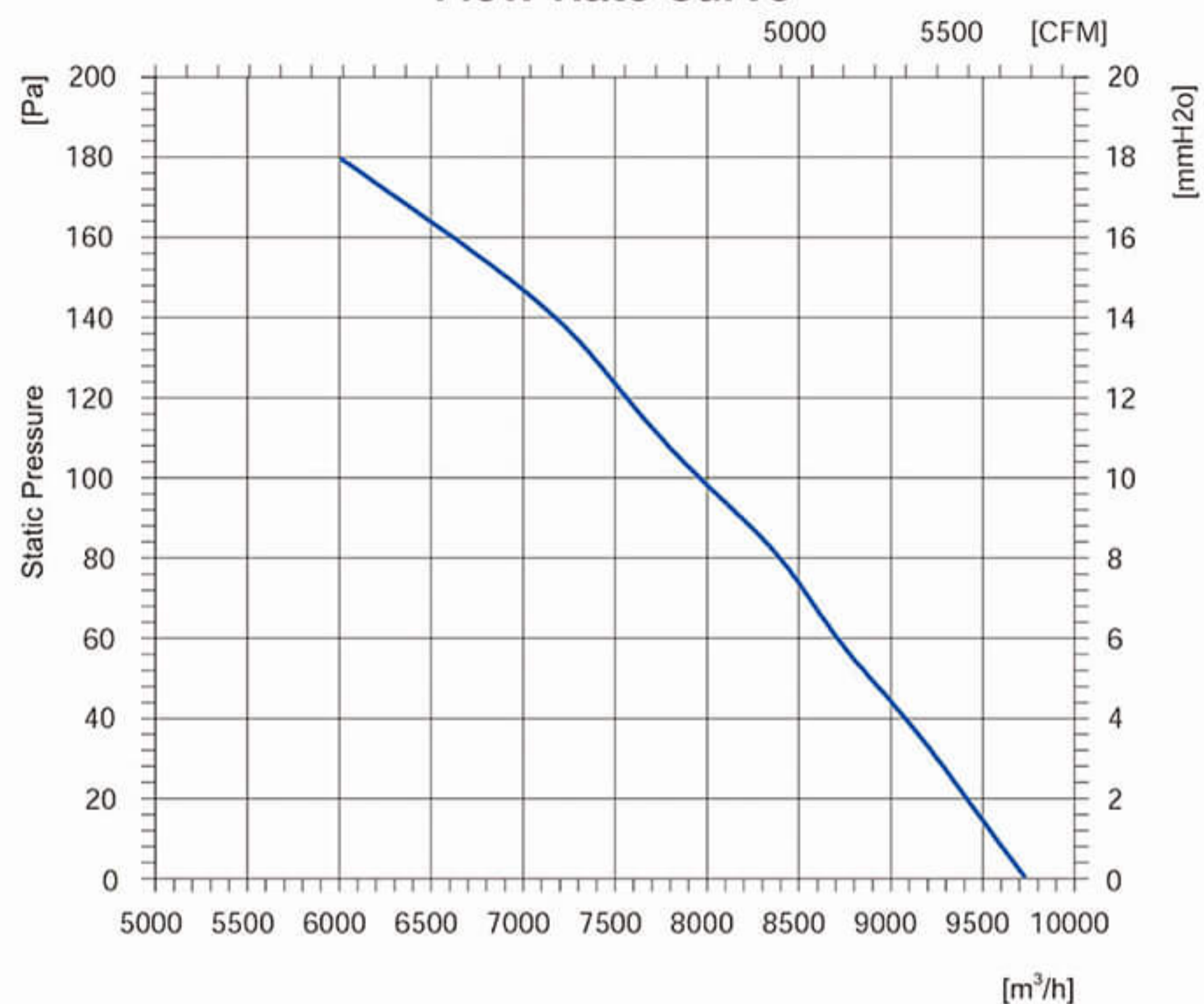


Model	Voltage (V)	Frequency (Hz)	Input Power (W)	Current (A)	Air Volume (m³/h)	Speed (r/min)	Capacitor (µF)	Noise [dB(A)]	Max Environmental Temperature(°C)	Weight (Kg)
BMF-4D500-ZX33-B7B	400	50	900	2.3	8900	1420	-	79	70	11.0

AC Axial Fans $\Phi 500$

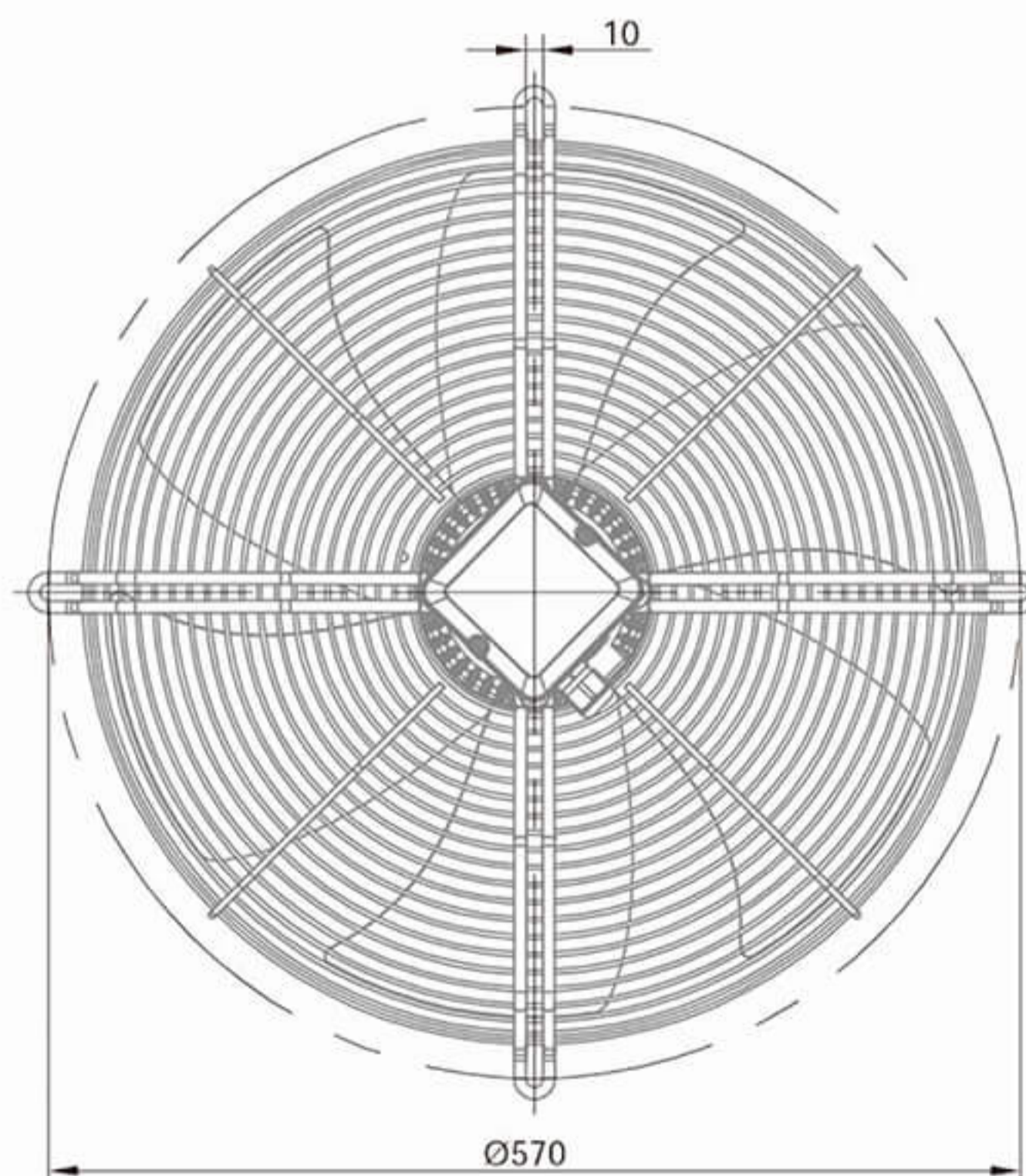
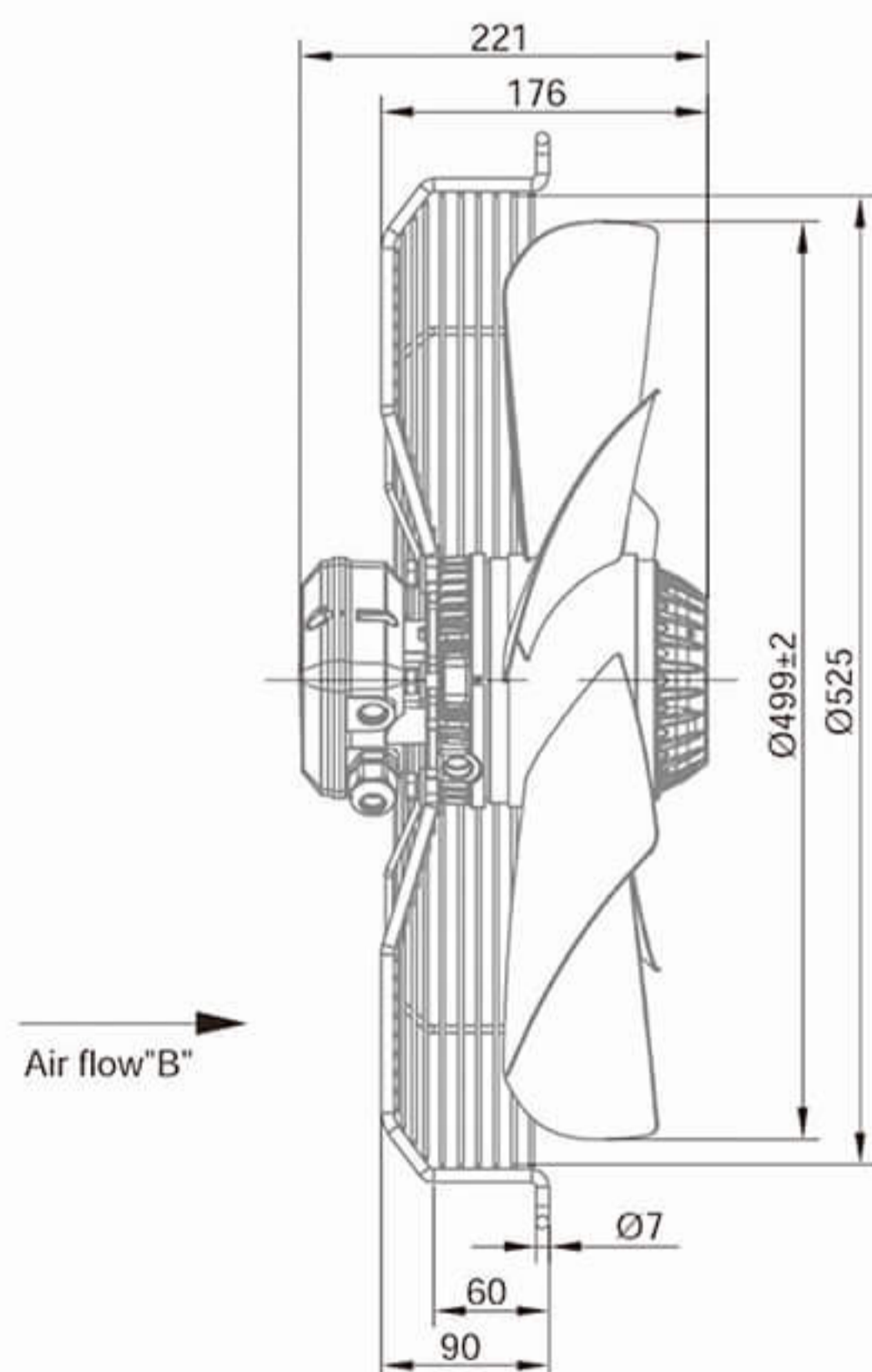


Flow Rate Curve



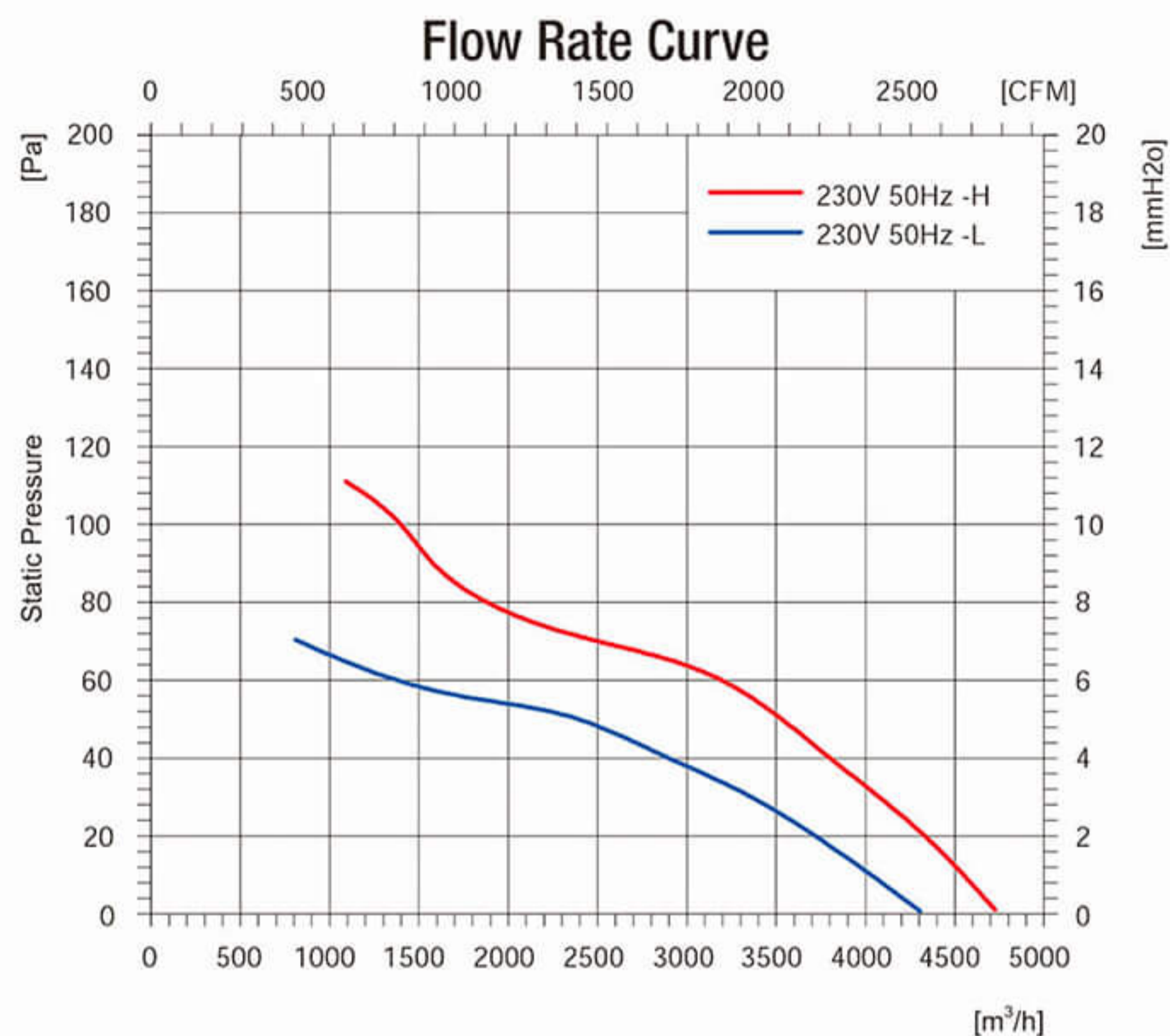
Product Characteristic

Motor technology: AC Outer rotor
 Mode of Operation: S1
 Protection Class: IP54
 Insulation Class: B/F
 Bearings: Maintenance-free ball bearings
 Blades Material: Cold rolled sheet steel
 Blades count: 6
 Air direction: seen on the leads



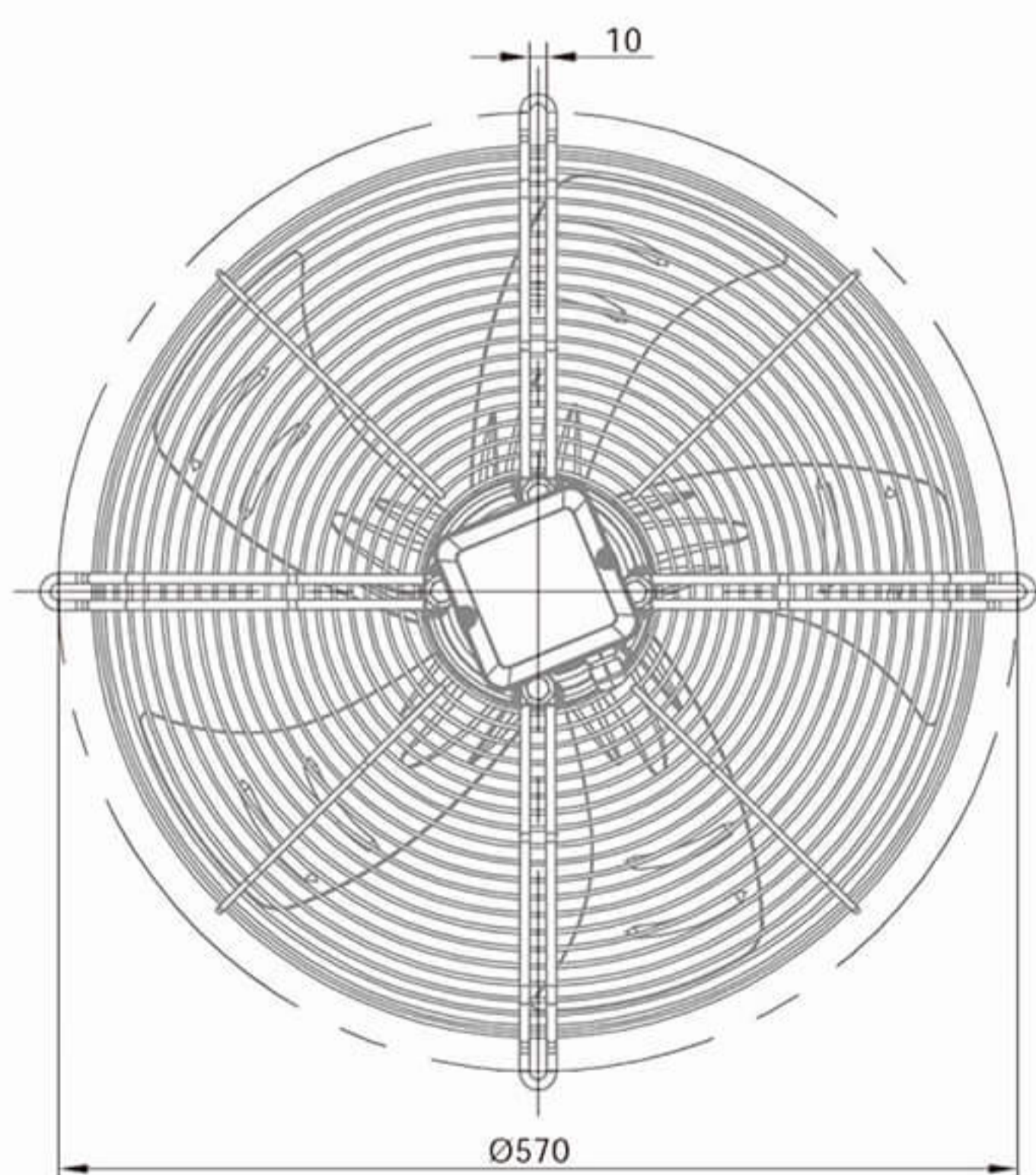
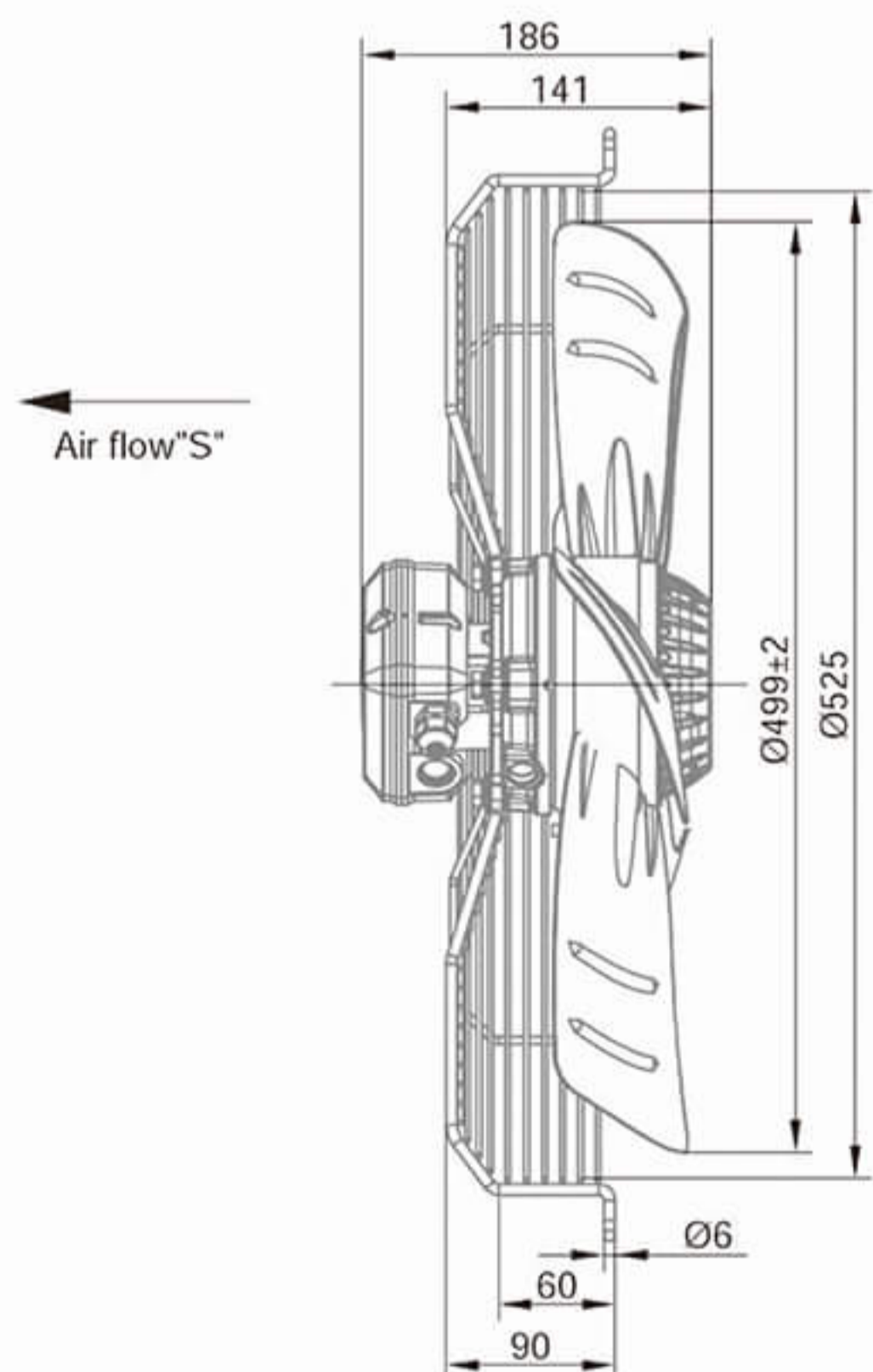
Model	Voltage (V)	Frequency (Hz)	Input Power (W)	Current (A)	Air Volume (m ³ /h)	Speed (r/min)	Capacitor (μF)	Noise [dB(A)]	Max Environmental Temperature(°C)	Weight (Kg)
BMF- 4T500-ZX04-B6A	220/380 Δ/Y	60	1100	3.34/1.96	9700	1580	-	79	50	11.0

AC Axial Fans $\Phi 500$



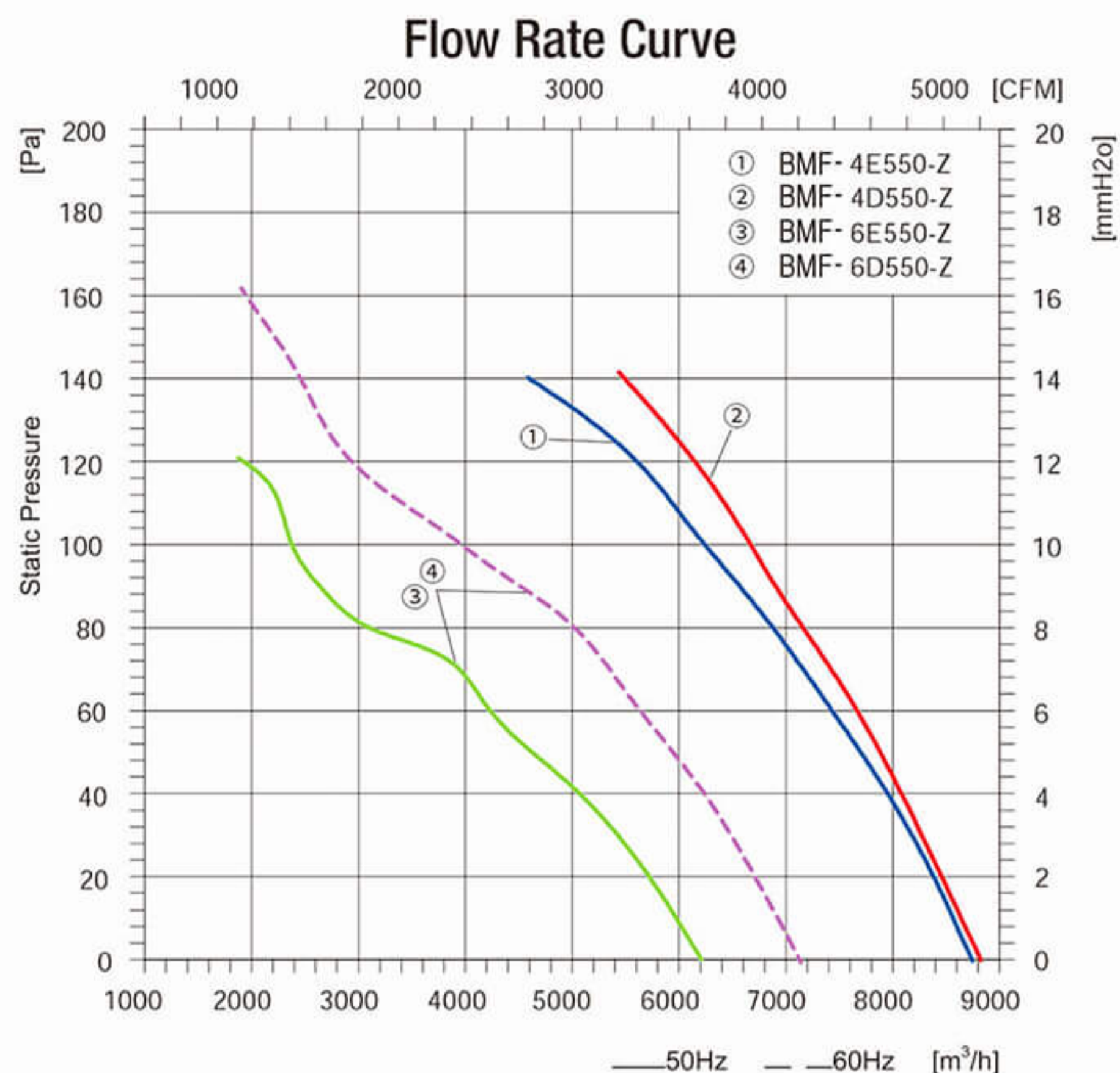
Product Characteristic

Motor technology: AC Outer rotor
 Mode of Operation: S1
 Protection Class: IP54
 Insulation Class: B/F
 Bearings: Maintenance-free ball bearings
 Blades Material: Cold rolled sheet steel
 Blades count: 5
 Air direction: seen on the leads



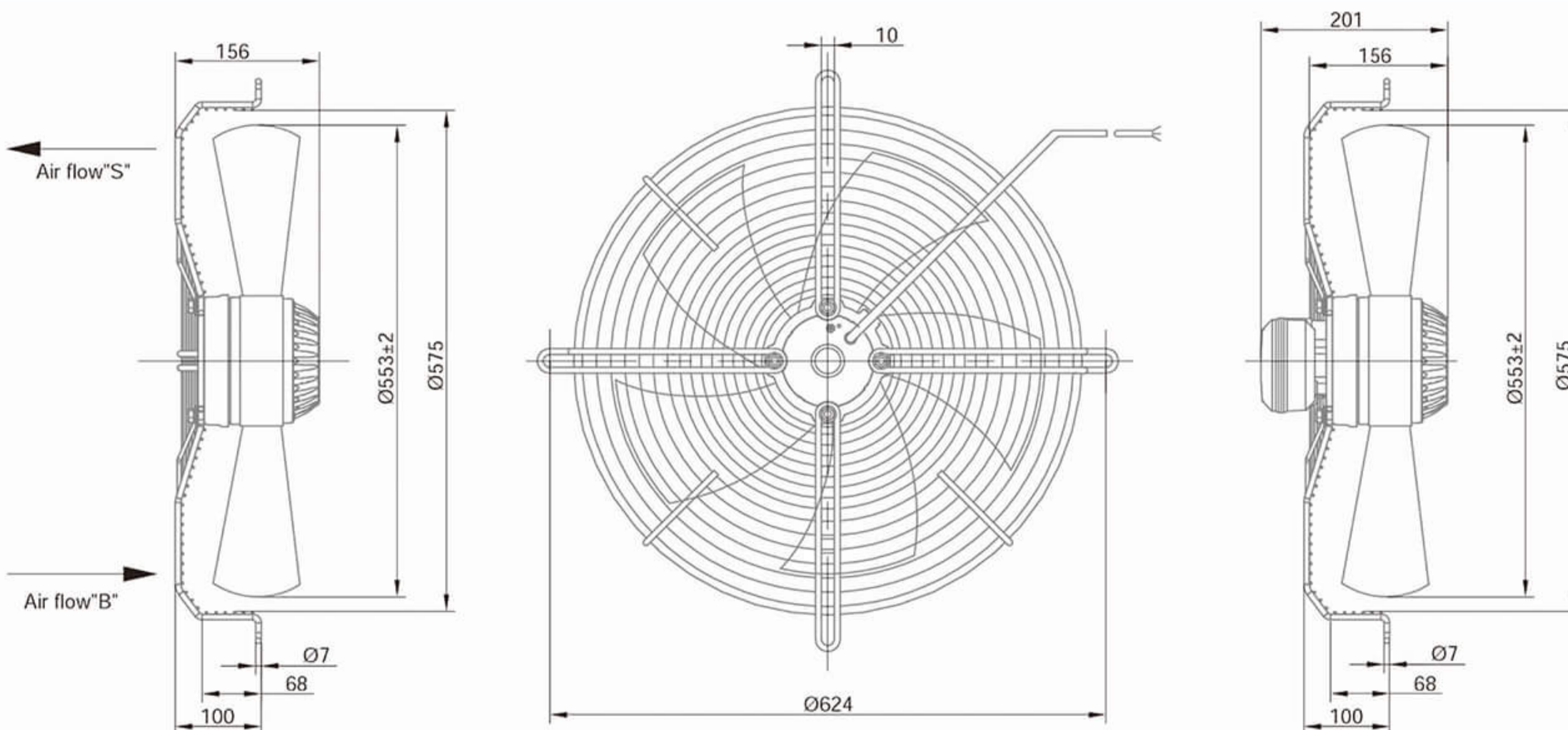
Model	Voltage (V)	Frequency (Hz)	Input Power (W)	Current (A)	Air Volume (m³/h)	Speed (r/min)	Capacitor (µF)	Noise [dB(A)]	Max Environmental Temperature(°C)	Weight (Kg)
BMF- 6E500-ZX04-S5A	230	50	230/200	1.15/0.9	4700/4300	930/780	6	67	50	9.5

AC Axial Fans $\Phi 550$



Product Characteristic

Motor technology: AC Outer rotor
 Mode of Operation: S1
 Protection Class: IP54
 Insulation Class: B/F
 Bearings: Maintenance-free ball bearings
 Blades Material: Cold rolled sheet steel
 Blades count: 5
 Air direction: seen on the leads

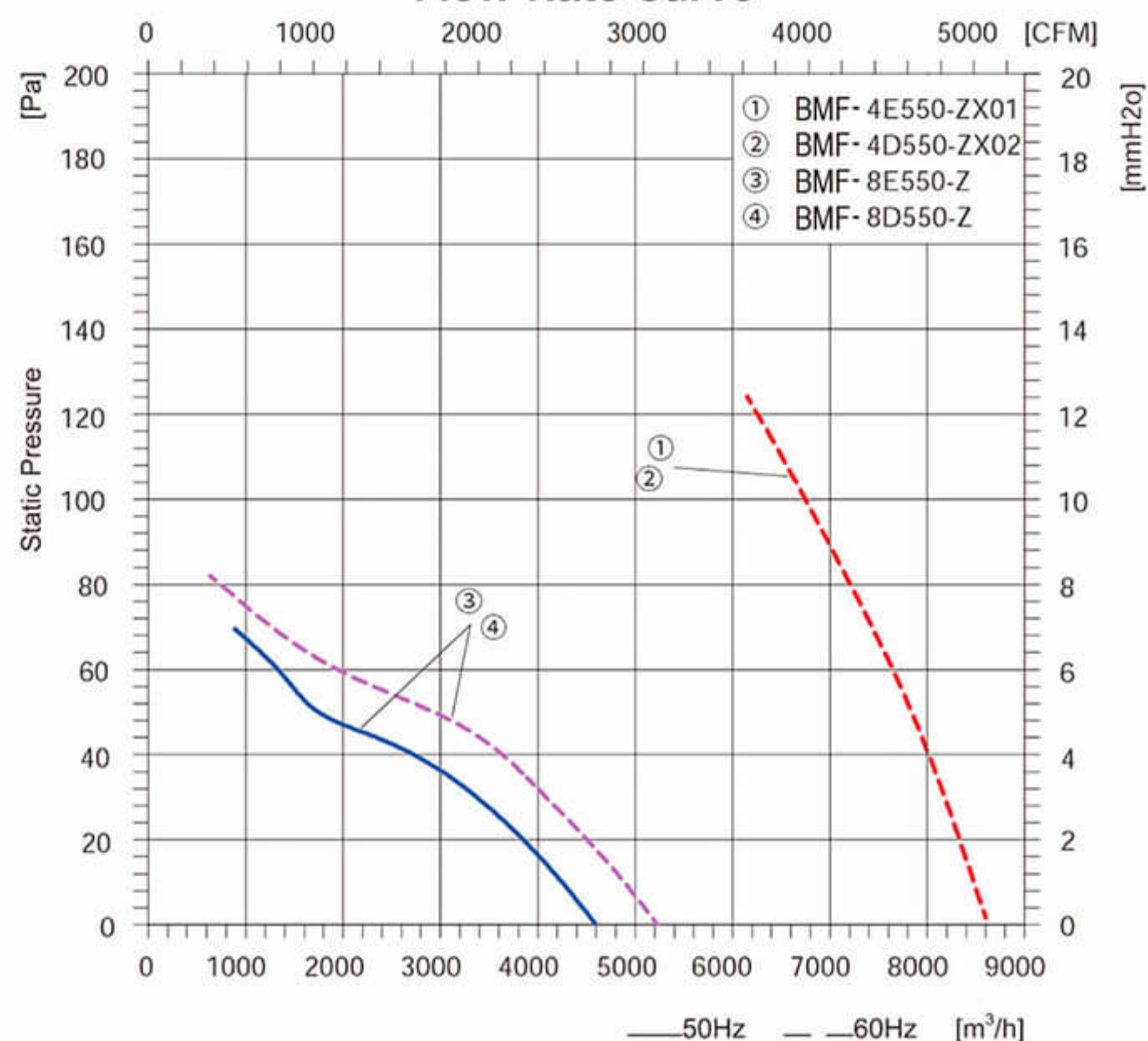


Model	Voltage (V)	Frequency (Hz)	Input Power (W)	Current (A)	Air Volume (m³/h)	Speed (r/min)	Capacitor (µF)	Noise [dB(A)]	Max Environmental Temperature(°C)	Weight (Kg)
BMF-4E550-Z	230	50	550	2.45	8500	1310	12	74	50	10.5
BMF-4D550-Z	380	50	650	1.2	8500	1300	-	74	50	10.5
BMF-6E550-Z	230	50/60	330/420	1.68/1.83	6200/7200	910/1080	10	67/68	60/50	10.5
BMF-6D550-Z	380	50/60	330/410	0.87	6200/7200	900/1070	-	67/68	60/50	10.5

AC Axial Fans $\Phi 550$

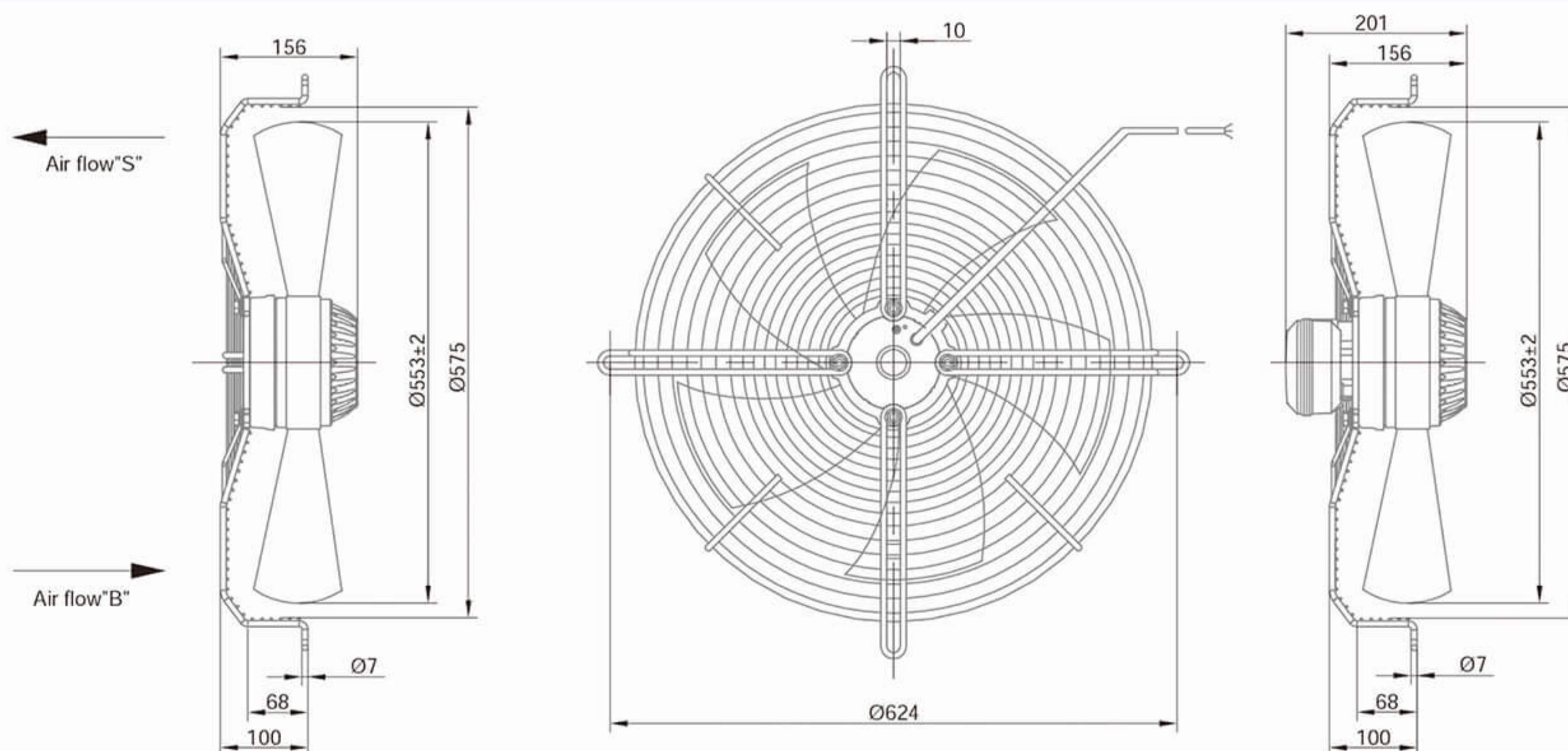


Flow Rate Curve



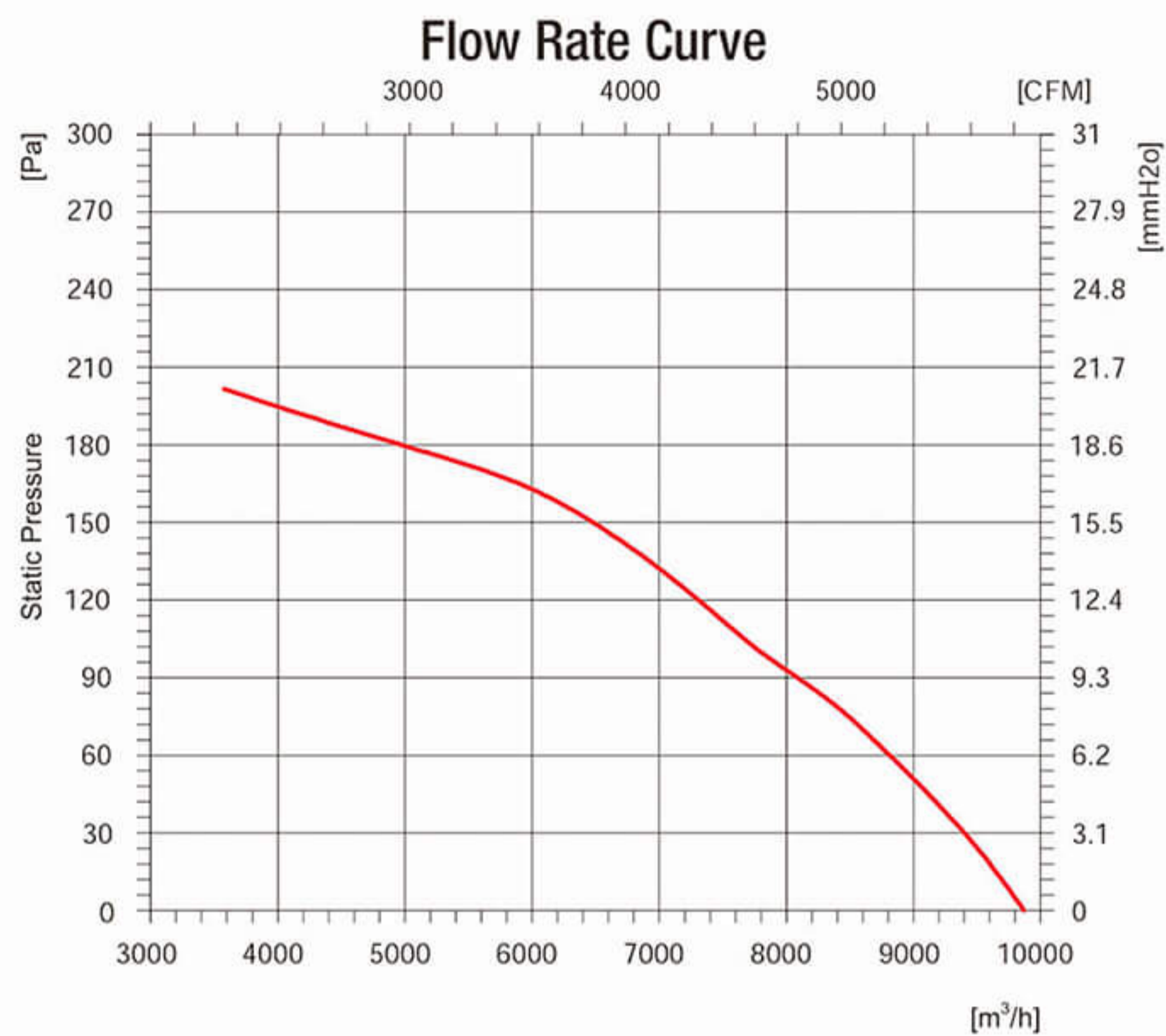
Product Characteristic

Motor technology: AC Outer rotor
 Mode of Operation: S1
 Protection Class: IP54
 Insulation Class: B/F
 Bearings: Maintenance-free ball bearings
 Blades Material: Cold rolled sheet steel
 Blades count: 5
 Air direction: seen on the leads



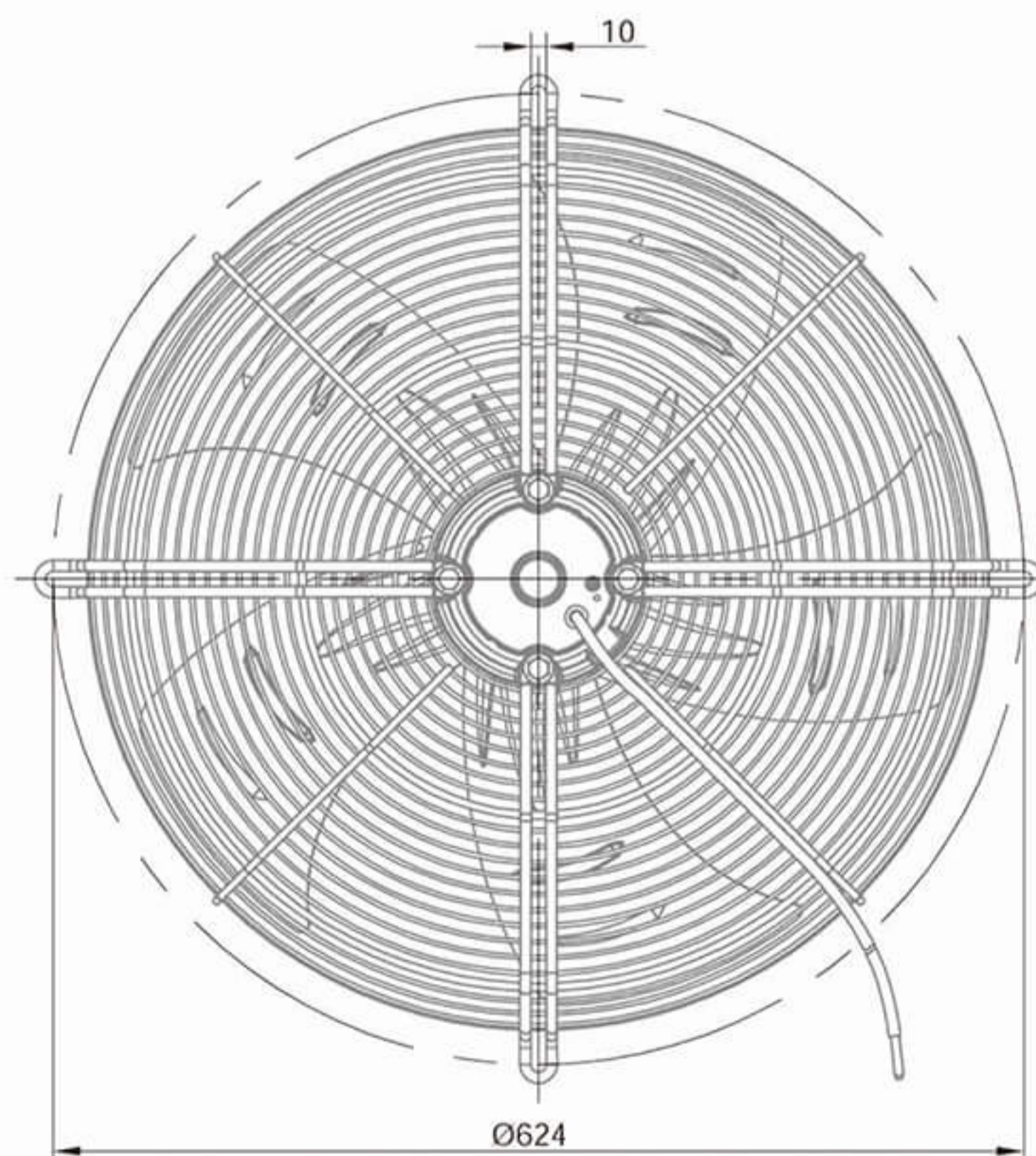
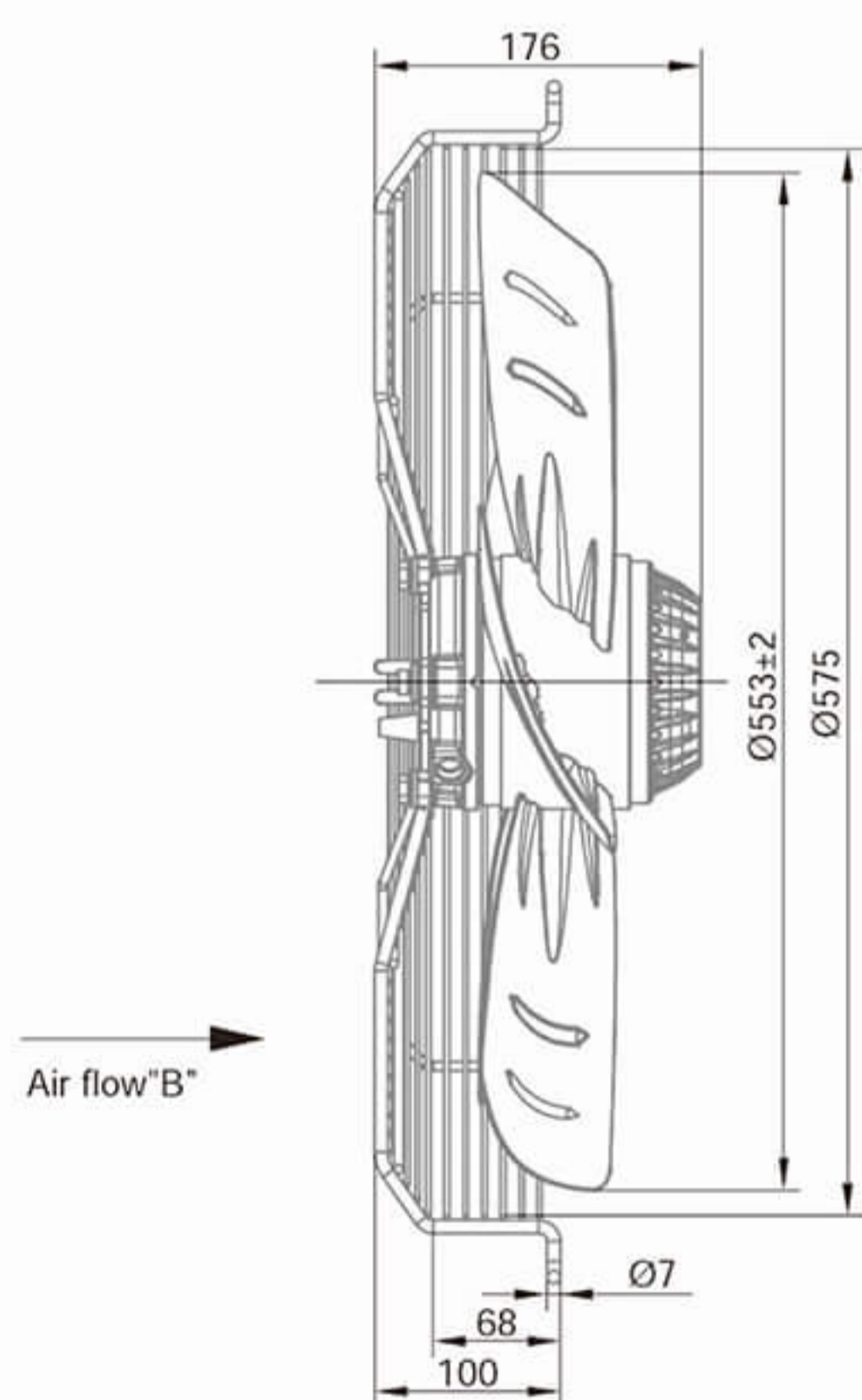
Model	Voltage (V)	Frequency (Hz)	Input Power (W)	Current (A)	Air Volume (m³/h)	Speed (r/min)	Capacitor (µF)	Noise [dB(A)]	Max Environmental Temperature(°C)	Weight (Kg)
BMF-4E550-ZX01	230	60	720	3.1	8750	1500	12	78	50	10.5
BMF-4D550-ZX02	380	60	750	1.25	8700	1500	-	78	50	10.5
BMF-8E550-Z	230	50/60	120/165	0.55/0.75	4500/5150	630/730	4	65/67	60	10.5
BMF-8D550-Z	380	50/60	160/200	0.41/0.43	4550/5200	630/730	-	65/67	60	10.5

AC Axial Fans $\Phi 550$



Product Characteristic

Motor technology:	AC Outer rotor
Mode of Operation:	S1
Protection Class:	IP54
Insulation Class:	B/F
Bearings:	Maintenance-free ball bearings
Blades Material:	Cold rolled sheet steel
Blades count:	5
Air direction:	seen on the leads



Model	Voltage (V)	Frequency (Hz)	Input Power (W)	Current (A)	Air Volume (m³/h)	Speed (r/min)	Capacitor (μF)	Noise [dB(A)]	Max Environmental Temperature(°C)	Weight (Kg)
BMF- 4D550-ZX07	380	50	800	1.65	9800	1350	-	75	50	11.0

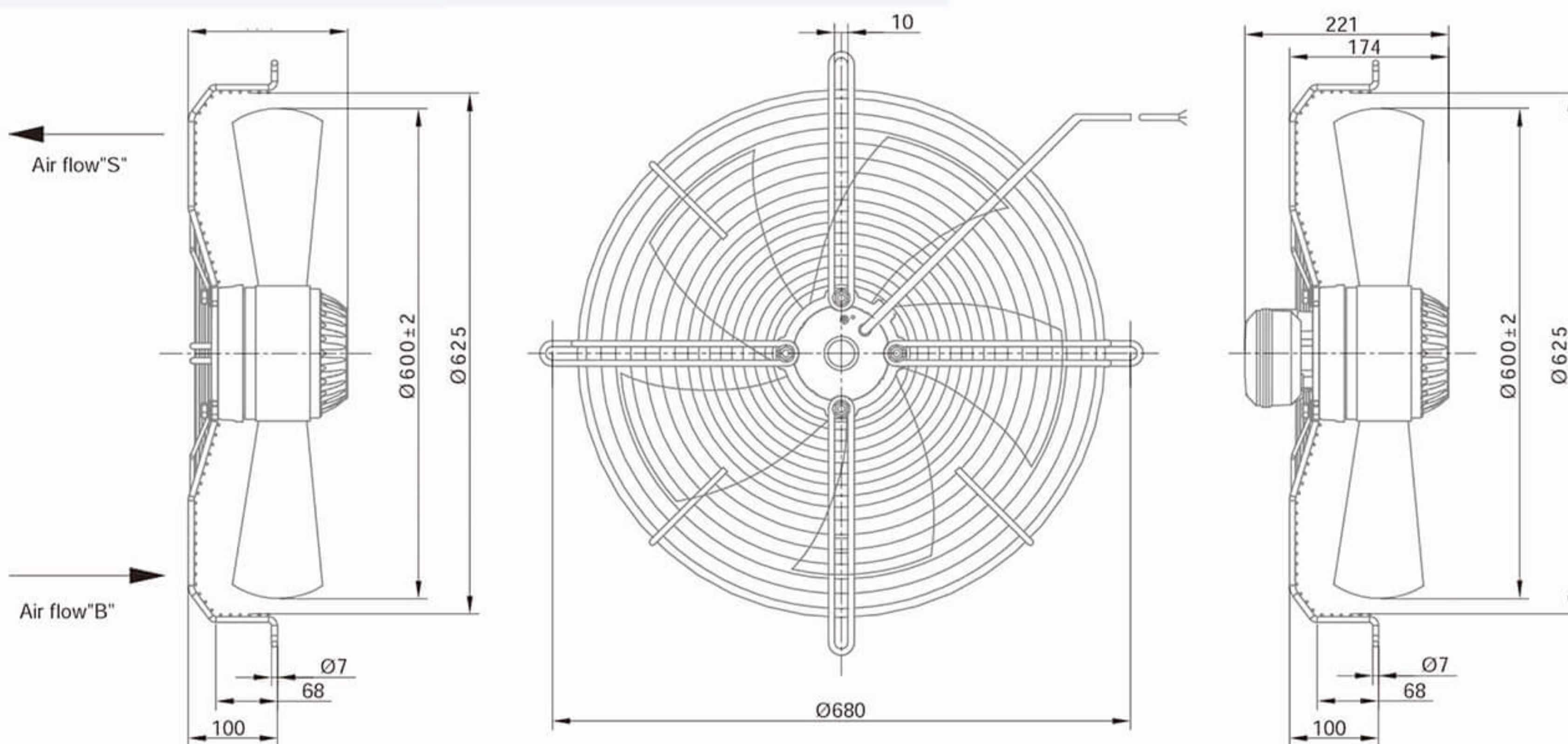
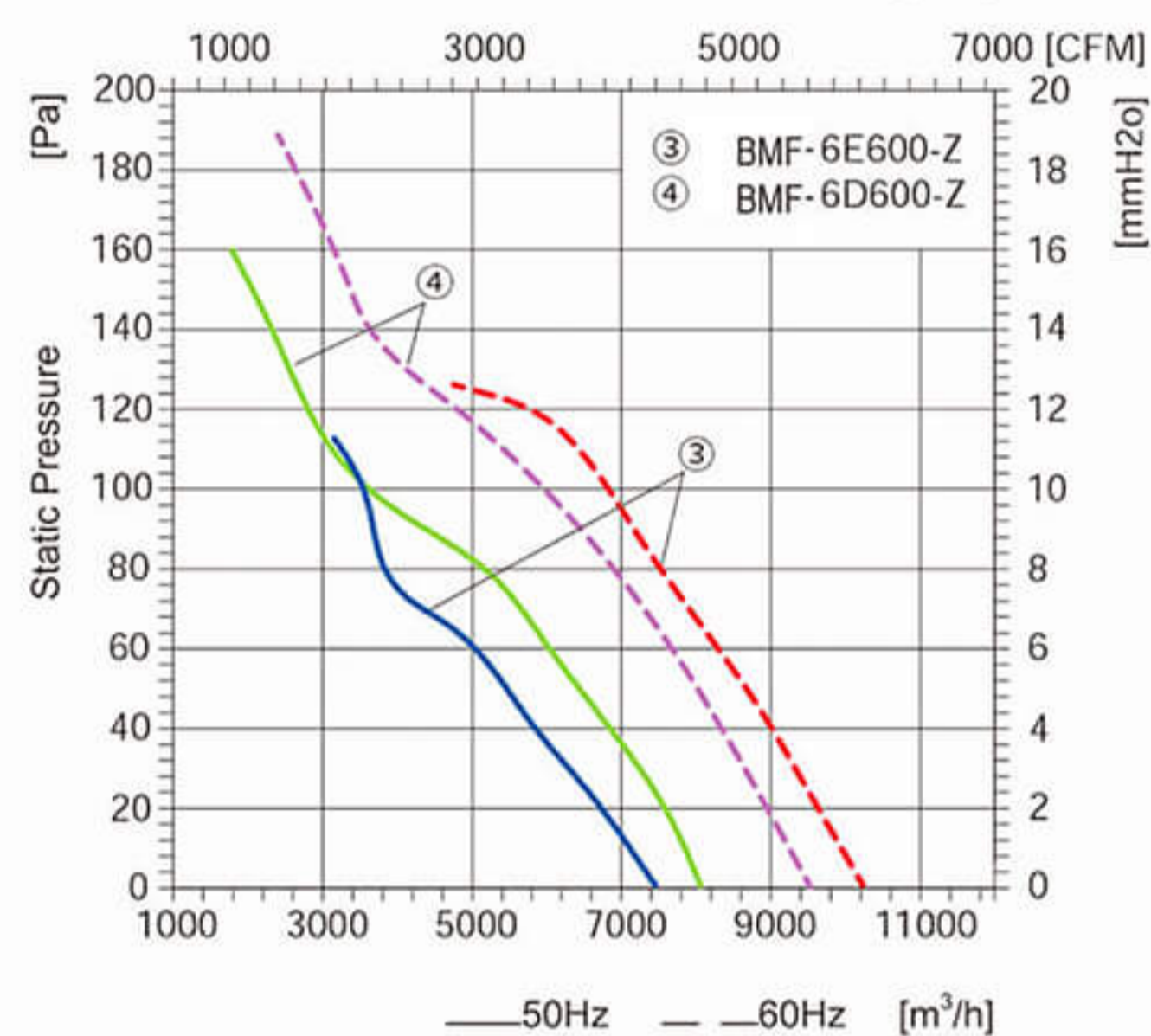
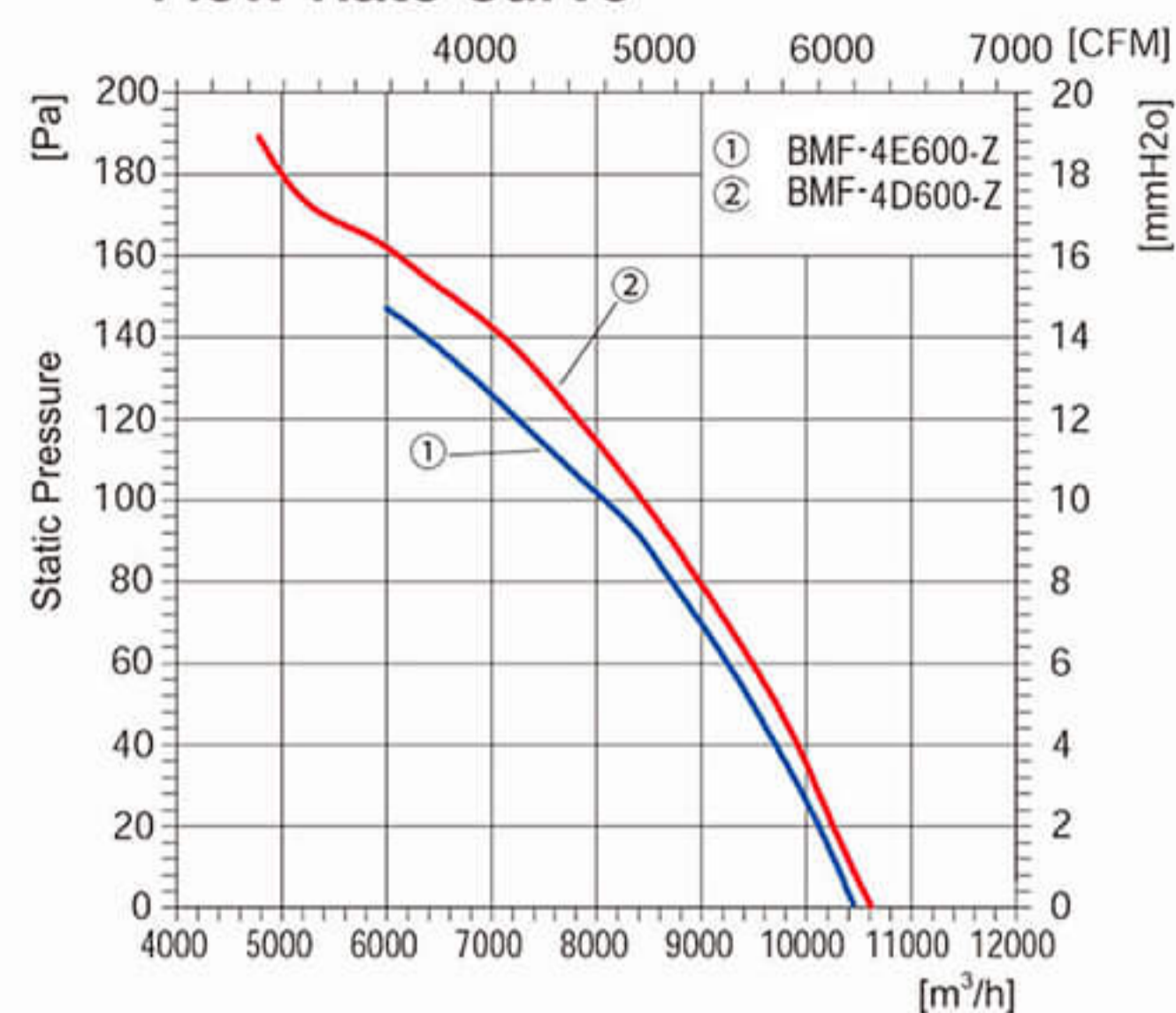
AC Axial Fans $\Phi 600$



Product Characteristic

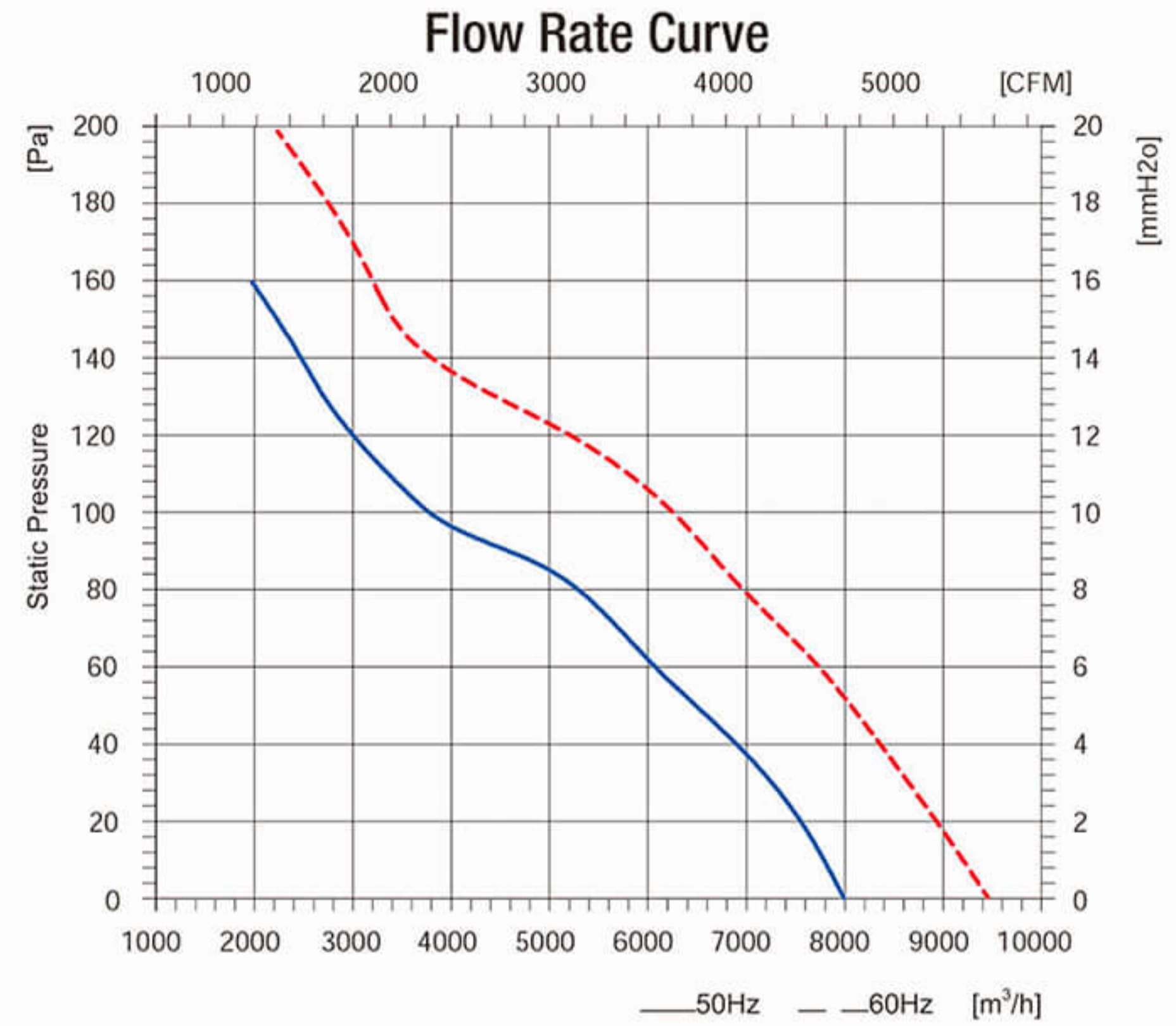
Motor technology: AC Outer rotor
 Mode of Operation: S1
 Protection Class: IP54
 Insulation Class: B/F
 Bearings: Maintenance-free ball bearings
 Blades Material: Cold rolled sheet steel
 Blades count: 5
 Air direction: seen on the leads

Flow Rate Curve



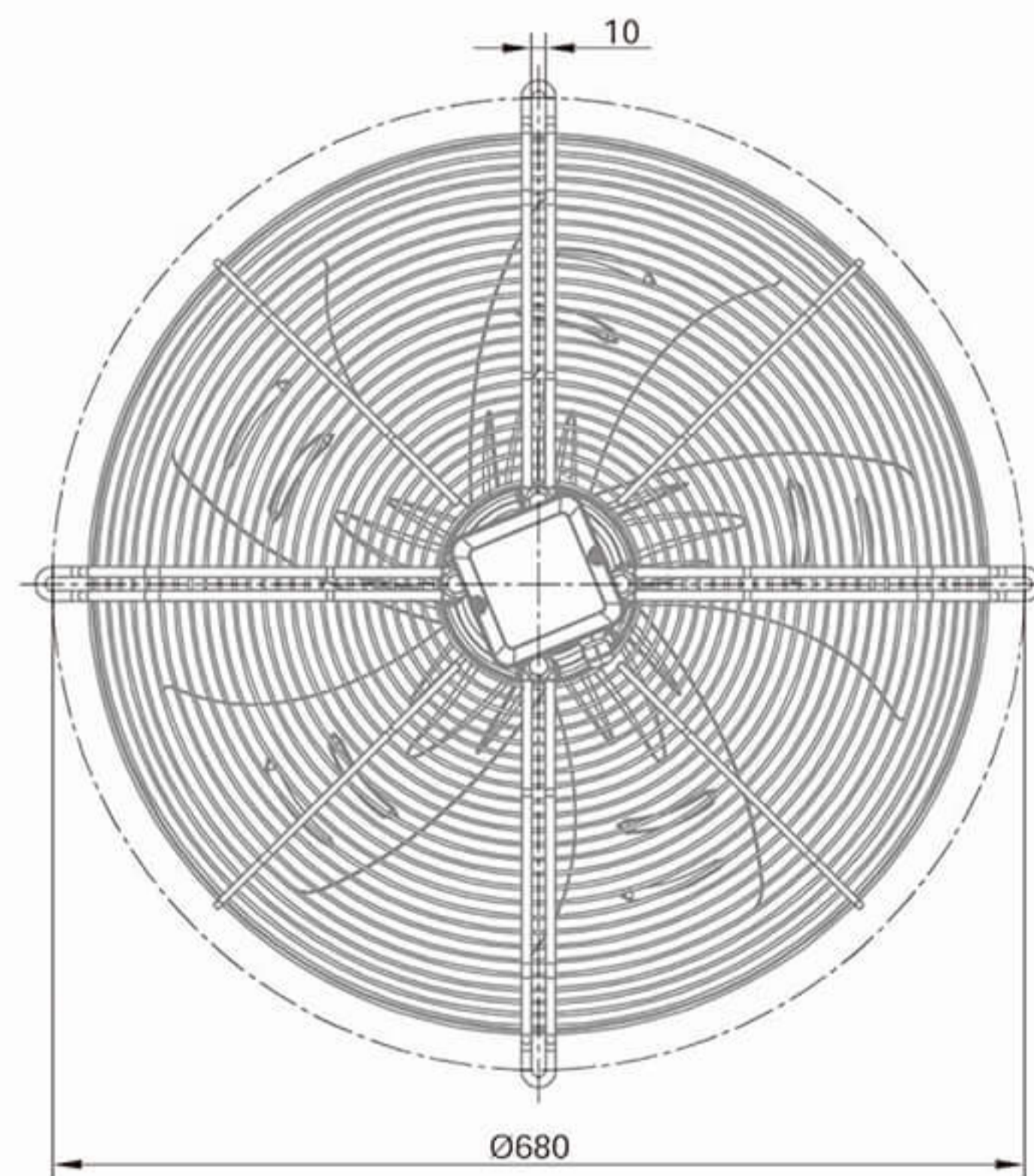
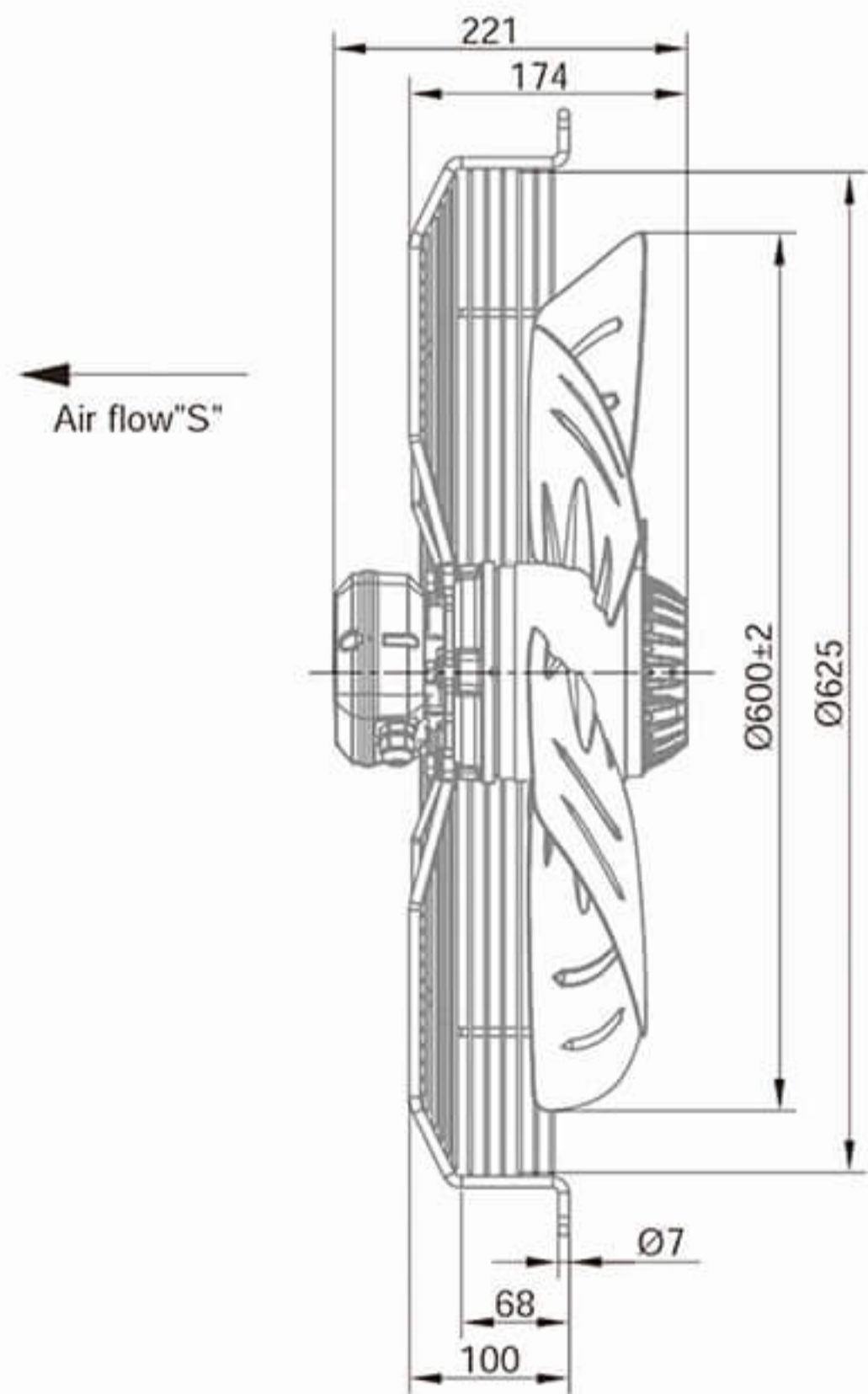
Model	Voltage (V)	Frequency (Hz)	Input Power (W)	Current (A)	Air Volume (m³/h)	Speed (r/min)	Capacitor (µF)	Noise [dB(A)]	Max Environmental Temperature(°C)	Weight (Kg)
BMF-4E600-Z	230	50	810	3.5	10300	1315	16	76	50	15.0
BMF-4D600-Z	380	50	860	1.95	10800	1365	-	79	50	15.0
BMF-6E600-Z	230	50/60	500/600	2.2/2.8	7500/9250	900/1030	14	70/71	50	15.0
BMF-6D600-Z	380	50/60	550/600	1.57/1.3	8100/9500	920/1070	-	70/72	50	15.0

AC Axial Fans $\Phi 600$



Product Characteristic

Motor technology: AC Outer rotor
 Mode of Operation: S1
 Protection Class: IP54
 Insulation Class: B/F
 Bearings: Maintenance-free ball bearings
 Blades Material: Cold rolled sheet steel
 Blades count: 5
 Air direction: seen on the leads



Model	Voltage (V)	Frequency (Hz)	Input Power (W)	Current (A)	Air Volume (m³/h)	Speed (r/min)	Capacitor (µF)	Noise [dB(A)]	Max Environmental Temperature(°C)	Weight (Kg)
BMF-6T600-ZX01-S5A	230/380 Δ/Y	50/60	550/600	2.7/2.3 1.57/1.3	8100/9500	920/1070	-	70/72	50	15.0

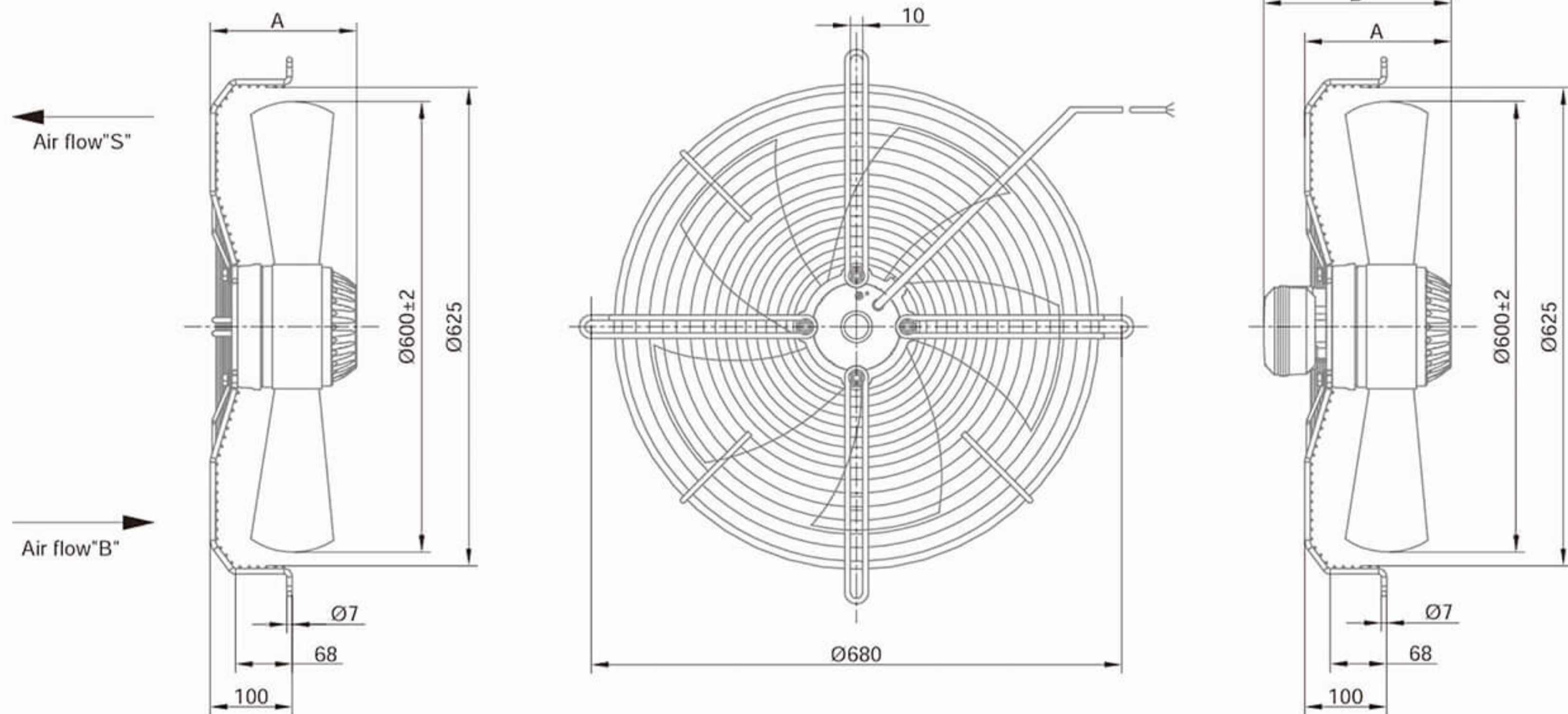
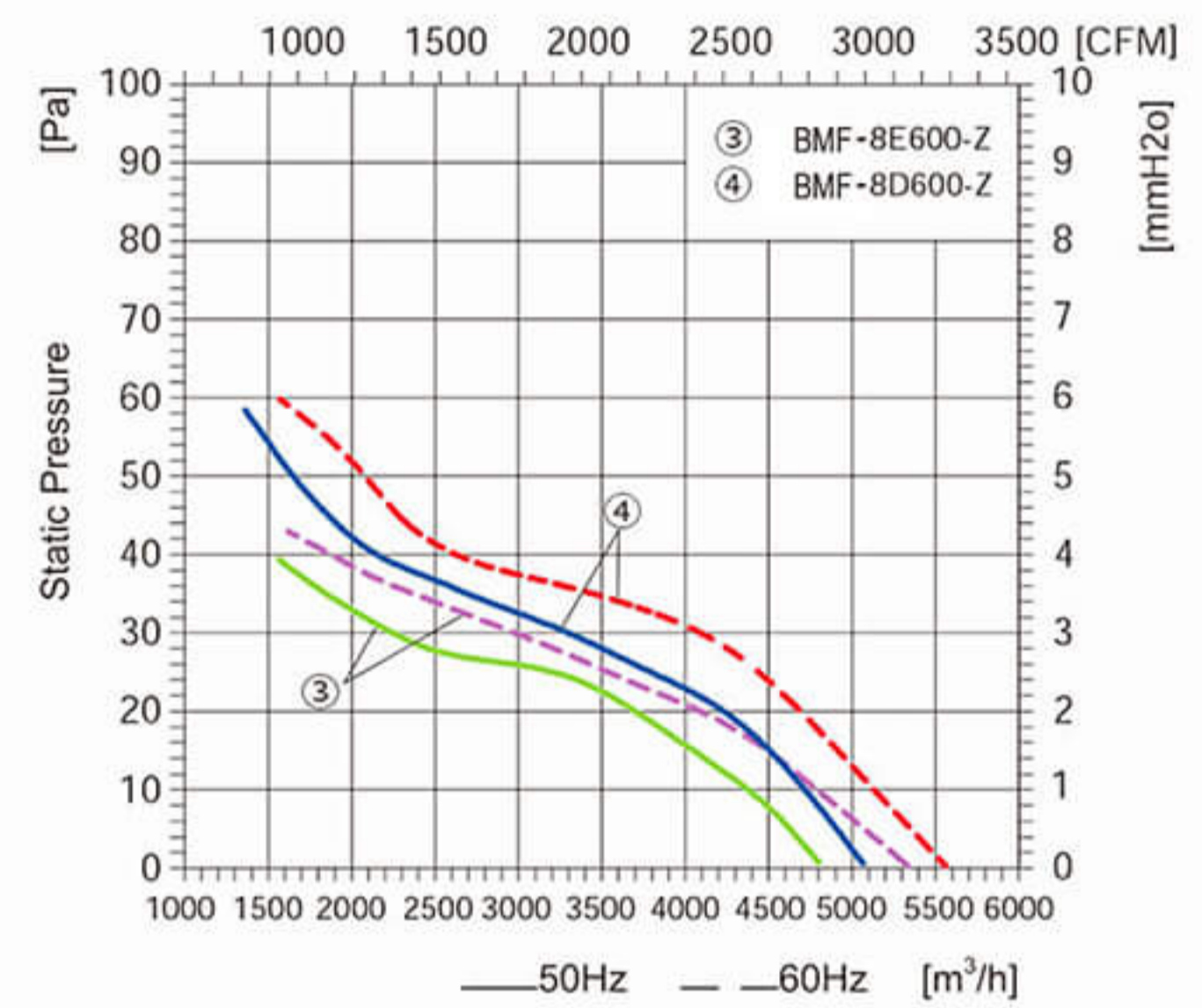
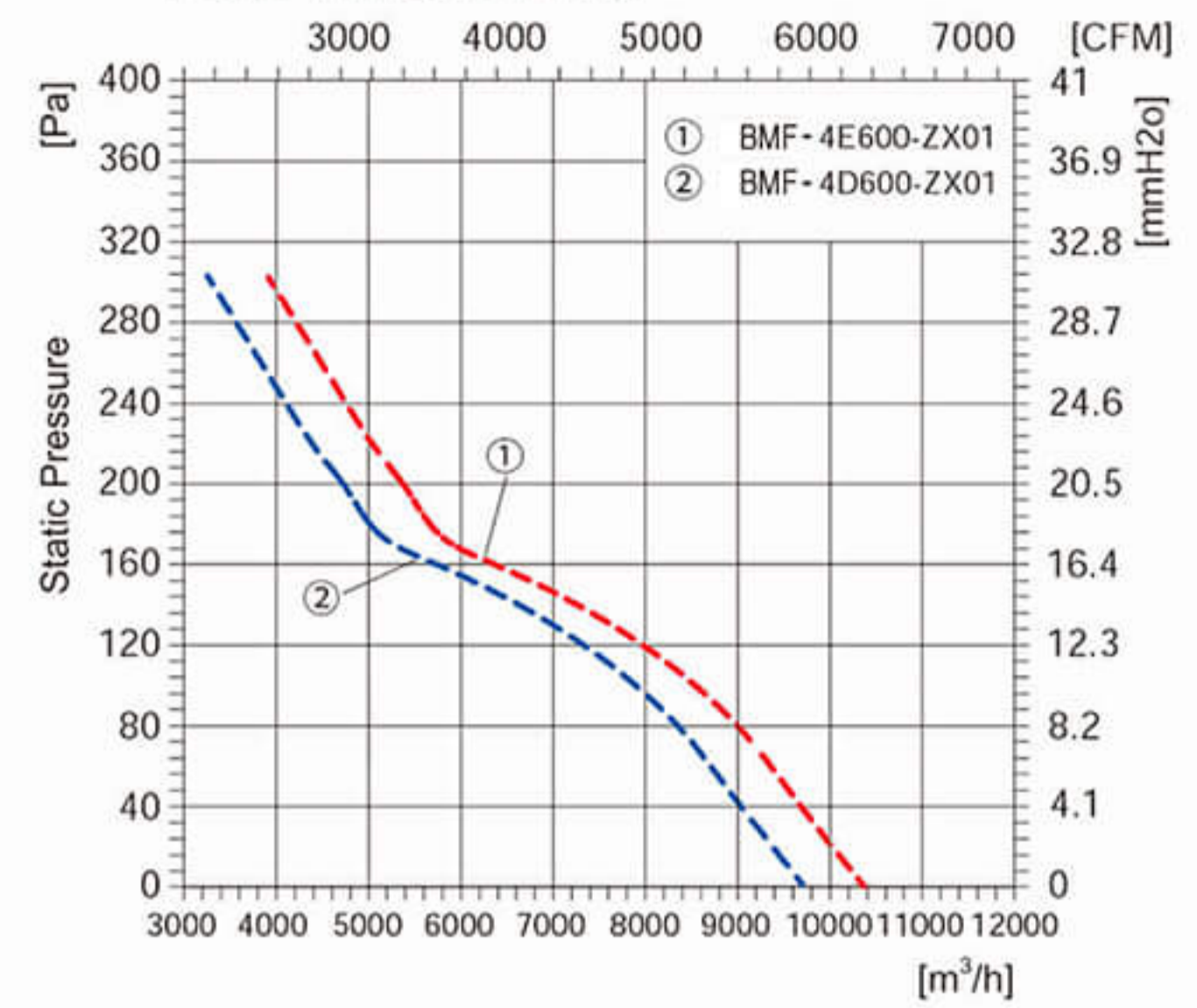
AC Axial Fans Φ600



Product Characteristic

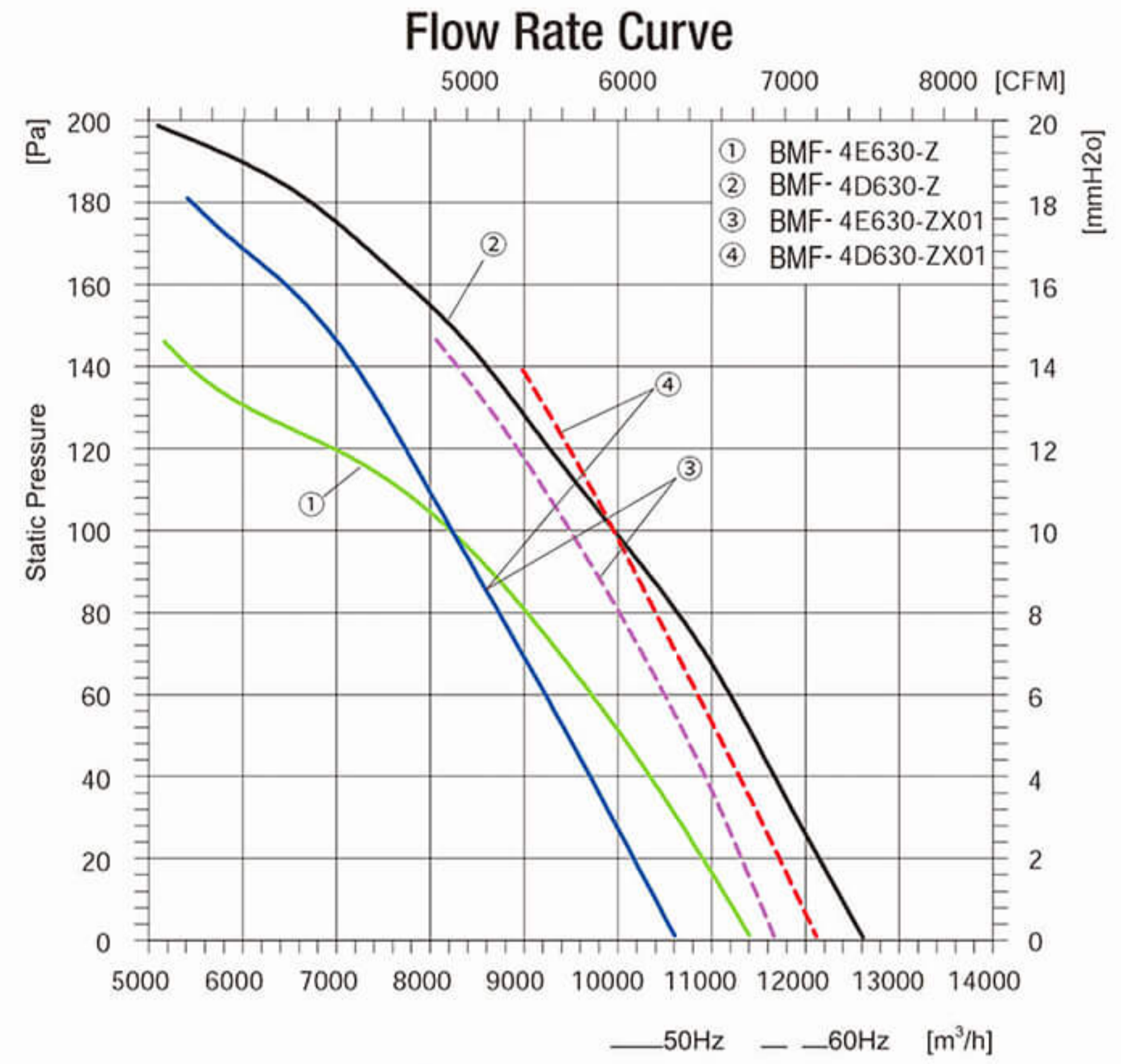
Motor technology: AC Outer rotor
 Mode of Operation: S1
 Protection Class: IP54
 Insulation Class: B/F
 Bearings: Maintenance-free ball bearings
 Blades Material: Cold rolled sheet steel
 Blades count: 5
 Air direction: seen on the leads

Flow Rate Curve



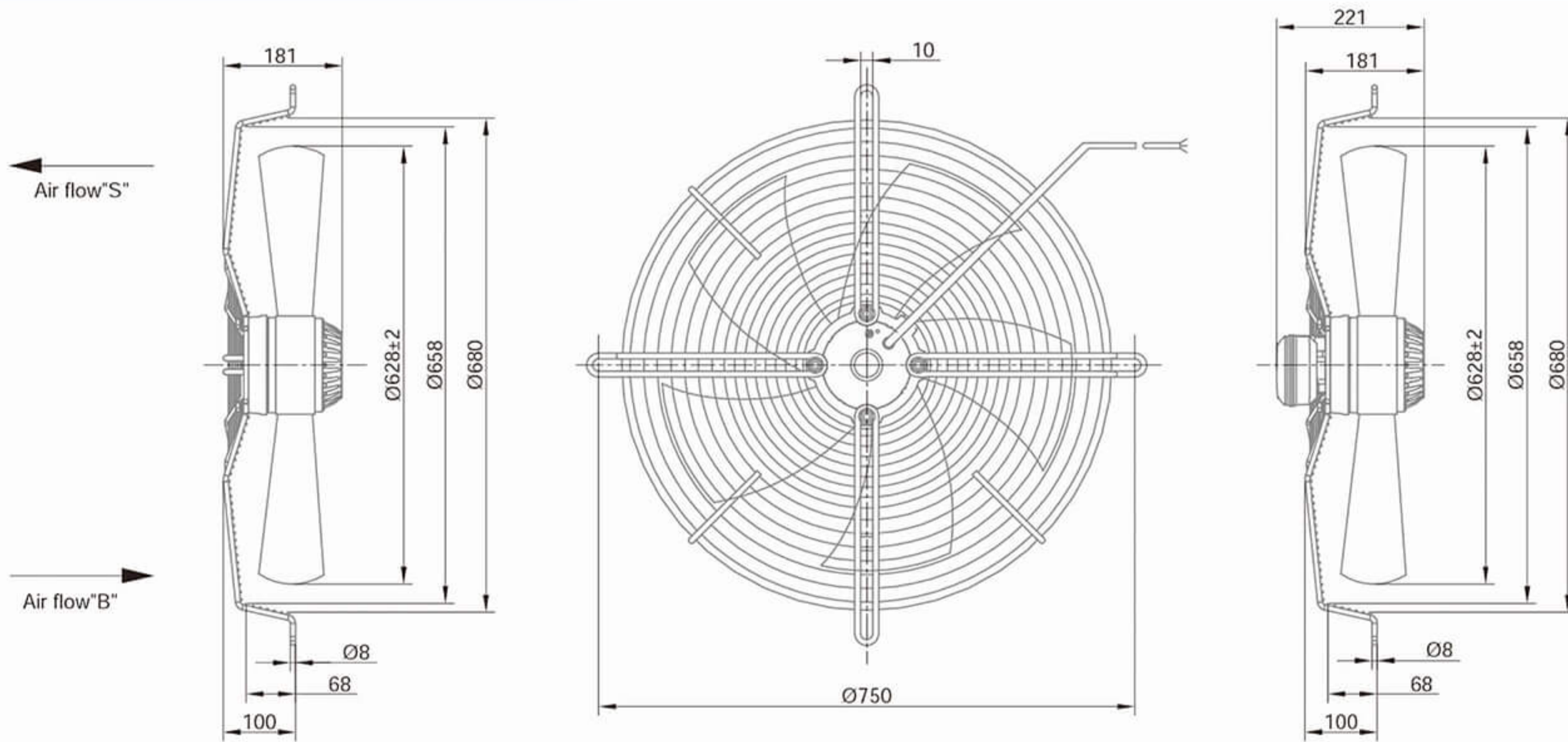
Model	Voltage (V)	Frequency (Hz)	Input Power (W)	Current (A)	Air Volume (m³/h)	Speed (r/min)	Capacitor (µF)	Noise [dB(A)]	Max Environmental Temperature(°C)	Weight (Kg)		
BMF-4E600-ZX01	230	60	950	4.15	10650	1550	16	79	50	15.0	174	221
BMF-4D600-ZX01	380	60	950	1.7	10800	1580	-	79	50	15.0	174	221
BMF-8E600-Z	230	50/60	200/250	1.0/1.1	5200/5800	650/710	7	69/70	60	12.5	154	201
BMF-8D600-Z	380	50/60	160/200	0.40/0.45	5100/5700	630/680	-	68/69	60	12.5	154	201

AC Axial Fans $\Phi 630$



Product Characteristic

Motor technology: AC Outer rotor
 Mode of Operation: S1
 Protection Class: IP54
 Insulation Class: B/F
 Bearings: Maintenance-free ball bearings
 Blades Material: Cold rolled sheet steel
 Blades count: 5
 Air direction: seen on the leads

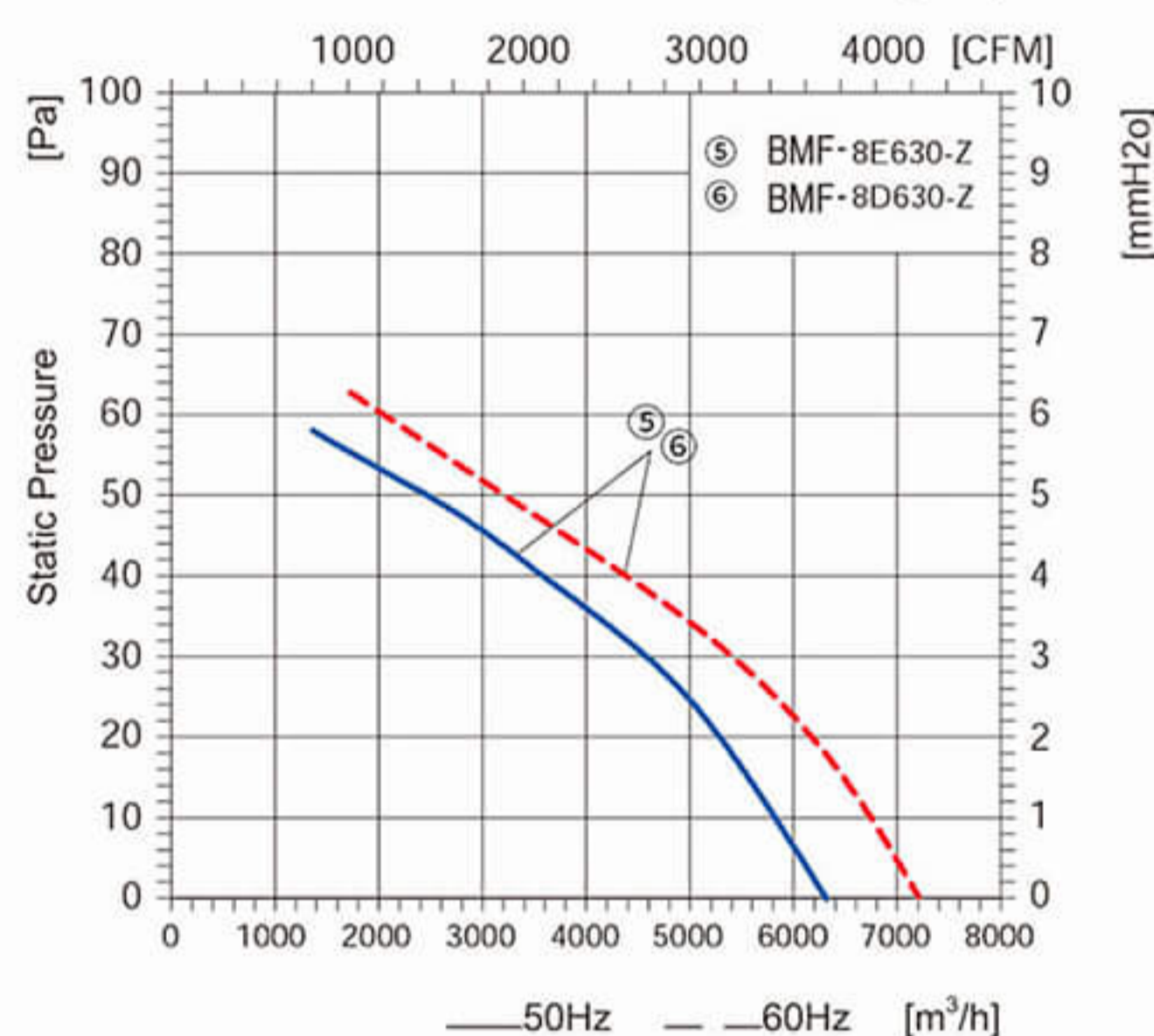
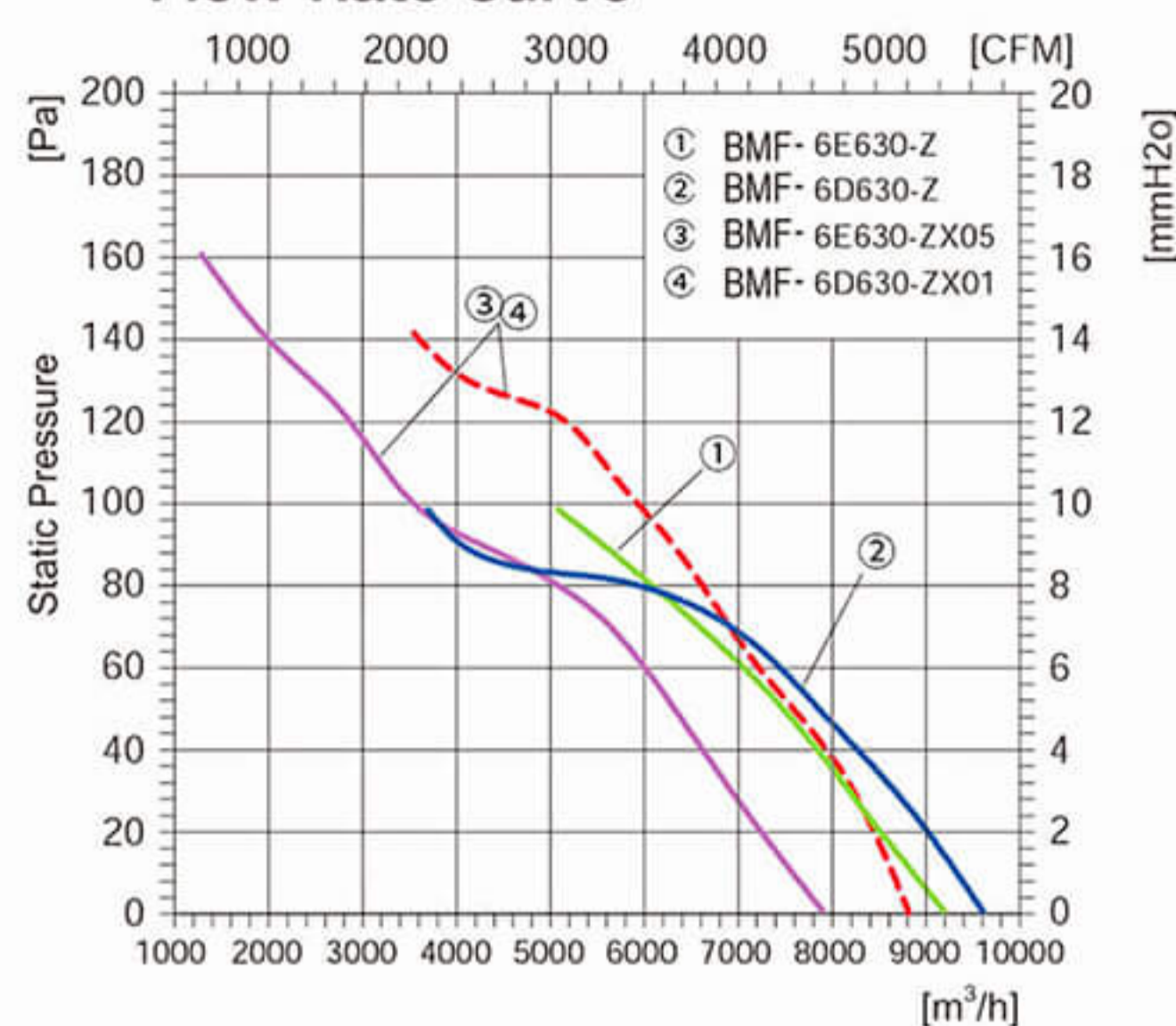


Model	Voltage (V)	Frequency (Hz)	Input Power (W)	Current (A)	Air Volume (m³/h)	Speed (r/min)	Capacitor (μ F)	Noise [dB(A)]	Max Environmental Temperature (°C)	Weight (Kg)
BMF- 4E630-Z	230	50	810	3.5	12500	1315	16	78	50	15.0
BMF- 4D630-Z	380	50	860	1.95	13000	1365	-	81	50	15.0
BMF- 4E630-ZX01	230	60	950	4.15	12500	1550	16	81	50	15.0
BMF- 4D630-ZX01	380	60	950	1.7	12500	1580	-	81	50	15.0

AC Axial Fans $\Phi 630$

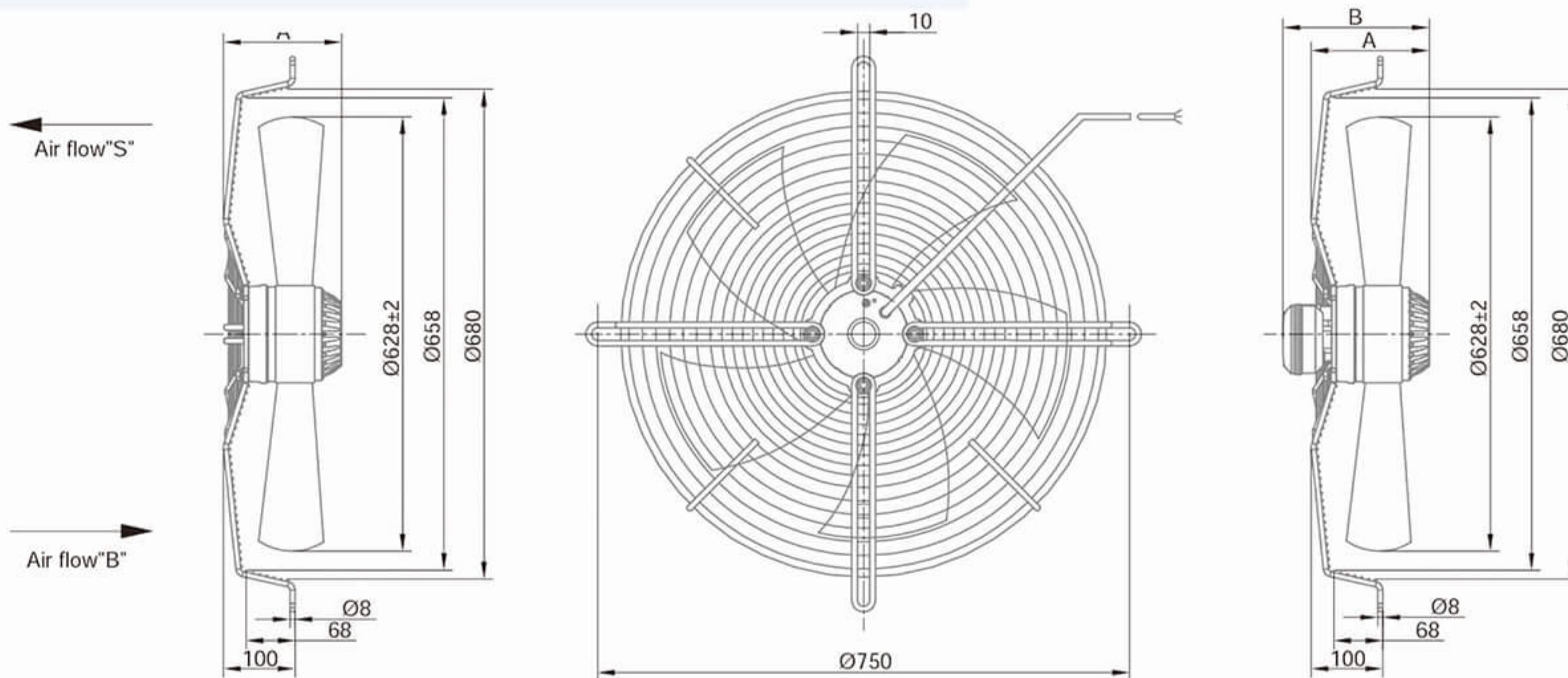


Flow Rate Curve



Product Characteristic

Motor technology: AC Outer rotor
 Mode of Operation: S1
 Protection Class: IP54
 Insulation Class: B/F
 Bearings: Maintenance-free ball bearings
 Blades Material: Cold rolled sheet steel
 Blades count: 5
 Air direction: seen on the leads

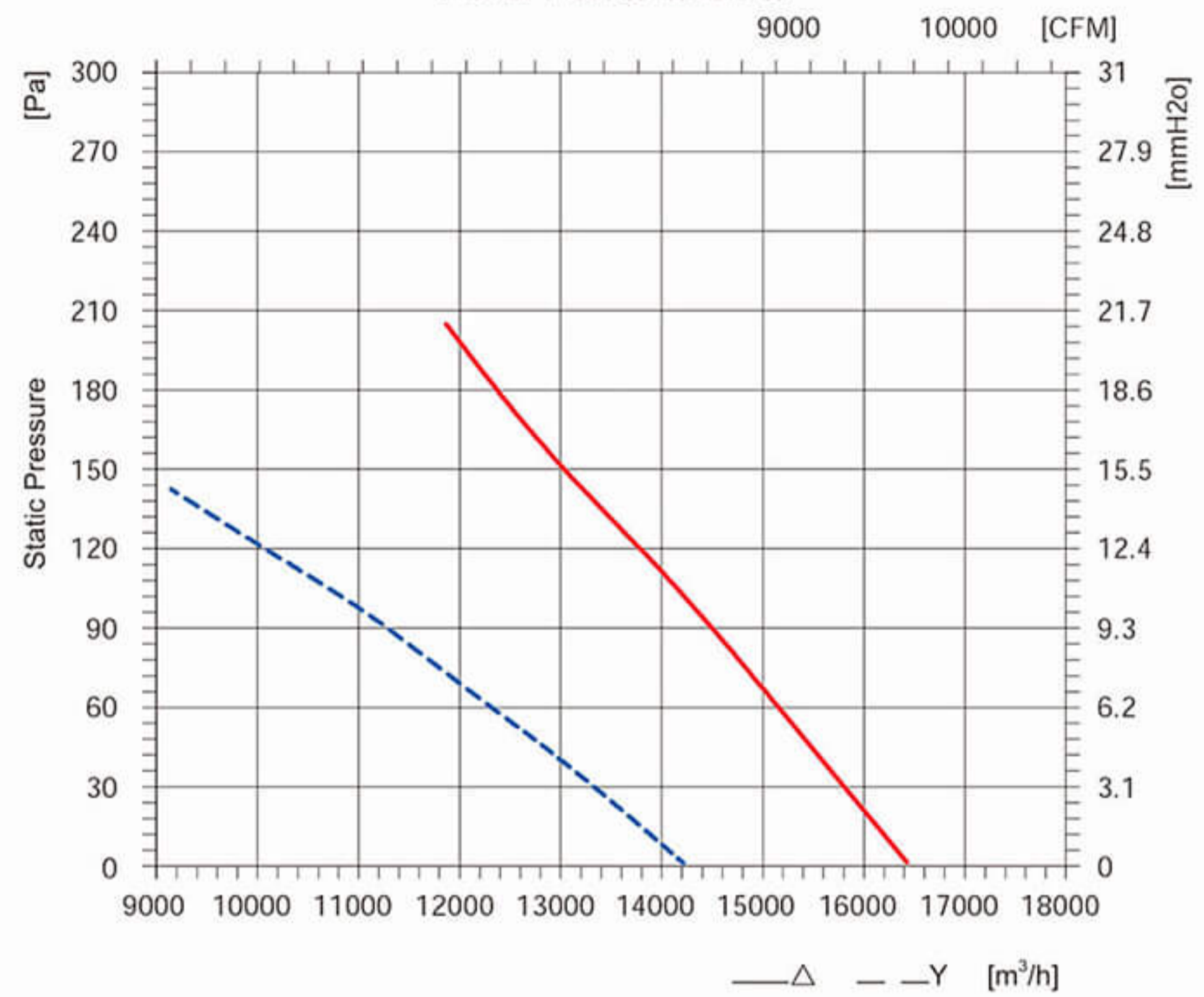


Model	Voltage (V)	Frequency (Hz)	Input Power (W)	Current (A)	Air Volume (m³/h)	Speed (r/min)	Capacitor (µF)	Noise [dB(A)]	Max Environmental Temperature(°C)	Weight (Kg)		
BMF-6E630-Z	230	50	500	2.2	9600	930	14	75	50	15.0	181	221
BMF-6D630-Z	380	50	550	1.57	9580	920	-	75	50	15.0	181	221
BMF-6E630-ZX05	230	60	580	2.6	9000	1050	14	76	60	15.0	181	221
BMF-6D630-ZX01	380	60	550	1.3	9000	1100	-	76	60	15.0	181	221
BMF-8E630-Z	230	50/60	200/250	1.0/1.1	6200/7000	650/710	7	70/71	60	13.2	161	201
BMF-8D630-Z	380	50/60	160/200	0.41/0.45	6100/6900	630/680	-	69/70	60	13.2	161	201

AC Axial Fans $\Phi 630$

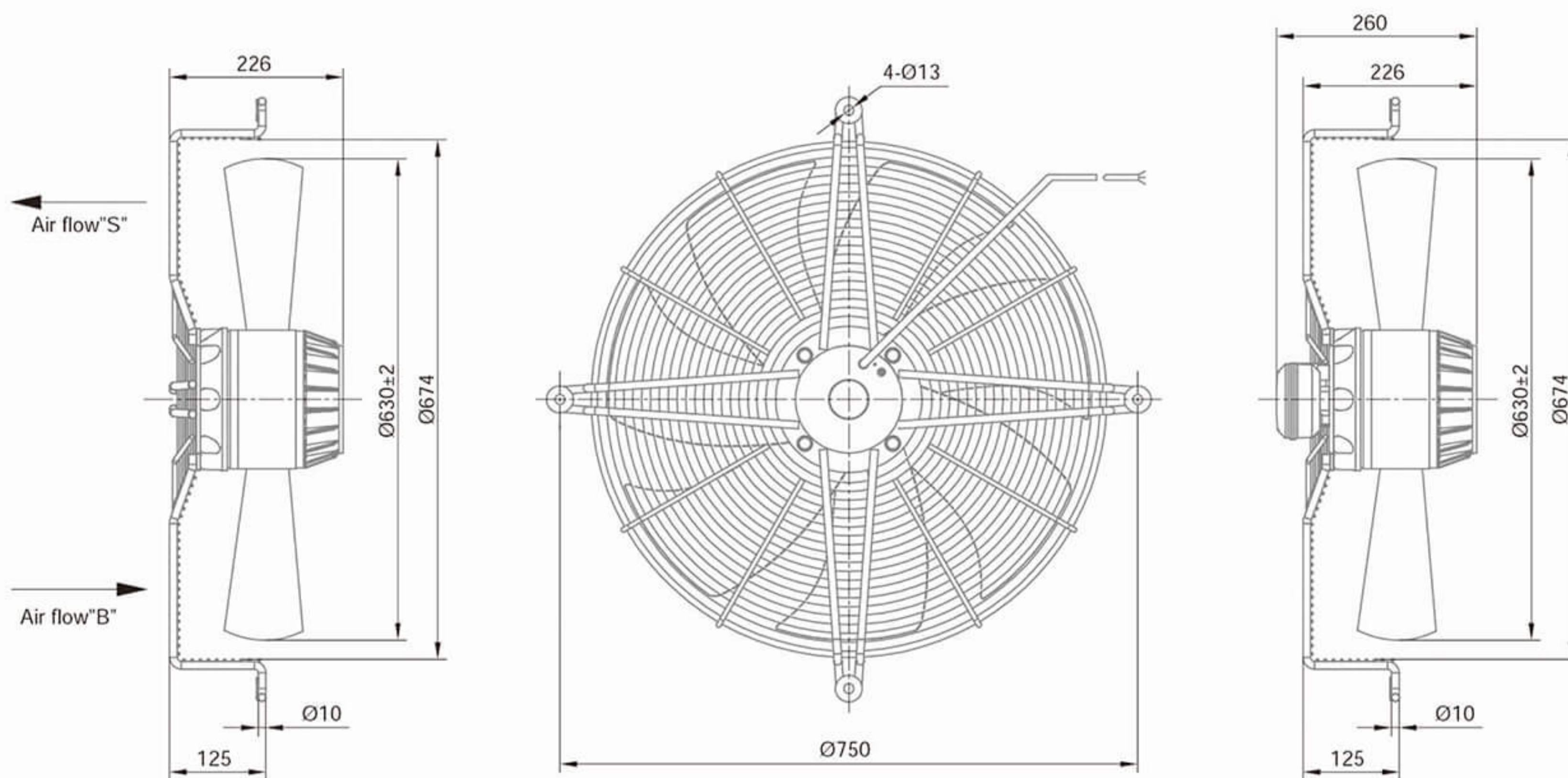


Flow Rate Curve



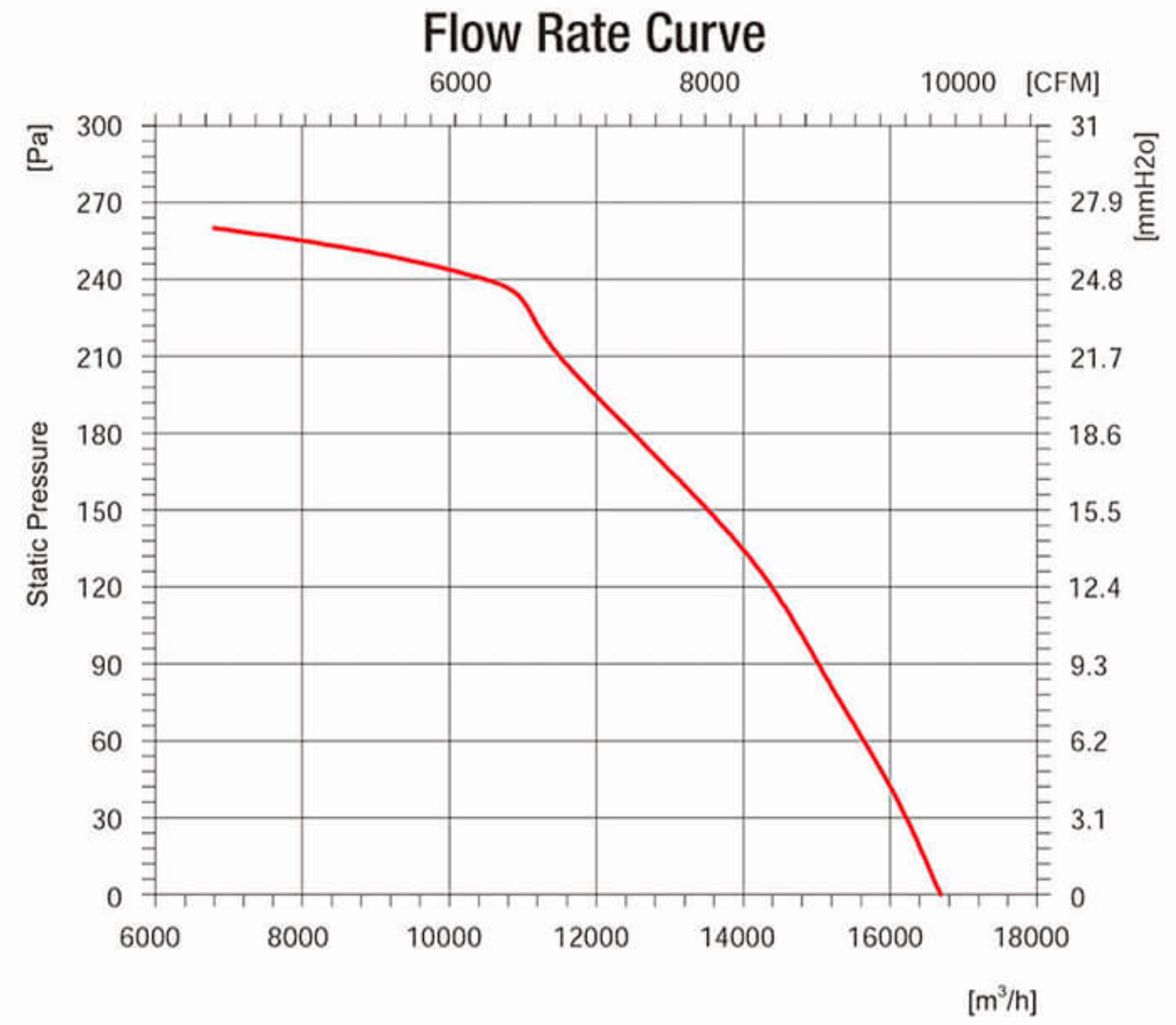
Product Characteristic

- Motor technology: AC Outer rotor
- Mode of Operation: S1
- Protection Class: IP54
- Insulation Class: F
- Bearings: Maintenance-free ball bearings
- Blades Material: Cold rolled sheet steel
- Blades count: 7
- Air direction: seen on the leads



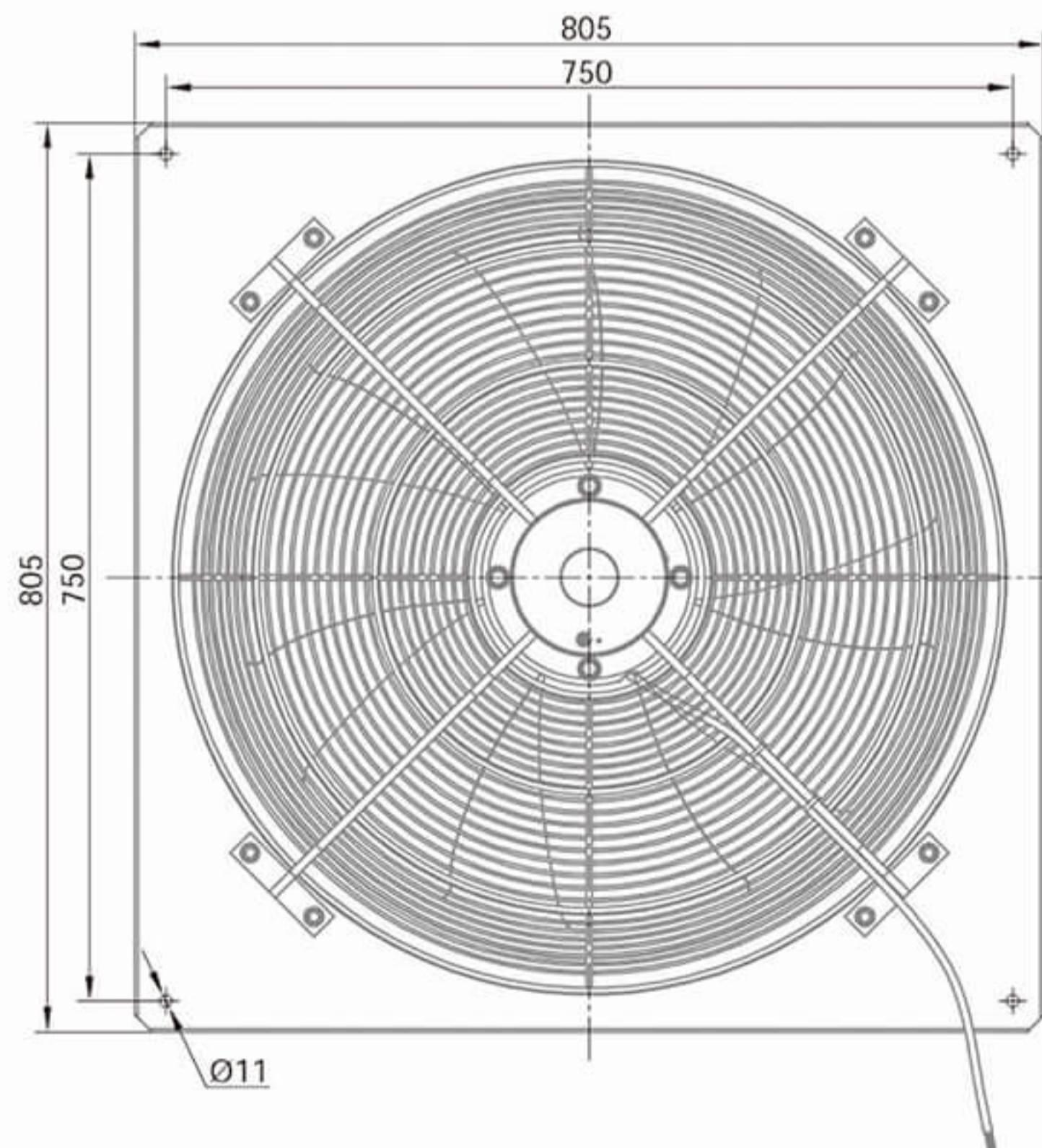
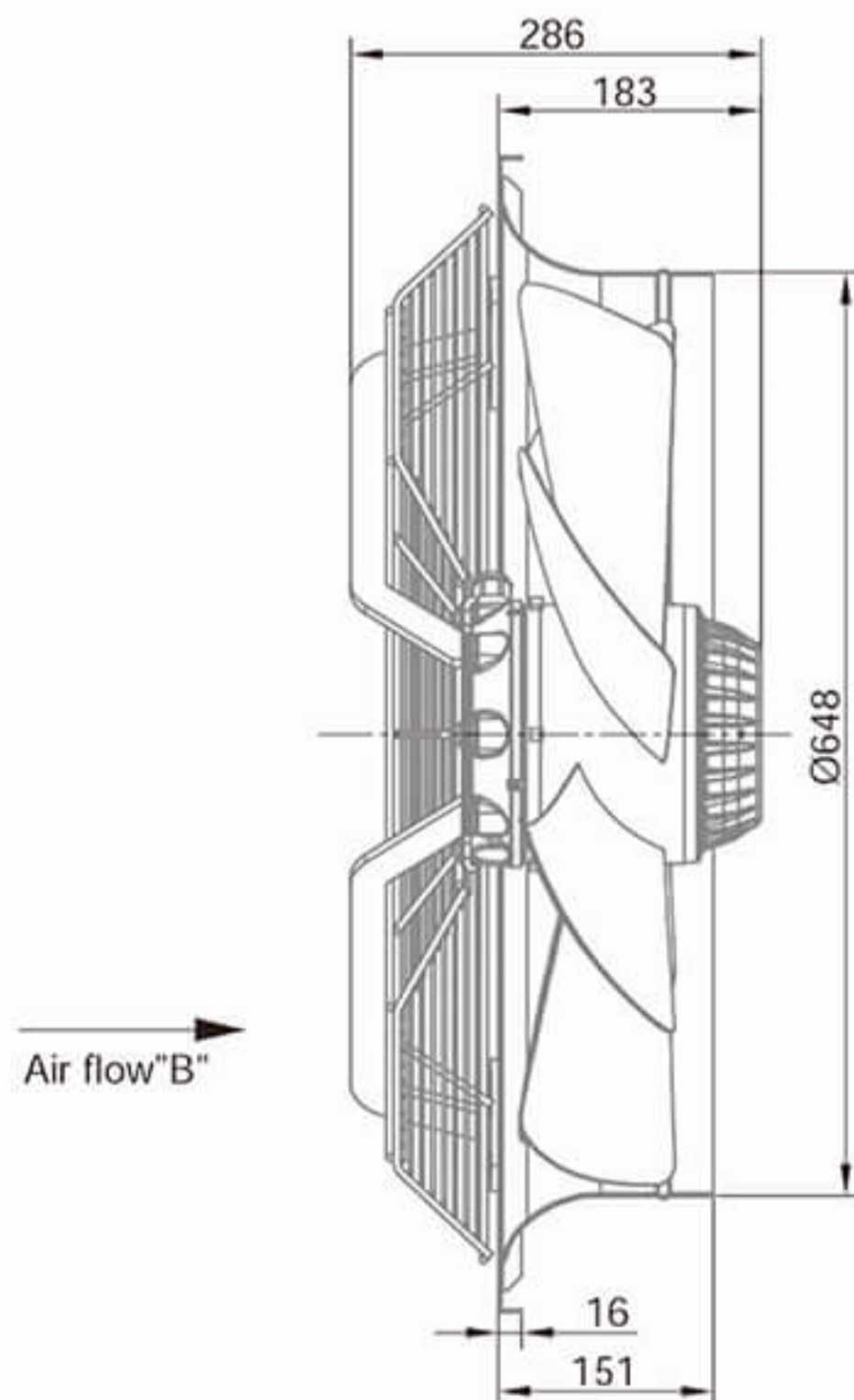
Model	Voltage (V)	Frequency (Hz)	Input Power (W)	Current (A)	Air Volume (m ³ /h)	Speed (r/min)	Capacitor (μ F)	Noise [dB(A)]	Max Environmental Temperature(°C)	Weight (Kg)
BMF-4D630-Z-B	400 Δ/Y	50	1900/1400	3.5/2.3	15300/11900	1350/1050	-	81/76	50	22.0

AC Axial Fans $\Phi 630$



Product Characteristic

Motor technology: AC Outer rotor
 Mode of Operation: S1
 Protection Class: IP54
 Insulation Class: F
 Bearings: Maintenance-free ball bearings
 Blades Material: Cold rolled sheet steel
 Blades count: 7
 Air direction: seen on the leads

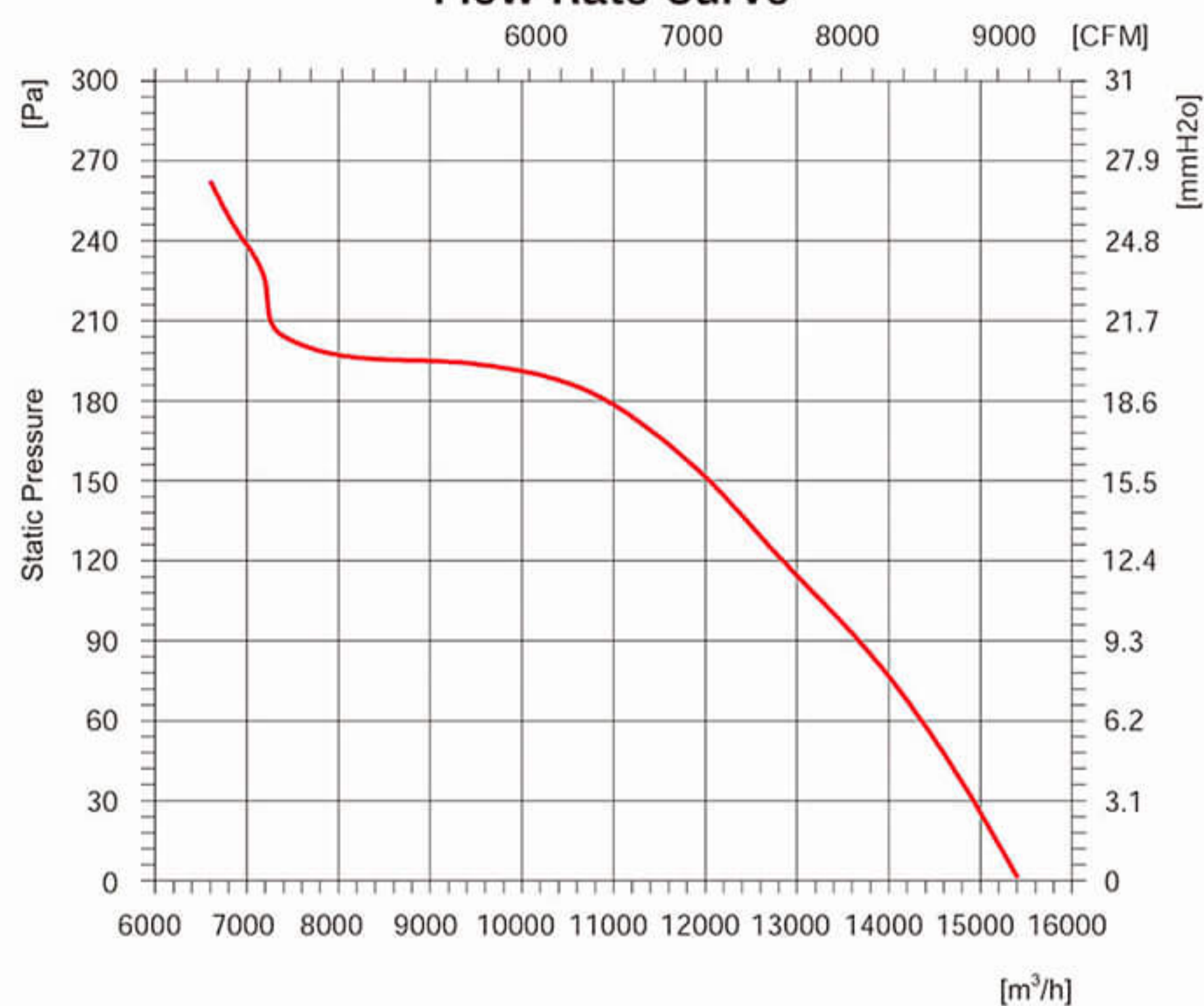


Model	Voltage (V)	Frequency (Hz)	Input Power (W)	Current (A)	Air Volume (m³/h)	Speed (r/min)	Capacitor (µF)	Noise [dB(A)]	Max Environmental Temperature(°C)	Weight (Kg)
BMF-4D630-ZF61-B7B	380	50	2000	4.2	16700	1410	-	83	70	36.0

AC Axial Fans $\Phi 630$

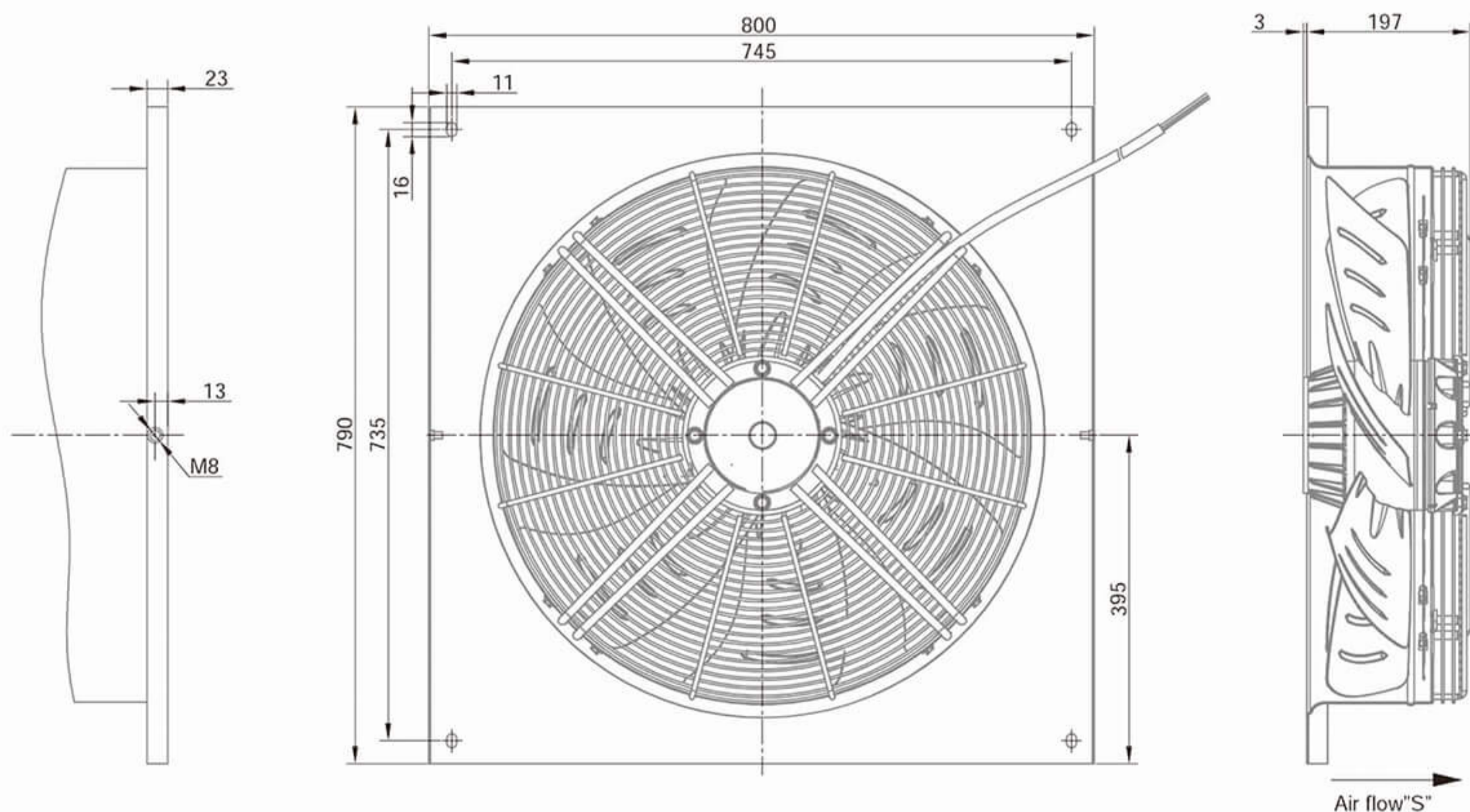


Flow Rate Curve



Product Characteristic

Motor technology: AC Outer rotor
 Mode of Operation: S1
 Protection Class: IP54
 Insulation Class: F
 Bearings: Maintenance-free ball bearings
 Blades Material: Cold rolled sheet steel
 Blades count: 7
 Air direction: seen on the leads

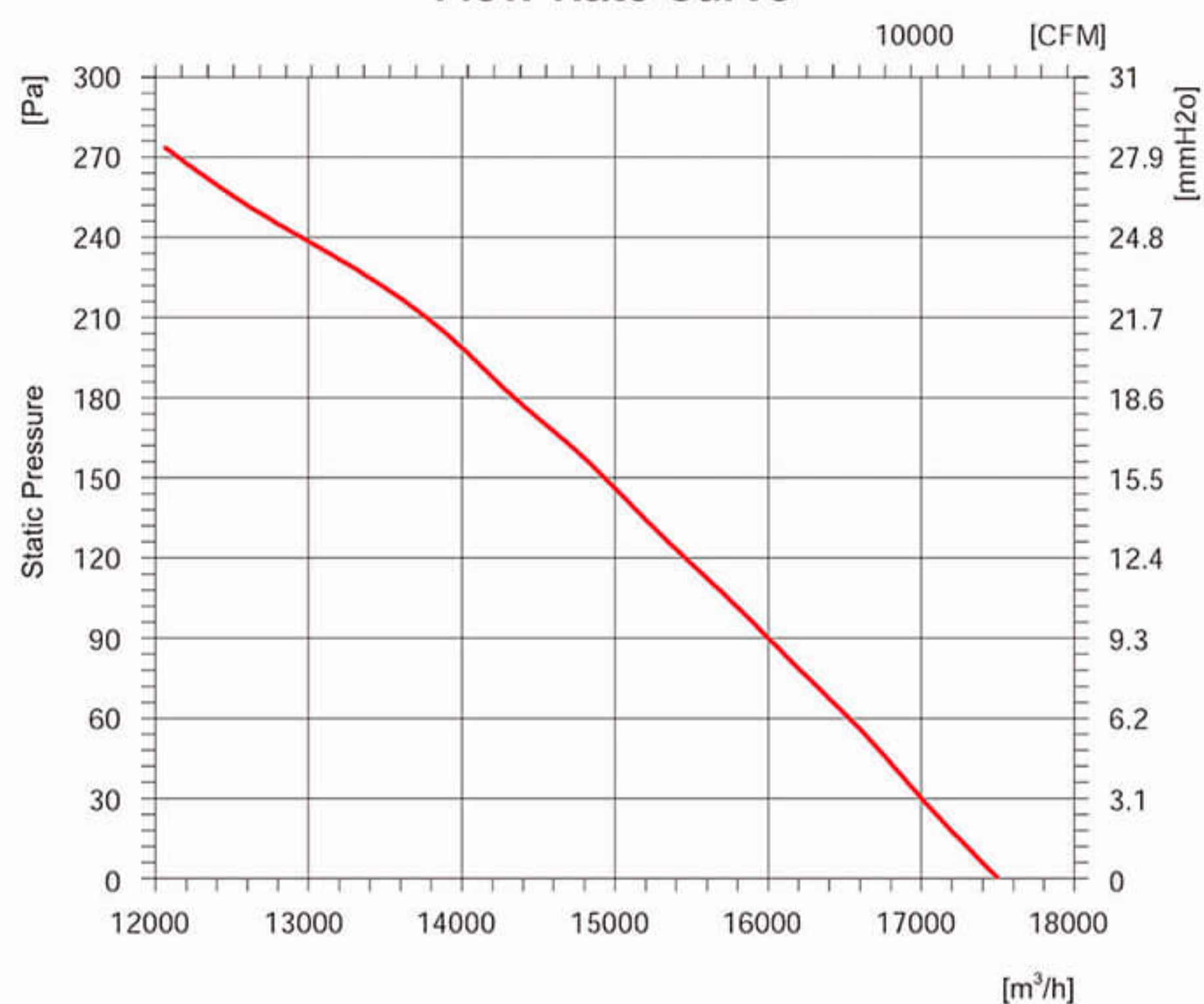


Model	Voltage (V)	Frequency (Hz)	Input Power (W)	Current (A)	Air Volume (m³/h)	Speed (r/min)	Capacitor (µF)	Noise [dB(A)]	Max Environmental Temperature(°C)	Weight (Kg)
BMF- 4D630-ZF62-S7I	660	50	1900	2.0	15300	1370	-	81	70	31.0

AC Axial Fans $\Phi 630$

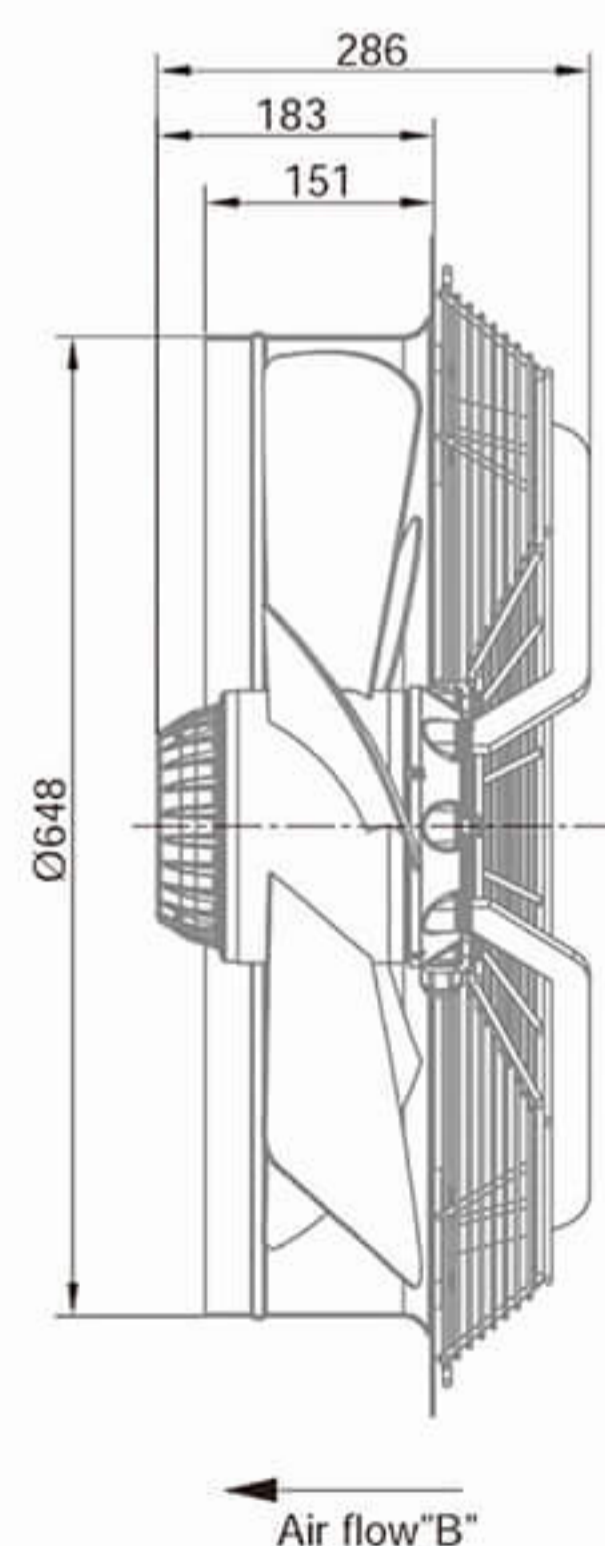
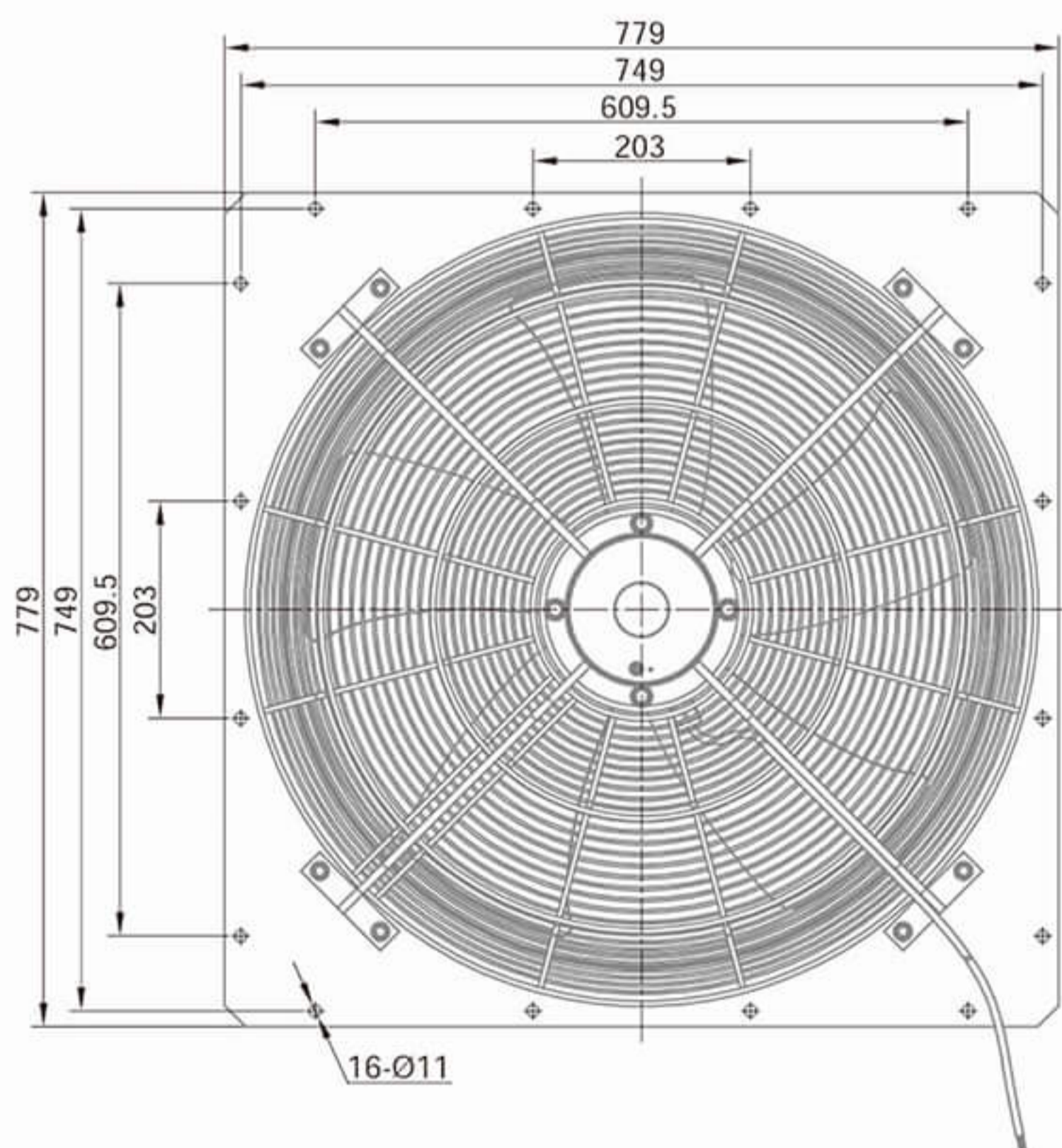


Flow Rate Curve



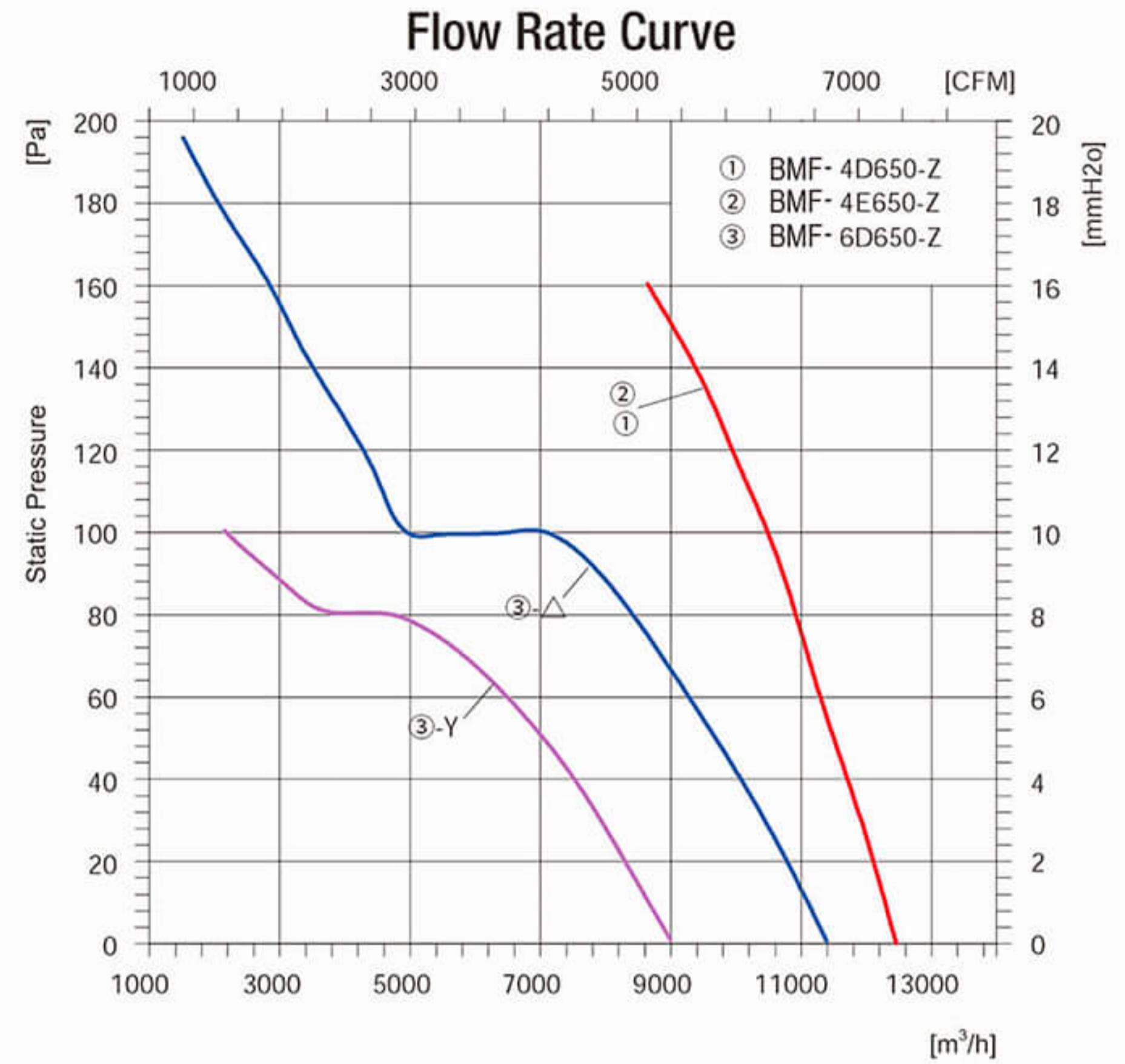
Product Characteristic

- Motor technology: AC Outer rotor
- Mode of Operation: S1
- Protection Class: IP54
- Insulation Class: F
- Bearings: Maintenance-free ball bearings
- Blades Material: Cold rolled sheet steel
- Blades count: 5
- Air direction: seen on the leads



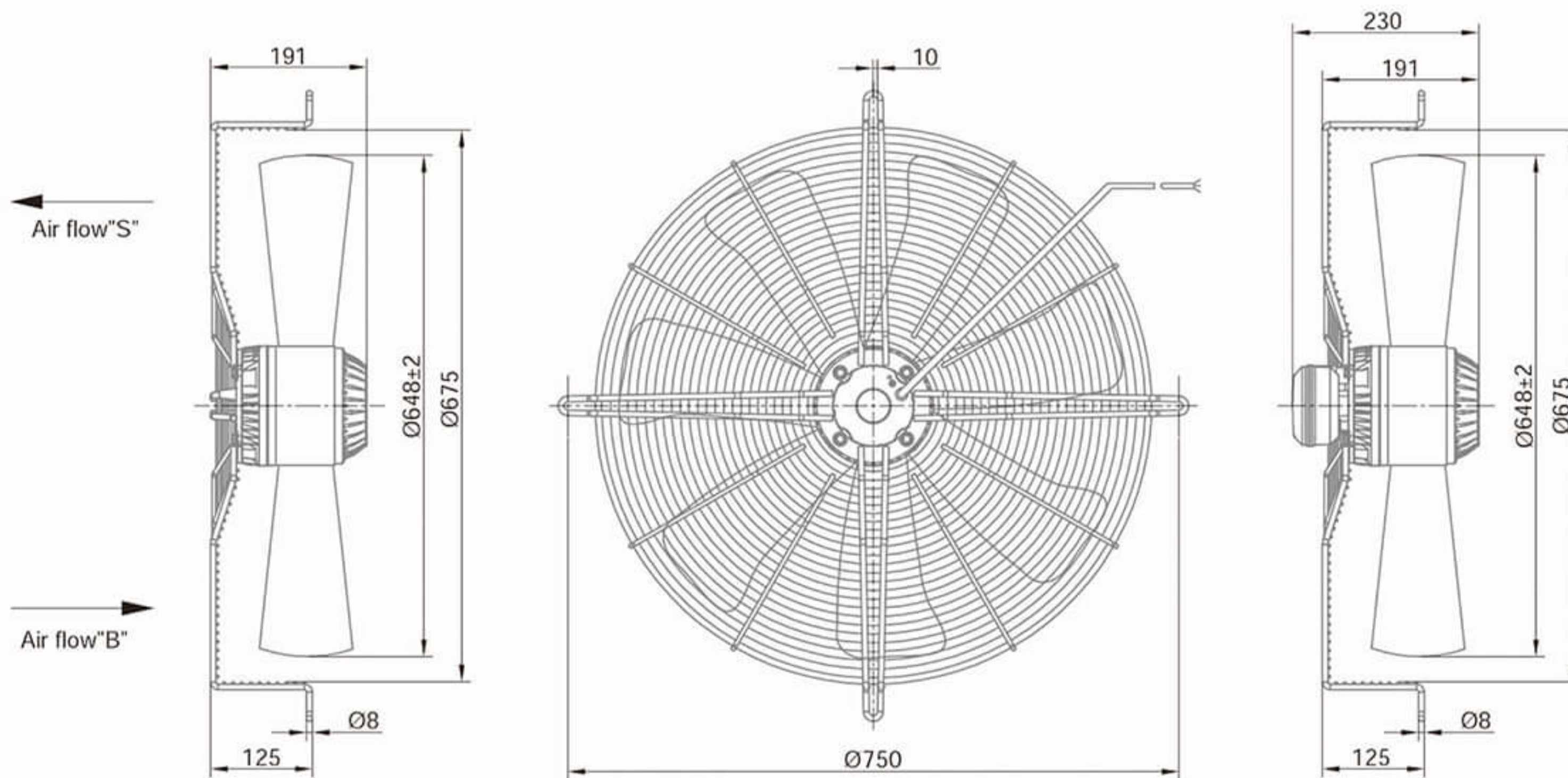
Model	Voltage (V)	Frequency (Hz)	Input Power (W)	Current (A)	Air Volume (m³/h)	Speed (r/min)	Capacitor (µF)	Noise [dB(A)]	Max Environmental Temperature(°C)	Weight (Kg)
BMF-4K630-ZF07-B5B	460	60	2300	3.8	17500	1700	-	82	50	36.0

AC Axial Fans $\Phi 650$



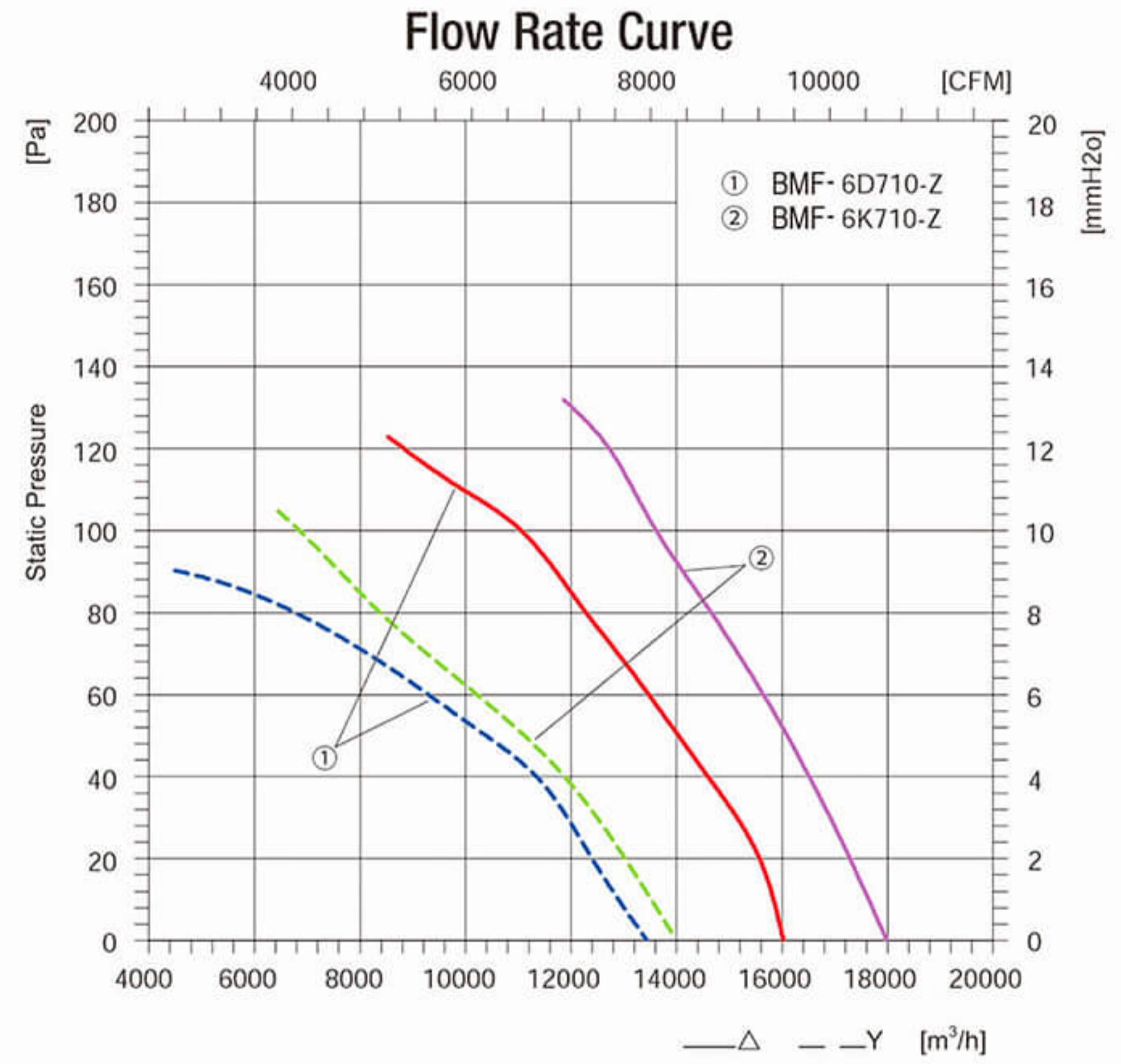
Product Characteristic

Motor technology: AC Outer rotor
 Mode of Operation: S1
 Protection Class: IP54
 Insulation Class: F
 Bearings: Maintenance-free ball bearings
 Blades Material: Cold rolled sheet steel
 Blades count: 7
 Air direction: seen on the leads



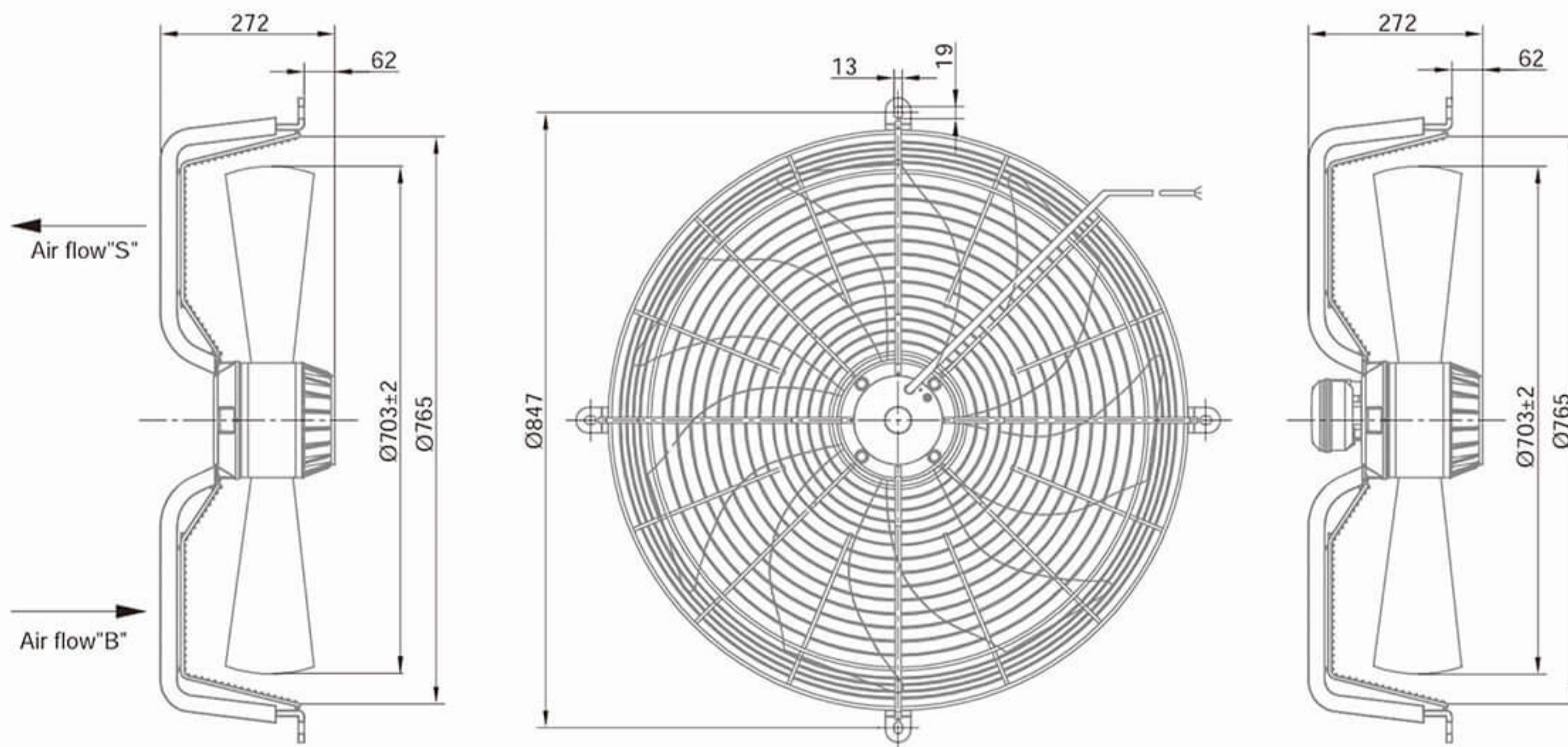
Model	Voltage (V)	Frequency (Hz)	Input Power (W)	Current (A)	Air Volume (m³/h)	Speed (r/min)	Capacitor (µF)	Noise [dB(A)]	Max Environmental Temperature(°C)	Weight (Kg)
BMF-4D650-Z	400	50	1100	2.3	12500	1330	-	83	60	18.0
BMF-4E650-Z	230	50	1100	5.1	12500	1330	36	83	60	18.0
BMF-6D650-Z	380 Δ/Y	50	600/470	1.5/0.82	11500/9000	900/700	-	76/70	50	18.0

AC Axial Fans $\Phi 710$



Product Characteristic

- Motor technology: AC Outer rotor
- Mode of Operation: S1
- Protection Class: IP54
- Insulation Class: F
- Bearings: Maintenance-free ball bearings
- Blades Material: Cold rolled sheet steel
- Blades count: 7
- Air direction: seen on the leads

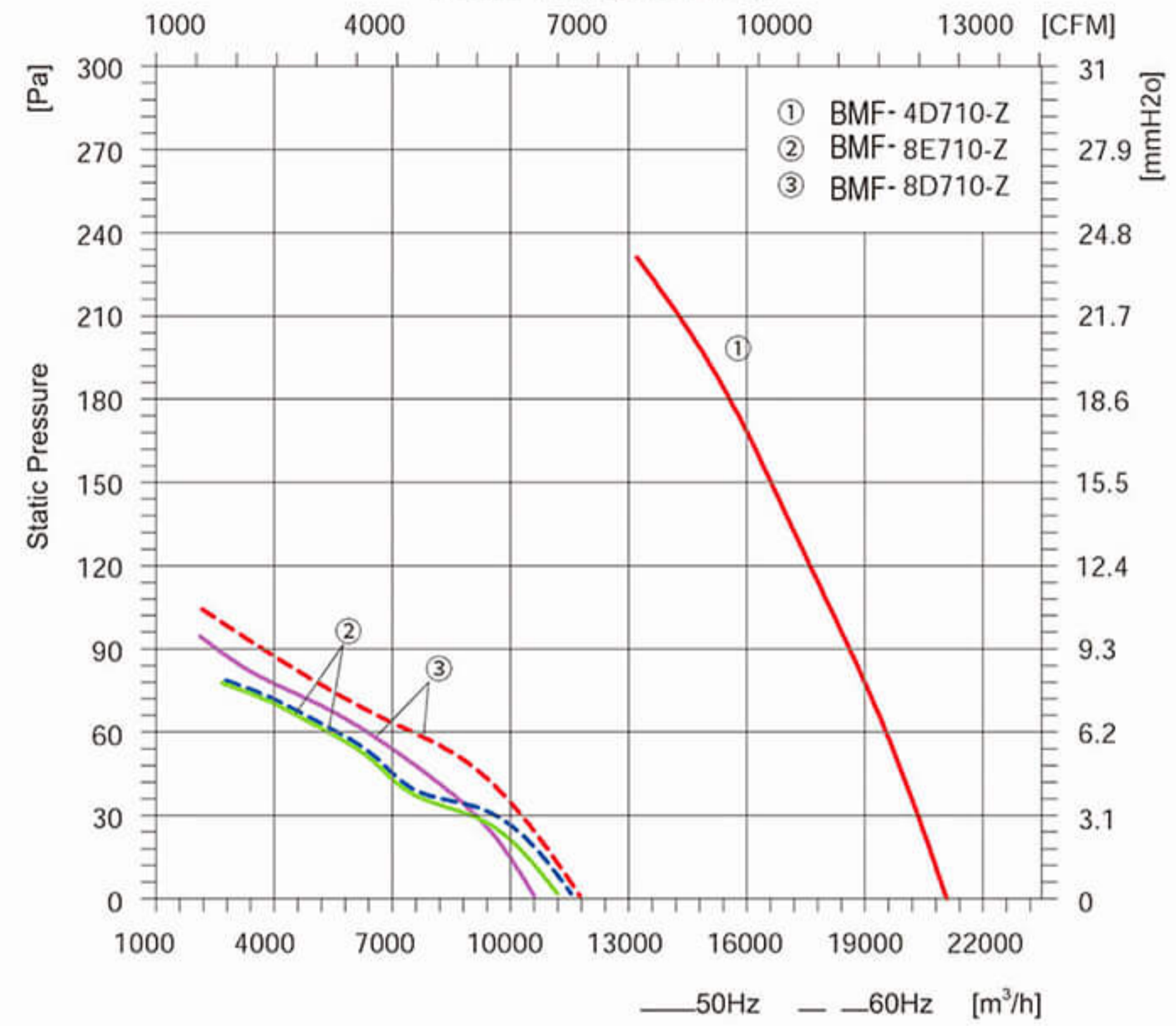


Model	Voltage (V)	Frequency (Hz)	Input Power (W)	Current (A)	Air Volume (m³/h)	Speed (r/min)	Capacitor (µF)	Noise [dB(A)]	Max Environmental Temperature(°C)	Weight (Kg)
BMF-6D710-Z	400 Δ/Y	50	1100/700	2.35/1.2	15800/13500	900/760	-	79/73	50	29.0
BMF-6K710-Z	460 Δ/Y	60	1600/950	2.65/1.36	18000/14100	1050/900	-	81/75	50	29.0

AC Axial Fans $\Phi 710$

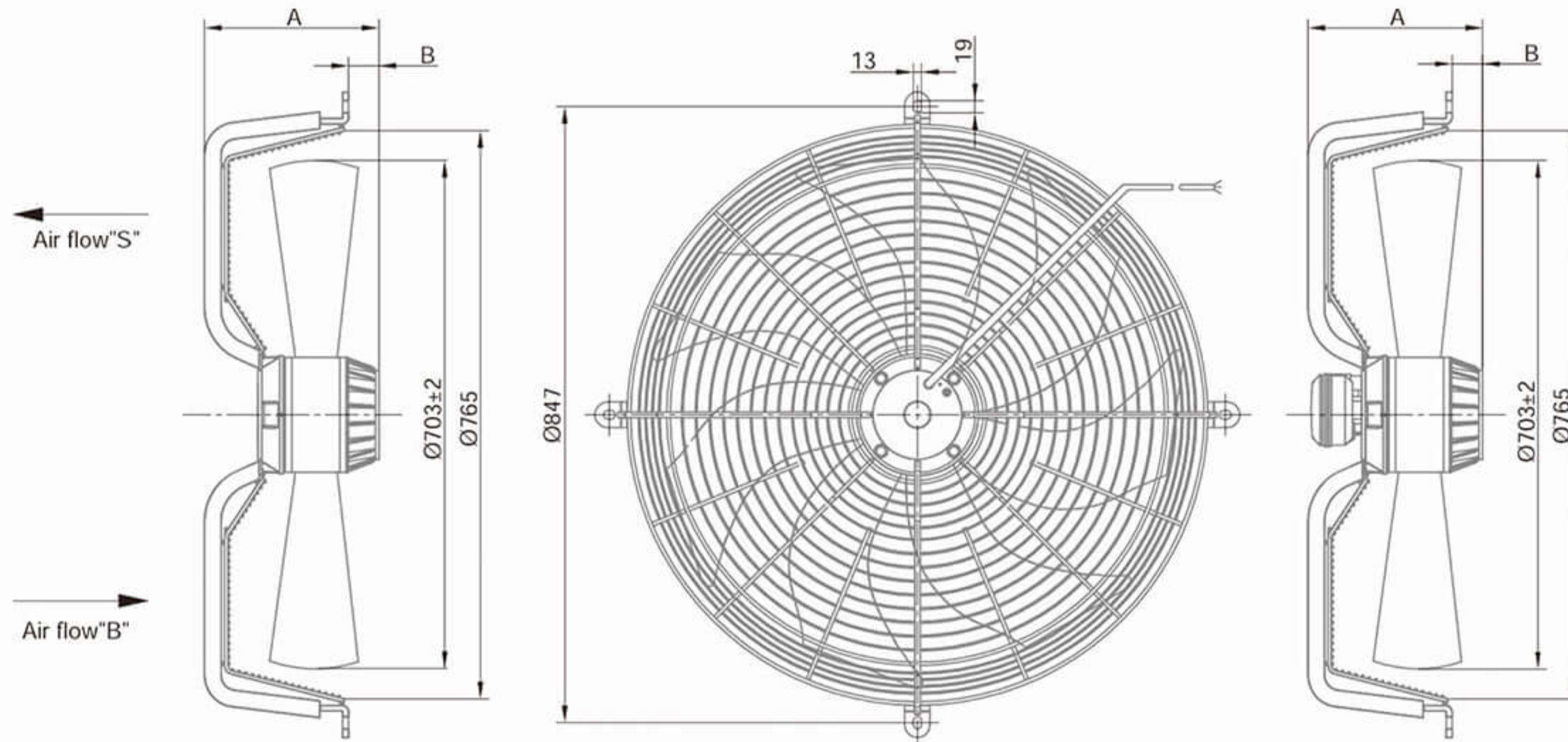


Flow Rate Curve



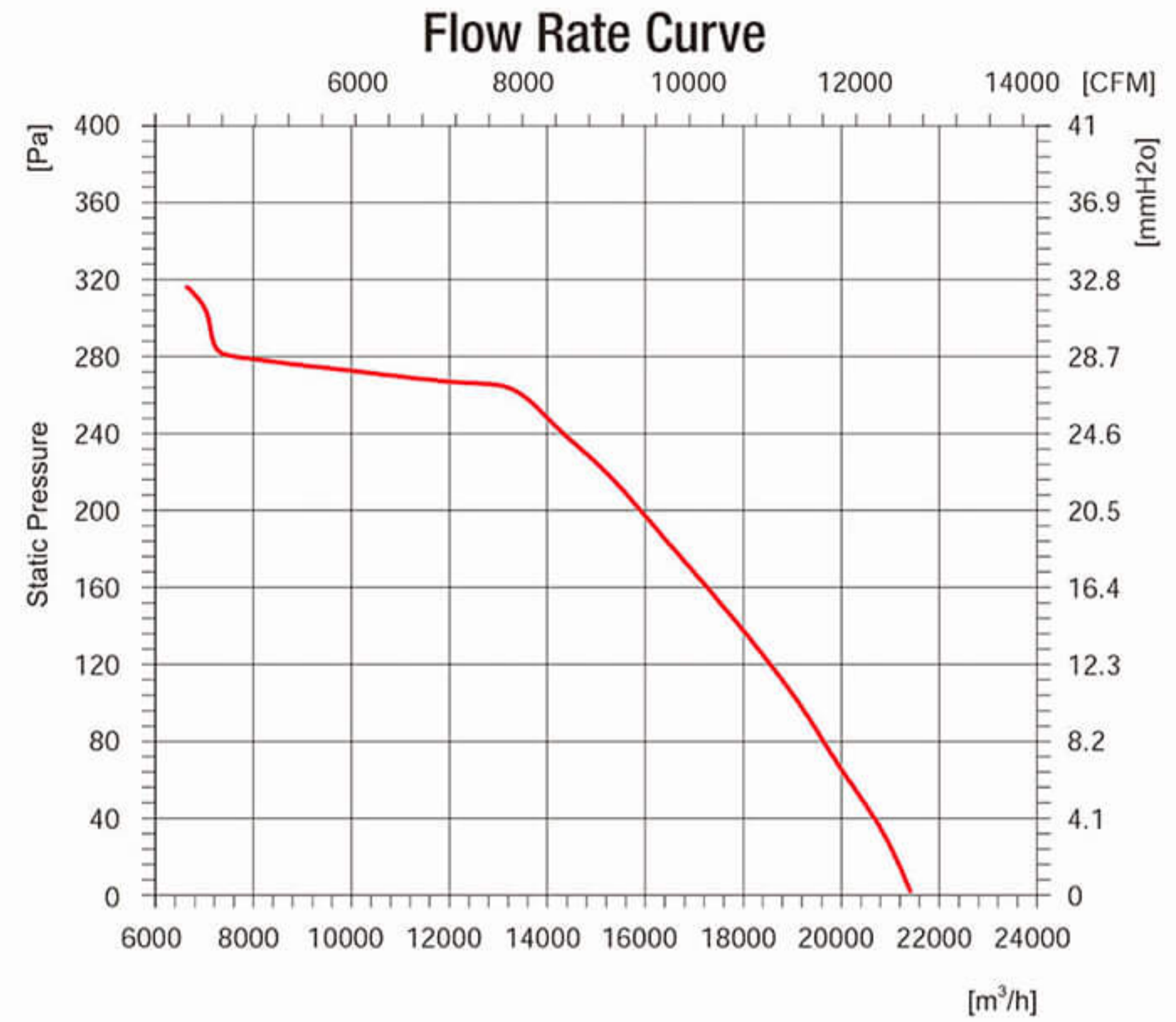
Product Characteristic

Motor technology: AC Outer rotor
 Mode of Operation: S1
 Protection Class: IP54
 Insulation Class: F
 Bearings: Maintenance-free ball bearings
 Blades Material: Cold rolled sheet steel
 Blades count: 7
 Air direction: seen on the leads



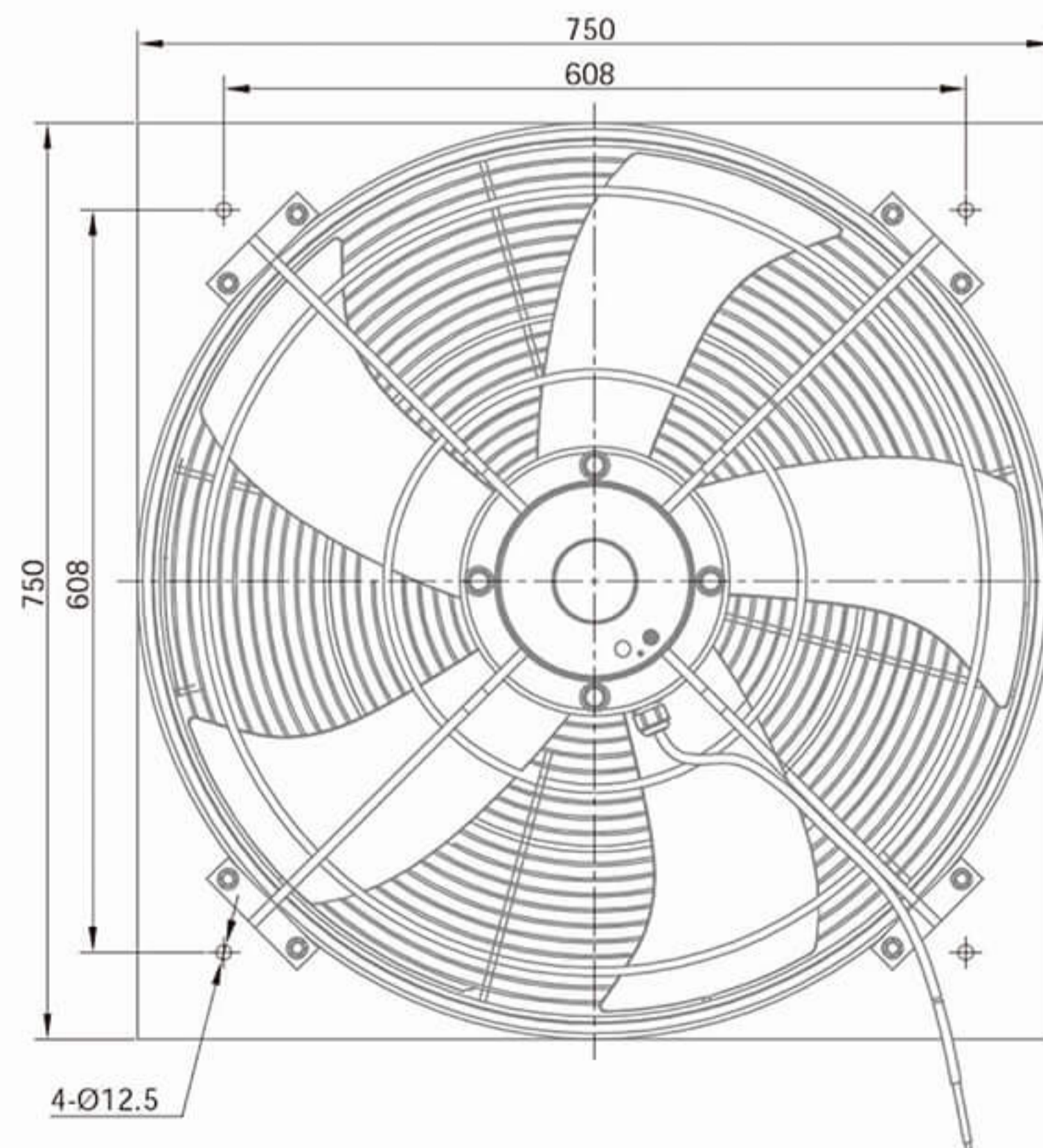
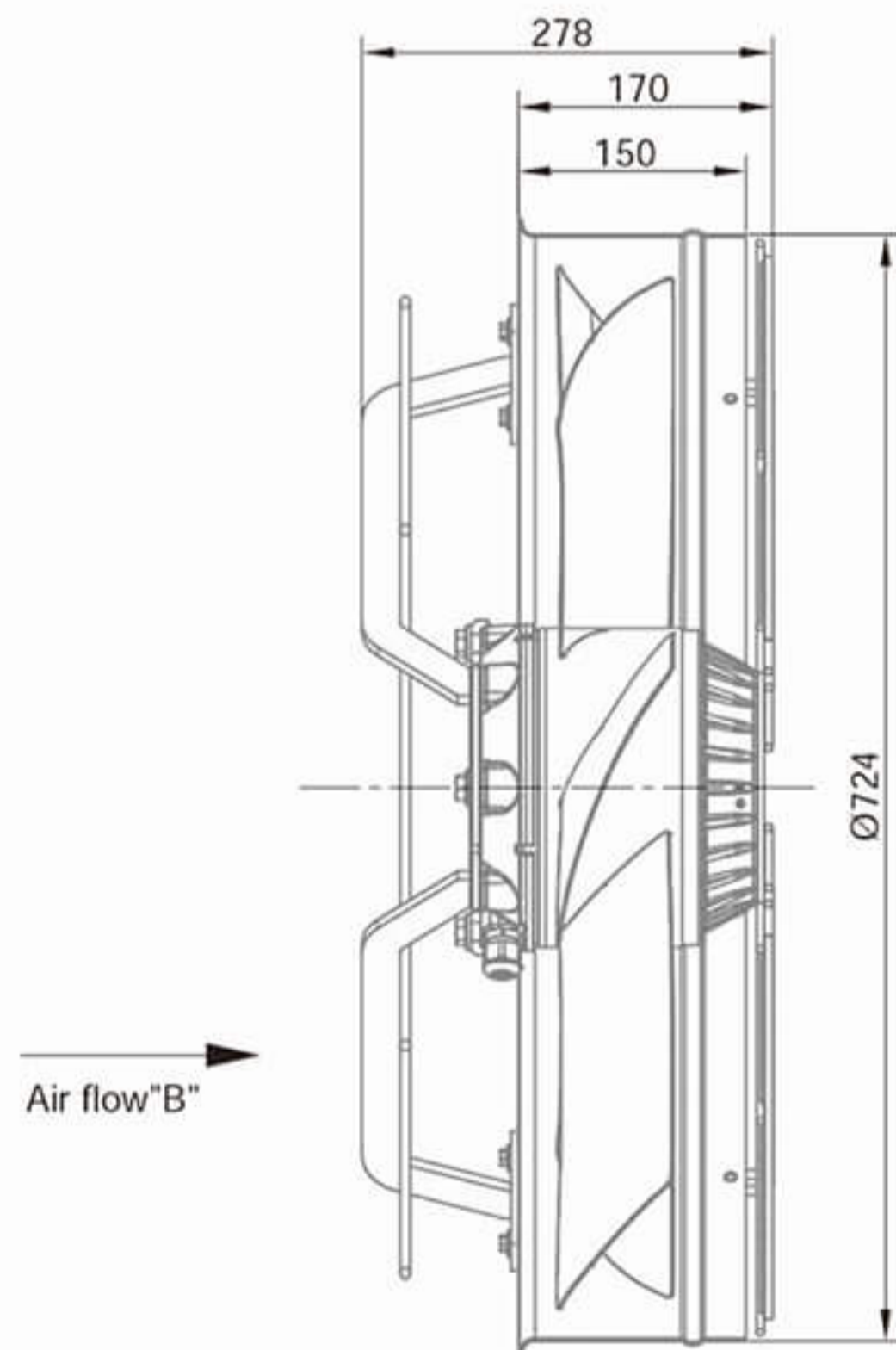
Model	Voltage (V)	Frequency (Hz)	Input Power (W)	Current (A)	Air Volume (m³/h)	Speed (r/min)	Capacitor (µF)	Noise [dB(A)]	Max Environmental Temperature(°C)	Weight (Kg)		
BMF-4D710-Z	400	50	2700	4.6	22500	1350	-	87	50	33.2	289	79
BMF-8E710-Z	230	50/60	500/610	2.3/2.7	11500/12000	610/630	14	71/72	60	24.6	247	37
BMF-8D710-Z	400	50/60	500/610	1.0/1.2	10500/12000	610/660	-	71/73	60	24.6	247	37

AC Axial Fans $\Phi 710$



Product Characteristic

Motor technology: AC Outer rotor
 Mode of Operation: S1
 Protection Class: IP54
 Insulation Class: F
 Bearings: Maintenance-free ball bearings
 Blades Material: Cold rolled sheet steel
 Blades count: 5
 Air direction: seen on the leads

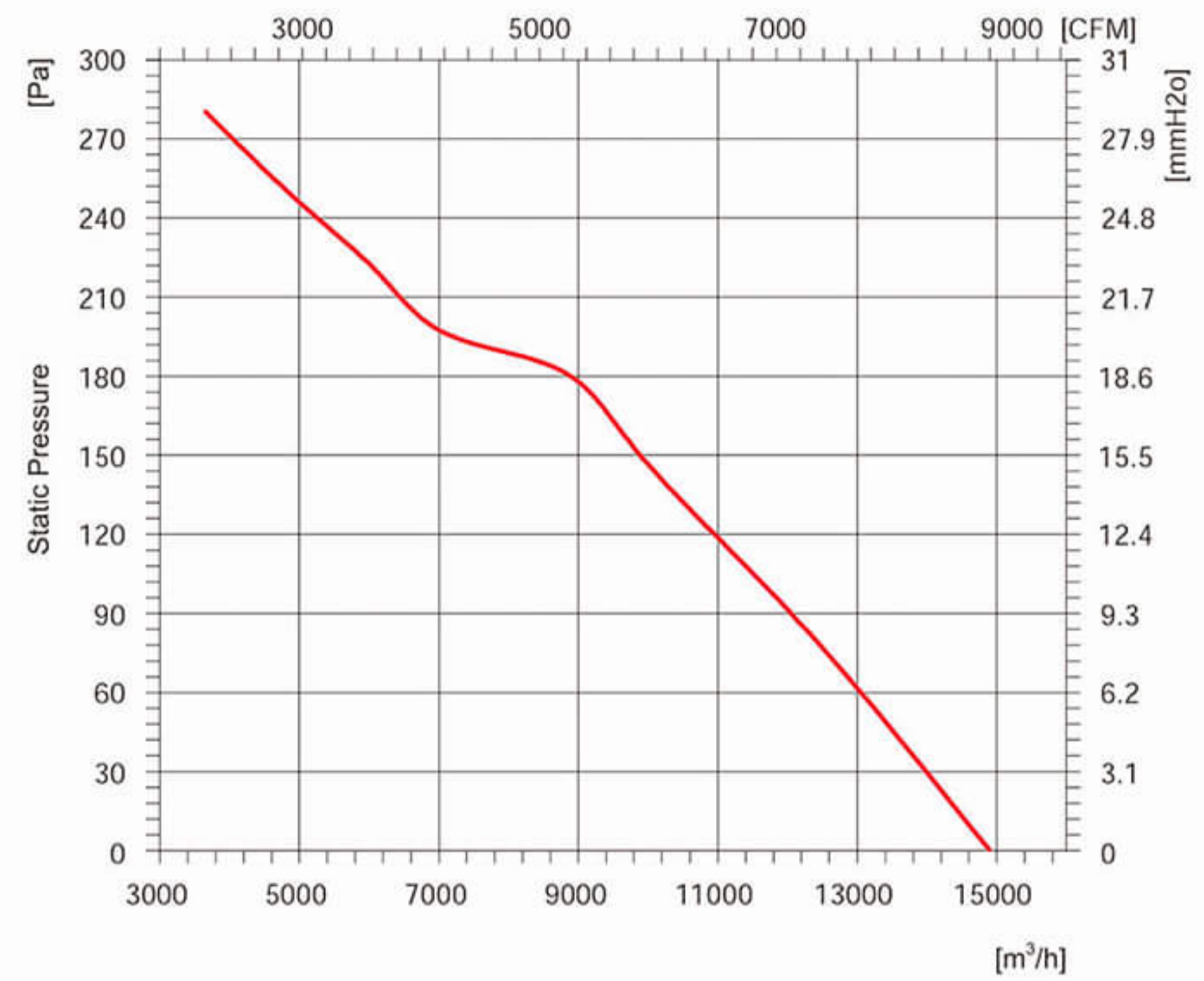


Model	Voltage (V)	Frequency (Hz)	Input Power (W)	Current (A)	Air Volume (m³/h)	Speed (r/min)	Capacitor (µF)	Noise [dB(A)]	Max Environmental Temperature(°C)	Weight (Kg)
BMF-4D710-ZF29-B5B	380	50	2800	5.0	21300	1400	-	85	70	45.0

AC Axial Fans $\Phi 710$

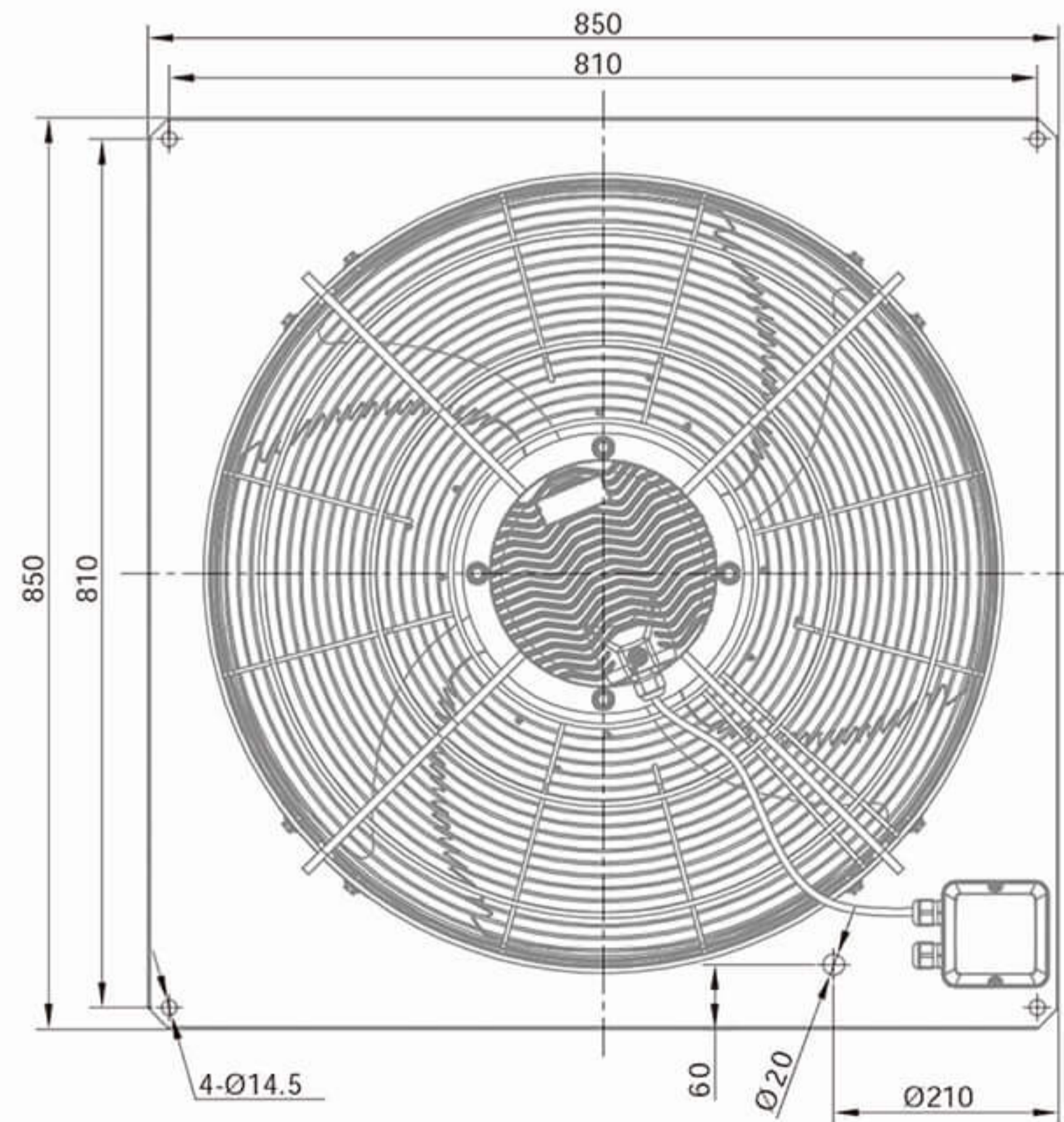
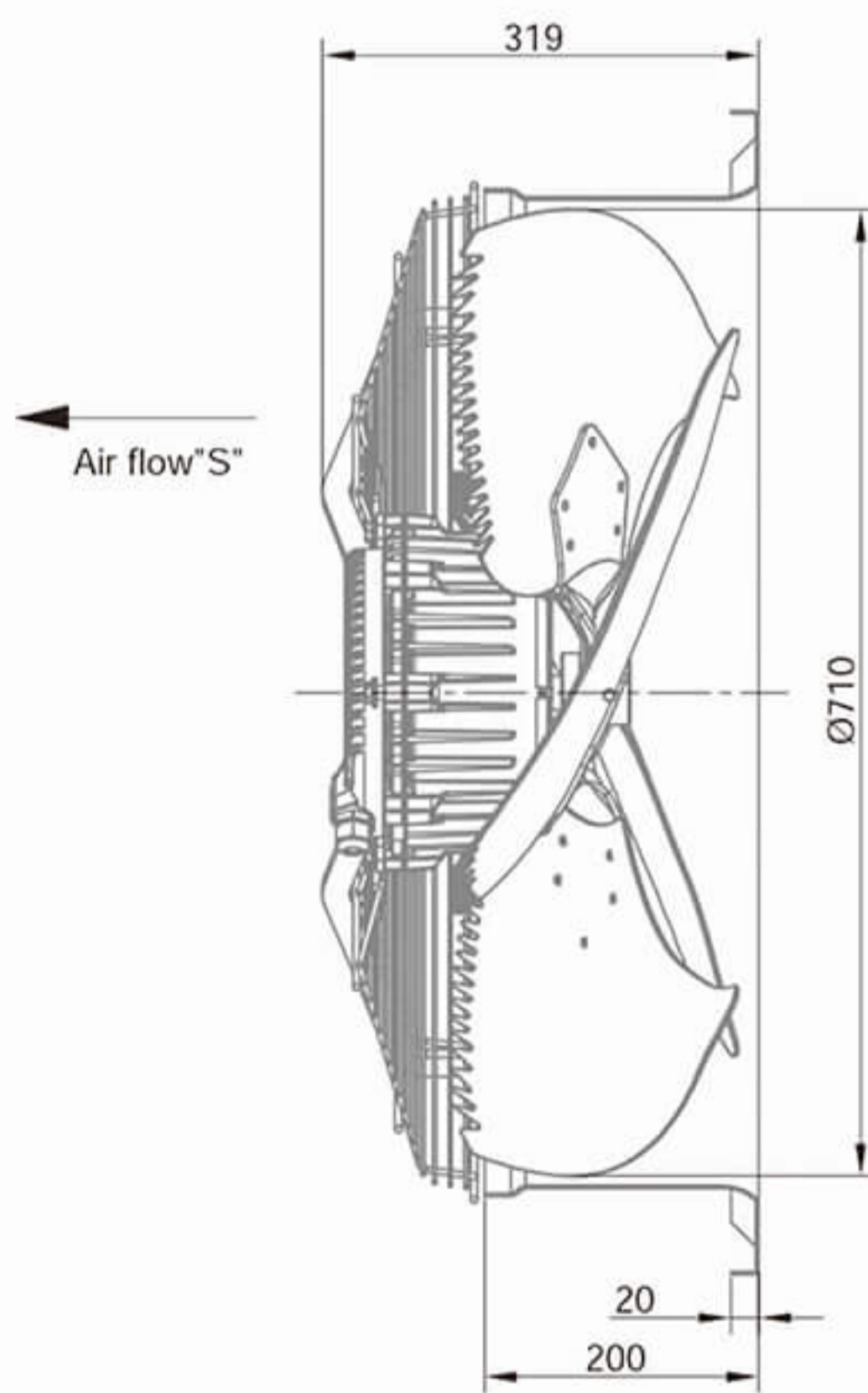


Flow Rate Curve



Product Characteristic

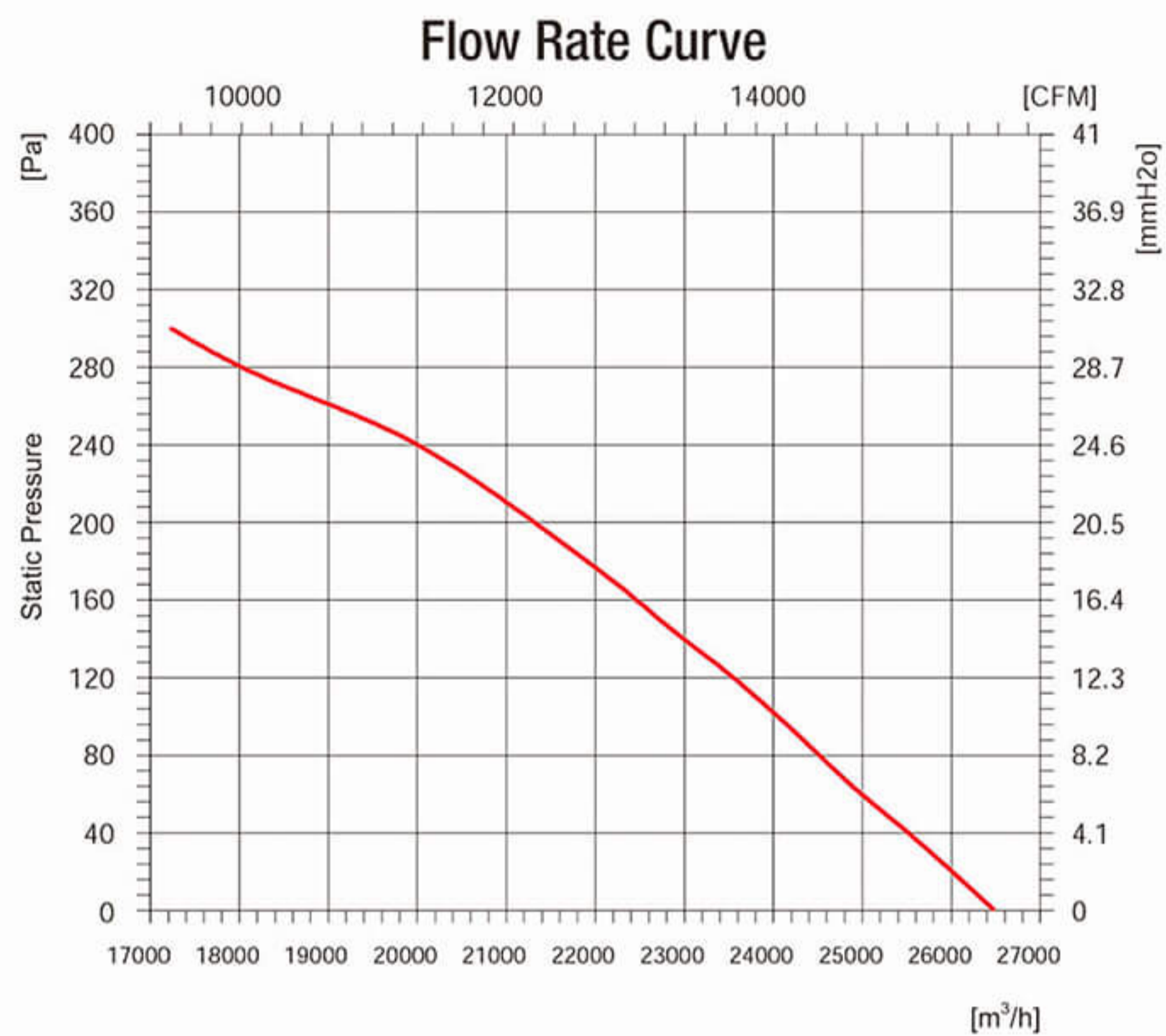
- Motor technology: AC Inner rotor
- Mode of Operation: S1
- Protection Class: IP55
- Insulation Class: F
- Bearings: Maintenance-free ball bearings
- Blades Material: Sheet aluminium
- Blades count: 4
- Air direction: Suction, seen on the leads
- High efficiency and low noise



Model	Voltage (V)	Frequency (Hz)	Input Power (W)	Current (A)	Air Volume (m³/h)	Speed (r/min)	Capacitor (µF)	Noise [dB(A)]	Max Environmental Temperature(°C)	Weight (Kg)
BMF-6D710-ZF-S4I	380	50	1100	2.2	14200	930	-	74	80	38.0

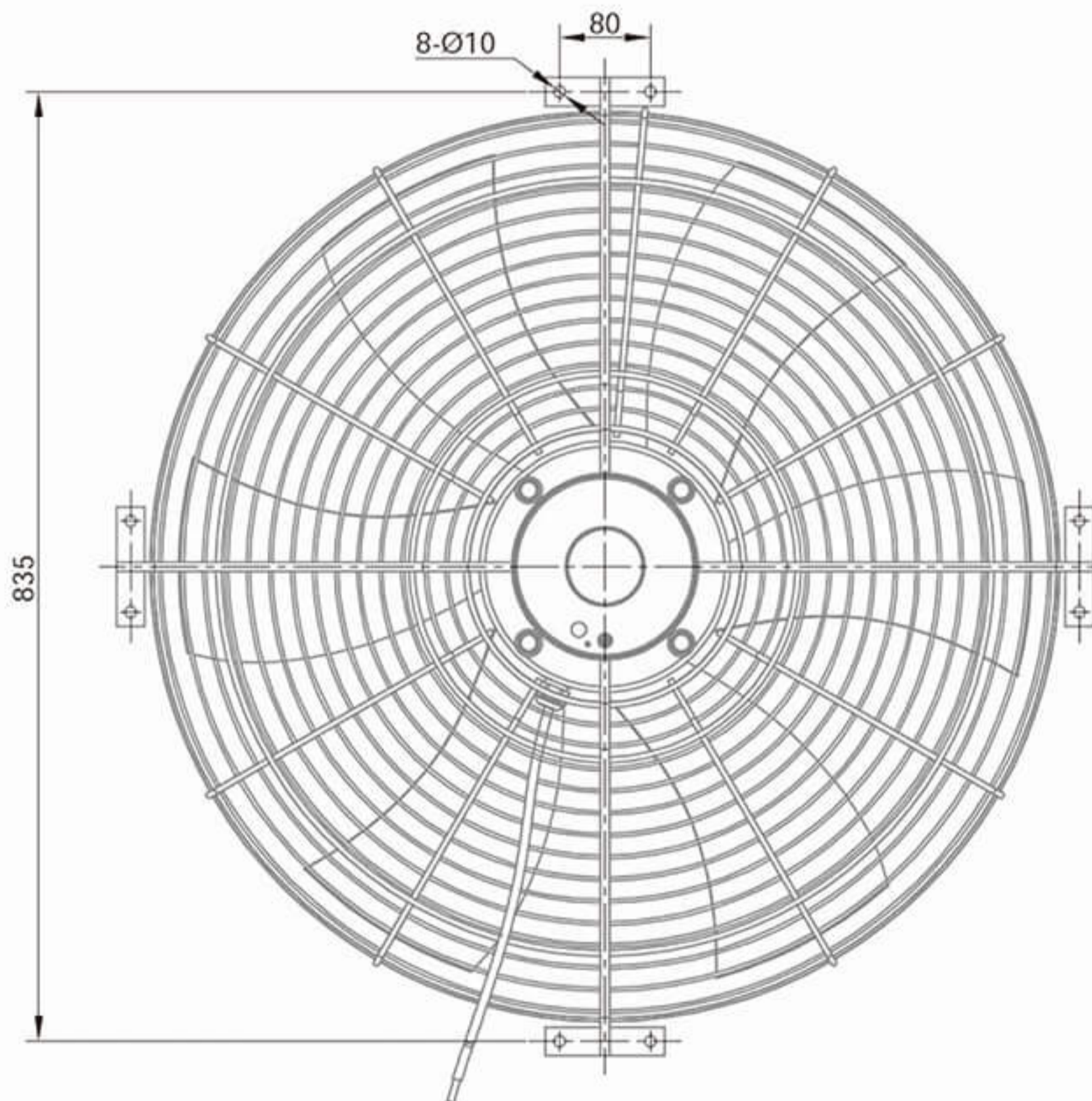
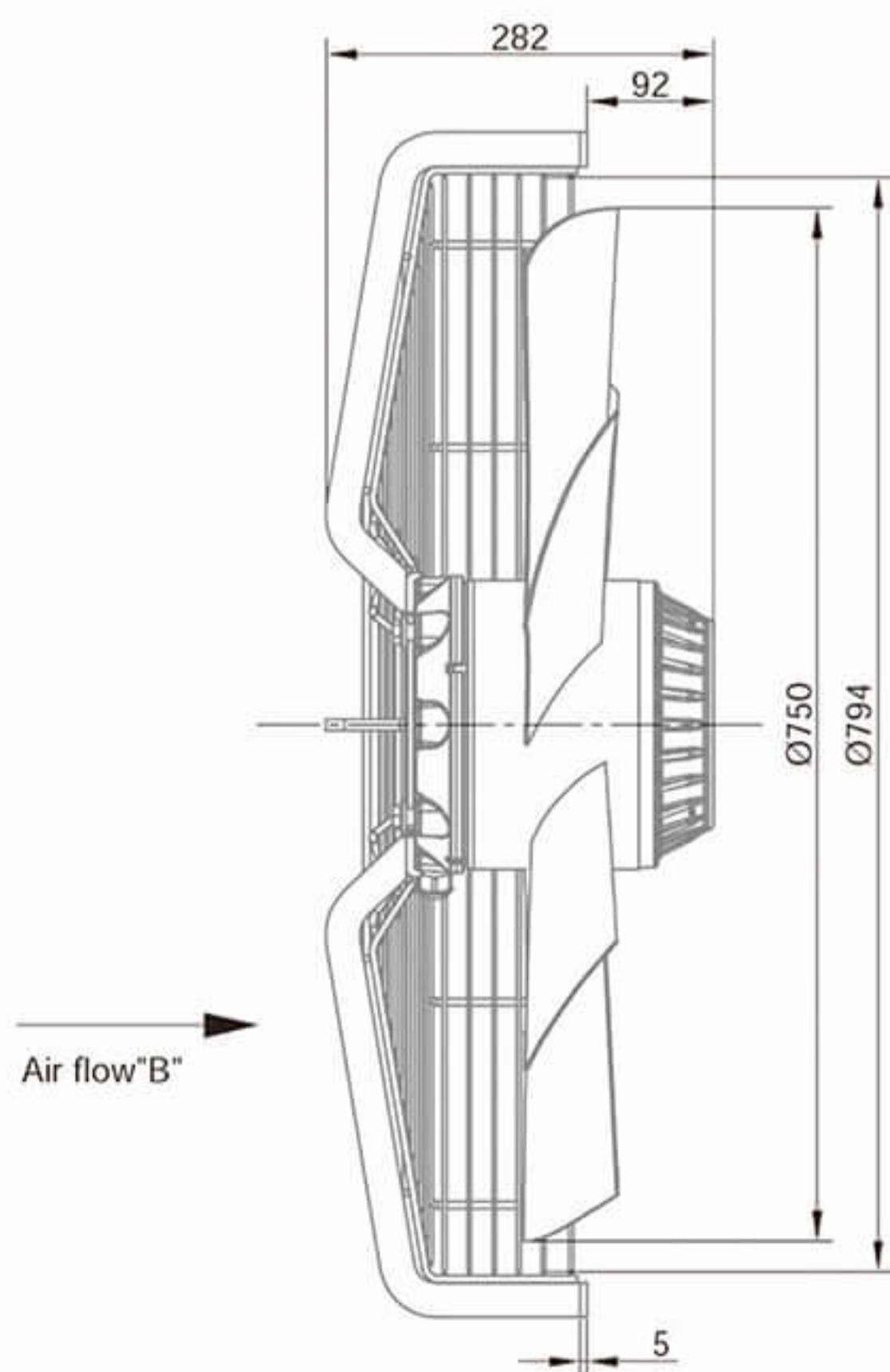
AC Axial Fans $\Phi 750$

ErP
2015



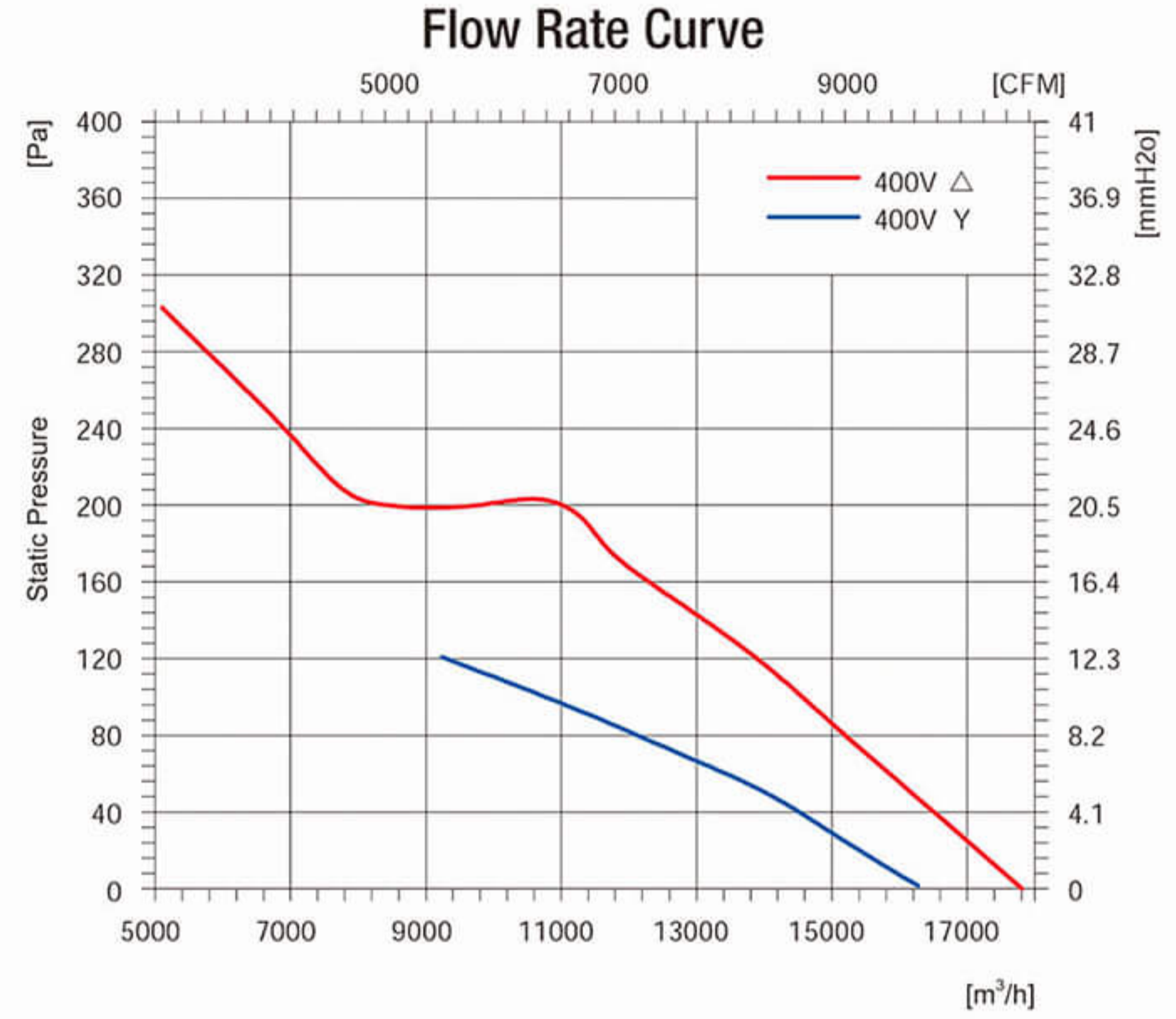
Product Characteristic

Motor technology: AC Outer rotor
 Mode of Operation: S1
 Protection Class: IP54
 Insulation Class: F
 Bearings: Maintenance-free ball bearings
 Blades Material: Cold rolled sheet steel
 Blades count: 6
 Air direction: seen on the leads



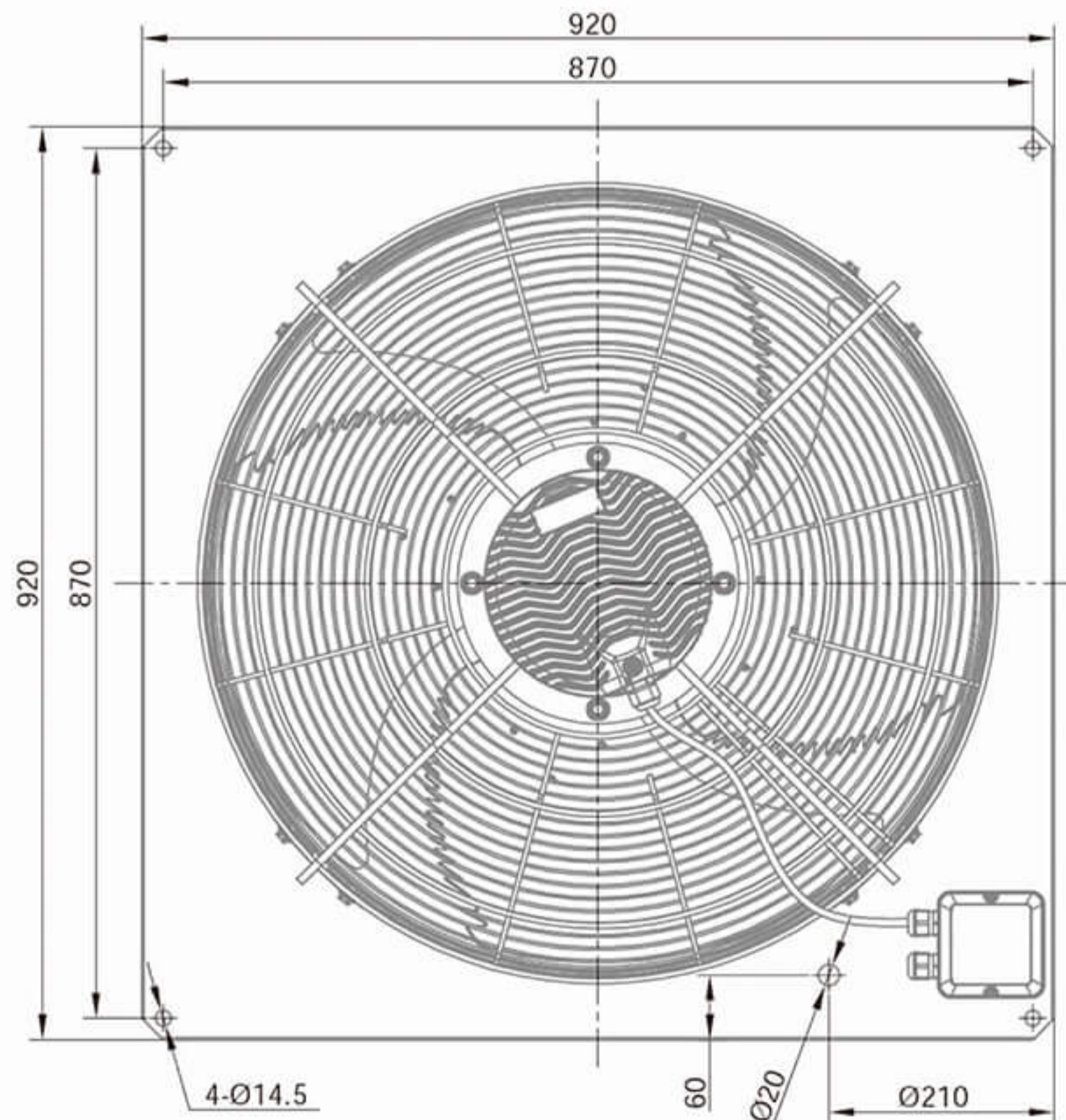
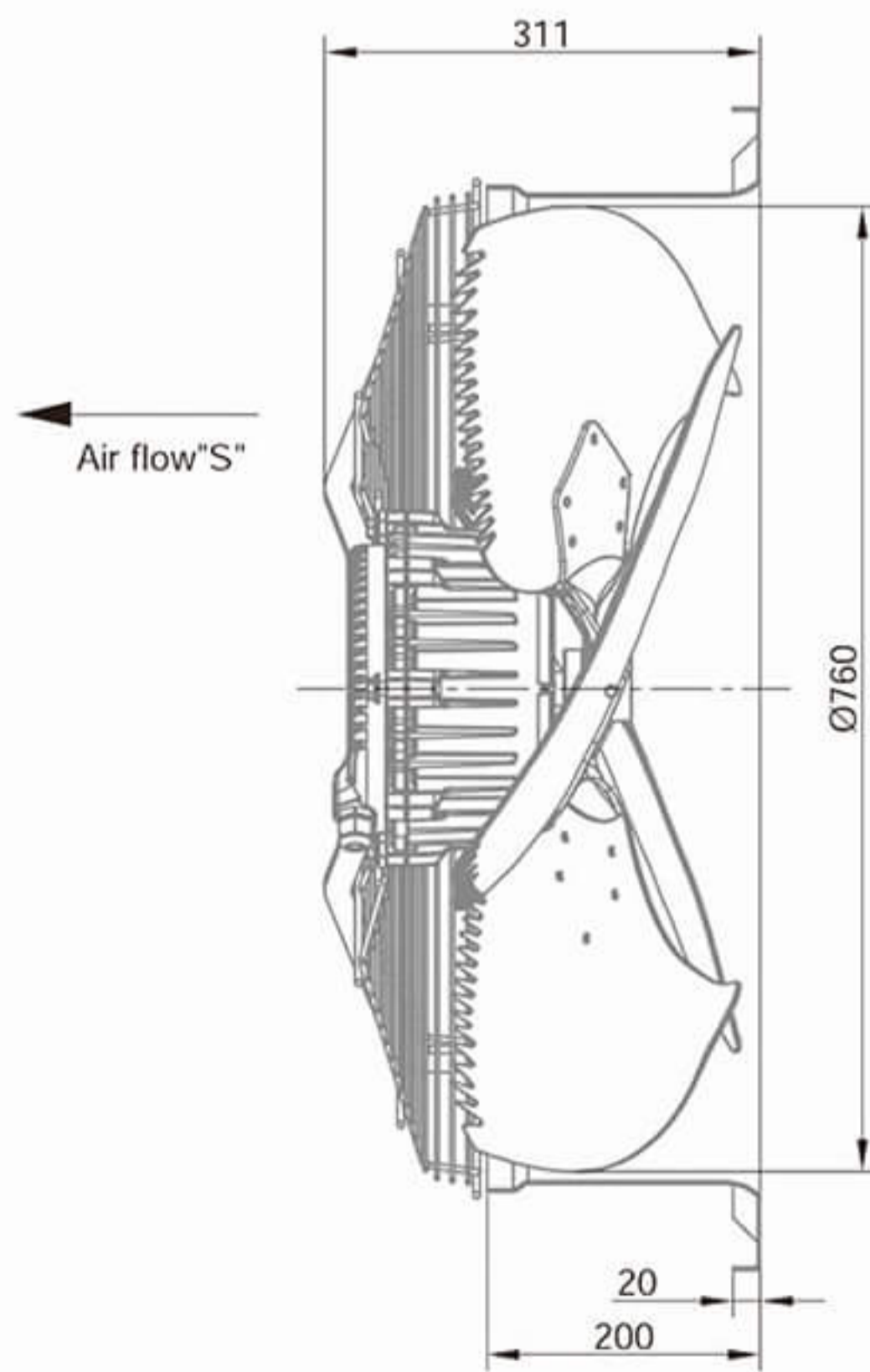
Model	Voltage (V)	Frequency (Hz)	Input Power (W)	Current (A)	Air Volume (m ³ /h)	Speed (r/min)	Capacitor (µF)	Noise [dB(A)]	Max Environmental Temperature(°C)	Weight (Kg)
BMF- 4D750-ZX01-B6A	380	50	4000	7.2	26500	1380	-	92	60	45.0

AC Axial Fans $\Phi 760$



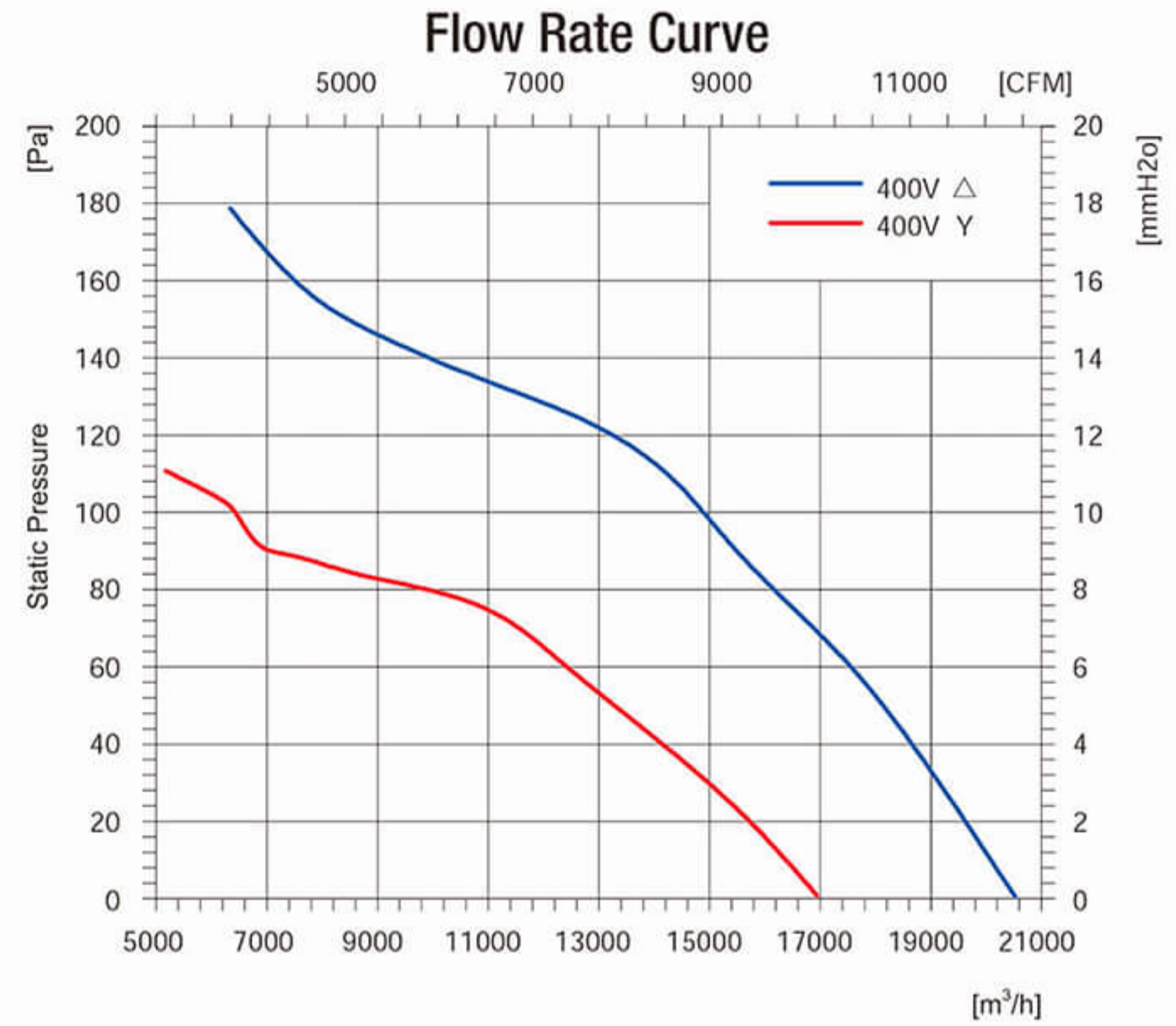
Product Characteristic

- Motor technology: AC Inner rotor
- Mode of Operation: S1
- Protection Class: IP55
- Insulation Class: F
- Bearings: Maintenance-free ball bearings
- Blades Material: Sheet aluminium
- Blades count: 4
- Air direction: Suction, seen on the leads
- High efficiency and low noise



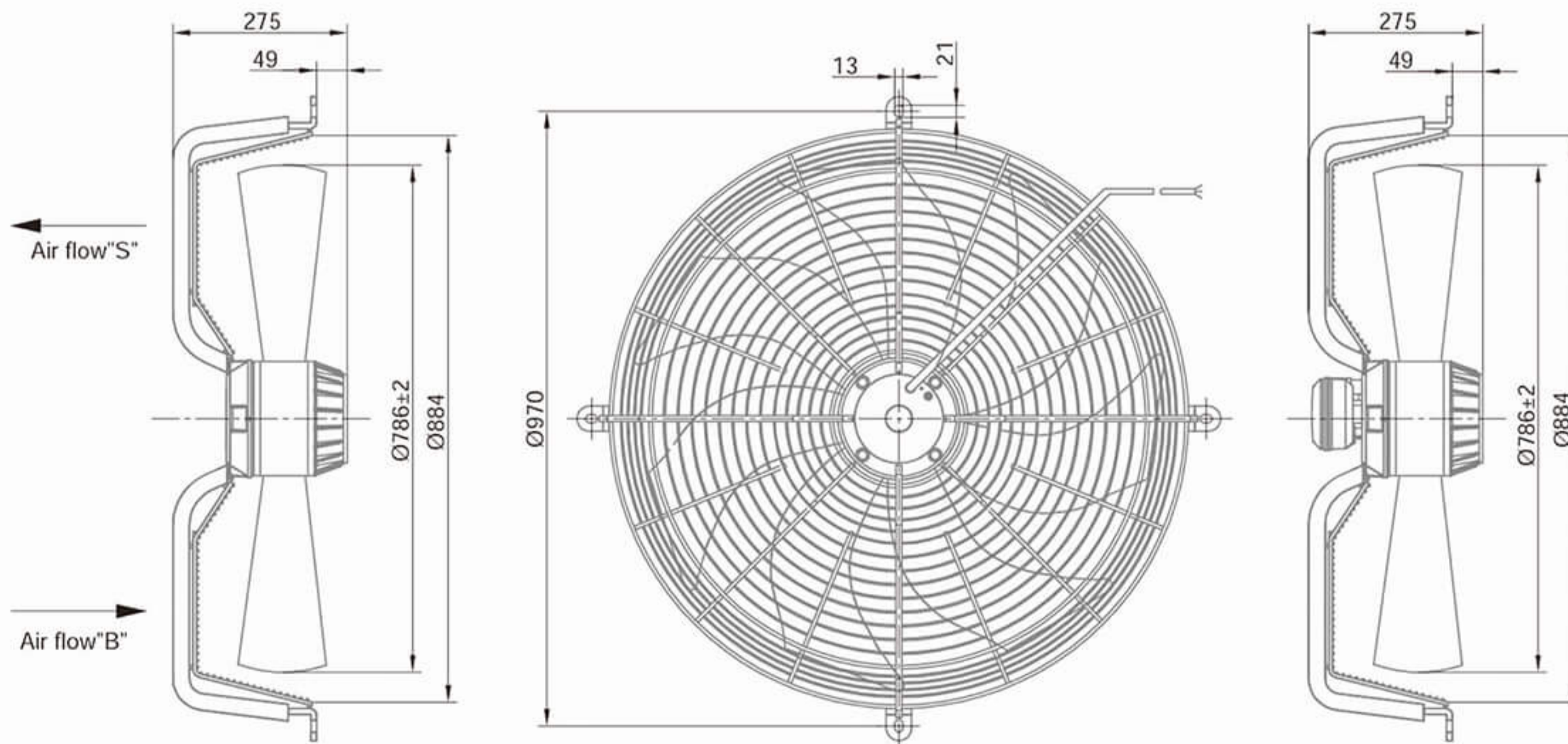
Model	Voltage (V)	Frequency (Hz)	Input Power (W)	Current (A)	Air Volume (m³/h)	Speed (r/min)	Capacitor (µF)	Noise [dB(A)]	Max Environmental Temperature(°C)	Weight (Kg)
BMF-6D760-ZF-S4I	380 Δ/Y	50	1550/1200	3.0/2.3	17800	930/780	-	76	60	42.0

AC Axial Fans $\Phi 800$



Product Characteristic

Motor technology: AC Outer rotor
 Mode of Operation: S1
 Protection Class: IP54
 Insulation Class: F
 Bearings: Maintenance-free ball bearings
 Blades Material: Cold rolled sheet steel
 Blades count: 7
 Air direction: seen on the leads

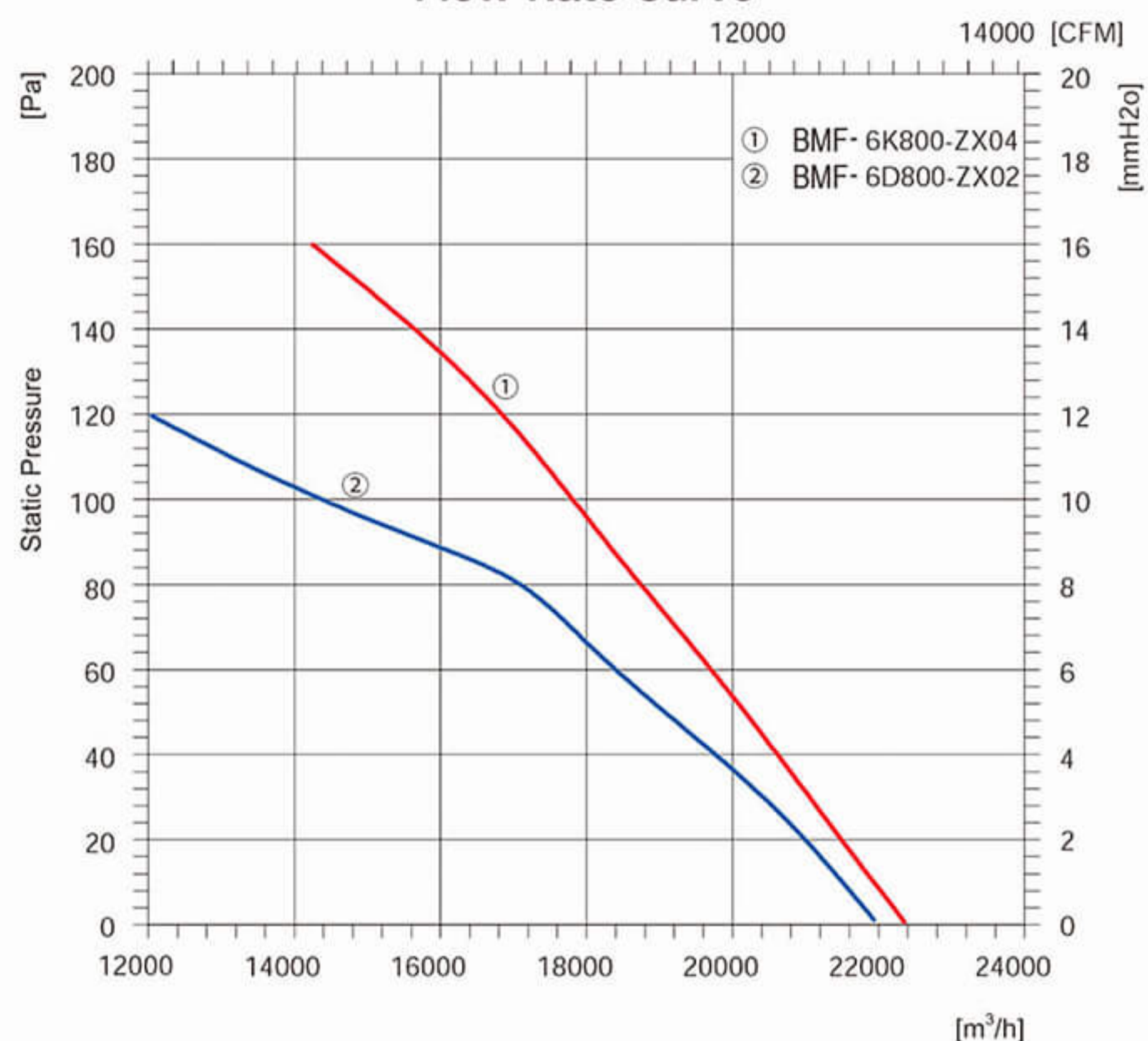


Model	Voltage (V)	Frequency (Hz)	Input Power (W)	Current (A)	Air Volume (m³/h)	Speed (r/min)	Capacitor (μF)	Noise [dB(A)]	Max Environmental Temperature(°C)	Weight (Kg)
BMF-6D800-Z	400 Δ/Y	50	1650/1060	3.65/1.94	20800/15600	880/700	-	80/74	50	31.0

AC Axial Fans Φ 800

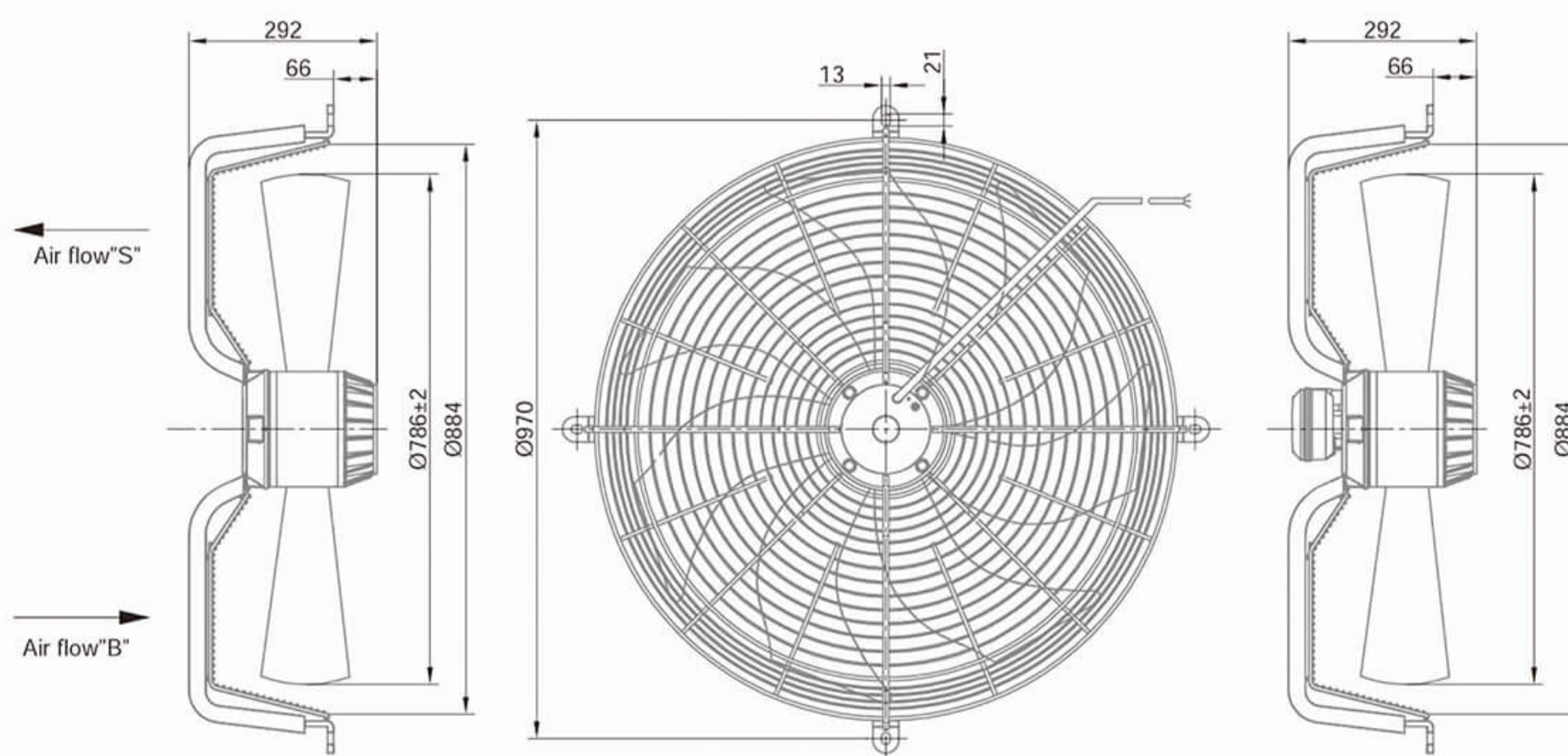


Flow Rate Curve



Product Characteristic

Motor technology: AC Outer rotor
 Mode of Operation: S1
 Protection Class: IP54
 Insulation Class: F
 Bearings: Maintenance-free ball bearings
 Blades Material: Cold rolled sheet steel
 Blades count: 7
 Air direction: seen on the leads

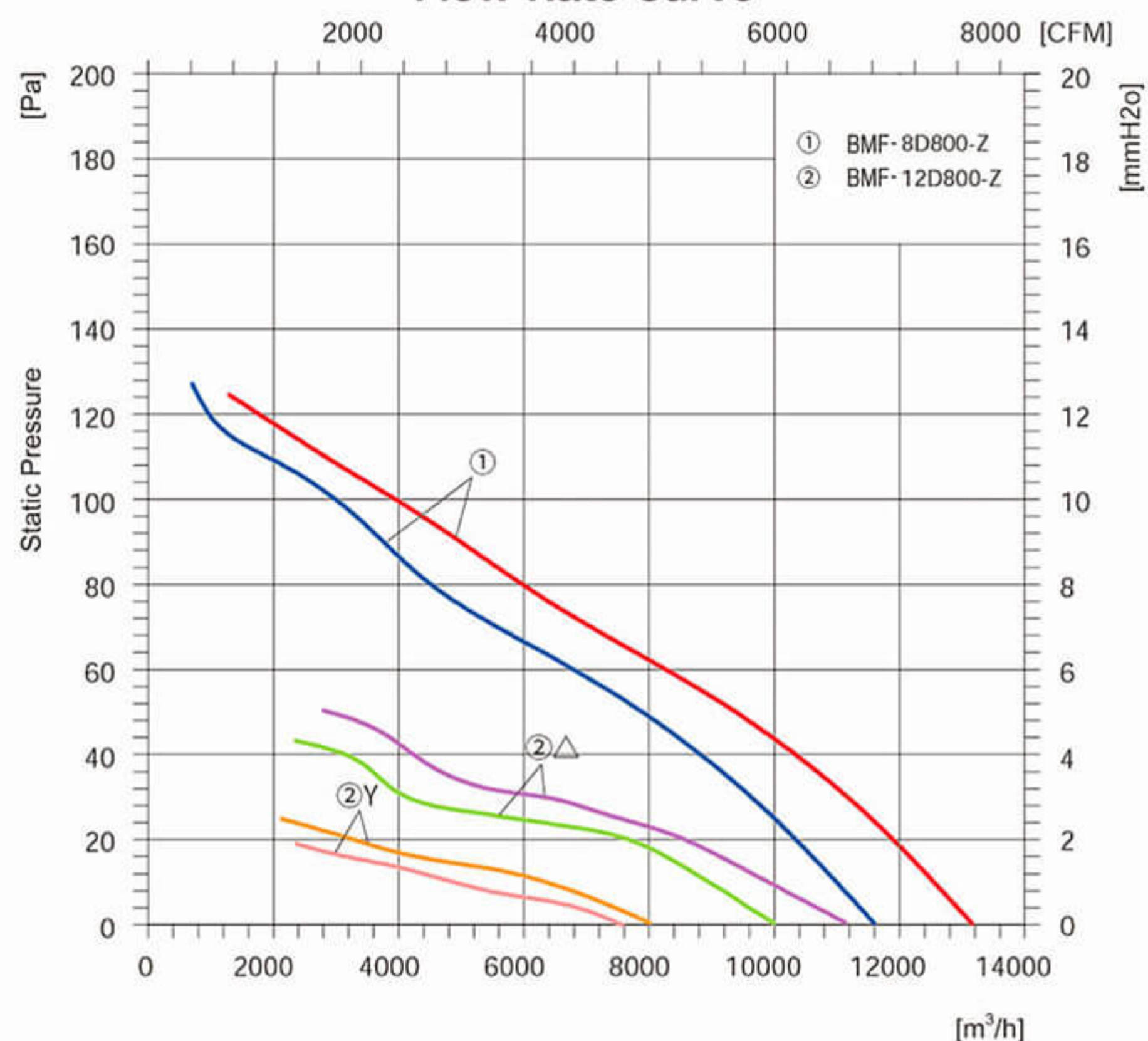


Model	Voltage (V)	Frequency (Hz)	Input Power (W)	Current (A)	Air Volume (m³/h)	Speed (r/min)	Capacitor (µF)	Noise [dB(A)]	Max Environmental Temperature(°C)	Weight (Kg)
BMF-6K800-ZX04	460	60	2700	4.5	22900	1070	-	83	50	36.0
BMF-6D800-ZX02	400	50	1900	3.6	22500	875	-	80	55	36.0

AC Axial Fans $\Phi 800$

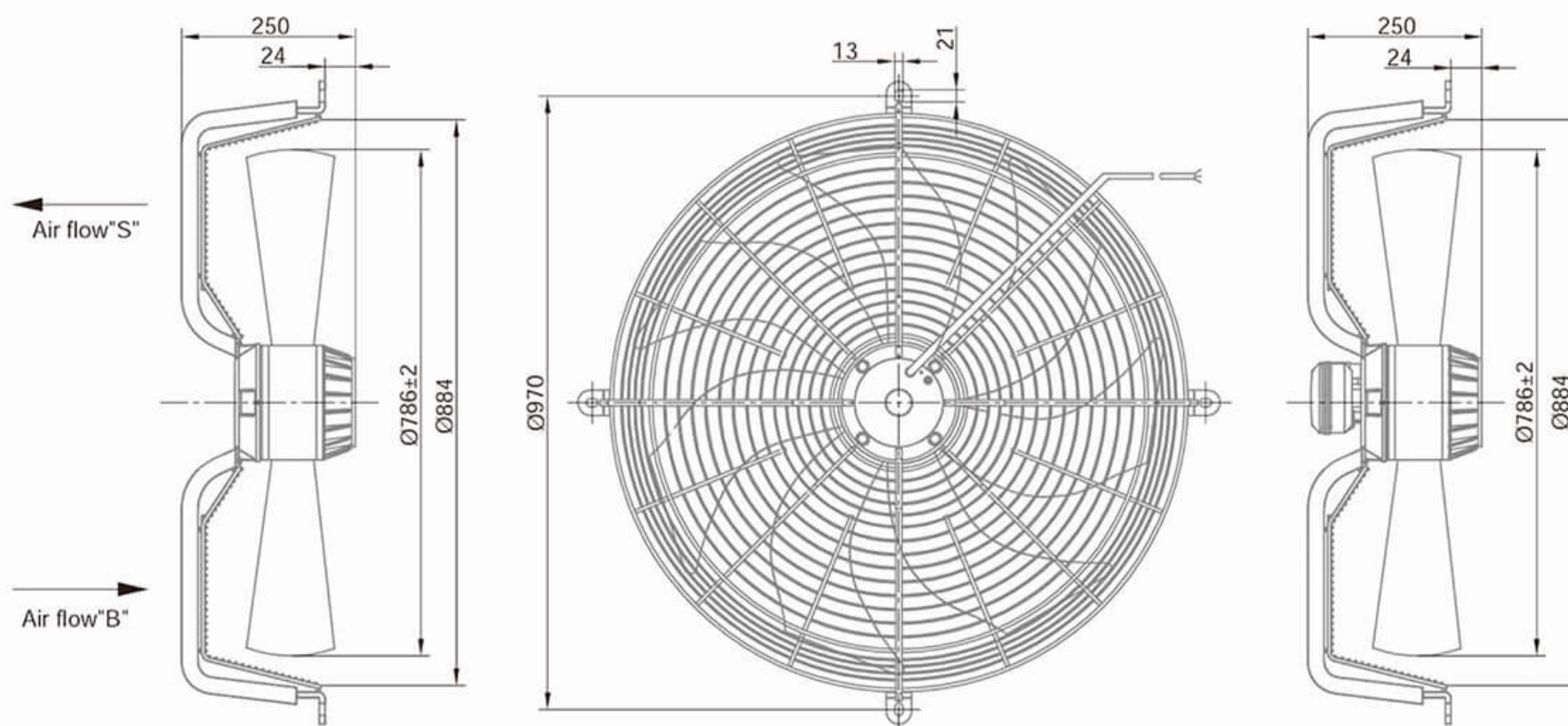


Flow Rate Curve



Product Characteristic

Motor technology: AC Outer rotor
 Mode of Operation: S1
 Protection Class: IP54
 Insulation Class: F
 Bearings: Maintenance-free ball bearings
 Blades Material: Cold rolled sheet steel
 Blades count: 7
 Air direction: seen on the leads

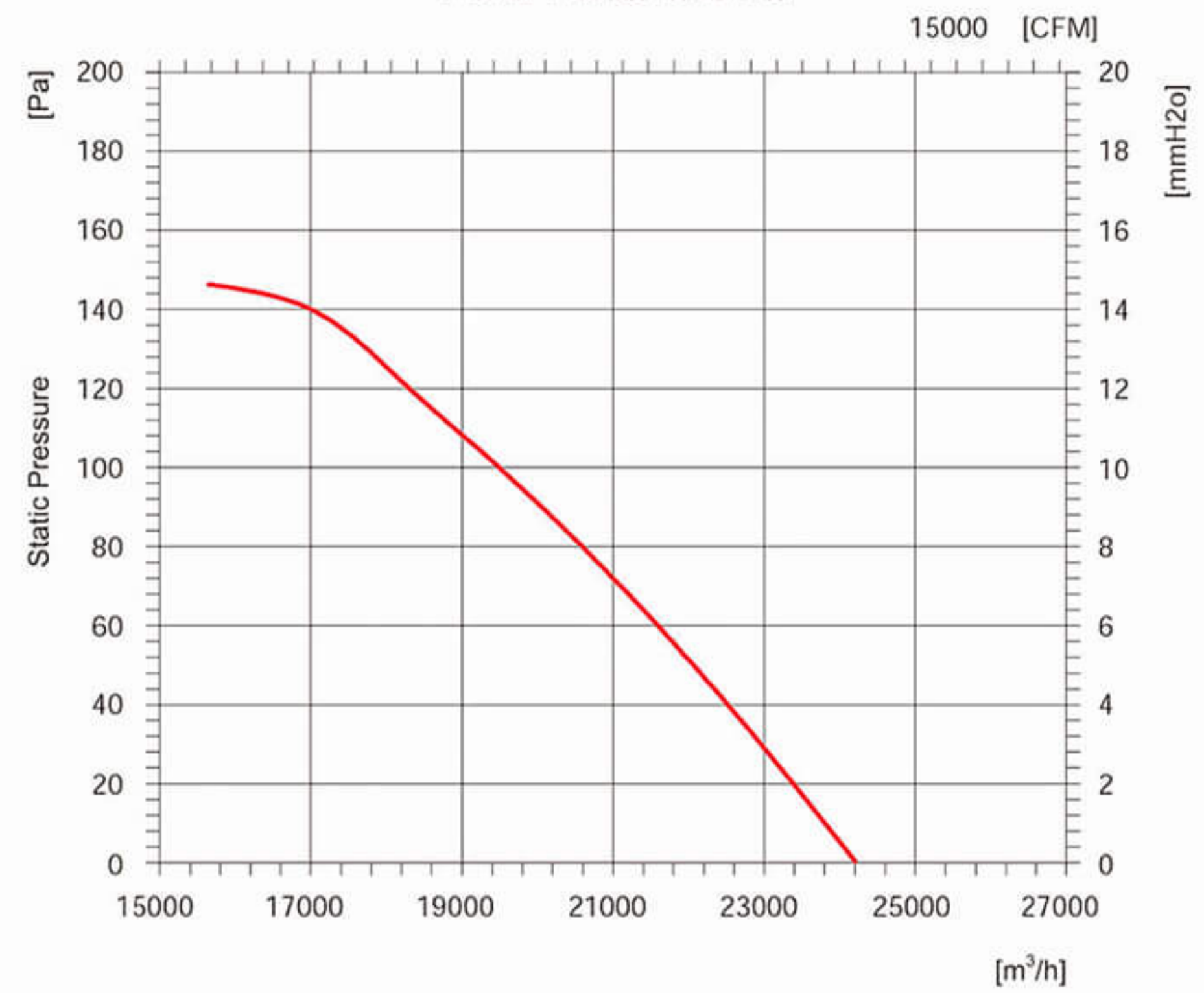


Model	Voltage (V)	Frequency (Hz)	Input Power (W)	Current (A)	Air Volume (m³/h)	Speed (r/min)	Capacitor (µF)	Noise [dB(A)]	Max Environmental Temperature(°C)	Weight (Kg)
BMF-8D800-Z	400	50/60	600/700	1.3/1.4	12000/13000	630/660	-	71/73	60	27.3
BMF-12D800-Z	400 Δ	50/60	350/380	1.0/0.95	10500/11500	430/470	-	65/67	60	27.3
	400 Y	50/60	180/190	0.45/0.43	8100/7500	330/320	-	63/63	60	27.3

AC Axial Fans $\Phi 800$

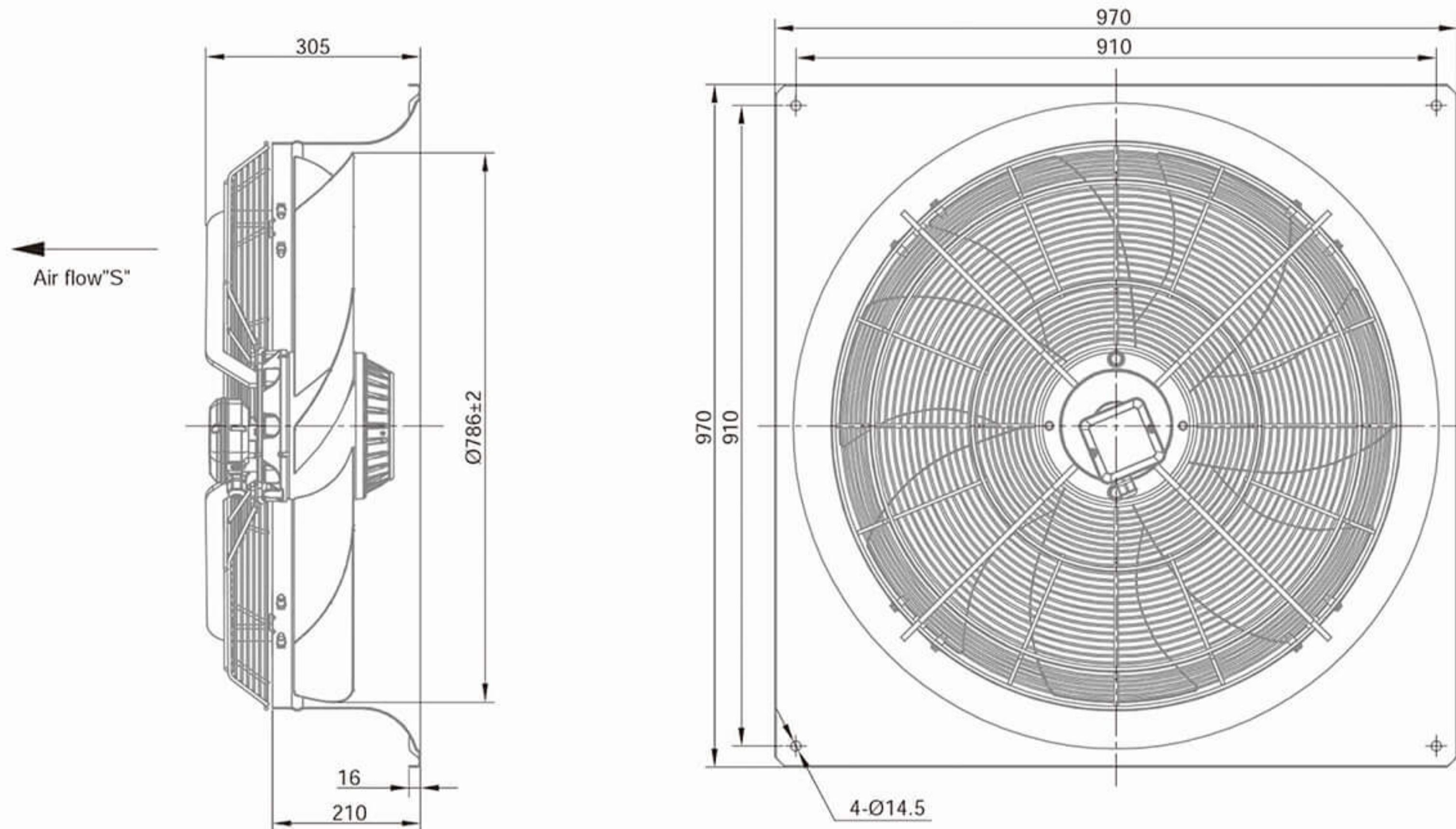


Flow Rate Curve



Product Characteristic

Motor technology: AC Outer rotor
 Mode of Operation: S1
 Protection Class: IP54
 Insulation Class: F
 Bearings: Maintenance-free ball bearings
 Blades Material: Cold rolled sheet steel
 Blades count: 7
 Air direction: seen on the leads

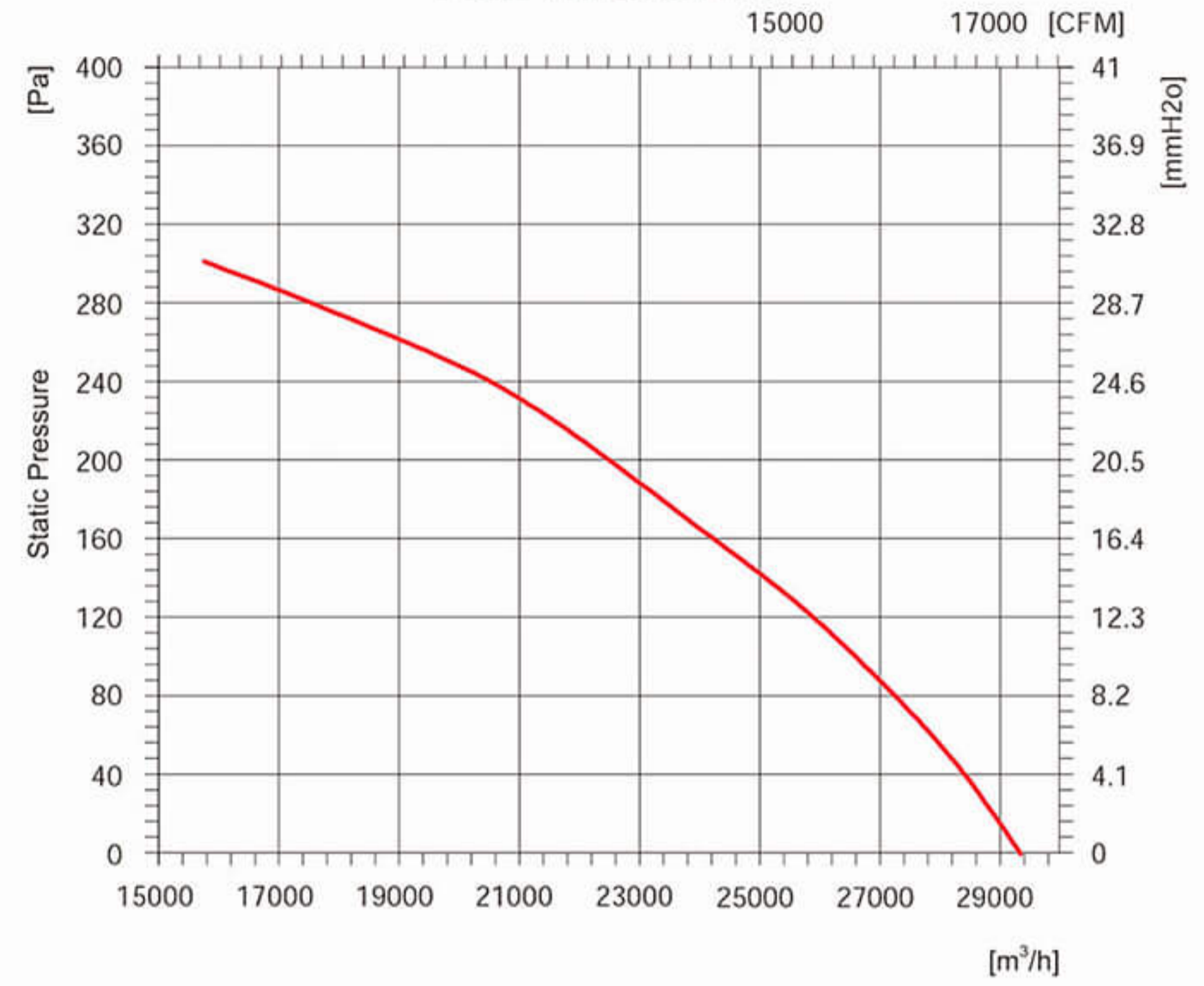


Model	Voltage (V)	Frequency (Hz)	Input Power (W)	Current (A)	Air Volume (m ³ /h)	Speed (r/min)	Capacitor (μF)	Noise [dB(A)]	Max Environmental Temperature(°C)	Weight (Kg)
BMF- 6K800-ZF02	460	60	2600	3.8	25500	1020	-	82	70	51.0

AC Axial Fans $\Phi 800$

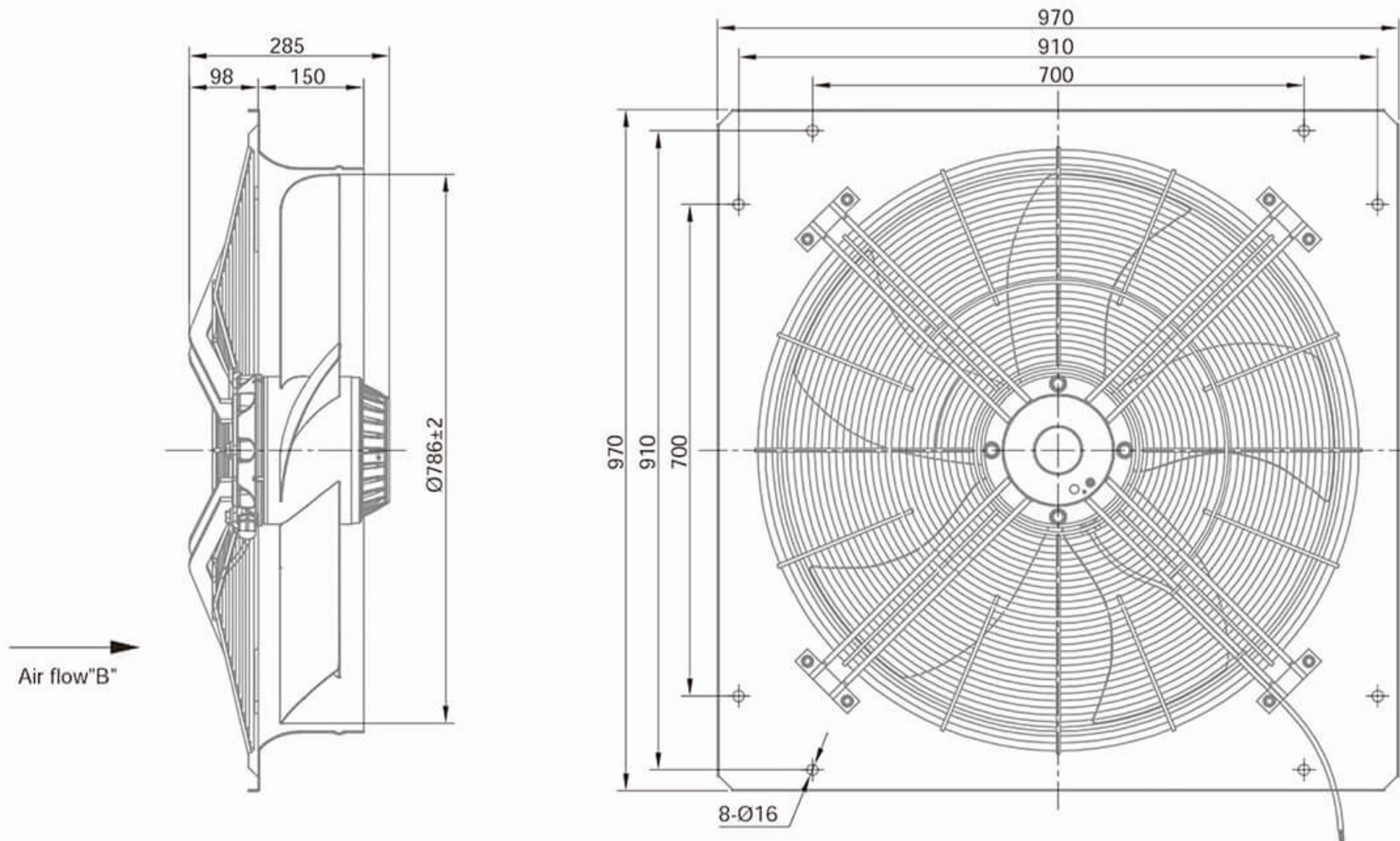


Flow Rate Curve



Product Characteristic

Motor technology: AC Outer rotor
 Mode of Operation: S1
 Protection Class: IP54
 Insulation Class: F
 Bearings: Maintenance-free ball bearings
 Blades Material: Cold rolled sheet steel
 Blades count: 5
 Air direction: seen on the leads

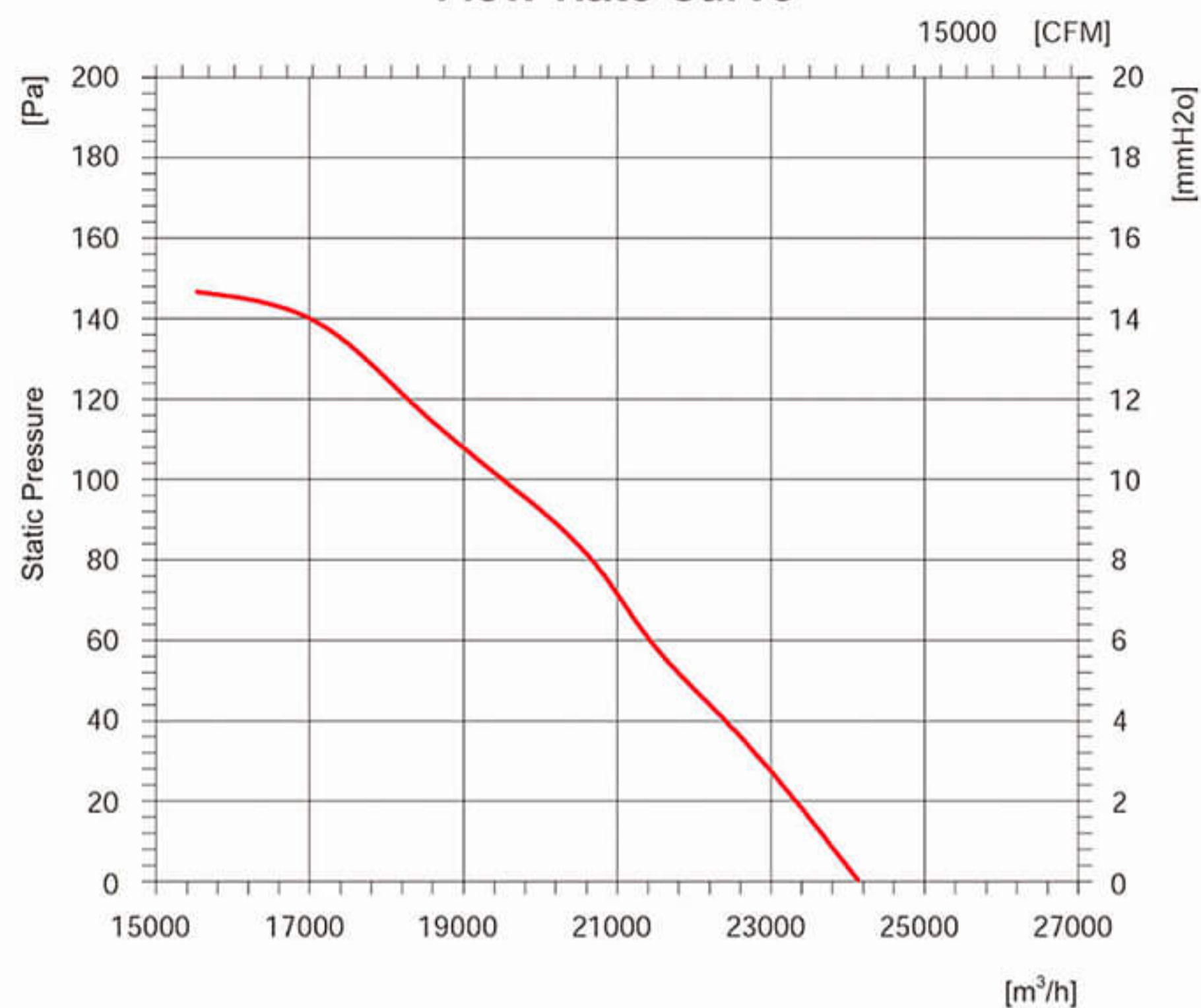


Model	Voltage (V)	Frequency (Hz)	Input Power (W)	Current (A)	Air Volume (m³/h)	Speed (r/min)	Capacitor (µF)	Noise [dB(A)]	Max Environmental Temperature(°C)	Weight (Kg)
BMF-4D800-ZF	400	50	4000	7.0	30000	1380	-	88	80	58.0

AC Axial Fans $\Phi 800$

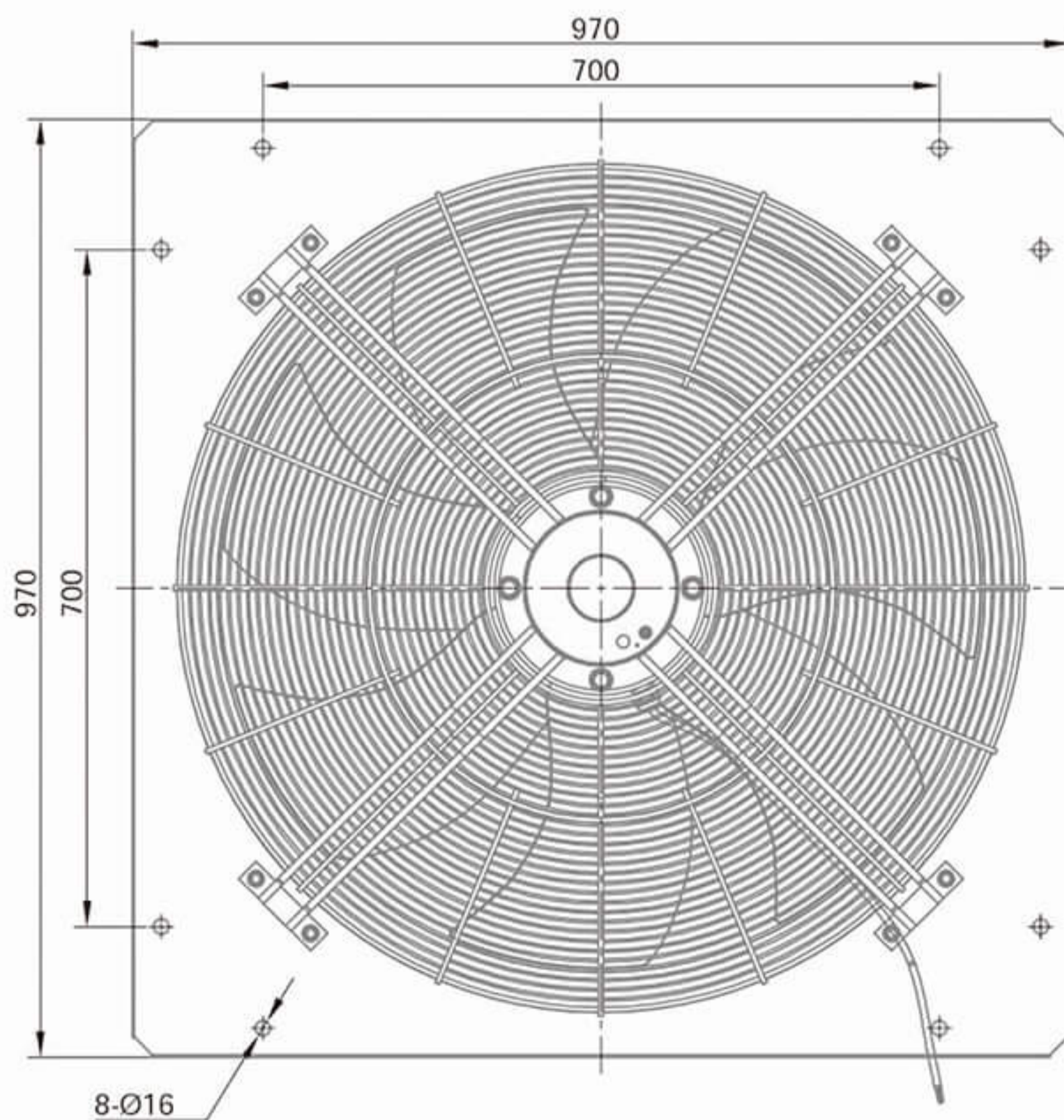
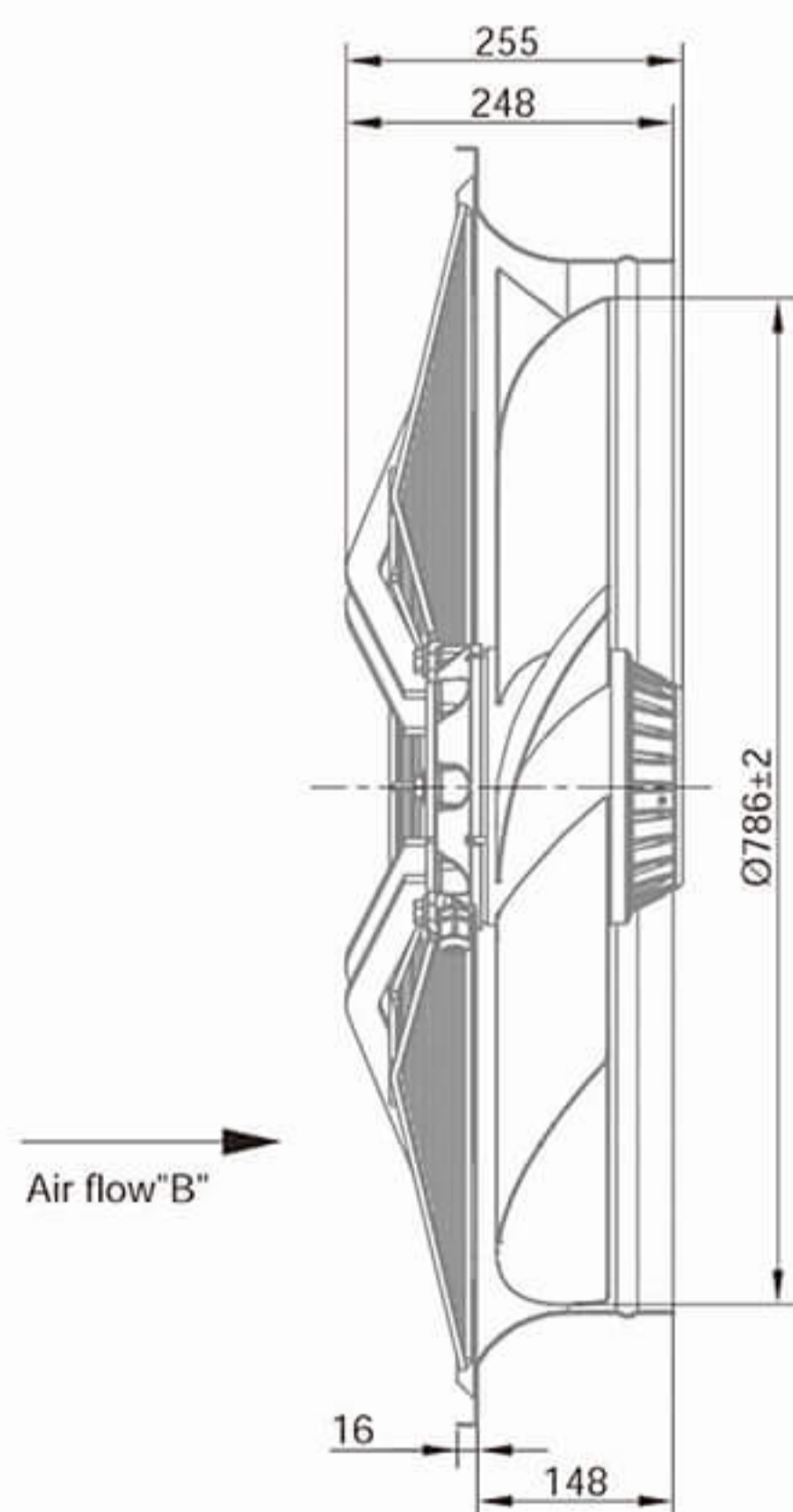


Flow Rate Curve



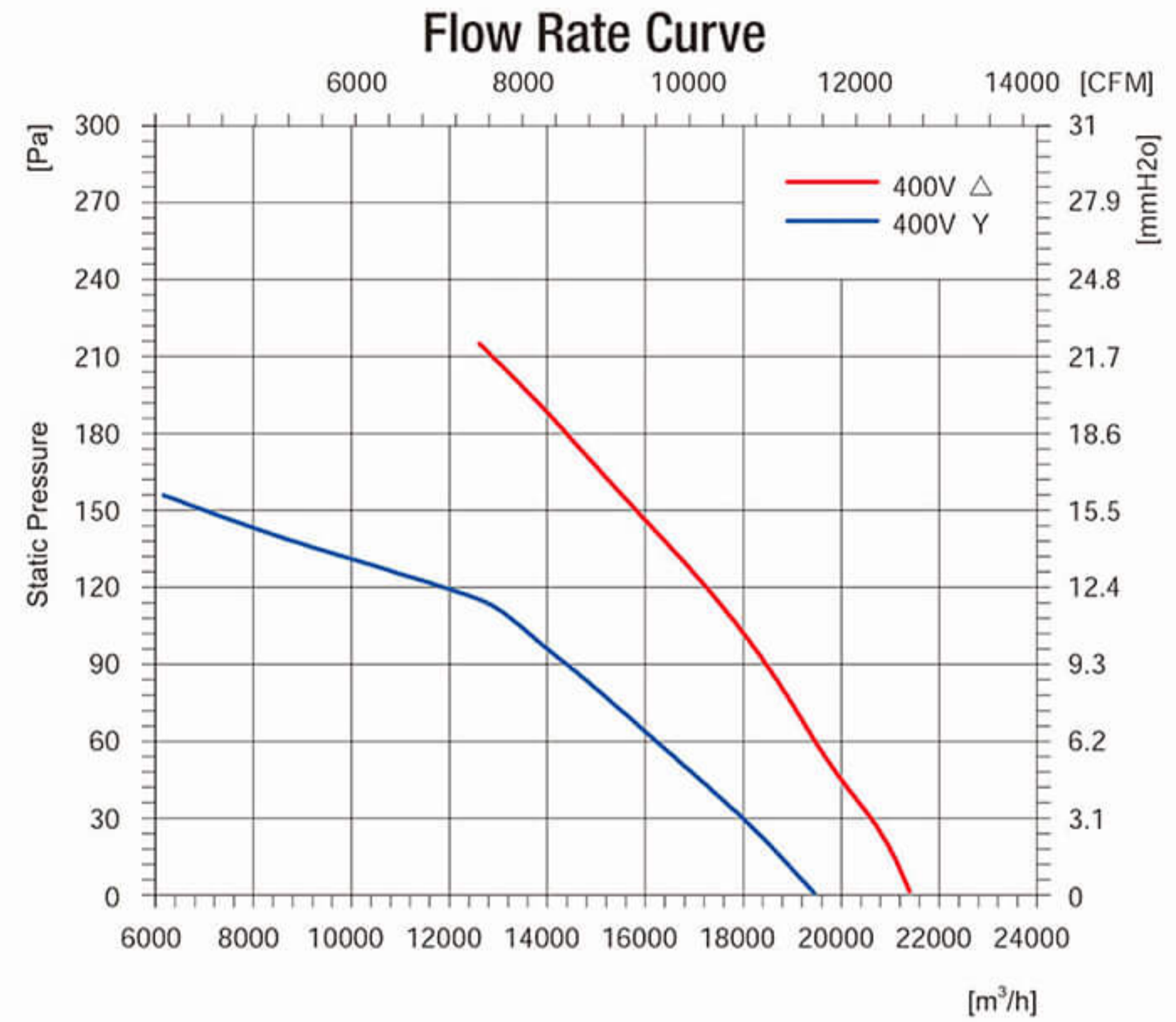
Product Characteristic

Motor technology: AC Outer rotor
 Mode of Operation: S1
 Protection Class: IP54
 Insulation Class: F
 Bearings: Maintenance-free ball bearings
 Blades Material: Cold rolled sheet steel
 Blades count: 7
 Air direction: seen on the leads



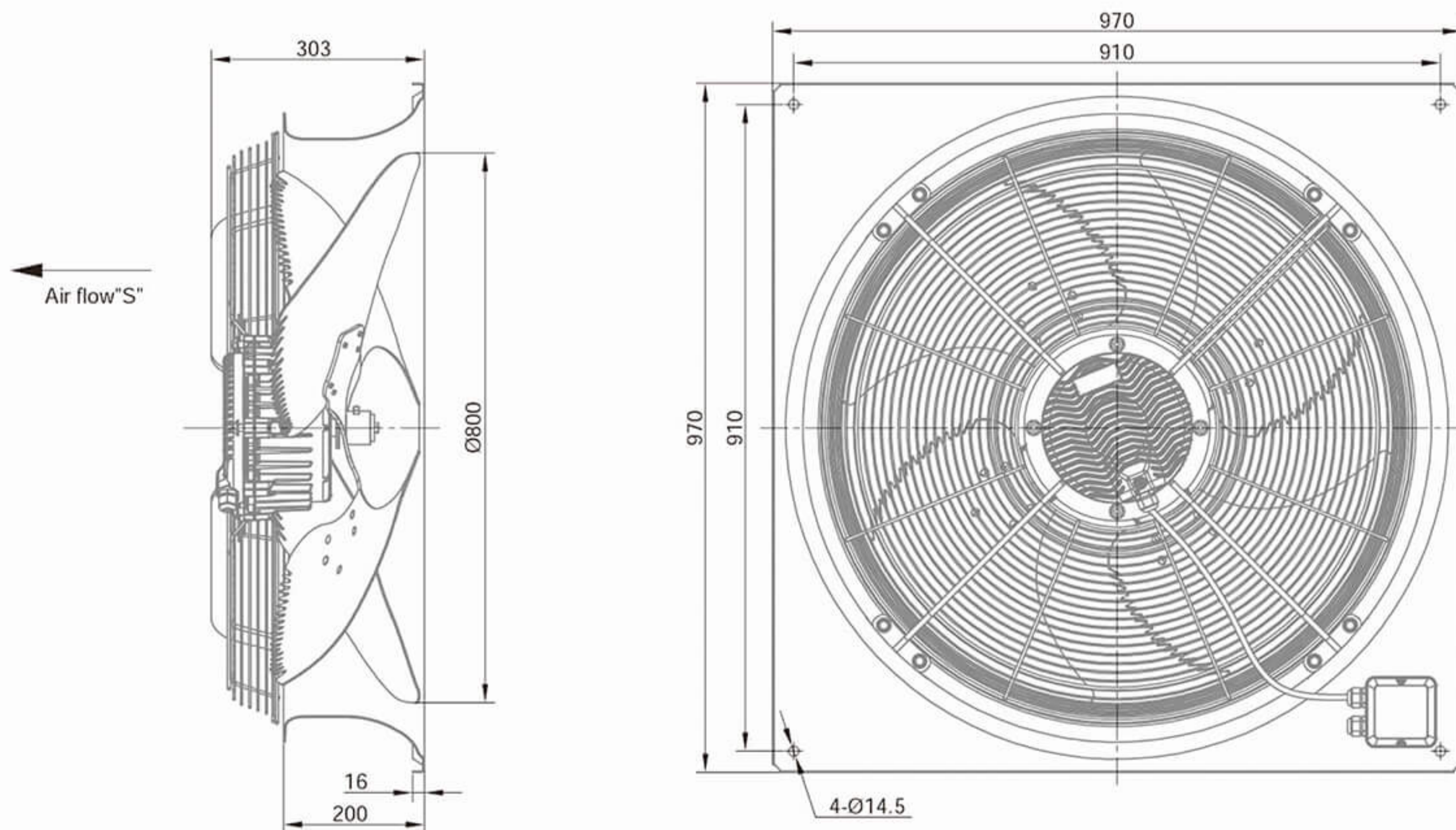
Model	Voltage (V)	Frequency (Hz)	Input Power (W)	Current (A)	Air Volume (m³/h)	Speed (r/min)	Capacitor (µF)	Noise [dB(A)]	Max Environmental Temperature(°C)	Weight (Kg)
BMF- 6K800-ZF05-B7B	460	60	2600	3.8	24100	1020	-	82	60	51.0

AC Axial Fans $\Phi 800$



Product Characteristic

- Motor technology: AC Inner rotor
- Mode of Operation: S1
- Protection Class: IP55
- Insulation Class: F
- Bearings: Maintenance-free ball bearings
- Blades Material: Sheet aluminium
- Blades count: 4
- Air direction: Suction, seen on the leads
- High efficiency and low noise

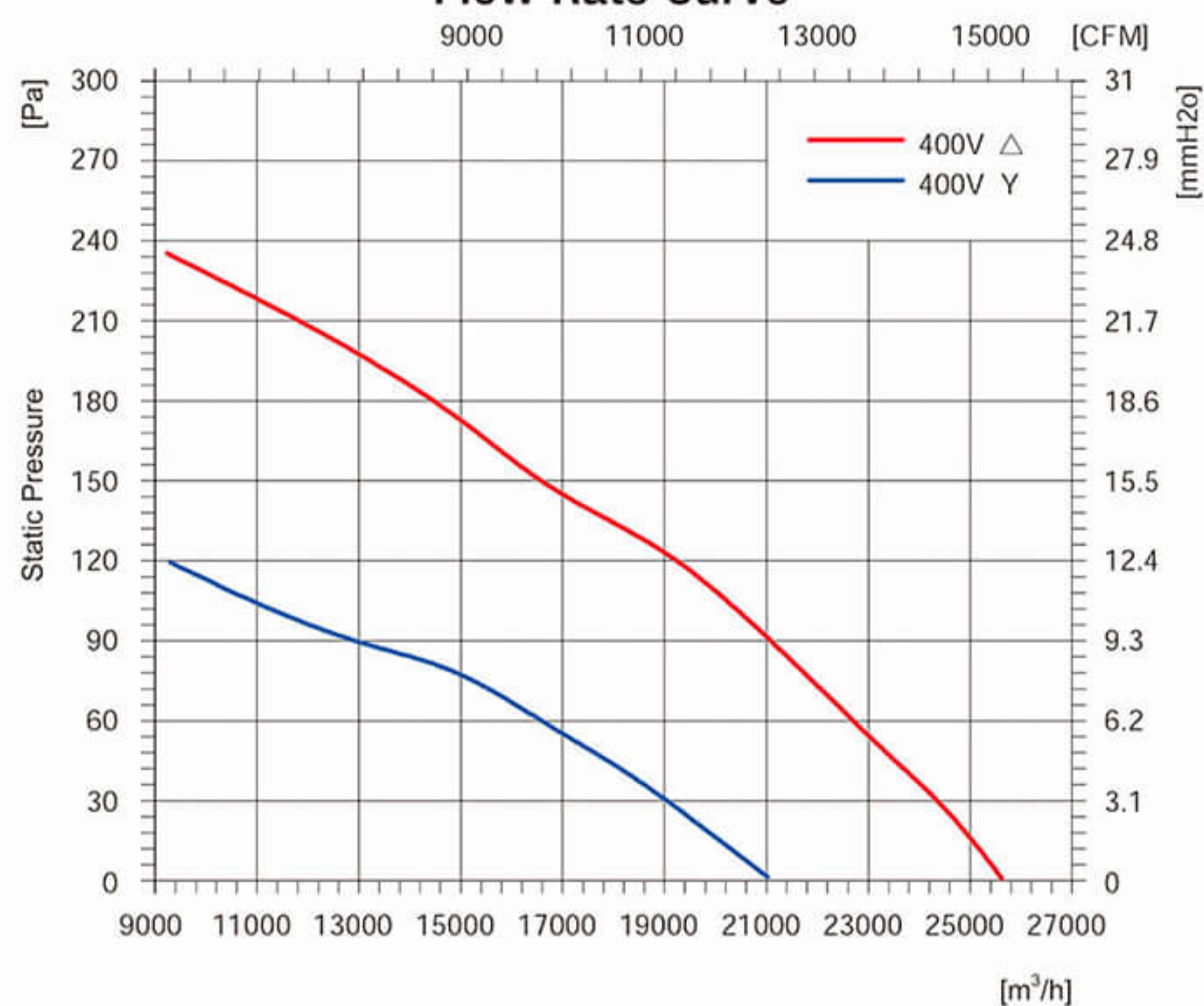


Model	Voltage (V)	Frequency (Hz)	Input Power (W)	Current (A)	Air Volume (m³/h)	Speed (r/min)	Capacitor (μF)	Noise [dB(A)]	Max Environmental Temperature (°C)	Weight (Kg)
BMF-6D800-ZF-S4I	380 Δ/Y	50	1750/1400	3.5/2.5	21500	940/800	-	78	50	46.0

AC Axial Fans $\Phi 910$

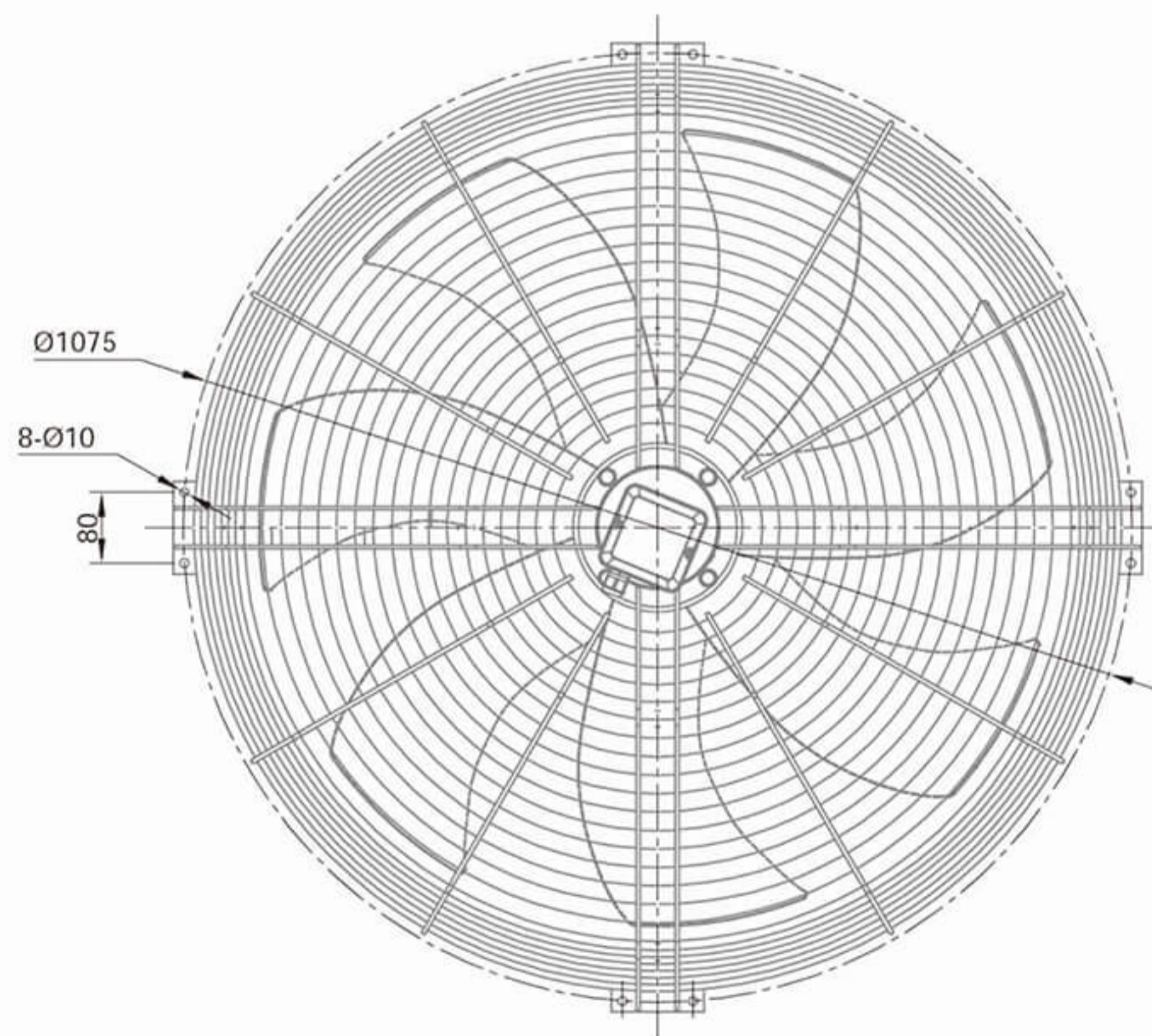
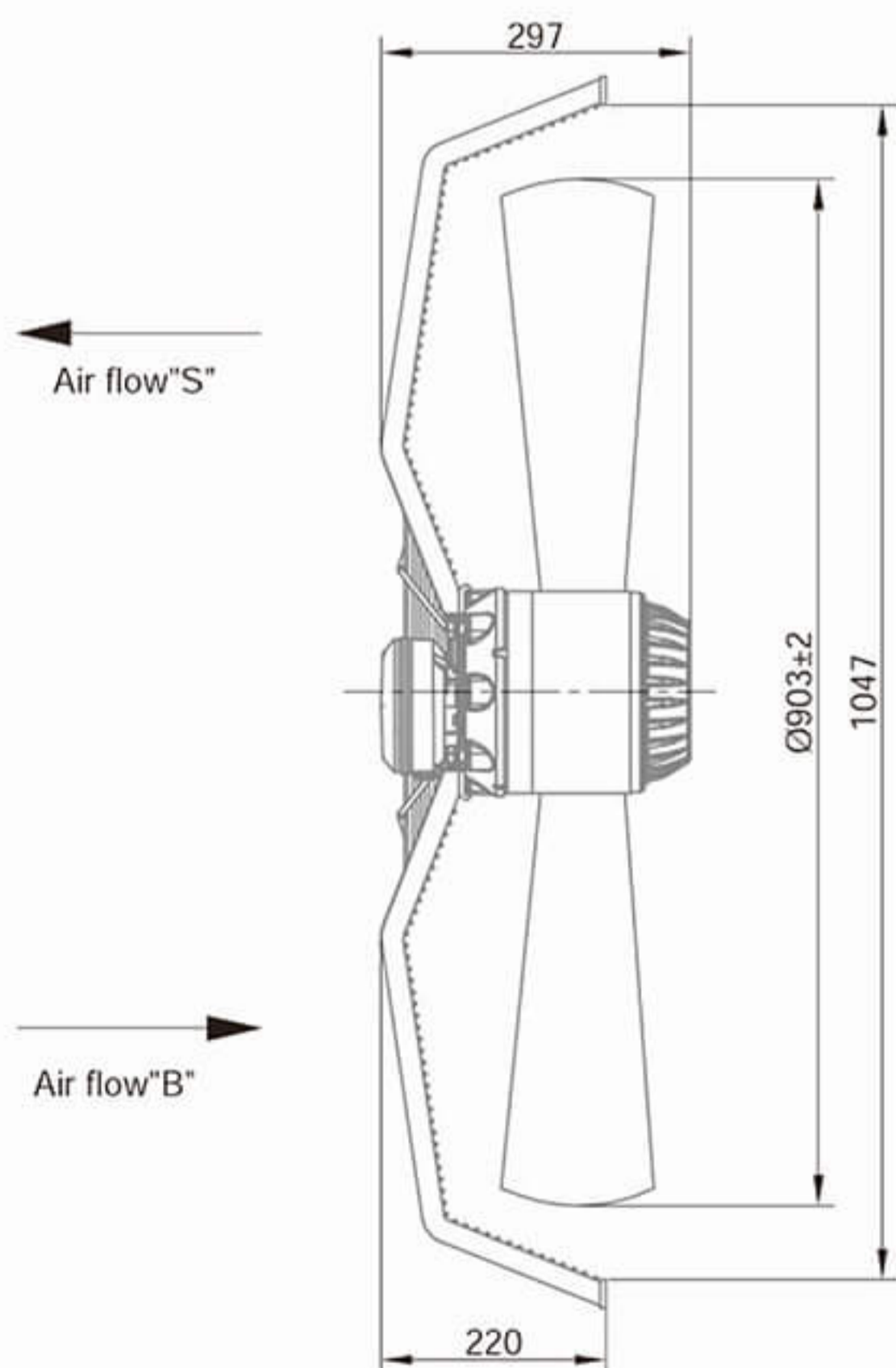


Flow Rate Curve



Product Characteristic

Motor technology: AC Outer rotor
 Mode of Operation: S1
 Protection Class: IP54
 Insulation Class: F
 Bearings: Maintenance-free ball bearings
 Blades Material: Cold rolled sheet steel
 Blades count: 7
 Air direction: seen on the leads

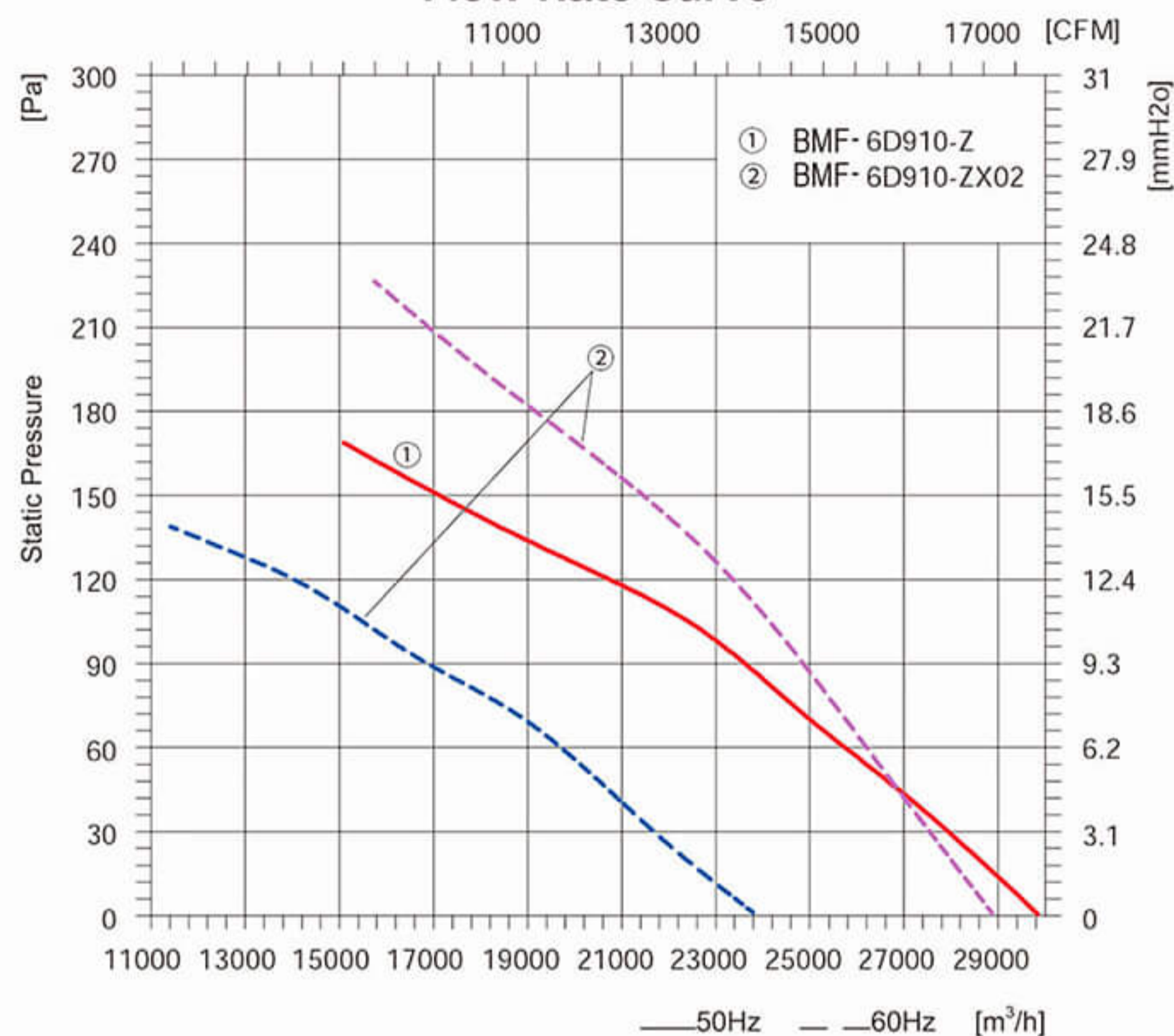


Model	Voltage (V)	Frequency (Hz)	Input Power (W)	Current (A)	Air Volume (m³/h)	Speed (r/min)	Capacitor (µF)	Noise [dB(A)]	Max Environmental Temperature(°C)	Weight (Kg)
BMF-6D910-ZX04	400 Δ/Y	50	2450/1550	4.7/2.6	25500/21000	870/670	-	82/75	50	38.0

AC Axial Fans $\Phi 910$

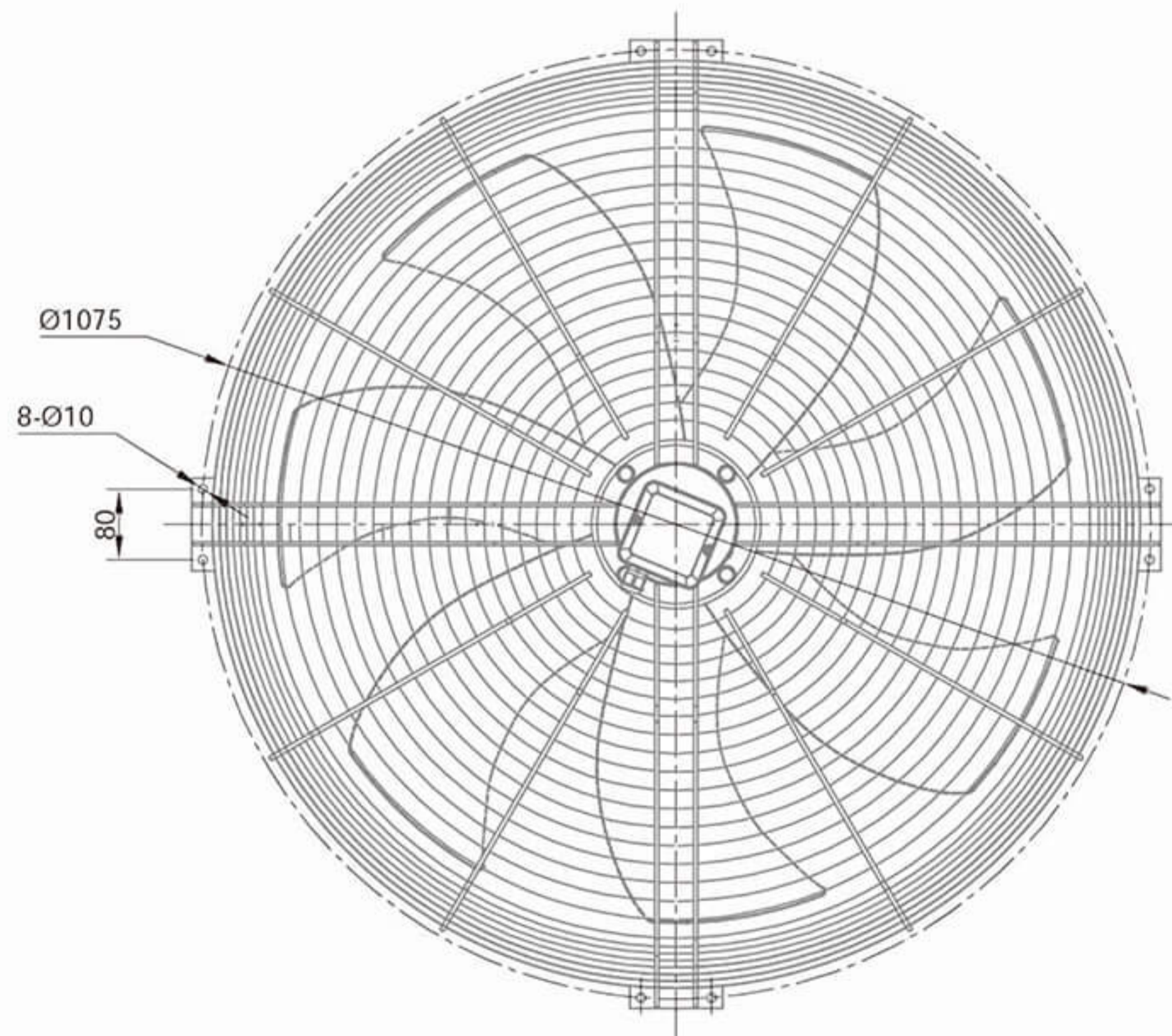
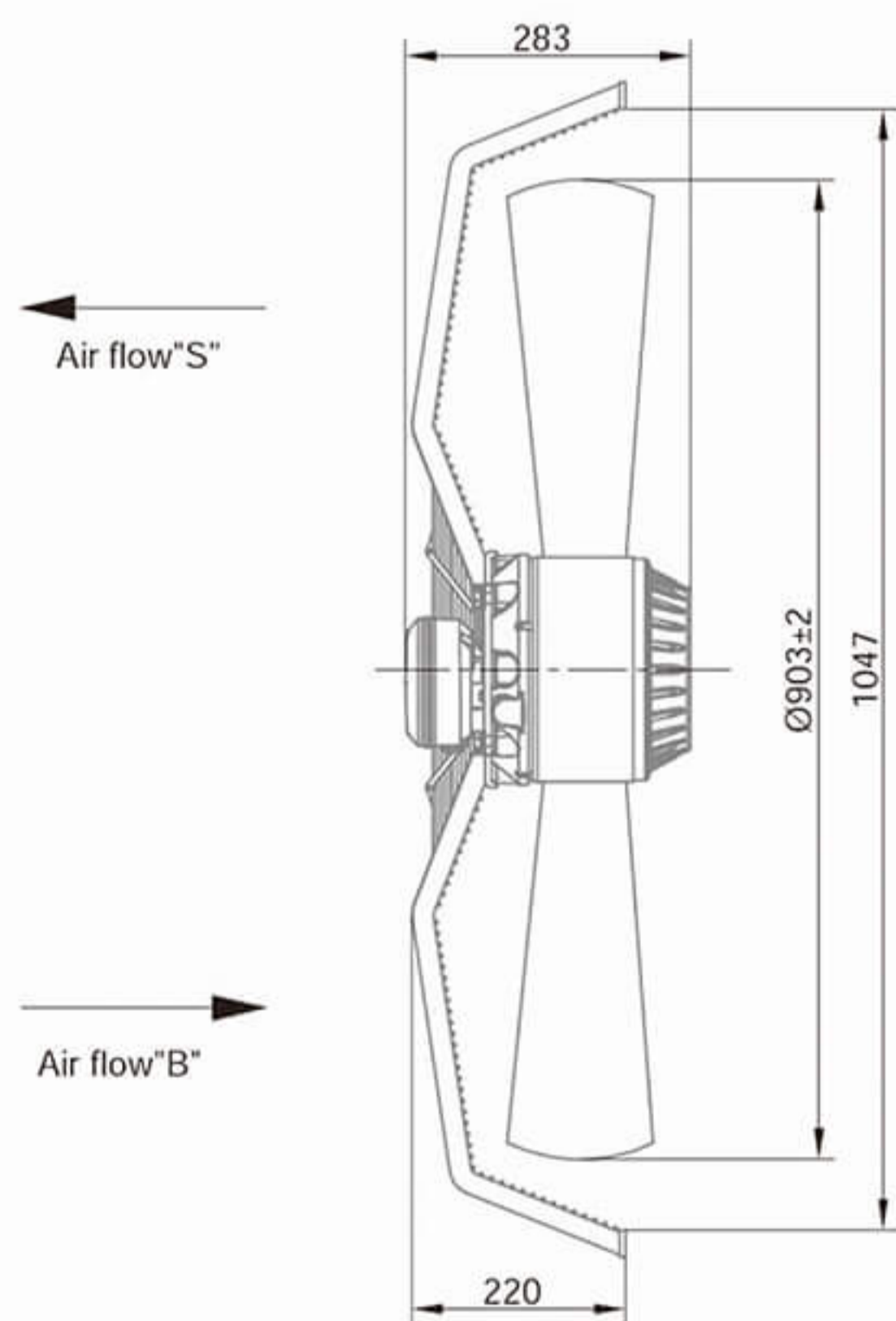


Flow Rate Curve



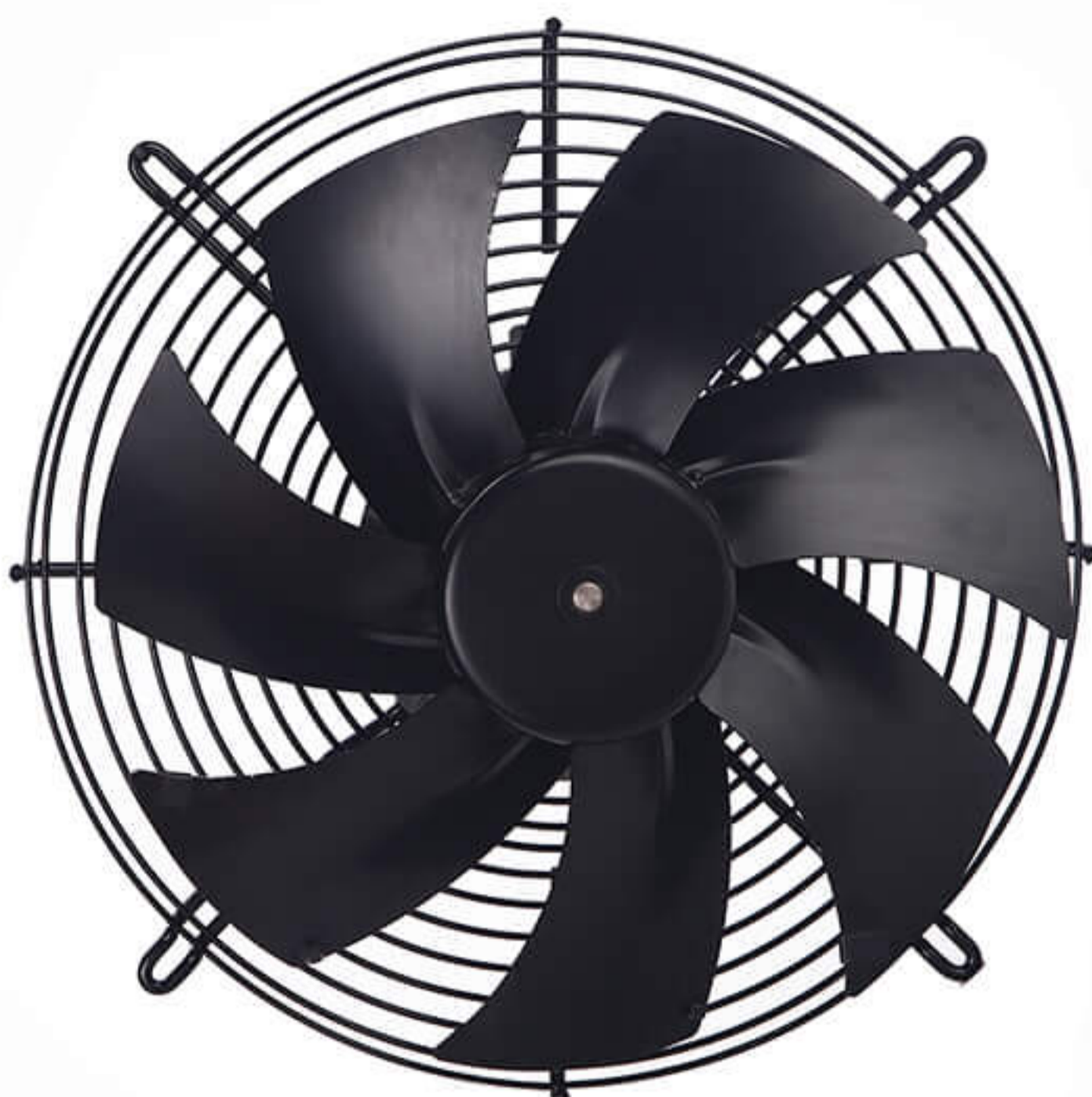
Product Characteristic

- Motor technology: AC Outer rotor
- Mode of Operation: S1
- Protection Class: IP54
- Insulation Class: F
- Bearings: Maintenance-free ball bearings
- Blades Material: Cold rolled sheet steel
- Blades count: 7
- Air direction: seen on the leads

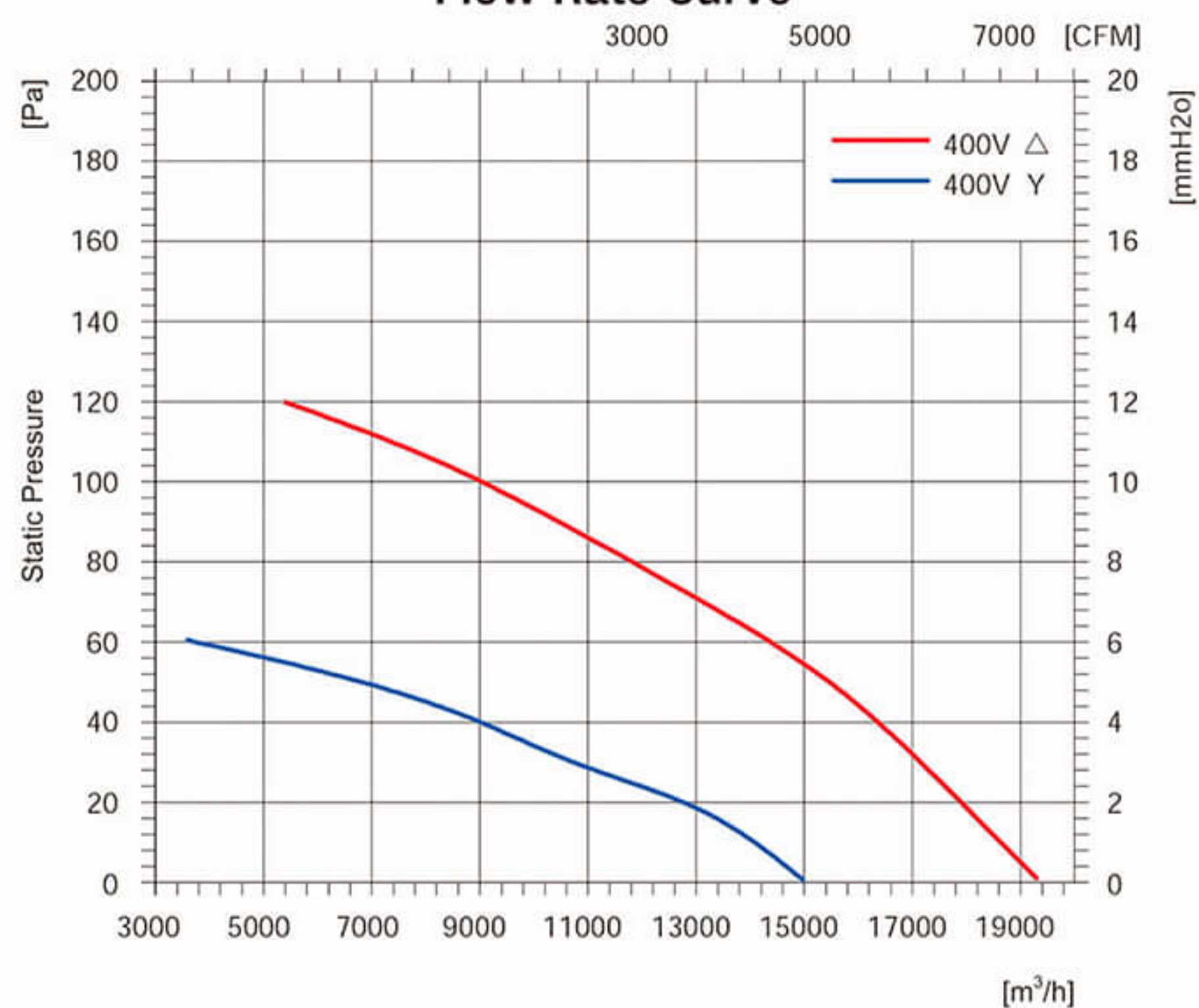


Model	Voltage (V)	Frequency (Hz)	Input Power (W)	Current (A)	Air Volume (m³/h)	Speed (r/min)	Capacitor (µF)	Noise [dB(A)]	Max Environmental Temperature(°C)	Weight (Kg)
BMF-6D910-Z	400	50	3100	5.4	30000	890	-	82	60	42.0
BMF-6D910-ZX02	400 Δ/Y	60	3000/2000	5.1/3.4	29000/24000	1040/830	-	86/79	60	42.0

AC Axial Fans $\Phi 910$

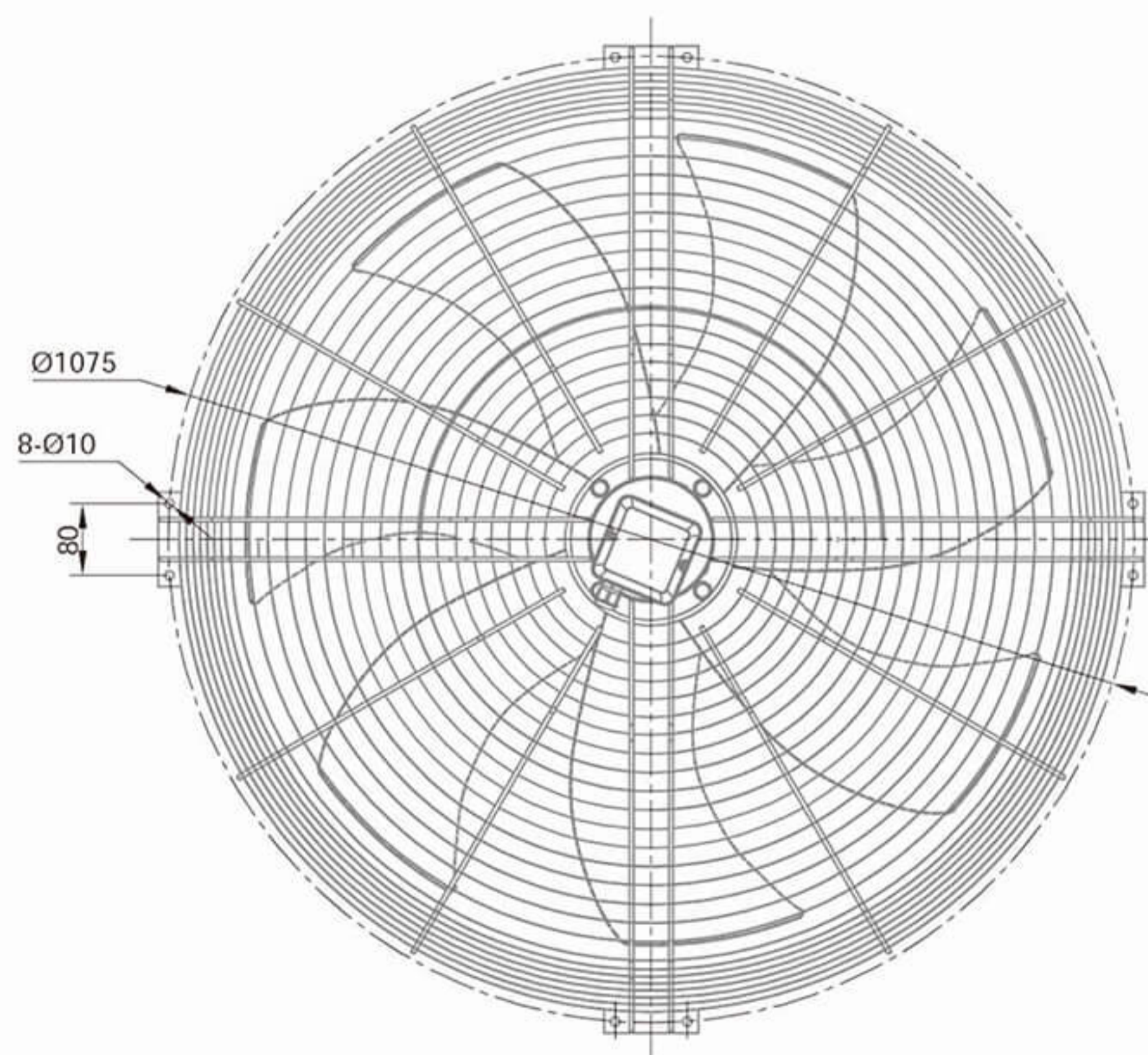
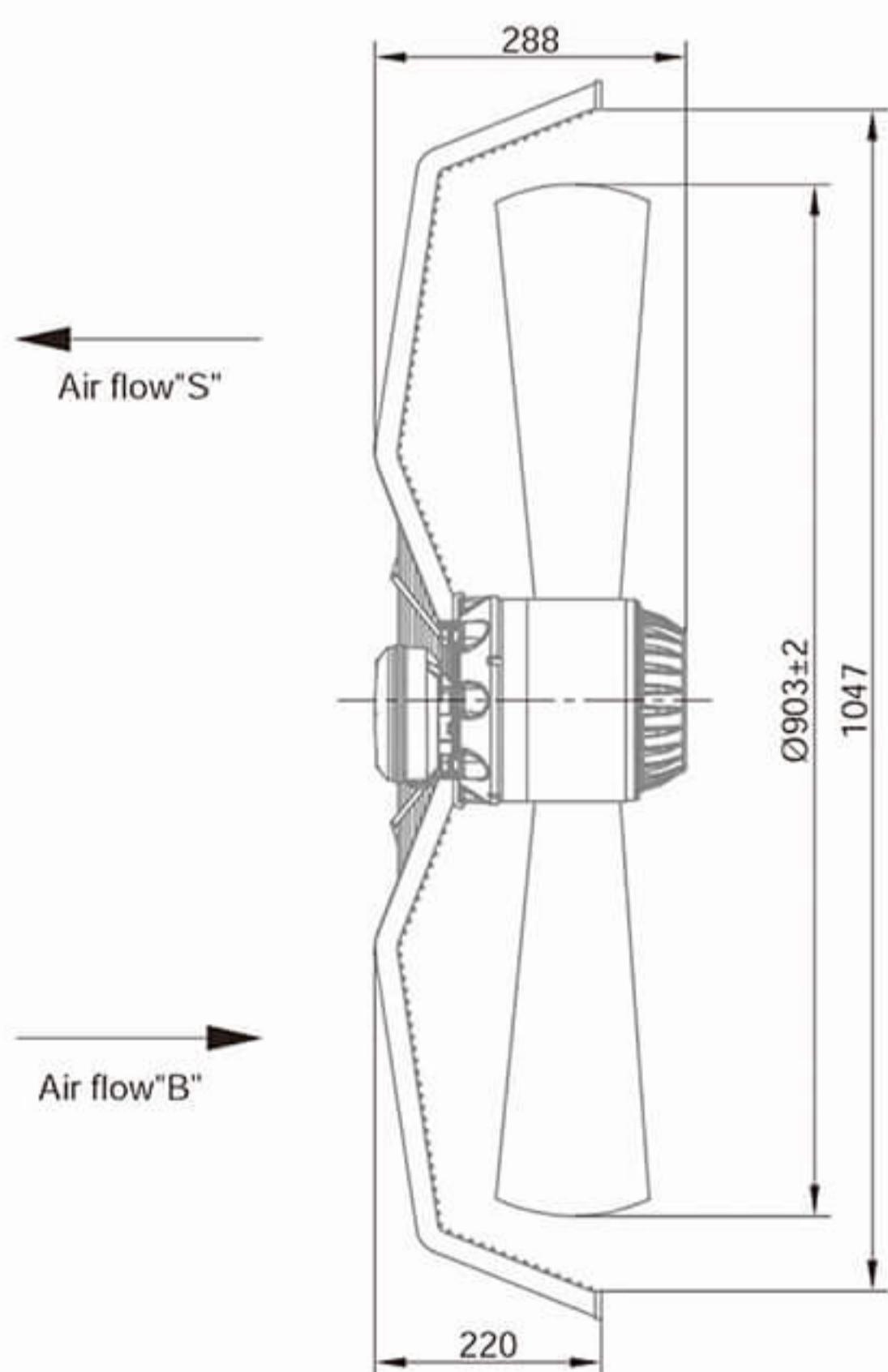


Flow Rate Curve



Product Characteristic

Motor technology: AC Outer rotor
 Mode of Operation: S1
 Protection Class: IP54
 Insulation Class: F
 Bearings: Maintenance-free ball bearings
 Blades Material: Cold rolled sheet steel
 Blades count: 7
 Air direction: seen on the leads

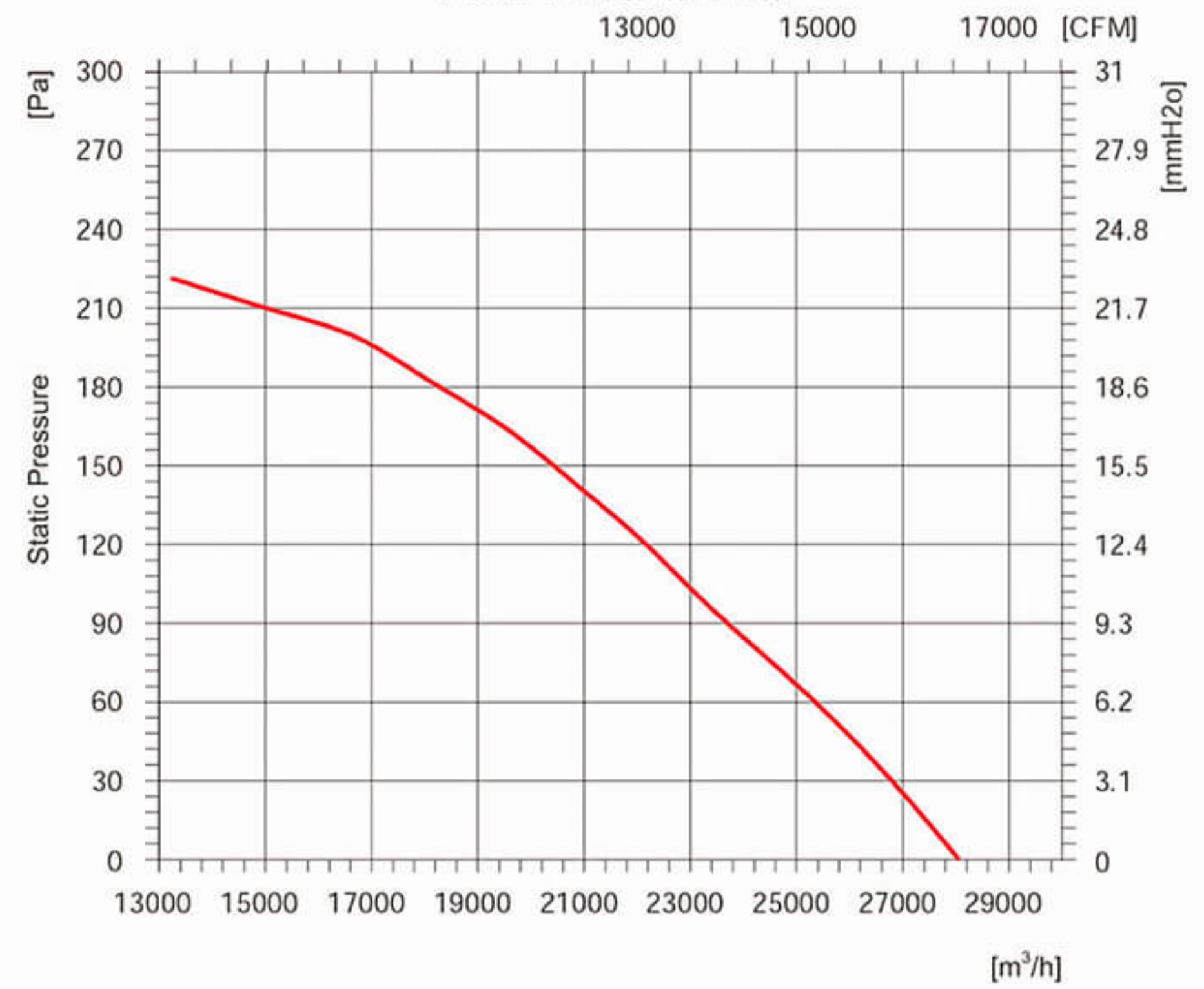


Model	Voltage (V)	Frequency (Hz)	Input Power (W)	Current (A)	Air Volume (m³/h)	Speed (r/min)	Capacitor (μF)	Noise [dB(A)]	Max Environmental Temperature(°C)	Weight (Kg)
BMF-8D910-Z	400 Δ/Y	50	1000/580	2.2/1.1	19500/15000	650/470	-	73/67	60	33.4

AC Axial Fans $\Phi 910$

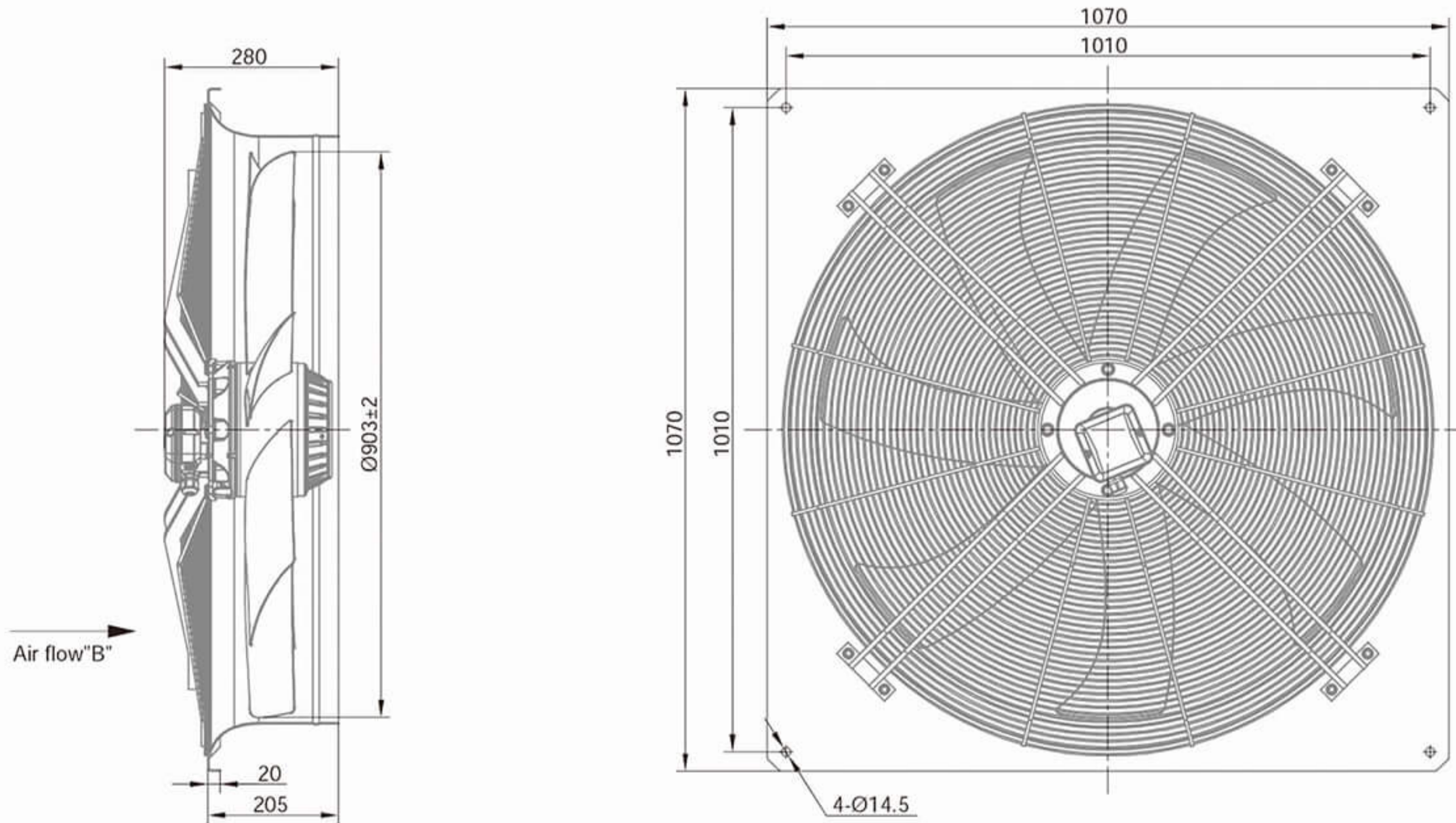


Flow Rate Curve



Product Characteristic

Motor technology: AC Outer rotor
 Mode of Operation: S1
 Protection Class: IP54
 Insulation Class: F
 Bearings: Maintenance-free ball bearings
 Blades Material: Cold rolled sheet steel
 Blades count: 7
 Air direction: seen on the leads

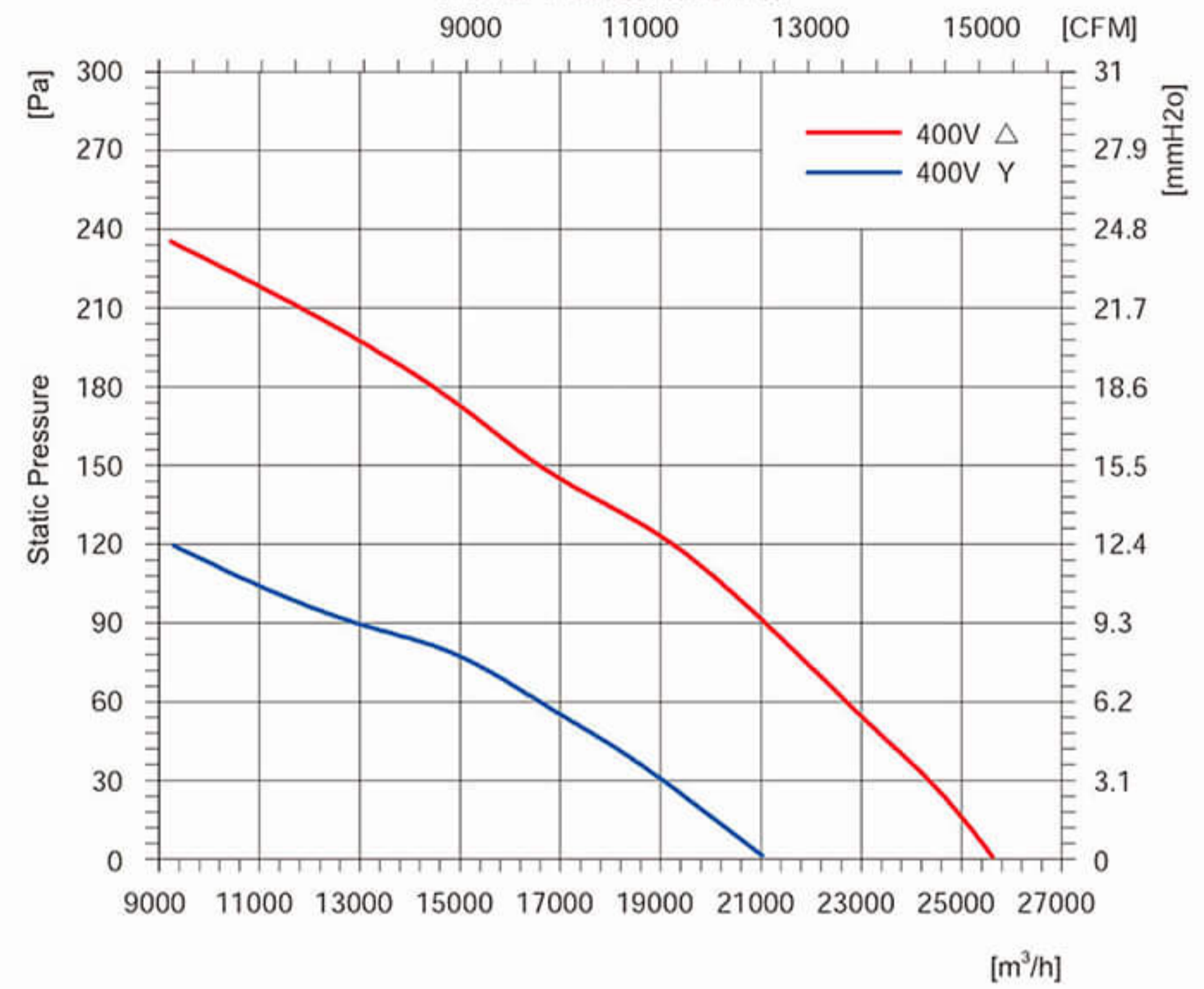


Model	Voltage (V)	Frequency (Hz)	Input Power (W)	Current (A)	Air Volume (m ³ /h)	Speed (r/min)	Capacitor (μF)	Noise [dB(A)]	Max Environmental Temperature(°C)	Weight (Kg)
BMF-6D910-ZF01	400	50	2700	5.0	28000	910	-	82	60	54.0

AC Axial Fans $\Phi 910$

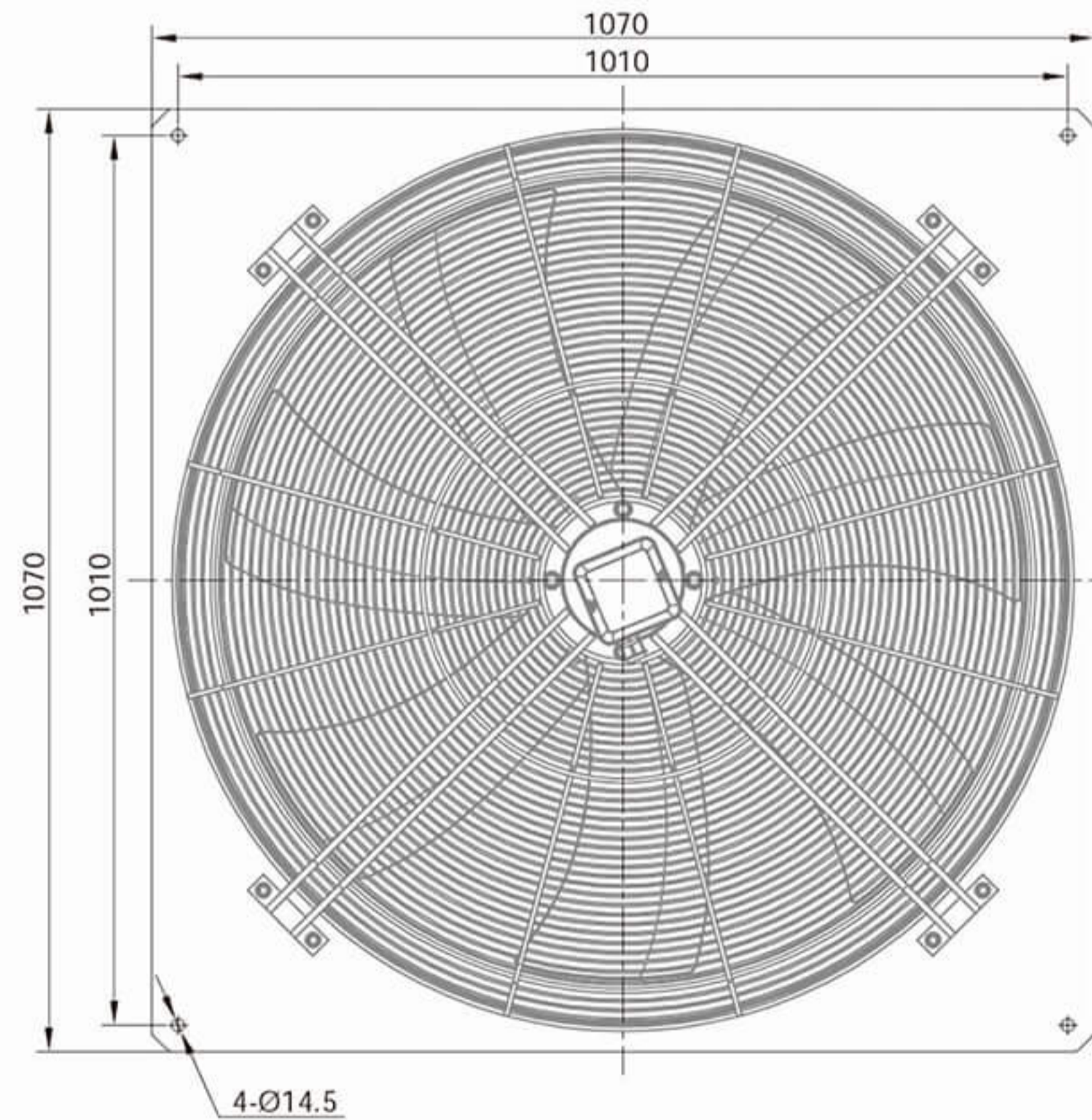
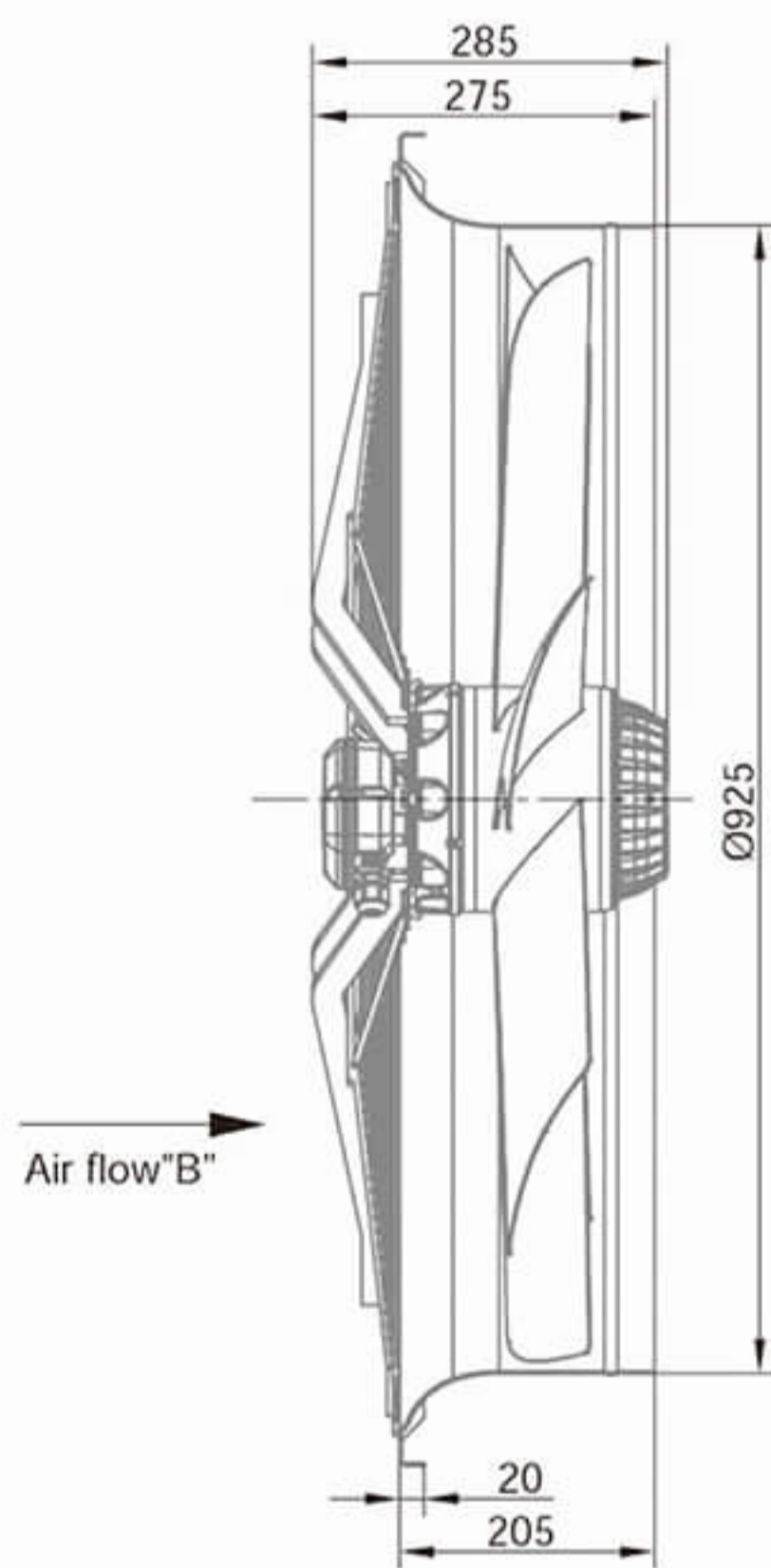


Flow Rate Curve



Product Characteristic

Motor technology: AC Outer rotor
 Mode of Operation: S1
 Protection Class: IP54
 Insulation Class: F
 Bearings: Maintenance-free ball bearings
 Blades Material: Cold rolled sheet steel
 Blades count: 7
 Air direction: seen on the leads



Model	Voltage (V)	Frequency (Hz)	Input Power (W)	Current (A)	Air Volume (m³/h)	Speed (r/min)	Capacitor (µF)	Noise [dB(A)]	Max Environmental Temperature(°C)	Weight (Kg)
BMF-6D910-ZF04-B7E	400 Δ/Y	50	2450/1550	4.7/2.6	25500/21000	870/670	-	82/75	50	50.5